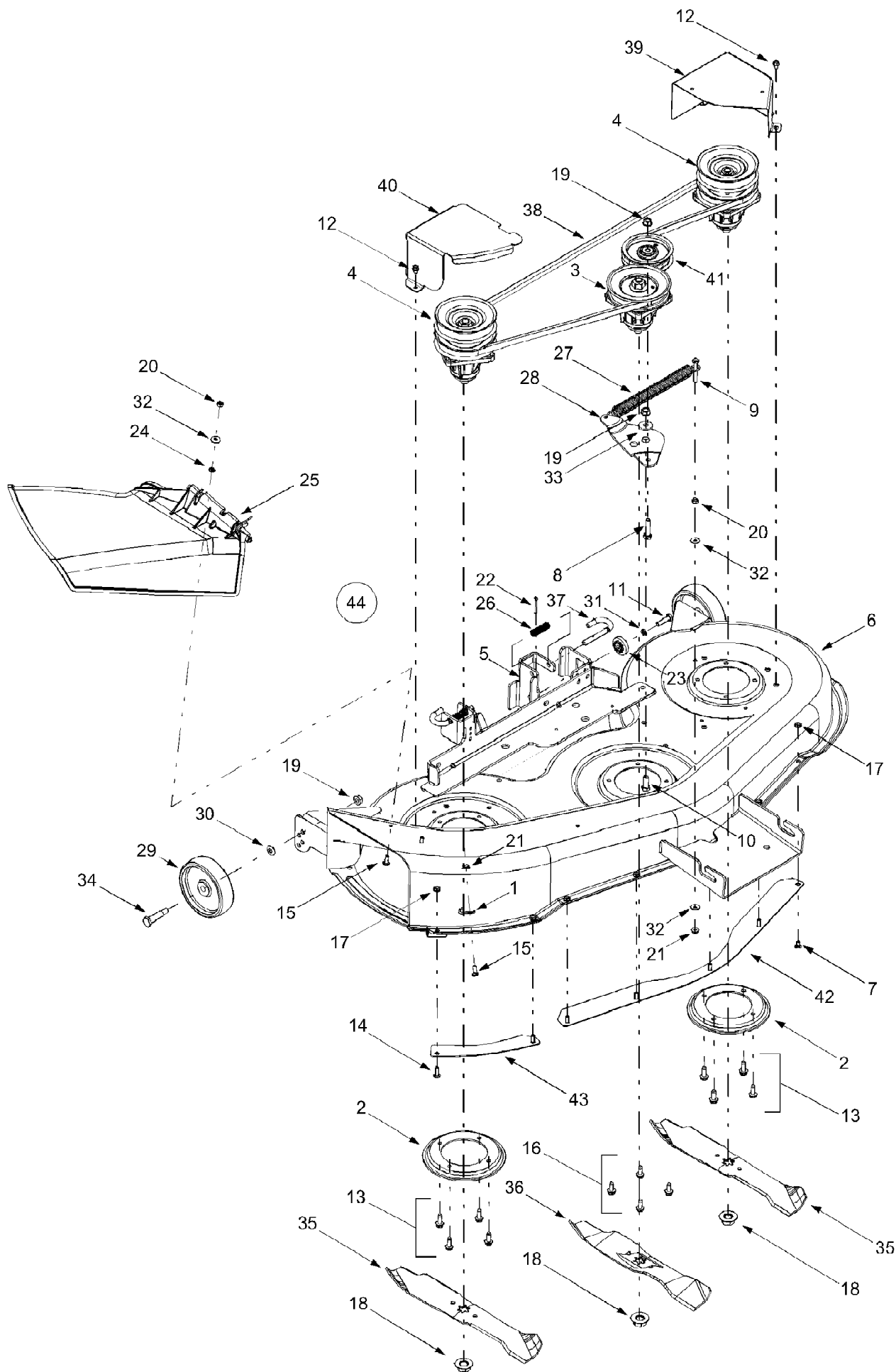


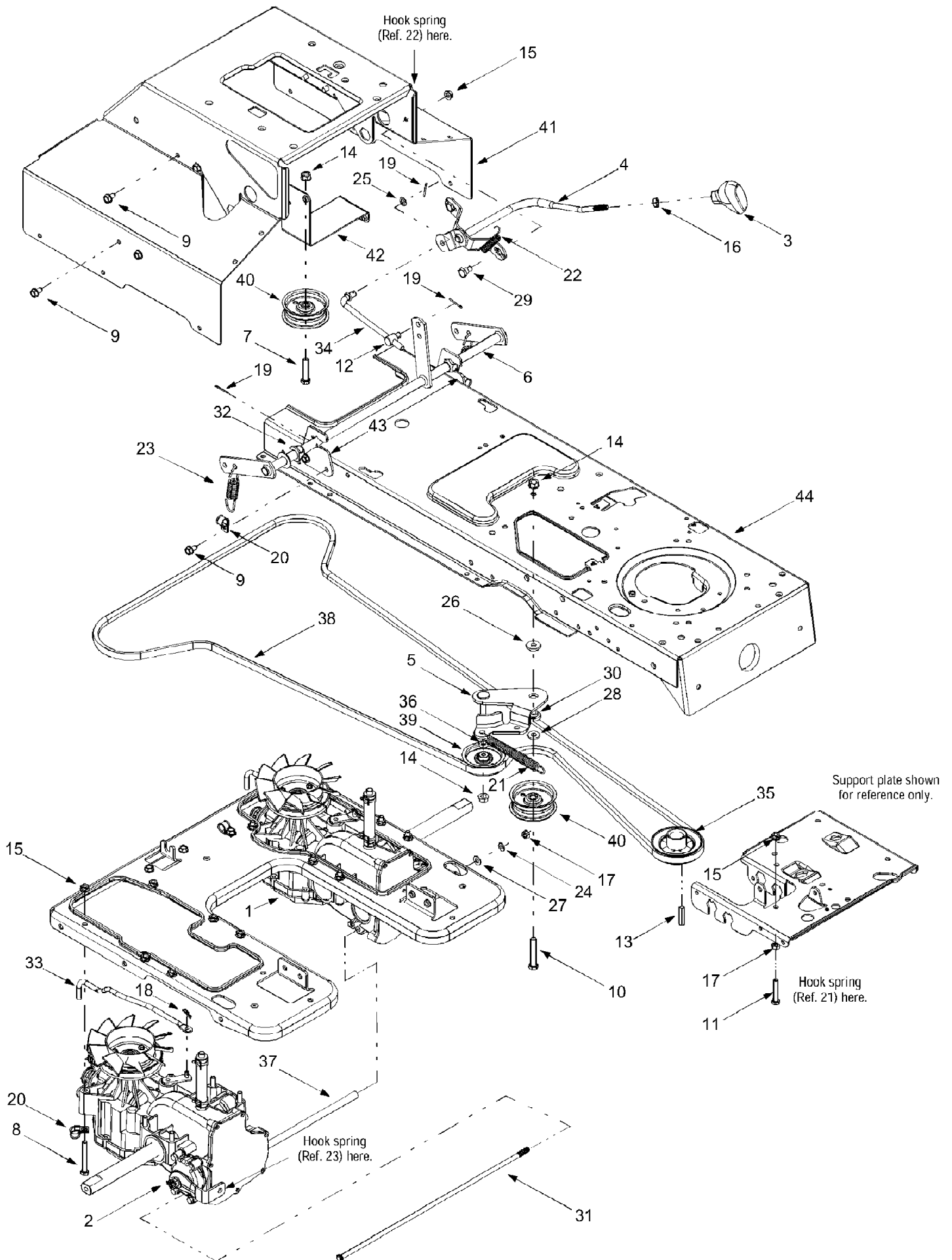
ZTT-2150 (2001)
46" Deck Assembly



ZTT-2150 (2001)
46" Deck Assembly

Page 2 of 20

Ref #	Part Number	Qty	S/P/F	Description
1	16606	1	S	Retainer Hook
2	17982	1	S	Spindle Reinforcement Plate
3	618-0430A	1	S	Spindle Assembly, 5.0 Dia. w/Fitting
	756-1187	1		Pulley Only
4	618-0431	1	S	Double Pulley Spindle Assembly w/Fitting
	756-0603	1	/P	Pulley Only
5	683-0254	1	S	Deck Adjustment Bracket w/ Weld Nut
6	683-0265C	1	/P	46-inch Deck Shell
7	710-0167	1	/P	Carriage Screw, 1/4-20 x .50
8	710-0344	1	/P	Hex Cap Screw, 3/8-16 x 1.5
9	710-0501	1	/P	Hex Cap Screw, 1/4-20 x 2.0
10	710-0514	1	/P	Hex Cap Screw, 3/8-16 x 1.0
11	710-0528	1	/P	Hex Cap Screw, 5/8-18 x 1.25
12	710-0599	1	/P	Self-tapping Screw, 1/4-20 x .5
13	710-0650	1	/P	Self-tapping Screw, 15/16-18 x .875
14	710-0703	1	/P	Hex Screw, 1/4-20 x .75
15	710-0751	1	/P	Hex Cap Screw, 1/4-20 x .62
16	710-1260A	1	/P	Self-tapping Screw, 5/16-18 x .75
17	712-0271	1	/P	Hex Sems Nut, 1/4-20
18	712-0417A	1	/P	Hex Flange Nut, 5/8-18
19	712-0431	1	S	Flange Lock Nut, 3/8-16
20	712-3006	1	/P	Hex Nut, 1/4-20
21	712-3027	1	S	Hex Flange Lock Nut, 1/4-20
22	714-0470	1	S	Cotter Pin, 1/8 x 1.25
23	717-1553A	1	S	Deck Adjustment Gear
24	726-0233	1	/P	Push Nut. .25 x .5
25	731-1032B	1	S	Side Discharge Chute Assembly
26	732-0306	1	S	Compression Spring, .406 x .531 x 1.75
27	732-0594A	1	S	Extension Spring, .91 x 7.3
28	783-0139A	1	S	Idler Bracket
29	734-0973	1	/P	Deck Wheel, 5 x 1.38
30	736-0105	1	/P	Bell Washer, .401 x .87 x .063
31	736-0119	1	S	Lock Washer, 5/16
32	736-0270	1	/P	Bell Washer, .265 x .75 x .062
33	738-0347	1	S	Shoulder Spacer, .625 x 1.16
34	738-0373	1	S	Shoulder Screw
35	742-0611	1	S	Three-in-one Blade, Star Center, 16.28"
36	742-0612	1	S	Three-in-one Blade, Star Center, 14.88"
37	747-1116	1	/P	Deck Release Pin
38	754-0349	1	S	Deck Belt, Poly
39	783-0747	1	S	LH Belt Cover
40	783-0805A	1	S	RH Belt Cover
41	756-0627B	1	S	Idler Pulley, 3.5
42	783-0141	1		Center Deck Skirt
43	783-0142	1	S	RH Deck Skirt
44	753-0874	1	/P	46-inch Deck Assembly Complete

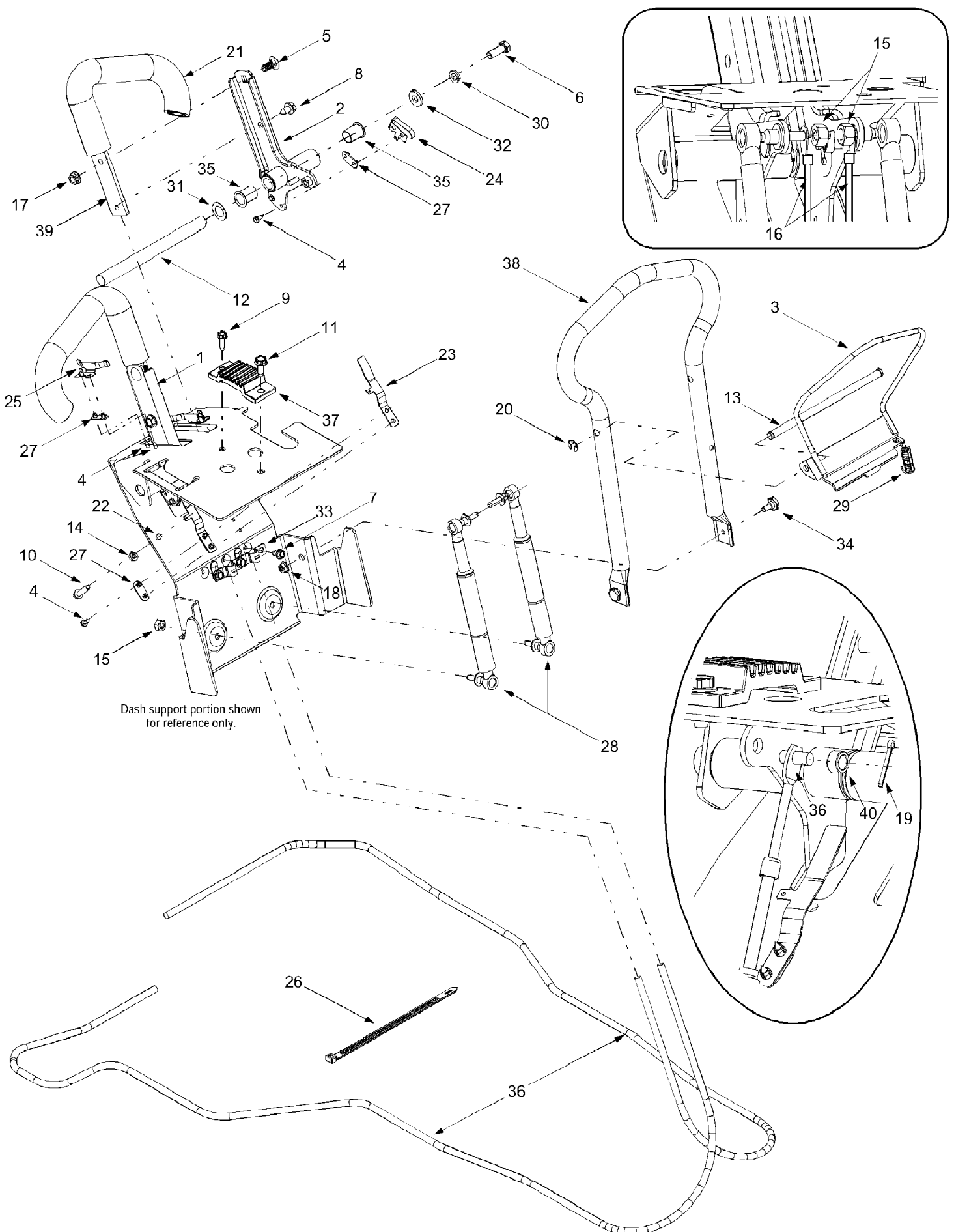


ZTT-2150 (2001)
Drive & Transmission

Page 4 of 20

Ref #	Part Number	Qty	S/P/F	Description
1	618-0437	1	S	LH IZT Transmission
2	618-0438	1	S	RH IZT Transmission
3	631-0009A	1	S	Knob
4	647-0051	1		Brake Lever Assembly
5	683-0251	1		Double-idler Bracket
6	683-0452A	1	/P	Brake Bracket Assembly
7	710-0347	1	/P	Hex Cap Screw, 3/8-16 x 1.75
8	710-0378	1	/P	Hex Cap Screw, 5/16-18 x 2.5
9	710-0604A	1	/P	Self-tapping Screw, 5/16-18 x .625
10	710-3011	1	/P	Hex Cap Screw, 3/8-16 x 2.25
11	710-3180	1	/P	Hex Cap Screw, 5/16-18 x 1.75
12	711-0832	1	S	Ferrule, 3/8-24 x .375
13	714-0118	1	/P	Square Key, 1/4 x 1.5
14	712-0431	1	S	Flange Lock Nut, 3/8-16
15	712-3004A	1	/P	Flange Lock Nut, 5/16-18
16	712-3008	1	S	Jam Nut, 3/8-16
17	712-3010	1	S	Hex Nut, 5/16-18
18	714-0104	1	S	Internal Cotter Pin, .072 x 1.12
19	714-0111	1	S	Cotter Pin, 3/32 x 1.0
20	726-0272	1	/P	Clamp, 9/16
21	732-0384	1	S	Extension Spring, .62 x 6.12
22	732-0433	1		Extension Spring, .5 x 2.75
23	732-1154A	1	/P	Disc Brake Spring
24	736-0119	1	S	Lock Washer, 5/16
25	736-0140	1	S	Flat Washer, .385 x .62 x .063
26	736-0258	1	/P	Flat Washer, .385 x 1.0 x .135
27	736-0275	1	S	Flat Washer, .344 x .688 x .065
28	736-3010	1		Flat Washer, .407 x .812 x .135
29	738-0141	1	S	Shoulder Screw, .435 x .350, 5/16-18
30	738-0372	1	S	Shoulder Spacer, .380
31	738-1155	1		Rod, .312 x 18.437
32	741-3065A	1	S	Split Hex Flange Bearing, .628
33	747-1222	1		Hydro Bypass Rod
34	747-1263A	1		Brake Link Rod
35	756-0978A	1	S	Engine Pulley
36	750-0535	1	S	Spacer, .376 x .625 x .220
37	750-1286	1		Spacer, .334 x .50 x 14.88
38	754-0491	1	S	Drive Belt, Poly
39	756-0116	1	S	V-Idler Pulley, 3.06
40	756-0981A	1	S	Flat Idler, 2.75
41	783-1044	1		Upper Frame
42	783-1145	1	S	Idler Support Bracket
43	783-1305	1	S	Brake Pivot Support Bracket
44	683-0314	1		Lower Frame

ZTT-2150 (2001)
Drive Controls

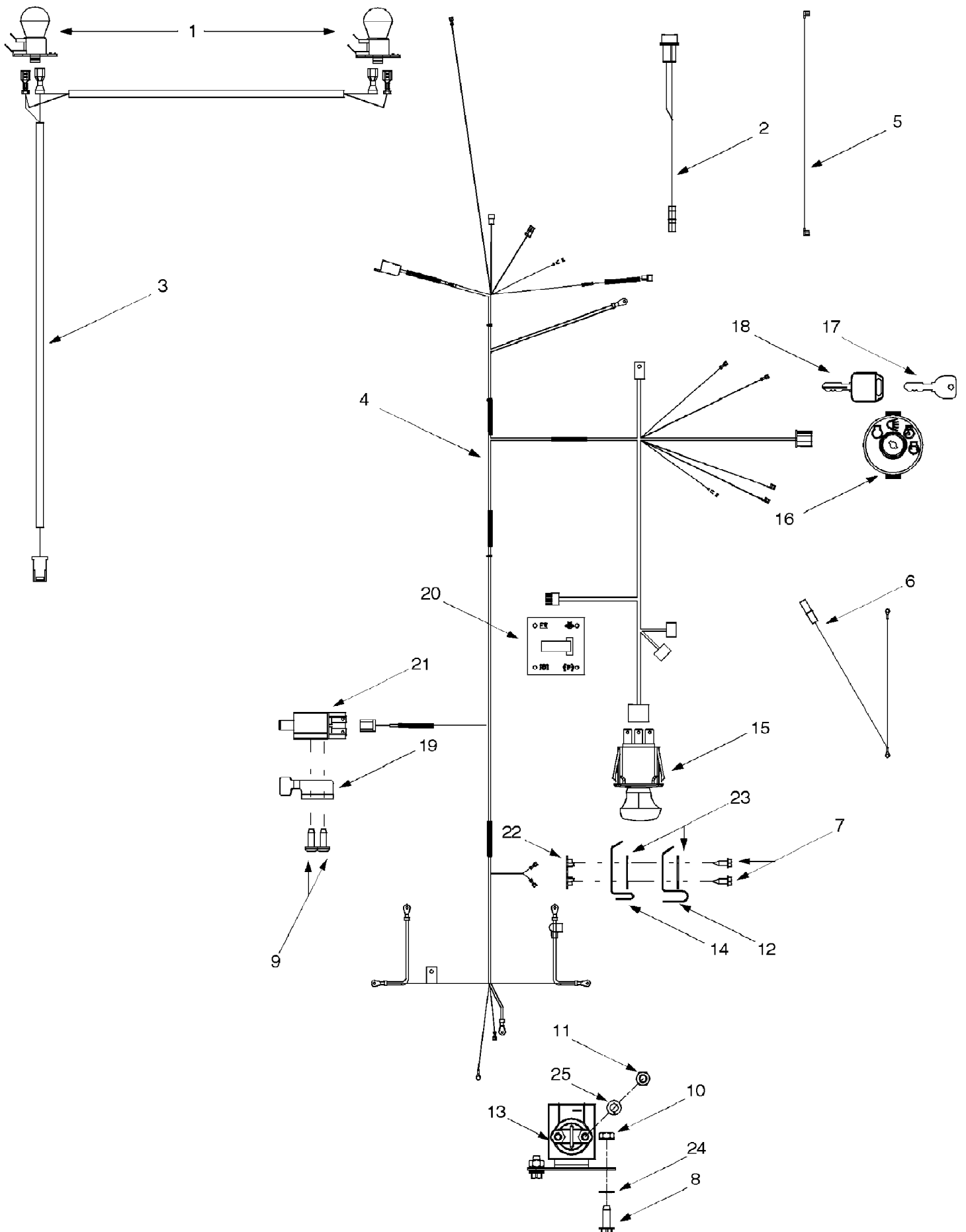


ZTT-2150 (2001)
Drive Controls

Page 6 of 20

Ref #	Part Number	Qty	S/P/F	Description
1	683-0317	1		RH Handle Bracket Assembly
2	683-0318	1		LH Handle Bracket Assembly
3	683-0320	1		Bail Assembly
4	710-0227	1	/P	Self-tapping Screw, #8-18 x .5
5	710-0451	1	/P	Carriage Screw, 5/16-18 x .75
6	710-0514	1	/P	Hex Cap Screw, 3/8-16 x 1.0
7	710-0599	1	/P	Self-tapping Screw, 1/4-20 x .5
8	710-0604A	1	/P	Self-tapping Screw, 16-18 x .625
9	710-0642	1	/P	Self-tapping Screw, 1/4-20 x .75
10	710-0788	1	/P	Self-tapping Screw, 1/4-20 x 1.0
11	710-1260A	1	/P	Self-tapping Screw, 5/16-18 x .75
12	711-1509	1		Control Shaft
13	711-1535	1		Rod, .375 x 8.0
14	712-0298	1	S	Jam Nut, 1/4-20
15	712-0365	1		Center Lock Hex Nut, M8
16	629-1083	1		Ground Jumper Wire Assembly
17	712-3004A	1	/P	Flange Lock Nut, 5/16-18
18	712-3027	1	S	Hex Flange Lock Nut, 1/4-20
19	714-0507	1	S	Cotter Pin, 3/32 x .75
20	716-0125	1	S	E-Ring, .375
21	720-0278A	1	/P	Foam Grip
22	720-0322	1		Dipped Cap, .187
23	725-1760	1		Spring Switch
24	725-1773	1		Short Spring Switch
25	725-1980	1		Lever Spring Switch
26	726-0209	1	/P	Cable Tie
27	726-0320	1	S	Insulator Nut Plate
28	727-3113	1		Damper Cylinder
29	732-0568	1	S	Extension Spring, .50 x 2.54
30	736-0169	1	S	Lock Washer, 3/8
31	736-0349	1	S	Flat Washer, .63 x 1.0 x .020
32	736-3004	1	S	Flat Washer, .406 x .875 x .105
33	783-1265	1		Clamp Cable Bracket
34	738-0255	1	S	Shoulder Screw, .375 x .181
35	741-0591	1	S	Flange Bearing, .630 x .693
36	746-1121	1		Control Cable, 77.5
37	748-0438	1		Index Plate
38	749-1236	1		Hand Rest Tube
39	749-1237	1		Control Handle
40	750-1298	1		Spacer, .280 x .437 x .250

ZTT-2150 (2001)
Electrical

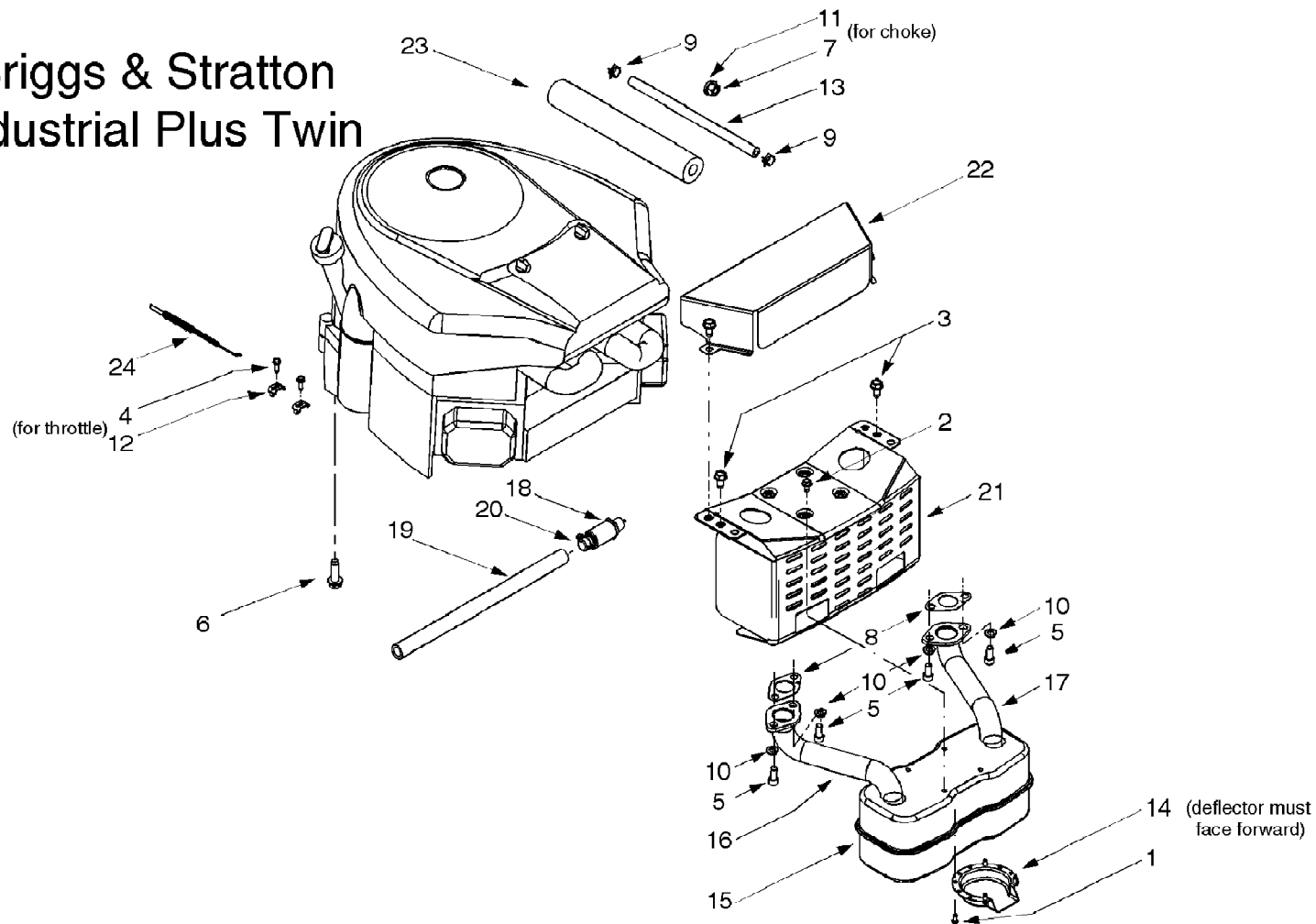


ZTT-2150 (2001)
Electrical

Page 8 of 20

Ref #	Part Number	Qty	S/P/F	Description
1	625-0051	1	S	Bulb/Socket Headlight Assembly
2	629-0126	1		Wire Harness, Afterfire Solenoid, #18 x 5
3	629-0469A	1	S	Wire Harness, Headlight
4	629-1055	1		Wire Harness, Main
5	629-1077	1		Wire Assembly, Reverse Jumper
6	629-1083	1		Wire Assembly, Ground Jumper
7	710-0227	1	/P	Self-tapping Screw, #8-18 x .5
8	710-0642	1	/P	Self-tapping Screw, 1/4-20 x .75
9	710-1823	1		Pan Phillips Screw, #12-16 x .625
10	712-0271	1	/P	Hex Sems Nut, 1/4-20
11	712-3006	1	/P	Hex Nut, 1/4-20
12	725-1303	1	S	Outer Seat Spring Switch
13	725-1426	1	S	12V Solenoid, 100 Amp
14	725-1439	1		Inner Seat Spring Switch
15	725-1716	1	S	Electric PTO Switch
16	725-1741	1	S	Ignition Switch
17	725-1744	1	S	Ignition Key
18	725-1745	1	S	Ignition Key w/ Plastic Cover
19	725-1774	1		Parking Brake Switch Spring
20	725-1976	1	S	Systems Indicator Monitor, Hour Meter
21	725-3223	1		Plunger Switch (Parking Brake)
22	726-0278	1		Insulator Boss Plate
23	726-0279	1		Insulator Plate
24	736-0222	1	S	External Lock Washer, 1/4
25	736-0329	1	S	Lock Washer, 1/4

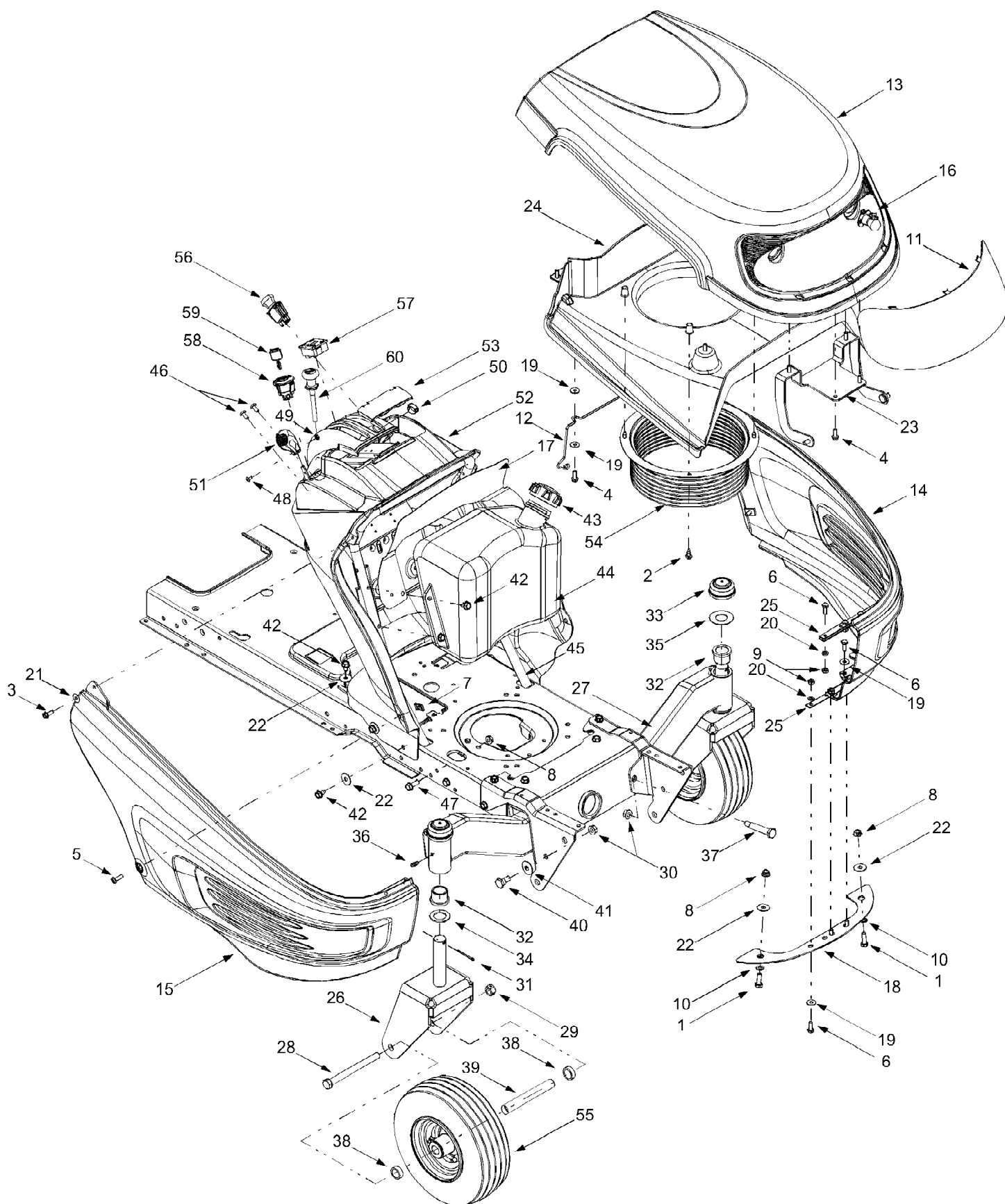
Briggs & Stratton Industrial Plus Twin



ZTT-2150 (2001)
Engine Accessories

Page 10 of 20

Ref #	Part Number	Qty	S/P/F	Description
1	710-0227	1	/P	Self-tapping Screw, #8-18 x .5
2	710-0599	1	/P	Self-tapping Screw, 1/4-20 x .5
3	710-0604A	1	/P	Self-tapping Screw, 5/16-18 x .625
4	710-1237	1		Screw, #10-32 x .625
5	710-1314	1	S	Socket Cap Screw, 5/16-18 x .625
6	710-1315	1	/P	Self-tapping Screw, 3/8-16 x 1.25
7	712-3017	1	S	Hex Nut, 3/8-16
8	721-0460	1		Exhaust Gasket (Industrial Plus Twin)
9	726-0205	1	/P	Hose Clamp
10	736-0119	1	S	Lock Washer, 5/16
11	736-0300	1	S	Flat Washer, .406 x .875 x .059
12	751B221535	1	/P	Casing Clamp
13	751-0535	1		Fuel Line Hose
14	751-0564	1	S	Muffler Deflector
15	751-0616	1	S	Muffler, Twin Inlet
16	751-0650	1	S	RH Exhaust Pipe (Industrial Plus Twin)
17	751-0651	1	S	LH Exhaust Pipe (Industrial Plus Twin)
18	751-3140	1	S	Oil Drain Valve
19	751-3141	1	S	Oil Drain Hose
20	751-3142	1		Oil Drain Cap
21	783-0615	1	S	Muffler Heat Shield
22	783-0625B	1	S	Engine Heat Shield
23	722-0263	1	S	Foam (Fits over fuel line)
24	746-1086	1	S	Throttle Cable (Industrial Plus Twin)
?27	751B213146	1	/P	Casing Clamp
?28	751-0617	1	S	Muffler, Single Inlet
?29	712-0271	1	/P	Hex Sems Nut, 1/4-20 (For starter cable)
?31	732-0966	1		Extension Spring, .275 x 1.25



ZTT-2150 (2001)
General Assembly - Front

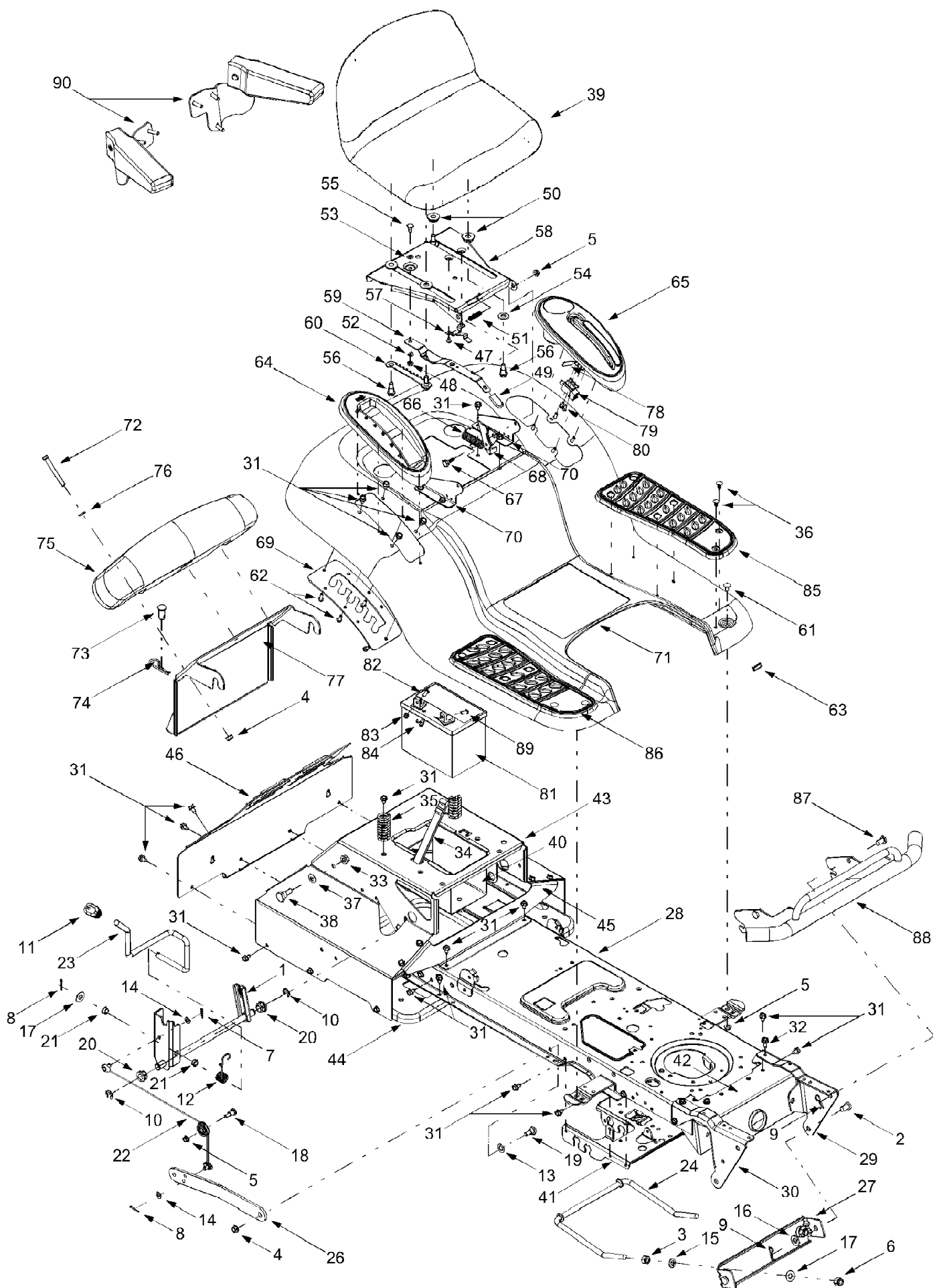
Page 12 of 20

Ref #	Part Number	Qty	S/P/F	Description
1	710-0376	1	/P	Hex Cap Screw, 5/16-18 x 1.0
2	710-0599	1	/P	Self-tapping Screw, 1/4-20 x .5
3	710-0642	1	/P	Self-tapping Screw, 1/4-20 x .75
4	710-0895	1		Self-tapping Screw, 1/4-15 x .75
5	710-0924	1	/P	Pan Phillips Screw, 1/4-20 x .75
6	710-3015	1	/P	Hex Cap Screw, 1/4-20 x .75
7	712-0292	1	/P	U-type Speed Nut, 1/4-20
8	712-3004A	1	/P	Flange Lock Nut, 5/16-18
9	712-3006	1	/P	Hex Nut, 1/4-20
10	726-0201	1		Speed Nut
11	731-2286	1	S	Head Light Lens
12	747-1209	1	S	Hood Latch Rod
13	731-2283	1	S	Hood, 6-style (Gray)
14	731-2307	1	S	LH Side Panel, 6-style (Gray)
15	731-2308	1	S	RH Side Panel, 6-style (Gray)
16	625-0051	1	S	Head Light Assembly
17	783-1350	1	S	Heat Shield
18	731-2272	1	/P	Heat Shield
19	736-0173	1	/P	Flat Washer, .28 x .74 x .063
20	736-0329	1	S	Lock Washer, 1/4
21	736-0342	1		Flat Washer, .283 x .75 x .030
22	736-3078	1	/P	Flat Washer, .349 x 1.0 x .063
23	683-0305	1	S	Hood Bracket Assembly
24	731-2284	1		Hood Plenum
25	783-1000A	1	/P	Grille Support Bracket
26	683-0425	1		Castor Assembly
27	683-0453	1		Pivot Bar Axle Assembly
28	710-0506	1	/P	Hex Cap Screw, 1/2-20 x 5.5
29	712-0239	1	S	Hex Lock Nut, 1/2-20
30	712-0431	1	S	Flange Lock Nut, 3/8-16
31	714-3001	1	S	Cotter Pin, .125 x 1.5
32	731-0374	1	S	Flange Bearing
33	731-0556	1		Plastic Cap
34	736-0277	1		Flat Washer, 1.031 x 1.620 x .095
35	736-0345	1	S	Flat Washer, 1.010 x 2.0 x .065
36	737-0280	1	S	Grease Fitting, 1/4-28
37	738-1011	1	S	Shoulder Screw, .50 x 2.23, 3/8-16
38	750-0456	1	S	Spacer, .790 x .347
39	750-3197A	1	/P	Wheel Spacer
40	738-0143	1	/P	Shoulder Screw, 3/8-16
41	736-0331	1	/P	Bell Washer, .39 x 1.13 x .062
42	710-0604A	1	/P	Self-tapping Screw, 16-18 x .625
43	751-0603	1	S	Fuel Tank Cap (fits both fuel tanks)
44	751-0659A	1	S	Fuel Tank, Two-gallon (shown)
	751-0658B	1		Fuel Tank, Three-gallon (not shown)
45	683-0316	1		Dash Support Assembly
46	710-1017	1	/P	Torx Self-tapping Screw, 1/4-14 x .625
47	710-1238	1	/P	Hex Head Washer Screw, 5/16-18 x .875
48	710-3217	1	/P	Torx Screw, #8-32 x .375
49	712-0142	1	/P	Hex Nut, 8-32
50	720-0425	1		Cap Plug, .812
51	731-1857	1		Throttle Control Lever
52	731-2321	1		

ZTT-2150 (2001)
General Assembly - Front

Page 13 of 20

Ref #	Part Number	Qty	S/P/F	Description
53	731-2483	1		Dash Cap
54	731-2232	1	S	Intake Bellow (ZTT-1850)
	731-2234	1	S	Intake Bellow (ZTT-2150)
55	634-3169	1		Wheel Assembly, 11 x 4 x 5 (Yellow Rim)
56	725-1716	1	S	Electric PTO Switch
57	725-1976	1	S	Systems Indicator Monitor/Hour Meter
58	725-1741	1	S	Ignition Switch
59	725-1745	1	S	Ignition Key w/ Plastic Cover
60	746-1134	1		Choke Control/Cable (ZTT-2150)



ZTT-2150 (2001)
General Assembly - Rear

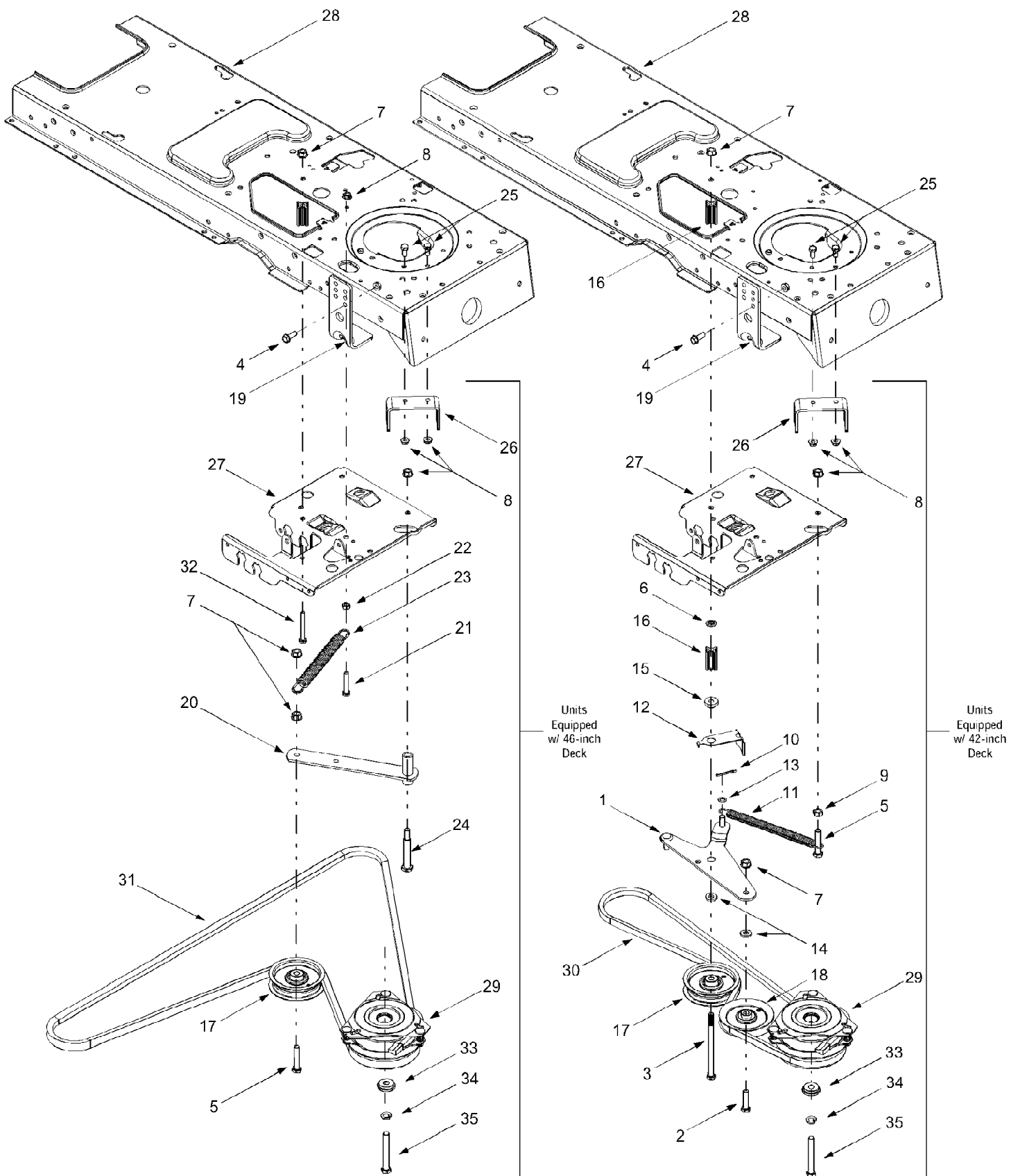
Page 15 of 20

Ref #	Part Number	Qty	S/P/F	Description
1	683-0197	1	S	Lift Shaft Assembly
2	711-0332	1	S	Clevis Pin, .5 x .78
3	712-0206	1	S	Hex Nut, 1/2-13
4	712-0431	1	S	Flange Lock Nut, 3/8-16
5	712-3004A	1	/P	Flange Lock Nut, 5/16-18
6	712-3083	1	/P	Hex Nut, 1/2-13
7	714-0104	1	S	Internal Cotter Pin
8	714-0111	1	S	Cotter Pin, 3/32 x 1.0
9	714-0145	1	S	Internal Cotter Pin
10	716-0106	1	/P	E-ring
11	720-0311	1		Handle Grip
12	732-0874	1	/P	Torsion Spring
13	736-0160	1	S	Flat Washer, .53 x .93 x .050
14	736-0275	1	S	Flat Washer, .344 x .688 x .065
15	736-0921	1	S	Lock Washer, 1/2
16	736-3019	1		Flat Washer, .31 x 1.062 x .134
17	736-3084	1	/P	Flat Washer, .51 x 1.12 x .06
18	738-0138A	1	/P	Hex Cap Screw, 5/16-18 x .62
19	738-0143	1	/P	Shoulder Screw, 3/8-16
20	741-0225	1	S	Hex Flange Bearing
21	741-0715	1	S	Snap Flange Bearing
22	746-0968	1		Lift Cable, 16.16
23	747-1111	1	S	Lift Handle
24	747-1130A	1	S	Deck Stabilizer Rod
?25	756-1154	1		Roller Pulley
26	783-0678A	1	S	Lift Arm
27	783-0720A	1	S	Deck Stabilizer Bracket
28	683-0314	1		Frame Assembly
29	683-0589	1		LH Pivot Support Bracket Assembly
30	683-0590	1	S	RH Pivot Support Bracket Assembly
31	710-0604A	1	/P	Self-tapping Screw, 16-18 x .625
32	710-1260A	1	/P	Self-tapping Screw, 5/16-18 x .75
33	712-0459	1	/P	Flange Lock Nut, 7/16-20
34	723-0444	1		Battery Strap
35	732-3080	1	S	Compression Spring, 1.28 x 3.5
36	726-3046	1	/P	Ratchet Clip, .25
37	736-0407	1		Bell Washer, .45 x 1.0 x .062
38	738-1020	1		Shoulder Screw, .625 x .50, 7/16-20
39	757-0388	1		Seat, High Back (Black)
40	783-0349	1		Battery Tray
41	783-0653D	1	S	Steering Support Bracket
42	783-0728	1		Pivot Bar Bracket
43	783-1044	1		Upper Frame
44	783-1045	1		Transmission Bracket
45	783-1046	1	S	Support Bracket
46	783-1047	1		Rear Access Plate
47	710-1268	1	/P	Screw, #10-16 x .375
48	712-3027	1	S	Hex Flange Lock Nut, 1/4-20
49	720-0309A	1	/P	Seat Adjuster Grip
50	731-1989	1		Spacer
51	732-0499	1		Compression Spring, .41 x 1.5
52	736-0175	1	S	Spring Washer, .265 x .562 x .025
53	736-0204	1	/P	Flat Washer, .344 x .62 x .03

ZTT-2150 (2001)
General Assembly - Rear

Page 16 of 20

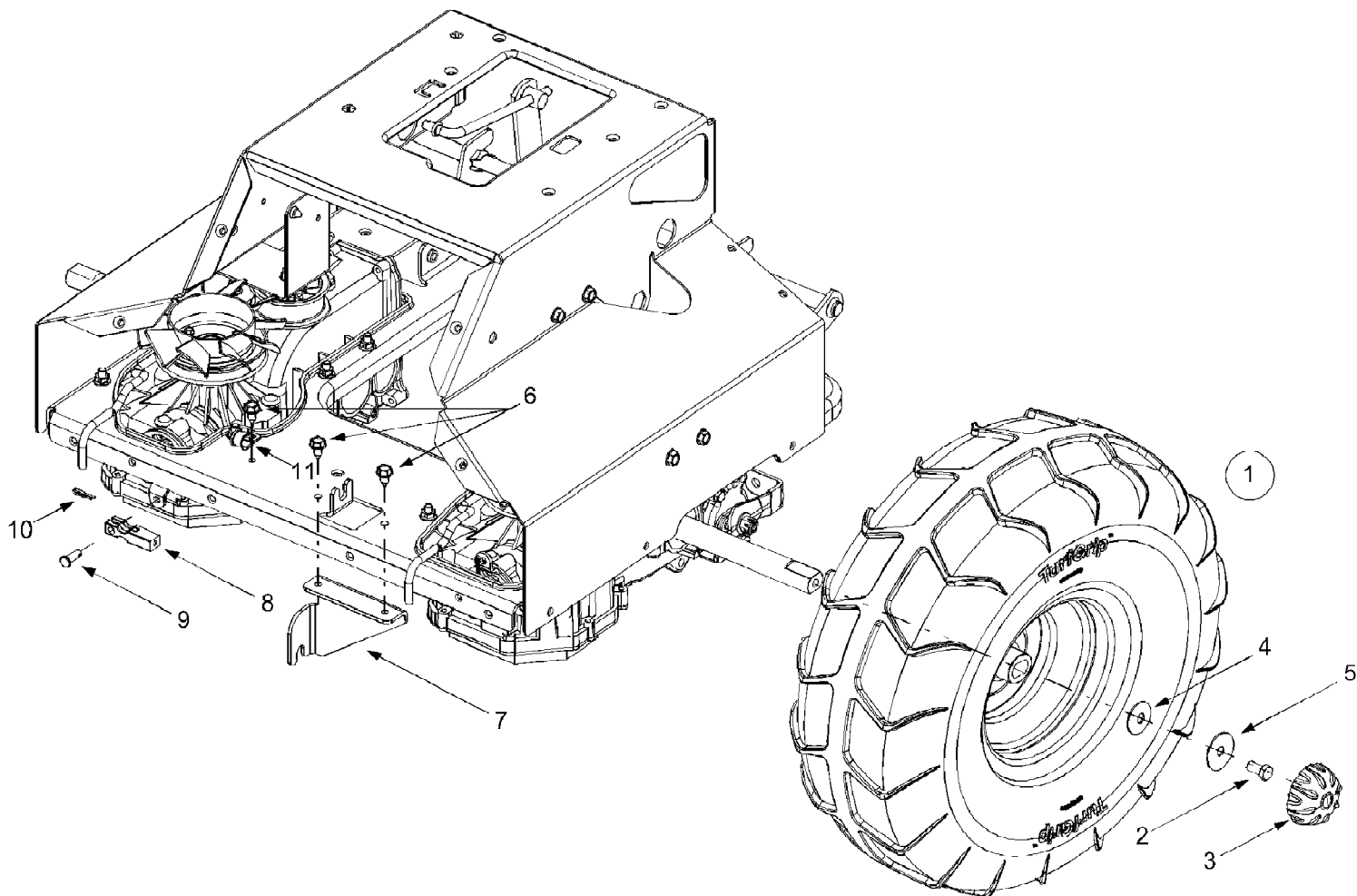
Ref #	Part Number	Qty	S/P/F	Description
54	736-3019	1		Flat Washer, .31 x 1.062 x .134
55	738-0137A	1	S	Shoulder Screw, .340 x .285, 1/4-20
56	738-1007	1		Shoulder Screw, .50 x .50, 3/8-16
57	783-0611	1		Seat Stop
58	783-0738	1	S	Seat Pivot Bracket
59	783-0739	1		Seat Adjustment Lever
60	783-0753	1		Seat Adjustment Selector
61	710-0260A	1	/P	Carriage Screw, 5/16-18 x .62
62	710-0895	1		Self-tapping Screw, 1/4-15 x .75
63	731-0511	1	/P	Trim Strip
64	731-1990	1		Lift Lever Cover
65	731-2319	1		Parking Brake Lever Cover w/ Cup Holder
66	732-1027	1		Extension Spring, .750 x 3.8
67	738-0296	1	S	Shoulder Screw, .437 x .286
68	783-0209	1	S	Seat Lift Bracket
69	783-0677	1	S	Lift Adjuster Bracker
70	783-0715A	1	S	Seat Mounting Bracket
71	783-1349	1		ZTT Fender
72	710-3130	1	/P	Hex Cap Screw, 3/8-16 x 3.25 (Grade 8)
73	711-0309A	1	/P	Clevis Pin, .62 Diameter
74	714-0117	1	/P	Internal Cotter Pin, .148 x 3.0
75	731-2341	1		Rear Bumper Weight
76	736-3010	1		Flat Washer, .407 x .812 x .135
77	783-1275	1		Bumper Support Bracket
78	725-1774	1		Spring Switch
79	725-3223	1		Plunger Switch (Parking Brake)
80	710-1823	1		Pan Phillips Screw, #12-16 x .625
81	725-1706	1	S	Battery, 270 CCA
82	710-0703	1	/P	Hex Cap Screw, 1/4-20 x .75
83	712-0271	1	/P	Hex Sems Nut, 1/4-20
84	712-3087	1	/P	Wing Nut, 1/4-20
85	735-0657	1		LH Foot Pad
86	735-0678	1		RH Foot Pad
87	711-0332	1	S	Clevis Pin, .50 x .78
88	768-0010	1	S	Bumper Assembly
89	738-1132	1		Shoulder Screw, 1/4-20, .25 x .15
90	757-3009	1		Arm Rest Assembly (Includes LH & RH)



ZTT-2150 (2001)
PTO

Page 18 of 20

Ref #	Part Number	Qty	S/P/F	Description
1	683-0450	1	/P	Engagement Plate Assembly
2	710-0520	1	/P	Hex Cap Screw, 3/8-16 x 1.5
3	710-0831	1		Hex Cap Screw, 3/8-16 x 5.5
4	710-1238	1	/P	Hex Head Washer Screw, 5/16-18 x .875
5	710-3144	1	/P	Hex Cap Screw, 3/8-16 x 2.0
6	712-0229	1		Push Nut, 3/8
7	712-0431	1	S	Flange Lock Nut, 3/8-16
8	712-3004A	1	/P	Flange Lock Nut, 5/16-18
9	712-3017	1	S	Hex Nut, 3/8-16
10	714-0470	1	S	Cotter Pin, 1/8 x 1.25
11	732-0384	1	S	Extension Spring, .62 x 6.12
12	732-0991A	1	/P	Belt Guard
13	736-0140	1	S	Flat Washer, .385 x .62 x .063
14	736-3010	1		Flat Washer, .407 x .812 x .135
15	738-0372	1	S	Shoulder Spacer, .380
16	748-0415A	1	S	Spacer, 3/8 x 1.54
17	756-0627B	1	S	Idler Pulley, 3.5
18	756-1208	1		Idler Pulley, 4.0
19	783-0891B	1		Deck Stop
20	683-0297	1	S	Idler Bracket Assembly
21	710-3180	1	/P	Hex Cap Screw, 5/16-18 x 1.75
22	712-3010	1	S	Hex Nut, 5/16-18
23	732-0978	1		Extension Spring, .62 x 5.62
24	738-3056	1	S	Shoulder Screw, 1/2 x 2.5
25	710-3025	1	/P	Hex Cap Screw, 5/16-18 x .625
26	783-1003	1	S	Electric Clutch Anti-rotation Bracket
27	783-0653D	1	S	Steering Support Bracket
28	683-0314	1		Frame Assembly
29	717-1708	1	S	Electric PTO Clutch
30	754-0497	1	S	PTO Belt (42-inch Decks)
31	754-0474	1	S	PTO Belt (46-inch Decks)
32	710-0859	1	/P	Hex Cap Screw, 3/8-16 x 2.5
33	738-0785	1	S	Shoulder Spacer, 1.38 x .445 x .36
34	736-0171	1	S	Lock Washer, 7/16
35	710-3157	1	S	Hex Cap Screw, 7/16-20 x 3.25 (Grade 5)



ZTT-2150 (2001)
Wheels, Rear

Page 20 of 20

Ref #	Part Number	Qty	S/P/F	Description
1	634-0215	1		LH Wheel Assembly Complete, 20 x 7
	634-0216	1		RH Wheel Assembly Complete, 20 x 7
	634-0209	1		Rim Only
	734-0255	1	S	Air Valve
	734-2019	1		Tire Only, 20.4 x 7.0 x 8.0 Turf-Grip
2	710-0180	1	/P	Hex Cap Screw, 3/8-24 x .75
3	731-2290A	1	/P	Hub Cap
4	736-0356	1	S	Bell Washer, .391 x 1.38 x .062
5	736-0372	1		Flat Washer, .410 x 1.59 x .062
6	710-0604A	1	/P	Self-tapping Screw, 16-18 x .625
7	783-1069	1		Cable Bracket
8	748-0452	1		Control Yoke
9	711-1601	1		Clevis Pin, .3125 x .81
10	714-0104	1	S	Internal Cotter Pin, 5/16
11	726-0272	1	/P	Clamp, 9/16