

No
Diagram
Available

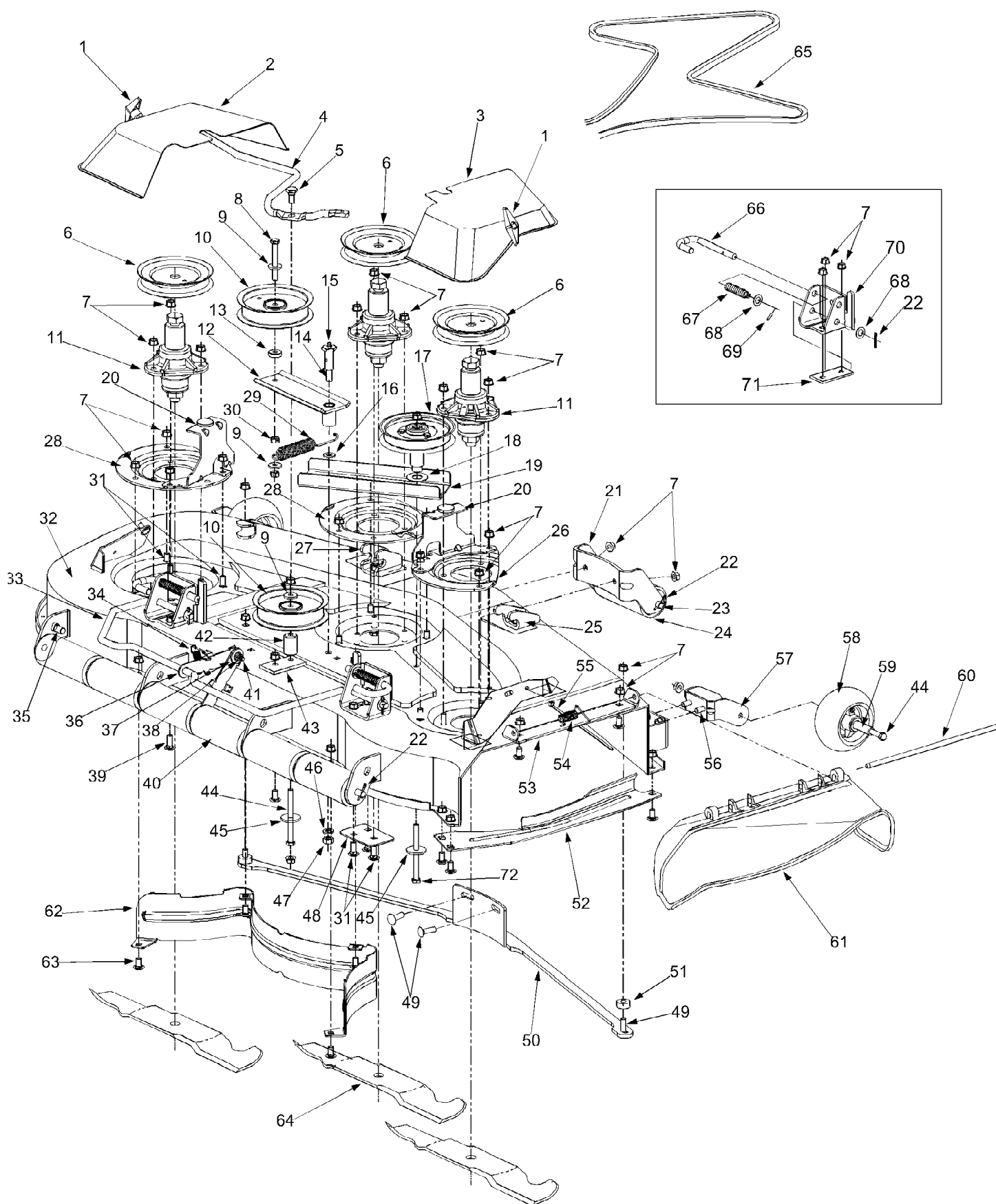
Parts List
Only

ZT-2250 (2001)
48" And 54" Deck Spindle Assembly

Page 2 of 36

| Ref # | Part Number | Qty | S/P/F | Description |
|-------|-------------|-----|-------|---------------------------------------|
| | 603-0690 | 1 | | SPINDLE ASSY. COMPLETE |
| | 710-1674 | 1 | | SPINDLE BOLT: 3/4-16 X 6.50 |
| | 911-3171 | 1 | | SPACER: .755 ID X 1.25 OD X .44 |
| | 750-3249 | 1 | | SPACER: .765 ID X 1.50 OD X 1.88 |
| | 948-3020 | 1 | /P | BLADE SPACER |
| | 936-3014 | 1 | S | FLAT WASHER: .781 ID X 2.00 OD X .105 |
| | 903-1387 | 2 | /P | SPINDLE CUP |
| | 912-3018 | 1 | /P | BLADE NUT: 3/4-16 |
| | 741-3029 | 2 | /P | BEARING CUP |
| | 941-3028 | 2 | /P | BEARING CONE |
| | 941-3030 | 1 | /P | BEARING SPACER |
| | 921-3018 | 2 | S | SEAL,OIL: 1.25 ID X 1.874 OD |

ZT-2250 (2001)
54" Deck Assembly



ZT-2250 (2001)
54" Deck Assembly

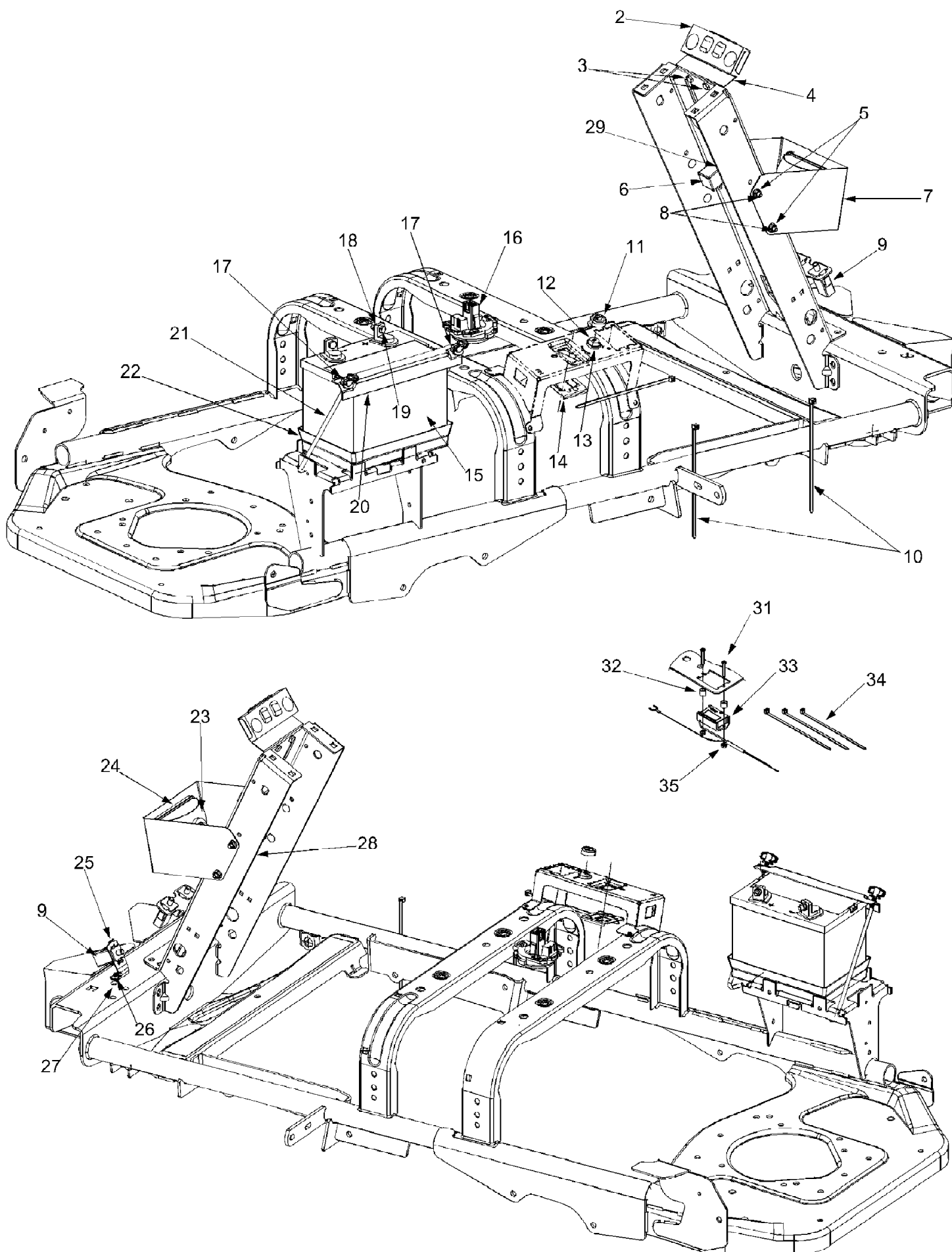
Page 4 of 36

| Ref # | Part Number | Qty | S/P/F | Description |
|-------|-------------|-----|-------|-----------------------------------|
| 1 | 720-0241 | 1 | S | Wing Nut Knob |
| 2 | 703-2817 | 1 | | Belt Cover LH |
| 3 | 703-2816 | 1 | | Belt Cover RH |
| 4 | 747-3306 | 1 | | Idler Spring Mounting Rod |
| 5 | 738-0380 | 1 | S | Shoulder Screw 3/8-16 |
| 6 | 756-3106 | 1 | | Pulley |
| 7 | 712-0431 | 1 | S | Flange Lock Nut 3/8-16 |
| 8 | 710-0521 | 1 | /P | Hex Cap Screw 3/8-16 x 3.0 |
| 9 | 736-0258 | 1 | /P | Flat Washer .385 ID x 1.0 OD |
| 10 | 756-3105 | 1 | | Idler Pulley 5.0 |
| 11 | 603-0690 | 1 | | Deck Spindle Ass'y |
| 12 | 603-0469A | 1 | S | Idler Bearing Arm Ass'y |
| 13 | 711-0242 | 1 | S | Spacer |
| 14 | 738-3108 | 1 | /P | Shoulder Bolt |
| 15 | 737-0280 | 1 | S | Grease Fitting |
| 16 | 736-3015 | 1 | S | Flat Washer .469 ID x .875 OD |
| 17 | 603-0407 | 1 | | Idler Pulley Ass'y 5.0 |
| 18 | 736-0316 | 1 | S | Flat Washer .78 ID x 1.59 OD |
| 19 | 703-2849 | 1 | S | Channel |
| 20 | 703-2767 | 1 | | Front End Deck Bracket LH |
| 21 | 703-2091A | 1 | | Front Roller Bracket |
| 22 | 714-0115 | 1 | S | Cotter Pin |
| 23 | 711-3314 | 1 | S | Roller Pin |
| 24 | 731-3005 | 1 | /P | Roller |
| 25 | 703-2430 | 1 | | Front End Deck Bracket RH |
| 26 | 703-2090 | 1 | | Reinforcement Disk RH |
| 27 | 703-2767 | 1 | | Front End Deck Bracket LH |
| 28 | 703-2089A | 1 | S | Reinforcement Disk |
| 29 | 732-0971 | 1 | | Extension Spring |
| 30 | 712-0375 | 1 | /P | Lock Nut 3/8-16 |
| 31 | 710-3168 | 1 | /P | Carriage Bolt 3/8-16 |
| 32 | 603-0325 | 1 | | Mower Deck Ass'y |
| 33 | 747-3297A | 1 | /P | Deck Support Rod |
| 34 | 732-0395 | 1 | S | Extension Spring .50 OD x 2.51 Lg |
| 35 | 711-1103 | 1 | | Pin Roller |
| 36 | 703-2929 | 1 | S | Deck Support Link |
| 37 | 736-0231 | 1 | S | Flat Washer .344 ID x 1.125 OD |
| 38 | 712-3004A | 1 | /P | Flange Lock Nut 5/16-18 |
| 39 | 710-3168 | 1 | /P | Carriage Bolt 3/8-16 |
| 40 | 731-3005 | 1 | /P | Roller |
| 41 | 738-0296 | 1 | S | Shoulder Screw |
| 42 | 750-3243 | 1 | | Spacer |
| 43 | 703-3381 | 1 | | Idler Support Plate |
| 44 | 710-0944 | 1 | /P | Hex Cap Screw 3/8-16 x 4.25 |
| 45 | 736-0227 | 1 | S | Flat Washer |
| 46 | 736-0171 | 1 | S | Lock Washer 7/16 |
| 47 | 712-3019 | 1 | S | Hex Nut 7/16-14 |
| 48 | 703-2988 | 1 | S | Support Plate |
| 49 | 710-3034 | 1 | /P | Carriage Screw 3/8-16 x 1.25 |
| 50 | 603-0144 | 1 | | Front Bar |
| 51 | 750-3119 | 1 | /P | Spacer |
| 52 | 603-0149 | 1 | S | Finger Guard |
| 53 | 703-2392 | 1 | S | Parts! |

ZT-2250 (2001)
54" Deck Assembly

Page 5 of 36

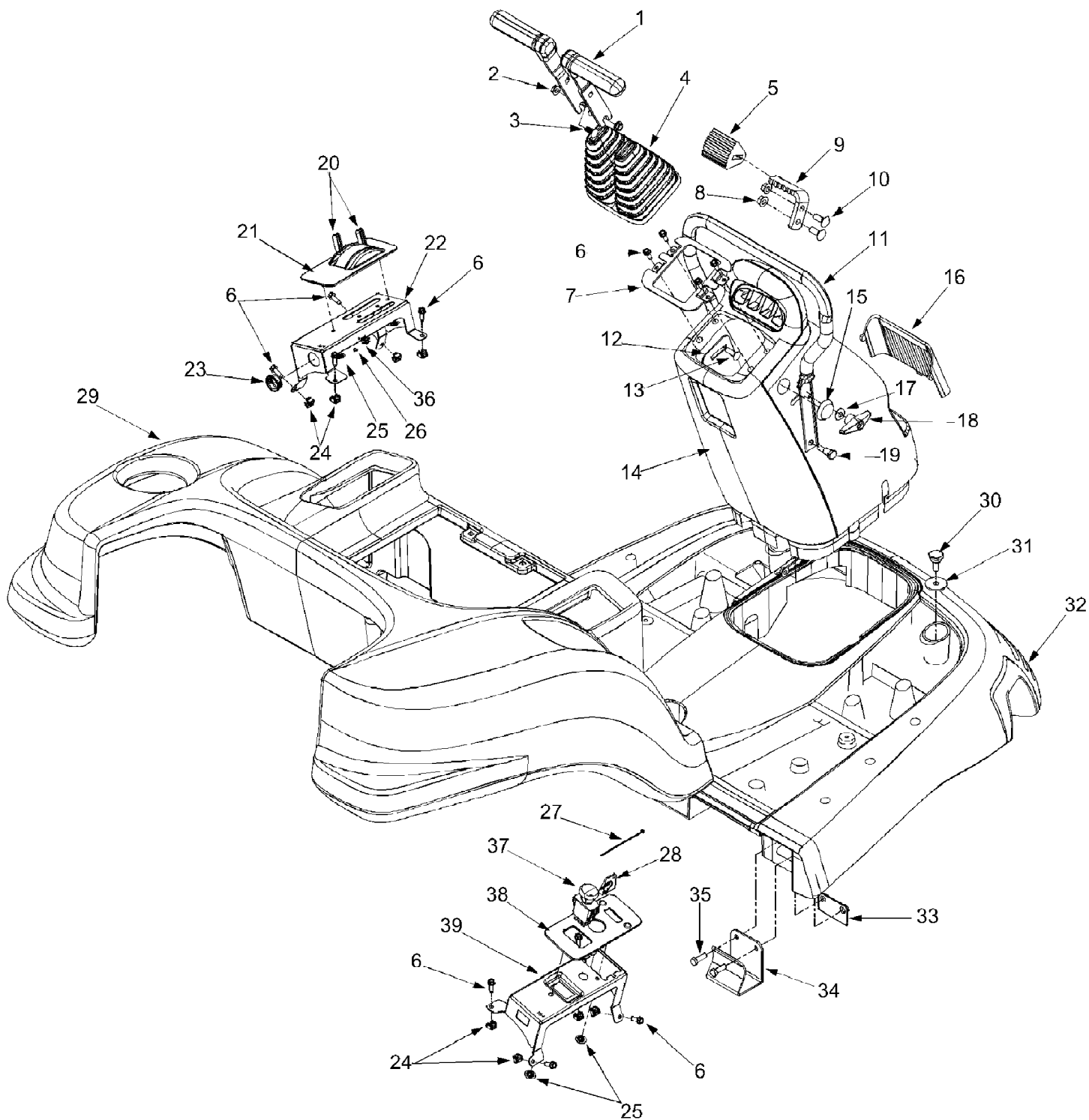
| Ref # | Part Number | Qty | S/P/F | Description |
|-------|-------------|-----|-------|------------------------------|
| 54 | 732-3070 | 1 | S | Torsion Spring |
| 55 | 725-0157 | 1 | /P | Cable Tie |
| 56 | 710-3001 | 1 | /P | Hex Cap Screw 3/8-16 x .880 |
| 57 | 703-2410 | 1 | | Castor Bracket |
| 58 | 634-3159 | 1 | /P | Wheel Complete |
| 59 | 750-3193 | 1 | /P | Spacer |
| 60 | 711-3318 | 1 | /P | Hinge Pin |
| 61 | 731-3131 | 1 | S | Deflector Chute |
| 62 | 703-2093 | 1 | | Inner Baffle |
| 63 | 710-3178 | 1 | /P | Carriage Bolt 3/8 - 16 |
| 64 | 742-3013 | 1 | S | Blade |
| 65 | 754-3078 | 1 | S | Belt |
| | 754-3083 | 1 | S | Belt |
| 66 | 747-3013 | 1 | | Support Pin |
| 67 | 732-0802 | 1 | | Compression Spring |
| 68 | 736-0160 | 1 | S | Flat Washer .536 ID x .93 OD |
| 69 | 715-3003 | 1 | | Spring Pin |
| 70 | 603-0351 | 1 | | Rear Hanger Bracket LH |
| | 603-0350 | 1 | | Rear Hanger Bracket RH |
| 71 | 703-2683 | 1 | S | Rear Hanger Bracket Spacer |
| 72 | 710-0693 | 1 | /P | Hex Cap Screw 3/8-16 x 4.5 |



ZT-2250 (2001)
Battery & Electrical

Page 7 of 36

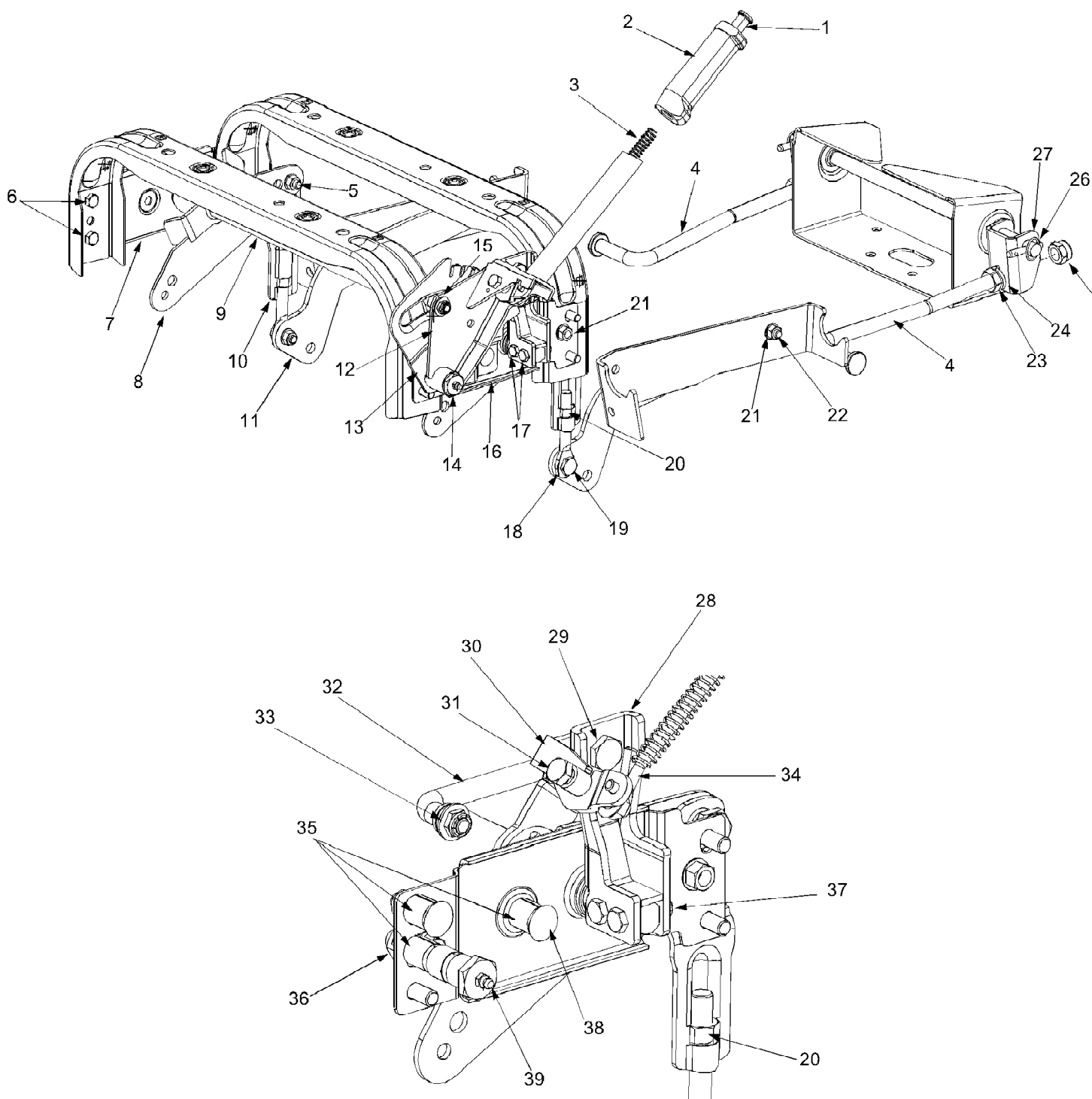
| Ref # | Part Number | Qty | S/P/F | Description |
|-------|-------------|-----|-------|----------------------------------|
| 1 | 629-3070 | 1 | | Wire Harness, Main Not Shown |
| 2 | 723-0455 | 1 | | Foam Protector, Indicator Light |
| 3 | 710-3013 | 1 | /P | Hex Cap Screw 1/4-20 x .50 |
| 4 | 703-2809 | 1 | S | Bracket, Indicator Bulb Mtg. |
| 5 | 712-3027 | 1 | S | Nut, Hex Flange Lock, 1/4-20 |
| 6 | 725-1718 | 1 | S | Relay |
| 7 | 703-2836 | 1 | | Bracket, Headlight Mtg. |
| 8 | 710-0134 | 1 | /P | Carriage Screw 1/4-20 x .62 |
| 9 | 725-3164A | 1 | S | Switch, Plunger Safety |
| 10 | 725-0157 | 1 | /P | Cable Tie |
| 11 | 725-1347 | 1 | /P | Cap, Ignition Switch |
| 12 | 725-1346 | 1 | S | Nut, Ignition Switch, 5/8-32 |
| 13 | 725-1717 | 1 | S | Switch, Ignition |
| 14 | 783-0462 | 1 | /P | Bracket, PTO Switch Retainer |
| 15 | 725-1722 | 1 | S | Battery |
| 16 | 725-3254 | 1 | S | Switch, Seat |
| 17 | 712-0397 | 1 | S | Nut, Nylon Wing, 1/4-20 |
| 18 | 712-0271 | 1 | /P | Nut, Hex Sems, 1/4-20 |
| 19 | 710-3015 | 1 | /P | Screw, Hex Cap, 1/4-20 x .75 GR5 |
| 20 | 703-3149A | 1 | /P | Strip, Battery Retainer |
| 21 | 747-3347 | 1 | | Rod, Battery Retainer |
| 22 | 731-3233 | 1 | | Tray, Battery |
| 23 | 725-3250 | 1 | S | Headlight Assembly |
| | 759-3864 | 1 | S | Bulb, Headlight - Only |
| 24 | 731-3184 | 1 | | Bezel, Headlight |
| 25 | 732-0816 | 1 | | Spring, Switch Mounting |
| 26 | 710-0425 | 1 | /P | Screw, Machine, #10-24 x 5/8 |
| 27 | 712-0161 | 1 | /P | Nut, Hex Insert Lock, #10-24 |
| 28 | 725-3251 | 1 | S | Voltage Sensor |
| 29 | 726-0349 | 1 | S | Ratchet Retainer |
| ?30 | 725-3191A | 1 | S | Switch, Plunger Safety |
| 31 | 710-3143 | 1 | /P | Machine Screw #10-24 |
| 32 | 750-0539 | 1 | S | Spacer .315 ID x .50 OD |
| 33 | 725-3159 | 1 | S | Hour Meter |
| 34 | 725-0157 | 1 | /P | Cable Tie |
| 35 | 712-0161 | 1 | /P | Lock Nut #10-24 |



ZT-2250 (2001)
Body Cover & Console

Page 9 of 36

| Ref # | Part Number | Qty | S/P/F | Description |
|-------|-------------|-----|-------|-------------------------------|
| 1 | 731-3263 | 1 | S | Control Handle |
| 2 | 712-3004A | 1 | /P | Flange Lock Nut 5/16-18 |
| 3 | 710-0451 | 1 | /P | Carriage Bolt 5/16-18 |
| 4 | 731-3185 | 1 | | Bellow |
| 5 | 735-0251 | 1 | | Foot Pad |
| 6 | 710-0642 | 1 | /P | Hex Washer Screw 1/4-20 x .75 |
| 7 | 703-2648 | 1 | | Bellow Retainer Bracket |
| 8 | 712-0431 | 1 | S | Flange Lock Nut 3/8-16 |
| 9 | 703-2807B | 1 | S | Foot Pad Mounting Bracket |
| 10 | 710-3168 | 1 | /P | Carriage Bolt 3/8-16 |
| 11 | 749-3081 | 1 | | Cruise Control Tube |
| 12 | 703-3288 | 1 | S | Control Tube Mounting Bracket |
| 13 | 710-0276 | 1 | /P | Carriage Screw 5/16-18 x 1.0 |
| 14 | 731-3283 | 1 | | Console |
| 15 | 726-0289 | 1 | | Plug |
| 16 | 731-3128A | 1 | | Lens |
| 17 | 736-0242 | 1 | /P | Bell Washer .340 ID x .872 OD |
| 18 | 720-0241 | 1 | S | Wing Nut Knob |
| 19 | 738-0754 | 1 | | Shoulder Screw |
| 20 | 720-0302 | 1 | | Knob |
| 21 | 731-3195B | 1 | /P | LH Control Panel Cover |
| 22 | 703-2703 | 1 | | LH Control Panel |
| 23 | 723-3042 | 1 | | Snap Bushing |
| 24 | 712-0453 | 1 | | Retainer Nut 1/4-20 |
| 25 | 726-3047 | 1 | S | Push Nut |
| 26 | 728-0117 | 1 | | Pop Rivet |
| 27 | 726-0197 | 1 | | Cable Tie |
| 28 | 725-1341B | 1 | /P | Key |
| 29 | 731-3309 | 1 | | Rear Body |
| 30 | 738-3163A | 1 | /P | Shoulder Screw 3/8-16 |
| 31 | 736-3039 | 1 | S | Flat Washer .406 ID x 1.5 OD |
| 32 | 731-3318 | 1 | | Floor Body |
| 33 | 603-0578 | 1 | | Body Plate Assembly |
| 34 | 703-3474 | 1 | S | Body Clip |
| 35 | 710-0376 | 1 | /P | Hex Cap Screw 5/16-18 x 1.0 |
| 36 | 732-0830 | 1 | S | Spring Clip |
| 37 | 725-1716 | 1 | S | Electric PTO Switch |
| 38 | 731-3196 | 1 | | RH Control Panel Cover |
| 39 | 703-3583 | 1 | S | RH Control Panel |

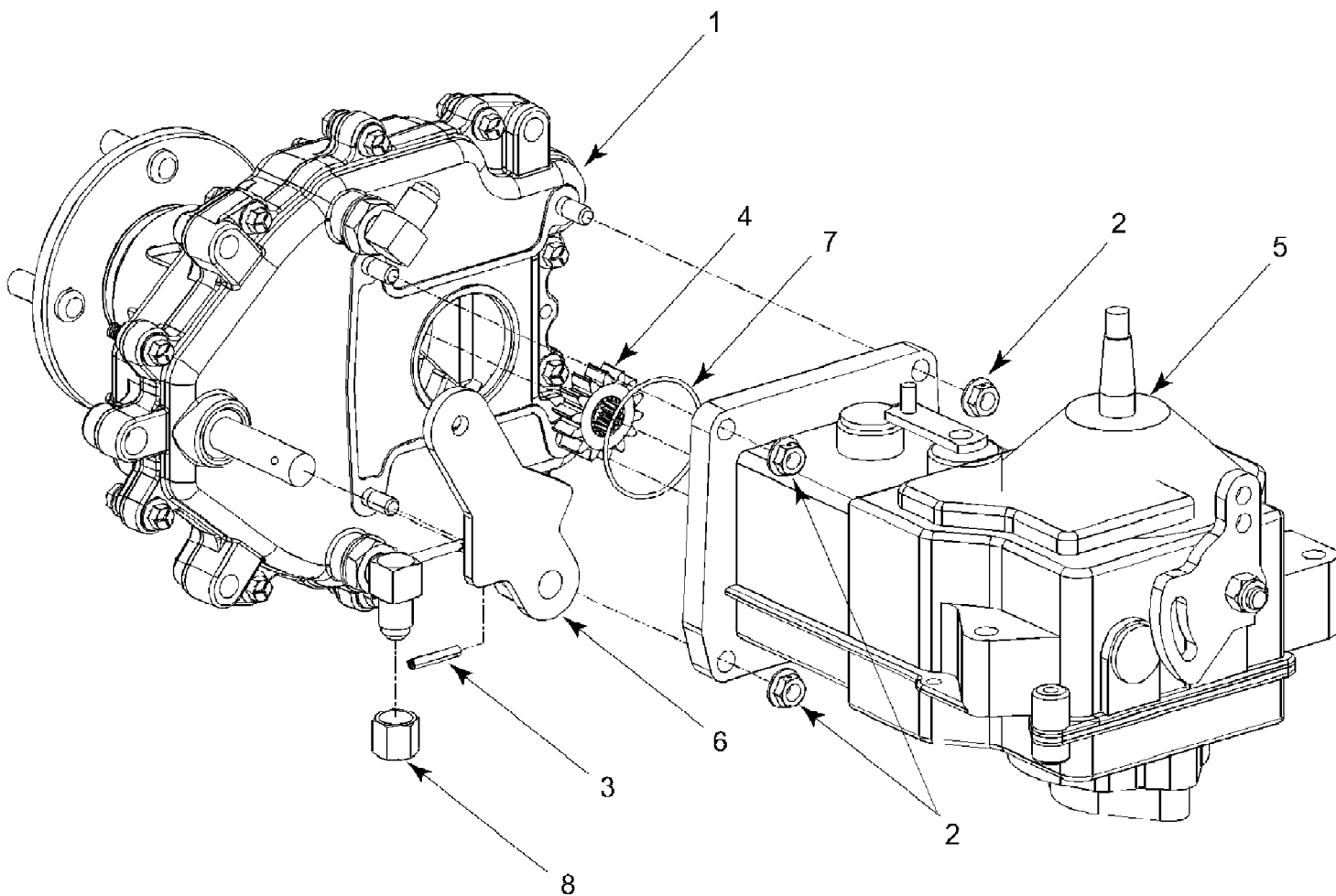


ZT-2250 (2001)
Deck Lift Assembly

Page 11 of 36

| Ref # | Part Number | Qty | S/P/F | Description |
|-------|-------------|-----|-------|---------------------------------|
| 1 | 711-0642A | 1 | /P | Handle Button |
| 2 | 731-3158 | 1 | | Handle Deck Lift Grip |
| 3 | 732-3097 | 1 | | Compression Spring |
| 4 | 747-3405 | 1 | | Front Lift Rod |
| 5 | 738-0507B | 1 | S | Shoulder Screw .500 Dia x .434 |
| 6 | 710-0216 | 1 | /P | Hex Cap Screw 3/8-16 x .75 |
| 7 | 603-0422 | 1 | S | Shaft Mounting Bracket - LH |
| 8 | 603-0370 | 1 | | Pivot Link Bearing Ass'y |
| 9 | 603-0313 | 1 | S | Lift Shaft Ass'y |
| 10 | 703-2621 | 1 | | Adjustable Deck Lift Link |
| 11 | 703-2780 | 1 | | Lift Parallel Link |
| 12 | 603-0327 | 1 | | Handle Bearing Ass'y |
| 13 | 703-2772 | 1 | | Deck Height Adjustable Plate |
| 14 | 738-3150 | 1 | | Lift Handle Shoulder Screw |
| 15 | 712-3020 | 1 | S | Top Lock Jam Nut 3/8-16 |
| 16 | 603-0423 | 1 | | Shaft Mounting Bracket - RH |
| 17 | 710-3083 | 1 | /P | Hex Cap Screw 5/16-18 x 1.375 |
| 18 | 711-0773 | 1 | | Eye Bolt Adjustable Link |
| 19 | 738-0380 | 1 | S | Shoulder Screw 3/8-16 |
| 20 | 712-0206 | 1 | S | Hex Nut 1/2-13 |
| 21 | 712-0431 | 1 | S | Flange Lock Nut 3/8-16 |
| 22 | 738-3151 | 1 | | Shoulder Screw 3/8-16 .56 x .27 |
| 23 | 712-3015 | 1 | S | Jam Nut 5/8-11 |
| 24 | 736-0158 | 1 | S | Lock Washer 5/8 |
| ?25 | 712-3016 | 1 | /P | Lock Hex Nut 5/8-11 |
| 26 | 711-3266 | 1 | S | Clevis Pin |
| 27 | 703-3407 | 1 | S | Front Lift Bracket |
| 28 | 603-0401 | 1 | S | Lift Arm Ass'y |
| 29 | 738-0183 | 1 | S | Shoulder Screw 3/8-16 .50 x .21 |
| 30 | 603-0257 | 1 | /P | Fork Lift Ass'y |
| 31 | 710-3011 | 1 | /P | Hex Cap Screw 3/8-16 x 2.25 |
| 32 | 747-3276 | 1 | | Lift Link Rod |
| 33 | 736-0300 | 1 | S | Flat Washer .406 x .875 |
| 34 | 747-3267 | 1 | | Handle Arm |
| 35 | 750-3200 | 1 | | Spacer .448 ID x .688 OD |
| 36 | 712-0290 | 1 | /P | Lock Nut 7/16-14 |
| 37 | 712-3009 | 1 | S | Hex Center L-Nut 5/16-18 |
| 38 | 710-0431 | 1 | /P | Hex Screw 3/8-16 x 1.50 |
| 39 | 737-0280 | 1 | S | Grease Fitting |
| ?40 | 747-3406 | 1 | | Front Mounting Rod Bracket |

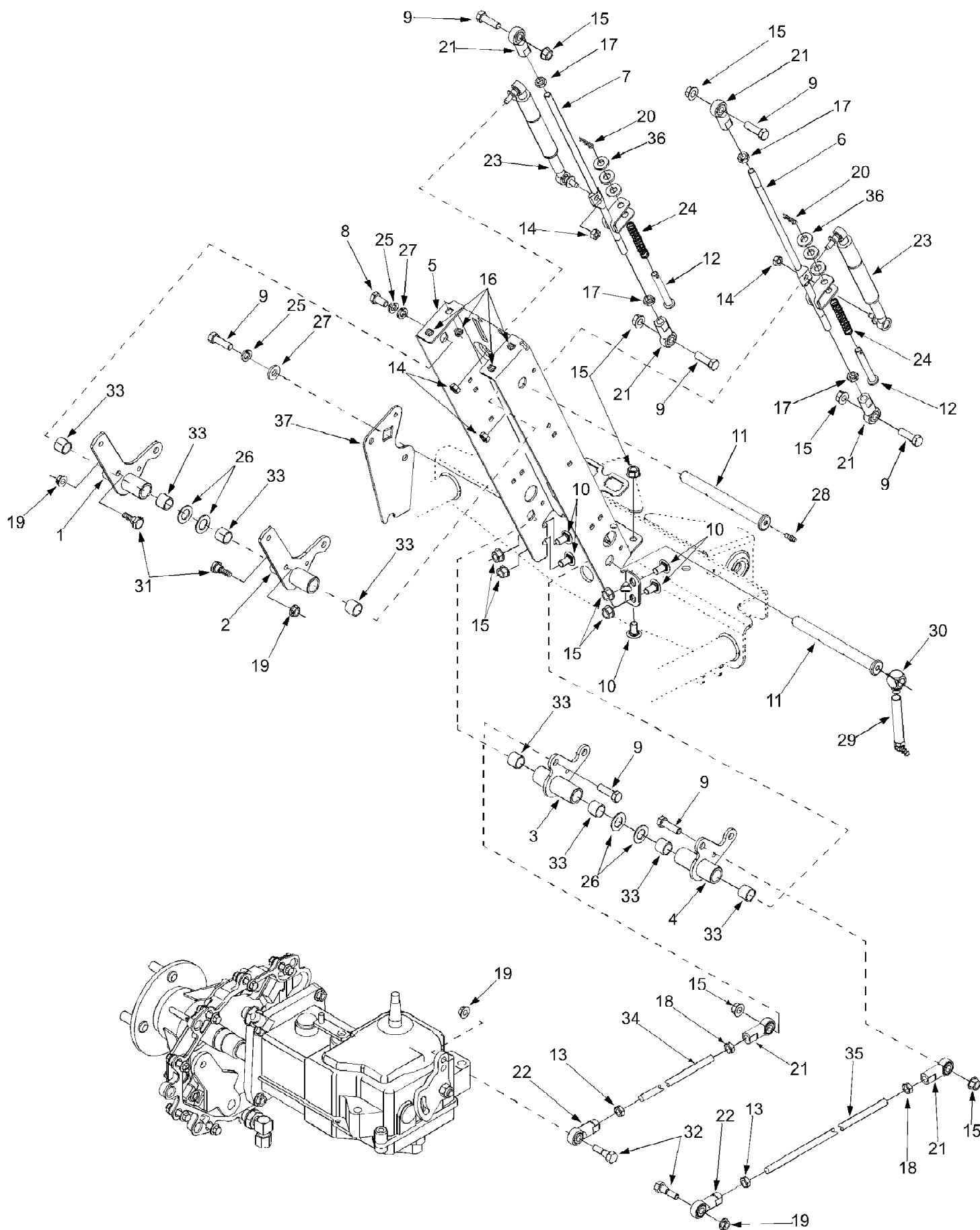
ZT-2250 (2001)
Drive Assembly Complete



ZT-2250 (2001)
Drive Assembly Complete

Page 13 of 36

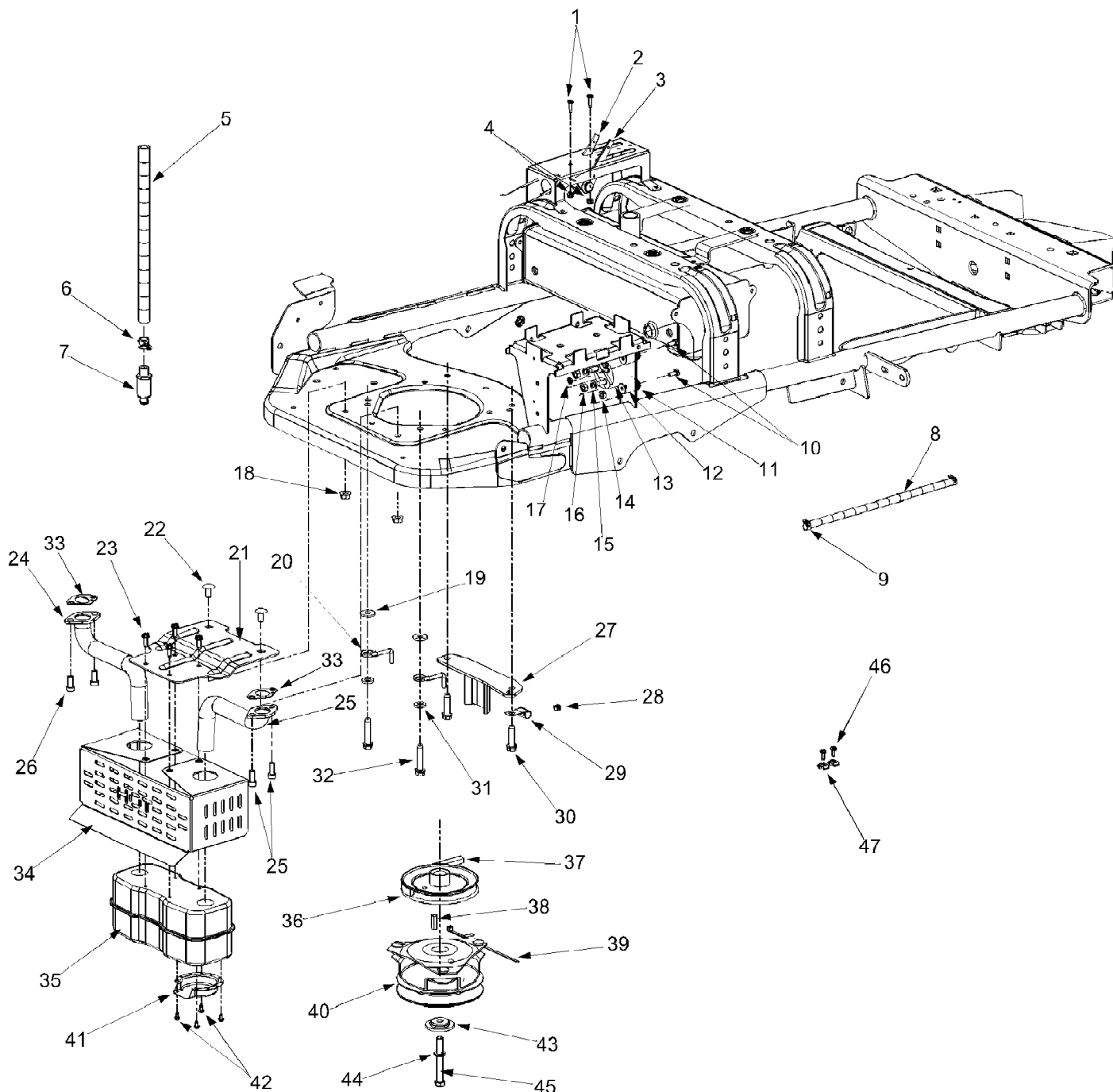
| Ref # | Part Number | Qty | S/P/F | Description |
|-------|-------------|-----|-------|-----------------------------|
| 1 | 618-3110A | 1 | S | Drive Ass'y Complete |
| 2 | 712-3004A | 1 | /P | Hex Flange Lock Nut 5/16-18 |
| 3 | 715-0136 | 1 | S | Spiral Pin 3/16 x 1.25 |
| 4 | 717-3396 | 1 | S | Spur Gear 14T |
| 5 | 717-3455 | 1 | S | Hydro Transmission |
| 6 | 718-3053 | 1 | | Parking Brake Lever |
| 7 | 721-0343 | 1 | | O-Ring 2.0 Dia. |
| 8 | 727-3125 | 1 | S | Cap Nut 3/8 |



ZT-2250 (2001)
Drive Controls & Support Tower

Page 15 of 36

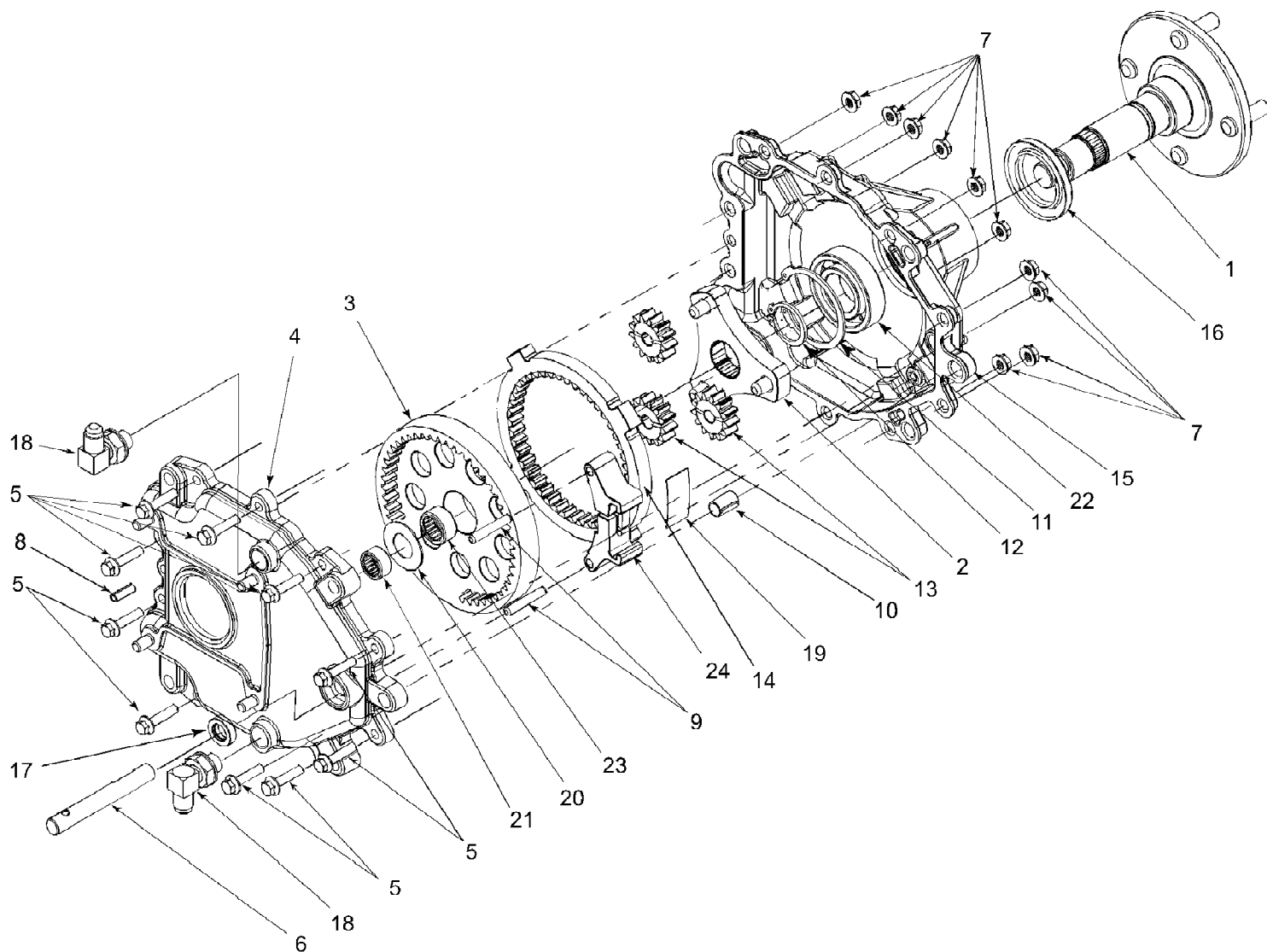
| Ref # | Part Number | Qty | S/P/F | Description |
|-------|-------------|-----|-------|---------------------------------|
| 1 | 603-0340 | 1 | S | Bellcrank Ass'y Upper LH |
| 2 | 603-0341 | 1 | S | Bellcrank Ass'y Upper RH |
| 3 | 603-0342 | 1 | S | Bellcrank Ass'y Lower LH |
| 4 | 603-0343 | 1 | S | Bellcrank Ass'y Lower RH |
| 5 | 603-0647 | 1 | S | Support Ass'y Tower |
| 6 | 603-0410 | 1 | | Rod Ass'y Control RH |
| 7 | 603-0411 | 1 | | Rod Ass'y Control LH |
| 8 | 710-0216 | 1 | /P | Hex Cap Screw 3/8-16 x .75 |
| 9 | 710-3005 | 1 | /P | Hex Cap Screw 3/8-16 x 1.25 |
| 10 | 710-3178 | 1 | /P | Carriage Bolt 3/8-16 x .75 |
| 11 | 711-1111 | 1 | | Control Shaft |
| 12 | 711-1124 | 1 | | Pin |
| 13 | 712-0312 | 1 | S | Hex Jam Nut LH 3/8-24 |
| 14 | 712-0365 | 1 | | Hex Center Lock Nut |
| 15 | 712-0431 | 1 | S | Hex Flange Lock Nut 3/8-16 |
| 16 | 712-0453 | 1 | | Retainer 1/4-20 |
| 17 | 712-0711 | 1 | /P | Hex Jam Nut 3/8-24 |
| 18 | 712-3001 | 1 | S | Hex Jam Nut 3/8-24 |
| 19 | 712-3004A | 1 | /P | Hex Flange Lock Nut 5/16-18 |
| 20 | 714-0104 | 1 | S | Cotter Pin |
| 21 | 723-0420 | 1 | S | Spherical Rod End RH 3/8-24 |
| 22 | 723-0421 | 1 | S | Spherical Rod End LH 3/8-24 |
| 23 | 727-3113 | 1 | | Damper Cylinder |
| 24 | 732-3084 | 1 | | Spring Compression |
| 25 | 736-0169 | 1 | S | Lock Washer 3/8 |
| 26 | 736-0539 | 1 | | Thrust Washer .625 ID x 1.12 OD |
| 27 | 736-3004 | 1 | S | Flat Washer .406 ID x .875 OD |
| 28 | 737-0280 | 1 | S | Grease Fitting |
| 29 | 737-3072 | 1 | | Grease Fitting w/Tube |
| 30 | 737-3073 | 1 | | Adapter 1/4-20 |
| 31 | 738-0296 | 1 | S | Shoulder Bolt .437 Dia. x .268 |
| 32 | 738-3153 | 1 | | Shoulder Bolt |
| 33 | 741-3063 | 1 | | Sleeve Bearing |
| 34 | 747-3281 | 1 | | Control Rod LH 31-5/8 |
| 35 | 747-3282 | 1 | | Control Rod RH 35-3/8 |
| 36 | 736-0300 | 1 | S | Flat Washer .406 ID x .87 OD |
| 37 | 703-3405 | 1 | | Support Plate |



ZT-2250 (2001)
 Engine Accessories, PTO, Muffler

Page 17 of 36

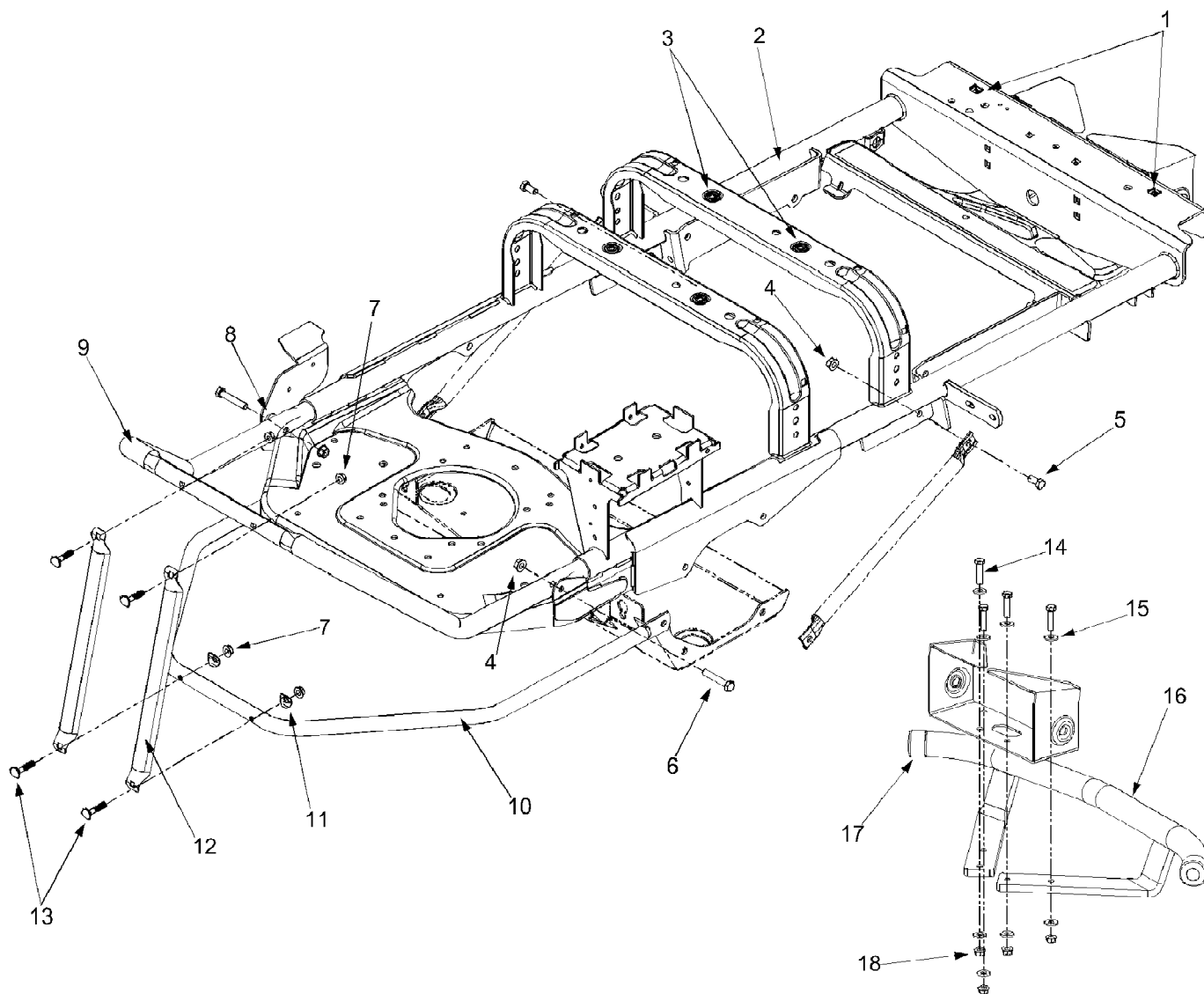
| Ref # | Part Number | Qty | S/P/F | Description |
|-------|-------------|-----|-------|-------------------------------------|
| 1 | 710-3009 | 1 | /P | Screw #10-24 x .750 |
| 2 | 746-3070 | 1 | | Throttle Cable Control 40.5" |
| 3 | 746-3069 | 1 | | Choke Cable Control 52.0" |
| 4 | 712-0161 | 1 | /P | Nylon Lock Nut #10-24 |
| 5 | 751-3141 | 1 | S | Oil Drain Hose |
| 6 | 751-3142 | 1 | | Oil Drain Cap |
| 7 | 751-3140 | 1 | S | Oil Drain |
| 8 | 751-0535 | 1 | | Fuel Line Hose |
| 9 | 726-0205 | 1 | /P | Hose Clamp |
| 10 | 710-0751 | 1 | /P | Hex Cap Screw 1/4-20 x .620 |
| 11 | 736-3006 | 1 | | Lock Washer 1/4 ID x 3/4 OD |
| 12 | 736-0270 | 1 | /P | Bell Washer .265 ID x .75 OD |
| 13 | 725-3001 | 1 | S | Solenoid Switch |
| 14 | 712-0291 | 1 | S | Lock Nut 1/4-20 |
| 15 | 736-0119 | 1 | S | Lock Washer 5/16 |
| 16 | 712-3010 | 1 | S | Hex Nut 5/16 - 18 |
| 17 | 712-3071 | 1 | S | Hex Nut #10-32 |
| 18 | 712-0431 | 1 | S | Flange Lock Nut 3/8-16 |
| 19 | 736-0258 | 1 | /P | Flat Washer .385 ID x 1.0 OD |
| 20 | 747-3362 | 1 | | Rear Belt Retainer Rod |
| 21 | 703-2859 | 1 | | Muffler Bracket |
| 22 | 710-3178 | 1 | /P | Carriage Bolt 3/8-16 x .75 |
| 23 | 710-0642 | 1 | /P | Hex Washer Screw 1/4-20 x .750 |
| 24 | 751-0650 | 1 | S | Exhaust Pipe RH |
| 25 | 751-0651 | 1 | S | Exhaust Pipe LH |
| 26 | 710-1314 | 1 | S | Screw |
| 27 | 603-0317 | 1 | S | Clutch Retainer Ass'y |
| 28 | 712-0291 | 1 | S | Hex Lock Nut 1/4-20 |
| 29 | 726-3008 | 1 | /P | Heat Shield Cable Clip |
| 30 | 710-1007 | 1 | /P | Hex Washer Screw 3/8-16 x 1.5 |
| 31 | 736-3010 | 1 | | Flat Washer |
| 32 | 710-1008 | 1 | | Hex Washer Screw 3/8-16 x 1.875 |
| 33 | 721-0460 | 1 | | Gasket |
| 34 | 703-3004 | 1 | S | Muffler Guard |
| 35 | 751-0616 | 1 | S | Muffler |
| 36 | 756-3060A | 1 | /P | Pulley |
| 37 | 754-3100 | 1 | S | V-Belt |
| 38 | 714-0128 | 1 | /P | Key |
| 39 | 725-0157 | 1 | /P | Cable Tie |
| 40 | 717-3389 | 1 | S | Electric PTO Clutch |
| 41 | 751-0564 | 1 | S | Muffler Deflector |
| 42 | 710-0148 | 1 | /P | Hex Washer Screw #8-32 x .375 |
| 43 | 750-3106 | 1 | | Spacer Clutch |
| 44 | 736-0171 | 1 | S | Lock Washer 7/16 |
| 45 | 710-3157 | 1 | S | Hex Cap Screw 7/16-20 x 3.25 |
| 46 | 710-1237 | 1 | | Hex Washer Screw #10-32 x .625 |
| 47 | 751B221535 | 1 | /P | Casing Clamp |
| | 629-3038A | 1 | | Engine Harness Assembly (Not Shown) |



ZT-2250 (2001)
Final Drive Assembly

Page 19 of 36

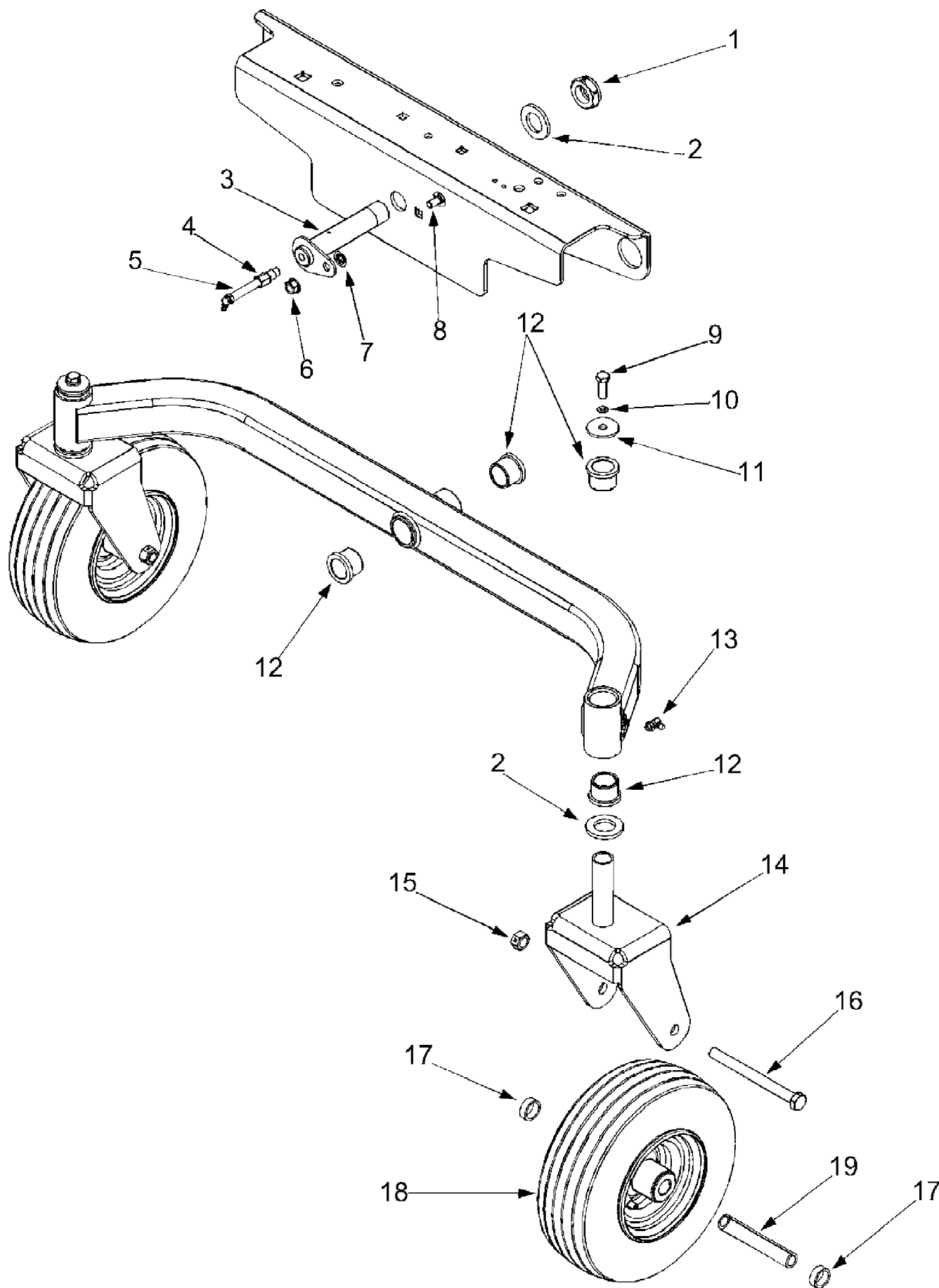
| Ref # | Part Number | Qty | S/P/F | Description |
|-------|-------------|-----|-------|-----------------------------------|
| | 618-3110A | 1 | S | Drive Ass'y Complete |
| 1 | 611-3012 | 1 | S | Axle Assembly |
| | 710-0852 | 1 | /P | Ribbed Neck Stud |
| 2 | 618-3106 | 1 | S | Carrier Assembly, Output |
| 3 | 618-3107 | 1 | S | Gear Assembly, 51T Internal & 20T |
| 4 | 618-3109 | 1 | S | Housing Ass'y |
| 5 | 710-1342 | 1 | | Hex Washer Screw 1/4-20 x 1-1/8 |
| 6 | 711-1048 | 1 | | Brake Shaft |
| 7 | 712-3027 | 1 | S | Hex Flange Lock Nut 1/4-20 |
| 8 | 715-0156 | 1 | | Roll Pin |
| 9 | 715-0219 | 1 | | Dowel Pin |
| 10 | 715-3045 | 1 | S | Bushing |
| 11 | 716-3015 | 1 | | Inverted Retaining Ring |
| 12 | 716-3018 | 1 | | Snap Ring |
| 13 | 717-3395 | 1 | | Spur Gear 13T |
| 14 | 717-3397 | 1 | | Ring Gear 46T |
| 15 | 719-3114 | 1 | S | Axle Outer Housing |
| 16 | 721-0381 | 1 | S | Oil Seal |
| 17 | 721-0393 | 1 | | Oil Seal |
| 18 | 727-3124 | 1 | S | Elbow Fitting |
| 19 | 732-0752 | 1 | | Brake Shoe Spring |
| 20 | 736-0351 | 1 | S | Shim Washer .76 x 1.5 x .030 |
| | 736-0492 | 1 | S | Shim Washer .76 x 1.5 x .010 |
| | 736-0493 | 1 | S | Shim Washer .76 x 1.5 x .020 |
| 21 | 741-0665 | 1 | /P | Needle Bearing |
| 22 | 741-3033A | 1 | S | Ball Bearing |
| 23 | 741-3080 | 1 | | Needle Bearing |
| 24 | 761-3049 | 1 | | Shoe Brake |



ZT-2250 (2001)
Frame

Page 21 of 36

| Ref # | Part Number | Qty | S/P/F | Description |
|-------|-------------|-----|-------|-------------------------------|
| 1 | 712-0251 | 1 | | Retainer Nut 3/8-16 |
| 2 | 603-0720B | 1 | S | Frame Assembly |
| 3 | 712-0455 | 1 | | Retainer Nut 3/8-16 |
| 4 | 712-0431 | 1 | S | Flange Lock Nut 3/8-16 |
| 5 | 710-0216 | 1 | /P | Hex Cap Screw 3/8-16 x .75 |
| 6 | 710-3144 | 1 | /P | Hex Cap Screw 3/8-16 x 2.0 |
| 7 | 712-3004A | 1 | /P | Flange Lock Nut 5/16-18 |
| 8 | 736-0258 | 1 | /P | Flat Washer .385 x 1.0 x .135 |
| 9 | 749-3062 | 1 | | Upper Bumper |
| 10 | 749-3061 | 1 | | Lower Bumper Tube |
| 11 | 736-0451 | 1 | S | Washer .320 ID x .93 OD |
| 12 | 703-3504 | 1 | S | Bumper Bracket |
| 13 | 710-1250 | 1 | /P | Carriage Bolt 5/16 x 1.5 |
| 14 | 710-0520 | 1 | /P | Hex Cap Screw 3/8-16 x 1.5 |
| 15 | 736-3004 | 1 | S | Flat Washer .406 ID x .875 OD |
| 16 | 603-0620A | 1 | S | Front Bumper |
| 17 | 726-0298 | 1 | | End Cap |
| 18 | 712-0431 | 1 | S | Flange Lock Nut 3/8-16 |

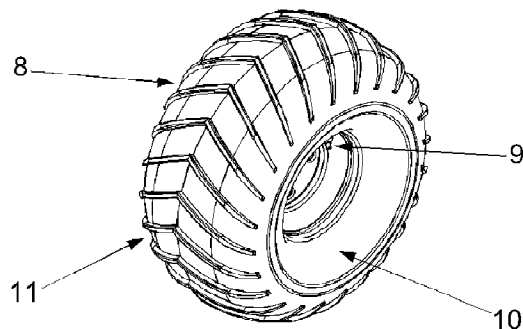
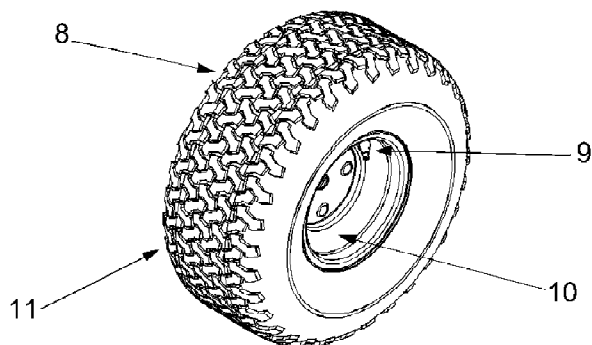
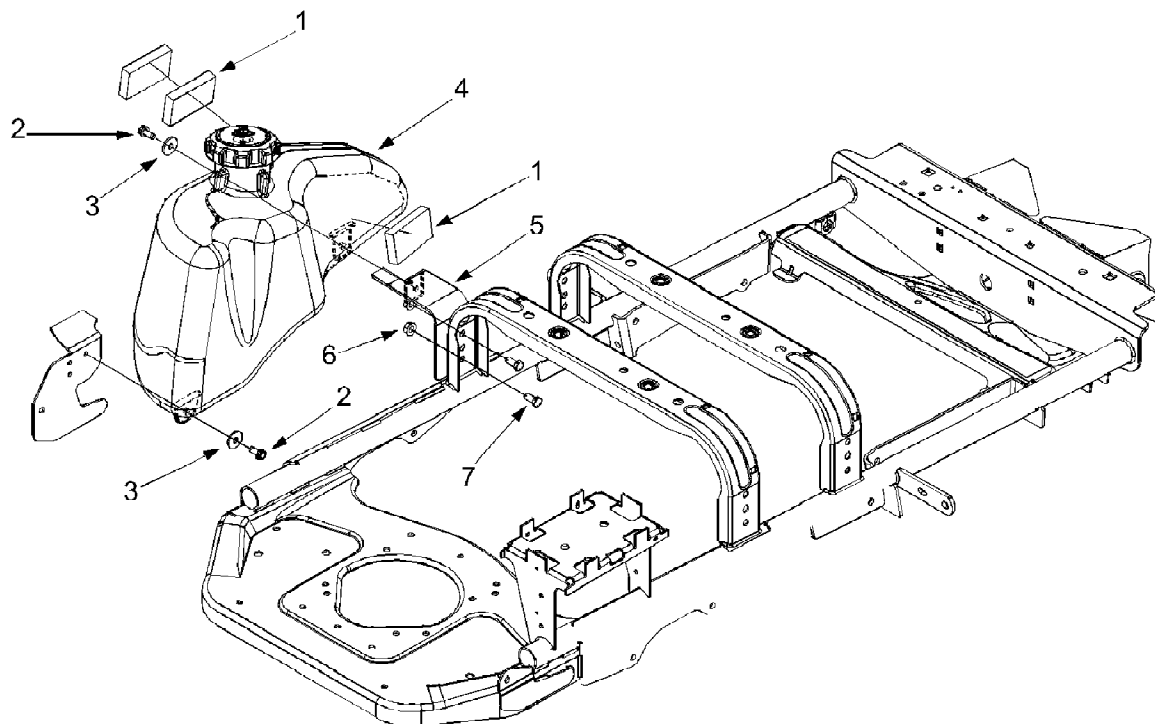


ZT-2250 (2001)
Front Axle & Tires

Page 23 of 36

| Ref # | Part Number | Qty | S/P/F | Description |
|-------|-------------|-----|-------|---------------------------------|
| 1 | 712-3075 | 1 | /P | Hex Lock Nut, 1.0-14 |
| 2 | 736-0274 | 1 | S | Flat Washer |
| 3 | 603-0389A | 1 | | Pin Ass'y, Pivot |
| 4 | 737-3090 | 1 | S | Adapter, 1/8 NPTF x 1/8 NPTF |
| 5 | 737-3072 | 1 | | Grease Fitting, 65° w/Extension |
| 6 | 712-0431 | 1 | S | Hex Flange Lock Nut, 3/8-16 |
| 7 | 712-0229 | 1 | | Push Nut, 3/8 ID |
| 8 | 710-3178 | 1 | /P | Carriage Bolt, 3/8-16 x .75 |
| 9 | 710-0514 | 1 | /P | Hex Cap Screw, 3/8-16 x 1.0 |
| 10 | 736-0169 | 1 | S | Lock Washer 3/8 |
| 11 | 736-0227 | 1 | S | Flat Washer 3/8 x 1.5 |
| 12 | 731-0374 | 1 | S | Flange Bearing 1.0 ID |
| 13 | 737-0280 | 1 | S | Grease Fitting |
| 14 | 603-0363 | 1 | | Castor Wheel Bracket |
| 15 | 712-0239 | 1 | S | Hex Center Lock Nut 1/2-20 |
| 16 | 710-0506 | 1 | /P | Hex Cap Screw, 1/2-20 x 5.5 |
| 17 | 750-0456 | 1 | S | Spacer, .79 ID x .347 Lg |
| 18 | 634-3164 | 1 | | Wheel Comp 11.0 x 4.0 x 5.0 |
| 19 | 750-3197A | 1 | /P | Wheel Spacer |
| ?20 | 603-0382 | 1 | S | Front Axle Ass'y |

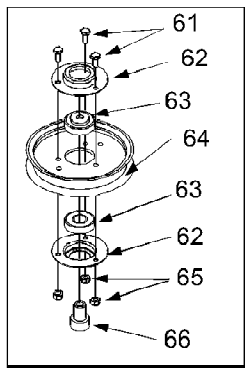
ZT-2250 (2001)
Fuel Tank & Rear Wheels



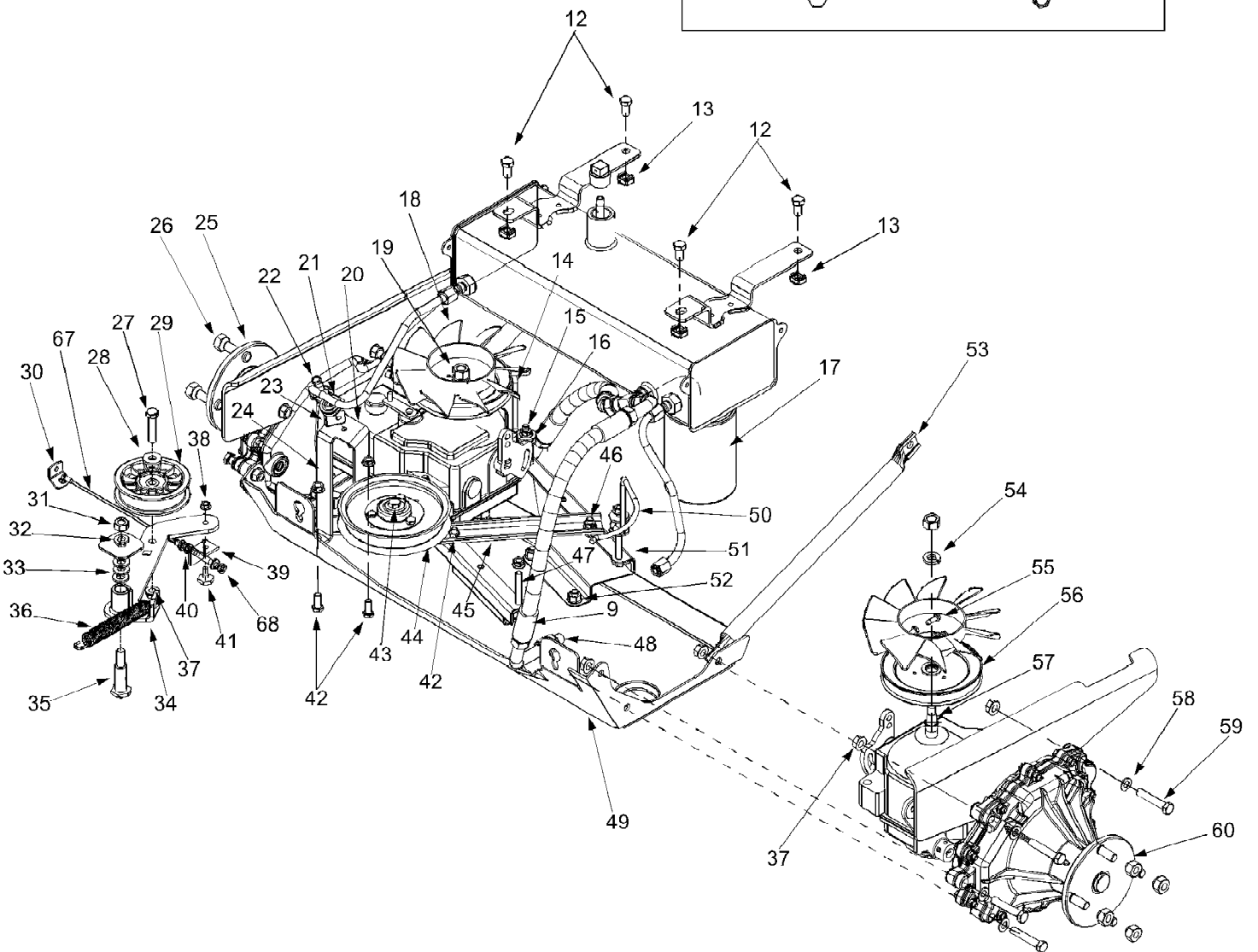
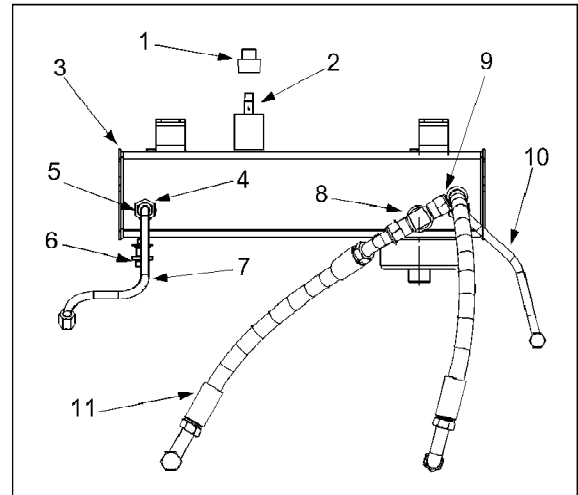
ZT-2250 (2001)
Fuel Tank & Rear Wheels

Page 25 of 36

| Ref # | Part Number | Qty | S/P/F | Description |
|-------|-------------|-----|-------|---|
| 1 | 722-0265 | 1 | | Foam 2.04 x 3.50 x .62 |
| 2 | 710-1260A | 1 | /P | Hex Washer Screw 5/16-18 x .75 |
| 3 | 736-0231 | 1 | S | Flat Washer .344 ID x 1.125 OD |
| 4 | 651-3004 | 1 | | Tank Assembly 4.0 Gallon |
| 5 | 703-3490 | 1 | | Fuel Tank Mounting Bracket |
| 6 | 712-0431 | 1 | S | Flange Lock Nut 3/8-16 |
| 7 | 710-0216 | 1 | /P | Hex Cap Screw 3/8-16 x .75 |
| 8 | 734-1596 | 1 | | Tire 20 x 8 - 8 (ZT-1850) |
| | 734-3163 | 1 | | Tire 22 x 11-8 (ZT-2150 & ZT-2250) |
| 9 | 634-3005 | 1 | S | Rim Ass'y 8 x 6.19 (ZT-1850) |
| | 634-3030 | 1 | S | Rim Ass'y 8 x 6.19 (ZT-2150 & ZT-2250) |
| 10 | 734-0255 | 1 | S | Tubeless Air Valve |
| 11 | 634-3050 | 1 | S | Wheel Comp 20 x 8-8 (ZT-1850) |
| | 634-3051 | 1 | | Wheel Comp 22 x 11-8 RH (ZT-2150 & ZT-2250) |
| | 634-3052 | 1 | | Wheel Comp 22 x 11-8 LH (ZT-2150 & ZT-2250) |



44



ZT-2250 (2001)
Hydraulic Drive, Lines & Filter

Page 27 of 36

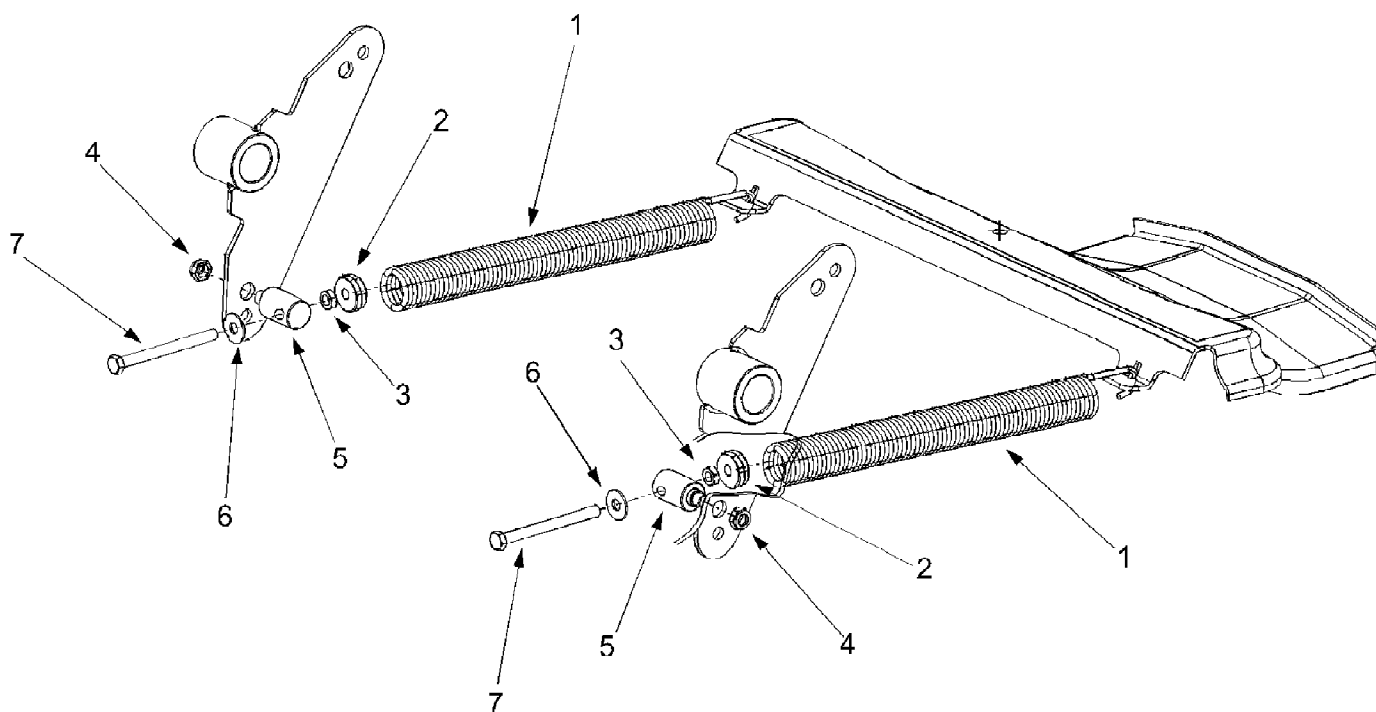
| Ref # | Part Number | Qty | S/P/F | Description |
|-------|-------------|-----|-------|--|
| 1 | 737-3069 | 1 | | Pipe Plug |
| 2 | 737-3070A | 1 | | Pipe Dipstick |
| 3 | 603-0639 | 1 | | Hydraulic Tank Assembly |
| 4 | 727-3116 | 1 | S | Connection Fitting |
| 5 | 721-0223 | 1 | S | Seal |
| 6 | 738-0940 | 1 | /P | Drain Plug |
| 7 | 727-3120 | 1 | | Inlet Tube LH |
| 8 | 727-3155 | 1 | | Tee Fitting |
| 9 | 727-3154 | 1 | | Outlet Hose RH |
| 10 | 727-3121 | 1 | | Inlet Tube RH |
| 11 | 727-3153 | 1 | | Outlet Hose LH |
| 12 | 710-0216 | 1 | /P | Hex Cap Screw 3/8-16 x .75 |
| 13 | 712-0455 | 1 | | Retainer Nut 3/8-16 |
| 14 | 747-3360 | 1 | S | Belt Retainer Rod RH |
| 15 | 710-0378 | 1 | /P | Hex Cap Screw 5/16-18 x 2.5 |
| 16 | 736-3089 | 1 | /P | Flat Washer 5/16 |
| 17 | 723-3071 | 1 | | Filter Element |
| 18 | 731-1449A | 1 | S | Fan Blade |
| 19 | 712-0333 | 1 | S | Hex Nut 1/2-20 |
| 20 | 703-3168 | 1 | | Mounting Pulley Bracket |
| 21 | 756-0625 | 1 | | Roller Cable |
| 22 | 738-0924 | 1 | S | Hex Shoulder Screw 1/4-28 x .375 |
| 23 | 703-3169 | 1 | | Retainer Cable Bracket |
| 24 | 712-0117 | 1 | S | Lock Nut 1/4-28 |
| 25 | 618-3165 | 1 | | Complete Transmission Assembly LH |
| 26 | 712-3050 | 1 | /P | Lug Nut |
| 27 | 710-0347 | 1 | /P | Hex Cap Screw 3/8-16 x 1.75 |
| 28 | 736-0258 | 1 | /P | Flat Washer .385 ID x 1.0 OD |
| 29 | 756-0627B | 1 | S | Flat Idler Pulley 3.5 OD |
| 30 | 703-3174 | 1 | | Mounting Bracket Cable |
| 31 | 712-3019 | 1 | S | Hex Nut 7/16-14 |
| 32 | 736-0171 | 1 | S | Lock Washer 7/16 |
| 33 | 736-3015 | 1 | S | Flat Washer .469 ID x .875 OD |
| 34 | 603-0377A | 1 | S | Idler Arm Assembly |
| 35 | 603-0102 | 1 | | Shoulder Screw |
| 36 | 732-0478 | 1 | S | Extension Spring 6.12 Lg |
| 37 | 712-0431 | 1 | S | Flange Lock Nut 3/8-16 |
| 38 | 712-3027 | 1 | S | Lock Nut 1/4-20 |
| 39 | 703-3380 | 1 | /P | Declutching Cable Bracket |
| 40 | 736-0119 | 1 | S | Lock Washer 5/16 |
| 41 | 738-0704 | 1 | S | Shoulder Screw |
| 42 | 710-3008 | 1 | /P | Hex Cap Screw 5/16-18 x .75 |
| 43 | 710-3011 | 1 | /P | Hex Cap Screw 3/8-16 x 2.25 Models ZT-2150 & ZT-2250 Only |
| 44 | 603-0362 | 1 | S | Idler Pulley Assembly 5.0" Models ZT-2150 & ZT-2250 Only |
| 45 | 703-2888 | 1 | S | Idler Bracket |
| 46 | 712-3004A | 1 | /P | Flange Lock Nut 5/16-18 |
| 47 | 710-3103 | 1 | /P | Hex Cap Screw 5/16-18 x 2.0 |
| 48 | 727-3100 | 1 | S | Connection Fitting 1/2 x 3/8 |
| 49 | 603-0358B | 1 | S | Skid Plate Assembly |
| 50 | 747-3361 | 1 | | |

ZT-2250 (2001)
Hydraulic Drive, Lines & Filter

Page 28 of 36

| Ref # | Part Number | Qty | S/P/F | Description |
|-------|-------------|-----|-------|-----------------------------------|
| 51 | 603-0450 | 1 | S | Support Pump Assembly |
| 52 | 710-3178 | 1 | /P | Carriage Bolt 3/8-16 x .75 |
| 53 | 749-3040 | 1 | | Frame Strut |
| 54 | 736-0921 | 1 | S | Lock Washer 1/2 |
| 55 | 710-1189 | 1 | | Hex Washer Screw #12-24 x .625 |
| 56 | 756-0974 | 1 | /P | Transmission Pulley |
| 57 | 732-0729 | 1 | /P | Wire Ring |
| 58 | 736-0185 | 1 | S | Flat Washer |
| 59 | 710-3144 | 1 | /P | Hex Cap Screw 3/8-16 x 2.0 |
| 60 | 618-3164 | 1 | | Complete Transmission Assembly RH |
| 61 | 710-0751 | 1 | /P | Hex Cap Screw 1/4-20 x .62 |
| 62 | 703-2907 | 1 | | Bearing Cup |
| 63 | 741-0600 | 1 | S | Ball Bearing |
| 64 | 756-3085 | 1 | | Idler Pulley 5.0" |
| 65 | 712-0324 | 1 | /P | Hex Lock Nut 1/4-20 |
| 66 | 750-3176 | 1 | | Idler Spacer |
| 67 | 746-3083 | 1 | | Declutching Cable |
| 68 | 712-3007 | 1 | /P | Jam Nut 5/16-18 |

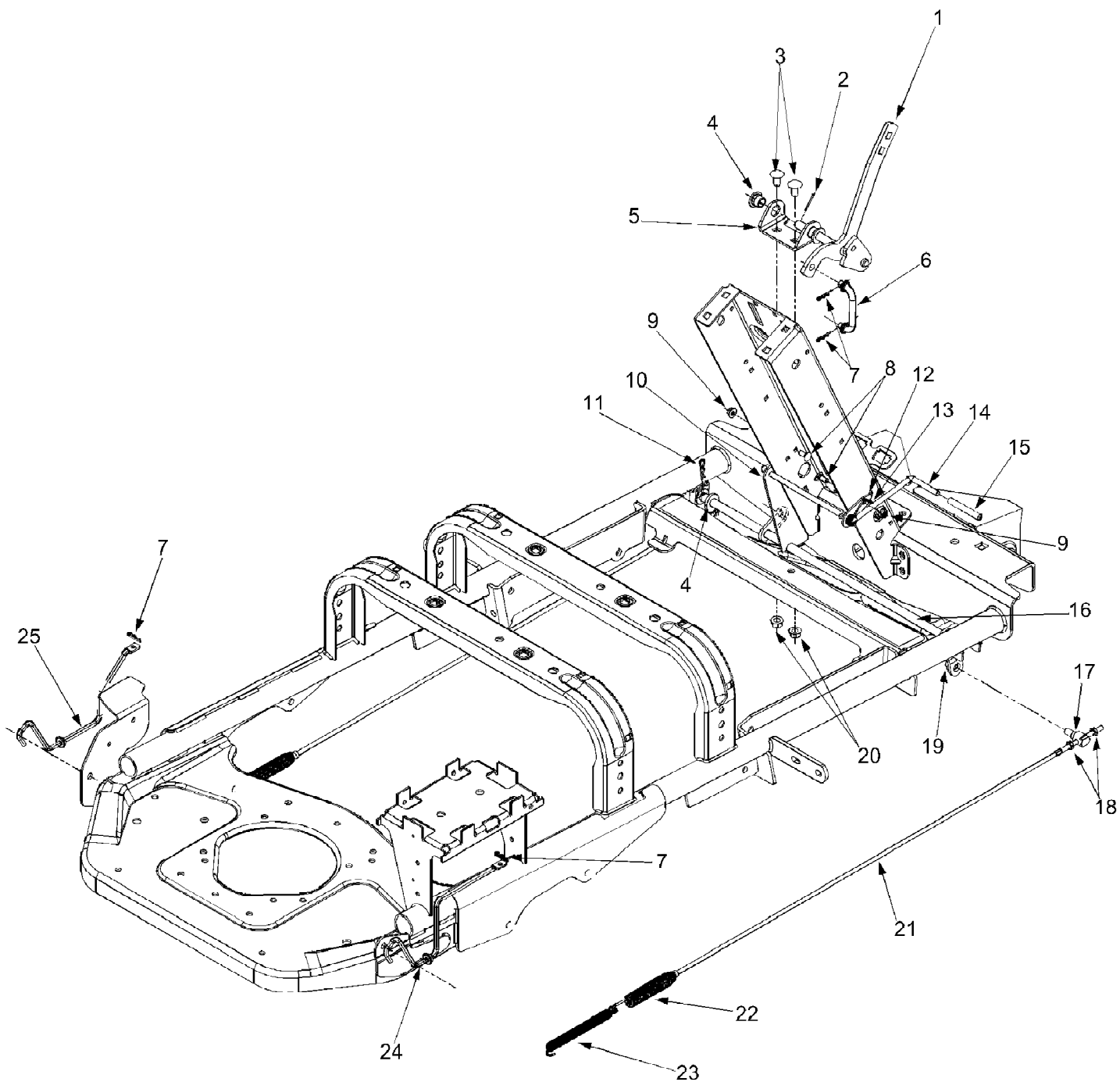
ZT-2250 (2001)
Lift Assist Springs



ZT-2250 (2001)
Lift Assist Springs

Page 30 of 36

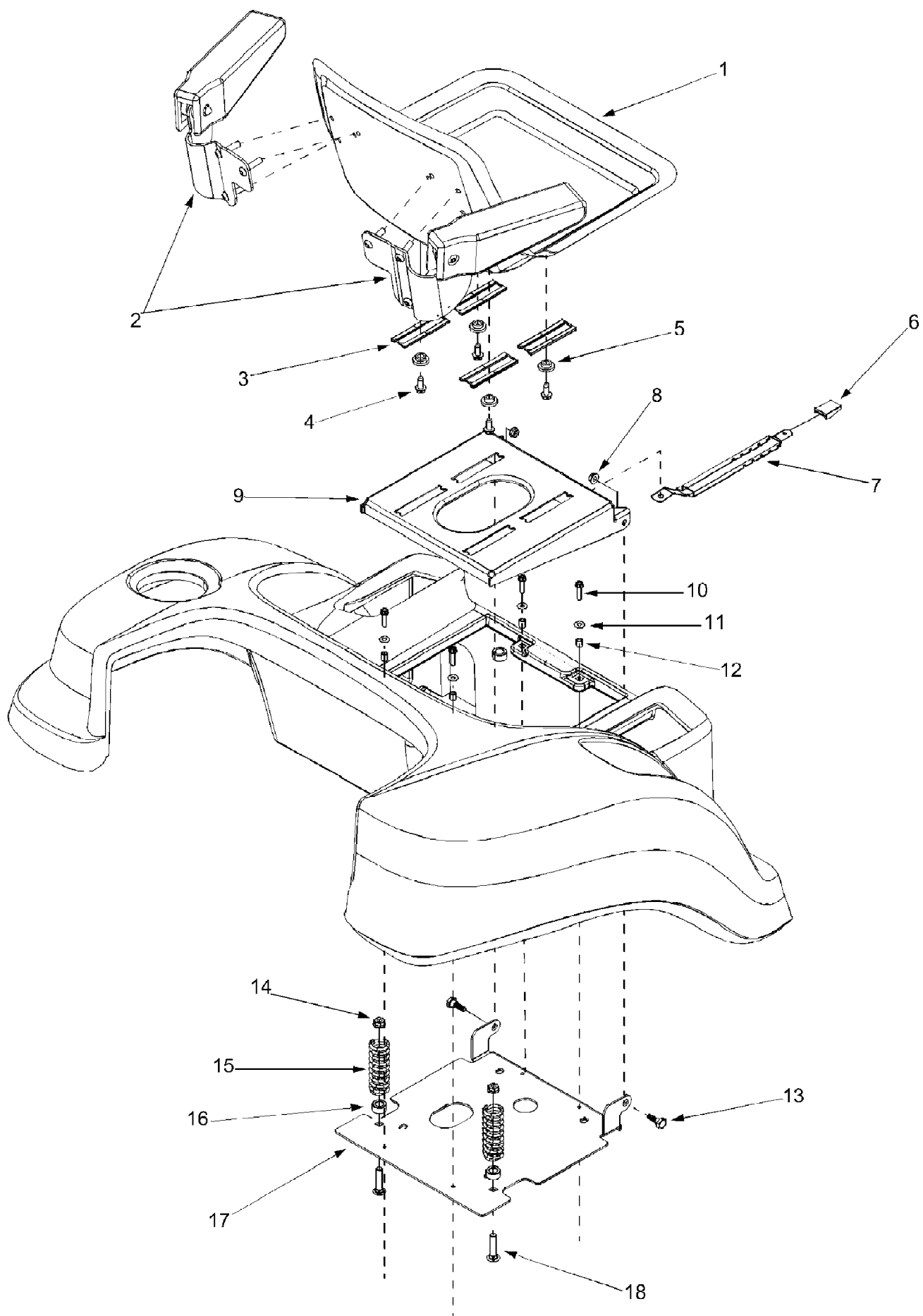
| Ref # | Part Number | Qty | S/P/F | Description |
|-------|-------------|-----|-------|------------------------------------|
| 1 | 732-0772 | 1 | | Extension Spring 1.25 OD x 11.5 Lg |
| 2 | 711-0509 | 1 | | Spring |
| 3 | 712-3007 | 1 | /P | Hex Jam Nut 5/16-18 |
| 4 | 712-0116 | 1 | S | Jam Lock Nut 3/8-24 |
| 5 | 711-1059 | 1 | | Ferrule |
| 6 | 736-0159 | 1 | S | Washer 5/16 |
| 7 | 710-1207 | 1 | /P | Hex Cap Screw 5/16-18 x 3.50 |



ZT-2250 (2001)
 Parking Brake & Linkage

Page 32 of 36

| Ref # | Part Number | Qty | S/P/F | Description |
|-------|-------------|-----|-------|-----------------------------------|
| 1 | 603-0649 | 1 | | Parking Brake Shift Ass'y |
| 2 | 714-3004 | 1 | | Cotter Pin |
| 3 | 710-3178 | 1 | /P | Carriage Bolt 3/8-16 x .75 |
| 4 | 741-0324 | 1 | S | Hex Flange Bearing .506 ID x .590 |
| 5 | 703-3400 | 1 | | Brake Mounting Bracket |
| 6 | 747-3404 | 1 | | Connecting Brake Rod |
| 7 | 714-0104 | 1 | S | Cotter Pin |
| 8 | 710-0134 | 1 | /P | Carriage Screw 1/4-20 x .62 |
| 9 | 712-3027 | 1 | S | Hex Flange Lock Nut 1/4-20 |
| 10 | 703-3405 | 1 | | Support Plate |
| 11 | 714-0101 | 1 | S | Cotter Pin |
| 12 | 703-2857 | 1 | | Retaining Rod Bracket |
| 13 | 732-0827 | 1 | | Torsion Spring 5/16 |
| 14 | 747-3397 | 1 | | Parking Brake Retaining Rod |
| 15 | 735-0664 | 1 | | Parking Brake Pad |
| 16 | 603-0683 | 1 | | Brake Rod Ass'y |
| 17 | 711-3357 | 1 | S | Ferrule |
| 18 | 712-0314 | 1 | | Jam Nut 1/4-28 |
| 19 | 736-0258 | 1 | /P | Flat Washer .385 ID x 1.0 OD |
| 20 | 712-0431 | 1 | S | Flange Lock Nut 3/8-16 |
| 21 | 747-3266A | 1 | /P | Bracket Rod |
| 22 | 732-0463 | 1 | S | Extension Spring |
| 23 | 732-0800 | 1 | | Extension Spring |
| 24 | 747-3284 | 1 | | Release Pump Rod RH |
| 25 | 747-3363 | 1 | | Release Pump Rod LH |

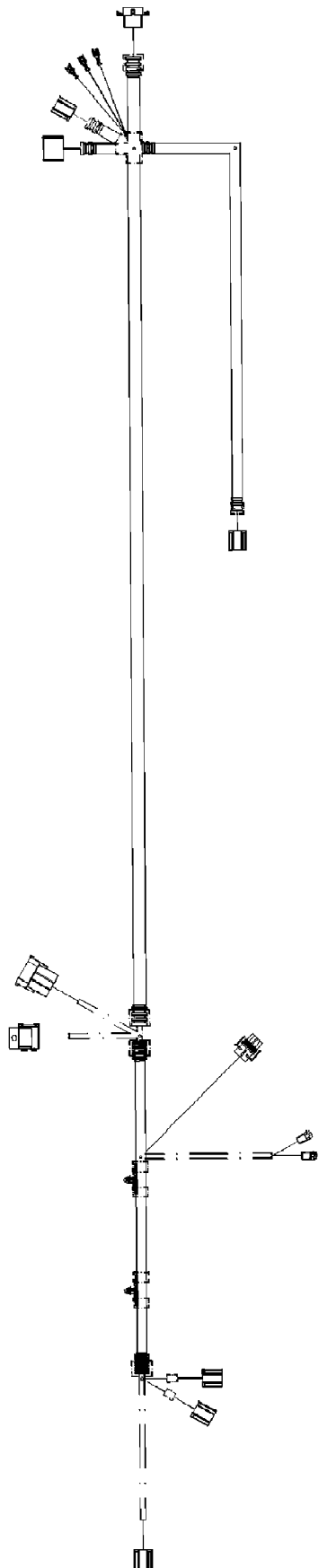


ZT-2250 (2001)
Seat Assembly

Page 34 of 36

| Ref # | Part Number | Qty | S/P/F | Description |
|-------|-------------|-----|-------|----------------------------------|
| 1 | 757-0375B | 1 | S | Seat Ass'y |
| 2 | 757-3009 | 1 | | Seat Arm Ass'y (If Equipped) |
| 3 | 731-3154 | 1 | | Seat Slide |
| 4 | 710-1260A | 1 | /P | Hex Washer Screw 5/16-18 x .750 |
| 5 | 738-0372 | 1 | S | Shoulder Spacer |
| 6 | 720-0190 | 1 | S | Height Adjuster Knob |
| 7 | 732-3098 | 1 | | Spring Index |
| 8 | 712-3004A | 1 | /P | Flange Lock Nut 5/16-18 |
| 9 | 603-0294 | 1 | S | Seat Base Bracket Ass'y |
| 10 | 710-0788 | 1 | /P | Hex Washer Screw 1/4-20 x 1.0 |
| 11 | 736-0463 | 1 | S | Flat Washer .25 x .630 |
| 12 | 750-3276 | 1 | | Spacer |
| 13 | 738-0296 | 1 | S | Shoulder Screw |
| 14 | 712-3005 | 1 | S | Flange Lock Nut 3/8-16 |
| 15 | 732-3080 | 1 | S | Compression Spring |
| 16 | 750-0664 | 1 | | Spacer |
| 17 | 603-0730 | 1 | S | Seat Plate Ass'y |
| 18 | 710-0560 | 1 | /P | Hex Carriage Screw 3/8-16 x 1.75 |

629-3070



ZT-2250 (2001)
Wire Harness

| Ref # | Part Number | Qty | S/P/F | Description |
|----------|-------------|-----|-------|-------------------|
| 629-3070 | 629-3070 | 1 | | HARNESS-MAIN WIRE |
