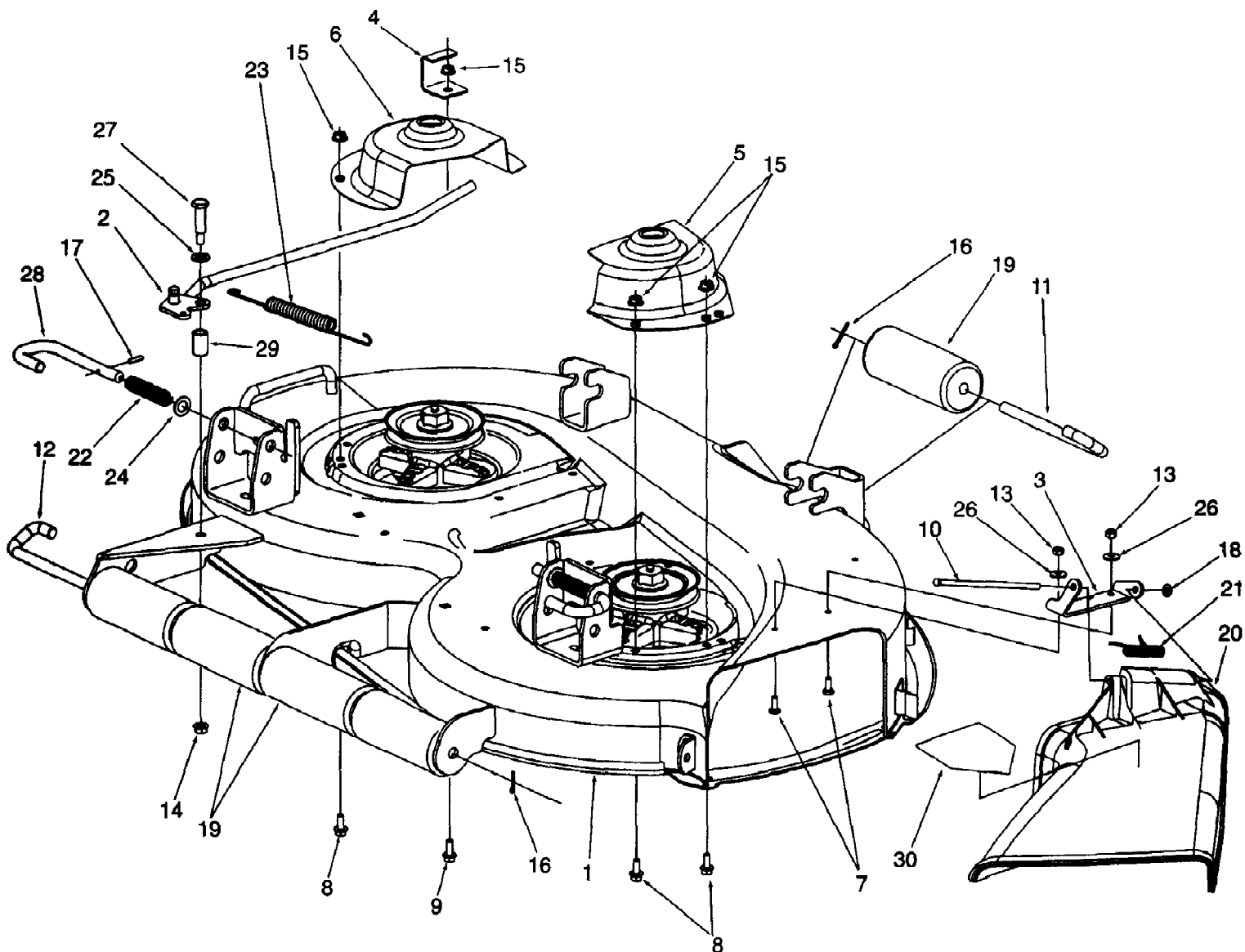


Z-16
42" Deck Assembly

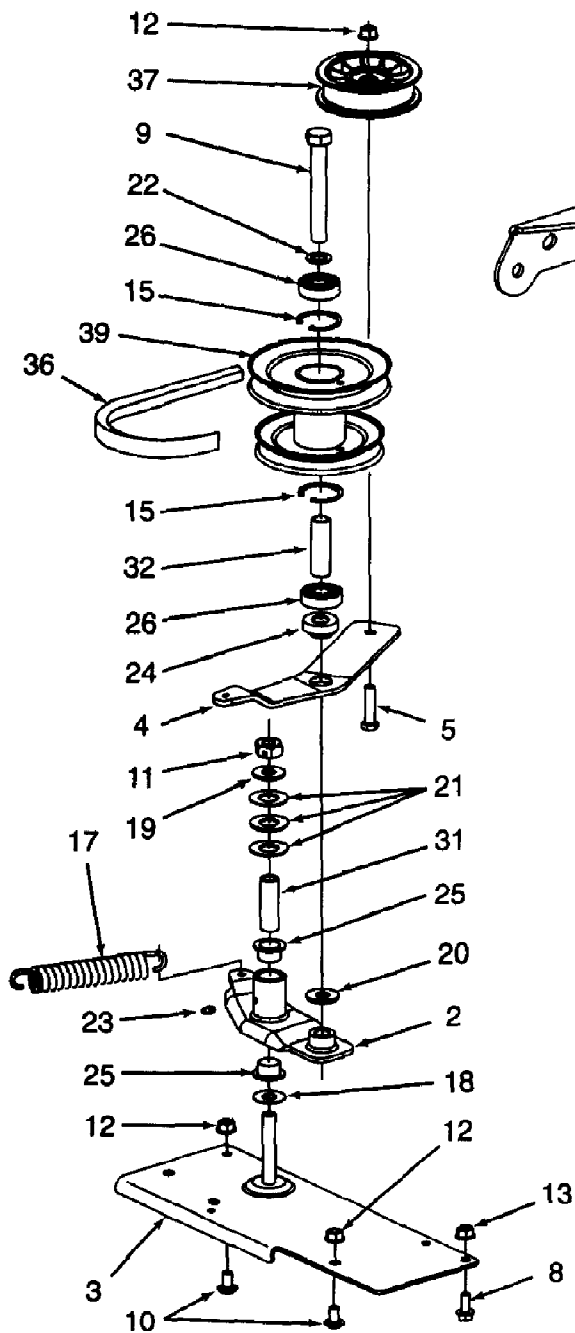
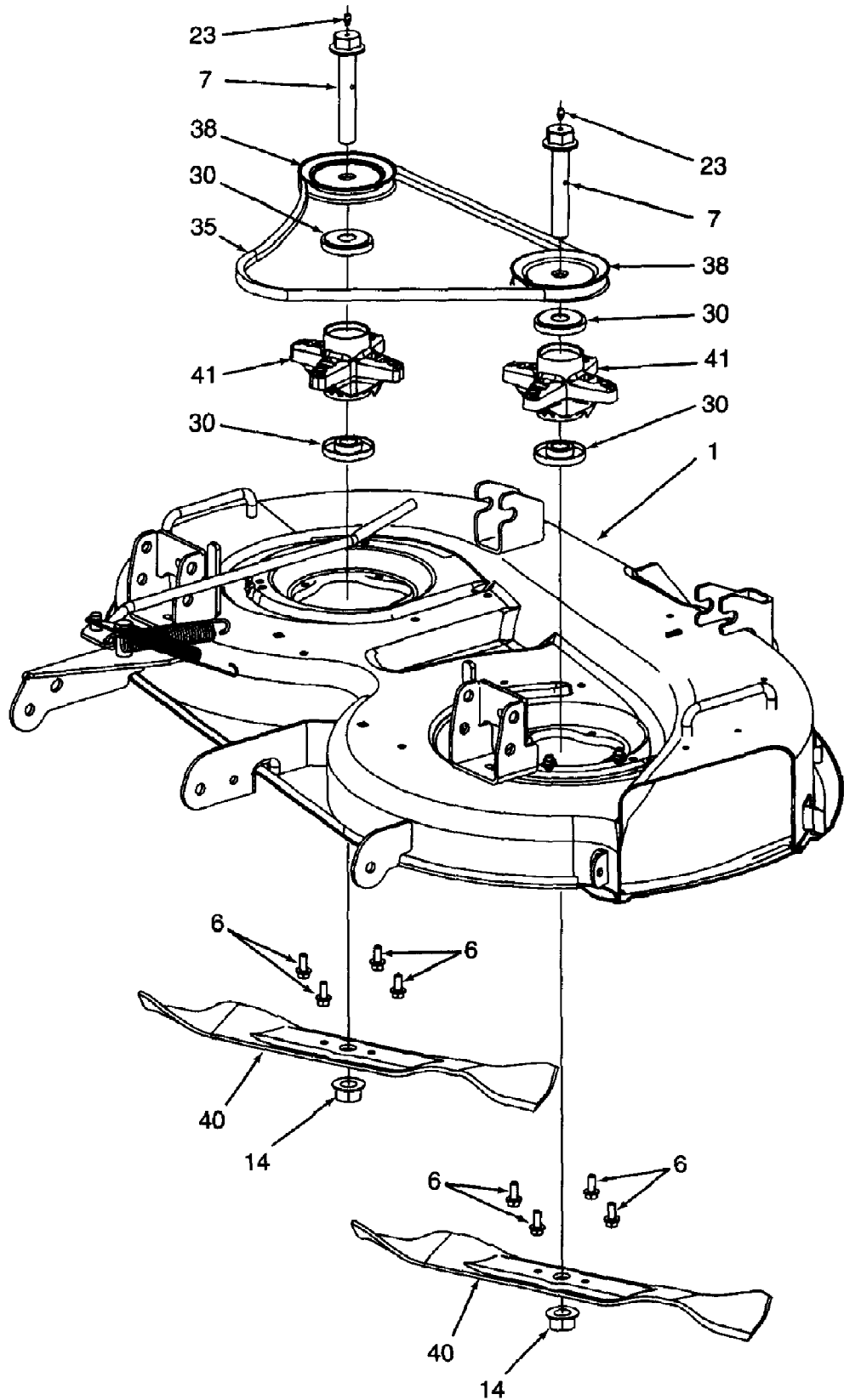
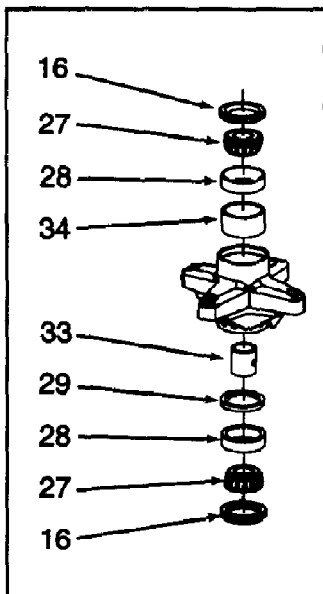


Z-16
42" Deck Assembly

Page 2 of 42

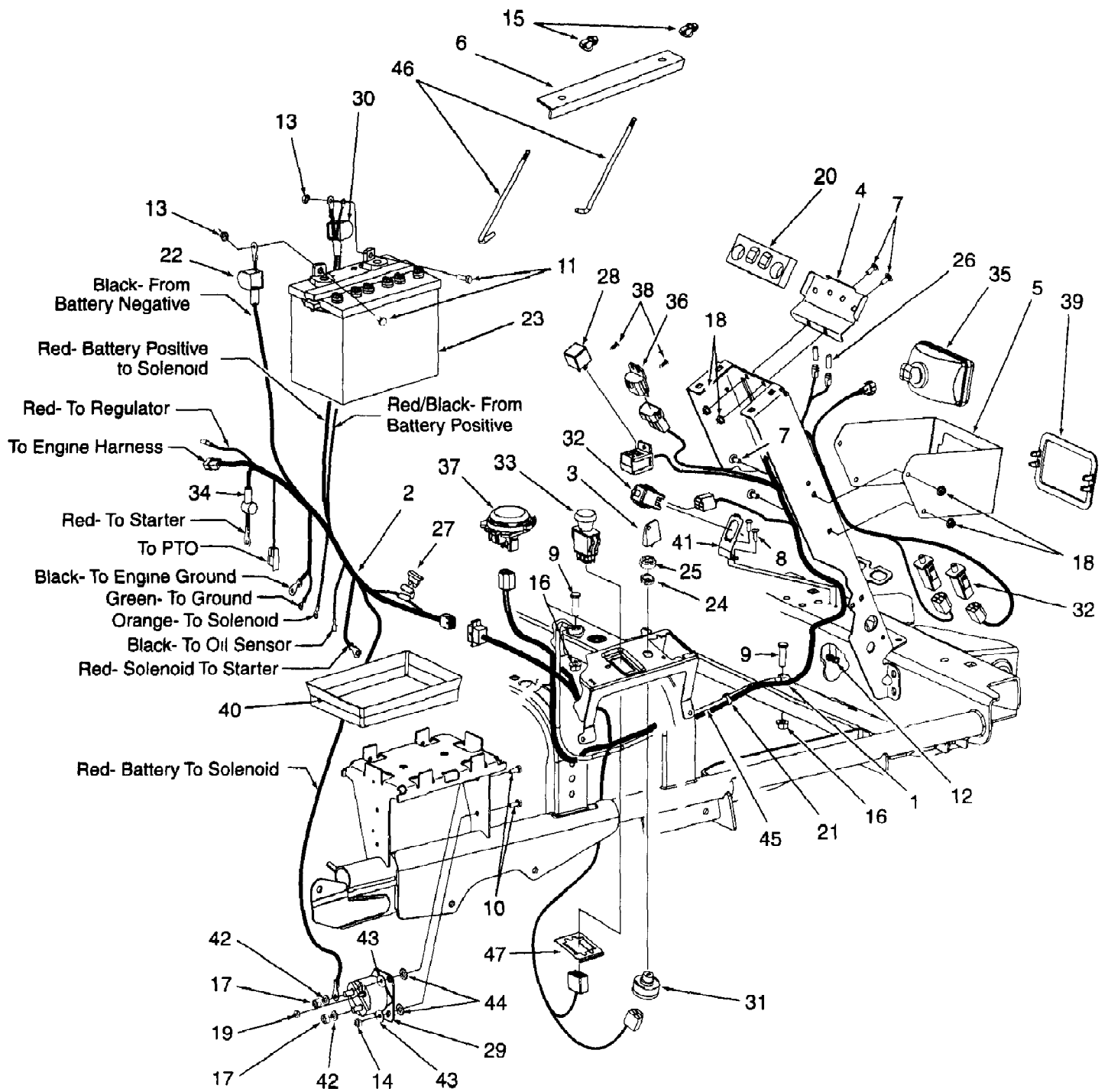
Ref #	Part Number	Qty	S/P/F	Description
1	603-0316	1		Housing Ass'y, 42" Mower Deck
	777-1426	1	S	Label, Danger, Top of Deck
	777-9192B	1	S	Label, Safety, Top of Deck
2	603-0580	1		Rod Ass'y, Engagement
3	703-1693	1	S	Bracket, Hinge Mounting
4	703-2559	1		Bracket, Stop
5	703-2944A	1	S	Shield, RH Pulley
6	703-2945	1		Shield, LH Pulley
7	710-0258	2	S	Screw, Hex Cap, 1/4-20 x .62
8	710-1260	3	S	Screw, Hex Wash Hd TT Tapp 5/16-18 x .75
9	710-3008	1	/P	Screw, Hex Cap 5/16-18 x .75 GR5
10	711-0792	1	S	Pin, Hinge, .25 Dia x 6.75 Lg
11	711-3314	1	S	Pin, Roller, 1/2 x 7.31
12	711-3358	1		Pin, 42" Deck Roller
13	712-3006	2	/P	Nut, Hex, 1/4-20
14	712-0431	1	S	Nut, Hex Flange Lock, 3/8-16
15	712-3004A	4	/P	Nut, Hex Flange Lock, 5/16-18
16	714-0115	2	S	Pin, Cotter, 1/8 x 1.0
17	715-3003	2		Pin, Spirol, 3/16 x 3/4
18	726-0106	1	S	Cap, Speed Nut
19	731-3005	5	/P	Roller
20	731-1032	1	S	Deflector Ass'y, Chute (Includes Ref No 3, 10, 18 & 21)
21	732-0602	1	S	Spring, Torsion
22	732-0802	2		Spring, Compression
23	732-0851	1	S	Spring, Extension
24	736-0160	2	S	Washer, Flat, .536 x .93 x .05
25	736-0192	1	S	Washer, Flat, .531 x .93 x .90
26	736-0270	2	/P	Washer, Bell, .265 x .75 x .062
27	738-0213	1	/P	Bolt, Shoulder, .498 x 1.45:3/8-16
28	747-3013	2		Pin, Mower Support
29	750-0151	1	S	Spacer, .550 x .750 x .965
30	777-1584	1	S	Graphic, Danger Cut Finger

Z-16
42" Deck Drive & Spindle Assembly



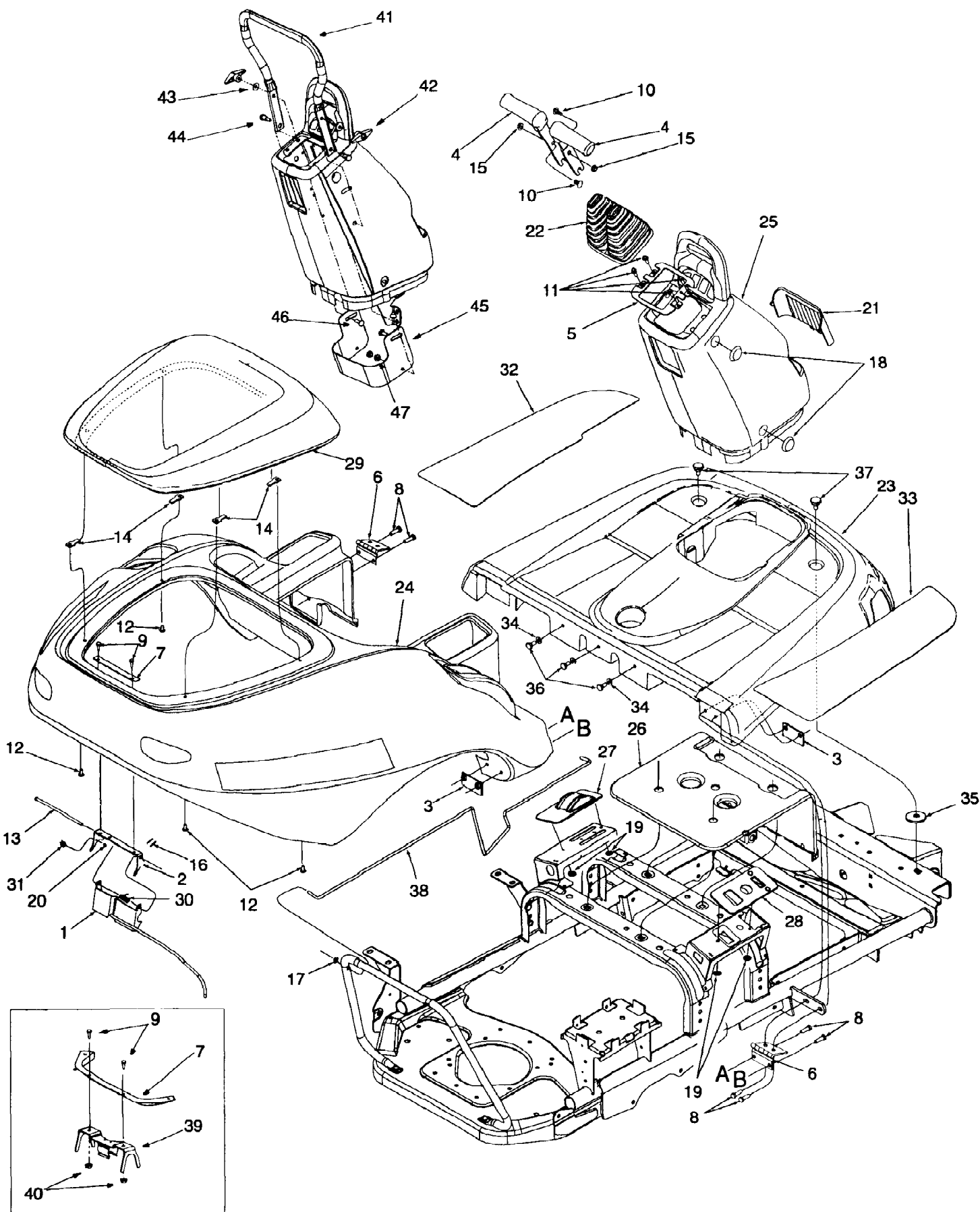
42" Deck Drive & Spindle Assembly

Ref #	Part Number	Qty	S/P/F	Description
1	603-0316	1		Housing Ass'y, 42" Mower Deck
2	603-0581	1		Pivot Arm Ass'y, Double Pulley
3	603-0584	1	S	Plate Ass'y, Deck Mounting
4	703-3147	1	S	Arm, Idler Pivot
5	710-0520	1	/P	Screw, Hex Cap, 3/8-16 x .75 GR5
6	710-1260	8	S	Screw, Hex Wash Hd TT Tapp 5/16-18 x .75
7	710-1336	2	S	Bolt, Spindle, 3/4-16 x 4.25
8	710-3008	1	/P	Screw, Hex Cap, 5/16-18 x .75 GR5
9	710-3151	1	/P	Screw, Hex Cap, 5/16-18 x 4.25 GR5
10	710-3178	2	/P	Bolt, Carriage, 3/8-16 x .75
11	712-0239	1	S	Nut, Hex Center Lock, 1/2-20
12	712-0431	3	S	Nut, Hex Flange Lock, 3/8-16
13	712-3004A	1	/P	Nut, Hex Flange Lock, 5/16-18
14	712-3078	2	/P	Nut, Hex Flange, 3/4-16
15	716-3020	2	S	Ring, Internal Snap
16	721-3018	4	S	Seal, Oil. 1.25 x 1.874 x .25
17	732-0850	1	S	Spring, Extension, 1.0 OD x 6.14
18	736-0100	1	/P	Washer, Flat, .513 x 1.25 x .036
19	736-0179	1	S	Washer, Flat, .5 x 1.25 x .10
20	736-0187	1	/P	Washer, Flat, .64 x 1.24 x .06 Hdn
21	736-0188	3	/P	Washer, Flat, .76 x 1.49 x .06 Hdn
22	736-0290	1	/P	Washer, Flat, 5/8 x 1.0 x .063
23	737-3000	3	S	Fitting, 3/16 Drive Lube
24	738-0988	1		Spacer, Shoulder
25	741-0338	2	/P	Bearing, Flange, 3/4 ID x .52
26	741-0524	2	S	Bearing, Ball, .625 x 1.57 x .47
27	741-3028	4	S	Cone, Bearing
28	741-3029	4	/P	Cup, Bearing
29	741-3031	2	S	Spacer, Bearing
30	748-3065	4	S	Spacer, Deck Spindle
31	750-0656	1	/P	Spacer, .50 x .75 x 2.25
32	750-3164	1		Spacer, .635 x 2.0
33	750-3190	2	S	Spacer, Bearing, .78 x .963 x .7777
34	750-3191	2		Spacer, Bearing 1.615 x 1.86 x .8427
35	754-0347	1	S	Belt, Spindle, A-Section x 63.2
36	754-3091	1	S	Belt, PTO, B-Section x 69
37	756-0627	1	S	Pulley, Flat Idler, 3.5 OD
38	756-3089	2		V-Pulley, 4.0 Dia
39	756-3100	1		Pulley, Double 5.0 OD x 5.56 OD Use with P/N 717-3389 PTO
	756-3103	1		Pulley, Double 4.66 OD x 5.06 OD Use with P/N 717-3460 PTO
40	759-3830	2		Blade, 3 in One, 21.20 Lg
41	918-3129	2	S	Spindle Assembly, Blade (Includes Ref Nos 16, 27, 28, 29, 33 & 34)
	717-3389	1	S	Clutch PTO
	717-3460	1	S	Clutch PTO

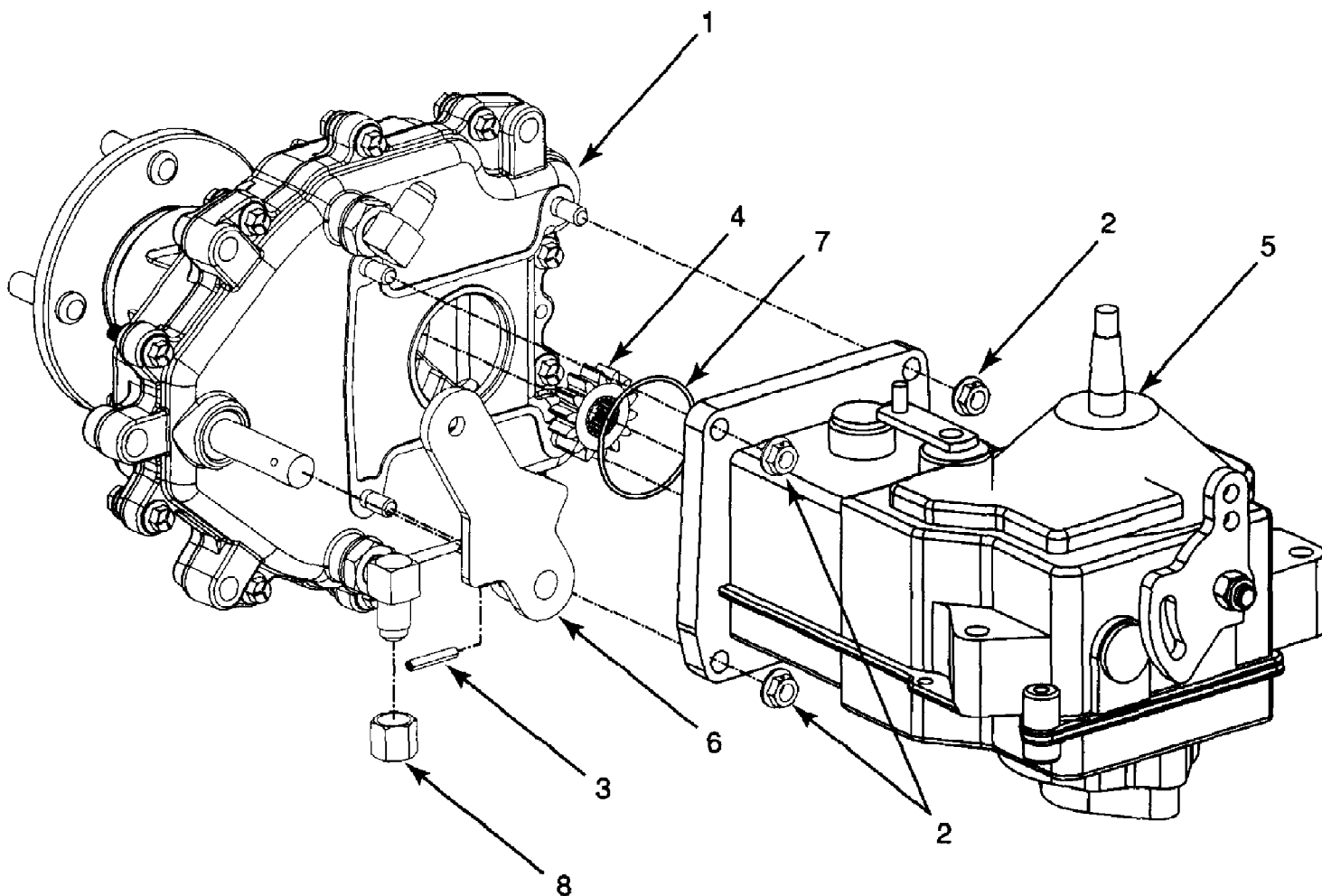


Battery, Electrical Components & Switches

Ref #	Part Number	Qty	S/P/F	Description
1	629-3033	1		Wire Harness, Main
2	629-3038	1		Wire Harness, Engine Includes Ref. Nos. 22, 27, 30 & 34
3	725-1341B	2	/P	Key, Ignition
4	703-2809	1	S	Bracket, Indicator Bulb Mtg.
5	703-2836-0648	1		Bracket, Headlight Mtg.
6	703-3149	1	S	Strip, Battery Retainer
7	710-0134	6	/P	Bolt, Carriage, 1/4-20 x .62
8	710-0425	2	/P	Screw, Machine, #10-24 x 5/8
9	710-0723	2	/P	Screw, Hex Cap, 3.8-16 x 1.25
10	710-0751	2	/P	Screw, Hex Cap, 1/4-20 x .62 GR5
11	710-3015	2	/P	Screw, Hex Cap, 1/4-20 x .75 GR5
12	712-0161	2	/P	Nut, Hex Insert Lock, #10-24
13	712-0271	2	/P	Nut, Hex Sems, 1/4-20
14	712-0291	2	S	Nut, Hex Center Lock, 1/4-20
15	712-0397	2	S	Nut, Nylon Wing, 1/4-20
16	712-0431	2	S	Nut, Hex Flange Lock, 3/8-16
17	712-3010	2	S	Nut, Hex, 5/16-18
18	712-3027	6	S	Nut, Hex Flange Lock, 1/4-20
19	712-3071	1	S	Nut, Hex Sems, #10-32
20	723-0455	1		Foam Protector, Indicator Light
21	725-0157	3	/P	Cable Tie
22	725-0340	1		Cover, Battery Terminal - Black
23	725-0453E	1	S	Battery,
24	725-1346	1	S	Nut, Ignition Switch, 5/8-32
25	725-1347	1	/P	Cap, Ignition Switch
26	725-1365	2	S	Bulb, Indicator
27	725-1656	1		Fuse, Mini, 20Amp
28	725-1718	1	S	Relay
29	725-3001	1	S	Solenoid Switch
30	725-3007A	1	/P	Cover, Battery Terminal - Red
31	725-3163	1	S	Switch, Ignition
32	725-3164A	3	S	Switch, Plunger Safety
33	725-1716	1	S	Switch, PTO
34	725-3237	1		Cover, Terminal - Red
35	725-3250	1	S	Headlight Assembly
	759-3864	1	S	Bulb, Headlight - Only
36	725-3251	1	S	Sensor, Voltage
37	725-3253	1	S	Switch, Seat
38	726-0349	2	S	Retainer, Ratcheet
39	731-3184	1		Bezel, Headlight
40	731-3233	1		Tray, Battery
41	732-0816	1		Spring, Switch Mounting
42	736-0119	2	S	Washer, Lock, 5/16
43	736-0270	2	/P	Washer, Bell, .265 x .75 x .062
44	736-3006	2		Washer, Int./Ext. Lock, 1/4 ID
45	747-3271	1		Rod, Harness Mtg.
46	747-3347	2		Rod, Battery Retainer
47	783-0462	1	/P	Bracket, PTO Switch Retainer



Ref #	Part Number	Qty	S/P/F	Description
1	603-0347	1		Handle Ass'y, Latch
2	603-0467	1	S	Bracket, Latch
3	603-0578	4		Plate Ass'y, Body Mounting
4	631-3005	2		Handle, Control
5	703-2648	1		Bracket, Bellow Retainer
6	703-2928	2		Hinge, Body
7	703-3078	1	S	Plate, Latch Mounting
8	710-0376	8	/P	Screw, Hex Cap, 5/16-18 x 1.0 GR5
9	710-0425	2	/P	Screw, Pan Hd, #10-24 x .625
10	710-0451	2	/P	Bolt, Carriage, 5/16-18 x .75
11	710-0642	4	/P	Screw, Hex Wash. Hd. Tap 1/4-20 x .75
12	710-0946	4	/P	Screw, Truss Machine 1/4-20 x .625 GR2
13	711-1092	1		Rod, Latch Mounting
14	712-0185	4		Nut, U-Type Speed, 1/4-20
15	712-3004A	2	/P	Nut, Hex Flange Lock, 5/16-18 GR5
16	714-0127	2	/P	Pin, Cotter, 1/16 x .75
17	726-0106	1	S	Push Cap, 1/4
18	726-0289	2		Plug, Button
19	726-3047	4	S	Push Nut
20	728-0117	1		Rivet, Pop, .125 Dia
21	731-3128A	1		Lens, Headlight
22	731-0050	1		Bellow, Control
23	731-0051	1		Body, Front Floor Includes Ref. No. 32 & 33
24	731-0052	1		Body, Rear Engine Compartment
25	731-0053	1		Console
26	731-0055	1		Cover, Seat Base
27	731-0056	1	S	Cover, LH Control Panel
28	731-0057	1		Cover, RH Control Panel
29	731-0054	1		Cover, Engine
30	732-0848	1		Spring, Torsion
31	732-0830	1	S	Clip, Spring
32	735-0259	1		Pad, Floor LH
33	735-0260	1		Pad, Floor RH
34	736-0275	3	S	Washer, Flat
35	736-3039	2	S	Washer, Flat, .406 x 1.5 x .110
36	738-0140	3	S	Bolt, Shoulder
37	738-3163A	2	/P	Bolt, Shoulder, .75 x .245:3/8-16
38	747-3303	1		Rod, Prop Support
39	603-0643	1		Clip Spring Bracket Assembly
40	712-3027	1	S	Hex Nut Lock Flange 1/4-20
41	749-3081	1		Cruise Control Tube
42	720-0241	2	S	Wing Nut 5/16-18
43	736-0242	2	/P	Bell Wash .340 ID
44	738-0754	2		Shoulder Screw .437 Dia .54
45	703-3288	1	S	Control Tube Mount Bracket
46	710-0276	2	/P	Carriage Screw 5/16-18
47	712-3004A	2	/P	Nut, Hex Flange Lock, 5/16-18 GR5

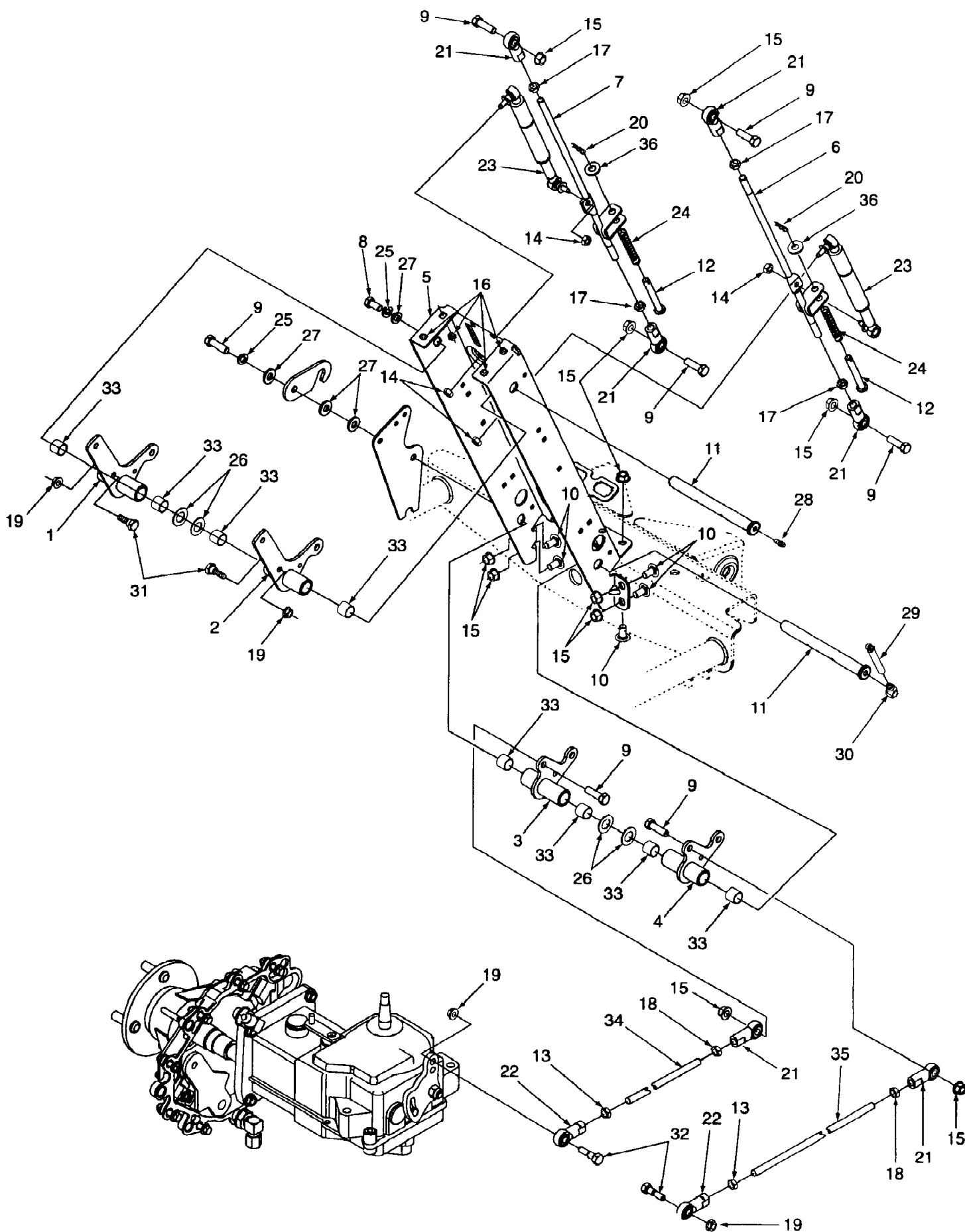


Z-16

Page 10 of 42

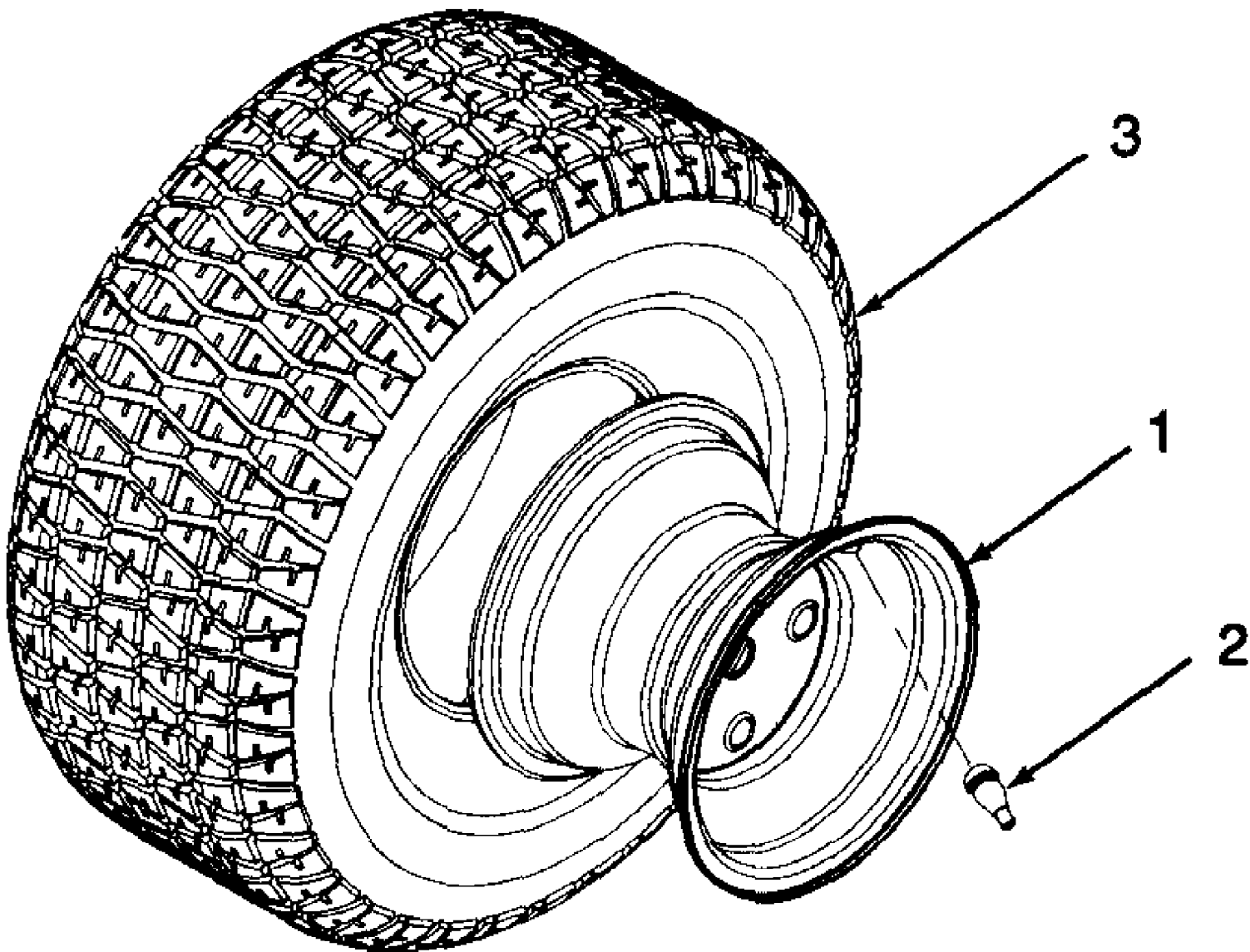
Complete Transmission Assembly (L.H. Shown)

Ref #	Part Number	Qty	S/P/F	Description
1	618-3110A	2	S	Drive Ass'y, Complete Final
2	712-3004A	8	/P	Nut, Hex Flange Lock, 5/16-18 GR5
3	715-0120	2	S	Pin, Spirol, 3/16 x 1.0 HD
4	717-3396	2	S	Gear, Spur, 14T
5	717-3402	2	S	Transmission, Hydro: BDR
6	718-3053	2		Lever, Park Brake
7	721-0343	2		O-Ring, 2.0 Dia
8	727-3125	2	S	Nut, Cap, 3/8



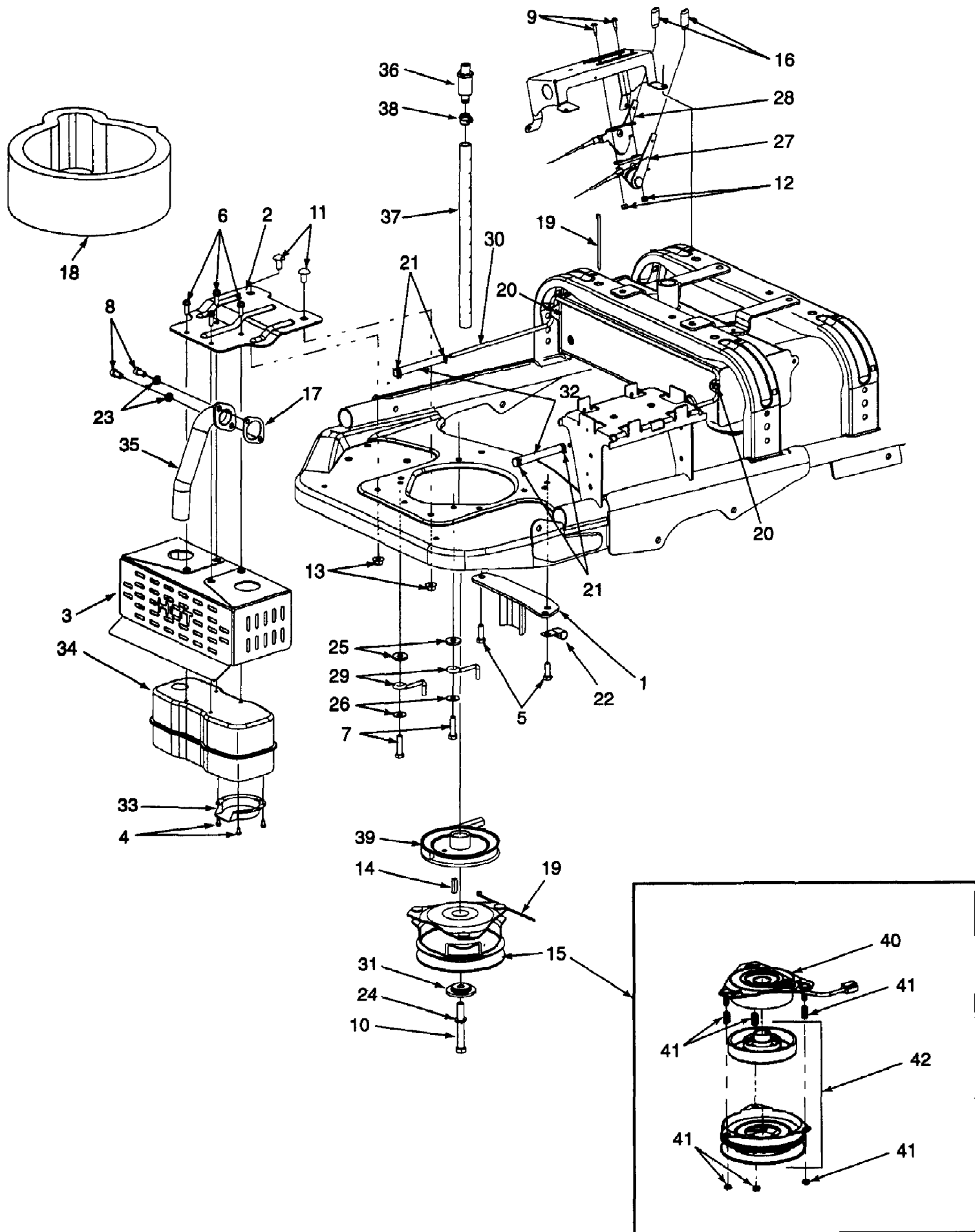
Drive Controls & Support Tower

Ref #	Part Number	Qty	S/P/F	Description
1	603-0340	1	S	Bellcrank Ass'y, Upper LH Includes Ref. No. 33 (2)
2	603-0341	1	S	Bellcrank Ass'y, Upper RH Includes Ref. No. 33 (2)
3	603-0342	1	S	Bellcrank Ass'y, Lower LH Includes Ref. No. 33 (2)
4	603-0343	1	S	Bellcrank Ass'y, Lower RH Includes Ref. No. 33 (2)
5	603-0364-0498	1	S	Support Ass'y, Tower
6	603-0410	1		Rod Ass'y, Control RH
7	603-0411	1		Rod Ass'y, Control LH
8	710-3000	1	S	Screw, Hex Cap 3/8-16 x 3/4 GR5
9	710-3005	7	/P	Screw, Hex Cap 3/8-16 x 1.25 GR5
10	710-3178	6	/P	Bolt, Carriage, 3/8-16 x .75
11	711-1111	2		Shaft, Control
12	711-1124	2		Pin, .374 Dia. x 2.88 Lg
13	712-0312	2	S	Nut, Hex Jam LH Thrd, 3/8-24
14	712-0365	4		Nut, Hex Center Lock, M8 GR 8.8
15	712-0431	12	S	Nut, Hex Flange Lock, 3/8-16
16	712-0453	4		Nut, Retainer, 1/4-20
17	712-0711	4	/P	Nut, Hex Jam, 3/8-24
18	712-3001	2	S	Nut, Hex Jam, 3/8-24
19	712-3004A	4	/P	Nut, Hex Flange Lock, 5/16-18 GR5
20	714-0104	2	S	Pin, Internal Cotter
21	723-0420	6	S	Rod End, Spherical RH, 3/8-24
22	723-0421	2	S	Rod End, Spherical LH, 3/8-24
23	727-3113	2		Cylinder, Damper
24	732-3084	2		Spring, Compression
25	736-0169	2	S	Washer, Lock, 3/8
26	736-0539	4		Washer, Thrust, .625 x 1.12 x .06
27	736-3004	6	S	Washer, Flat, .406 x .875 x .105
28	737-0280	1	S	Fitting, Grease ,
29	737-3072	1		Fitting, Grease w/Tube
30	737-3073	1		Adapter, 90° 1/4-20 Thrd
31	738-0296	2	S	Bolt, Shoulder, .437 Dia. x .268
32	738-3153	2		Bolt, Shoulder
33	741-3063	8		Bearing, Sleeve, .628 x .75 x .625
34	747-3281	1		Rod, Control, LH 31-5/8 Lg
35	747-3282	1		Rod, Control, RH 35-3/8 Lg
36	736-3004	6	S	Washer, Flat, .406 x .875 x .105
	736-0300	14	S	Flat Washer .406 ID x .87 x .06



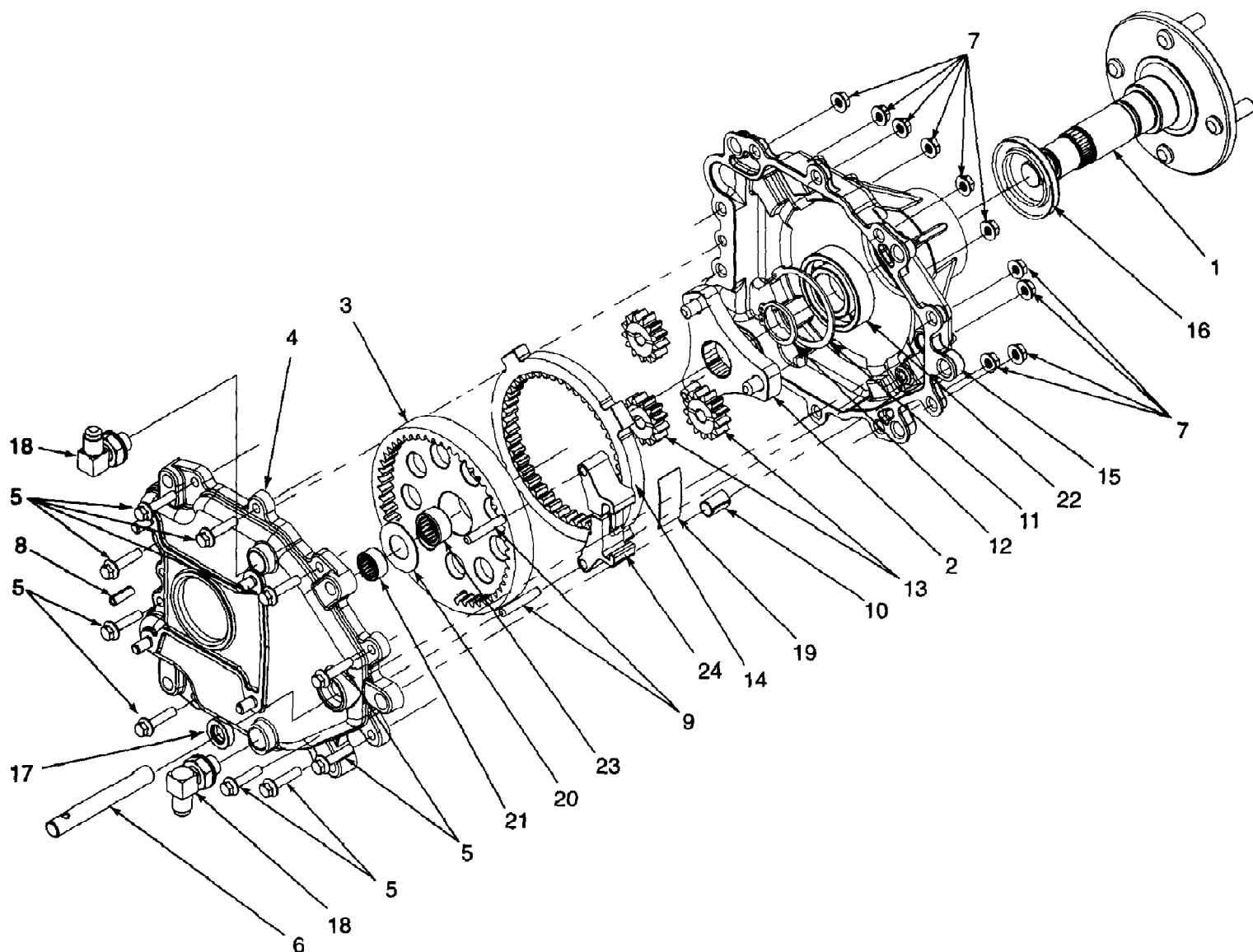
Z-16
Drive Wheel

Ref #	Part Number	Qty	S/P/F	Description
1	634-3031	2		Rim Assembly, 8.0 x 4.85
2	734-0255	2	S	Valve, Tubeless Air
3	734-3118	2		Tire, 20.0 x 7.0 x 6.0



Engine Mounting, Muffler, Controls & PTO Clutch

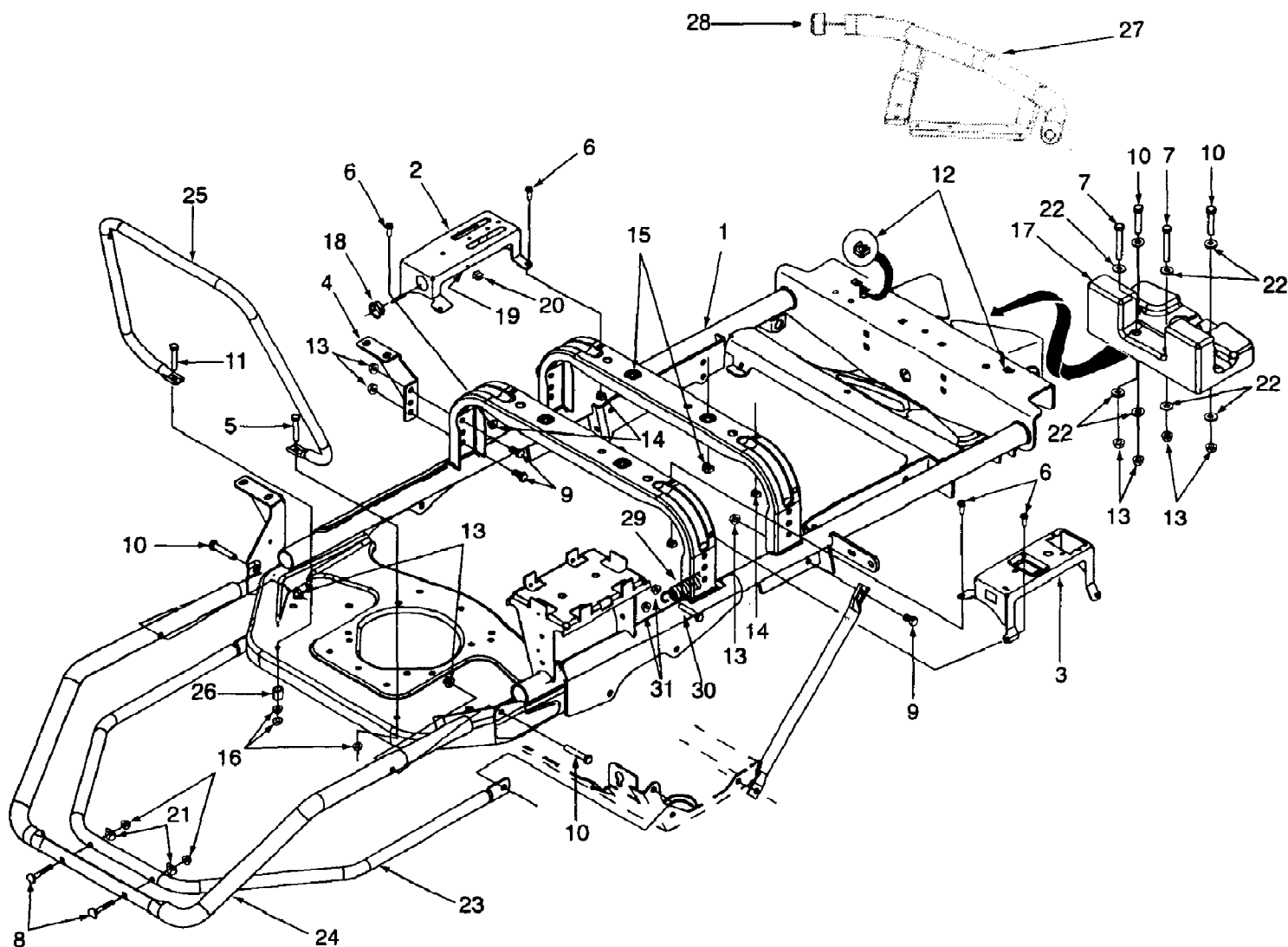
Ref #	Part Number	Qty	S/P/F	Description
1	603-0317	1	S	Retainer, PTO Clutch Assembly
2	703-2859	1		Bracket, Muffler Support
3	703-3004	1	S	Shield, Muffler
4	710-0148	4	/P	Screw, Hex Wash Hd Tapp #8-32 x .38
5	710-0502A	2	/P	Screw, Hex Wash Hd Tapp 3/8-16 x 1.25
6	710-0642	4	/P	Screw, Hex Wash Hd Tapp 1/4-20 x .75
7	710-1007	2	/P	Screw, Hex Wash Hd Tapp 3/8-16 x 1.5
8	710-1314	1	S	Screw, Socket Hd Cap 5/16-18 x .625
9	710-3009	2	/P	Screw, Phil. Pan Hd, 10-24 x .75
10	710-3157	1	S	Screw, Hex Cap 7/16-20 x 3.25 GR5
11	710-3178	2	/P	Bolt, Carriage, 3/8-16 x .75
12	712-0161	2	/P	Nut, Hex Insert Lock, #10-24
13	712-0431	2	S	Nut, Hex Flange Lock, 3/8-16
14	714-0128	1	/P	Key, Square, 1/4 x 1.0
15	717-3389	1	S	Clutch Assembly, PTO Use with 756-3100 Pulley, Double
	717-3460	1	S	Clutch Assembly, PTO Use with 756-3103 Pulley, Double
16	720-0303	2		Knob
17	721-0208	1	S	Gasket, Exhaust
18	723-0458	1		Seal Ring, Foam Gasket
19	725-0157	2	/P	Cable Tie
20	725-1711	2		Clip, Retainer
21	726-0205	4	/P	Clamp, Hose
22	726-3008	1	/P	Clip, Cable
23	736-0119	2	S	Washer, Lock, 5/16
24	736-0171	1	S	Washer, Lock, 7/16
25	736-0258	2	/P	Washer, Flat, .385 x 1.0 x .135
26	736-3010	2		Washer, Flat, .407 x .612 x .135 Hdn
27	746-3073	1		Cable, Choke Control
28	746-3074	1		Cable, Throttle Control
29	747-3362	2		Rod, Rear Belt Retainer
30	749-3048	1		Fuel Line
31	750-3106	1		Spacer, PTO Clutch
32	751-0535-4	2		Fuel Line Hose 4" Length
33	751-0564	1	S	Deflector, Muffler
34	751-0617	1	S	Muffler, Single Inlet
35	751-0619	1	S	Tube, Exhaust
36	751-3140	1	S	Drain, Oil
37	751-3141-13	1	S	Extension Hose, Oil Drain 13" Lg
38	751-3142	1		Cap, Oil Drain
39	756-3060	1		Pulley, Transmission Drive
40	759-3694	1	S	Field Assembly
41	759-3697	1		Kit, Spring and Nut
42	759-3739	1	S	Armature/Rotor Assembly



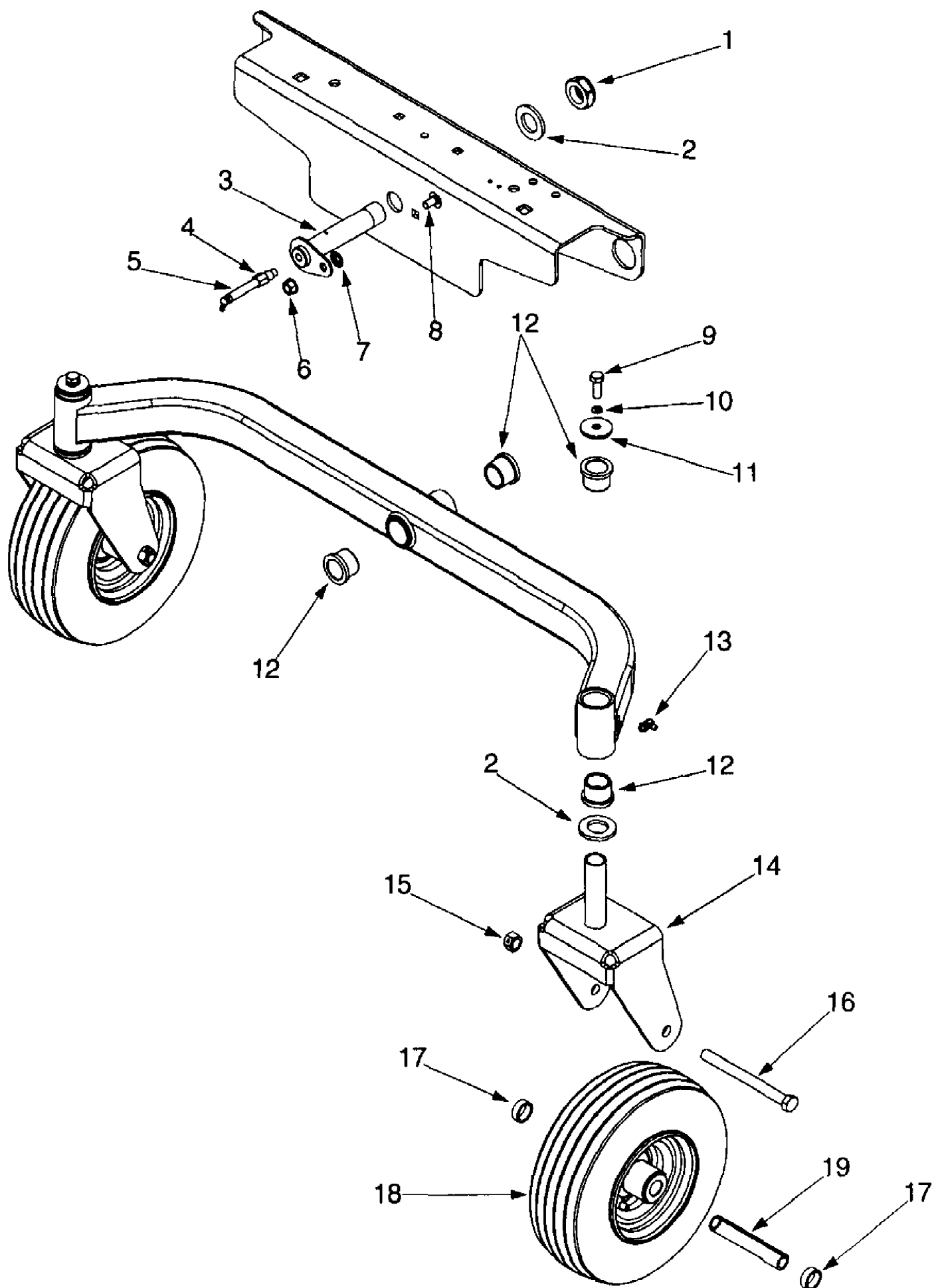
Z-16
Final Drive Assembly

Page 18 of 42

Ref #	Part Number	Qty	S/P/F	Description
	618-3110A	2	S	Drive Ass'y, Complete Final
1	611-3012	2	S	Axle Assembly
	710-0852	8	/P	Stud, Ribbed Neck
2	618-3106	2	S	Carrier Assembly, Output
3	618-3107	2	S	Gear Assembly, 51T Internal & 20T Includes Ref. No. 23
4	618-3109	2	S	Housing Ass'y, Inner Includes 710-1272A (4) Rib Neck Stud. 721-0456 (4) O-Ring. and Ref. Nos. 17 & 21
5	710-1342	20		Screw, Hex Wash. Hd 1/4-20 x 1-1/8
6	711-1048	2		Shaft, Brake
7	712-3027	20	S	Nut, Hex Flange Lock, 1/4-20
8	715-0156	2		Pin, Roll, .25 x .75
9	715-0219	4		Pin, Dowel, .250 x 1.50
10	715-3045	2	S	Bushing, Dowel
11	716-3015	2		Ring, Inverted Retaining
12	716-3018	2		Ring, Snap, 1.189 Dia. Shft.
13	717-3395	6		Gear, Spur, 13T
14	717-3397	2		Gear, Ring, 46T
15	719-3114	2	S	Housing, Axle Outer
	759-3746	AR		Sealant, Ultra Grey, Loctite
16	721-0381	2	S	Seal, Oil
17	721-0393	2		Seal, Oil
18	727-3124	4	S	Fitting, Elbow, 3/8 x 3/8
19	732-0752	2		Spring, Brake Shoe
20	736-0351	AR	S	Washer, Shim, .76 x 1.5 x .030
	736-0492	AR	S	Washer, Shim, .76 x 1.5 x .010
	736-0493	AR	S	Washer, Shim, .76 x 1.5 x .020
21	741-0665	2	/P	Bearing, Needle
22	741-3033A	2	S	Bearing, Ball
23	741-3080	2		Bearing, Needle
24	761-3049	4		Brake Shoe



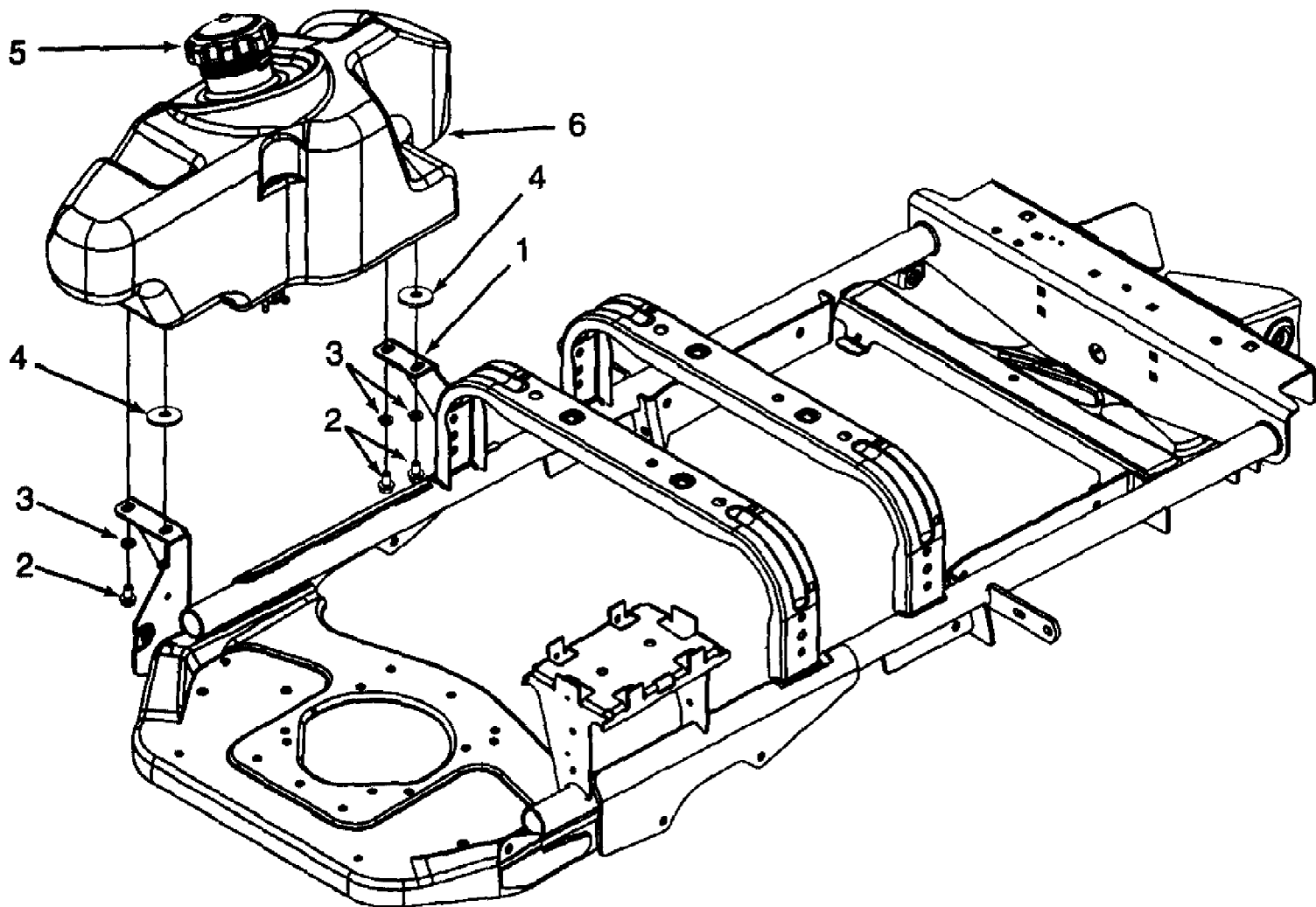
Ref #	Part Number	Qty	S/P/F	Description
1	603-0258A	1		Frame
2	603-0424	1	S	Panel, Control LH
3	603-0425	1		Panel, Control RH
4	703-2783	1	S	Bracket, Fuel Tank Mounting
5	710-0376	1	/P	Screw, Hex Cap 5/16-18 x 1.0 GR5
6	710-0642	8	/P	Screw, Hex Wash. Hd. Tapp 1/4-20 x .625
7	710-0859	2	/P	Screw, Hex Cap 3/8-16 x 2.5 GR5
8	710-1174	2	/P	Screw, Curved Hd. Carriage 5/16-18 x 2.0
9	710-0216	4	/P	Screw, Hex Cap 3/8-16 x 3/4 GR5
10	710-3144	4	/P	Screw, Hex Cap 3/8-16 x 2.0 GR5
11	710-3180	1	/P	Screw, Hex Cap 5/16-18 x 1.75 GR5
12	712-0251	2		Nut, Retainer, 3/8-16
13	712-0431	10	S	Nut, Hex Flange Lock, 3/8-16
14	712-0453	8		Nut, Retainer, 1/4-20
15	712-0455	4		Nut, Retainer, 3/8-16
16	712-3004A	5	/P	Nut, Hex Flange Lock 5/16-18 GR5
17	719-3130	1		Weight, Frame Counter
18	723-3042	1		Snap Bushing
19	728-0117	1		Rivet, Pop, .125
20	732-0830	1	S	Clip, Spring
21	736-0451	2	S	Washer, Saddle
22	736-3004	8	S	Washer, Flat, .406 x .875 x .105
23	749-3061	1		Bumper, Lower Tube
24	749-3062	1		Bumper, Upper Tube
25	749-3064	1		Tube, Engine Compartment Support
26	750-3200	1		Spacer
27	603-0620	1		Bumper, Front
28	726-0298	2		End Cap
29	732-0556	1	S	Spring
30	710-0597	1	/P	Screw 1/4-20 x 1.0
31	712-3006	2	/P	Nut 1/4-20



Front Axle & Tire Assembly II

Ref #	Part Number	Qty	S/P/F	Description
1	712-3075	1	/P	Hex Lock Nut, 1.0-14
2	736-0274	1	S	Flat Washer
3	603-0389A	1		Pin Ass'y, Pivot
4	737-3090	1	S	Adapter, 1/8 NPTF x 1/8 NPTF
5	737-3072	1		Grease Fitting, 65° w/Extension
6	712-0431	1	S	Hex Flange Lock Nut, 3/8-16
7	712-0229	1		Push Nut, 3/8 ID
8	710-3178	1	/P	Carriage Bolt, 3/8-16 x .75
9	710-0514	1	/P	Hex Cap Screw, 3/8-16 x 1.0
10	736-0169	1	S	Lock Washer 3/8
11	712-0239	1	S	Hex Center Lock Nut, 1/2-20
12	731-0374	1	S	Flange Bearing 1.0 ID
13	737-0280	1	S	Grease Fitting
14	603-0363	1		Castor Wheel Bracket
15	712-0239	1	S	Hex Center Lock Nut 1/2-20
16	710-0506	1	/P	Hex Cap Screw, 1/2-20 x 5.5
17	750-0456	1	S	Spacer, .79 ID x .347 Lg
18	634-3164	1		Wheel Comp 11.0 x 4.0 x 5.0
19	750-3197	1	S	Wheel Spacer

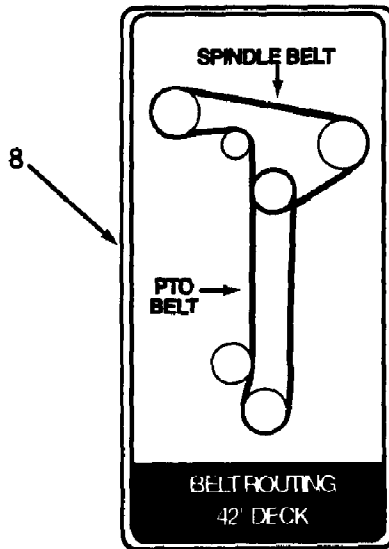
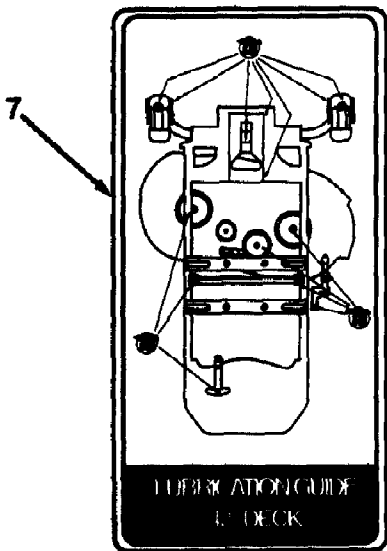
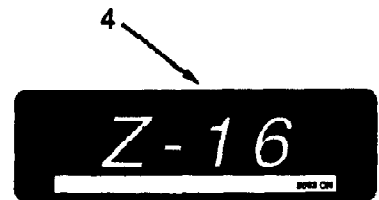
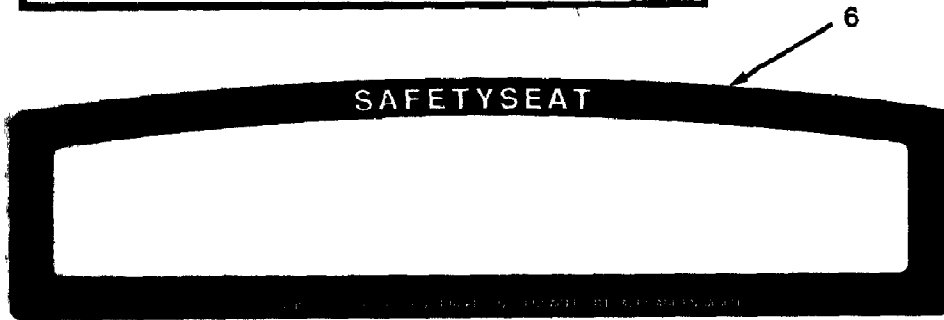
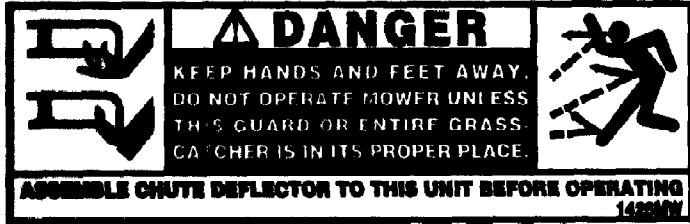
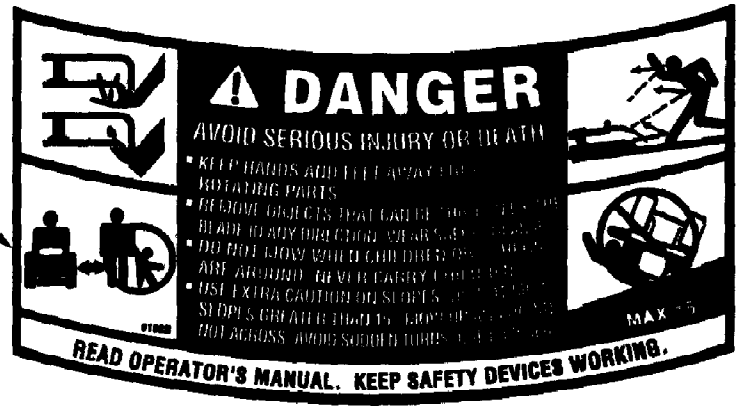
Z-16
Fuel Tank



Z-16
Fuel Tank

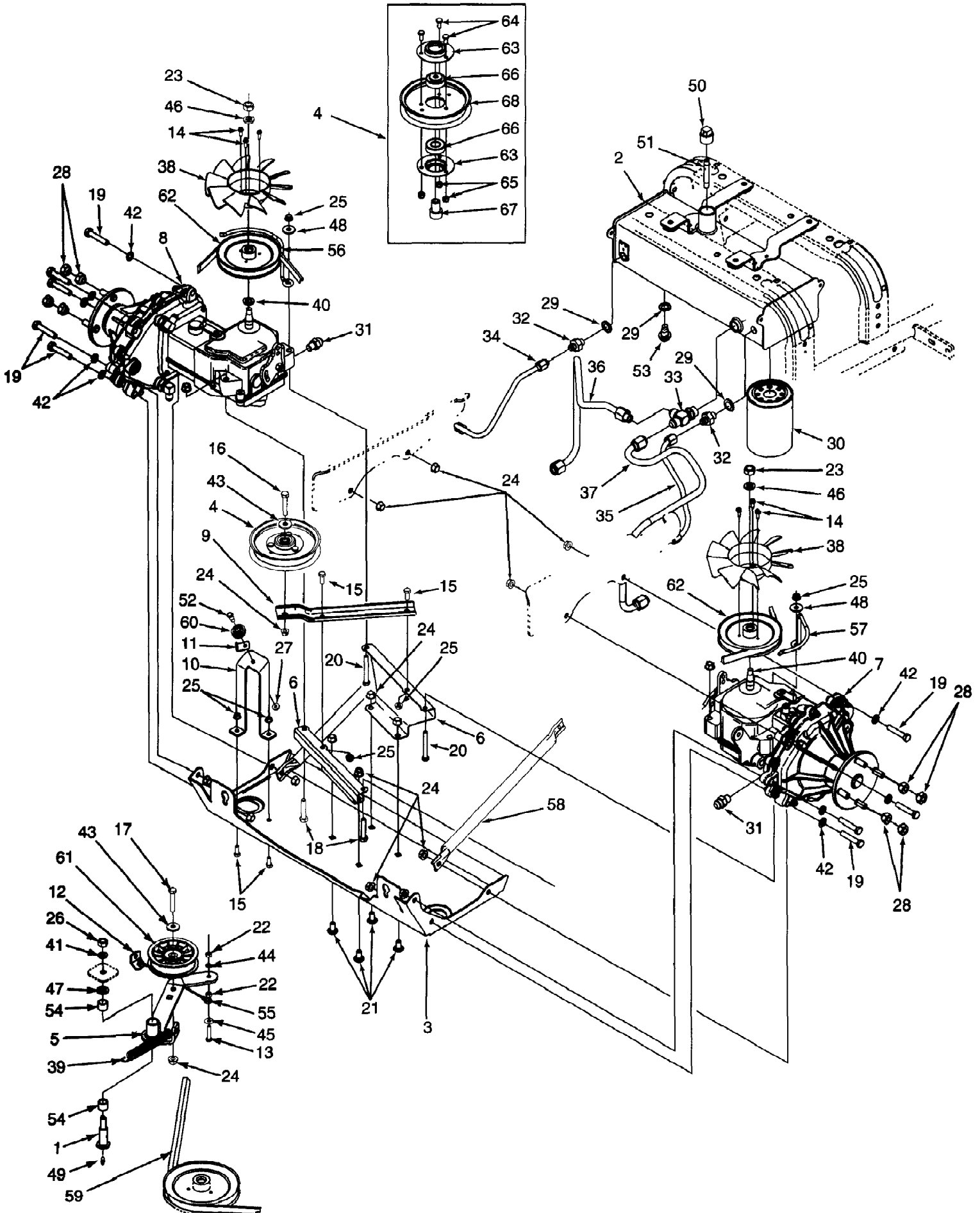
Page 24 of 42

Ref #	Part Number	Qty	S/P/F	Description
1	703-2783	1	S	Bracket, Fuel Tank Mounting
2	710-0870	4	/P	Screw, Hex Cap, 3/8-16 x .62 GR5
3	736-0169	4	S	Washer, Lock, 3/8
4	736-0227	2	S	Washer, Flat, .390 x 1.5 x .10
5	751-3124B	1	S	Cap, Fuel
6	751-3143	1		Fuel Tank



Ref #	Part Number	Qty	S/P/F	Description
1	777-1426	1	S	Label, Danger - Top of Deck
2	777-1584	1	S	Label, Danger - Top of Deflector Chute
3	777-9192B	1	S	Label, Safety - Top of Deck
4	777-5063	1		Label, model - Front Steering Console
5	777-5606	1		Label, Control Panel Cover- Hr/Tach
6	777-5321	1		Label, Safety - Back of Seat
7	777I20100	1		Label, Information - Under Belt Cover
8	777I20101	1	S	Label, Information - Under Belt Cover

Hydraulic Drive, Lines & Filter For 4-19-98 And Before



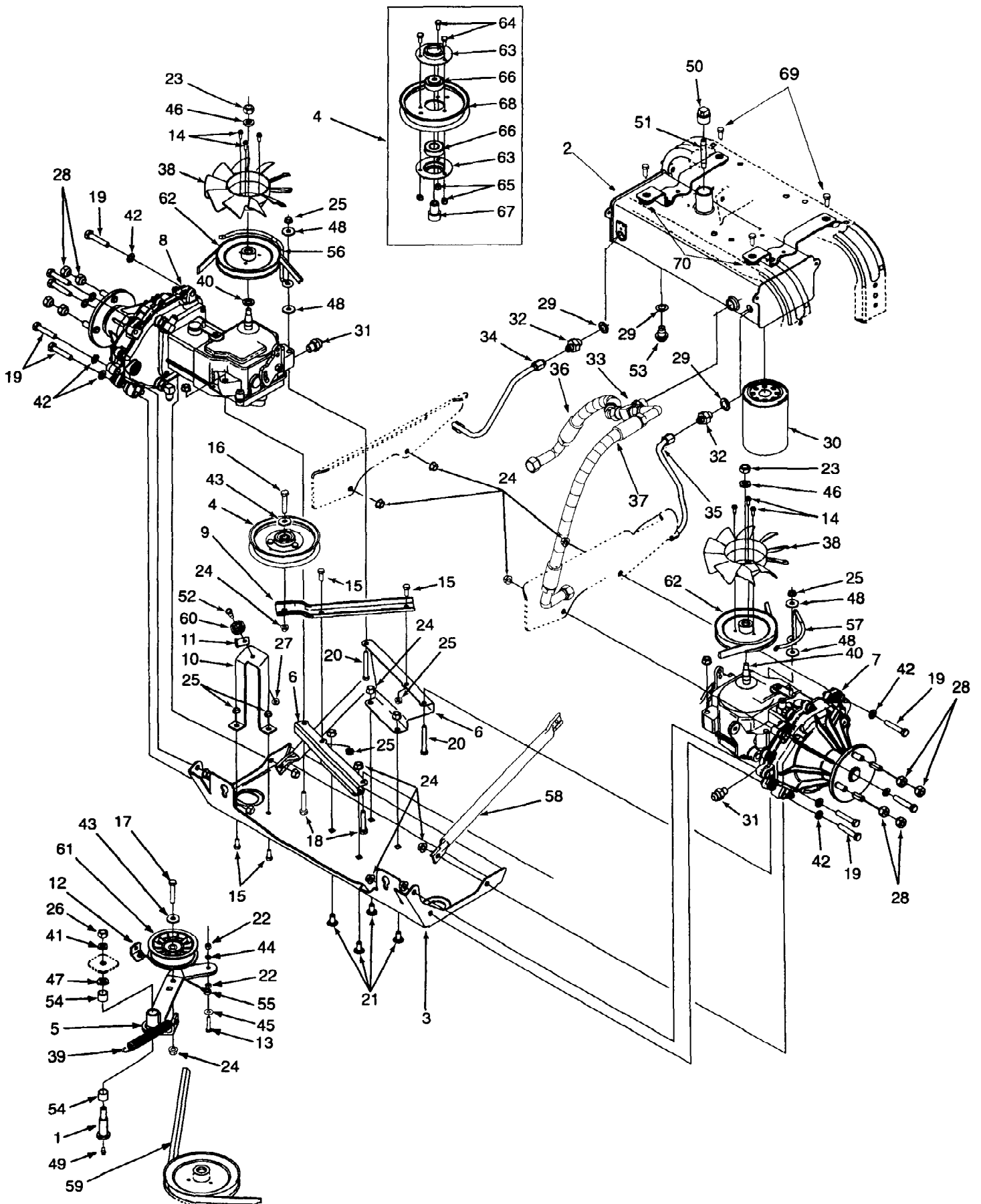
Hydraulic Drive, Lines & Filter For 4-19-98 And Before

Ref #	Part Number	Qty	S/P/F	Description
1	738-3108	1	/P	Shoulder Bolt, Special
2	603-0344-0498	1		Tank Ass'y, Hydraulic
	737-3055	11qt	S	Oil, Drive System
3	603-0358B-0498	1		Plate Ass'y, Skid
4	603-0362	1	S	Pulley Ass'y, Idler 5.0 in
5	603-0377A	1	S	Arm Ass'y, Idler Includes Ref. No. 54 (2)
6	603-0450	2	S	Support Ass'y, Pump
7		1		Transmission Ass'y RH See Component Lists
8		1		Transmission Ass'y LH See Component Lists
9	703-2888	1	S	Bracket, Idler
10	703-3168	1		Bracket, Pulley Mounting
11	703-3169	1		Bracket, Cable Retainer
12	703-3174	1		Bracket, Cable Mtg
13	710-0428	1		Screw, Hex Cap 1/4-28 x 1.25 GR5
14	710-1189	6		Screw, Hex Wash. Hd. Tapp #12-24 x .62
15	710-3008	4	/P	Screw, Hex Cap 5/16-18 x .75 GR5
16	710-3011	1	/P	Screw, Hex Cap 3/8-16 x 2-1/4 GR5
17	710-0347	1	/P	Screw, Hex Cap 3/8-16 x 1-3/4 GR5
18	710-3103	2	/P	Screw, Hex Cap 5/16-18 x 2.0 GR5
19	710-3144	10	/P	Screw, Hex Cap 3/8-16 x 2.0 GR5
20	710-3156	2		Screw, Hex Cap 5/16-18 x 2.50 GR5
21	710-3178	4	/P	Bolt, Carriage, 3/8-16 x .75
22	712-0138	2	S	Nut, Hex, 1/4-28
23	712-0333	2	S	Nut, Hex, 1/2-20
24	712-0431	16	S	Nut, Hex Flange Lock, 3/8-16
25	712-3004A	8	/P	Nut, Hex Flange Lock, 5/16-18 GR5
26	712-3019	1	S	Nut, Hex, 7/16-14
27	712-0117	1	S	Nut, Hex Lock, 1/4-20
28	712-3050	8	/P	Nut, Lug, 7/16-14
29	721-0223	3	S	Seal, Drain Plug
30	723-3071	1		Filter Element, Oil
31	727-3100	2	S	Fitting, Connector, 1/2 x 3/8
32	727-3116	2	S	Fitting, Connector
33	727-3118	1		Fitting, Tee, 1/2 x 1/2 x 3/4
34	727-3120	1		Tube, Inlet LH
35	727-3121	1		Tube, Inlet RH
36	727-3122	1		Tube, Outlet LH
37	727-3123	1		Tube, Outlet RH
38	731-1449A	2	S	Fan, 10 Blade
39	732-0478	1	S	Spring, Extension
40	732-0729	2	/P	Wire Ring
41	736-0171	1	S	Washer, Lock, 7/16
42	736-0185	10	S	Washer, Flat, .406 x .75 x .06
43	736-0258	2	/P	Washer, Flat, .385 x 1.0 x .135
44	736-0329	1	S	Washer, Lock, 1/4 ID
45	736-0342	1		Washer, Flat, .283 x .75 x .030
46	736-0921	2	S	Washer, Lock, 1/2
47	736-3015	1	S	Washer, Flat, .469 x .875 x .105
48	736-3089	2	/P	Washer, Flat, 5/16 x .934 x .100
49	737-0280	1	S	Fitting, Grease
50	737-3069	1		Plug, Pipe, w/ Vent 3/4 NPTF
51	737-3070	1		Tube, Dipstick
52	738-0924	1		Shoulder Bolt, 1/4-28: .375

Hydraulic Drive, Lines & Filter For 4-19-98 And Before

Ref #	Part Number	Qty	S/P/F	Description
53	738-0940	1	/P	Plug, Oil Drain
54	741-3063	2		Bearing, Sleeve, .628 x .75 x .625
55	746-3080	1		Cable, Declutching
56	747-3360	1	S	Rod, Belt Retaining RH
57	747-3361	1		Rod, Belt Retaining LH
58	749-3040-0498	2	S	Strut, Frame
59	754-3076	1	S	V-Belt, Transmission Drive A-Section x 54.24 Lg
60	756-0625	1		Cable Roller
61	756-0627	1	S	Pulley, Flat Idler 3.5 in
62	756-0974	2	/P	Pulley, Transmission
63	703-2907	2		Cup, Bearing
64	710-0751	3	/P	Screw, Hex Cap, 1/4-20 x .62 GR5
65	712-0324	3	/P	Nut, Hex Insert Lock, 1/4-20
66	741-0600	2	S	Bearing, Ball
67	750-3176	1		Spacer, Idler
68	756-3085	1		Pulley, Idler 5.0 in

Hydraulic Drive, Lines & Filter For 4-20-98 And After

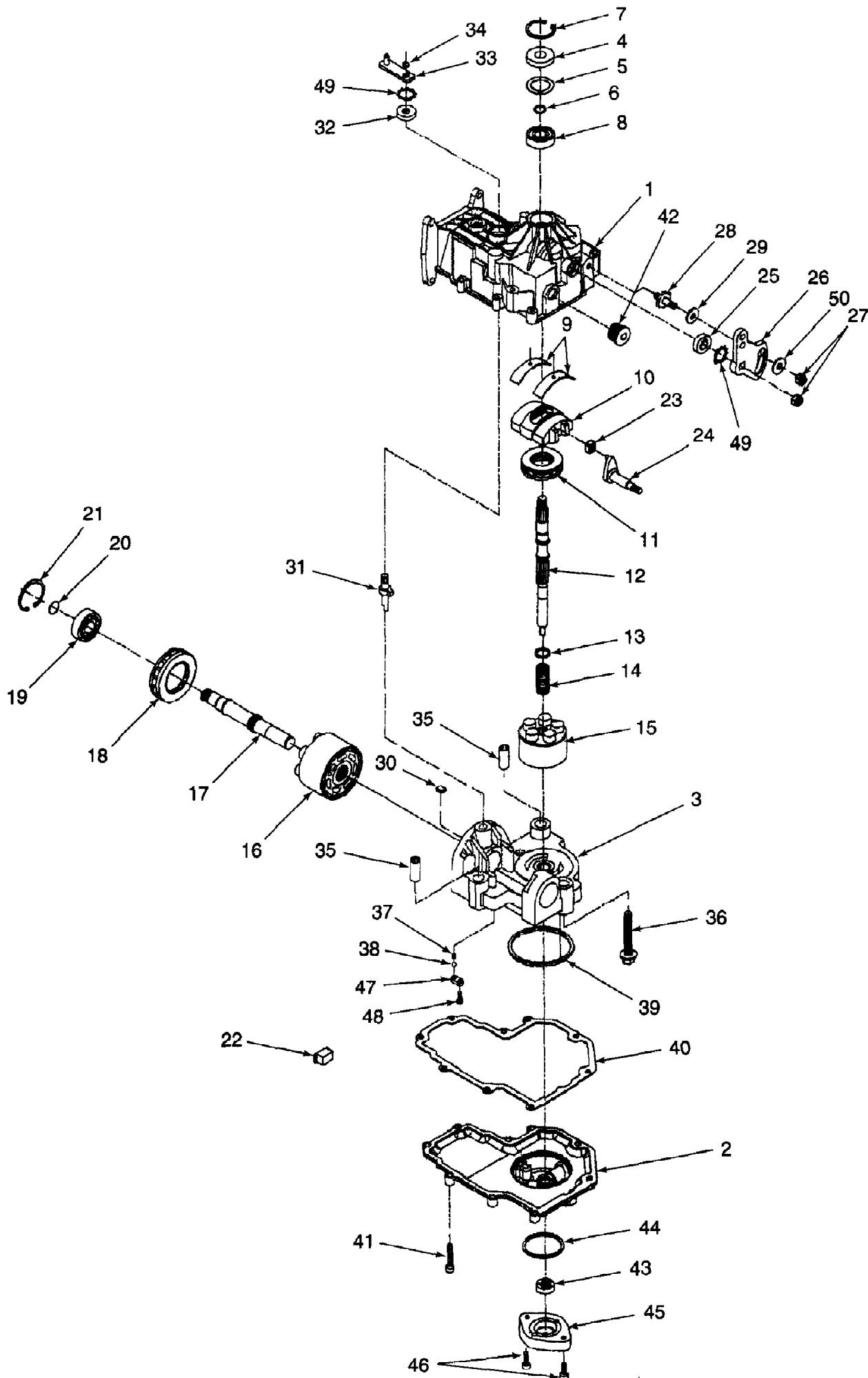


Hydraulic Drive, Lines & Filter For 4-20-98 And After

Ref #	Part Number	Qty	S/P/F	Description
1	738-3108	1	/P	Shoulder Bolt, Special
2	603-0344-0498	1		Tank Ass'y, Hydraulic
	737-3055	11qt	S	Oil, Drive System
3	603-0358B-0498	1		Plate Ass'y, Skid
4	603-0362	1	S	Pulley Ass'y, Idler 5.0 in
5	603-0377A	1	S	Arm Ass'y, Idler Includes Ref. No. 54 (2)
6	603-0450	2	S	Support Ass'y, Pump
7		1		Transmission Ass'y RH See Component Lists
8		1		Transmission Ass'y LH See Component Lists
9	703-2888	1	S	Bracket, Idler
10	703-3168	1		Bracket, Pulley Mounting
11	703-3169	1		Bracket, Cable Retainer
12	703-3174	1		Bracket, Cable Mtg
13	710-0428	1		Screw, Hex Cap 1/4-28 x 1.25 GR5
14	710-1189	6		Screw, Hex Wash. Hd. Tapp #12-24 x .62
15	710-3008	4	/P	Screw, Hex Cap 5/16-18 x .75 GR5
16	710-3011	1	/P	Screw, Hex Cap 3/8-16 x 2-1/4 GR5
17	710-0347	1	/P	Screw, Hex Cap 3/8-16 x 1-3/4 GR5
18	710-3103	2	/P	Screw, Hex Cap 5/16-18 x 2.0 GR5
19	710-3144	10	/P	Screw, Hex Cap 3/8-16 x 2.0 GR5
20	710-3156	2		Screw, Hex Cap 5/16-18 x 2.50 GR5
21	710-3178	4	/P	Bolt, Carriage, 3/8-16 x .75
22	712-0138	2	S	Nut, Hex, 1/4-28
23	712-0333	2	S	Nut, Hex, 1/2-20
24	712-0431	16	S	Nut, Hex Flange Lock, 3/8-16
25	712-3004A	8	/P	Nut, Hex Flange Lock, 5/16-18 GR5
26	712-3019	1	S	Nut, Hex, 7/16-14
27	712-3027	1	S	Nut, Hex Flange Lock, 1/4-20
28	712-3050	8	/P	Nut, Lug, 7/16-14
29	721-0223	3	S	Seal, Drain Plug
30	723-3071	1		Filter Element, Oil
31	727-3100	2	S	Fitting, Connector, 1/2 x 3/8
32	727-3116	2	S	Fitting, Connector
33	727-3118	1		Fitting, Tee, 1/2 x 1/2 x 3/4
34	727-3120	1		Tube, Inlet LH
35	727-3121	1		Tube, Inlet RH
36	727-3122	1		Tube, Outlet LH
37	727-3123	1		Tube, Outlet RH
38	731-1449A	2	S	Fan, 10 Blade
39	732-0478	1	S	Spring, Extension
40	732-0729	2	/P	Wire Ring
41	736-0171	1	S	Washer, Lock, 7/16
42	736-0185	10	S	Washer, Flat, .406 x .75 x .06
43	736-0258	2	/P	Washer, Flat, .385 x 1.0 x .135
44	736-0329	1	S	Washer, Lock, 1/4 ID
45	736-0342	1		Washer, Flat, .283 x .75 x .030
46	736-0921	2	S	Washer, Lock, 1/2
47	736-3015	1	S	Washer, Flat, .469 x .875 x .105
48	736-3089	2	/P	Washer, Flat, 5/16 x .934 x .100
49	737-0280	1	S	Fitting, Grease
50	737-3069	1		Plug, Pipe, w/ Vent 3/4 NPTF
51	737-3070	1		Tube, Dipstick
52	738-0924	1		Shoulder Bolt, 1/4-28: .375

Hydraulic Drive, Lines & Filter For 4-20-98 And After

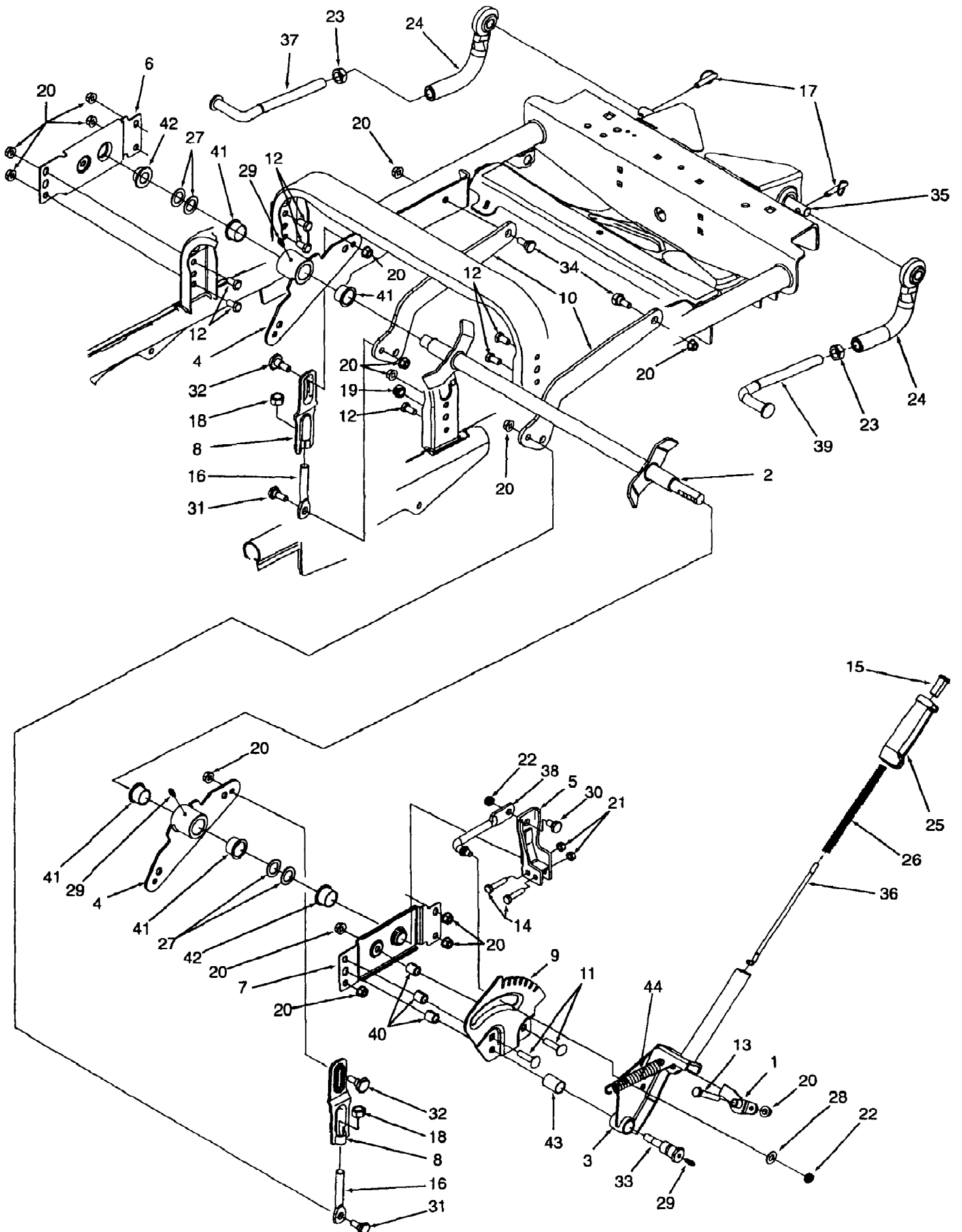
Ref #	Part Number	Qty	S/P/F	Description
53	738-0940	1	/P	Plug, Oil Drain
54	741-3063	2		Bearing, Sleeve, .628 x .75 x .625
55	746-3080	1		Cable, Declutching
56	747-3360	1	S	Rod, Belt Retaining RH
57	747-3361	1		Rod, Belt Retaining LH
58	749-3040-0498	2	S	Strut, Frame
59	754-3076	1	S	V- Belt, Transmission Drive A-Section x 54.24 Lg
60	756-0625	1		Cable Roller
61	756-0627	1	S	Pulley, Flat Idler 3.5 in
62	756-0974	2	/P	Pulley, Transmission
63	703-2907	2		Cup, Bearing
64	710-0751	3	/P	Screw, Hex Cap, 1/4-20 x .62 GR5
65	712-0324	3	/P	Nut, Hex Insert Lock, 1/4-20
66	741-0600	2	S	Bearing, Ball
67	750-3176	1		Spacer, Idler
68	756-3085	1		Pulley, Idler 5.0 in
69	710-0870	4	/P	Hex Head / Wsh 3/8-16 x .625
70	712-0455	4		Retainer Nut 3/8-16



Hydrostatic Transmission

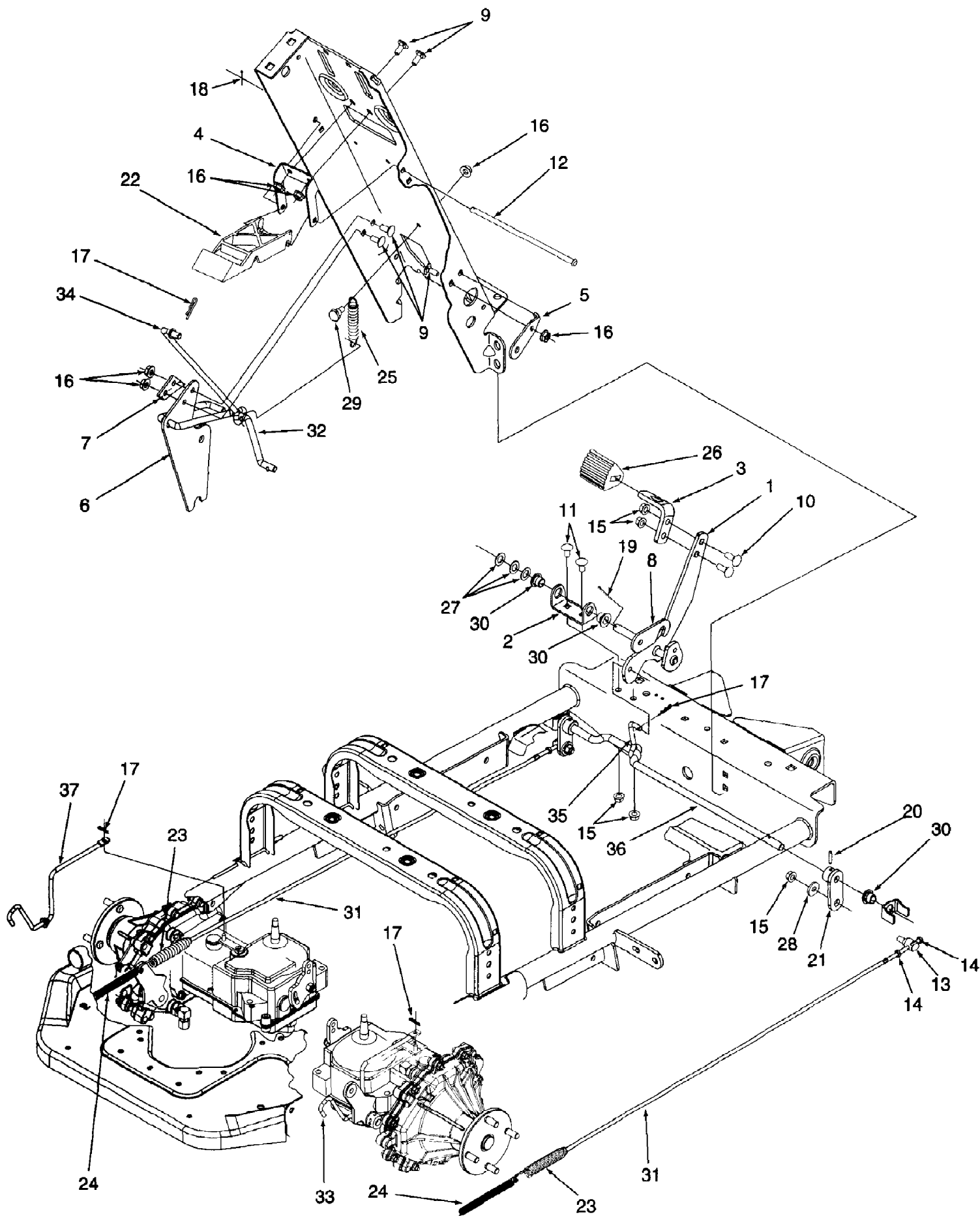
Ref #	Part Number	Qty	S/P/F	Description
	717-3402	2	S	Transmission Ass'y, Hydro
1	HG-70304	2		Housing Ass'y, Upper
2	HG-50301	2		Housing, Lower
3	HG-70299	2	S	Center Section Assembly
4	HG-9008000-0128	2	/P	Seal, Lip
5	HG-2003018	2	/P	Spacer
6	HG-2003016	2	/P	Ring, Wire Retaining
7	HG-2003052	2	/P	Ring, Retaining
8	HG-2003043	2	S	Bearing, Sall
9	HG-2003023	4	S	Bearing, Cradle
10	HG-2003087	2	/P	Swashplate, Variable
11	HG-50551	2	S	Bearing, Thrust
12	HG-50303	2		Shaft, Input
13	HG-2003017	2	/P	Washer, Block Thrust
14	HG-2003014	2	/P	Spring, Block
15	HG-70079	2	S	Block Assembly, Cylinder
16	HG-70082	2	/P	Block Assembly, Cylinder
17	HG-50304	2		Shaft, Output (Motor)
18	HG-50552	2	/P	Bearing, Thrust
19	741-0361	2	S	Bearing, Ball
20	HG-2000022	2	/P	Ring, Wire Retaining
21	HG-50329	2	/P	Ring, Retaining
22	HG-50649	2		Retainer, Motor Bearing
23	HG-2000015	2	/P	Guide, Slot
24	HG-50807	2		Arm, Trunnion
25	HG-9008000-0126	2	/P	Seal, Lip
26	HG-50733	2		Arm, Control
27	712-0237	4	S	Nut, Hex Lock, 6-24
28	HG-50426	2		Stud, Short, 5/16-24
29	HG-50281	2		Puck, Friction
30	HG-2003554	2	S	Plate, Bypass
31	HG-2003555	2		Actuator, Bypass
32	HG-45074	2	/P	Seal, Lip
33	HG-50270	2		Arm, Bypass
34	HG-44870	2		Ring, Retaining
35	HG-50002	4	/P	Pin
36	HG-50016	6		Screw
37	HG-2000029	2		Spring, Charge Relief
38	HG-9001214-2500	2		Ball
39	HG-50578	2	/P	O-Ring
40	HG-50331	2	/P	Gasket
41	HG-44876	18	/P	Screw, Self Tapping
42	HG-9005110-8700	2	/P	Plug, Drain
43	HG-50273	2	/P	Gerotor Assembly
44	HG-9004101-1340	2	/P	O-Ring
45	HG-50260	2		Cover, Gerotor
46	HG-50095	4		Screw
47	HG-50651	2		Plate, Relief
48	HG-50653	2	/P	Screw
49	HG-50650	4		Ring, Retaining
50	736-0371	2	/P	Washer

Z-16
Lift System & Linkage

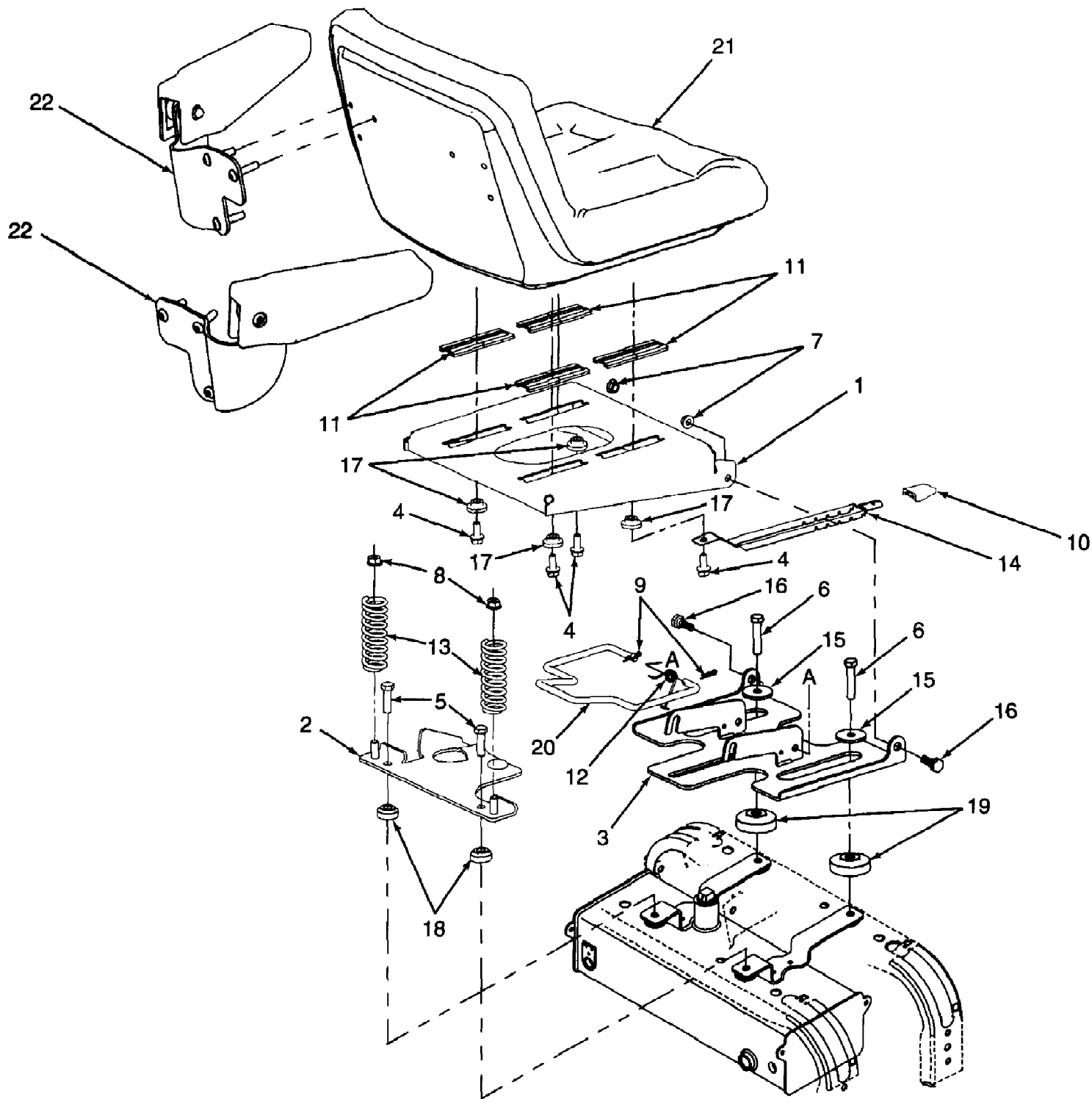


Ref #	Part Number	Qty	S/P/F	Description
1	603-0257	1	/P	Fork, Lift
2	603-0313	1	S	Shaft, Lift
3	603-0327	1		Handle Ass'y, Lift, Includes Ref. No. 43
4	603-0370	2		Link Ass'y, Pivot, Includes Ref. Nos. 29 and 41 (2)
5	603-0401	1	S	Arm, Lift
6	603-0422	1	S	Bracket, Shaft Mtg. LH Includes Ref. No. 42
7	603-0423	1		Bracket, Shaft Mtg. RH Includes Ref. No. 42
8	703-2621	2		Link, Adjustable Deck Lift
9	703-2772	1		Plate, Deck Height Adjustment
10	703-2780	2		Link, Parallel Lift
11	710-0431	2	/P	Bolt, Carriage, 3/8-16 x 1.5
12	710-0216	7	/P	Screw, Hex Cap, 3/8-16 x .75 GR5
13	710-3011	1	/P	Screw, Hex Cap, 3/8-16 x 2-1/4
14	710-3083	2	/P	Screw, Hex Cap, 5/16-18 x 1.38 GR5
15	711-0642A	1	/P	Button, Handle
16	711-0773	2		Link, Eye Bolt Adjustment
17	711-3266	2	S	Clevis Pin, w/ Detent Ball
18	712-0206	2	S	Nut, Hex, 1/2-13
19	712-0290	1	/P	Nut, Hex Center Lock, 7/16-14
20	712-0431	16	S	Nut, Hex Flange Lock, 3/8-16
21	712-3009	2	S	Nut, Hex Center Lock, 5/16-18
22	712-3020	2	S	Nut, Hex Insert Lock Jam 3/8-16
23	712-3056	2	/P	Nut, Hex Jam, 5/8-18
24	723-0453	2		Link, Parallel
25	731-3158	1		Grip, Deck Lift Handle
26	732-3097	1		Spring, Compression
27	736-0287	4	S	Washer, Flat, .79 x 1.24 x .06
28	736-0300	1	S	Washer, Flat, .406 x .875 x .06
29	737-0280	3	S	Fitting, Grease
30	738-0183	1	S	Bolt, Shoulder
31	738-0380	2	S	Bolt, Shoulder
32	738-0507B	2	S	Bolt, Shoulder
33	738-3150	1		Bolt, Lift Handle Shoulder
34	738-3151	2		Bolt, Shoulder
35	747-3255	1		Rod, Parallel Link Front Mtg.
36	747-3267	1		Rod, Lift Handle
37	747-3275	1		Rod, Connecting LH
38	747-3276	1		Rod, Lift Link
39	747-3286	1		Rod, Connecting RH
40	750-3200	3		Spacer, .448 x .688 x .673
41	741-0229	4		Bearing, Flange, 1.0 ID
42	741-0376	2	S	Bearing, Flange, .75 ID x 1.0 OD
43	741-3081	1		Bearing, Sleeve, .75 x .875 x 1.25
44	732-0556	1	S	Spring

Z-16
Parking Brake & Linkage

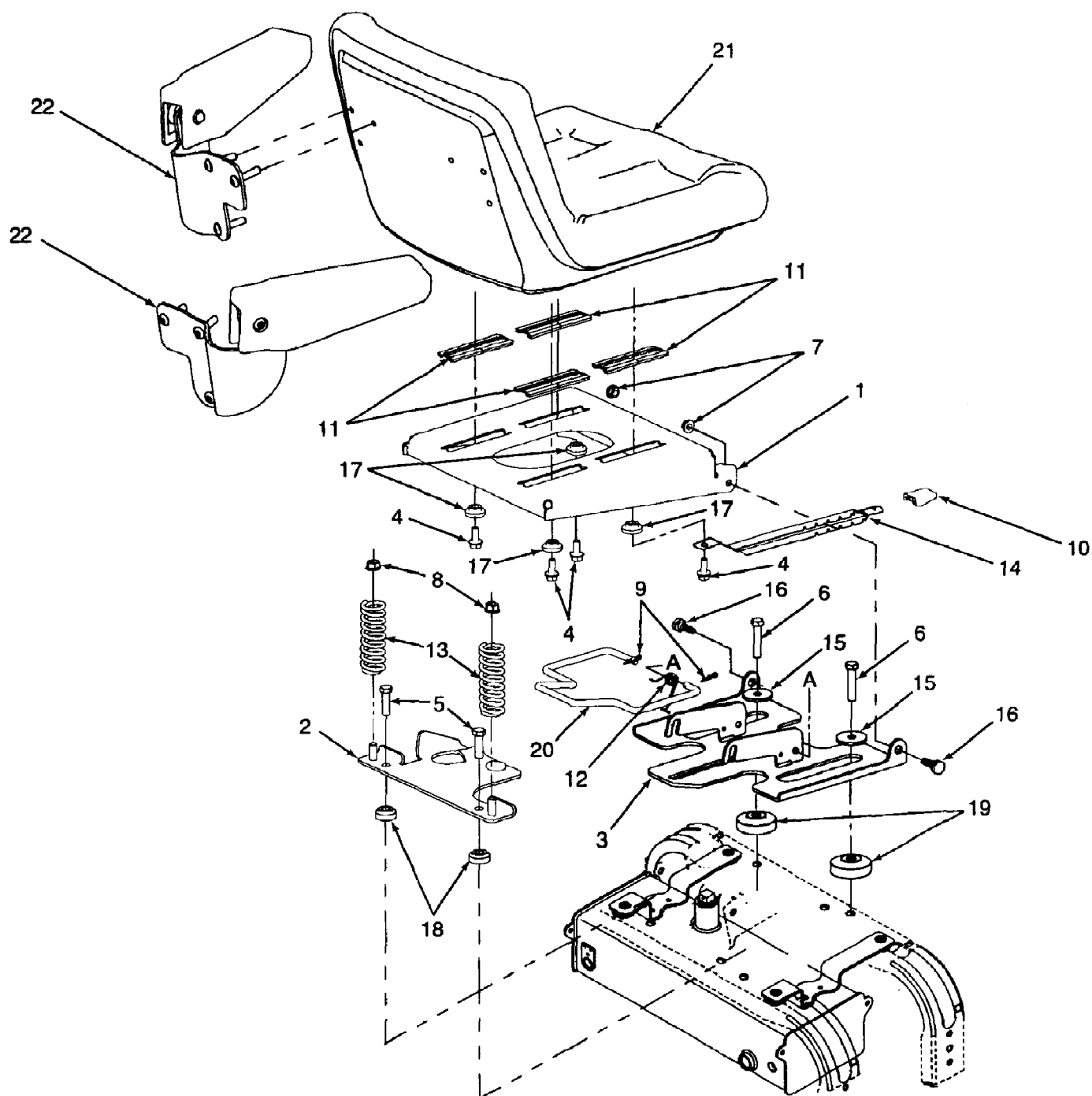


Ref #	Part Number	Qty	S/P/F	Description
1	603-0461A	1	S	Shaft, Park Brake Pedal
2	703-2806	1		Bracket, Pedal Mounting
3	703-2807B	1	S	Bracket, Foot Pad Mounting
4	703-2856	1		Bracket, Park Brake
5	703-2857	1		Bracket, Rod Retainer
6	703-3073	1		Plate, Support
7	703-3074	1		Bracket, Brake Rod Stop
8	703-3076	1		Plate, Brake Link
9	710-0134	5	/P	Bolt, Carriage, 1/4-20 x .62
10	710-3168	2	/P	Bolt, Carriage, 3/8-16 x 1.0 GR5
11	710-3178	2	/P	Bolt, Carriage, 3/8-16 x .75 GR5
12	711-1088	1		Pin, Clevis, 1/4 x 6.65
13	711-3357	2	S	Ferrule
14	712-0314	4		Nut, Hex Jam, 1/4-28
15	712-0431	6	S	Nut, Hex Flange Lock, 3/8-16
16	712-3027	6	S	Nut, Hex Flange Lock, 1/4-20
17	714-0104	4	S	Pin, Internal Cotter
18	714-0127	1	/P	Pin, Cotter, 1/16 x .75
19	714-3004	1		Pin, Cotter, 3/32 x 1.25
20	715-0120	2	S	Pin, Spiral, 3/16 x 1.0
21	718-3090	2		Arm, Brake
22	731-3165	1		Lever, Park Brake Engagement
23	732-0463	2	S	Spring, Extension, .75 O.D. x 5.0
24	732-0800	2		Spring, Extension
25	732-0857	1		Spring, Extension, .5 O.D. x 2.25
26	735-0251	1		Foot Pad, Brake
27	736-0160	3	S	Washer, Flat, .536 x .930 x .05
28	736-0258	2	/P	Washer, Flat, .385 x 1.0 x .135
29	738-0137A	1	S	Bolt, Shoulder, .340 x .285:1/4-20
30	741-0324	4	S	Bearing, Hex Flange, .506 I.D
31	747-3266A	2	/P	Rod, Brake
32	747-3272	1		Rod, Park Brake Retaining
33	747-3284	1		Rod, Hydro Pump Release RH
34	747-3293	1		Rod, Park Brake
35	747-3317	1		Rod, Park Brake Support
36	747-3318	1		Rod, Brake Connecting
37	747-3363	1		Rod, Hydro Pump Release LH



Seat Assembly For 4-19-98 And Before

Ref #	Part Number	Qty	S/P/F	Description
1	603-0294	1	S	Seat Base
2	603-0318A	1		Plate, Seat Spring Mtg
3	603-0470	1	S	Bracket, Seat Mounting
4	710-1260	4	S	Screw, Hex Wash Hd Tapp 5/16-18 x .75
5	710-0520	2	/P	Screw, Hex Cap 3/8-16 x 1.5 GR5
6	710-0347	2	/P	Screw, Hex Cap, 3/8-16 x 1-3/4 GR5
7	712-3004A	2	/P	Nut, Hex Flange Lock 5/16-18 GR5
8	712-3005	2	S	Nut, Hex Flange Lock 3/8-16 GR5
9	714-0104	2	S	Pin, Internal Cotter
10	720-0190	1	S	Knob, Seat Adjustment
11	731-3154	4		Seat Slide
12	732-0827	1		Spring, Torsion
13	732-3080	2	S	Spring, Compression
14	732-3098	1		Spring, Index
15	736-0227	2	S	Washer, Flat, .390 x 1.5 x .134
16	738-0296	2	S	Bolt, Shoulder .437 x .268: 5/16-18
17	738-0372	4	S	Spacer, Shoulder, .38 I.D
18	738-3156	2		Spacer, Shoulder
19	738-3166	2		Spacer, Seat Pan Shoulder
20	747-3342	1		Rod, Seat Pan Lock
21	957-0375	1	S	Seat Assembly
22	757-3009	1		Seat Arm (Set of Two)



Seat Assembly For 4-20-98 And After

Ref #	Part Number	Qty	S/P/F	Description
1	603-0294	1	S	Seat Base
2	603-0318A	1		Plate, Seat Spring Mtg
3	603-0470A	1		Bracket, Seat Mounting
4	710-1260	4	S	Screw, Hex Wash Hd Tapp 5/16-18 x .75
5	710-0520	2	/P	Screw, Hex Cap 3/8-16 x 1.5 GR5
6	710-0347	2	/P	Screw, Hex Cap, 3/8-16 x 1-3/4 GR5
7	712-3004A	2	/P	Nut, Hex Flange Lock 5/16-18 GR5
8	712-3005	2	S	Nut, Hex Flange Lock 3/8-16 GR5
9	714-0104	2	S	Pin, Internal Cotter
10	720-0190	1	S	Knob, Seat Adjustment
11	731-3154	4		Seat Slide
12	732-0827	1		Spring, Torsion
13	732-3080	2	S	Spring, Compression
14	732-3098	1		Spring, Index
15	736-0227	2	S	Washer, Flat, .390 x 1.5 x .134
16	738-0296	2	S	Bolt, Shoulder .437 x .268: 5/16-18
17	738-0372	4	S	Spacer, Shoulder, .38 I.D
18	738-3156	2		Spacer, Shoulder
19	738-3166	2		Spacer, Seat Pan Shoulder
20	747-3342	1		Rod, Seat Pan Lock
21	957-0375	1	S	Seat Assembly
22	757-3009	1		Seat Arm (Set of Two)