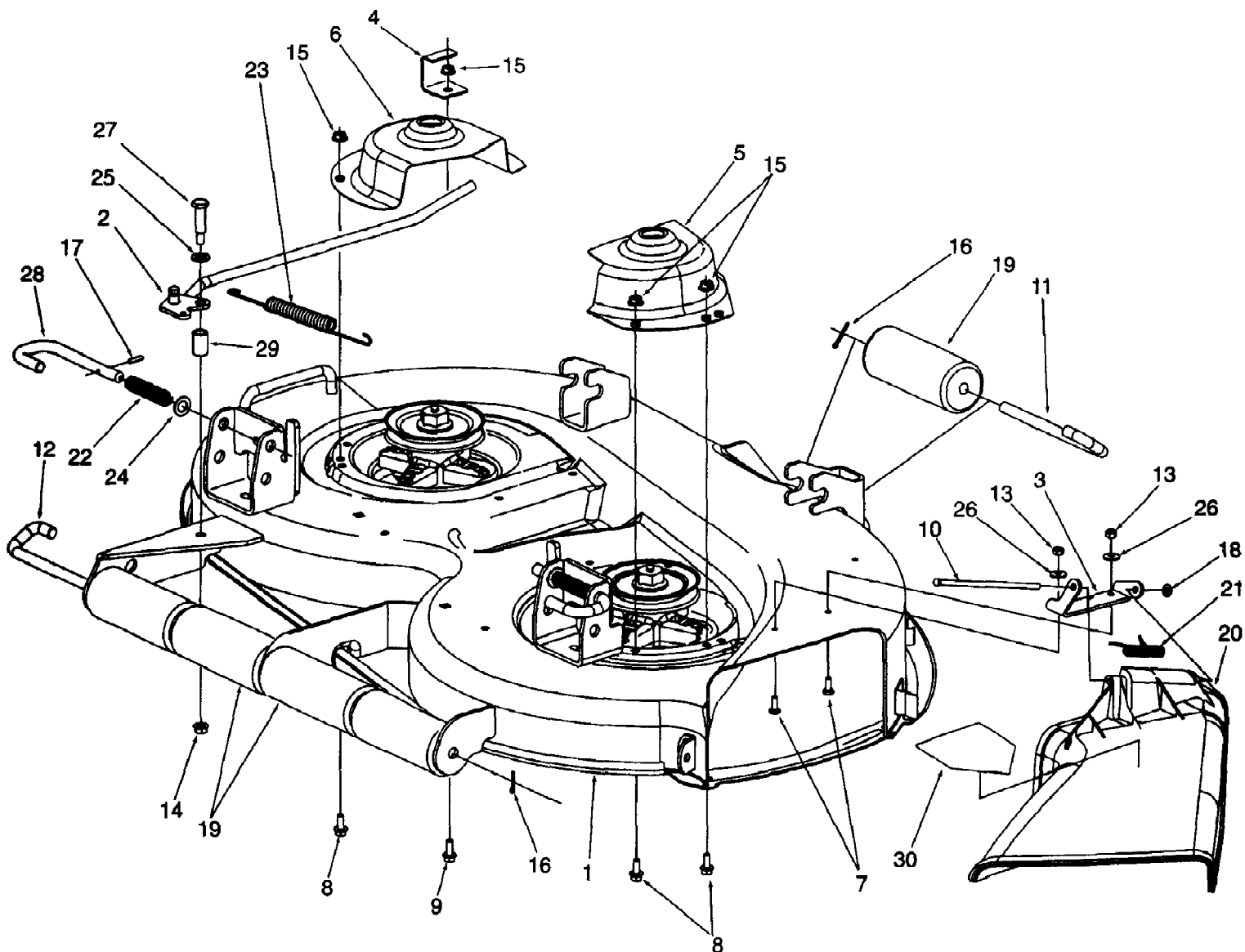


Z-16 (1999)  
42" Deck Assembly

Page 1 of 35

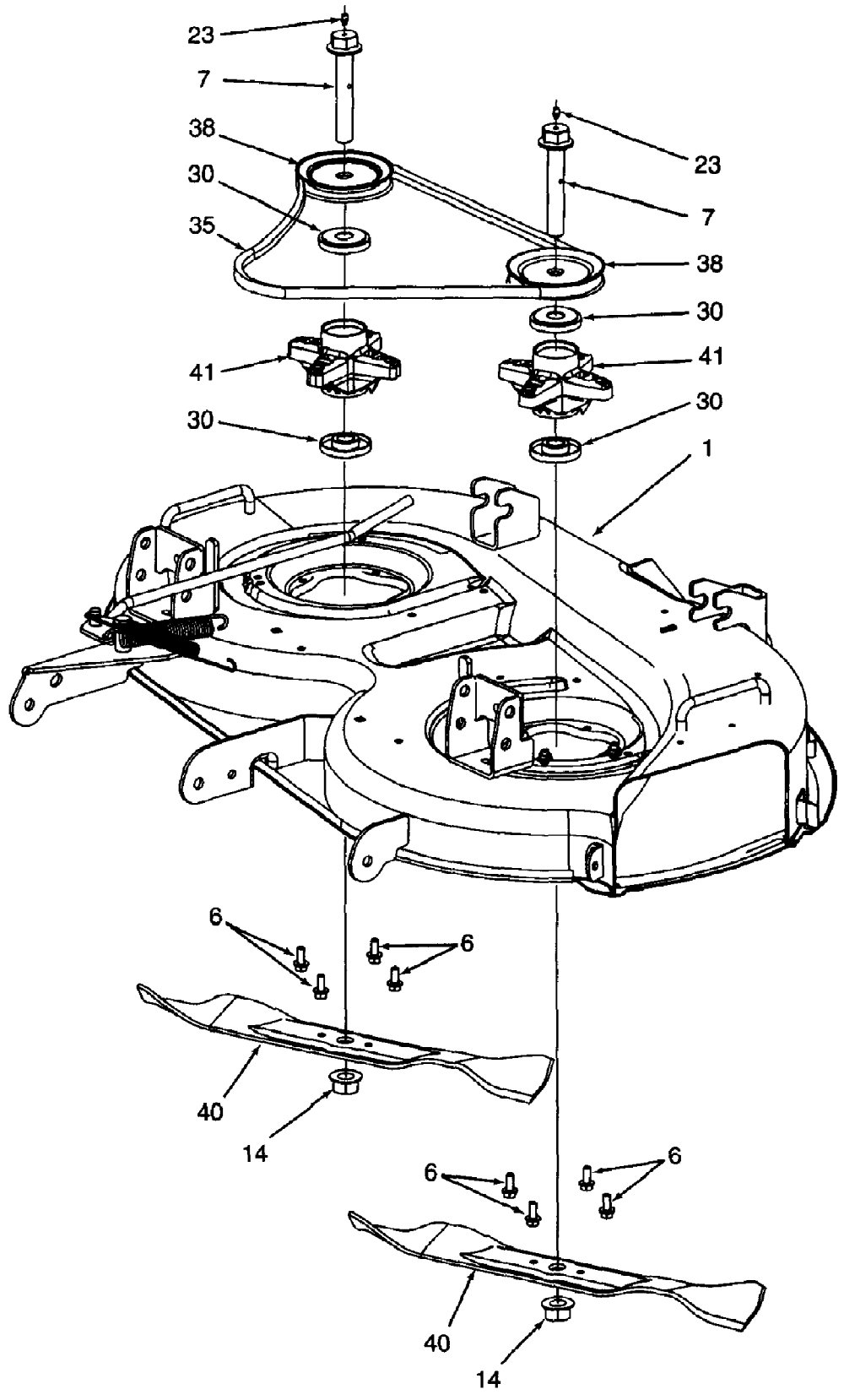
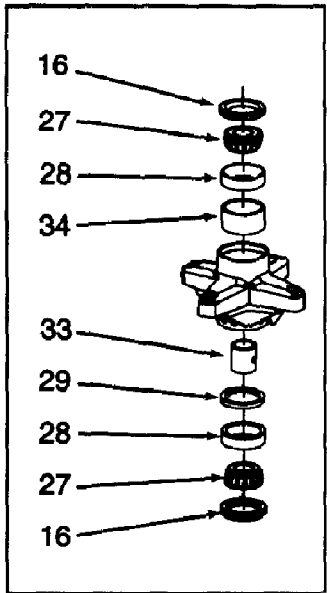


Z-16 (1999)  
42" Deck Assembly

Page 2 of 35

Ref #	Part Number	Qty	S/P/F	Description
1	603-0316	1		Housing Ass'y, 42" Mower Deck
	777-1426	1	S	Label, Danger, Top of Deck
	777-9192B	1	S	Label, Safety, Top of Deck
2	603-0580	1		Rod Ass'y, Engagement
3	703-1693	1	S	Bracket, Hinge Mounting
4	703-2559	1		Bracket, Stop
5	703-2944A	1	S	Shield, RH Pulley
6	703-2945	1		Shield, LH Pulley
7	710-0258	2	S	Screw, Hex Cap, 1/4-20 x .62
8	710-1260	3	S	Screw, Hex Wash Hd TT Tapp 5/16-18 x .75
9	710-3008	1	/P	Screw, Hex Cap 5/16-18 x .75 GR5
10	711-0792	1	S	Pin, Hinge, .25 Dia x 6.75 Lg
11	711-3314	1	S	Pin, Roller, 1/2 x 7.31
12	711-3358	1		Pin, 42" Deck Roller
13	712-3006	2	/P	Nut, Hex, 1/4-20
14	712-0431	1	S	Nut, Hex Flange Lock, 3/8-16
15	712-3004A	4	/P	Nut, Hex Flange Lock, 5/16-18
16	714-0115	2	S	Pin, Cotter, 1/8 x 1.0
17	715-3003	2		Pin, Spirol, 3/16 x 3/4
18	726-0106	1	S	Cap, Speed Nut
19	731-3005	5	/P	Roller
20	731-1032	1	S	Deflector Ass'y, Chute (Includes Ref No 3, 10, 18 & 21)
21	732-0602	1	S	Spring, Torsion
22	732-0802	2		Spring, Compression
23	732-0851	1	S	Spring, Extension
24	736-0160	2	S	Washer, Flat, .536 x .93 x .05
25	736-0192	1	S	Washer, Flat, .531 x .93 x .90
26	736-0270	2	/P	Washer, Bell, .265 x .75 x .062
27	738-0213	1	/P	Bolt, Shoulder, .498 x 1.45:3/8-16
28	747-3013	2		Pin, Mower Support
29	750-0151	1	S	Spacer, .550 x .750 x .965
30	777-1584	1	S	Graphic, Danger Cut Finger

Z-16 (1999)  
42" Deck Drive & Spindle Assembly

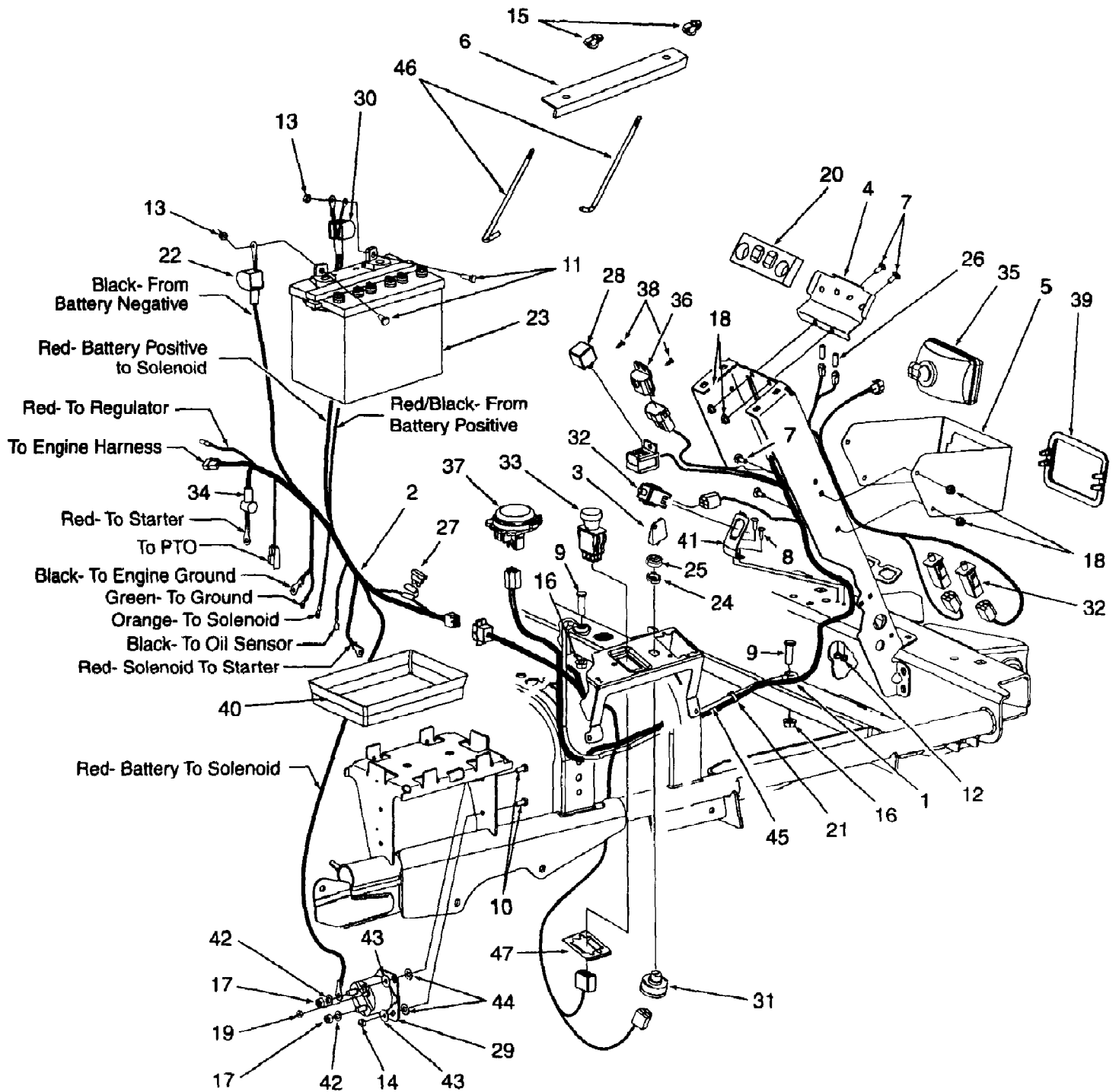


Z-16 (1999)

Page 4 of 35

## 42" Deck Drive &amp; Spindle Assembly

Ref #	Part Number	Qty	S/P/F	Description
1	603-0316	1		Housing Ass'y, 42" Mower Deck
2	603-0581	1		Pivot Arm Ass'y, Double Pulley
3	603-0584	1	S	Plate Ass'y, Deck Mounting
4	703-3147	1	S	Arm, Idler Pivot
5	710-0520	1	/P	Screw, Hex Cap, 3/8-16 x .75 GR5
6	710-1260	8	S	Screw, Hex Wash Hd TT Tapp 5/16-18 x .75
7	710-1336	2	S	Bolt, Spindle, 3/4-16 x 4.25
8	710-3008	1	/P	Screw, Hex Cap, 5/16-18 x .75 GR5
9	710-3151	1	/P	Screw, Hex Cap, 5/16-18 x 4.25 GR5
10	710-3178	2	/P	Bolt, Carriage, 3/8-16 x .75
11	712-0239	1	S	Nut, Hex Center Lock, 1/2-20
12	712-0431	3	S	Nut, Hex Flange Lock, 3/8-16
13	712-3004A	1	/P	Nut, Hex Flange Lock, 5/16-18
14	712-3078	2	/P	Nut, Hex Flange, 3/4-16
15	716-3020	2	S	Ring, Internal Snap
16	721-3018	4	S	Seal, Oil. 1.25 x 1.874 x .25
17	732-0850	1	S	Spring, Extension, 1.0 OD x 6.14
18	736-0100	1	/P	Washer, Flat, .513 x 1.25 x .036
19	736-0179	1	S	Washer, Flat, .5 x 1.25 x .10
20	736-0187	1	/P	Washer, Flat, .64 x 1.24 x .06 Hdn
21	736-0188	3	/P	Washer, Flat, .76 x 1.49 x .06 Hdn
22	736-0290	1	/P	Washer, Flat, 5/8 x 1.0 x .063
23	737-3000	3	S	Fitting, 3/16 Drive Lube
24	738-0988	1		Spacer, Shoulder
25	741-0338	2	/P	Bearing, Flange, 3/4 ID x .52
26	741-0524	2	S	Bearing, Ball, .625 x 1.57 x .47
27	741-3028	4	S	Cone, Bearing
28	741-3029	4	/P	Cup, Bearing
29	741-3031	2	S	Spacer, Bearing
30	748-3065	4	S	Spacer, Deck Spindle
31	750-0656	1	/P	Spacer, .50 x .75 x 2.25
32	750-3164	1		Spacer, .635 x 2.0
33	750-3190	2	S	Spacer, Bearing, .78 x .963 x .7777
34	750-3191	2		Spacer, Bearing 1.615 x 1.86 x .8427
35	754-0347	1	S	Belt, Spindle, A-Section x 63.2
36	754-3091	1	S	Belt, PTO, B-Section x 69
37	756-0627	1	S	Pulley, Flat Idler, 3.5 OD
38	756-3089	2		V-Pulley, 4.0 Dia
39	756-3100	1		Pulley, Double 5.0 OD x 5.56 OD Use with P/N 717-3389 PTO
	756-3103	1		Pulley, Double 4.66 OD x 5.06 OD Use with P/N 717-3460 PTO
40	759-3830	2		Blade, 3 in One, 21.20 Lg
41	918-3129	2	S	Spindle Assembly, Blade (Includes Ref Nos 16, 27, 28, 29, 33 & 34)
	717-3389	1	S	Clutch PTO
	717-3460	1	S	Clutch PTO

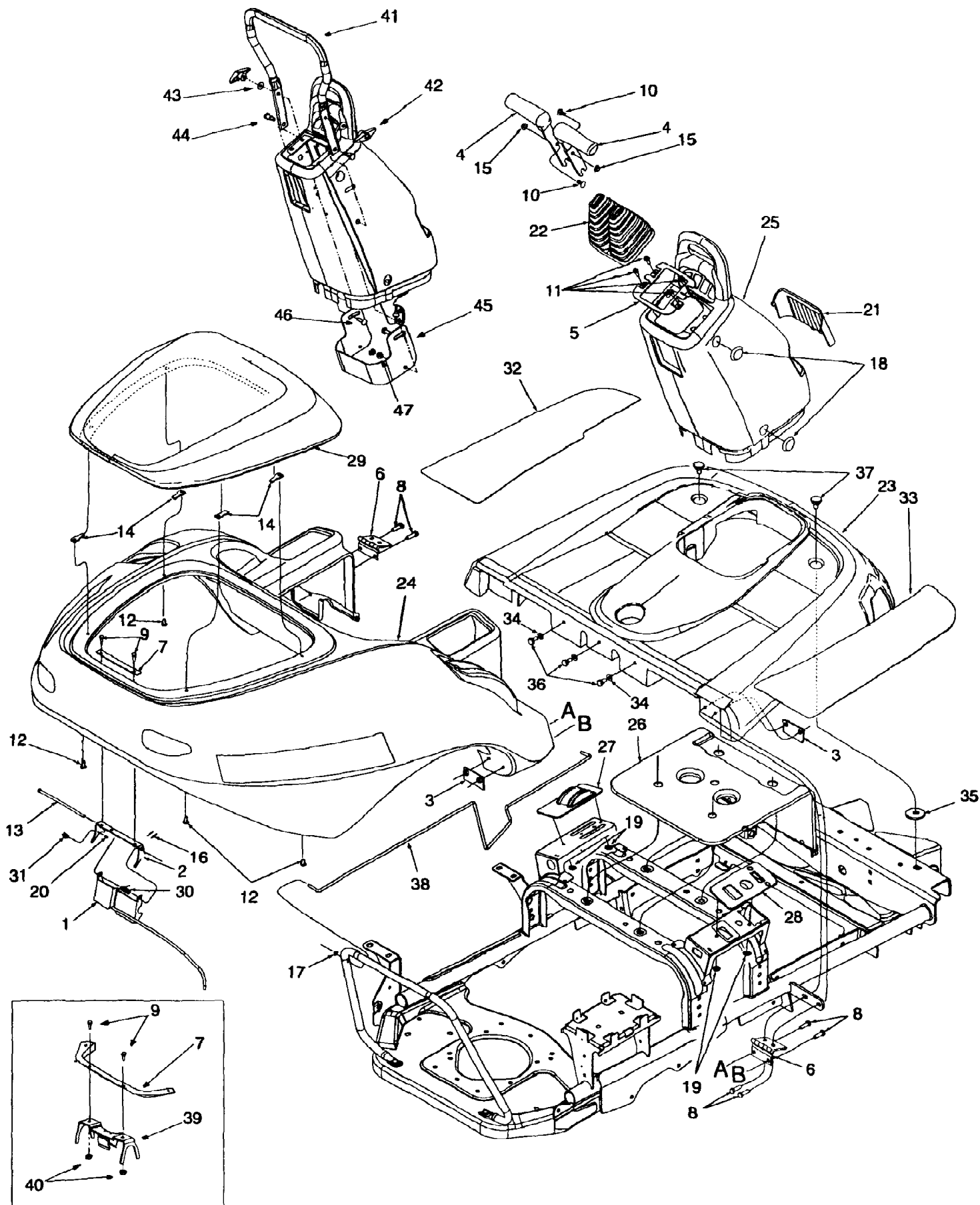


Z-16 (1999)

Page 6 of 35

## Battery, Electrical Components And Switches

Ref #	Part Number	Qty	S/P/F	Description
1	629-3033	1		Wire Harness, Main
2	629-3038	1		Wire Harness, Engine Includes Ref. Nos. 22, 27, 30 & 34
3	725-1341B	2	/P	Key, Ignition
4	703-2809	1	S	Bracket, Indicator Bulb Mtg
5	703-2836	1		Bracket, Headlight Mtg
6	703-3149	1	S	Strip, Battery Retainer
7	710-0134	6	/P	Bolt, Carriage, 1/4-20 x .62
8	710-0425	2	/P	Screw, Machine, #10-24 x 5/8
9	710-0723	2	/P	Screw, Hex Cap, 3.8-16 x 1.25
10	710-0751	2	/P	Screw, Hex Cap, 1/4-20 x .62 GR5
11	710-3015	2	/P	Screw, Hex Cap, 1/4-20 x .75 GR5
12	712-0161	2	/P	Nut, Hex Insert Lock, #10-24
13	712-0271	2	/P	Nut, Hex Sems, 1/4-20
14	712-0291	2	S	Nut, Hex Center Lock, 1/4-20
15	712-0397	2	S	Nut, Nylon Wing, 1/4-20
16	712-0431	2	S	Nut, Hex Flange Lock, 3/8-16
17	712-3010	2	S	Nut, Hex, 5/16-18
18	712-3027	6	S	Nut, Hex Flange Lock, 1/4-20
19	712-3071	1	S	Nut, Hex Sems, #10-32
20	723-0455	1		Foam Protector, Indicator Light
21	725-0157	3	/P	Cable Tie
22	725-0340	1		Cover, Battery Terminal - Black
23	725-0453E	1	S	Battery
24	725-1346	1	S	Nut, Ignition Switch, 5/8-32
25	725-1347	1	/P	Cap, Ignition Switch
26	725-1365	2	S	Bulb, Indicator
27	725-1656	1		Fuse, Mini, 20Amp
28	725-1718	1	S	Relay
29	725-3001	1	S	Solenoid Switch
30	725-3007A	1	/P	Cover, Battery Terminal - Red
31	725-3163	1	S	Switch, Ignition
32	725-3164A	3	S	Switch, Plunger Safety
33	725-1716	1	S	Switch, PTO
34	725-3237	1		Cover, Terminal - Red
35	725-3250	1	S	Headlight Assembly
	759-3864	1	S	Bulb, Headlight - Only
36	725-3251	1	S	Sensor, Voltage
37	725-3253	1	S	Switch, Seat
38	726-0349	2	S	Retainer, Ratcheet
39	731-3184	1		Bezel, Headlight
40	731-3233	1		Tray, Battery
41	732-0816	1		Spring, Switch Mounting
42	736-0119	2	S	Washer, Lock, 5/16
43	736-0270	2	/P	Washer, Bell, .265 x .75 x .062
44	736-3006	2		Washer, Int./Ext. Lock, 1/4 ID
45	747-3271	1		Rod, Harness Mtg
46	747-3347	2		Rod, Battery Retainer
47	783-0462	1	/P	Bracket, PTO Switch Retainer



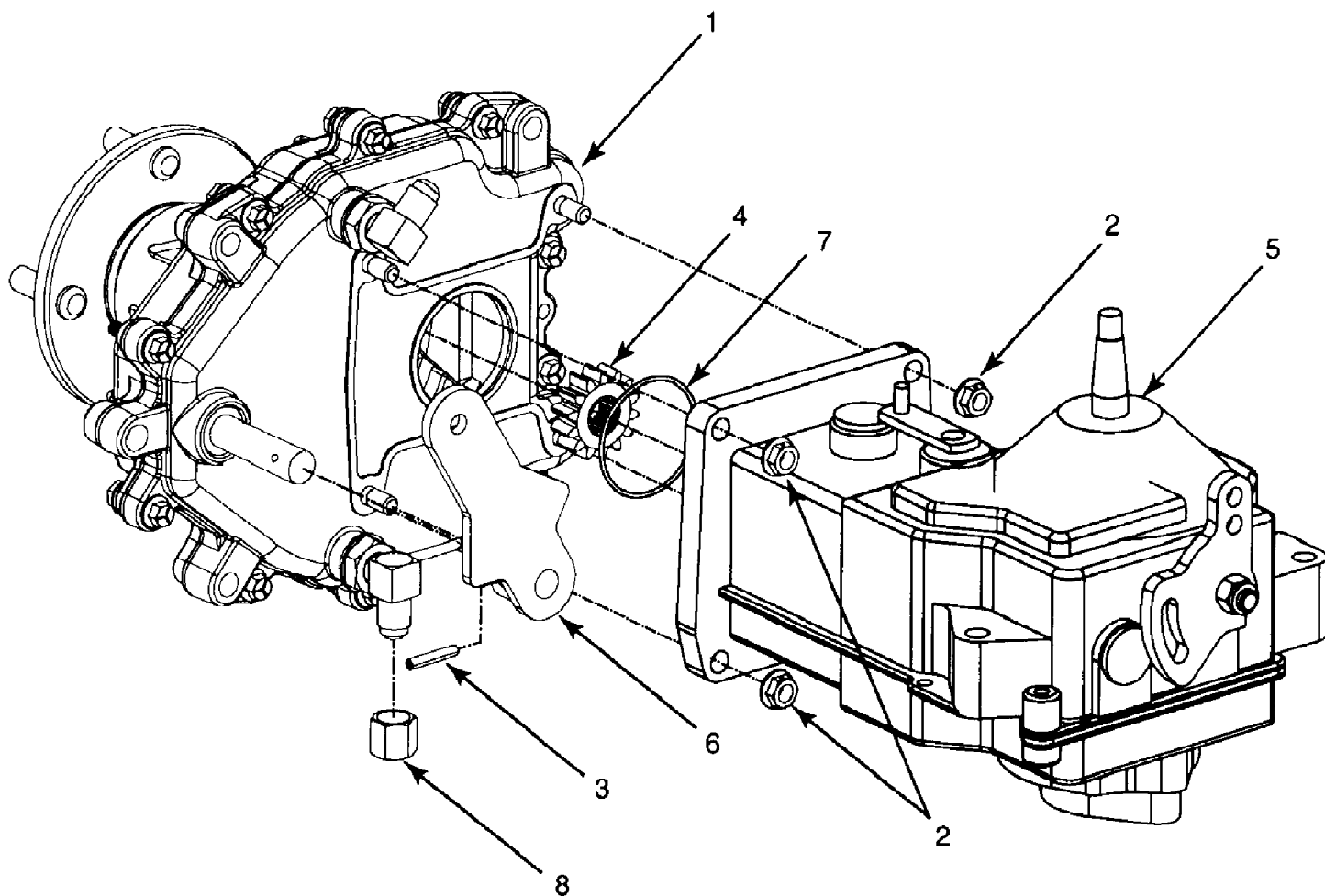
Z-16 (1999)  
Body Cover Panels

Page 8 of 35

Ref #	Part Number	Qty	S/P/F	Description
1	603-0347	1		Handle Ass'y, Latch
2	603-0467	1	S	Bracket, Latch
3	603-0578	4		Plate Ass'y, Body Mounting
4	631-3005	2		Handle, Control
5	703-2648	1		Bracket, Bellow Retainer
6	703-2928	2		Hinge, Body
7	703-3078	1	S	Plate, Latch Mounting
8	710-0376	8	/P	Screw, Hex Cap, 5/16-18 x 1.0 GR5
9	710-0425	2	/P	Screw, Pan Hd, #10-24 x .625
10	710-0451	2	/P	Bolt, Carriage, 5/16-18 x .75
11	710-0642	4	/P	Screw, Hex Wash. Hd. Tap 1/4-20 x .75
12	710-0946	4	/P	Screw, Truss Machine 1/4-20 x .625 GR2
13	711-1092	1		Rod, Latch Mounting
14	712-0185	4		Nut, U-Type Speed, 1/4-20
15	712-3004A	2	/P	Nut, Hex Flange Lock, 5/16-18 GR5
16	714-0127	2	/P	Pin, Cotter, 1/16 x .75
17	726-0106	1	S	Push Cap, 1/4
18	726-0289	2		Plug, Button
19	726-3047	4	S	Push Nut
20	728-0117	1		Rivet, Pop, .125 Dia.
21	731-3128A	1		Lens, Headlight
22	731-0050	1		Bellow, Control
23	731-0051	1		Body, Front Floor Includes Ref. No. 32 & 33
24	731-0052	1		Body, Rear Engine Compartment
25	731-0053	1		Console
26	731-0055	1		Cover, Seat Base
27	731-0056	1	S	Cover, LH Control Panel
28	731-0057	1		Cover, RH Control Panel
29	731-0054	1		Cover, Engine
30	732-0848	1		Spring, Torsion
31	732-0830	1	S	Clip, Spring
32	735-0259	1		Pad, Floor LH
33	735-0260	1		Pad, Floor RH
34	736-0275	3	S	Washer, Flat
35	736-3039	2	S	Washer, Flat, .406 x 1.5 x .110
36	738-0140	3	S	Bolt, Shoulder
37	738-3163A	2	/P	Bolt, Shoulder, .75 x .245:3/8-16
38	747-3303	1		Rod, Prop Support
39	603-0643	1		Clip Spring Bracket Assembly
40	712-3027	1	S	Hex Nut Lock Flange 1/4-20
41	749-3081	1		Cruise Control Tube
42	720-0241	2	S	Wing Nut 5/16-18
43	736-0242	2	/P	Bell Wash .340 ID
44	738-0754	2		Shoulder Screw .437 Dia. .54
45	703-3288	1	S	Control Tube Mount Bracket
46	710-0276	2	/P	Carriage Screw 5/16-18
47	712-3004A	2	/P	Nut, Hex Flange Lock, 5/16-18 GR5



Z-16 (1999)  
Complete Transmission Assembly (L.H. Shown)

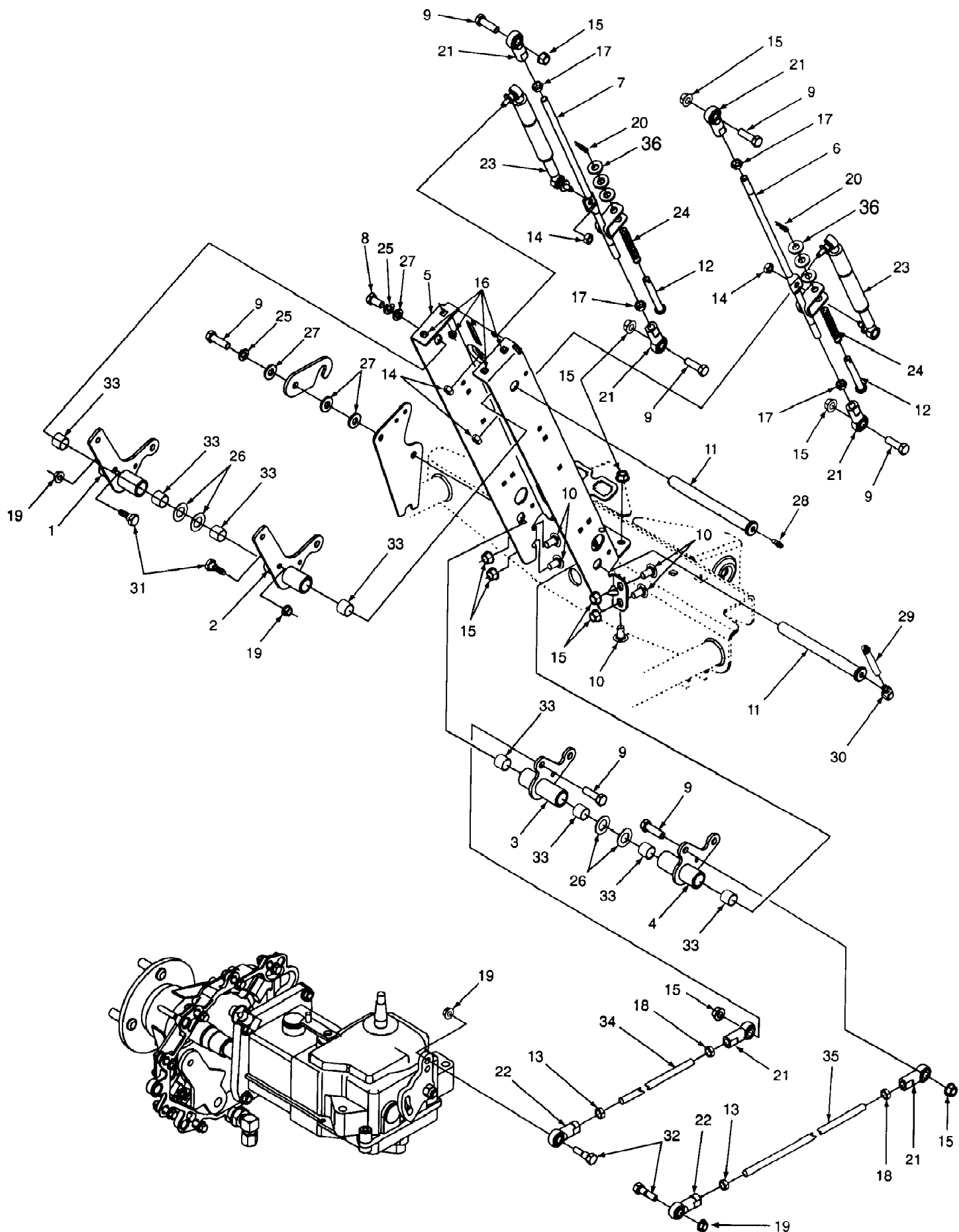


Z-16 (1999)

Page 10 of 35

Complete Transmission Assembly (L.H. Shown)

Ref #	Part Number	Qty	S/P/F	Description
1	618-3110A	1	S	Drive Ass'y Complete
2	712-3004A	1	/P	Hex Flange Lock Nut 5/16-18
3	715-0136	1	S	Spirol Pin 3/16 x 1.25
4	717-3396	1	S	Spur Gear 14T
5	717-3455	1	S	Hydro Transmission
6	718-3053	1		Parking Brake Lever
7	721-0343	1		O-Ring 2.0 Dia.
8	727-3125	1	S	Cap Nut 3/8

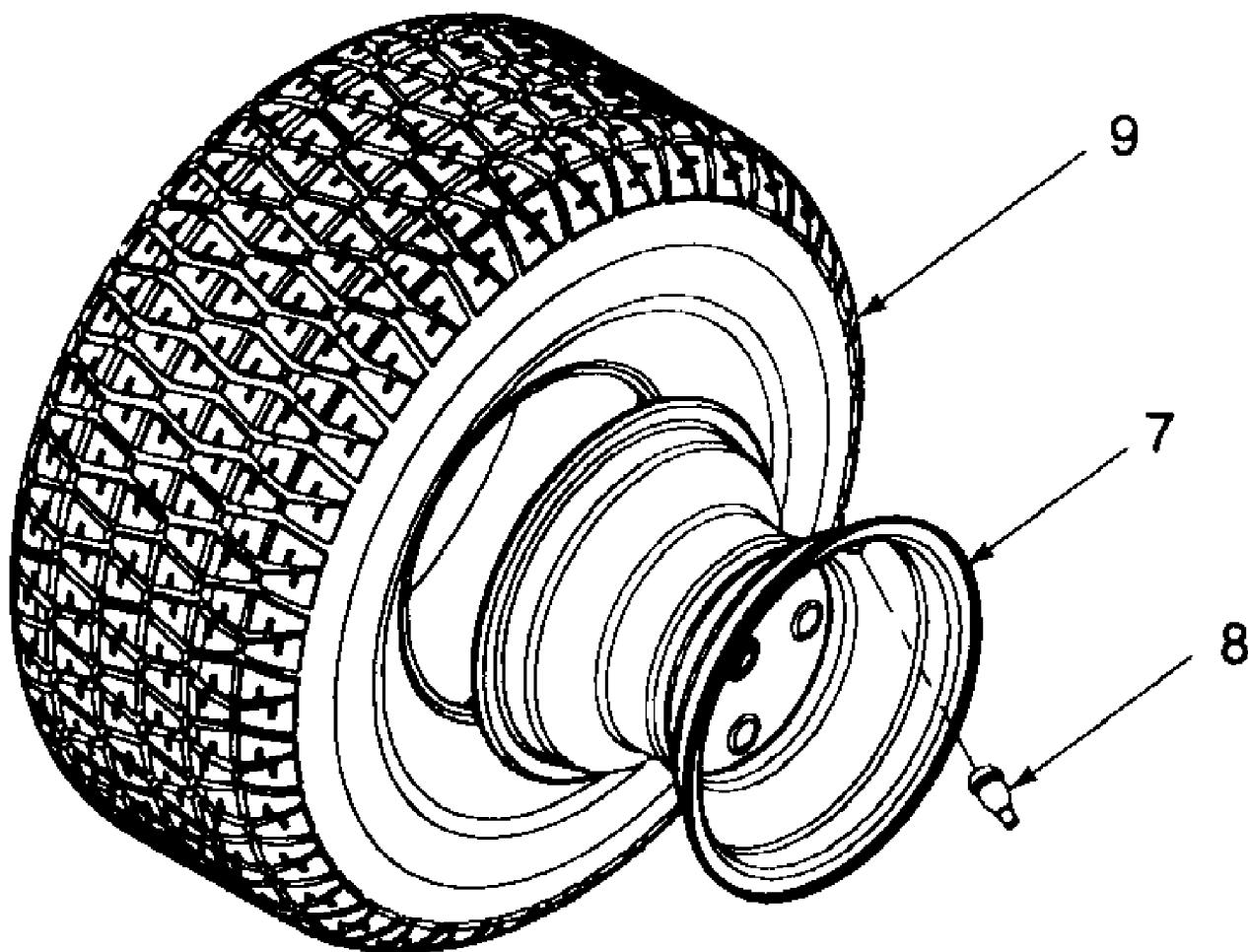


Z-16 (1999)

Page 12 of 35

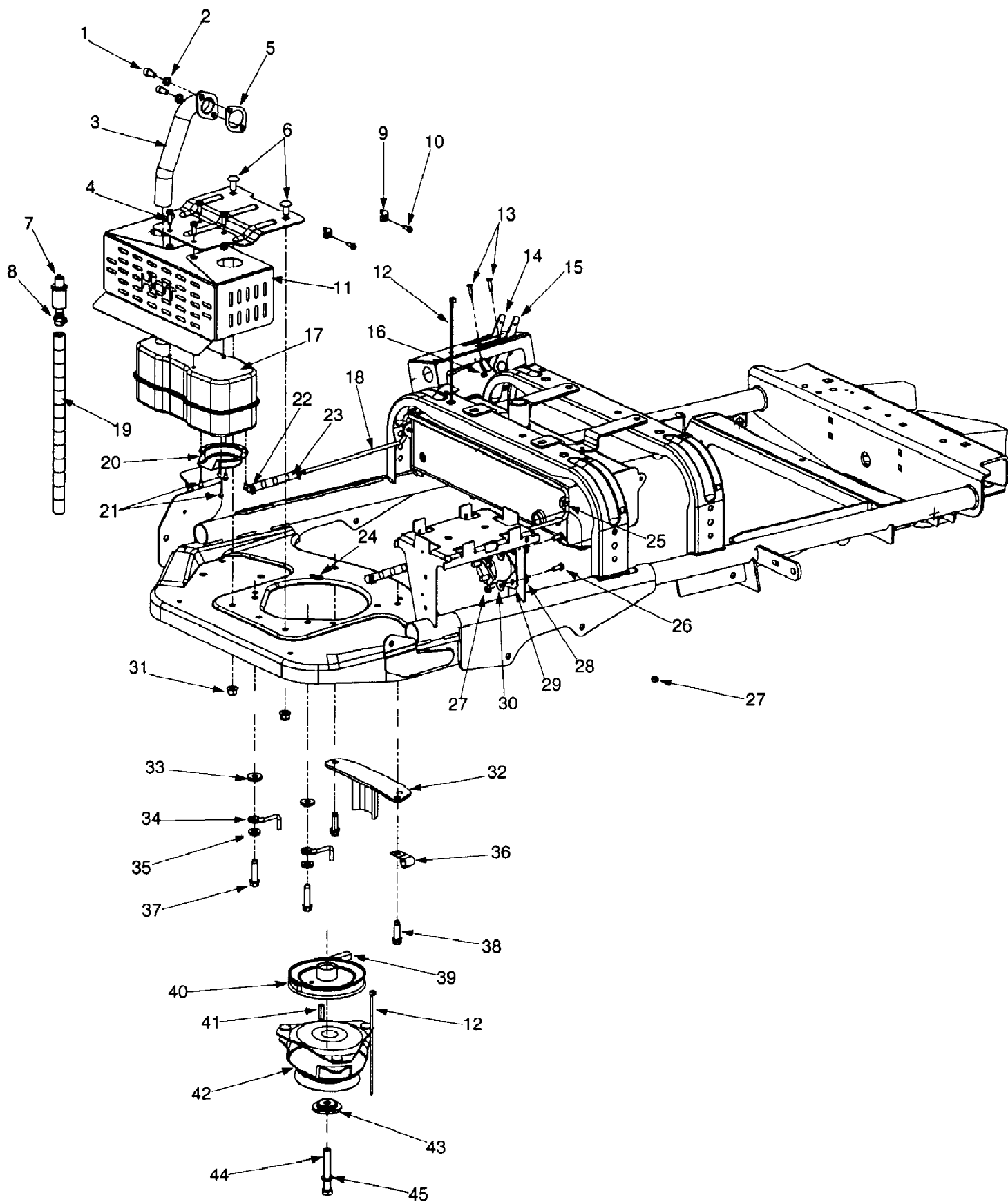
## Drive Controls And Support Tower

Ref #	Part Number	Qty	S/P/F	Description
1	603-0340	1	S	Bellcrank Ass'y Upper LH
2	603-0341	1	S	Bellcrank Ass'y Upper RH
3	603-0342	1	S	Bellcrank Ass'y Lower LH
4	603-0343	1	S	Bellcrank Ass'y Lower RH
5	603-0364	1	S	Support Ass'y Tower
6	603-0410	1		Rod Ass'y Control RH
7	603-0411	1		Rod Ass'y Control LH
8	710-0216	1	/P	Hex Cap Screw 3/8-16 x .75
9	710-3005	1	/P	Hex Cap Screw 3/8-16 x 1.25
10	710-3178	1	/P	Carriage Bolt 3/8-16 x .75
11	711-1111	1		Control Shaft
12	711-1124	1		Pin
13	712-0312	1	S	Hex Jam Nut LH 3/8-24
14	712-0365	1		Hex Center Lock Nut
15	712-0431	1	S	Hex Flange Lock Nut 3/8-16
16	712-0453	1		Retainer 1/4-20
17	712-0711	1	/P	Hex Jam Nut 3/8-24
18	712-3001	1	S	Hex Jam Nut 3/8-24
19	712-3004A	1	/P	Hex Flange Lock Nut 5/16-18
20	714-0104	1	S	Cotter Pin
21	723-0420	1	S	Spherical Rod End RH 3/8-24
22	723-0421	1	S	Spherical Rod End LH 3/8-24
23	727-3113	1		Damper Cylinder
24	732-3084	1		Spring Compression
25	736-0169	1	S	Lock Washer 3/8
26	736-0539	1		Thrust Washer .625 ID x 1.12 OD
27	736-3004	1	S	Flat Washer, .406 ID x .875 OD
28	737-0280	1	S	Grease Fitting
29	737-3072	1		Grease Fitting w/Tube
30	737-3073	1		Adapter 1/4-20
31	738-0296	1	S	Shoulder Bolt .437 Dia. x .268
32	738-3153	1		Shoulder Bolt
33	741-3063	1		Sleeve Bearing
34	747-3281	1		Control Rod LH 31-5/8
35	747-3282	1		Control Rod RH 35-3/8
36	736-0300	1	S	Flat Washer .406 ID x .87 OD



Z-16 (1999)  
Drive Wheel

Ref #	Part Number	Qty	S/P/F	Description
7	634-3031	1		Rim Ass'y 8.0 x 4.85
8	734-0255	1	S	Tubeless Air Valve
9	734-3118	1		Tire 20.0 x 7.0 x 8.0



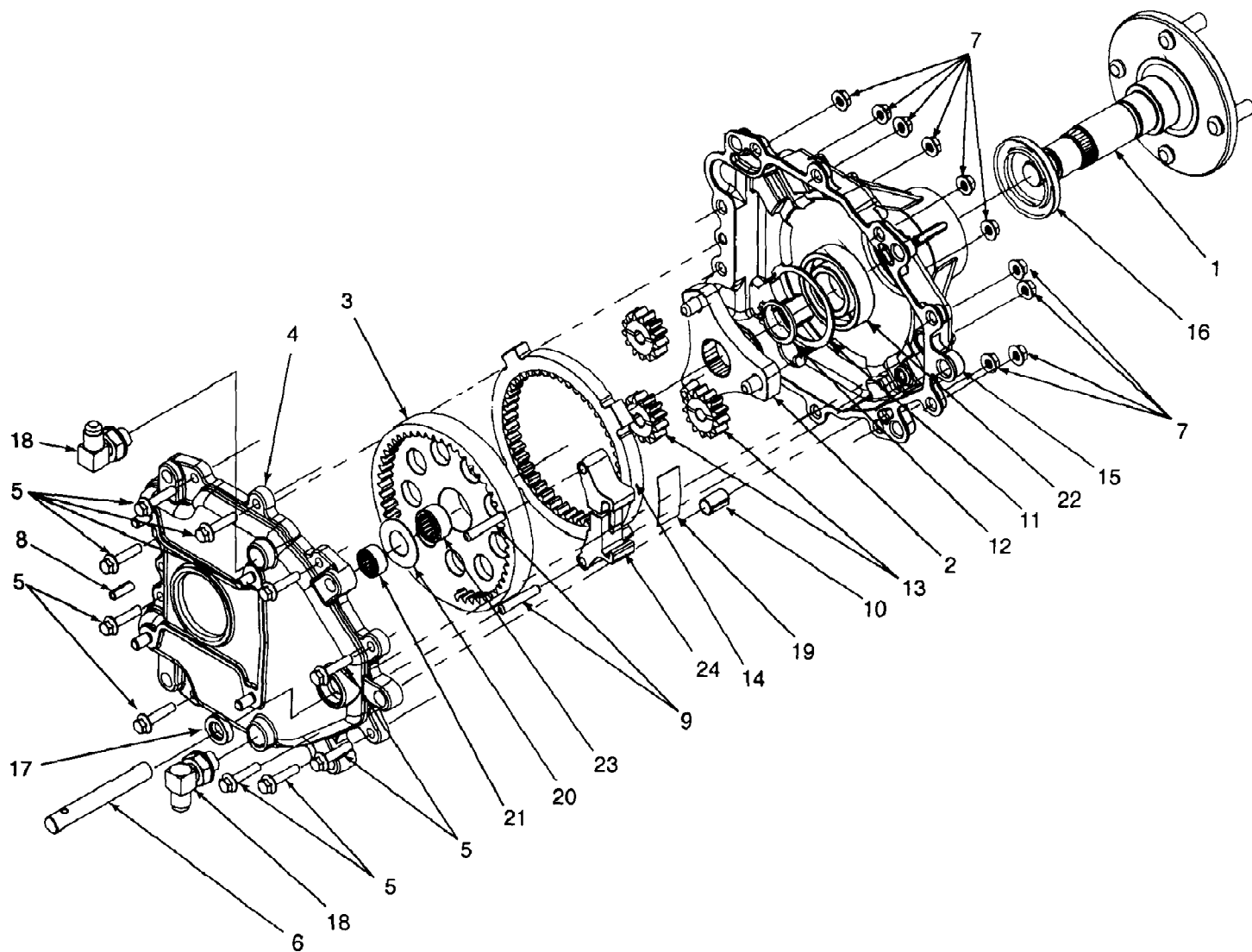
Z-16 (1999)

Page 16 of 35

Engine Mounting, Muffler, Controls And PTO Clutch

Ref #	Part Number	Qty	S/P/F	Description
1	710-1314	1	S	Cap Screw 5/16-18
2	736-0119	1	S	Lock Washer 5/16
3	751-0619	1	S	Exhaust Pipe
4	710-0642	1	/P	Hex Washer Screw 1/4-20 x .75
5	721-0208	1	S	Exhaust Gasket
6	710-3178	1	/P	Carriage Bolt 3/8-16 x .75
7	751-3140	1	S	Oil Drain
8	751-3142	1		Oil Drain Cap
9	751B213146	1	/P	Throttle Clamp
10	710-1237	1		Hex Washer Screw #10-32 x .625
11	703-3004	1	S	Muffler Bracket
12	725-0157	1	/P	Cable Tie
13	710-3009	1	/P	Screw #10-24 x .75
14	746-3074	1		Throttle Cable Control 32"
15	746-3073	1		Choke Cable Control 32.25"
16	712-0161	1	/P	Hex Lock Nut #10 - 24
17	751-0617	1	S	Muffler
18	749-3048	1		Fuel Line
19	751-3141	1	S	Oil Drain Hose
20	751-0564	1	S	Muffler Deflector
21	710-0148	1	/P	Hex Washer Screw #8-32 x .375
22	726-0205	1	/P	Hose Clamp
23	751-0535	1		Fuel Line Hose
24	736-0607	1	/P	Lock Washer 5/16
25	725-1711	1		Retainer Clip
26	710-0751	1	/P	Hex Cap Screw 1/4-20 x .620
27	712-0291	1	S	Hex Lock Nut 1/4-20
28	736-3006	1		Lock Washer 1/4 ID x 3/4 OD
29	725-3001	1	S	Solenoid
30	736-0270	1	/P	Bell Washer .265 ID x .75 OD
31	712-0431	1	S	Flange Lock Nut 3/8-16
32	603-0317	1	S	Clutch Retainer Ass'y
33	736-0258	1	/P	Flat Washer .385 ID x 1.0 OD
34	747-3362	1		Rear Belt Retainer Rod
35	736-3010	1		Flat Washer .407 ID x .812 OD
36	726-3008	1	/P	Heat Shield Cable Clip
37	710-1007	1	/P	Hex Washer Screw 3/8-16 x 1.5
38	710-0502A	1	/P	Hex Washer Screw 3/8-16 x 1.25
39	754-3076	1	S	V-Belt
40	756-3060	1		Pulley
41	714-0128	1	/P	Key
42	717-3467	1		Electric Clutch
43	750-3106	1		Spacer Clutch
44	710-0510	1	/P	Hex Cap Screw 7/16-20 x 3.0
45	736-0171	1	S	Lock Washer 7/16

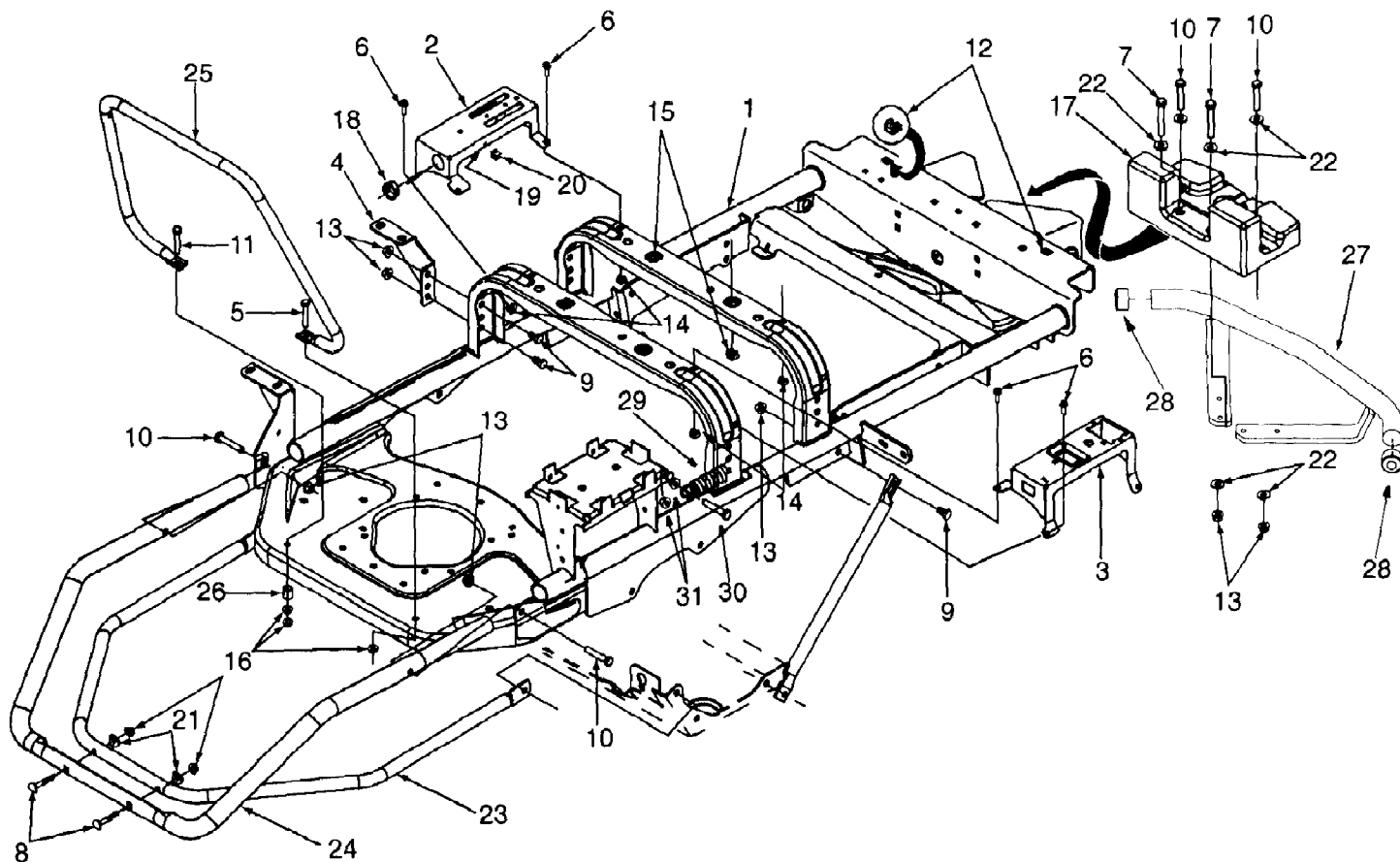




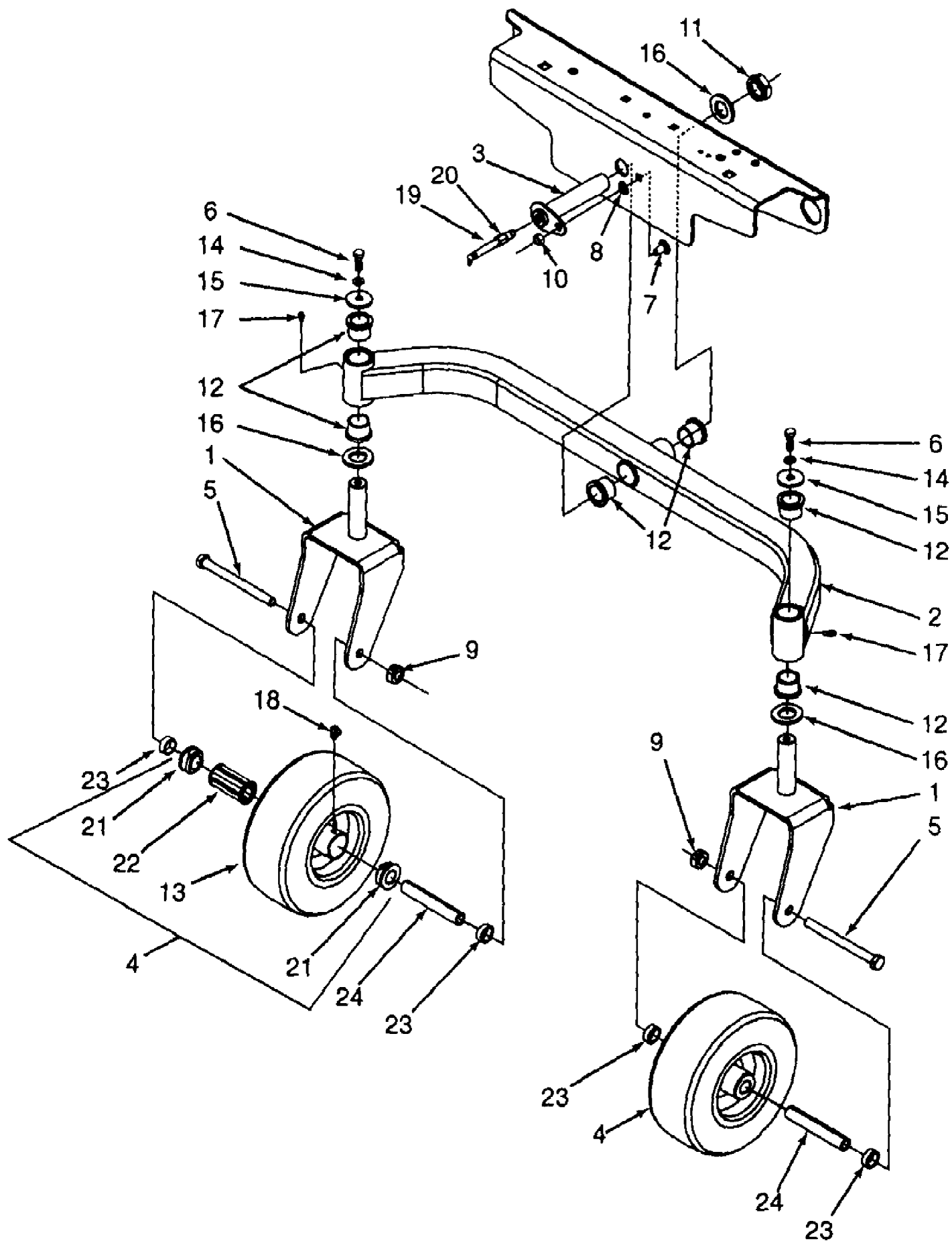
Z-16 (1999)  
Final Drive Assembly

Page 18 of 35

Ref #	Part Number	Qty	S/P/F	Description
	618-3110A	1	S	Drive Ass'y Complete
1	611-3012	1	S	Axle Assembly
	710-0852	1	/P	Ribbed Neck Stud
2	618-3106	1	S	Carrier Assembly, Output
3	618-3107	1	S	Gear Assembly, 51T Internal & 20T
4	618-3109	1	S	Housing Ass'y
5	710-1342	1		Hex Washer Screw 1/4-20 x 1-1/8
6	711-1048	1		Brake Shaft
7	712-3027	1	S	Hex Flange Lock Nut 1/4-20
8	715-0156	1		Roll Pin
9	715-0219	1		Dowel Pin
10	715-3045	1	S	Bushing
11	716-3015	1		Inverted Retaining Ring
12	716-3018	1		Snap Ring
13	717-3395	1		Spur Gear 13T
14	717-3397	1		Ring Gear 46T
15	719-3114	1	S	Axle Outer Housing
16	721-0381	1	S	Oil Seal
17	721-0393	1		Oil Seal
18	727-3124	1	S	Elbow Fitting
19	732-0752	1		Brake Shoe Spring
20	736-0351	1	S	Shim Washer .76 x 1.5 x .030
	736-0492	1	S	Shim Washer .76 x 1.5 x .010
	736-0493	1	S	Shim Washer .76 x 1.5 x .020
21	741-0665	1	/P	Needle Bearing
22	741-3033A	1	S	Ball Bearing
23	741-3080	1		Needle Bearing
24	761-3049	1		Shoe Brake



Ref #	Part Number	Qty	S/P/F	Description
1	603-0258B	1		Frame
2	603-0424	1	S	Control Panel LH
3	603-0425	1		Control Panel RH
4	703-2783	1	S	Fuel Tank Mounting Bracket
5	710-0376	1	/P	Hex Cap Screw 5/16-18 x 1.0
6	710-0642	1	/P	Hex Washer Screw 1/4-20 x .625
7	710-0521	1	/P	Hex Cap Screw
8	710-1174	1	/P	Curved Carriage Screw 5/16-18 x 2.0
9	710-0216	1	/P	Hex Cap Screw 3/8-16 x 3/4
10	710-0859	1	/P	Hex Cap Screw 3/8-16 x 2.5
11	710-3180	1	/P	Hex Cap Screw 5/16-18 x 1.75
12	712-0251	1		Retainer Nut 3/8-16
13	712-0431	1	S	Hex Flange Lock Nut 3/8-16
14	712-0453	1		Retainer Nut 1/4-20
15	712-0455	1		Retainer Nut 3/8-16
16	712-3004A	1	/P	Hex Flange Lock Nut 5/16-18
17	719-3130	1		Frame Counter Weight
18	723-3042	1		Snap Bushing
19	728-0117	1		Pop Rivet
20	732-0830	1	S	Spring Clip
21	736-0451	1	S	Saddle Washer
22	736-3004	1	S	Flat Washer .406 ID x .875 OD
23	749-3061	1		Lower Tube Bumper
24	749-3062	1		Upper Tube Bumper
25	749-3082	1	S	Engine Support Tube
26	750-3200	1		Spacer
27	603-0620	1		Front Bumper
28	726-0298	1		End Cap
29		1		UNKNOWN
30		1		UNKNOWN
31		1		UNKNOWN



Z-16 (1999)

Page 22 of 35

## Front Axle And Tire Assembly

Ref #	Part Number	Qty	S/P/F	Description
1	603-0363	1		Bracket, Castor Wheel
2	603-0382	1	S	Axle Ass'y Front Inc. 12 & 17
3	603-0389A	1		Pin Ass'y, Pivot
4	634-3164	1		Wheel Comp 11.0 x 4.0 x 5.0
5	710-0506	1	/P	Screw, Hex Cap, 1/2-20 x 5.5
6	710-0514	1	/P	Screw, Hex Cap, 3/8-16 x 1.0 GR5
7	710-3178	1	/P	Bolt, Carriage, 3/8-16 x .75
8	712-0229	1		Push Nut, Retainer, 3/8 ID
9	712-0239	1	S	Nut, Hex Center Lock, 1/2-20
10	712-0431	1	S	Nut, Hex Flange Lock, 3/8-16
11	712-3075	1	/P	Nut, Hex Lock, 1.0-14
12	731-0374	1	S	Bearing, Flange, 1.0 ID
13	734-3179	1		Tire, Urethane, Only
14	736-0169	1	S	Washer, Lock 3/8
15	736-0227	1	S	Washer, Flat, .39 x 1.5 x .134
16	736-0274	1	S	Washer, Special Flat
17	737-0280	1	S	Fitting, Grease
18	737-3004	1	/P	Fitting, Grease, 90° Tap 1/4-28
19	737-3072	1		Fitting, Grease, 65° w/Extension
20	737-3090	1	S	Adapter, 1/8 NPTF x 1/8 NPTF
21	741-3069	1		Bearing, Flange
22	741-3070	1	S	Bearing, Roller
23	750-0456	1	S	Spacer, .79 ID x .347 Lg
24	750-3197	1	S	Spacer, Wheel

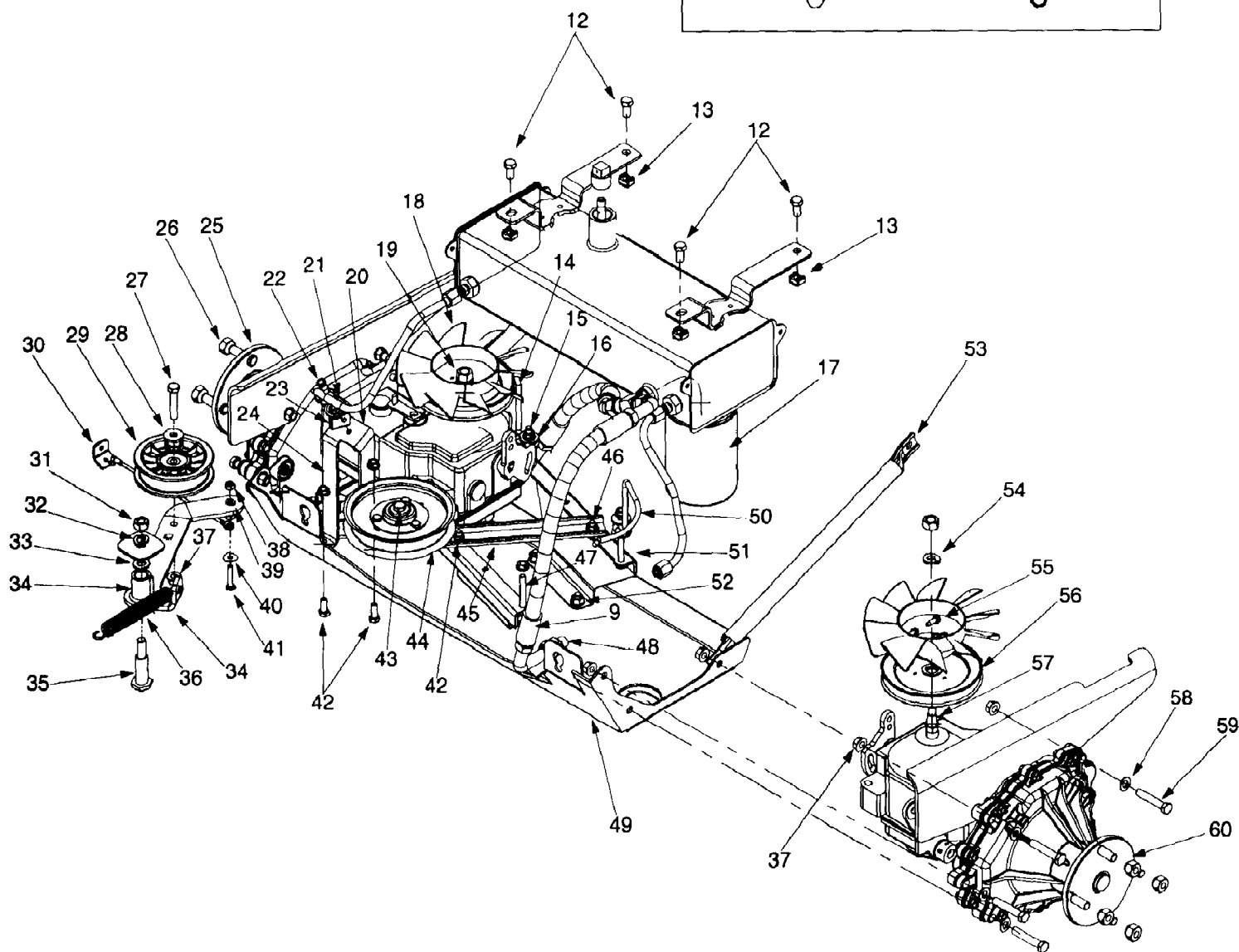
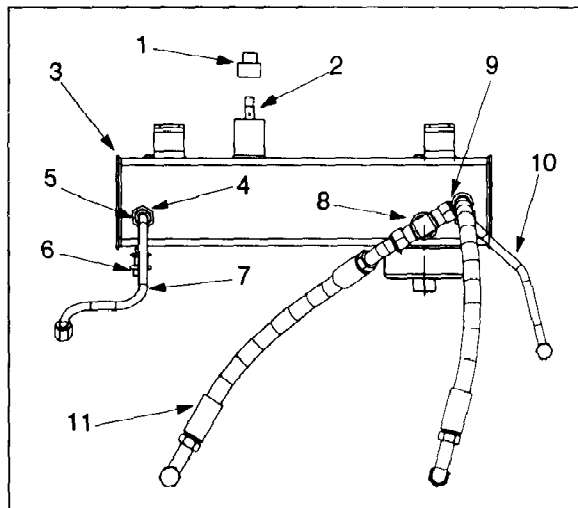
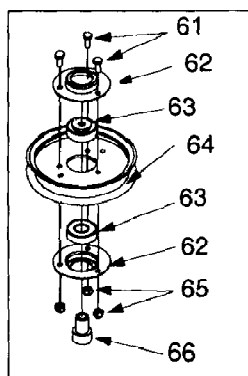


Z-16 (1999)  
Fuel Tank

Page 24 of 35

Ref #	Part Number	Qty	S/P/F	Description
1	703-2783	1	S	Fuel Tank Mounting Bracket
2	710-0870	1	/P	Hex Cap Screw 3/8-16 x .62
3	736-0169	1	S	Lock Washer 3/8
4	736-0227	1	S	Flat Washer .390 ID x 1.5 OD
5	751-3124B	1	S	Fuel Cap
6	751-3143	1		Fuel Tank





Z-16 (1999)

Page 26 of 35

Hydraulic Drive, Lines And Filter

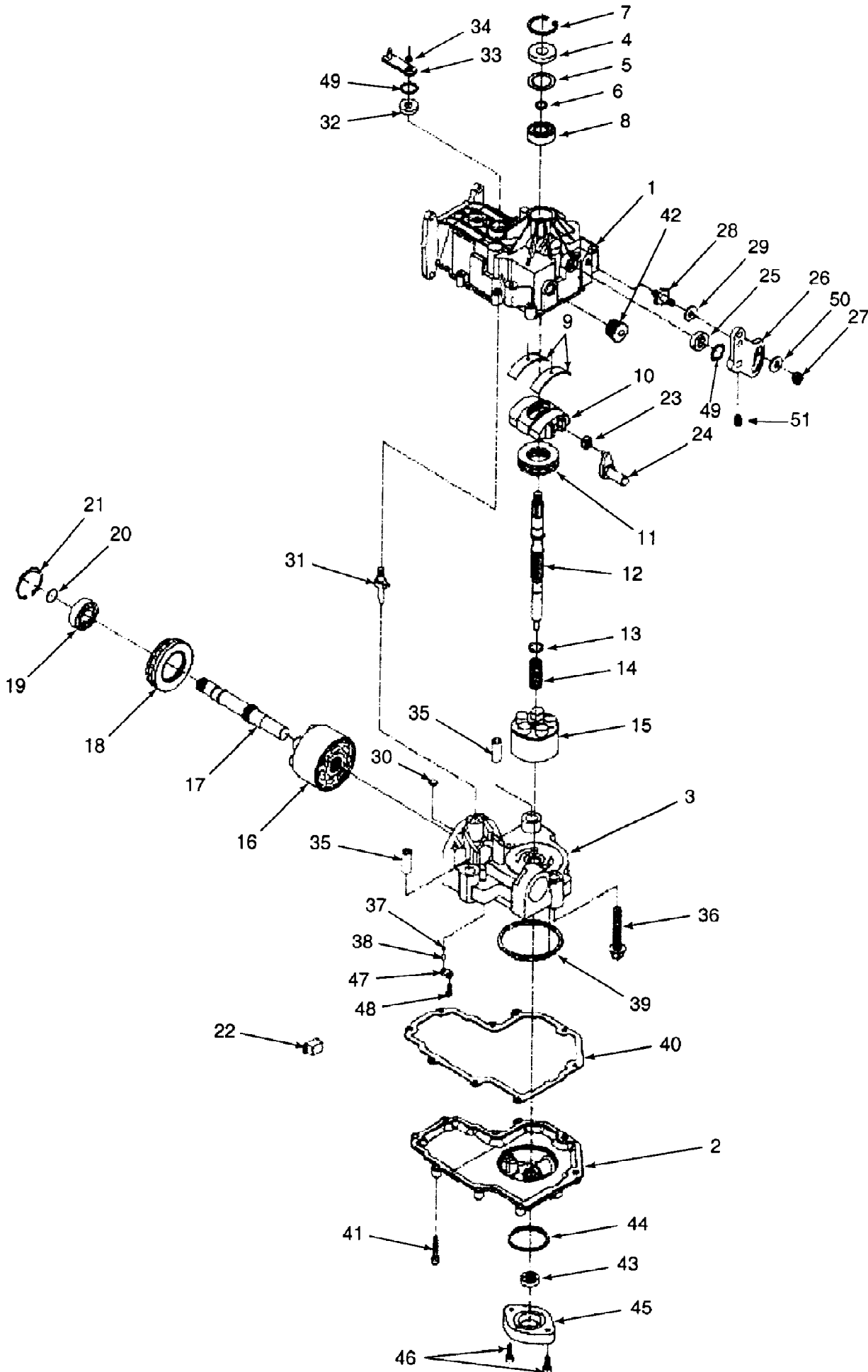
Ref #	Part Number	Qty	S/P/F	Description
1	737-3069	1		Pipe Plug
2	737-3070A	1		Pipe Dipstick
3	603-0639	1		Hydraulic Tank Assembly
4	727-3116	1	S	Connection Fitting
5	721-0223	1	S	Seal
6	738-0940	1	/P	Drain Plug
7	727-3120	1		Inlet Tube LH
8	727-3155	1		Tee Fitting
9	727-3154	1		Outlet Hose RH
10	727-3121	1		Inlet Tube RH
11	727-3153	1		Outlet Hose LH
12	710-0216	1	/P	Hex Cap Screw 3/8-16 x .75
13	712-0455	1		Retainer Nut 3/8-16
14	747-3360	1	S	Belt Retainer Rod RH
15	710-0378	1	/P	Hex Cap Screw 5/16-18 x 2.5
16	736-3089	1	/P	Flat Washer 5/16
17	723-3071	1		Filter Element
18	731-1449A	1	S	Fan Blade
19	712-0333	1	S	Hex Nut 1/2-20
20	703-3168	1		Mounting Pulley Bracket
21	756-0625	1		Roller Cable
22	738-0924	1	S	Hex Shoulder Screw 1/4-28 x .375
23	703-3169	1		Retainer Cable Bracket
24	712-0117	1	S	Lock Nut 1/4-28
25	618-3165	1		Complete Transmission Assembly LH
26	712-3050	1	/P	Lug Nut
27	710-0347	1	/P	Hex Cap Screw 3/8-16 x 1.75
28	736-0258	1	/P	Flat Washer .385 ID x 1.0 OD
29	756-0627	1	S	Flat Idler Pulley 3.5 OD
30	703-3174	1		Mounting Bracket Cable
31	712-3019	1	S	Hex Nut 7/16-14
32	736-0171	1	S	Lock Washer 7/16
33	736-3015	1	S	Flat Washer .469 ID x .875 OD
34	603-0377A	1	S	Idler Arm Assembly
35	603-0102	1		Shoulder Screw
36	732-0478	1	S	Extension Spring 6.12 Lg
37	712-0431	1	S	Flange Lock Nut 3/8-16
38	712-0138	1	S	Hex Nut 1/4-28
39	736-0329	1	S	Lock Washer 1/4
40	736-0342	1		Flat Washer .283 ID x .75 OD
41	710-0428	1		Hex Cap Screw 1/4-28 x 1.25
42	710-3008	1	/P	Hex Cap Screw 5/16-18 x .75
43	710-3011	1	/P	Hex Cap Screw 3/8-16 x 2.25
44	603-0362	1	S	Idler Pulley Assembly 5.0"
45	703-2888	1	S	Idler Bracket
46	712-3004A	1	/P	Flange Lock Nut 5/16-18
47	710-3103	1	/P	Hex Cap Screw 5/16-18 x 2.0
48	727-3100	1	S	Connection Fitting 1/2 x 3/8
49	603-0358B	1	S	Skid Plate Assembly
50	747-3361	1		Belt Rod LH
51	603-0450	1	S	Support Pump Assembly
52	710-3178	1	/P	Carriage Bolt 3/8-16 x .75
53	749-3040			

Z-16 (1999)

Page 27 of 35

Hydraulic Drive, Lines And Filter

Ref #	Part Number	Qty	S/P/F	Description
54	736-0921	1	S	Lock Washer 1/2
55	710-1189	1		Hex Washer Screw #12-24 x .625
56	756-0974	1	/P	Transmission Pulley
57	732-0729	1	/P	Wire Ring
58	736-0185	1	S	Flat Washer
59	710-3144	1	/P	Hex Cap Screw 3/8-16 x 2.0
60	618-3164	1		Complete Tranmission Assembly RH
61	710-0751	1	/P	Hex Cap Screw 1/4-20 x .62
62	703-2907	1		Bearing Cup
63	741-0600	1	S	Ball Bearing
64	756-3085	1		Idler Pulley 5.0"
65	712-0324	1	/P	Hex Lock Nut 1/4-20
66	750-3176	1		Idler Spacer

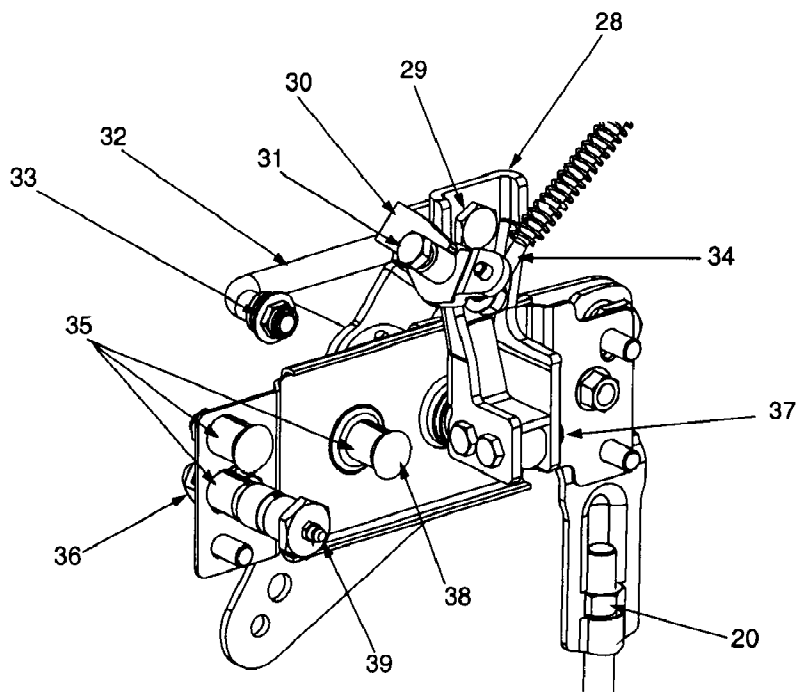
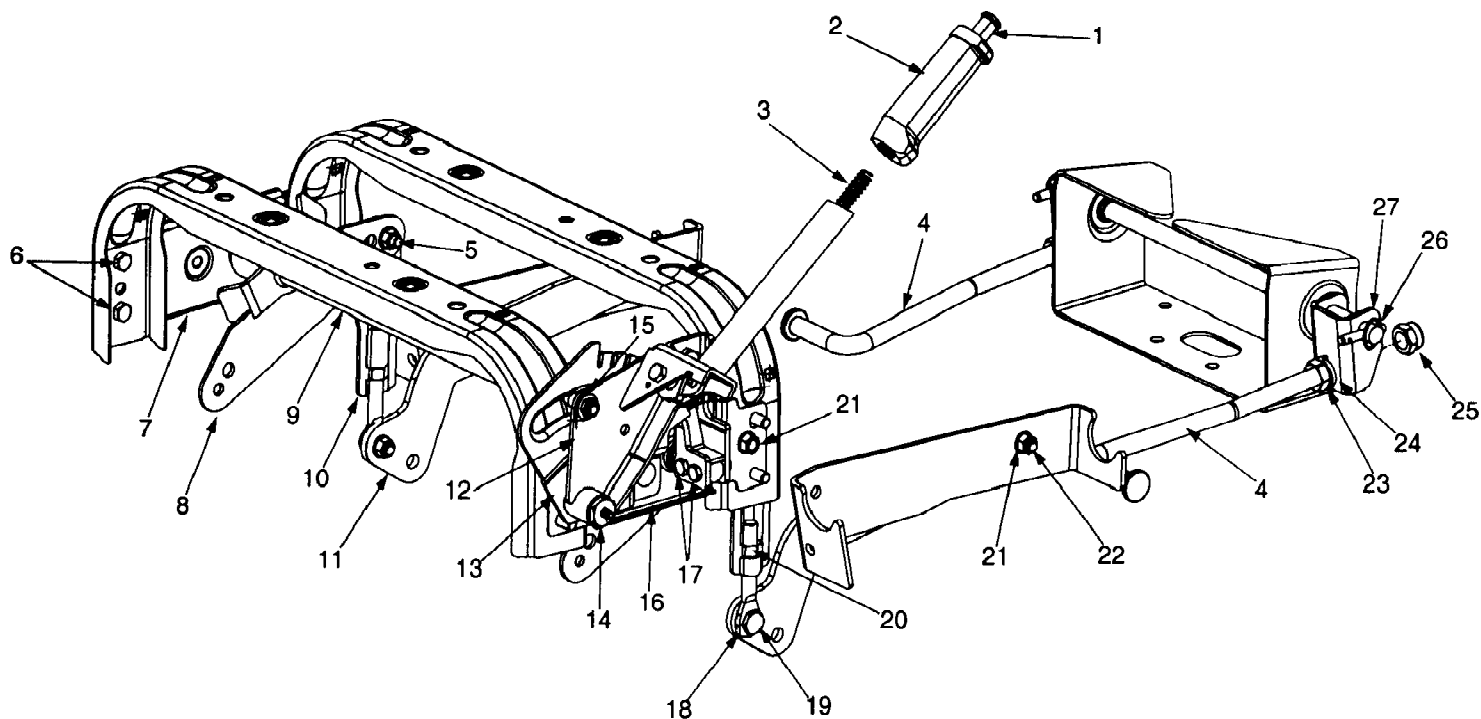


Z-16 (1999)

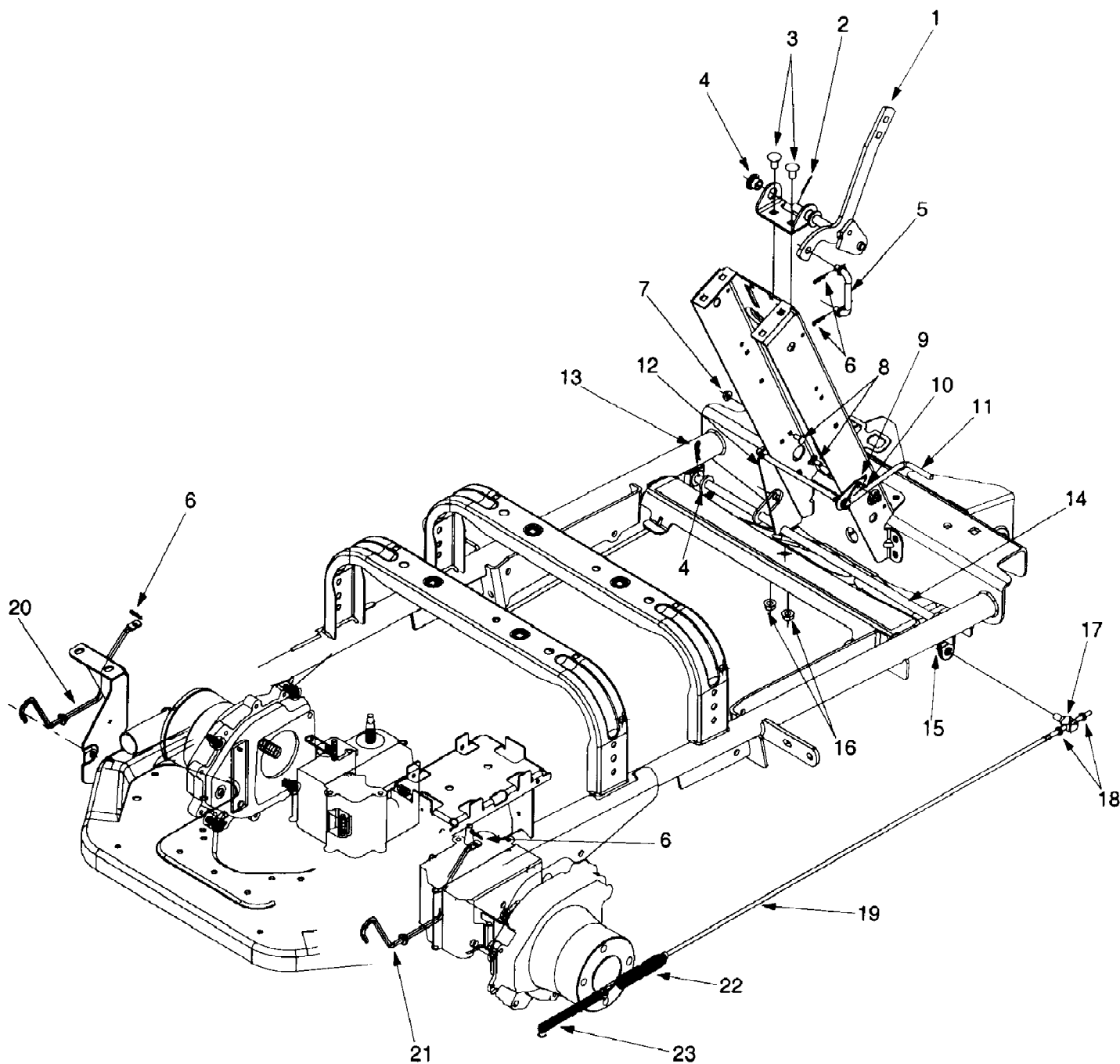
Page 29 of 35

Hydrostatic Transmission

Ref #	Part Number	Qty	S/P/F	Description
	717-3455	1	S	Transmission Ass'y Hydro
1	HG-70304	1		Housing Ass'y Upper
2	HG-50301	1		Lower Housing
3	HG-70299	1	S	Center Section Assembly
4	HG-9008000-0128	1	/P	Lip Seal
5	HG-2003018	1	/P	Spacer
6	HG-2003016	1	/P	Wire Retaining Ring
7	HG-2003052	1	/P	Retaining Ring
8	HG-2003043	1	S	Ball Bearing
9	HG-2003023	1	S	Cradle Bearing
10	HG-2003087	1	/P	Variable Swashplate
11	HG-50551	1	S	Thrust Bearing
12	HG-50303	1		Input Shaft
13	HG-2003017	1	/P	Block Thrust Washer
14	HG-2003014	1	/P	Block Spring
15	HG-70079	1	S	Cylinder Block Assembly
16	HG-70082	1	/P	Cylinder Block Assembly
17	HG-50304	1		Output Shaft (Motor)
18	HG-50552	1	/P	Thrust Bearing
19	741-0361	1	S	Ball Bearing
20	HG-2000022	1	/P	Wire Retaining Ring
21	HG-50329	1	/P	Retaining Ring
22	HG-50649	1		Motor Bearing Retaining
23	HG-2000015	1	/P	Slot Guide
24	HG-2003005	1	/P	Trunnion Arm
25	HG-9008000-0126	1	/P	Lip Seal
26	HG-45007	1	/P	Control Arm
27	712-0237	1	S	Hex Lock Nut 5/16-24
28	HG-50426	1		Short Stud 5/16-24
29	HG-50281	1		Friction Puck
30	HG-2003554	1	S	Bypass Plate
31	HG-2003555	1		Bypass Actuator
32	HG-45074	1	/P	Lip Seal
33	HG-50270	1		Bypass Arm
34	HG-44870	1		Retaining Ring
35	HG-50002	1	/P	Pin
36	HG-50016	1		Screw
37	HG-2000029	1		Charge Relief Spring
38	HG-9001214-2500	1		Ball
39	HG-50578	1	/P	O-Ring
40	HG-50331	1	/P	Gasket
41	HG-44876	1	/P	Self Tapping Screw
42	HG-9005110-8700	1	/P	Drain Plug
43	HG-50273	1	/P	Gerotor Assembly
44	HG-9004101-1340	1	/P	O-Ring
45	HG-50260	1		Gerotor Cover
46	HG-50095	1		Screw
47	HG-50651	1		Relief Plate
48	HG-50653	1	/P	Screw
49	HG-50650	1		Retaining Ring
50	736-0371	1	/P	Washer
51	HG-50018	1		Set Screw



Ref #	Part Number	Qty	S/P/F	Description
1	711-0642A	1	/P	Handle Button
2	731-3158	1		Handle Deck Lift Grip
3	732-3097	1		Compression Spring
4	747-3405	1		Front Lift Rod
5	738-0507B	1	S	Shoulder Screw .500 Dia. x .434
6	710-0216	1	/P	Hex Cap Screw 3/8-16 x .75
7	603-0422	1	S	Shaft Mounting Bracket - LH
8	603-0370	1		Pivot Link Bearing Ass'y
9	603-0313	1	S	Lift Shaft Ass'y
10	703-2621	1		Adjustable Deck Lift Link
11	703-2780	1		Lift Parallel Link
12	603-0327	1		Handle Bearing Ass'y
13	703-2772	1		Deck Height Adjustable Plate
14	738-3150	1		Lift Handle Shoulder Screw
15	712-3020	1	S	Top Lock Jam Nut 3/8-16
16	603-0423	1		Shaft Mounting Bracket - RH
17	710-3083	1	/P	Hex Cap Screw 5/16-18 x 1.375
18	711-0773	1		Eye Bolt Adjustable Link
19	738-0380	1	S	Shoulder Screw 3/8-16
20	712-0206	1	S	Hex Nut 1/2-13
21	712-0431	1	S	Flange Lock Nut 3/8-16
22	738-3151	1		Shoulder Screw 3/8-16 .56 x .27
23	712-3015	1	S	Jam Nut 5/8-11
24	736-0158	1	S	Lock Washer 5/8
25	712-3016	1	/P	Lock Hex Nut 5/8-11
26	711-3266	1	S	Clevis Pin
27	703-3407	1	S	Front Lift Bracket
28	603-0401	1	S	Lift Arm Ass'y
29	738-0183	1	S	Shoulder Screw 3/8-16 .50 x .21
30	603-0257	1	/P	Fork Lift Ass'y
31	710-3011	1	/P	Hex Cap Screw 3/8-16 x 2.25
32	747-3276	1		Lift Link Rod
33	736-0300	1	S	Flat Washer .406 x .875
34	747-3267	1		Handle Arm
35	750-3200	1		Spacer .448 ID x .688 OD
36	712-0290	1	/P	Lock Nut 7/16-14
37	712-3009	1	S	Hex Center L-Nut 5/16-18
38	710-0431	1	/P	Hex Screw 3/8-16 x 1.50
39	737-0280	1	S	Grease Fitting



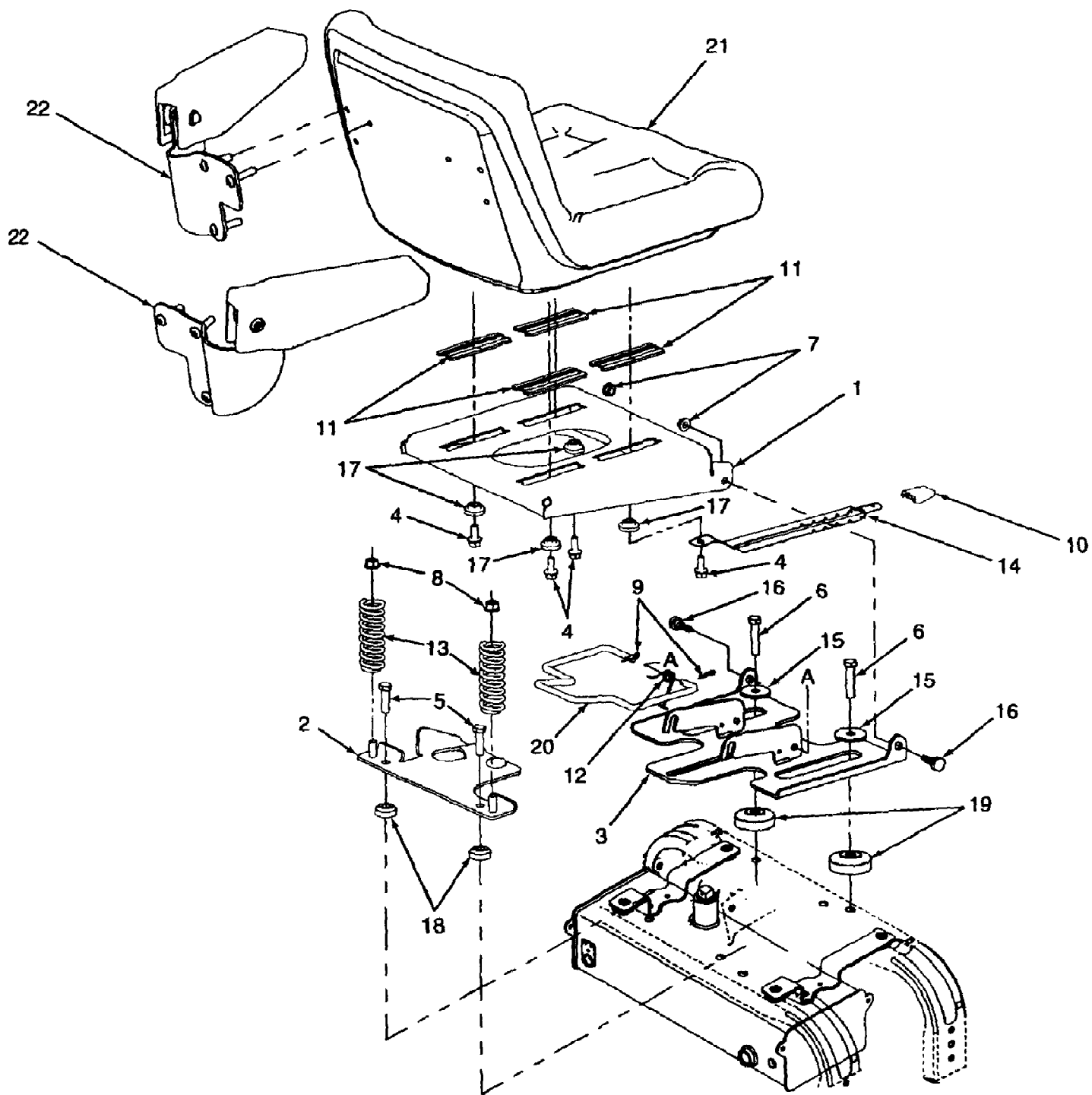


Z-16 (1999)

Page 33 of 35

## Parking Brake And Linkage

Ref #	Part Number	Qty	S/P/F	Description
1	603-0649	1		Parking Brake Shift Ass'y
2	714-3004	1		Cotter Pin
3	710-3178	1	/P	Carriage Bolt 3/8-16 x .75
4	741-0324	1	S	Hex Flange Bearing .506 ID x .590
5	747-3404	1		Connecting Brake Rod
6	714-0104	1	S	Cotter Pin
7	712-3027	1	S	Hex Flange Lock Nut 1/4-20
8	710-0134	1	/P	Carriage Screw 1/4-20 x .62
9	703-2857	1		Retaining Rod Bracket
10	732-0827	1		Torsion Spring 5/16
11	747-3397	1		Parking Brake Retaining Rod
12	703-3405	1		Support Plate
13	714-0101	1	S	Cotter Pin
14	603-0683	1		Brake Rod Ass'y
15	736-0258	1	/P	Flat Washer .385 ID x 1.0 OD
16	712-0431	1	S	Flange Lock Nut 3/8-16
17	711-3357	1	S	Ferrule
18	712-0314	1		Jam Nut 1/4-28
19	747-3266A	1	/P	Bracket Rod
20	747-3363	1		Release Pump Rod LH
21	747-3284	1		Release Pump Rod RH
22	732-0463	1	S	Extension Spring
23	732-0800	1		Extension Spring



Z-16 (1999)  
Seat Assembly

Page 35 of 35

Ref #	Part Number	Qty	S/P/F	Description
1	603-0294	1	S	Seat Base
2	603-0318A	1		Plate, Seat Spring Mtg.
3	603-0470A	1		Bracket, Seat Mounting
4	710-1260	4	S	Screw, Hex Wash Hd Tapp 5/16-18 x .75
5	710-0520	2	/P	Screw, Hex Cap 3/8-16 x 1.5 GR5
6	710-0347	2	/P	Screw, Hex Cap 3/8-16 x 1-3/4 GR5
7	712-3004A	2	/P	Nut, Hex Flange Lock 5/16-18 GR5
8	712-3005	2	S	Nut, Hex Flange Lock 3/8-16 GR5
9	714-0104	2	S	Pin, Internal Cotter
10	720-0190	1	S	Knob, Seat Adjustment
11	731-3154	4		Seat Slide
12	732-0827	1		Spring, Torsion
13	732-3080	2	S	Spring, Compression
14	732-3098	1		Spring, Index
15	736-0227	2	S	Washer, Flat, .390 x 1.5 x .134
16	738-0296	2	S	Bolt, Shoulder .437 x .268:5/16-18
17	738-0372	4	S	Spacer, Shoulder, .38 I.D.
18	738-3156	2		Spacer, Shoulder
19	738-3166	2		Spacer, Seat Pan Shoulder
20	747-3342	1		Rod, Seat Pan Lock
21	957-0375	1	S	Seat Assembly
22	757-3009	1		Seat Arm (Set of Two)