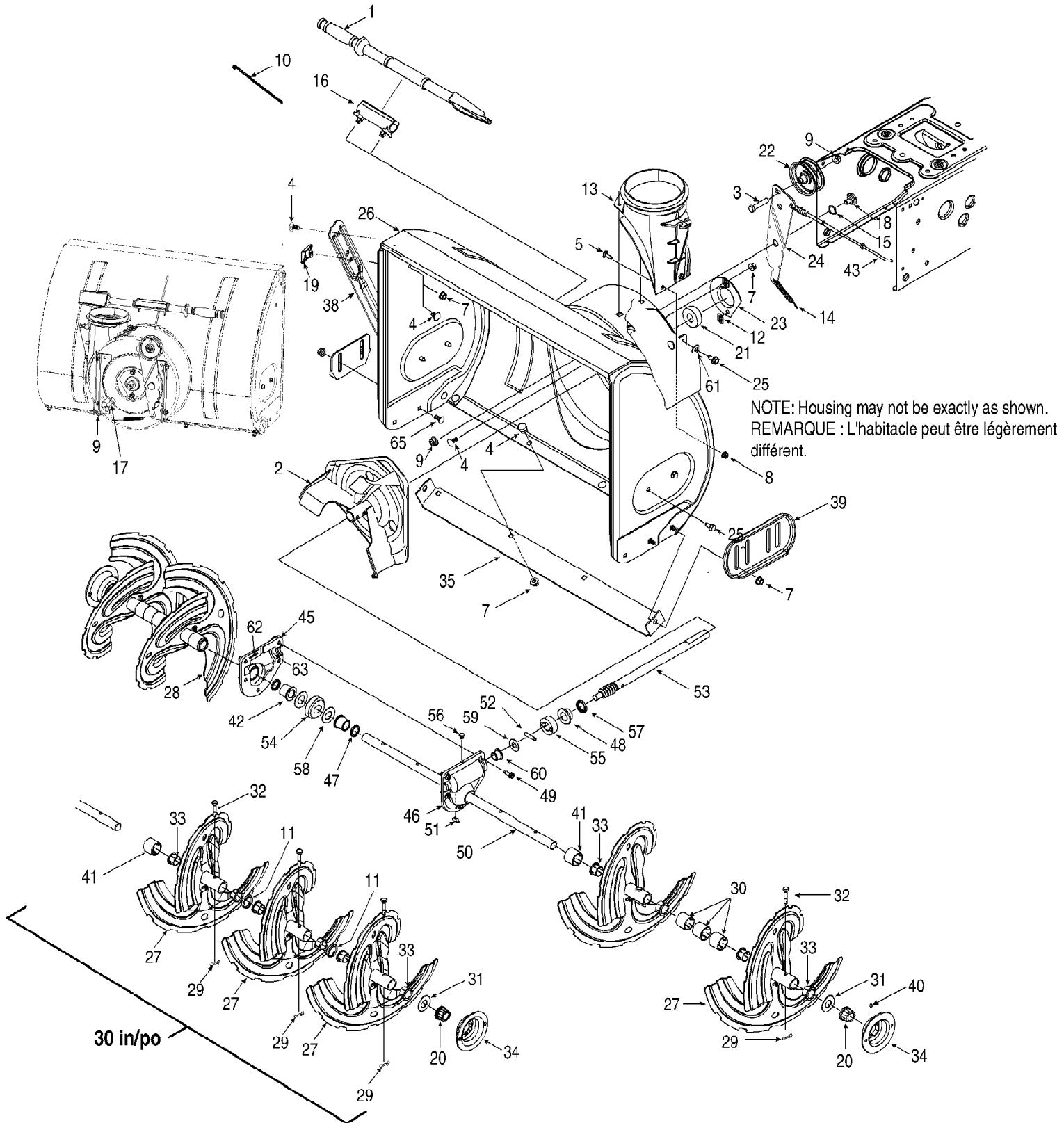


31AM53K2897 (2009)  
Auger & Housing Assembly



31AM53K2897 (2009)  
Auger & Housing Assembly

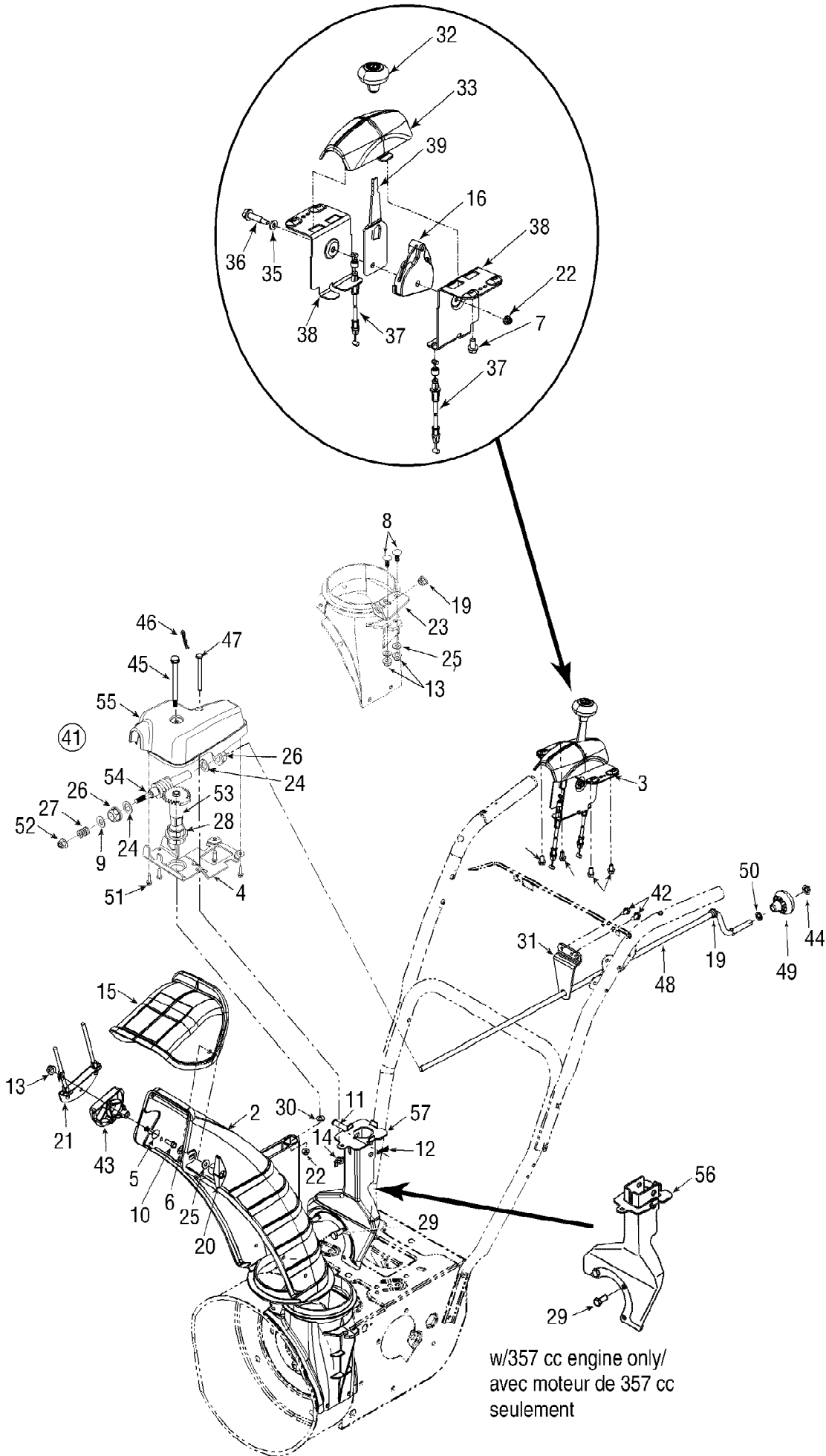
Page 2 of 25

Ref #	Part Number	Qty	S/P/F	Description
1	731-2643	1	S	Clean-Out Tool
2	684-04057A-0637	1	/P	Impeller Ass'y 12 po
3	710-0347	1	/P	Hex Screw 3/8-16 x 1.75
4	710-0451	1	/P	Carriage Bolt 5/16-18 x .75
5	710-0703	1	/P	Carriage Screw 1/4-20 x .75 Gr. 5
7	712-04063	1	/P	Flange Locknut 5/16-18 Gr. F Nylon
8	712-04064	1	/P	Hex L-Flanged Nut 1/4-20 Gr. F Nylon
9	712-04065	1	/P	Hex L-Flanged Nut 3/8-16 Gr. F Nylon
10	725-0157	1	/P	Cable Tie
11	731-04871	1		Spacer 1.25 x .75 x 3/16" Lg.
12	926-04012	1	/P	Push-on Nut .25 dia.
13	731-04705C	1	/P	Chute Adapter (w/one pc chute crank)
14	732-04460	1		Extension Spring .38 OD x 4.59" Lg.
15	736-0174	1	/P	Wave Washer .660 ID x .88 OD x .010
16	731-2635	1		Cleanout Tool Mount
17	738-0143	1	/P	Shld. Scr. .500 Dia. x .335" Lg.
18	938-0281	1	/P	Shoulder Scr .625 Dia x .170
19	720-04072A	1	/P	Hand Knob
20	941-0245	1	/P	Hex. Flange Brg. .751" I.D.
21	941-0309	1	/P	Self-aligning Bearing
22	756-04224	1	/P	Flat Idler Pulley 2.75" OD
23	790-00075	1		Bearing Housing 1.85 ID
24	790-00080A-0637	1	/P	Auger Idler Brake Bracket
25	710-04484	1		Hex TT Screw 3/8-16 x .75
26	684-04265-0606	1		Auger Housing - 24" Models
26	684-04264-0606	1		Auger Housing - 26" Models
26	684-04268-0606	1		Auger Housing - 28" Models
26	684-04267-0606	1		Auger Housing - 30" Models
27	684-04107-0637	1		Spiral Ass'y LH
28	684-04108-0637	1		Spiral Ass'y RH
29	714-04040	1		Bow Tie Cotter Pin
30	731-04870	1		Spacer 1.25 x .75 x 1.00 - 24-28" Models
30	731-04871	1		Spacer 1.25 x .75 x 2.00 - 30" Models
31	736-0188	1	/P	Flat Washer .760 ID x 1.49 OD
32	738-04124A	1	/P	Shear Pin .25 x 1.5 Gr. 2
33	741-0493A	1	/P	Flange Bushing
34	790-00087A-0637	1	/P	Bushing Housing
35	790-00120	1		Shave Plate 24" Models
35	790-00121	1		Shave Plate 26"Models
35	790-00118	1		Shave Plate 28" Models
35	790-00119	1		Shave Plate 30" Models
38	790-00181-0606	1		Drift Cutter - Optional
39	790-00091-0606	1		Reversible Slide Shoe (steel)
40	937-3000	1	/P	Grease Fitting Optional
41	731-04870	1		Spacer 1.25 x .75 x 1.00
42	741-0661A	1	/P	Flange Bearing.75 ID x 1.0 OD x .975
43	746-04230	1		Auger Clutch Cable
45	918-0123A	1	/P	RH Reduced Auger Housing
46	918-0124A	1	/P	LH Reduced Auger Housing
47	921-0338	1	/P	Oil Seal .75 x 1.0 x .125
48	741-0662	1		Flange Bearing .75 ID x 1.00 OD x .50
49	710-0642	1	/P	Thd Forming Scr. 1/4-20 x .75
50	711-04285	1		Auger Adapter 24" Models

31AM53K2897 (2009)  
Auger & Housing Assembly

Page 3 of 25

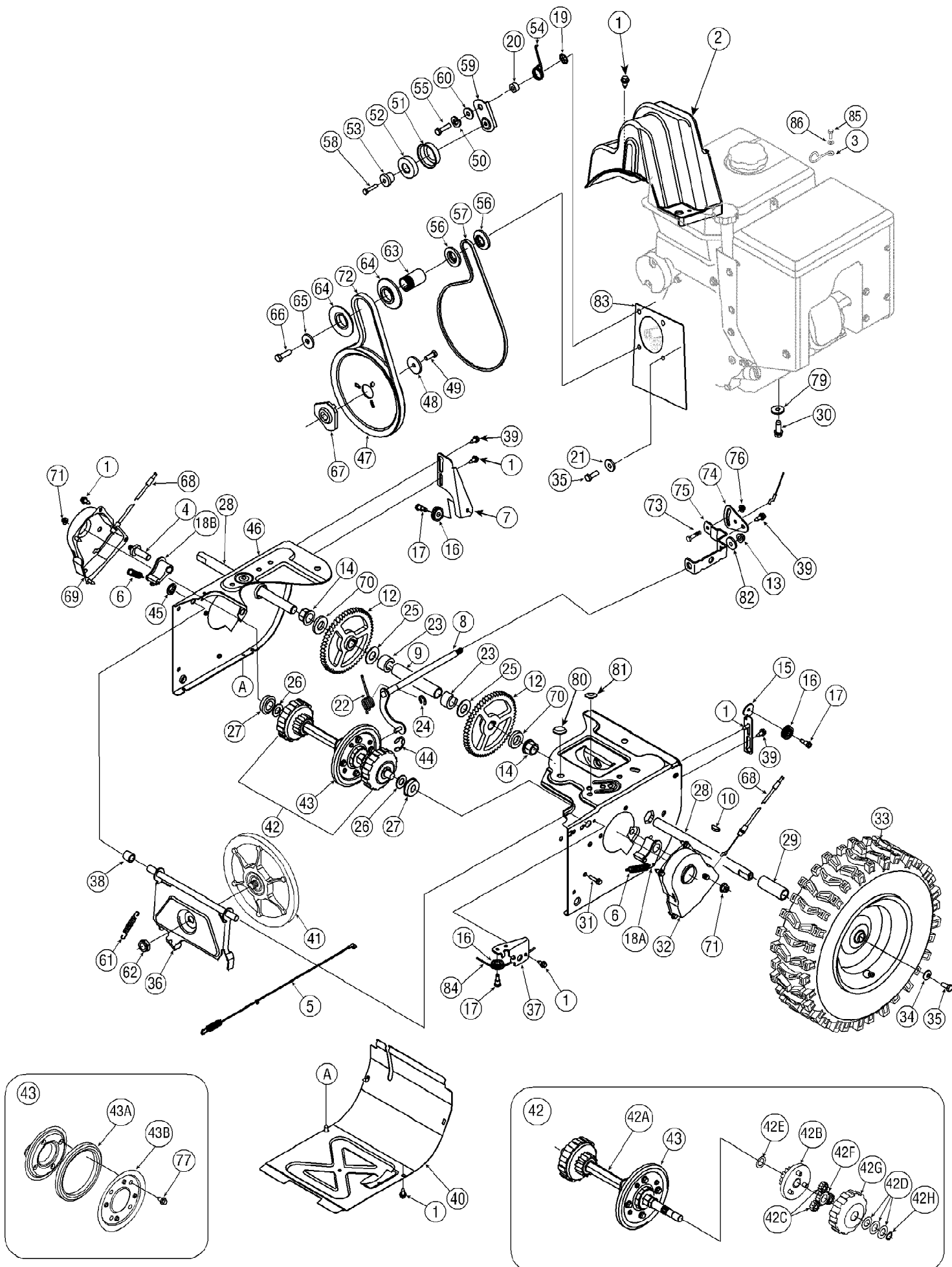
Ref #	Part Number	Qty	S/P/F	Description
50	711-04284	1		Auger Axle 26" Models
50	711-04283	1		Auger Axle 28" Models
50	711-04282	1		Auger Axle 30" Models
51	914-0161	1	/P	Hi Pro Key 3/16 x 5/8
52	715-04021	1		Dowel Pin .25 OD x 1.2
53	917-04126	1	/P	Worm Shaft .75 OD
54	717-04449	1	S	Worm Gear 24"-26" Models
54	917-0528A	1	/P	Worm Gear 28"-30" Models
55	718-04071	1		Thrust Collar
56	721-0325	1		Plug, 1/4 x .437
57	721-0327	1		Oil Seal .75 x 1 x .131
58	936-0351	1	/P	Flat Washer .76 ID x 1.5 OD x .03
59	736-3084	1	/P	Fl. Washer .510 x 1.120 x .060
60	741-0663	1		Flange Bearing .75 ID x 1.0 OD x .925
61	736-0242	1	/P	Cupped Washer .345 ID x .88 OD x .060
62		1		Loctite Sealant 5699 Purchase locally
63	737-0168A	1	/P	Grease - Alvania EP Lead Free
65	710-0451	1	/P	Carriage Bolt 5/16-18 x .75 (w/steel slide shoes)
67	936-0159	1	/P	Flat Washer .349 ID x .879 OD x .063
	618-04171A	1	S	Gear Box Assembly - 24" Models Not Shown
	618-04172A	1	S	Gear Box Assembly - 26" Models Not Shown
	618-04173A	1	S	Gear Box Assembly - 28" Models Not Shown
	618-04165A	1	S	Gear Box Assembly - 30" Models Not Shown



31AM53K2897 (2009)  
Chute Assembly

Page 5 of 25

Ref #	Part Number	Qty	S/P/F	Description
2	731-06440A	1	/P	Tall Lower Chute
3	984-04325	1	/P	2 Way Chute Control Assembly
4	790-00342A-0637	1	/P	Chute Gear Rotation Bracket
5	710-0262	1	/P	Carriage Bolt 5/16-18 x 1.50 Gr. 2
6	710-04071	1		Carriage Screw 5/16-18 x 1.0
7	710-04187	1	/P	Hi-Lo Screw 1/4-15 x .5
8	710-0276	1	/P	Carriage Bolt 5/16-18 x 1.00" Lg
9	736-0267	1	S	Flat Washer .385 x .87 x .06
10	710-0895	1		Hex Tapp Scr 1/4 x .75" Lg.
11	711-04469A	1		Clevis Pin 3/8 x 1.87
12	714-04040	1		Bow Tie Cotter Pin
13	712-04063	1	/P	Flange Locknut 5/16-18 Gr. F Nylon
14	712-3087	1	/P	Wing Nut 1/4-20
15	731-04425B	1		Upper Chute w/Export Label, Remote
19	941-0475	1	/P	plastic Bushing .380 ID
20	720-04072A	1	/P	Handle Knob Assembly
21	784-5594-0637	1	/P	Cable Bracket Chute Tilt
22	712-04064	1	/P	Hex L-Flanged Nut 1/4-20 Gr. F Nylon
23	784-5647-0637	1	/P	Chute Crank Brkt.
24	736-0290	1	/P	Flat Washer .625 x 1.0 x .067
25	936-0159	1	/P	Flat Washer .349 ID x .879 OD x .063
26	941-0225	1	/P	Hex Flg. Bearing
27	732-0193	1	/P	Compression Spring .39 x .60 x .88
28	741-04354	1		Hex Bearing
29	710-0627	1	/P	Hex Hd. Cap Screw 5/16-24 x .75
30	736-04446	1		Flat Washer .25 ID x .63 OD x .0515 HT.
31	790-00341-0637	1		Support Rod Bracket
32	720-04039	1		Knob
33	731-05307	1		Control Cover - 2 Way
35	736-0413	1	/P	Spring Washer .390 x .625 x .012
36	738-04185	1		Flg Shlder Screw .310 x .995: 1/4-20
37	946-04527	1	/P	Cable - w/tall chute
38	790-00200-0637	1		Mounting Bracket - 2 Way
39	790-00210A-0637	1		Lever - 2 Way
41	918-04748	1	/P	Gearbox Assembly
42	710-1652	1	/P	Hex Wash Hd TT Scr. 1/4-20 x .625
43	731-06451	1		Cable Guide
44	926-0100	1	/P	Push Nut 3/8" Rod
45	738-04367	1		Flg. Shoulder Screw .312 x 3.5: 1/4-20
46	914-0101	1	/P	Internal Cotter Pin
47	710-04370	1		Hex. Hd. Cap Scr. 1/4-20 x 3.0 Gr. 5
48	747-05006-0637	1	/P	Chute Crank .375 Dia. x 30.5" Lg.
49	720-04102	1		Knob
50	936-0185	1	/P	Flat Washer .375 x .738 x .063
51	710-04373A	1		Hi-Lo Screw #12-16 x .75
52	712-04065	1	/P	Hex L-Flanged Nut 3/8-16 Gr. F Nylon
53	684-04336A	1	/P	Gear 23 teeth helical w/hub
54	917-04636	1	/P	Worm Shaft
55	731-06618	1		Cover
56	684-04310A-0637	1	/P	Chute Sup. Bkt. Ass'y (w/357 cc engine only)
57	684-04311A-0637	1	/P	Chute Support Bracket Ass'y



31AM53K2897 (2009)  
Drive Assembly

Page 7 of 25

Ref #	Part Number	Qty	S/P/F	Description
1	710-1652	1	/P	Hex Wash Hd TT Scr. 1/4-20 x .625
2	731-06401	1		Belt Cover (w/277 cc - 357 cc engines) 31AH Models
2	731-05353	1		Belt Cover (w/208 cc engine) 31AM Models
3	732-04677	1		Cable Control Wire
4	711-1268B	1		Drive Shaft Actuator
5	746-04229	1		Drive Clutch Cable 44.83" Lg.
6	732-04345	1		Extension Spring .5 OD x 1.71 Lg.
7	790-00207B	1		Guide Bracket - Drive Cable
8	684-04156A	1		Shift Rod Ass'y
9	750-04474	1		Axle Support Tube
10	914-0126	1	/P	#9 HI-Pro Key 3/16 x 3/4 Dia HT
12	917-04210	1	/P	Gear, 56T
13	712-04063	1	/P	Flange Lock-Nut 5/16-18 Gr. F Nylon
14	941-0245	1	/P	Hex. Flange Bearing.751" ID
15	790-00206A-0637	1	/P	Guide Bracket - Auger Cable
16	756-0625	1		Cable Guide Roller
17	738-0924A	1	/P	Hex Shld.Scr.1/4-28 x .375
18A	618-04288	1		Dogg Assembly - LH
18B	618-04287	1		Dogg Assembly - RH
19	926-04012	1	/P	Push Nut
20	750-04477A	1		Spacer .340 x .750 x .360" Lg.
21	748-0234	1	/P	Shoulder Spacer
22	732-04311	1		Torsion Spring .750 ID x .968" Lg.
23	731-05297	1		Spacer
24	916-0104	1	/P	Retaining Ring
25	736-0188	1	/P	Flat Washer .760 ID x 1.49 OD
26	736-0626	1		Flat Washer .580 x 1.125 x .080
27	741-04076	1		Ball Bearing
28	938-04180	1	/P	Axle
29	731-04873	1		Wheel Spacer 1.25 x .75 x 3.00
30	710-0654A	1	/P	Hex Wash HD Tap Scr 3/8-16 x .88
31	710-0788	1	/P	Hex Bolt 1/4-20 x 1.00
32	790-00185-0691	1		Shaft Retainer - LH
33	634-04145-0911	1		Wheel Assembly - LH - 26" Models
33	634-04146-0911	1		Wheel Assembly - RH - 26" Models
33	734-2038-0901	1	/P	Tire - 26" Models Not shown
33	634-04173-0662	1	/P	Rim - 26" Models Not shown
33	634-04136-0911	1		Wheel Assembly - LH - 28" & 30 Models
33	634-04137-0911	1		Wheel Assembly - RH - 28" & 30 Models
33	734-2031	1		Tire - 28" & 30 Models Not shown
33	634-04174-0662	1		Rim - 28" & 30 Models Not shown
33	634-04147A-0911	1		Wheel Assembly - LH - 24" Models
33	634-04148A-0911	1		Wheel Assembly - RH - 24" Models
33	734-04012-0901	1	/P	Tire - 24" Models Not shown
33	634-04172A-0662	1	/P	Rim - 24" Models Not shown
33	734-0255	1	S	Air Valve Not shown
34	736-0242	1	/P	Cupped Washer .345 ID x .88 OD x .060
35	710-1245B	1	/P	Hex L-Bolt 5/16-24 x .875 Gr. 8
36	684-04154-0637	1	S	Friction Wheel Support Brkt Ass'y
37	790-00096-0637	1	/P	Auger Cable Guide Bracket
38	748-0190	1	/P	Spacer .513 ID x 1.0

31AM53K2897 (2009)  
Drive Assembly

Page 8 of 25

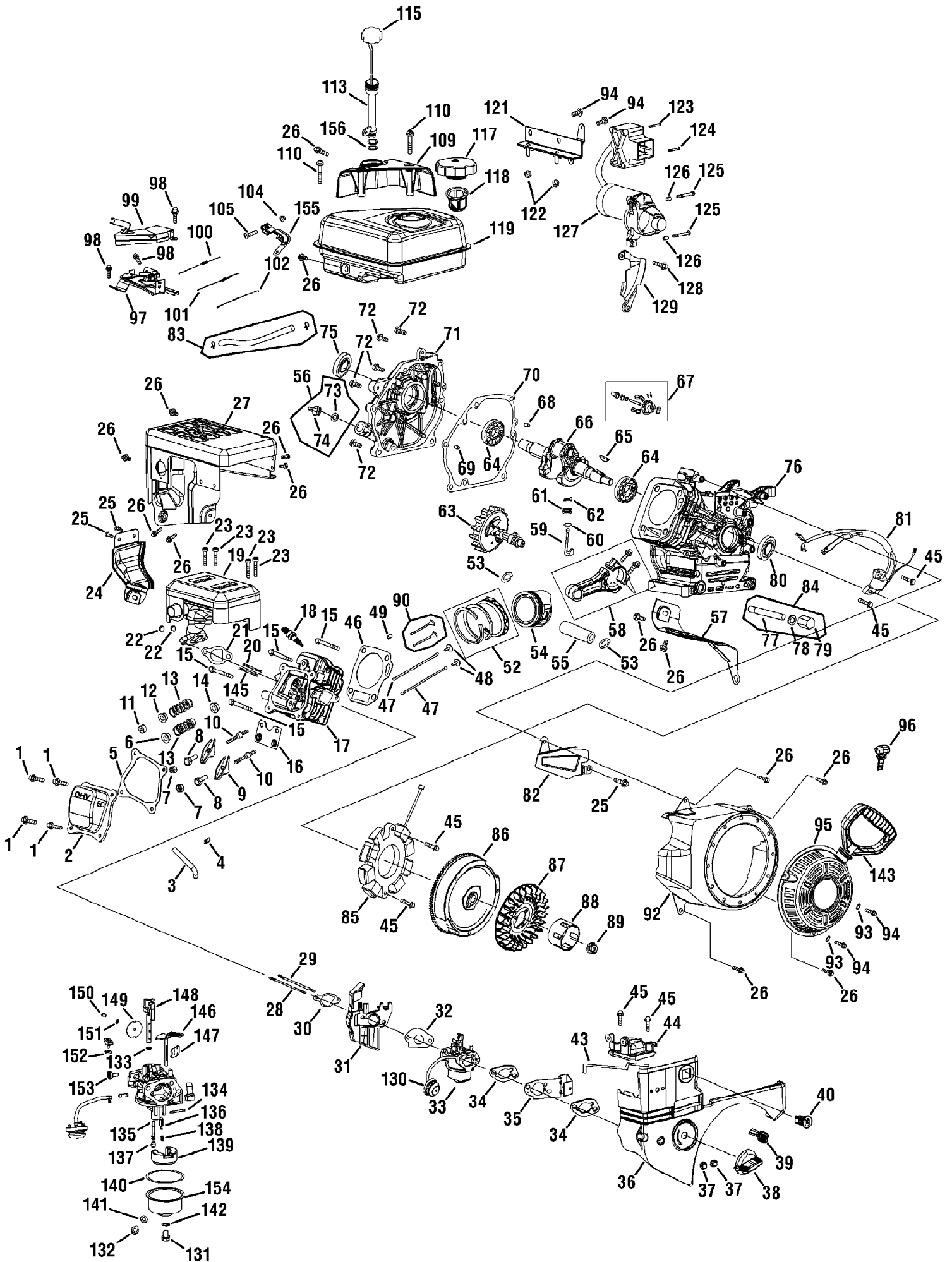
Ref #	Part Number	Qty	S/P/F	Description
39	738-04184A	1		Shoulder Screw .373 x .105:TT 1/4-20
40	790-00316-0606	1		Frame Cover
41	656-04025A	1	/P	Friction Wheel Disc Assembly
42	918-04322A	1	/P	Drive Shaft Assembly (w/o Friction Wheel Ass'y)
42A	711-04416A	1		Hex Drive Shaft (500)
42B	918-04284	1	/P	Planetary Car rier Ass'y
42C	717-1209A	1	/P	Gear 12T
42D	936-0502	1	/P	Flat Washer .58 x 1.12 x .02
42E	936-0336	1	/P	Flat Washer 5/8 ID x 1.0 OD
42F	717-1210A	1	/P	Gear 18T
42G	918-04285	1	/P	Ring Planetary Gear Ass'y (500)
42H	716-0194	1	/P	Retaining Ring 1.56 diam.
43	684-04159	1		Friction Wheel Assembly
43A	935-04054	1	/P	Friction Wheel Rubber
43B	790-00174	1		Friction Plate
44	716-0136	1		Retainer Ring
45	726-0221	1	/P	Cap Speed Nut 1/4 Rod
46	790-00183B-0606	1		Wheel Drive Frame
47	756-04109	1		Auger Pulley
48	736-0505	1		Flat Washer .34 x 1.50 x .150
49	710-1245B	1	/P	Hex Bolt 5/16-24 x 0.875
50	936-0119	1	/P	L-Wash 5/16 ID
51	790-00230	1		Bearing Sleeve
52	941-0919	1	/P	Ball Bearing 20 x 47 x 14:6204:DS
53	750-04571	1		Spacer
54	732-04308A	1	/P	Torsion Spring .850 ID x .354" Lg.
55	710-0672	1	/P	Hex HD. Cap Scr. 5/16-24 x 1.25 Lg.
56	756-04252	1		Pulley Half
57	954-0367	1	/P	Belt 3/8 X 34.4" Lg.(w/208 cc engine) 31AM Models
57	954-04201	1	S	Belt 3/8 X 35.68" Lg.(w/277cc - 357cc engines) 31AH Models
58	710-0809	1		Hex Bolt 1/4-20 x 1.25
59	790-00208C	1	/P	Wheel Drive Idler Bracket
60	748-04112B	1	/P	Shoulder Spacer
61	932-0264	1	/P	Extension Spring 3/8 OD x 2.50
62	712-0417A	1	/P	Jam L-Nut 5/8-18 Gr. 5 Nylon
63	750-04303	1		Spacer .875 ID x 1.185 OD
64	756-04113	1		Pulley Half
65	736-0247	1	/P	Flat Washer .40 ID x 1.25 OD x .160
66	710-0191	1	/P	Hex Screw 3/8-24 x 1.25
67	748-04053A	1	/P	Pulley Adapter
68	946-0956B	1	/P	Steering Cable
69	790-00186-0691	1		Shaft Retainer - RH
70	750-0767	1		Axle Spacer
71	712-04065	1	/P	Flange Lock-Nut 3/8-16 Gr. F Nylon
72	954-04050	1	/P	Belt .5 x 35.0" Lg. (w/208 cc engine) 31AM Models



31AM53K2897 (2009)  
Drive Assembly

Page 9 of 25

Ref #	Part Number	Qty	S/P/F	Description
72	954-04195	1	/P	Belt .5 x 37.0 (w/277cc - 357cc engines) 31AH Models
73	710-0751	1	/P	Hex Bolt 1/4-20 x .62 Gr. 5
74	790-00217A-0637	1	/P	Pivot Bracket
75	790-00218A-0637	1	/P	Shift Bracket
76	712-04064	1	/P	Flange Lock-Nut 1/4-20 Gr. F Nylon
77	710-0896	1	/P	Hex Wash. Hd. TT Scr. 1/4-14 x .625
79	736-0320	1	/P	Flat Washer .38 x 1.38 x .125 (Rear left hole)
80	735-04100	1		Plug 1/2"
81	735-04099	1		Plug 3/8"
82	936-3015	1	/P	Flat Washer .469 x .875 x .105
83	790-00289A-0637	1	/P	Cover Plate (optional)
84	746-04230	1		Auger Clutch Cable 47.23" Lg.
85	710-04022	1		Hex. Hd. Cap Scr. M8-1.25:20 Gr. 8
86	936-0264	1	/P	Flat Washer .330 ID x .630 OD x .0635



31AM53K2897 (2009)  
Engine Assembly 370-SUB

Page 11 of 25

Ref #	Part Number	Qty	S/P/F	Description
1	951-11012	1		Bolt
2	951-11054	1	/P	Valve Cover
2	951-11054	1	/P	Valve Cover Furnish 951-11063, Valve Cover Kit
3	731-07059	1		Breather Hose
4	726-04101	1		Hose Clamp
5	N/A	1		Head Cover Gasket Furnish 951-11060A, Short Block Assembly
5	N/A	1		Head Cover Gasket Furnish 951-10661B, Gasket Kit External
5	N/A	1		Head Cover Gasket Furnish 951-10668A, Cylinder Head Assembly
5	N/A	1		Head Cover Gasket Furnish 951-11059A, Gasket Kit Complete
5	N/A	1		Head Cover Gasket Furnish 951-11063, Valve Cover Kit
6	N/A	1		Intake Valve Spring Seat Furnish 951-10668A, Cylinder Head Assembly
7	751-11124	1		Pivot Locking Nut
7	751-11124	1		Pivot Locking Nut Furnish 951-10668A, Cylinder Head Assembly
8	751-11123	1		Valve Adjusting Nut
8	751-11123	1		Valve Adjusting Nut Furnish 951-10668A, Cylinder Head Assembly
9	N/A	1		Rocker Arm Furnish 951-10668A, Cylinder Head Assembly
10	710-04902	1		Pivot Bolt
10	710-04902	1		Pivot Bolt Furnish 951-10668A, Cylinder Head Assembly
11	N/A	1		Exhaust Valve Adjuster Furnish 951-10668A, Cylinder Head Assembly
12	N/A	1		Exhaust Valve Spring Seat Furnish 951-10668A, Cylinder Head Assembly
13	N/A	1		Valve Spring Furnish 951-10668A, Cylinder Head Assembly
14	N/A	1		Intake Valve Seal Furnish 951-10668A, Cylinder Head Assembly
15	710-04933	1		Bolt
16	N/A	1		Push Rod Guide Plate Furnish 951-10668A, Cylinder Head Assembly
17	N/A	1		Cylinder Head - Complete Furnish 951-10668A, Cylinder Head Assembly
18	951-10292	1	/P	Spark Plug
19	951-11282	1	/P	Muffler Assembly

Ref #	Part Number	Qty	S/P/F	Description
20	710-05001	1		Stud
20	710-05001	1		Stud Furnish 951-10657, Muffler Stud Assembly
21	951-11289	1	/P	Muffler Gasket
21	951-11289	1	/P	Muffler Gasket Furnish 951-11060A, Short Block Assembly
21	951-11289	1	/P	Muffler Gasket Furnish 951-10661B, Gasket Kit External
21	951-11289	1	/P	Muffler Gasket Furnish 951-10668A, Cylinder Head Assembly
21	951-11289	1	/P	Muffler Gasket Furnish 951-11059A, Gasket Kit Complete
22	712-04214	1		Nut
23	710-05002	1		Bolt
24	951-11111	1	/P	Exhaust Pipe Shield
25	710-04940	1		Bolt
26	710-04915	1		Bolt
27	951-10642A	1	/P	Muffler Shroud
28	710-04939	1		Stud, M6 x117
29	710-04910	1		Stud, M6 x 105
30	N/A	1		Carburetor Insulator Gasket Furnish 951-11060A, Short Block Assembly
30	N/A	1		Carburetor Insulator Gasket Furnish 951-10661B, Gasket Kit External
30	N/A	1		Carburetor Insulator Gasket Furnish 951-10668A, Cylinder Head Assembly
30	N/A	1		Carburetor Insulator Gasket Furnish 951-11059A, Gasket Kit Complete
31	N/A	1		Carburetor Insulator Plate Furnish 951-11060A, Short Block Assembly
31	N/A	1		Carburetor Insulator Plate Furnish 951-10661B, Gasket Kit External
31	N/A	1		Carburetor Insulator Plate Furnish 951-10668A, Cylinder Head Assembly
31	N/A	1		Carburetor Insulator Plate Furnish 951-11059A, Gasket Kit Complete
32	N/A	1		Carburetor Gasket Furnish 951-10661B, Gasket Kit External
32	N/A	1		Carburetor Gasket Furnish 951-11059A, Gasket Kit Complete
33	951-10638	1	S	Carburetor Assembly
33	951-10638	1	S	Carburetor Assembly Incl. Ref. No. 130-143, 146-154

31AM53K2897 (2009)  
Engine Assembly 370-SUB

Page 13 of 25

Ref #	Part Number	Qty	S/P/F	Description
34	N/A	1		Carburetor Gasket Plate Furnish 951-10661B, Gasket Kit External
34	N/A	1		Carburetor Gasket Plate Furnish 951-11059A, Gasket Kit Complete
35	951-11112	1	/P	Choke Control Bracket
36	951-10634	1	/P	Engine Shroud
37	712-04213	1	/P	Nut
38	951-11284	1	/P	Choke Knob
39	951-10757	1	/P	Throttle Control Knob
40	951-10637	1	/P	Ignition Switch
43	951-10640	1	/P	Choke Push Rod
44	951-10635	1	/P	Heater Box
45	710-04919	1	/P	Bolt
46	N/A	1		Cylinder Head Gasket Furnish 951-11060A, Short Block Assembly
46	N/A	1		Cylinder Head Gasket Furnish 951-10668A, Cylinder Head Assembly
46	N/A	1		Cylinder Head Gasket Furnish 951-11059A, Gasket Kit Complete
47	951-10648	1	/P	Push Rod Kit (incl. intake and exhaust rod)
48	N/A	1		Tappet Furnish 951-11060A, Short Block Assembly
49	715-04090	1		Dowel Pin
49	715-04090	1		Dowel Pin Furnish 951-11060A, Short Block Assembly
52	N/A	1		Piston Ring Set Furnish 951-11060A, Short Block Assembly
53	N/A	1		Piston Pin Snap Ring Furnish 951-11060A, Short Block Assembly
54	N/A	1		Piston Furnish 951-11060A, Short Block Assembly
55	N/A	1		Piston Pin Furnish 951-11060A, Short Block Assembly
56	951-11283	1	/P	Oil Fill Plug Assembly Incl. Ref. No. 73 & 74
57	951-11113	1	/P	Air Shield
58	N/A	1		Connecting Rod Assembly Furnish 951-11060A, Short Block Assembly
59	951-11356	1	/P	Governor Arm Shaft
59	951-11356	1	/P	Governor Arm Shaft Furnish 951-11060A, Short Block Assembly
60	736-04461	1		Washer
60	736-04461	1		Washer Furnish 951-11060A, Short Block Assembly
60	736-04461	1		Washer Furnish 951-11059A, Gasket Kit Complete

Ref #	Part Number	Qty	S/P/F	Description
61	N/A	1		Governor Seal Furnish 951-11060A, Short Block Assembly
61	N/A	1		Governor Seal Furnish 951-11249, Crankcase Kit
61	N/A	1		Governor Seal Furnish 951-11059A, Gasket Kit Complete
62	714-04078	1		Cotter Pin
62	714-04078	1		Cotter Pin Furnish 951-11060A, Short Block Assembly
62	714-04078	1		Cotter Pin Furnish 951-11059A, Gasket Kit Complete
63	N/A	1		Camshaft Assembly Furnish 951-11060A, Short Block Assembly
64	951-11369	1	/P	Radial Ball Bearing
64	951-11369	1	/P	Radial Ball Bearing Furnish 951-11060A, Short Block Assembly
64	951-11369	1	/P	Radial Ball Bearing Furnish 951-11246, Crankcase Cover Kit
64	951-11369	1	/P	Radial Ball Bearing Furnish 951-11247, Crankshaft Kit
64	951-11369	1	/P	Radial Ball Bearing Furnish 951-11249, Crankcase Kit
65	951-10307	1	/P	Flywheel Key
65	951-10307	1	/P	Flywheel Key Furnish 951-11060A, Short Block Assembly
65	951-10307	1	/P	Flywheel Key Furnish 951-11247, Crankshaft Kit
66	N/A	1		Crankshaft Assembly Furnish 951-11060A, Short Block Assembly
66	N/A	1		Crankshaft Assembly Furnish 951-11247, Crankshaft Kit
67	N/A	1		Governor Gear/Shaft Assembly Furnish 951-11060A, Short Block Assembly
68	715-04092	1		Dowel Pin, 7 x 14
68	715-04092	1		Dowel Pin, 7 x 14 Furnish 951-11060A, Short Block Assembly
69	715-04089	1		Dowel Pin, 9 x 14
69	715-04089	1		Dowel Pin, 9 x 14 Furnish 951-11060A, Short Block Assembly
70	951-11371	1	/P	Crankcase Cover Gasket
70	951-11371	1	/P	Crankcase Cover Gasket Furnish 951-11060A, Short Block Assembly

Ref #	Part Number	Qty	S/P/F	Description
70	951-11371	1	/P	Crankcase Cover Gasket Furnish 951-11246, Crankcase Cover Kit
70	951-11371	1	/P	Crankcase Cover Gasket Furnish 951-11249, Crankcase Kit
70	951-11371	1	/P	Crankcase Cover Gasket Furnish 951-11059A, Gasket Kit Complete
71	N/A	1		Case Cover Furnish 951-11060A, Short Block Assembly
71	N/A	1		Case Cover Furnish 951-11246, Crankcase Cover Kit
72	710-04932	1		Bolt
72	710-04932	1		Bolt Furnish 951-11060A, Short Block Assembly
72	N/A	1		Cover Bolts Furnish 951-11246, Crankcase Cover Kit
73	N/A	1		O-Ring Furnish 951-11283, Oil Fill Plug Assembly
73	N/A	1		O-Ring Furnish 951-11060A, Short Block Assembly
73	N/A	1		O-Ring Furnish 951-11246, Crankcase Cover Kit
74	N/A	1		Oil Fill Plug Furnish 951-11283, Oil Fill Plug Assembly
74	N/A	1		Oil Fill Plug Furnish 951-11060A, Short Block Assembly
74	N/A	1		Oil Fill Plug Furnish 951-11246, Crankcase Cover Kit
75	951-11368	1	/P	Oil Seal
75	951-11368	1	/P	Oil Seal Furnish 951-11060A, Short Block Assembly
75	951-11368	1	/P	Oil Seal Furnish 951-11246, Crankcase Cover Kit
75	951-11368	1	/P	Oil Seal Furnish 951-11247, Crankshaft Kit
75	951-11368	1	/P	Oil Seal Furnish 951-11059A, Gasket Kit Complete
76	N/A	1		Crankcase Furnish 951-11060A, Short Block Assembly
76	N/A	1		Crankcase Furnish 951-11249, Crankcase Kit
77	N/A	1		Oil Drain Pipe Furnish 951-11060A, Short Block Assembly
78	736-04440	1	/P	Washer
78	736-04440	1	/P	Washer Furnish 951-11060A, Short Block Assembly

31AM53K2897 (2009)  
Engine Assembly 370-SUB

Page 16 of 25

Ref #	Part Number	Qty	S/P/F	Description
78	736-04440	1	/P	Washer Furnish 951-10661B, Gasket Kit External
78	736-04440	1	/P	Washer Furnish 951-11059A, Gasket Kit Complete
79	N/A	1		Oil Drain Plug Washer Furnish 951-11060A, Short Block Assembly
80	951-11370	1	/P	Oil Seal
80	951-11370	1	/P	Oil Seal Furnish 951-11060A, Short Block Assembly
80	951-11370	1	/P	Oil Seal Furnish 951-11247, Crankshaft Kit
80	951-11370	1	/P	Oil Seal Furnish 951-11249, Crankcase Kit
80	951-11370	1	/P	Oil Seal Furnish 951-11059A, Gasket Kit Complete
81	951-10646	1	/P	Ignition Coil
82	951-11110	1	/P	Air Flow Shield
83	951-10650	1	/P	Fuel Line Kit (incl. clamps and fuel line)
84	951-10641	1	/P	Oil Drain Assembly, includes 77, 78, 79
85	951-10719	1	/P	Stator
86	951-10805	1	/P	Flywheel
87	951-10909	1	/P	Cooling Fan
88	951-10911	1	/P	Starter Cup
89	712-04209	1	/P	Nut
90	951-10647	1	/P	Valve Kit includes intake and exhaust valve
90	951-10647	1	/P	Valve Kit Furnish 951-10668A, Cylinder Head Assembly
92	951-10663A	1	/P	Blower Housing
93	736-04455	1		Washer
94	710-04914	1		Bolt
95	951-10658	1	/P	Recoil Starter Assembly
96	731-05632	1		Key Ignition Key
97	951-10758	1	/P	Throttle Control Assembly
98	710-04928	1		Bolt
99	951-11108	1	/P	Governor Shield
100	951-10654	1	/P	Governor Spring
101	951-10664	1	/P	Throttle Return Spring
102	951-10665	1	/P	Governor Rod
104	712-04216	1		Nut
105	710-04929	1		Bolt
109	951-10662	1	/P	Engine/Dipstick Cover
110	710-04905	1		Bolt
113	951-10656	1	/P	Dipstick Tube, incl. Ref. 156
115	951-10655	1	/P	Dipstick
117	951-10649	1	/P	Fuel Cap Assembly
118	951-10652	1	/P	Fuel Filter
119	951-10653A	1	/P	Fuel Tank
121	951-11114	1	/P	Switch Housing Mounting Bracket
122	712-04212	1	/P	Nut
123	710-04934	1		Bolt, M4 x 55
124	710-04935	1		Bolt, M4 x 60
125	710-04943	1		Bolt, M4 x 60



31AM53K2897 (2009)  
Engine Assembly 370-SUB

Page 17 of 25

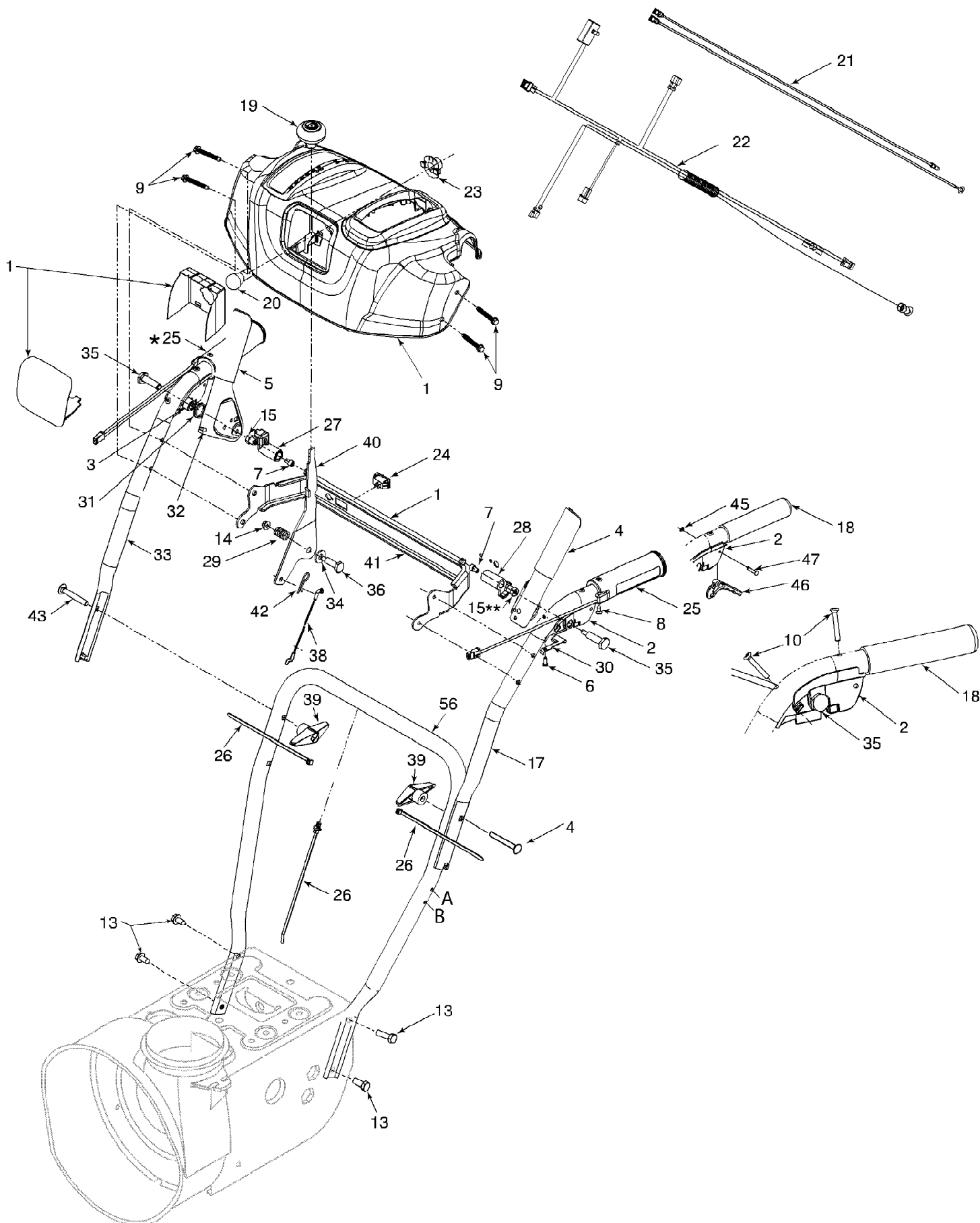
Ref #	Part Number	Qty	S/P/F	Description
126	715-04088	1		Dowel Pin
127	951-10645A	1	/P	Electric Starter
128	710-05003	1		Bolt
129	951-11109	1	/P	Blower Housing Shield
130	951-10639	1	S	Primer
130	951-10639	1	S	Primer Furnish 951-10638, Carburetor Assembly
131	710-04945	1		Bolt
131	710-04945	1		Bolt Furnish 951-10638, Carburetor Assembly
132	710-04938	1	/P	Drain Bolt
132	710-04938	1	/P	Drain Bolt Furnish 951-10638, Carburetor Assembly
133	N/A	1		Gasket, Throttle Plate Furnish 951-10638, Carburetor Assembly
133	N/A	1		Gasket, Throttle Plate Furnish 951-11021, Carburetor Kit Major
134	N/A	1		Float Pin Furnish 951-10638, Carburetor Assembly
134	N/A	1		Float Pin Furnish 951-11021, Carburetor Kit Major
135	N/A	1		Emulsion Tube Furnish 951-10638, Carburetor Assembly
135	N/A	1		Emulsion Tube Furnish 951-11021, Carburetor Kit Major
136	N/A	1		Needle Valve Furnish 951-10638, Carburetor Assembly
136	N/A	1		Needle Valve Furnish 951-11021, Carburetor Kit Major
137	N/A	1		Main Jet Furnish 951-10638, Carburetor Assembly
137	N/A	1		Main Jet Furnish 951-11021, Carburetor Kit Major
138	N/A	1		Needle Valve Spring Furnish 951-10638, Carburetor Assembly
138	N/A	1		Needle Valve Spring Furnish 951-11021, Carburetor Kit Major
139	N/A	1		Float Furnish 951-10638, Carburetor Assembly
139	N/A	1		Float Furnish 951-11021, Carburetor Kit Major
140	N/A	1		Fuel Bowl Gasket Furnish 951-10638, Carburetor Assembly

Ref #	Part Number	Qty	S/P/F	Description
140	N/A	1		Fuel Bowl Gasket Furnish 951-11021, Carburetor Kit Major
141	N/A	1		Fuel Drain Plug Gasket Furnish 951-10638, Carburetor Assembly
141	N/A	1		Fuel Drain Plug Gasket Furnish 951-11021, Carburetor Kit Major
142	N/A	1		Fuel Bowl Gasket Furnish 951-10638, Carburetor Assembly
142	N/A	1		Fuel Bowl Gasket Furnish 951-11021, Carburetor Kit Major
143	731-05696	1		Starter Handle
145	951-10657	1	/P	Muffler Stud Assembly Incl. Ref. No. 20
146	N/A	1		Choke Shaft Furnish 951-10638, Carburetor Assembly
147	N/A	1		Choke Plate Furnish 951-10638, Carburetor Assembly
148	N/A	1		Throttle Shaft Furnish 951-10638, Carburetor Assembly
149	N/A	1		Throttle Plate Furnish 951-10638, Carburetor Assembly
150	N/A	1		Screw, M3x5 Furnish 951-10638, Carburetor Assembly
151	N/A	1		Lock Washer Furnish 951-10638, Carburetor Assembly
152	N/A	1		Idle Jet Assembly Furnish 951-10638, Carburetor Assembly
153	N/A	1		Idle Speed Adjusting Screw Furnish 951-10638, Carburetor Assembly
154	N/A	1		Fuel Bowl Furnish 951-10638, Carburetor Assembly
155	951-11106	1	/P	Governor Arm Bracket
156	951-11380	1	/P	O-Ring
	951-10651	1	/P	Fuel Tank Nipple (Not Shown)
	951-10661B	1	/P	Gasket Kit, External (Not Shown) Incl. Ref. No. 5, 21, 30-32, 34 & 78
	951-10668A	1	/P	Cylinder Head Assembly (Not Shown) Incl. Ref. No. 5-14, 16, 17, 21, 30, 31, 46 & 90
	951-11021	1	/P	Carburetor Repair Kit, Major (Not Shown) Incl. Ref. No. 133-142
	951-11059A	1	/P	Gasket Kit, Complete (Not Shown) Incl. Ref. No. 5, 21, 30-32, 34, 46, 60-62, 70, 75, 78 & 80

31AM53K2897 (2009)  
Engine Assembly 370-SUB

Page 19 of 25

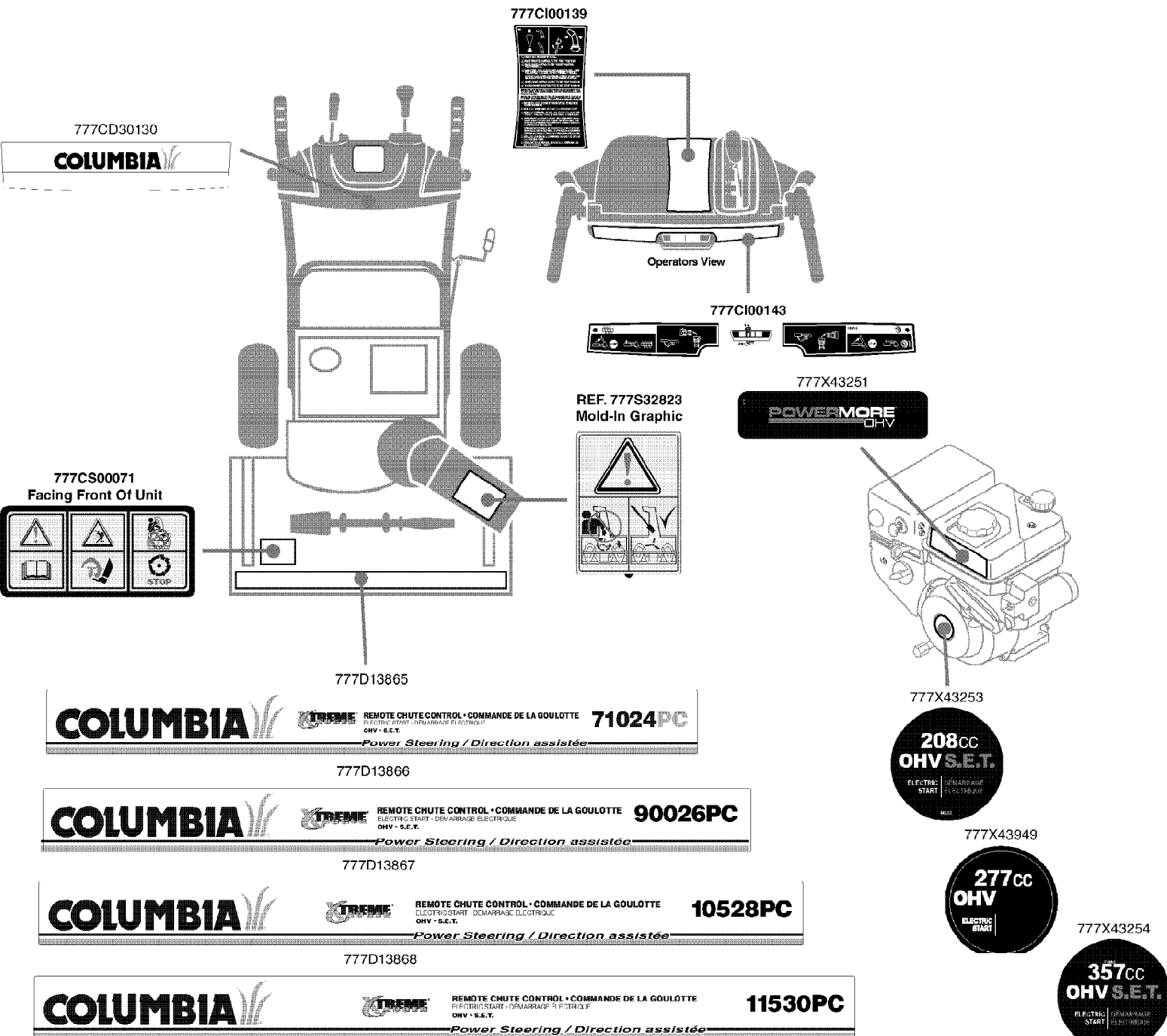
Ref #	Part Number	Qty	S/P/F	Description
	951-11060A	1	/P	Short Block Assembly (Not Shown) Incl. Ref. No. 5, 21, 30, 31, 46, 48, 49, 52-55, 58-80
	951-11063	1	/P	Valve Cover Kit (Not Shown) Incl. Ref. No. 2 & 5
	951-11176	1	/P	Starter Pinion Shaft (Not Shown)
	951-11246	1	/P	Crankcase Cover Kit (Not Shown) Incl. Ref. No. 64, 70-75
	951-11247	1	/P	Crankshaft Kit (Not Shown) Incl. Ref. No. 64-66, 75 & 80
	951-11249	1	/P	Crankcase Kit (Not Shown) Incl. Ref. No. 61, 64, 70, 76 & 80
	952Z370-SUB	1	/P	Engine, Complete (Not Shown)



31AM53K2897 (2009)  
Handle Panel Assembly

Page 21 of 25

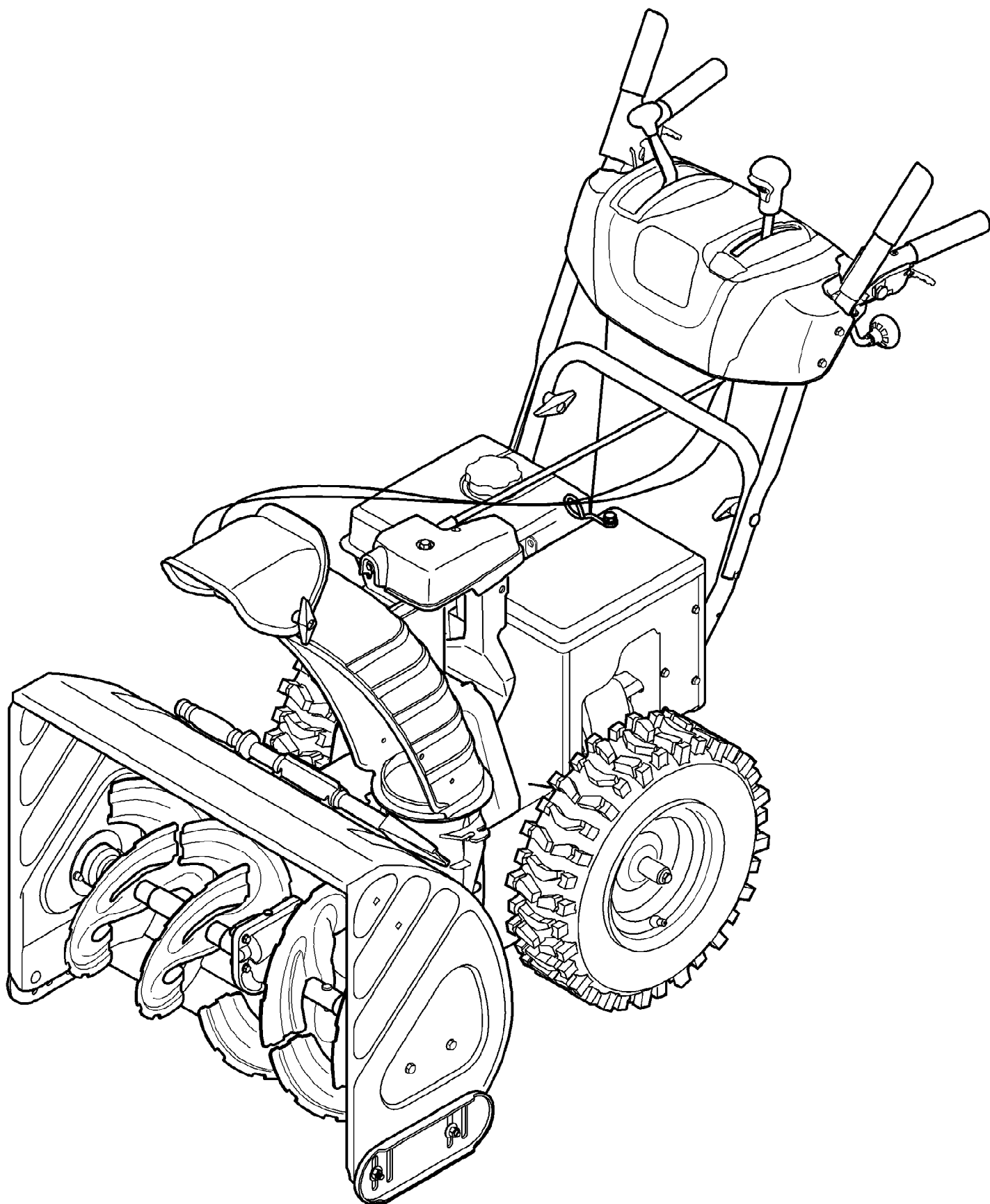
Ref #	Part Number	Qty	S/P/F	Description
1	931-04183	1	/P	Handle Panel Ass'y-Black w/Chute Control
2	631-04133A	1	/P	LH Clutch Lock Handle Ass'y
3	631-04134B	1		RH Clutch Lock Handle Ass'y
4	684-04105B	1	/P	Engagement Handle Assembly LH - Black
5	684-04106B	1	/P	Engagement Handle Assembly RH - Black
6	710-04326	1		Screw #8-16 x .50
7	710-3069	1	/P	Hex Cap Socket Screw 1/4-20 x .5
8	710-0837	1		Oval HD C-Sunk Scr #10 x 5/8
9	710-04586	1		Hex TT-Tap Scr 1/4-20 x 1.625
10	710-1233	1	/P	Oval C-Sunk Hd Screw 10-24 x 1.375
11	684-04250	1	/P	Pivot Rod
13	710-04484	1		Hex TT Screw 3/8-16 x .75
14	712-04064	1	/P	Hex L-Flanged Nut 1/4-20 Gr. F Nylon
15	712-04081A	1		Hex Shoulder Nut 1/4-20
15	712-04064	1	/P	Hex L-Flg Nut 1/4-20 Gr. F Nylon
17	749-04191A-0637	1		Upper Handle LH
18	720-0274	1	/P	Grip
19	720-04039	1		Shift Knob
20	925-04213	1	/P	Lamp #1295 13AH Models
20	725-1629	1		Lamp (208 cc/179 cc MTD engine) 13AM Models
21	725-04314	1		Wire Harness
22	725-04216B	1		Heated Grip Wire Harness
23	925-1649	1	/P	Socket
24	725-04393	1		Switch
25	725-1757	1		Heated Grip
26	926-0154	1	/P	Cable Tie (w/plug)
27	731-04894D	1	/P	Lock Plate
28	731-04896B	1	/P	Clutch Lock Cam
29	732-0193	1	/P	Compression Spring .38 ID x .88 Lg
30	732-04219C	1	/P	Spring: Clutch Lock
31	732-04238	1		Torsion Spring .8156 x .3038
32	935-0199A	1	/P	Rubber Bumper
33	749-04190A-0637	1	/P	Upper Handle RH
34	936-0267	1	/P	Flat Washer .38 ID x .87 OD x .09
35	738-04348	1	/P	Shoulder Screw .437 x 1.345: 1/4-20
36	738-04125	1		Shoulder Screw .374 Dia. x 1.05 Lg.
38	946-04396A	1	/P	Selector Speed Cable
39	720-04072A	1	/P	Handle Knob Assembly
40	790-00311A-0637	1		Shift Lever
41	790-00248B-0637	1	/P	Panel Support
42	914-0145	1	/P	Cotter Pin
43	710-0572	1	/P	Carriage Bolt 5/16-18 x 2.25
44	749-04138A-0637	1		Lower Handle
45	716-04036	1		E Ring
46	731-04913	1		Steering Control
47	738-04126	1		Pin 3/16



31AM53K2897 (2009)  
Label Map

Page 23 of 25

Ref #	Part Number	Qty	S/P/F	Description
777CD30130	777CD30130	1		LABEL-SNOW HANDLE PANEL
777CS00071	777CS00071	1		LABEL-DANGER AUGER
777D13865	777D13865	1		LABEL-SNOW AUGR:COLUM 24"
777D13866	777D13866	1		LABEL-SNOW AUGR:COLUM 26"
777D13867	777D13867	1		LABEL-SNOW AUGR:COLUM 28"
777D13868	777D13868	1		LABEL-SNOW AUGR:COLUM 30"
777X43253	777X43253	1		LABEL-SNOW SHROUD 24"
777X43949	777X43949	1		LABEL-SNOW SHROUD 277CC 26"
777X43254	777X43254	1		LABEL-SNOW SHROUD 357CC 28" & 30"
777X43251	777X43251	1		LABEL-SNOW SHROUD MTD ENGINE
777S32823	N/A	1		Mold In Graphic
777CI00143	777CI00143	1		LABEL-SNOW CONTROL PANEL STYLE 0
777CI00139	777CI00139	1		LABEL-SNOW CONTROL PANEL





Ref #	Part Number	Qty	S/P/F	Description
	951-10292	1	/P	Spark Plug
	731-05632	1		Key
	N/A	1		Extension Cord
	731-2643	1	S	Snow Removal Tool
	746-04229	1		Drive Cable
	746-04230	1		Auger Cable
	946-04527	1	/P	Chute Cable
	946-04396A	1	/P	Speed Cable
	946-0956B	1	/P	Steering Cable
	684-04107-0637	1		Auger Assembly - LH
	684-04108-0637	1		Auger Assembly - RH
	790-00120	1		Shave Plate 24" Models
	790-00121	1		Shave Plate 26" Models
	790-00118	1		Shave Plate 28" Models
	790-00119	1		Shave Plate 30" Models
	684-04057A-0637	1	/P	Impeller Assembly
	790-00091-0606	1		Slide Shoe
	738-04124A	1	/P	Shear Pin
	714-04040	1		Bow Tie Cotter Pin
	925-04213	1	/P	Lamp #1295 - 26"-30" Models
	725-1629	1		Lamp - 24" Models
	954-04050	1	/P	Belt .5 x 35" Lg. - 24" Models
	954-04195	1	/P	Belt .5 x 37" Lg. - 26" & 30" Models
	954-0367	1	/P	Belt 3/8 X 34.4" Lg. - 24" Models
	954-04201	1	S	Belt 3/8 X 35.68" Lg. - 26" & 30" Models
	N/A	1		Spiral Crescent
	N/A	1		Rubber Paddle
	656-04025A	1	/P	Friction Wheel
	634-04147A-0911	1		Wheel Assembly - LH - 24" Models
	634-04148A-0911	1		Wheel Assembly - RH - 24" Models
	634-04145-0911	1		Wheel Assembly - LH - 26" Models
	634-04146-0911	1		Wheel Assembly - RH - 26" Models
	634-04136-0911	1		Wheel Assembly - LH - 28" & 30" Models
	634-04137-0911	1		Wheel Assembly - RH - 28" & 30" Models