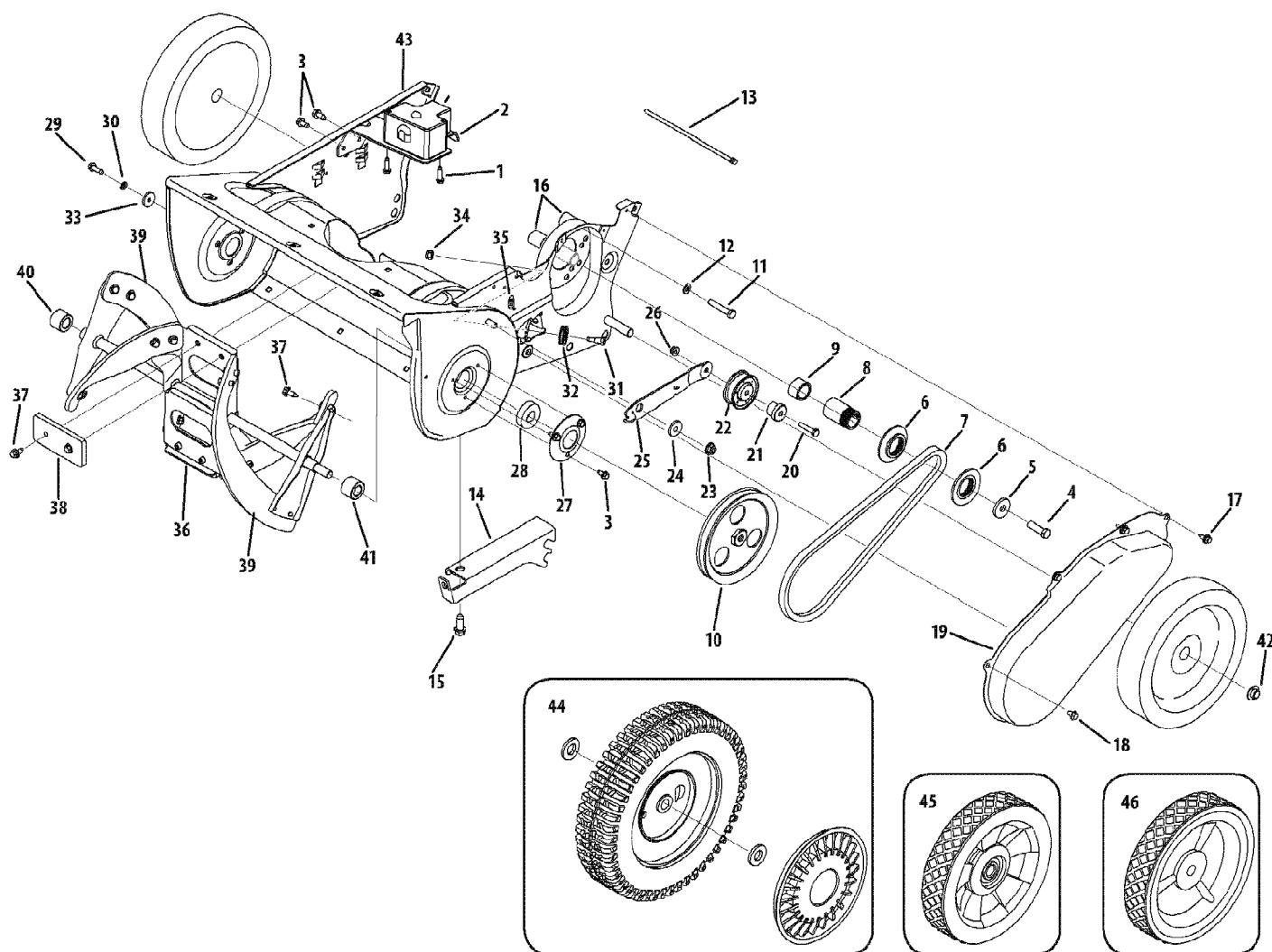


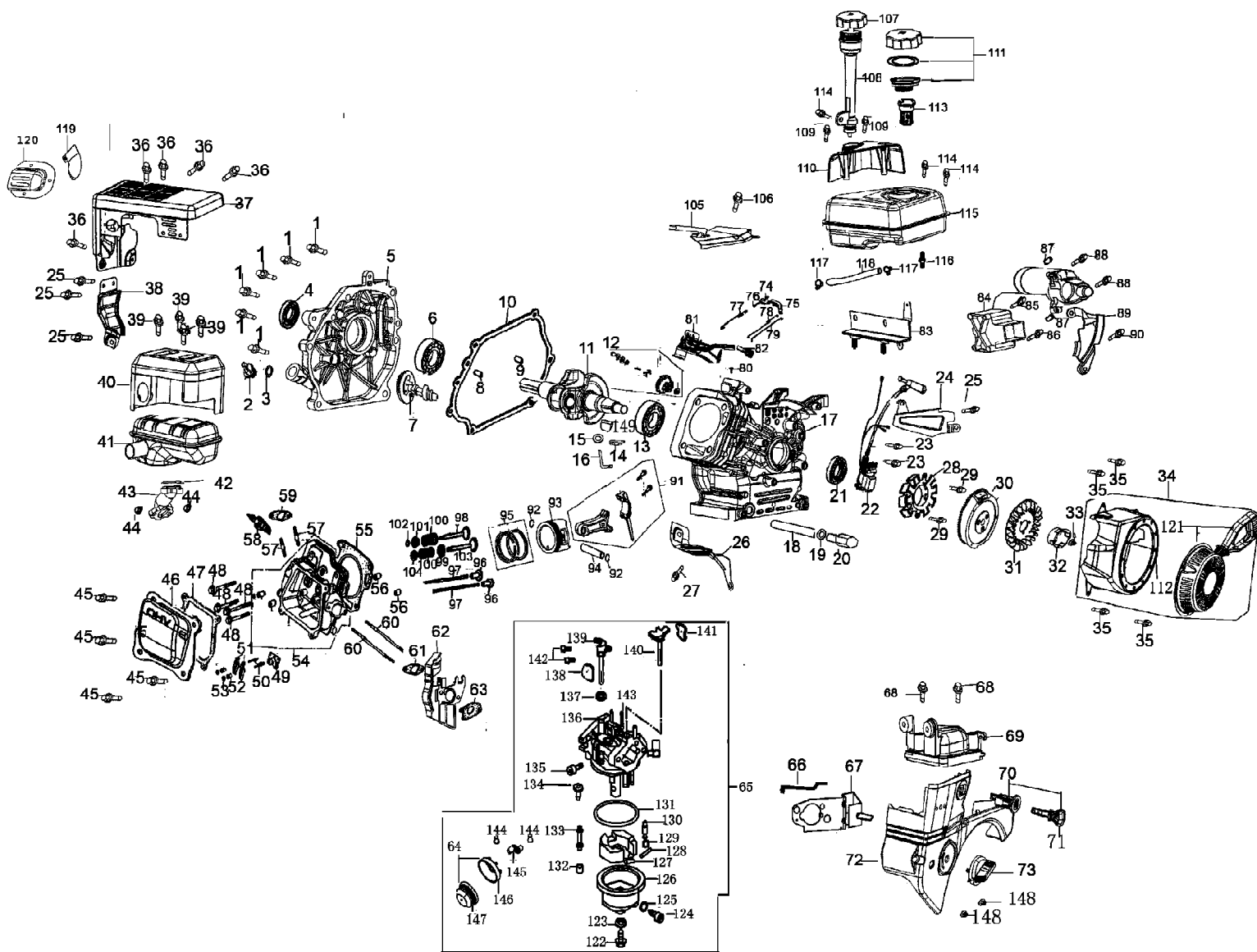
31AM2P5B597 (2008)
Drive Assembly



31AM2P5B597 (2008)
Drive Assembly

Page 2 of 15

Ref #	Part Number	Qty	S/P/F	Description
1	710-04373A	1		Hi-Lo Screw #12-16 x .75
2	790-00335	1	S	Electric Start Support Bracket
3	710-1005	1	S	Hex Tap Scr. 1/4-14 x .5" Lg.
4	710-0879	1	/P	Hex Screw 3/8-24 x 1.25
5	736-0247	1	/P	Flat Washer .406 x 1.25 x .157
6	756-04353A	1		Pulley Half 4L-V x 2.30 OD
7	754-04204	1	S	V-Belt
8	750-04303	1		Spacer .875 ID x 1.185 OD
9	750-05084	1		Spacer .88 ID x 1.18 OD x .74" Lg.
10	756-04232	1		V-Pulley 1/2 x 6,0" OD
11	710-0409	1	/P	Hex Bolt 5/16-24 x 1.75
12	736-0119	1	S	Lockwasher 5/16
13	726-0154	1	S	Push Mount Tie
14	790-00334	1	S	Engine Support Bracket
15	710-0654A	1	/P	Hex Wash HD Tap Scr 3/8-16 x .88
16	750-04297B	1		Spacer .875 x .320 x 1.10
17	710-0896	1	/P	Hex B-Tap Scr 1/4-28 x .25" Lg
18	710-0653	1	/P	Hex Wash HD Tapp Scr 1/4-20 x .375
19	790-00045B	1		Belt Cover
20	710-0106	1	/P	Hex Screw 1/4-20 x 1.25 Gr. 5
21	750-04571	1		Shoul der Spacer
22	684-04168	1		Idler Pulley (1/4" hole)
23	712-04063	1	/P	Flange Locknut 5/16-18 Gr. F, Nylon
24	748-0234	1	/P	Shoulder Spacer .25 Thk.
25	790-00238A	1	S	Idler Bracket
26	712-04064	1	/P	Flange Locknut 1/4-20 Gr. F, Nylon
27	790-00249	1	S	Bearing Cup
28	741-04188A	1		Ball Bearing .625 x 37 x 12.63
29	710-0642	1	/P	Thd Forming Scr. 1/4-20 x .75 Lg.
30	736-0329	1	S	L-Wash 1/4 ID
31	738-0924A	1	/P	Hex Shld.Scr.1/4-28 x .375
32	756-0625	1		Cable Guide Roller
33	736-0176	1	S	Flat Washer .25 ID x .93 OD x .125
34	712-0896	1		Hex Ins Jam L-Nut 1/4-28
35	732-0357A	1	S	Extension Spring .33 OD x 1.12 Lg.
36	684-04253	1	S	Auger Assem bly
37	710-0896	1	/P	Hex B-Tap Scr 1/4-28 x .25" Lg
38	735-04033	1		Rubber Paddle
39	735-04032	1		Rubber Spiral-Crescent
40	750-04758	1		Auger Spacer RH
41	750-04757	1		Auger Spacer LH
42	726-0299	1	/P	Push Cap x 1/2" Rod
43	684-04315	1		Auger Housing
43	684-04314	1		Auger Housing
44	734-2010	1	S	Wheel, 9 x 2.125 dia. Lug
44	731-0981A	1	S	Hub Cap
44	736-0326	1	S	Flat Washer .510 ID x 1.0 OD x .125
45	734-04063	1	/P	Wheel, 7.0 x 1.5
46	734-04070	1	/P	Wheel, 7.0 x 1.61



31AM2P5B597 (2008)
Engine Assembly

Page 4 of 15

Ref #	Part Number	Qty	S/P/F	Description
1		1		Bolt Furnish 751-10724 Short Block Assembly
2		1		Oil Filler Plug Furnish 751-10724 Short Block Assembly
3		1		O-ring Furnish 751-10724 Short Block Assembly
4		1		Oil seal, 25 x 41.25 x 6 Furnish 751-10724 Short Block Assembly
5		1		Crankcase cover Furnish 751-10724 Short Block Assembly
6		1		Radial Ball Bearing Furnish 751-10724 Short Block Assembly
7		1		Camshaft Assembly Furnish 751-10724 Short Block Assembly
8		1		Dowel Pin, 9 x 14 Furnish 751-10724 Short Block Assembly
9		1		Dowel Pin, 7 x 14 Furnish 751-10724 Short Block Assembly
10		1		Crankcase Cover Gasket Furnish 751-10724 Short Block Assembly
10		1		Crankcase Cover Gasket Furnish 751-10723 Gasket Kit - Complete
11		1		Crankshaft Complete Furnish 751-10724 Short Block Assembly
12		1		Governor Kit Furnish 751-10724 Short Block Assembly
13		1		Radial Ball Bearing Furnish 751-10724 Short Block Assembly
14		1		Pin Lock Furnish 751-10724 Short Block Assembly
15		1		O-ring, 5.2 x 1.9 Furnish 751-10724 Short Block Assembly
15		1		O-ring, 5.2 x 1.9 Furnish 751-10723 Gasket Kit - Complete
16		1		Governor Arm Furnish 751-10724 Short Block Assembly
17		1		Crankcase Furnish 751-10724 Short Block Assembly
18		1		Oil-Draining Pipe Furnish 751-10724 Short Block Assembly
18		1		Oil-Draining Pipe Furnish 751-10723 Gasket Kit - Complete

31AM2P5B597 (2008)
Engine Assembly

Page 5 of 15

Ref #	Part Number	Qty	S/P/F	Description
18	751-10641	1	S	Oil Drain Assembly Incl. Ref No. 18-20
19		1		Washer, 10 x 16 x 1.5 Furnish 751-10724 Short Block Assembly
19		1		Washer, 10 x 16 x 1.5 Furnish 751-10723 Gasket Kit - Complete
20		1		Drain Bolt, 10 x 1.25 Furnish 751-10724 Short Block Assembly
20		1		Drain Bolt, 10 x 1.25 Furnish 751-10723 Gasket Kit - Complete
21		1		Oil Seal, 25 x 41.25 x 6 Furnish 751-10724 Short Block Assembly
21		1		Oil Seal, 25 x 41.25 x 6 Furnish 751-10723 Gasket Kit - Complete
22	751-10646	1	S	Ignition Module
28	751-10719	1	S	Stator
30	751-10805	1	S	Flywheel
31	751-10909	1	S	Cooling Fan
32	751-10911	1	S	Starter Cup
37	751-10642A	1	S	Muffler Shroud
40	751-10643	1	S	Muffler Shield
41	751-10644	1	S	Muffler Complete Incl. Ref No. 41 & 43
42		1		Gasket Furnish 751-10723 Gasket Kit - Complete
42	751-10666	1	S	Gasket
47		1		Valve Cover Gasket Furnish 751-10722 Cylinder Head Assembly
47		1		Valve Cover Gasket Furnish 751-10723 Gasket Kit - Complete
47		1		Valve Cover Gasket Furnish 751-10952 Gasket Kit - External
49		1		Plate Push Rod Guide Furnish 751-10722 Cylinder Head Assembly
50		1		Pivot Bolt Furnish 751-10722 Cylinder Head Assembly
51		1		Rocker Arm Furnish 751-10722 Cylinder Head Assembly
52		1		Valve Adjusting Nut Furnish 751-10722 Cylinder Head Assembly
53		1		Pivot Locking Nut Furnish 751-10722 Cylinder Head Assembly
54		1		Cylinder Head Complete Furnish 751-10722 Cylinder Head Assembly
55		1		Cylinder Head Gasket Furnish 751-10724 Short Block Assembly

31AM2P5B597 (2008)
Engine Assembly

Page 6 of 15

Ref #	Part Number	Qty	S/P/F	Description
55		1		Cylinder Head Gasket Furnish 751-10722 Cylinder Head Assembly
55		1		Cylinder Head Gasket Furnish 751-10723 Gasket Kit - Complete
56		1		Dowel Pin, 10 x 16 Furnish 751-10724 Short Block Assembly
57	751-10657	1	S	Muffler Stud Assembly, 8 x 34
58	751-10292	1	S	Spark Plug
59		1		Gasket Muffler Furnish 751-10724 Short Block Assembly
59		1		Gasket Muffler Furnish 751-10722 Cylinder Head Assembly
59		1		Gasket Muffler Furnish 751-10723 Gasket Kit - Complete
59		1		Gasket Muffler Furnish 751-10952 Gasket Kit - External
61		1		Insulator Gasket Carburetor Furnish 751-10724 Short Block Assembly
61		1		Insulator Gasket Carburetor Furnish 751-10723 Gasket Kit - Complete
61		1		Insulator Gasket Carburetor Furnish 751-10952 Gasket Kit - External
62		1		Carburetor Insulator Furnish 751-10724 Short Block Assembly
62		1		Carburetor Insulator Furnish 751-10723 Gasket Kit - Complete
62		1		Carburetor Insulator Furnish 751-10952 Gasket Kit - External
63		1		Carburetor Gasket Furnish 751-10723 Gasket Kit - Complete
63		1		Carburetor Gasket Furnish 751-10952 Gasket Kit - External
65	751-10638	1	S	Carburetor Assembly (370-SUB)
65	951-11021	1	/P	Carburetor Kit Complete rebuild kit, not shown
66	751-10640	1	S	Choke Push Rod
69	751-10635	1	S	Air Filter Heating Pipe Cover
70	751-10637	1	S	Key Switch
71	751-10630	1	S	Key
72	751-10634	1	S	Shroud
73	751-10636	1	S	Choke Knob
77	751-10654	1	S	Spring Governor
78	751-10664	1	S	Spring Throttle Return
79	751-10665	1	S	Rod Governor
81	751-10758	1	S	Throttle Assembly

31AM2P5B597 (2008)
Engine Assembly

Page 7 of 15

Ref #	Part Number	Qty	S/P/F	Description
82	751-10757	1	S	Throttle Control Knob
84	751-10645A	1	S	Electric Starter, 110v
91		1		Connecting Rod Assembly Furnish 751-10724 Short Block Assembly
92		1		Piston Pin Clip Furnish 751-10724 Short Block Assembly
93		1		Piston Furnish 751-10724 Short Block Assembly
94		1		Pin Piston Furnish 751-10724 Short Block Assembly
97		1		Push Rod Furnish 751-10723 Gasket Kit - Complete
97	751-10648	1	S	Push Rod Kit
98		1		Exhaust Valve Furnish 751-10722 Cylinder Head Assembly
98		1		Exhaust Valve Furnish 751-10723 Gasket Kit - Complete
98	751-10647	1	S	Valve Kit Incl. Ref No. 98 & 103
99		1		Valve Seal Furnish 751-10722 Cylinder Head Assembly
100		1		Spring Valve Furnish 751-10722 Cylinder Head Assembly
101		1		Exhaust Valve Spring Retainer Furnish 751-10722 Cylinder Head Assembly
102		1		Exhaust Valve Adjuster Furnish 751-10722 Cylinder Head Assembly
103		1		Intake Valve Furnish 751-10722 Cylinder Head Assembly
103		1		Intake Valve Furnish 751-10723 Gasket Kit - Complete
104		1		Internal Valve Spring Retainer Furnish 751-10722 Cylinder Head Assembly
107	751-10655	1	S	Dipstick
108	751-10656	1	S	Dipstick Base
110	751-10662	1	S	Dipstick Decoration Cover
111	751-10649	1	S	Fuel Tank Cap
112	751-10663A	1	S	Blower Housing
113	751-10652	1	S	Fuel Filter
115	751-10653A	1	S	Fuel Tank
116	751-10651	1	S	Nipple Fuel Tank
117	751-10650	1	S	Fuel Line Kit Incl. Ref No. 117 & 118
121	751-10658	1	S	Recoil Starter Assembly
122		1		Fuel Drain Plug Furnish 751-10638 Carburetor Assembly

31AM2P5B597 (2008)
Engine Assembly

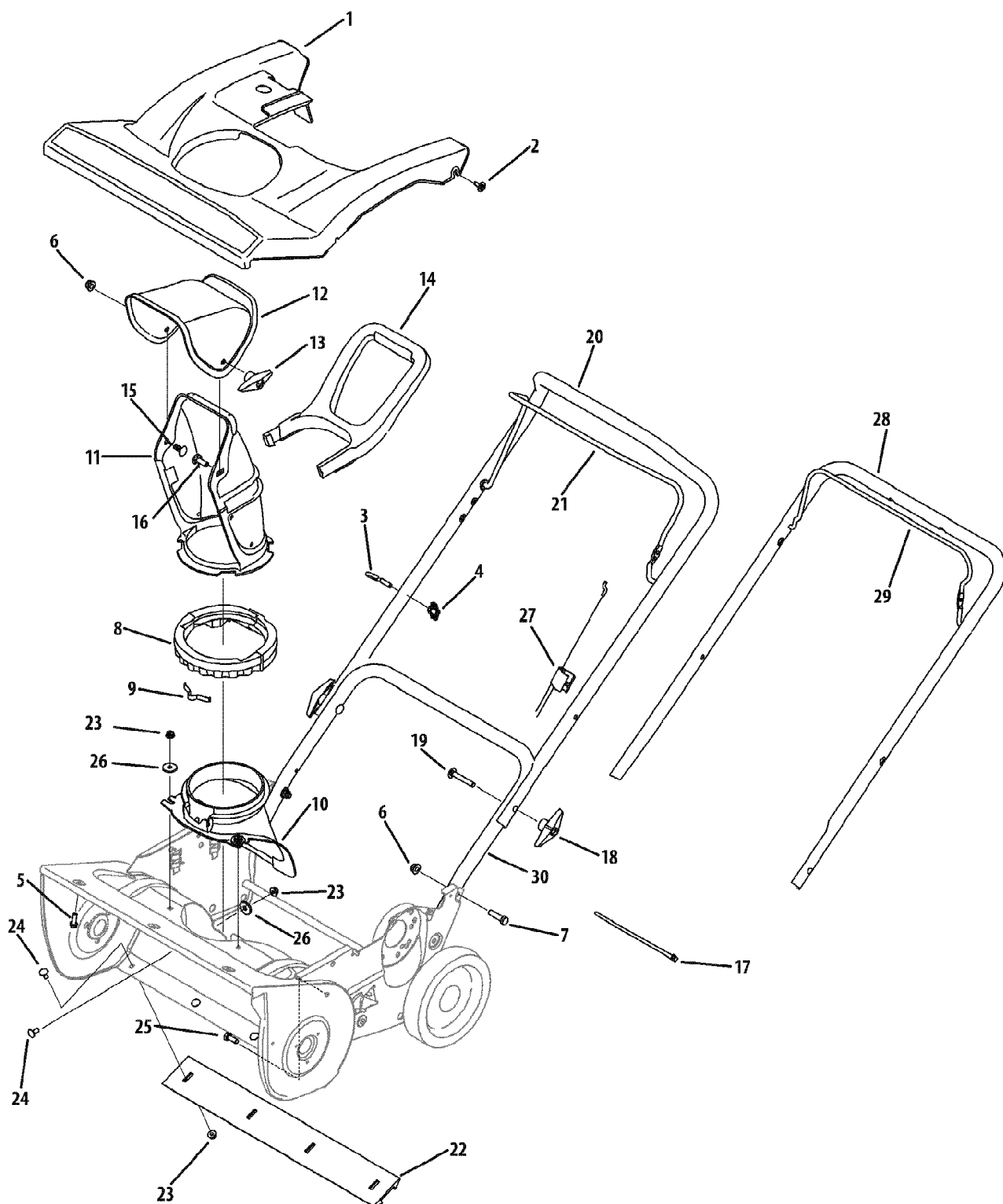
Page 8 of 15

Ref #	Part Number	Qty	S/P/F	Description
123		1		Fuel Cup Fixed Bolt Packing Furnish 751-10638 Carburetor Assembly
124		1		Fuel Drain Plug Furnish 751-10638 Carburetor Assembly
125		1		Fuel Drain Plug Gasket Furnish 751-10638 Carburetor Assembly
126		1		Fuel Cup Furnish 751-10638 Carburetor Assembly
127		1		Float Furnish 751-10638 Carburetor Assembly
128		1		Floating Pin Furnish 751-10638 Carburetor Assembly
129		1		Needle Valve Spring Furnish 751-10638 Carburetor Assembly
130		1		Needle Valve Furnish 751-10638 Carburetor Assembly
131		1		O-ring Packing Furnish 751-10638 Carburetor Assembly
132		1		Main Jet Furnish 751-10638 Carburetor Assembly
133		1		Main Nozzle Furnish 751-10638 Carburetor Assembly
134		1		Idle Jet Assembly Furnish 751-10638 Carburetor Assembly
135		1		Idle Speed Adjusting Screw Furnish 751-10638 Carburetor Assembly
136		1		Carburetor Body Furnish 751-10638 Carburetor Assembly
137		1		Fiber Seal Furnish 751-10638 Carburetor Assembly
138		1		Choke Plate Furnish 751-10638 Carburetor Assembly
139		1		Throttle Shaft Furnish 751-10638 Carburetor Assembly
140		1		Choke Plate Furnish 751-10638 Carburetor Assembly
141		1		Choke Shaft Furnish 751-10638 Carburetor Assembly
142		1		Cross Screw Furnish 751-10638 Carburetor Assembly
143		1		Position Spring Furnish 751-10638 Carburetor Assembly

31AM2P5B597 (2008)
Engine Assembly

Page 9 of 15

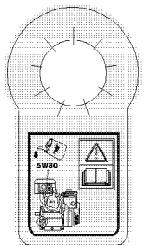
Ref #	Part Number	Qty	S/P/F	Description
144		1		Clip Furnish 751-10638 Carburetor Assembly
145		1		Fuel Hose Furnish 751-10638 Carburetor Assembly
146		1		Primer Base Furnish 751-10638 Carburetor Assembly
147		1		Primer Bulb Furnish 751-10638 Carburetor Assembly
147	751-10639	1	S	Primer
149	751-10307	1	S	Woodruff Key
	751-10724	1	S	Short Block Assembly
	751-10722	1	S	Cylinder Head Assembly
	751-10723	1	S	Gasket Kit - Complete
	751-10952	1	S	Gasket Kit - External
	952Z370-SUB	1	/P	Complete 370-SUA Engine



31AM2P5B597 (2008)
General Assembly

Page 11 of 15

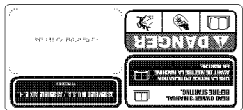
Ref #	Part Number	Qty	S/P/F	Description
1	731-06452	1		Shroud Ass'y (Models w/electric start)
1	731-06458	1		Shroud Ass'y (Models w/o electric start)
2	710-04669	1		Hex Wash B-Tapp Scr #10 x .62" Lg.
3	710-1205	1	/P	Eyebolt 1/4-20
4	720-0279	1	/P	Handle Knob Assembly
5	710-0895	1		Hex Tapp Scr 1/4 x .75" Lg.
6	712-04063	1	/P	Flange Locknut 5/16-18 Gr. F, Nylon
7	710-0528	1	/P	Hex Screw 5/16-18 x 1.25
8	731-04353	1	S	Lower Chute Ring
9	732-04111	1	S	Chute Adjustment Spring
10	731-04886	1	S	Chute Adapter 5" Dia
11	731-04127	1	S	Lower Chute 5" Dia
12	731-04354B	1	/P	Upper Chute
13	720-0284	1	S	Handle Knob Assembly
14	731-04388A	1		Chute Handle
15	710-0451	1	/P	Carriage Bolt 5/16-18 x .75
16	710-04071	1		Carriage Screw 5/16-18 x 1.0
17	725-0157	1	/P	Cable Tie
18	720-0284	1	S	Handle Knob Assembly
19	710-04532	1		Carriage Bolt 5/16-18 x 2.0 Gr. 5
20	749-04106A	1	/P	Gullwing Handle
21	747-04159A	1		Control Bail
22	731-1033	1	/P	Shave Plate
23	712-04064	1	/P	Hex L-Flanged Nut 1/4-20 Gr. F Nylon
24	710-0134	1	/P	Carriage Bolt 1/4-20 x .62
25	710-3008	1	/P	Hex Screw 5/16-18 x .75
26	736-0176	1	S	Flat Washer .25 ID x .93 OD x .125
27	746-04237	1		Control Cable
28	749-04459	1	S	Upper Handle
29	747-04165	1	S	Control Bail
30	749-04459	1	S	Lower Handle



REF. 777X42494
ATTACH TO OIL CAP.



777I23067
PLACE ABOVE ELECTRIC
START BUTTON
FACING OPERATOR.

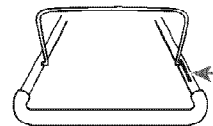


777S33153
FACING OPERATOR.



777S32775
FACING AWAY
FROM OPERATOR.

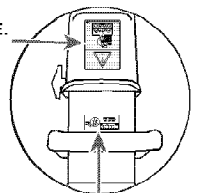
OPERATOR'S VIEW



777I22139
ON HANDLE,
FACING OPERATOR.

CHUTE

MOLDED ON CHUTE.
REF. 777S32823



777I22358
BACK OF CHUTE
FACING OPERATOR.



COLUMBIA

ELECTRIC START - DÉMARRAGE ÉLECTRIQUE
OHV 4-CYCLE - SET 4-TEMPS

65021MS

777D12726

31AM2P5B597 (2008)
Label map

Page 13 of 15

Ref #	Part Number	Qty	S/P/F	Description
777X42494	N/A	1		LABEL-HNG TAG:SNW:OIL FILL
777S33153	777S33153	1		LABEL-SNOW:2N/2P:FRT DNG:CDN
777D12726	777D12726	1		LABEL-SNOW:SHRD:ES:208:2P5B:597
777S32775	777S32775	1		LABEL-SNOW:HSG:MTD 4CYL CVR
777I23067	777I23067	1		LABEL-SNOW:2N/2P:ELTC STRT:CDN
777I22139	777I22139	1		LABEL-SNOW:HANDLE
777S32823	777S32823	1		LABEL-SNOW:CHUTE:EXP
777I22358	777I22358	1		LABEL-SNOW CHUTE



31AM2P5B597 (2008)
Quick Reference

Page 15 of 15

Ref #	Part Number	Qty	S/P/F	Description
	751-10292	1	S	Spark Plug
	751-10630	1	S	Key
	N/A	1		Extension Cord
	N/A	1		Snow Removal Tool
	N/A	1		Drive Cable
	746-04237	1		Auger Cable
	N/A	1		Speed Cable
	N/A	1		Wheel Cable
	984-04253-0637	1	/P	Auger Assembly
	731-1033	1	/P	Shave Plate
	N/A	1		Impeller Assembly
	N/A	1		Slide Shoe
	N/A	1		Shear Pin
	N/A	1		Bow Tie Cotter Pin
	N/A	1		Lamp
	754-04204	1	S	Auger Belt
	N/A	1		Wheel Belt
	735-04032	1		Spiral Crescent
	735-04033	1		Rubber Paddle
	N/A	1		Friction Wheel
	N/A	1		Friction Wheel Rubber
	734-04063	1	/P	Wheel - LH
	734-04063	1	/P	Wheel - RH
	753-04472	1		Rubber Auger Replacement Service Kit Contains Spiral Crescents, Rubber Paddle & Screws