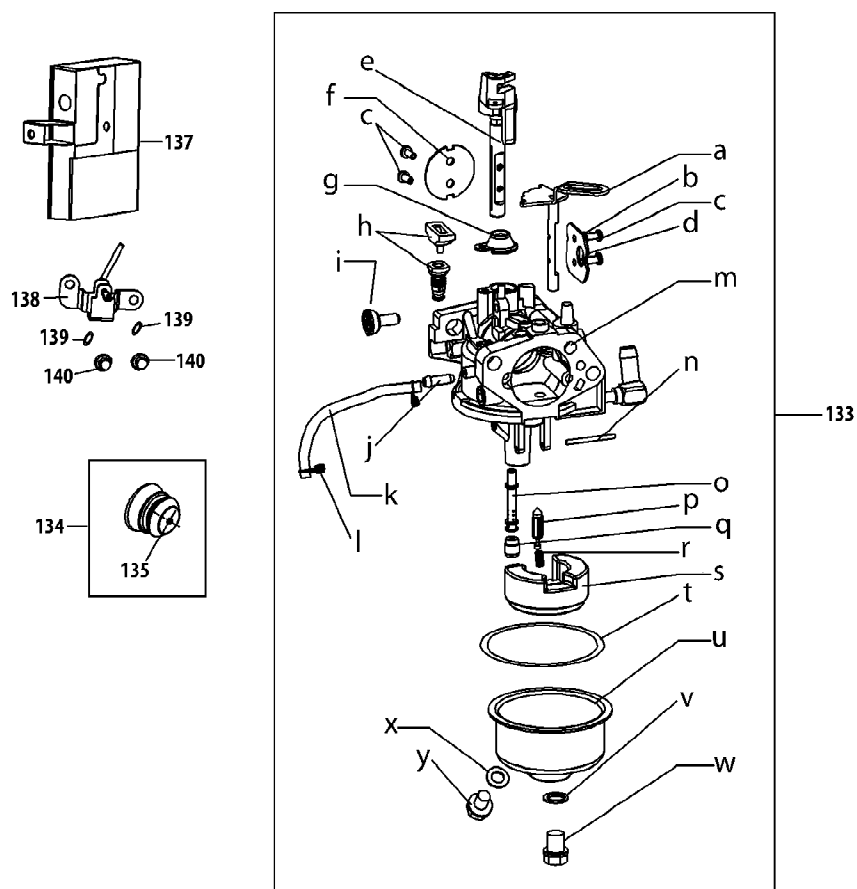


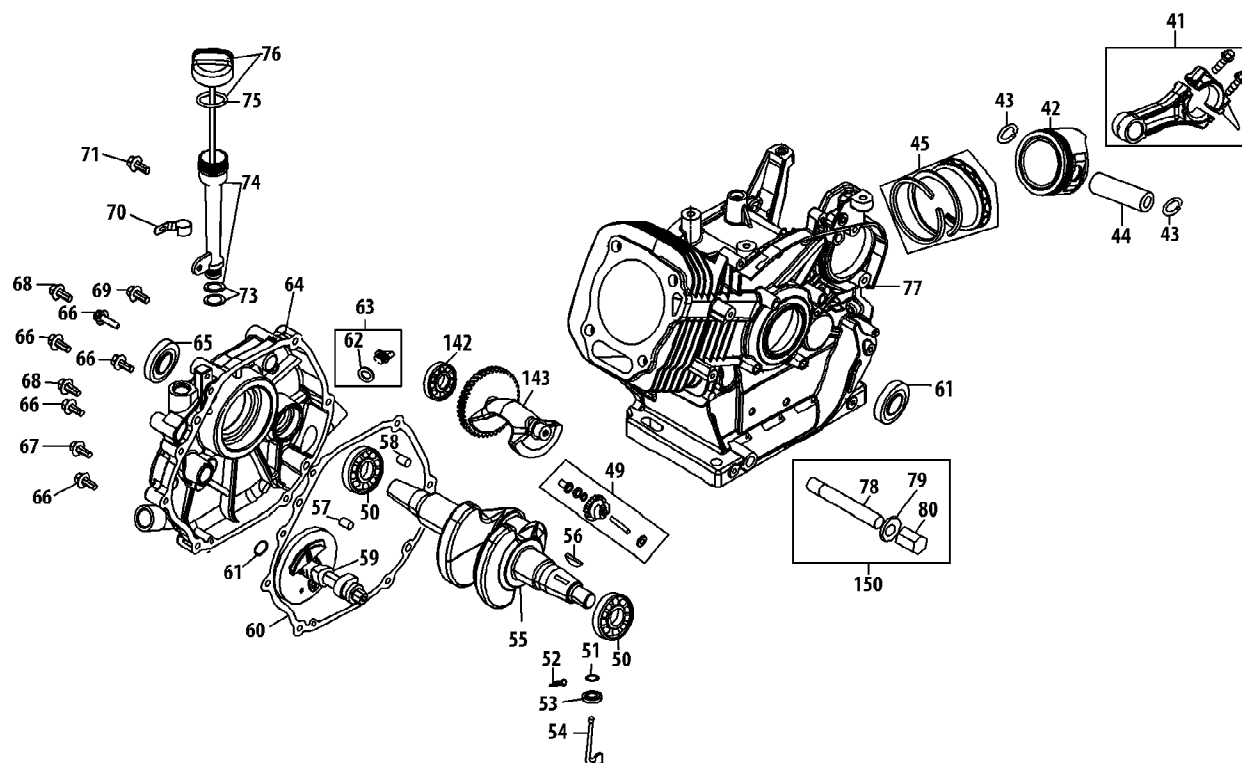
31AH9575897 (2010)
483-SU-10 Carburetor



31AH9575897 (2010)
483-SU-10 Carburetor

Page 2 of 24

Ref #	Part Number	Qty	S/P/F	Description
133	951-11303A	1	/P	Carburetor Ass'y
134	951-10639A	1	/P	Primer Ass'y
135	951-11824	1	/P	Primer Bulb
137	951-11304	1	/P	Heater Box
138	951-11192	1	/P	Choke Control
139	736-04477	1		Lock Washer
a		1		Choke Shaft
b		4		Lock Washer
c		5		Screw M3x5
d		1		Choke Plate
e		1		Throttle Shaft
f		1		Throttle Plate
g		1		Lock Plate
h		1		Idle Jet Assembly
i		1		Idle Speed Adjusting Screw
j		1		Mixture Screw
k	751-11991	1		Primer Hose
l		2		Hose Clamp
m		1		Carburetor Body
n		1		Float Pin
o		1		Emulsion Tube
p		1		Needle Valve
q		1		Main Jet
r		1		Needle Valve Spring
s		1		Float
t	951-11970	1	/P	Fuel Bowl Gasket
u		1		Fuel Bowl
v	951-11348	1	/P	Fuel Bowl Gasket
w	710-04945	1		Fuel Bowl Mounting Bolt
x	951-11349	1	/P	Fuel Drain Plug Gasket
y	710-04903	1	S	Fuel Drain Plug
	951-10651	1	/P	Fuel Tank Nipple
	951-11332	1	/P	Carburetor Repair Kit - Major (Incl Ref g,n,o,p,r,s,t,v,x)

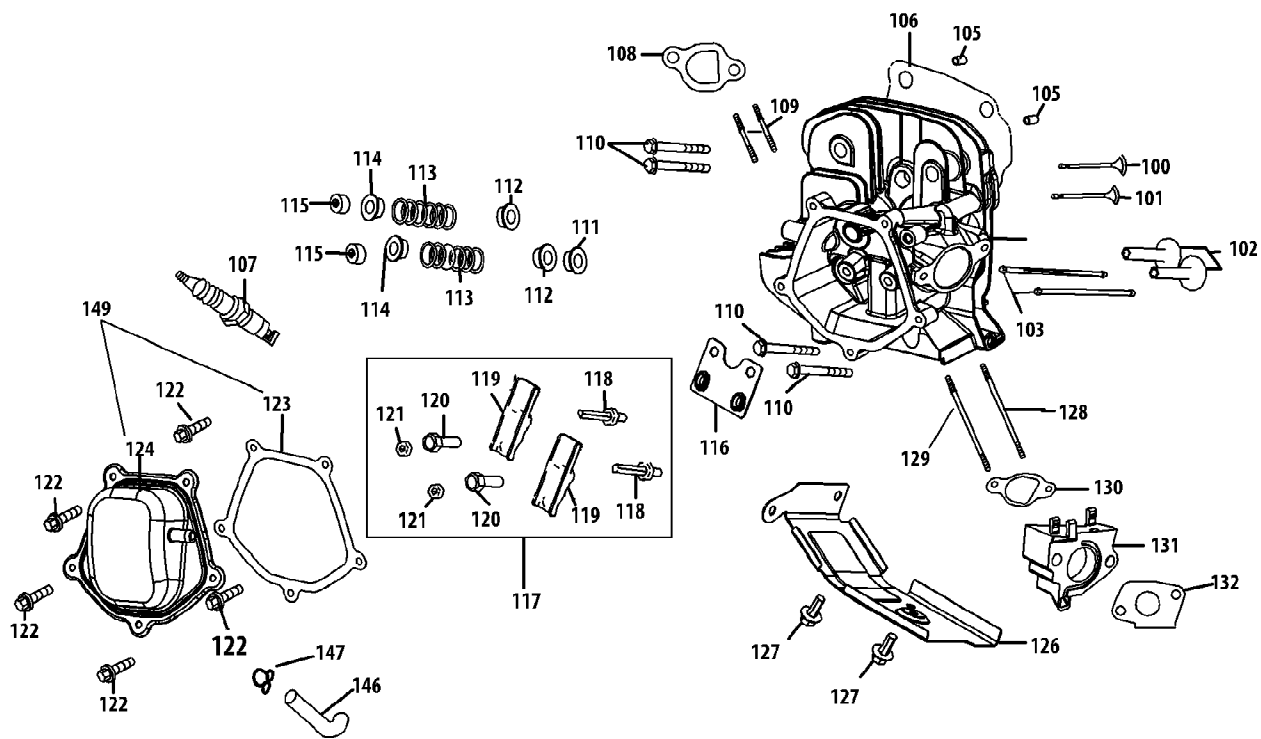


31AH9575897 (2010)
483-SU-10 Crankcase

Page 4 of 24

Ref #	Part Number	Qty	S/P/F	Description
41	951-11951	1	/P	Connecting Rod Ass'y
42	951-11952	1	/P	Piston
43	951-11953	1	/P	Piston Pin Snap Ring
44	951-11954	1	/P	Piston Pin
45	951-11955	1	/P	Piston Ring Set
49	951-11956	1	/P	Governor Gear/Shaft Ass'y
50	951-11957	1	S	Radial Ball Bearing
51	736-04453	1		Washer
52	714-04077	1		Cotter Pin
53	951-11958	1	/P	Governor Seal
54	951-11365	1	/P	Governor Arm Shaft
55	951-11342	1	/P	Crankshaft Kit (Incl Ref No. 50,55,56,65,81)
56	951-10307	1	/P	Woodruff Key
57	715-04102	1		Dowel Pin, 9 x 12
58	715-04092	1		Dowel Pin, 7 x 14
59	951-11959	1	/P	Camshaft Ass'y
59	951-11959	1	/P	Camshaft Ass'y
60	951-11376	1	/P	Crankcase Cover Gasket
61	736-04476	1		Washer
62	951-11960	1	/P	Ring
63	951-11345	1	/P	Oil Filler Plug Ass'y
64	951-11340	1	/P	Crankcase Cover Kit (Incl Ref No. 50,60,61,64-68)
65	951-11375	1	/P	Oil Seal
66	710-04971	1		Bolt, M8 x 38
67	710-04972	1		Bolt, M8 x 45
68	710-05052	1		Bolt, M8 x 35
70	951-11320	1	/P	Dipstick Clamp
71	710-04966	1		Bolt, M6 x 8
73	951-11903	1	/P	Fill Tube O-Ring
73	951-11903	1	/P	Oil Fill Tube O-Ring
74	951-11972	1	/P	Oil Fill Tube Assembly
75	951-11904	1	/P	Dipstick O-Ring
75	951-11904	1	/P	Dipstick O-Ring
76	951-11971	1		Dipstick Ass'y
77	951-11341A	1	/P	Crankcase Kit (Incl Ref No. 50,53,77,81)
78	951-11350	1	/P	Oil Drain Pipe Ass'y
79	736-04440	1	/P	Oil Drain Washer
80	710-04906	1		Drain Plug
81	951-11499	1	/P	Oil Seal
150	951-10641	1	/P	Oil Drain Ass'y
	951-11330A	1	/P	Gasket Kit - Complete (Incl Ref No. 53,60,65,79,81,106,108,123,130-132)
	951-11328A	1	/P	Short Block Ass'y (Incl Ref No. 41-45,49-61,63-68,77-79,81,102,105,106,108,141, 142)
	952Z483-SU-10	1	/P	Replacement Engine

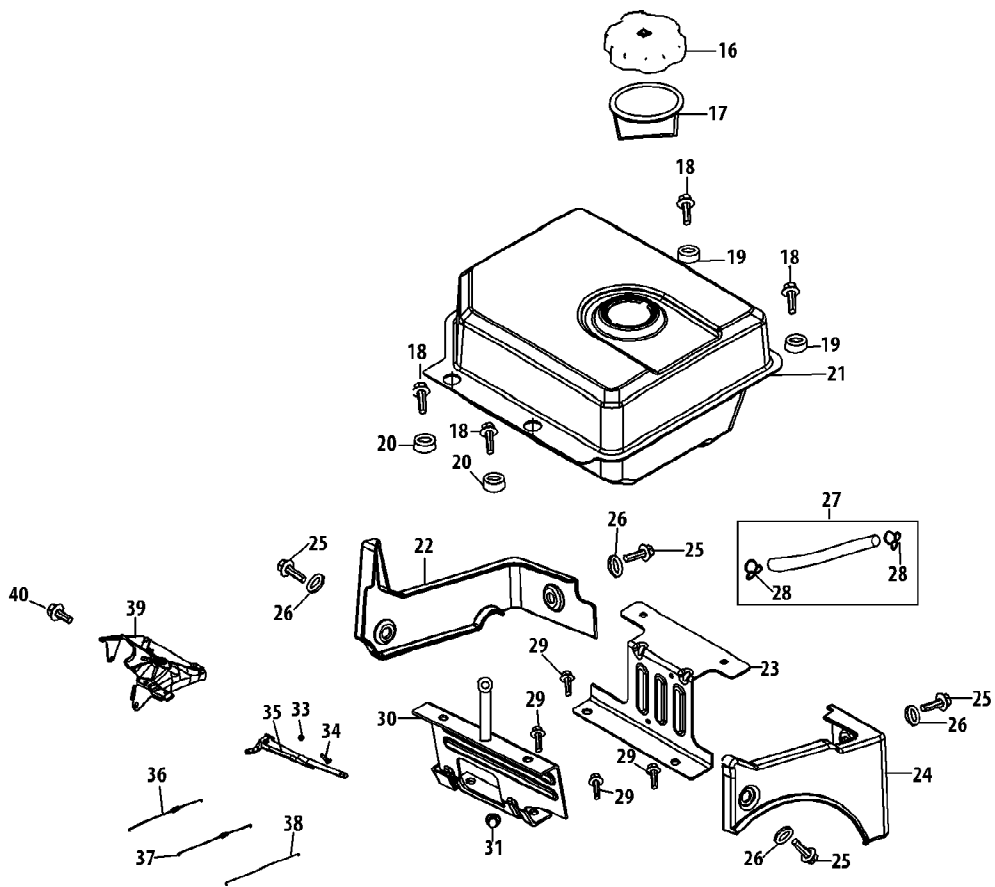
31AH9575897 (2010)
483-SU-10 Cylinder Head



31AH9575897 (2010)
483-SU-10 Cylinder Head

Page 6 of 24

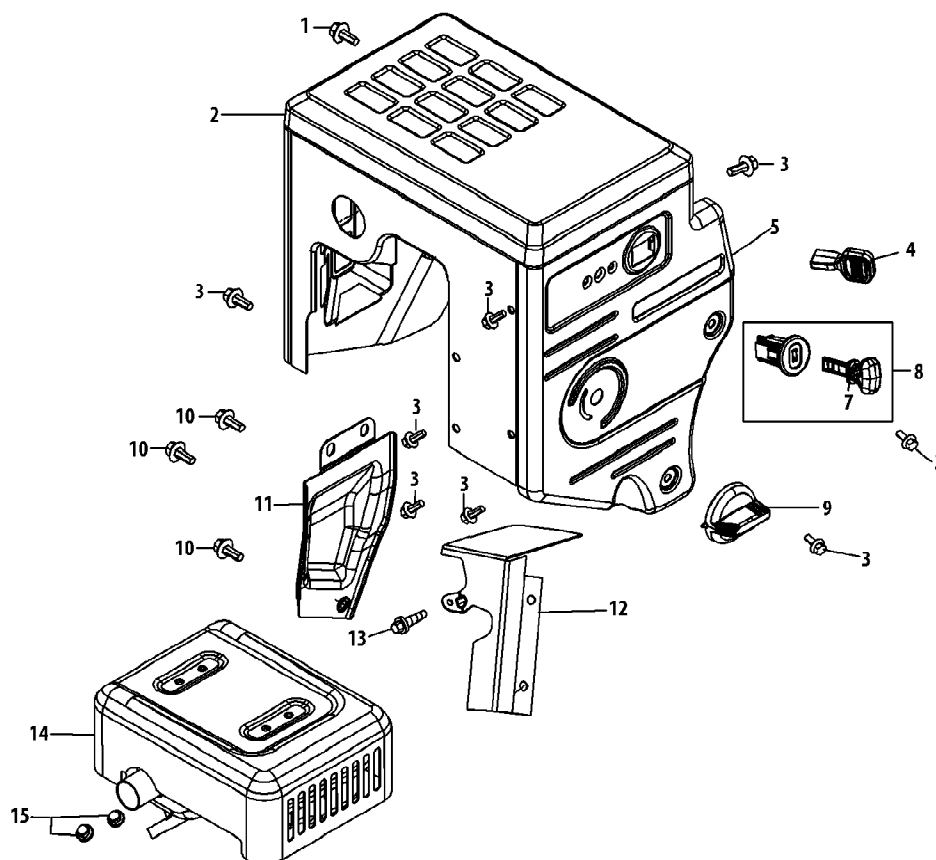
Ref #	Part Number	Qty	S/P/F	Description
100	951-11337	1	/P	Valve Kit
101	951-11337	1	/P	Valve Kit
102	951-11962	1	/P	Tappet
103	951-11335	1	/P	Push Rod (2X)
104	951-11329A	1	/P	Cylinder Head Ass'y (Incl Ref No. 100,101,104,106,108-116, 118-121,123,128-131)
105	715-04097	1		Dowel Pin, 12 x 20
106	951-11963	1	/P	Gasket, Cylinder Head
107	951-10292	1	/P	Spark Plug
108	951-11212	1	/P	Exhaust Pipe Gasket
109	710-04964	1		Stud, M8 x 48.5
109	951-11207	1	/P	Muffler Stud Ass'y
110	710-05053	1		Bolt, M10 x 1.25 x 87
111	751-11964	1	S	Intake Valve Seal
112	751-12077	1	S	Valve Spring Retainer
113	751-12078	1	S	Valve Spring
114	751-12080	1	S	Retainer, Ex.Valve Spring
115	751-12081	1	S	Adjuster, Exh Valve
116	951-11965	1	/P	Push Rod Guide
117	951-11981	1	/P	Rocker Arm Ass'y
118	710-04962	1		Bolt, Pivot
119	951-11966	1	/P	Rocker Arm
120	751-11123	1		Adjusting Nut, Valve
121	751-11124	1		Nut, Pivot Locking
122	710-05054	1		Valve Cover Bolt
123	951-11967	1	/P	Valve Cover Gasket
124	951-11220	1	/P	Valve Cover
126	951-11317	1	/P	Cylinder Baffle
128	710-05055	1		Stud, M6 x 8 x 98
129	710-05056	1		Stud, M6 x 8 x 118
130	951-11315	1	/P	Carburetor Insulator Gasket
131	951-11316	1	/P	Carburetor Insulator Plate
132	951-11223	1	/P	Carburetor Gasket
146	951-11221	1	/P	Breather Hose
147	726-04101	1		Clamp
149	951-11333	1	/P	Valve Cover Kit
	951-11334	1	/P	Cylinder Head Kit (Incl Ref No. 106,110,111,123)
	951-11331	1	/P	Gasket Kit - External (Incl Ref No. 79,108,123,130-132)
	951-11330A	1	/P	Gasket Kit - Complete (Incl Ref No. 53,60,65,79,81,106,108,123,130-132)
	951-11328A	1	/P	Short Block Ass'y (Incl Ref No. 41-45,49-61,63-68,77-79,81,102,105,106,108,141, 142)
	952Z483-SU-10	1	/P	Replacement Engine



31AH9575897 (2010)
483-SU-10 Fuel Tank & Mounting

Page 8 of 24

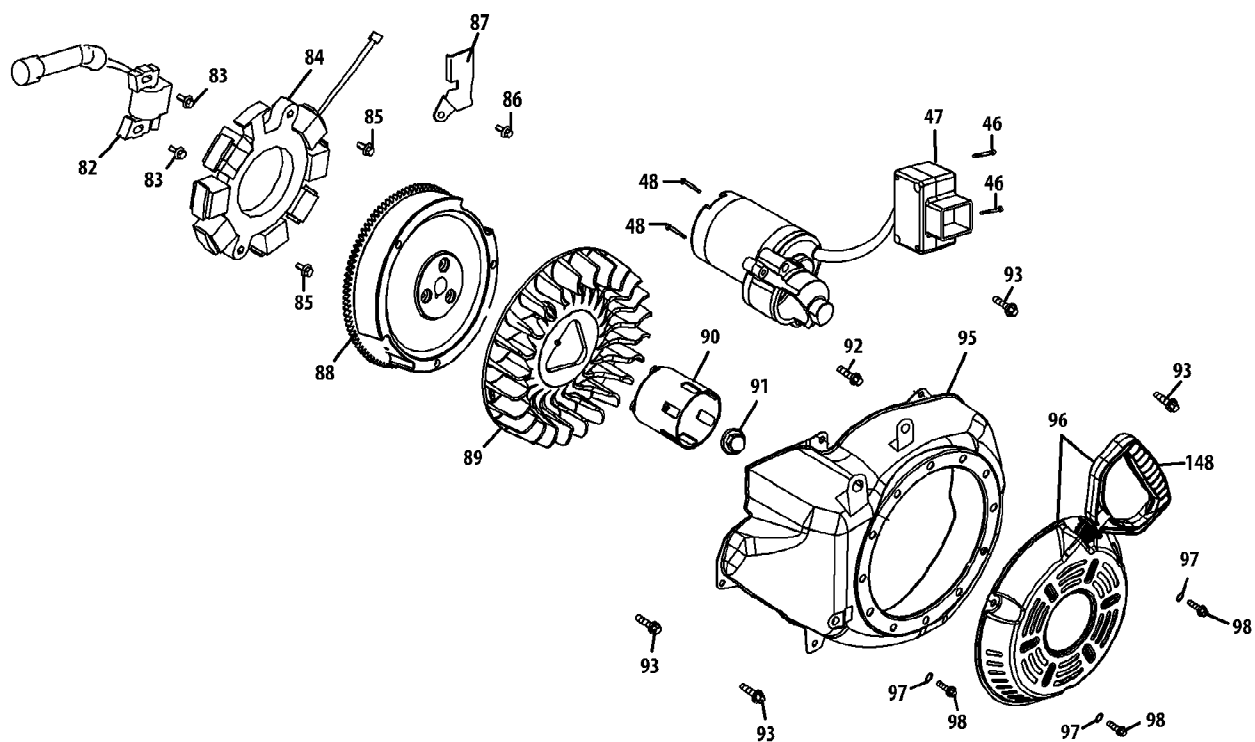
Ref #	Part Number	Qty	S/P/F	Description
16	951-10649	1	/P	Fuel Cap Ass'y
17	951-11933	1	/P	Fuel Level Indicator
18	710-04970	1		Flange Bolt, M8 x 20
19	750-05312	1		Bushing, Gas Tank
20	750-05313	1		Bushing, Gas Tank
21	951-11201	1	/P	Fuel Tank Ass'y
22	951-11319	1	/P	Fuel Tank Shroud
23	951-11318	1	/P	Rear Mounting Bracket Ass'y
24	951-11351	1	/P	Engine Shroud
25	951-11012	1		Bolt, M6 x 16
26	736-04452	1		Bush - Washer
27	951-11336	1	/P	Fuel Line Kit
28	951-11731	1	/P	Fuel Line Clamp
29	710-04921	1		Bolt, M8 x 14
30	951-11182	1	/P	Fuel Tank Mounting Bracket
33	712-04212	1	/P	Nut, M6
34	710-04908	1		Governor Arm Bolt
35	951-11307	1	/P	Governor Arm
36	951-11306	1	/P	Governor Spring
37	951-11203	1	/P	Throttle Linkage Spring
38	951-11309	1	/P	Throttle Linkage
39	951-11311	1	/P	Primer Bracket
40	710-04916	1		Bolt, Flange, M6 x 14



31AH9575897 (2010)
483-SU-10 Muffler & Controls

Page 10 of 24

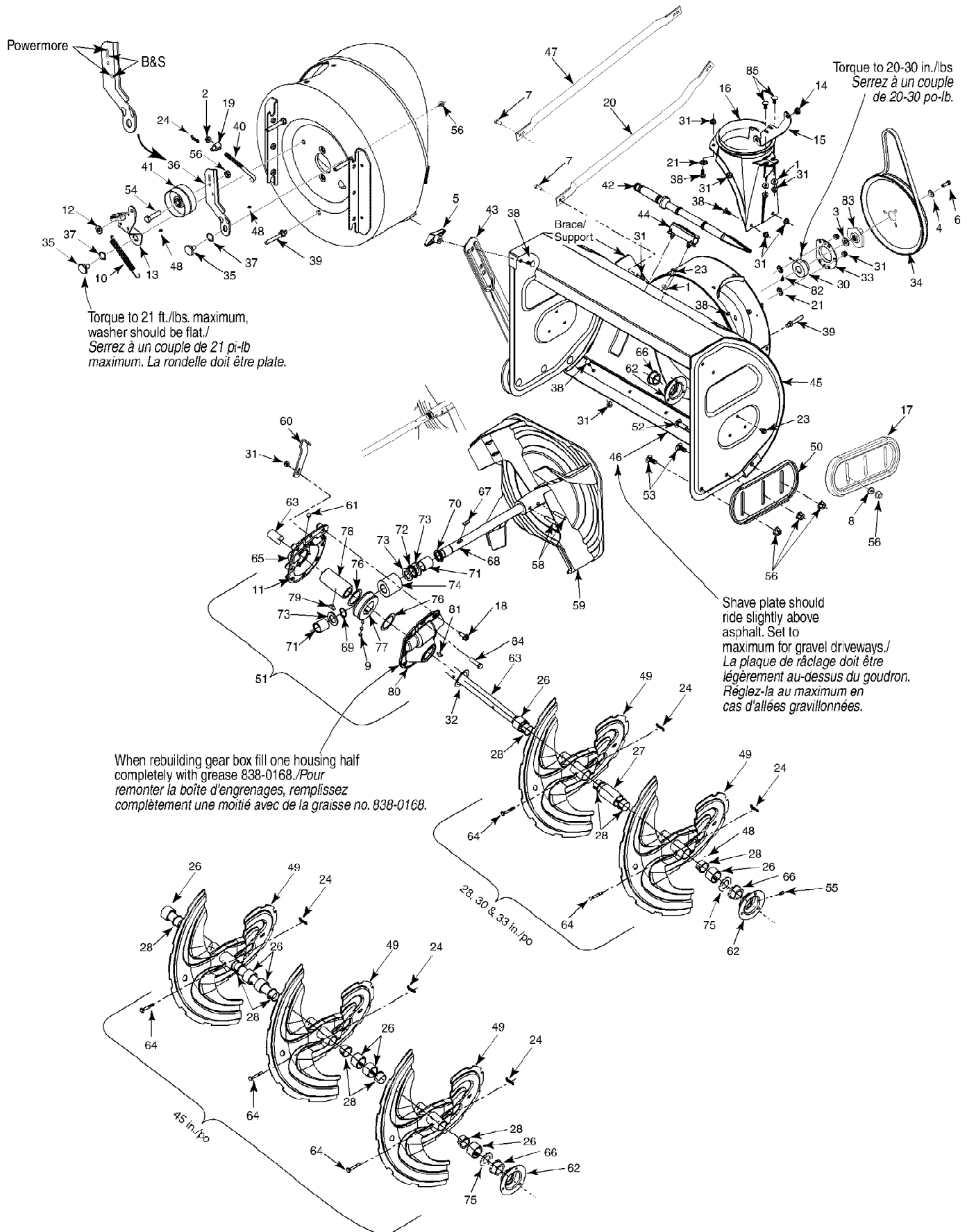
Ref #	Part Number	Qty	S/P/F	Description
1	710-11012	1		Bolt, M6 x 16
2	951-11339	1	/P	Muffler Shield
3	710-04915	1		Bolt, M6 x 12
4	951-10757	1	/P	Throttle Control Knob
5	951-11595	1	/P	Control Panel
7	731-05632	1		Key
8	951-10637	1	/P	Key Switch Ass'y
9	951-11302	1	/P	Choke Knob
10	710-04914	1		Bolt, Flange, M6 x 10
11	951-11181	1	/P	Muffler Baffle
12	951-11321	1	/P	Carb Isolator Bracket
14	951-11338	1	/P	Muffler Ass'y
15	712-04219	1		Nut, M8 - 1.25



31AH9575897 (2010)
483-SU-10 Starter Assembly & Blower Housing

Page 12 of 24

Ref #	Part Number	Qty	S/P/F	Description
46	710-04965	1		Bolt, M4 x 55
47	951-11196	1	/P	Electric Starter
48	710-04967	1		Bolt, M8 x 55
82	951-11305	1	/P	Ignition Coil Ass'y
83	710-04920	1		Ignition Coil Bolt
84	951-11961	1	/P	Coil Assy. Charge
85	710-04969	1		Bolt, M6 x 30
86	710-04966	1		Bolt, M6 x 8
87	951-11186	1	/P	Alternator Wire Clamp Bracket
88	951-11312	1	/P	Flywheel
89	951-11313	1	/P	Fan, Cooling
90	951-11314	1	/P	Starter Cup
91	712-04220	1		Nut, Special, M16 x 1.5
92	951-11012	1		Bolt, M6 x 16
93	710-04915	1		Bolt, M6 x 12
95	951-11211	1	/P	Blower Housing
96	951-11310	1	/P	Recoil Starter
97	736-04455	1		Gasket
98	710-04974	1		Bolt, M6 x 10
148	731-05696	1		Starter Handle



31AH9575897 (2010)
Auger & Housing

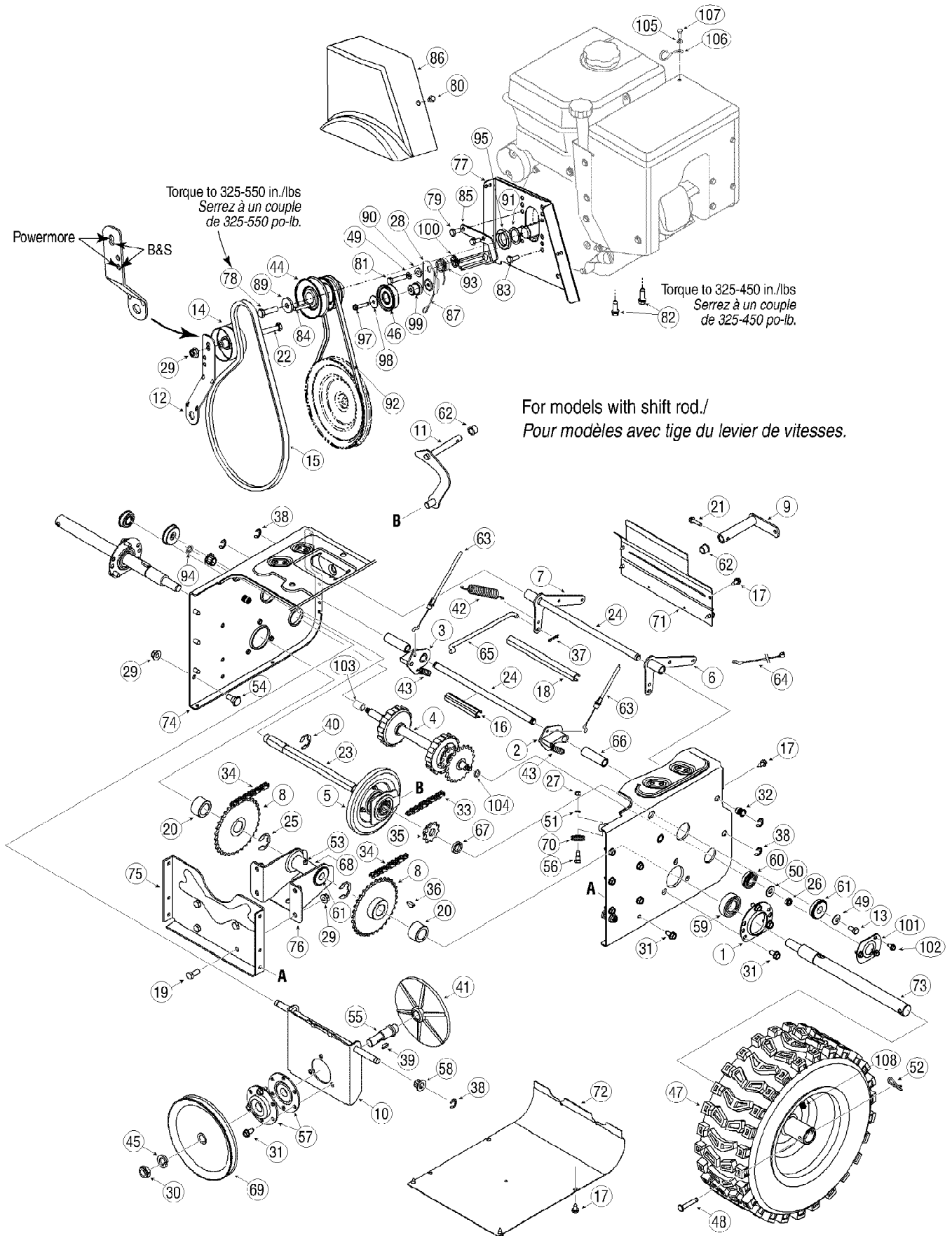
Page 14 of 24

Ref #	Part Number	Qty	S/P/F	Description
1	936-0159	1	/P	Flat Washer .349 ID x .879 OD x .063
2	712-3007	1	/P	Hex Jam Nut 5/16-18 Gr. 5
3	736-0188	1	/P	Flat Washer .760 ID x 1.49 OD
4	736-0505	1		Flat Washer .34 x 1.5 x .150
5	720-04072A	1	/P	Handle Knob Assembly
6	710-1245B	1	/P	Hex Screw 5/16-24 x .875 Gr. 8 Lock
7	710-3008	1	/P	Hex Hd Cap Scr. 5/16-18 x .75 Gr. 5
8	736-0262	1	/P	Flat Washer .385 x .870 x .092
9	737-0168A	1	/P	Shell Alvania Grease (3 oz.) (838-0168 in image) 8oz tube
10	732-0858	1		Extension Spring .470 Dia. x 4.75
11	N/A	1		Ultra Grey Loctite #5699
12	936-3008	1	/P	Flat Washer .344 ID x .75 OD x .120
13	918-0281A	1	/P	Brake Bracket Ass'y (900 Series)
14	941-0475	1	/P	Plastic Bushing .380 ID
15	790-00329-0637	1		Chute Brkt.
16	731-1696B	1	/P	Chute Adapter
17	731-06007	1		Reversible Slide Shoe (Plastic)
18	710-1260A	1	/P	Screw, 5/16-18 x .5
19	911-0677	1	/P	Adjustment Ferrule
20	749-04489-0637	1	/P	Support Tubing RH (w/Plastic panel)
20	749-04485-0637	1	/P	Support Tubing LH (w/Plastic panel)
21	926-04012	1	/P	Push-on Nut .25 diam
23	710-04484	1		Hex TT Screw 5/16-18 x .75
24	714-04040	1		Bow Tie Cotter Pin
26	731-05163	1		Spacer 1.5 x 1.0 ID x 1.0" Lg.
27	731-05162	1		Spacer 1.5 x 1.0 ID x 2.5" Lg.
28	741-0494	1		Flange Bushing 1.05 ID x 1.16 OD
30	941-04024	1	/P	Self-Aligning Bearing .875 ID
31	712-04063	1	/P	Hex Flg. L-Nut 5/16-18 Gr. F Nylon
32	736-3046A	1		Flat Washer 1.010 x 1.88 x .060
33	05244B	1	/P	Bearing Housing
34	756-04244A	1		Pulley .5 ID x 10 OD
35	938-0281	1	/P	Shoulder Scr .625 Dia x .170
36	784-0385D	1		Auger Idler Bracket
37	736-0174	1	/P	Wave Washer .625 ID x .885 OD x .015
38	710-0451	1	/P	Carriage Bolt 5/16-18 x .75
39	710-04606A	1	/P	Screw 5/16-18 x .43 (w/stud)
40	747-0980A	1		Auger Idler Rod
41	756-04224	1	/P	Flat Idler Pulley
42	931-2643	1	/P	Cleanout Tool
43	790-00181-0606	1		Drift Cutter
44	731-2635	1		Cleanout Tool Mount
45	684-04332-0606	1		Snowthrower Housing Ass'y 28"
45	684-04272-0606	1		Snowthrower Housing Ass'y 30"
45	684-04222-0606	1		Snowthrower Housing Ass'y 33"
46	784-5716B-0606	1		Shave Plate 28"
46	784-5715B-0606	1		Shave Plate 30"
46	784-5714B-0606	1		Shave Plate 33"
47	749-04384-0637	1	/P	Support Tubing (w/steel panel)
48	737-0318-CRTG	1	/P	Arctic Grease 14oz cartridge
49	684-04107-0637	1		Augers LH

31AH9575897 (2010)
Auger & Housing

Page 15 of 24

Ref #	Part Number	Qty	S/P/F	Description
49	684-04108-0637	1		Augers RH
50	784-5697-0606	1		Reversible Slide Shoe
51	918-04514	1	/P	Worm Gear Box Ass'y (w/ grease Fitting)
52	710-3168	1	/P	Carriage Bolt 3/8-16 x 1.00" (w/steel shoe)
53	710-0389	1	/P	Carriage Bolt 3/8-16 x .75" (w/steel shoe)
54	710-0347	1	/P	Hex Hd. Cap Scr 3/8-16 x 1.75 Gr. 5
55	937-3000	1	/P	Grease Fitting
56	712-04065	1	/P	Hex Flange L-Nut 3/8-16 Gr. F Nylon
58	915-0118	1	/P	Spring Spirol Pin Heavy - 5/16 dia x 1.7
59	684-0090B-0637	1	/P	Blower Fan Ass'y Complete
60	790-00264A-0637	1	/P	Gear Housing Support Bracket
61	721-0325	1		Barbed Plug
62	784-0315A-0637	1		Bearing Housing (w/grease Fitting)
63	738-04156	1		Auger Shaft 28"
63	938-04157	1	/P	Auger Shaft 30"
63	938-04158	1	/P	Auger Shaft 33"
64	738-04155	1		Shear Pin 5/16-18 x 1.75
65	918-0246	1	/P	Gear Housing Half - RH
66	741-0192	1		Flange Bearing
67	914-0126	1	/P	#9 HI-Pro Key 3/16 x 3/4 Dia HT
68	711-04714	1		Auger Drive Shaft
69	716-0111	1	/P	Snap Ring for .875 dia. shaft
70	921-0145	1	/P	Oil seal for .875 ID Garlock (76 x 6133)
71	941-0217	1	/P	Sleeve Bearing .875 ID
72	741-0184	1		Thrust Bearing .88 ID x 1.44 OD x .078
73	936-0291	1	/P	Flat Washer .88 ID x 1.4 OD x .125
74	917-0299	1	/P	Worm Gear LH Double Thread
75	950-04020	1		Spacer
76	936-0266	1	/P	Flat Washer 1.5 ID x 2.0 OD x .03
77	917-1425	1	/P	Worm Gear LH Double Thread (Bronze)
78	738-0275	1		Worm Gear Shaft
79	914-0135	1	/P	#91 Wood ruff Key 1/4 x 3/4 Dia.
80	918-0435	1	/P	Gear Housing Half LH (w/grease Fitting hole)
81	914-0135	1	/P	#91 Wood ruff Key 1/4 x 3/4 Dia.
82	N/A	1		Low Temperature grease
83	748-04067A	1		Pulley Adapter .75 Dia. w/pins
84	710-0376	1	/P	Hex Hd. Cap Scr. 5/16-18 x 1.0 Gr. 5
85	710-0276	1	/P	Carriage Bolt 5/16-18 x 1.00" Lg
	753-06206	1		Standard Polymer Reversible Shoe Kit (Will replace 731-06439, Incl. Hardware) Not shown
	753-06205	1		Deluxe Polymer Reversible Shoe Kit (Will replace 731-05984A, Incl. Hardware) Not shown



31AH9575897 (2010)
Drive Assembly

Page 17 of 24

Ref #	Part Number	Qty	S/P/F	Description
1	05244B	1	/P	Bearing Housing
2	618-0279P	1	/P	LH Dog Assembly
3	618-0280P	1	/P	RH Dog Assembly
4	918-0282E	1	/P	Steering Shaft Assembly
5	918-04178	1	/P	Wheel Ass'y Bearing 6.0" OD
5	718-04034	1		Friction Wheel Bonded
5	710-0896	1	/P	Hex Wash. Hd. TT Scr. 1/4-14 x .625
6	684-0118B-0637	1	/P	Actuator Auger Bracket Ass'y
7	684-0119B-0637	1	/P	Actuator Drive Bracket Ass'y
8	684-04235	1		32T Sprocket Ass'y
9	684-0161-0637	1	/P	Shift Arm Ass'y
10	684-04212-0637	1	/P	Friction Drive Support
11	984-04103	1	/P	Shift Ass'y Rod
12	784-0385D	1		Auger Idler Bracket
13	710-0538	1	/P	Hex L-Bolt 5/16-18 x .62
14	756-04224	1	/P	Flat Idler Pulley
15	954-04194A	1	/P	V-Belt 4L x 44.6" Lg.
16	750-04718	1		Spacer .51 ID x 3.66" Lg.
17	710-1652	1	/P	Hex Wash Hd TT Scr. 1/4-20 x .625
18	750-04717	1		Spacer .51 ID x 7.895" Lg.
19	710-3001	1	/P	Hex Hd. C-Sunk Scr. 3/8-16 x .880 Gr. 5
20	750-04703	1		Spacer 1.0 ID x 1.5" Lg.
21	710-0788	1	/P	Hex Bolt 1/4-20 x 1.00
22	710-0347	1	/P	Hex Screw 3/8-16 x 1.75
23	911-04279	1	/P	Hex Drive Shaft
24	711-04605	1		Actuator Shaft
25	716-04048	1		Retaining Ring
26	912-0116	1	/P	Hex Nut 3/8-24
27	912-0138	1	/P	Hex Nut 1/4-28
28	790-00208C	1	/P	Drive Idler Bracket
29	712-04065	1	/P	Flange L-Nut 3/8-16 Gr. F Nylon
30	912-0413	1	/P	Hex Jam Locknut 5/8-18 Gr. 5 Nylon
31	710-04484	1		TT Screw, 5/16-18 x .75
32	712-0717	1		Nut In sert 3/8-16 UNC
33	713-0284	1		#41 Chain 1/2" pitch x 36 links- End less
34	713-0286	1	/P	#420 Chain 1/2" pitch x 40 links-End less
35	913-04015	1	/P	10T Sprocket #41 x .500
36	914-0135	1	/P	Wood ruff Key
37	914-0104	1	/P	Int. Cotter Pin 5/16 DIA
38	916-0104	1	/P	E-ring
39	914-0388	1	/P	No. 61 Hi-Pro Key 3/16 x 5/8
40	716-0136	1		Retaining Ring E-Type .875 dia.
41	917-0302	1	/P	Aluminum Drive Plate
42	932-0121	1	/P	Idler Extension Spring
43	932-0209	1	/P	Extension Spring .47 OD x 2.03 Lg.
44	756-04351	1		Pulley, Dbl (w/357 cc Powermore engine)
45	936-0158	1	/P	Lockwasher 5/16 ID
46	684-04169	1		Idler Pulley Ass'y
47	634-0225A	1		LH Wheel Ass'y Comp. 16 x 6.5 x 8 X-Trac
47	634-0226A	1		RH Wheel Ass'y Comp. 16 x 6.5 x 8 X-Trac
47	734-2031	1		Tire Only
47	734-1124A-0662	1	/P	Rim Only
47	741-0246A	1		

31AH9575897 (2010)
Drive Assembly

Page 18 of 24

Ref #	Part Number	Qty	S/P/F	Description
48	711-04615	1		Clevis Pin
49	736-0242	1	/P	Cupped Washer .345 ID x .88 OD x .06
50	936-0300	1	/P	Flat Washer .385 ID x .87 OD x .06
51	936-0329	1	/P	L-Wash 1/4 ID
52	914-0149B	1	/P	Int. Cotter Pin
53	937-3000	1	/P	Grease
54	738-0143	1	/P	Shld. Scr. .500 Dia. x .335" Lg.
55	738-0279	1		Drive Plate Spin dle
56	738-0924A	1	/P	Hex Shld.Scr.1/4-28 x .375
57	741-0163A	1	/P	Bearing Hsg. Ass'y.
58	741-04108	1		Hex Flange Bearing
59	941-04025	1	/P	Self Aligning brg. 1.0 ID
60	741-0747	1		Ball Bearing .5625 ID x 1.3750 x .4375
61	941-0563	1	/P	Ball Bearing w/snap ring
62	741-0748	1		Flange Bushing .500 ID x .627 OD
63	746-0949A	1	/P	Steering Cable
64	946-0951A	1	/P	Auger Idler Cable
65	747-0973	1		Drive Clutch Rod
66	750-0903B	1	/P	Split Spacer 1/2 x 5/8 x 2.69
67	950-0997	1	/P	Spacer .625 ID x 1.0 OD x .23
68	750-1302B	1		Spacer .6725ID x 1.125OD x 2.485
69	756-0344	1	/P	1/2" "V" Pulley .625 ID x 7.50 OD
70	756-0625	1		Cable Guide Roller
71	790-00257-0606	1		Upper Frame Cover
72	790-00259-0606	1		Lower Frame Cover
73	711-04608	1	/P	Axle .995 x 12.6" Lg. (28")
73	711-04607	1		Axle.995 x 14.10" Lg (30" & 33")
74	790-00349	1		Transmission Frame Ass'y (900)
75	784-0406A-0637	1	/P	Frame Support Bracket
76	784-0407-0637	1	/P	Axle Brg. Support Bracket
77	790-00254A-0637	1	/P	Belt Cover Bracket
78	710-0191	1	/P	Hex Screw 3/8-24 x 1.25 Gr. 8 (Powermore)
79	710-0627	1	/P	Hex Screw 5/16-24 x .75 Gr. 5
80	710-0607	1	/P	Hex Wash HD S-Tapp Scr 5/16-18 x .50
81	710-0624	1	/P	Hex HD. Cap Scr. 5/16-24 x 1.5 Lg. Gr. 5
82	710-0654A	1	/P	Hex Wash HD Tap Scr 3/8-16 x 1.00
83	738-04439	1		Shoulder Screw .50 x .145: 5/16-24
84	714-0118	1	/P	Square Key 1/4 x 1/4 x 1.50" Lg.
85	790-00167A-0637	1	/P	Belt Keeper Bracket
86	931-2531	1	/P	Belt Cover
87	732-04308A	1	/P	Torsion Spring .850 x 3.33" Lg.
89	736-0247	1	/P	Flat Washer .406 ID x 1.25 OD x .160
90	748-04112B	1	/P	Shoulder Spacer .3175 x .5 x .094
91	750-05316	1		Spacer 1.155 ID x 1.5 OD x 0.150 (w/Powermore)
92	954-04202	1		V-Belt 3/8 x 36.68" Lg. (Powermore)
93	750-04821	1		Shoulder Spacer .340 x 1.0
94	726-0221	1	/P	Speed Nut .50
95	750-05318	1		Spacer 1.004 x 1.375 x .25 (w/357 cc Powermore)
97	710-0809	1		Hex Bolt 1/4-20 x 1.25
98	736-3092	1		Flat Washer .265 ID x 1.0 OD x 0.030 HT

31AH9575897 (2010)
Drive Assembly

Page 19 of 24

Ref #	Part Number	Qty	S/P/F	Description
99	750-04571	1		Shoulder Spacer
100	926-04012	1	/P	Push on Nut
101	784-0404	1		Bearing Retaining Bracket
102	710-0599	1	/P	Hex Wash S-Tapp Scr 1/4-20 x .50
103	750-05343	1		Spacer .566 ID x .87 OD x 1.25
104	750-05342	1		Spacer .566 ID x .87 OD x 0,190
105	936-0264	1	/P	Flat Washer .330 ID x .630 OD x .0635
106	732-04677	1		Cable Guide
107	710-04022	1		Hex Hd. Cap Scr. MB-1.25:20 Gr. 8
108	934-0255	1	/P	Air Valve

31AH9575897 (2010)
Handle, Panel & Chute

Page 21 of 24

Ref #	Part Number	Qty	S/P/F	Description
1	784-5604A-0637	1	/P	Chute Tilt Handle
2	646-0012	1		Cable Ass'y (Auger/Drive)
3	684-04309A	1		Lower Chute Crank Assembly
4	705-5218	1		Engagement Handle RH Black
5	705-5219	1		Engagement Handle LH Black
6	705-5266-0637	1	/P	Upper Chute Crank Support
7	710-0458	1	/P	Carriage Bolt 5/16-18 x 1.75" Lg.
8	710-0572	1	/P	Carriage Bolt 5/16-18 X 2.50
9	784-5594-0637	1	/P	Cable Bracket Chute Tilt
10	710-1625	1		Screw, #10-24 x 1.75
11	710-04682	1	/P	Hex Screw 3/8-16 x 2.0 Gr. 5
12	710-3118	1		Hex TT Screw 3/8-16 x .75
13	710-3015	1	/P	Hex Cap Bolt 1/4-20 x .75" Lg.
14	911-0677	1	/P	Adjustment Ferrule
15	784-5679-0637	1	/P	LH Handle Support Brkt. 5/8"
16	712-04064	1	/P	Hex L-Flanged Nut 1/4-20 Gr. F Nylon
18	914-0101	1	/P	Internal Cotter Pin
19	914-0104	1	/P	Int. Cotter Pin .072 x 1.13" Lg.
20	720-0201A	1	/P	Knob 1.0 x 3.2
21	720-04039	1		Shift Knob
22	720-04072A	1	/P	Knob
23	725-0157	1	/P	Cable Tie
24	784-5682-0637	1	/P	RH Handle Support Brkt. 3/8"
25	784-5681	1	/P	LH Handle Support Brkt. 3/8"
26	926-0100	1	/P	Push Nut 3/8" Rod
27	948-0363	1	/P	Cam Lock Pawl
28	736-0105	1	/P	Cupped Washer .375 ID x .870 OD x .063
29	936-0185	1	/P	Flat Washer .406" I.D. x .75" O.D.
30	736-0242	1	/P	Cupped Washer .345 ID x .88 OD x .06
31	936-0275	1	/P	Flat Washer .34 ID x .688 OD x .065
32	941-0475	1	/P	Plastic Bushing .380 ID
33	746-0950A	1	/P	Steering Trigger
34	747-0624-0637	1	/P	Upper Chute Crank Assembly
35	747-0983A	1	/P	Lower Shift Rod
36	747-0997	1		Upper Shift Rod
37	784-5680-0637	1	/P	RH Handle Support Brkt. 5/8"
38	749-0989A-0637	1	/P	Upper Handle LH
39	749-0990A-0637	1	/P	Upper Handle RH
40	749-0991-0637	1		Lower Handle
41	950-0963	1	/P	Connector - Shift Rod
42	684-0102A	1		Handle Panel Support Ass'y
43	710-0276	1	/P	Carriage Bolt 5/16-18 x 1.00" Lg
44	710-0458	1	/P	Carriage Bolt 5/16-18 x 1.75" Lg.
45	710-0459A	1	/P	Hex Scr 3/8-24 x 1.50
46	710-0597	1	/P	Screw 1/4-20 x 1.0
47	710-0599	1	/P	Hex Wash S-Tapp Scr 1/4-20 x .50
48	710-0805	1	/P	Hex Bolt 5/16-18 x 1.50" Lg. Gr. 5
49	710-0895	1		Hex Tapp Scr 1/4 x .75" Lg.
50	711-0653	1	/P	Clevis Pin .31 Dia. x 1.0" Lg.
51	912-3020	1	/P	Hex Nut 3/8-16 Gr. 5 Nylon
52	748-0362	1		Cam Handle Lock
53	914-0507	1	/P	Cotter Pin 3/32 x .75
54	731-0846C			

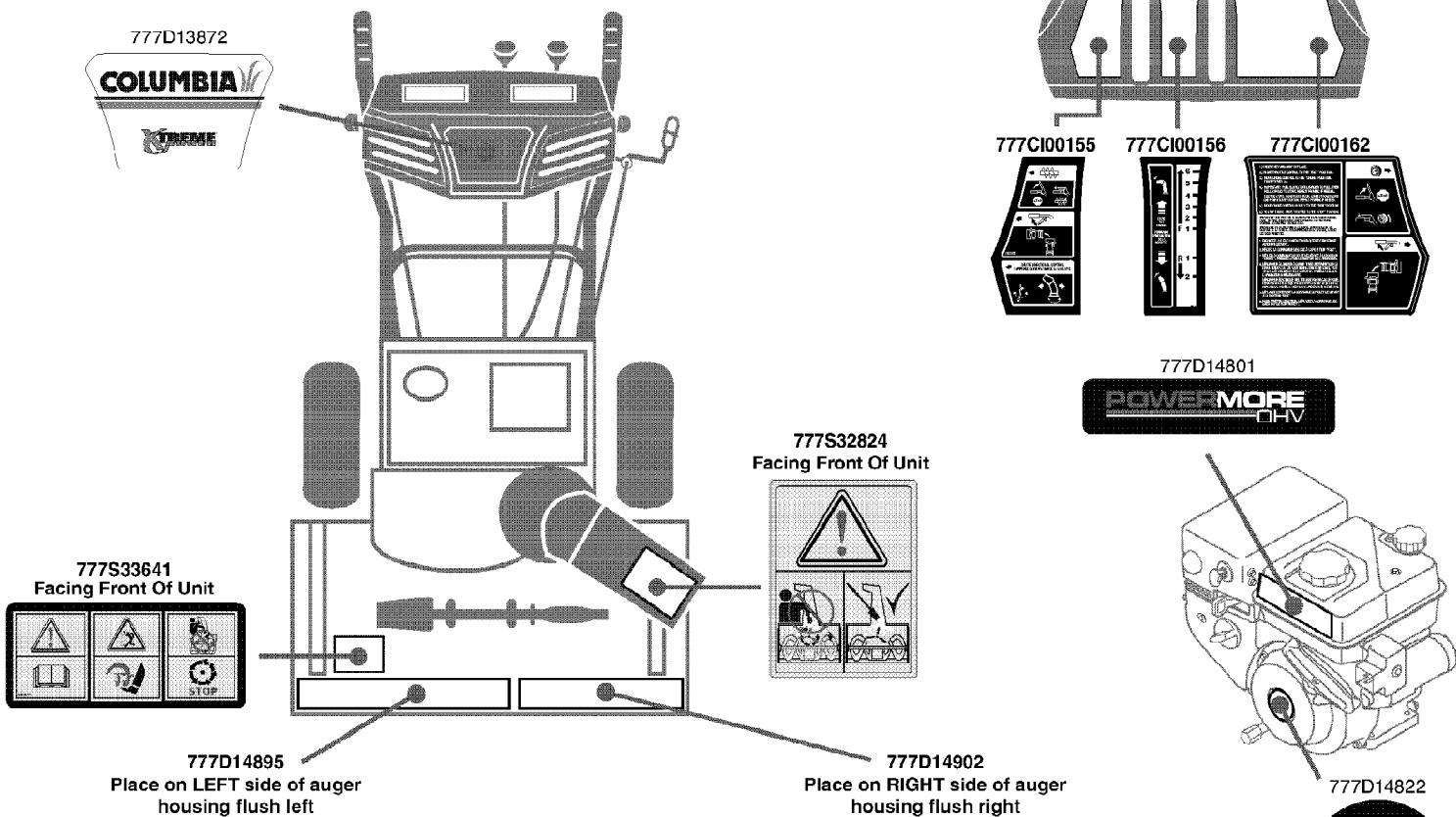
31AH9575897 (2010)
Handle, Panel & Chute

Page 22 of 24

Ref #	Part Number	Qty	S/P/F	Description
55	731-0851A	1	/P	Chute Flange Keeper
56	731-0903E	1	/P	Lower Chute
57	731-1313C	1	/P	Cable Guide
58	732-0145	1	/P	Compression Spring .62 OD x 6.12" Lg.
59	732-0193	1	/P	Compression Spring .38 ID x .88 Lg
60	732-0746	1		Torsion Spring
61	935-0199A	1	/P	Rubber Bumper
62	784-5619B-0637	1	/P	Shift Lever
63	936-0231	1	/P	Flat Washer .344 ID x 1.125 OD x .125
64	936-0119	1	/P	L-Wash 5/16 ID
65	736-0509	1		Flat Washer (spe cial) .350 sq. x .72 x .134
66	946-0902	1	/P	Chute Control Cable 66"
67	946-0903	1	/P	Chute Control Cable w/clip
68	747-0877	1		Cam Rod
69	712-04063	1	/P	Hex L-Flanged Nut 5/16-18 Gr. F Nylon
70	936-0159	1	/P	Flat Washer .349 ID x .879 OD x .063
71	912-3009	1	/P	Hex Patch L-Nut 5/16-18
72	715-04095	1		Spiral Pin .156 Diam x .80" Lg.
73	684-04350	1		Joint Block Ass'y
74	684-04308A	1	/P	Chute Crank Assembly
75	936-0159	1	/P	Flat Washer .349 ID x .879 OD x .063
76	725-05151	1		Wire Harness
77	710-1003	1	/P	Hex Tapp Wash Hd. Scr. #10 x 5/8
78	925-1658	1	/P	Bulb #890, 12 V, 27 Watt
79	925-1672	1	/P	Head light Housing
80	731-04069	1		Black Handle Panel
81	747-1136	1	/P	Retainer

777D13896

COLUMBIA



REMOTE CHUTE CONTROL • COMMANDE DE LA GOULOTTE
ELECTRIC START • DÉMARRAGE ÉLECTRIQUE
OHV • S.E.T. **11530GC**
POWER STEERING • DIRECTION ASSISTÉE



31AH9575897 (2010)
Label Map 11530GC

Page 24 of 24

Ref #	Part Number	Qty	S/P/F	Description
777D13872	777D13872	1		LABEL-SNOW EXTREME AUGER CANADA
777S33641	777S33641	1		LBL-AUGR HSG SAFETY PICTORIAL
777D14895	777D14895	1		LBL:SNOW:AUG LT 30IN COLUM
777D14902	777D14902	1		LBL:SNOW:AUG RT 11530GC
777S32824	777S32824	1		LABEL-SNOW CHUTE EXPORT
777D14822	777D14822	1		LBL:SNOW/ENG/SPN:357/ES:CAN
777D14801	777D14801	1		LBL-POWERMORE ENG
777CI00162	777CI00162	1		LABEL-SNOW CONTROL PANEL RH
777CI00156	777CI00156	1		LABEL-SNOW CONTROL PANEL
777CI00155	777CI00155	1		LABEL-SNOW CONTROL PANEL STYLE 7
777D13896	777D13896	1		LABEL-SNOW PANEL COLUMBIA