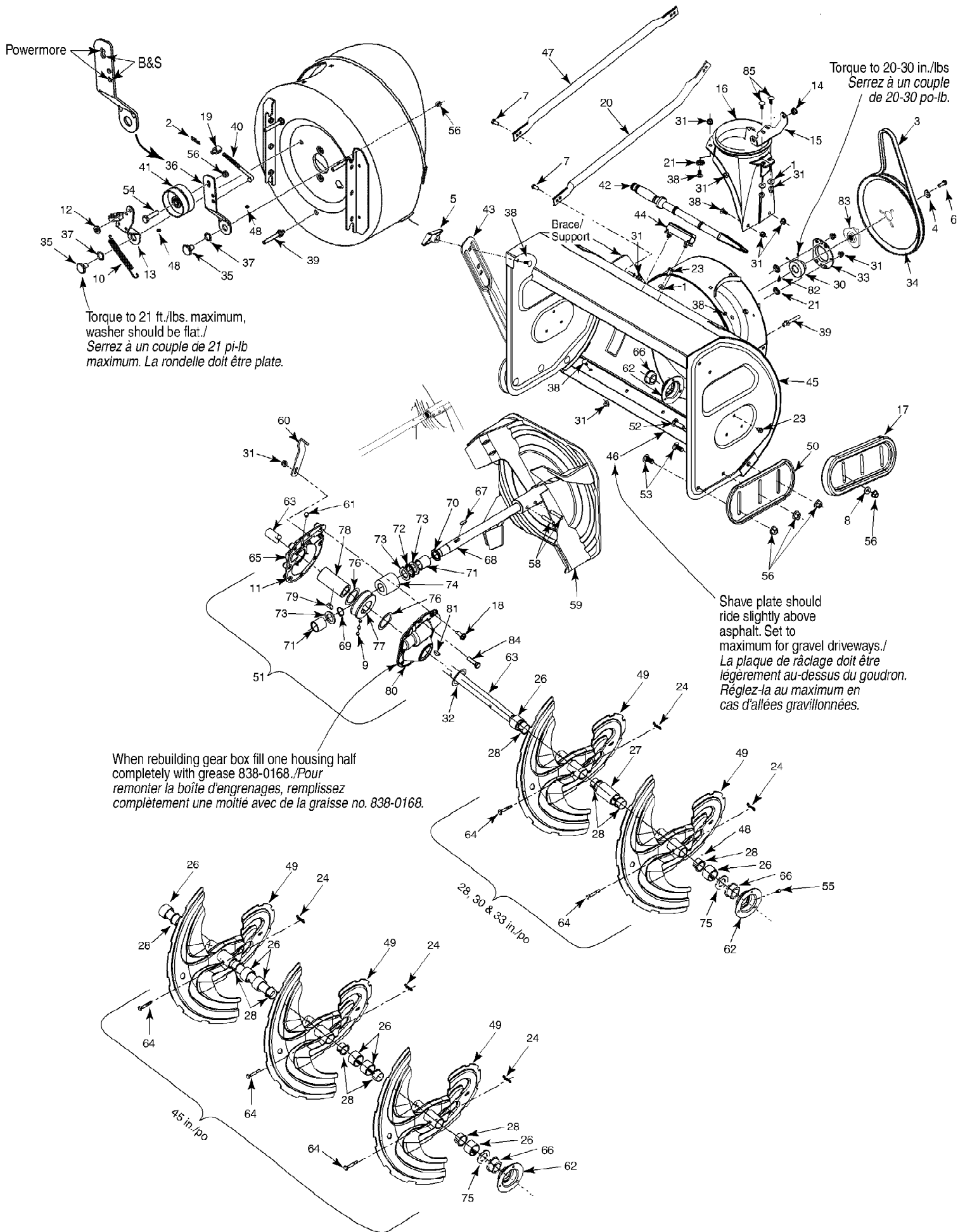


31AH9575897 (2009)
Auger & Housing Assembly



Torque to 21 ft./lbs. maximum, washer should be flat./
Serrez à un couple de 21 pi-lb maximum. La rondelle doit être plate.

Torque to 20-30 in./lbs
Serrez à un couple de 20-30 po-lb.

Shave plate should ride slightly above asphalt. Set to maximum for gravel driveways./
La plaque de râclage doit être légèrement au-dessus du goudron. Réglez-la au maximum en cas d'allées gravillonnées.

When rebuilding gear box fill one housing half completely with grease 838-0168./
Pour remonter la boîte d'engrenages, remplissez complètement une moitié avec de la graisse no. 838-0168.

28, 30 & 33 in./po

45 in./po

31AH9575897 (2009)
Auger & Housing Assembly

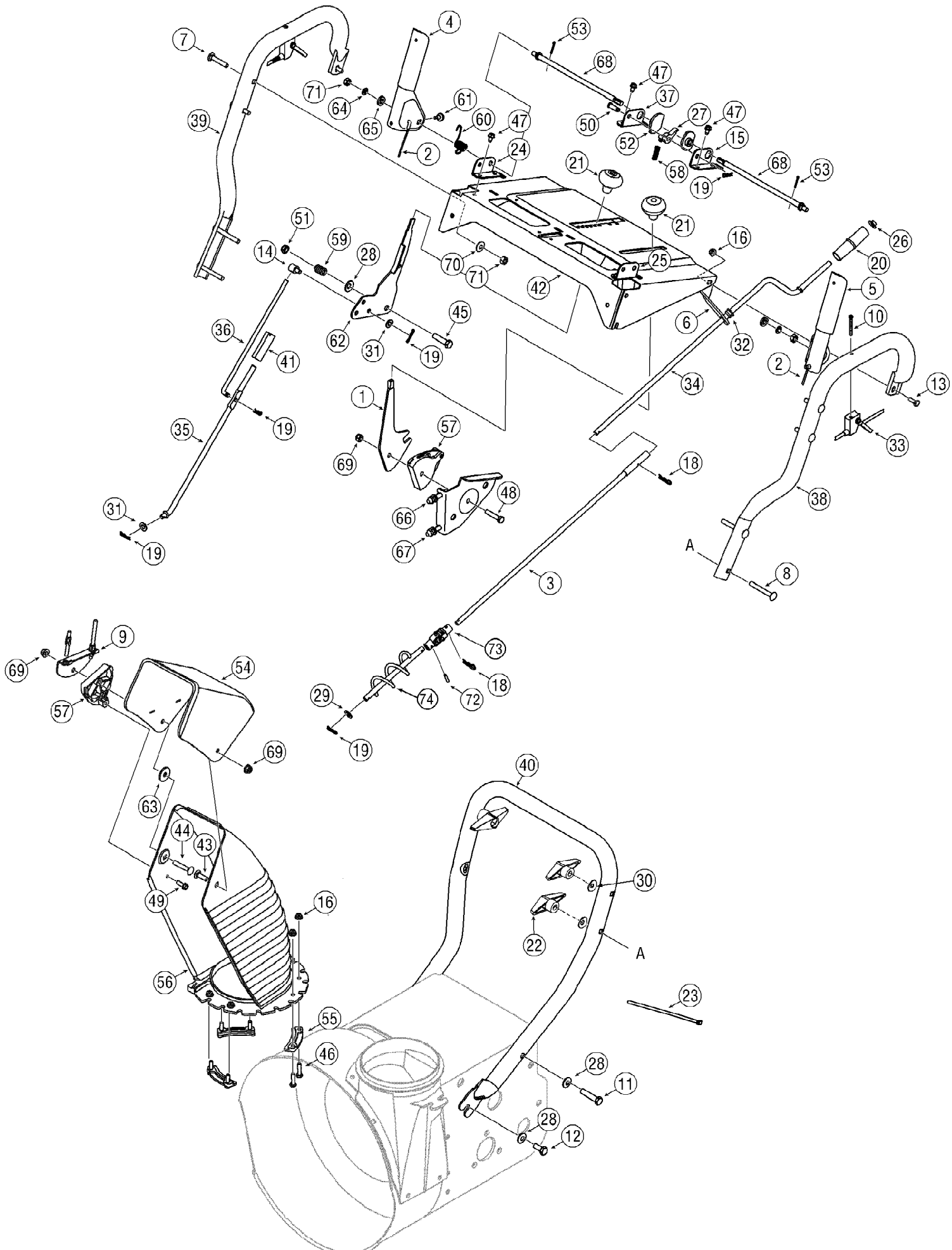
Page 2 of 27

Ref #	Part Number	Qty	S/P/F	Description
1	936-0159	1	/P	Flat Washer .349 ID x .879 OD x .063
2	914-0104	1	/P	Int. Cotter Pin
3	954-04194A	1	/P	V-Belt 1/2 x 44.60" Lg.
4	736-0505	1		Flat Washer .34 x 1.5 x .150
5	720-04072A	1	/P	Handle Knob Assembly
6	710-1245B	1	/P	Hex Screw 5/16-24 x .875 Gr. 8 Lock
7	710-3008	1	/P	Hex Hd Cap Scr. 5/16-18 x .75 Gr. 5
8	736-0262	1	/P	Flat Washer .385 x .870 x .092
9	737-0168A	1	/P	Shell Alvania Grease (3 oz.)
10	732-0858	1		Extension Spring .470 Dia. x 4.75
11	721-0328	1		Ultra Grey Loctite #5699
12	936-3008	1	/P	Flat Washer .344 ID x .75 OD x .120
13	618-0281A	1	S	Brake Bracket Ass'y (900 Series)
14	941-0475	1	/P	Plastic Bushing .380 ID
15	790-00329-0637	1		Chute Brkt.
16	731-1696B	1	/P	Chute Adapter
18	710-1260A	1	/P	Screw, 5/16-18 x .5
19	911-0677	1	/P	Adjustment Ferrule
21	926-04012	1	/P	Push-on Nut .25 dia.
23	710-04484	1		Hex TT Screw 5/16-18 x .75
24	714-04040	1		Bow Tie Cotter Pin
26	731-05163	1		Spacer 1.5 x 1.0 ID x 1.0" Lg.
27	731-05162	1		Spacer 1.5 x 1.0 ID x 2.5" Lg.
28	741-0494	1		Flange Bushing 1.05 ID x 1.16 OD
30	941-04024	1	/P	Self-Aligning Bearing .875 ID
31	712-04063	1	/P	Hex Flg. L-Nut 5/16-18 Gr. F Nylon
32	736-3046A	1		Flat Washer 1.010 x 1.88 x .060
33	05244B	1	/P	Bearing Housing
34	756-04244A	1		Pulley .5 ID x 10 OD
35	938-0281	1	/P	Shoulder Scr .625 Dia x .170
36	784-0385C	1	/P	Auger Idler Bracket
37	736-0174	1	/P	Wave Washer .625 ID x .885 OD x .015
38	710-0451	1	/P	Carriage Bolt 5/16-18 x .75
39	710-04606A	1	/P	Screw 5/16-18 x .43 (w/stud)
40	747-0980A	1		Auger Idler Rod
41	756-0178	1		Flat Idler Pulley
42	731-2643	1	S	Cleanout Tool
43	790-00181-0606	1		Drift Cutter
44	731-2635	1		Cleanout Tool Mount
45	684-04332-0606	1		Snowthrower Housing Ass'y 28"
45	684-04333-0606	1		Snowthrower Housing Ass'y 30"
45	684-04222-0606	1		Snowthrower Housing Ass'y 33"
46	784-5716B-0606	1		Shave Plate 28"
46	784-5715B-0606	1		Shave Plate 30"
46	784-5714B-0606	1		Shave Plate 33"
47	749-04384-0637	1	/P	Support Tubing (w/steel panel)
48	737-0318	1	S	Arctic Grease
49	684-04151-0637	1		Augers LH
49	684-04152-0637	1		Augers RH
50	784-5697-0606	1		Reversible Slide Shoe
51	918-04514	1	/P	Worm Gear Box Ass'y (w/ grease fitting)
52	710-3168	1	/P	Carriage Bolt 3/8-16 x 1.00" (w/steel shoe)
53	710-0389	1	/P	Carriage Bolt 3/8-16 x .75" (w/steel shoe)

31AH9575897 (2009)
Auger & Housing Assembly

Page 3 of 27

Ref #	Part Number	Qty	S/P/F	Description
54	710-0347	1	/P	Hex Hd. Cap Scr 3/8-16 x 1.75 Gr. 5
55	937-3000	1	/P	Grease fitting
56	712-04065	1	/P	Hex Flange L-Nut 3/8-16 Gr. F Nylon
58	915-0118	1	/P	Spring Spirol Pin Heavy - 5/16 dia x 1.7
59	684-0090B-0637	1	/P	Blower Fan Ass'y Complete
60	790-00264A-0637	1	/P	Gear Housing Support Bracket
61	721-0325	1		Barbed Plug
62	784-0315A-0637	1		Bearing Housing (w/grease fitting)
63	738-04156	1		Auger Shaft - 28"
63	938-04157	1	/P	Auger Shaft - 30"
63	938-04158	1	/P	Auger Shaft - 33"
64	738-04155	1		Shear Pin 5/16-18 x 1.75
65	918-0246	1	/P	Gear Housing Half - RH
66	741-0192	1		Flange Bearing
67	914-0126	1	/P	#9 HI-Pro Key 3/16 x 3/4 Dia HT
68	711-04714	1		Auger Drive Shaft
69	716-0111	1	/P	Snap Ring for .875 dia. shaft
70	921-0145	1	/P	Oil seal for .875 ID Garlock (76 x 6133)
71	941-0217	1	/P	Sleeve Bearing .875 ID
72	741-0184	1		Thrust Bearing .88 ID x 1.44 OD x .078
73	936-0291	1	/P	Flat Washer .88 ID x 1.4 OD x .125
74	917-0299	1	/P	Worm Gear LH Double Thread
75	950-04020	1		Spacer
76	936-0266	1	/P	Flat Washer 1.5 ID x 2.0 OD x .03
77	917-1425	1	/P	Worm Gear LH Double Thread (Bronze)
78	738-0275	1		Worm Gear Shaft
79	914-0135	1	/P	#91 Woodruff Key 1/4 x 3/4 Dia.
80	918-0435	1	/P	Gear Housing Half LH (w/grease fitting hole)
81	914-0135	1	/P	#91 Woodruff Key 1/4 x 3/4 Dia.
83	748-04067A	1		Pulley Adapter .75 Dia. w/pins
84	710-0376	1	/P	Hex Hd. Cap Scr. 5/16-18 x 1.0 Gr. 5
85	710-0276	1	/P	Carriage Bolt 5/16-18 x 1.00" Lg



31AH9575897 (2009)
Chute & Handle Assembly

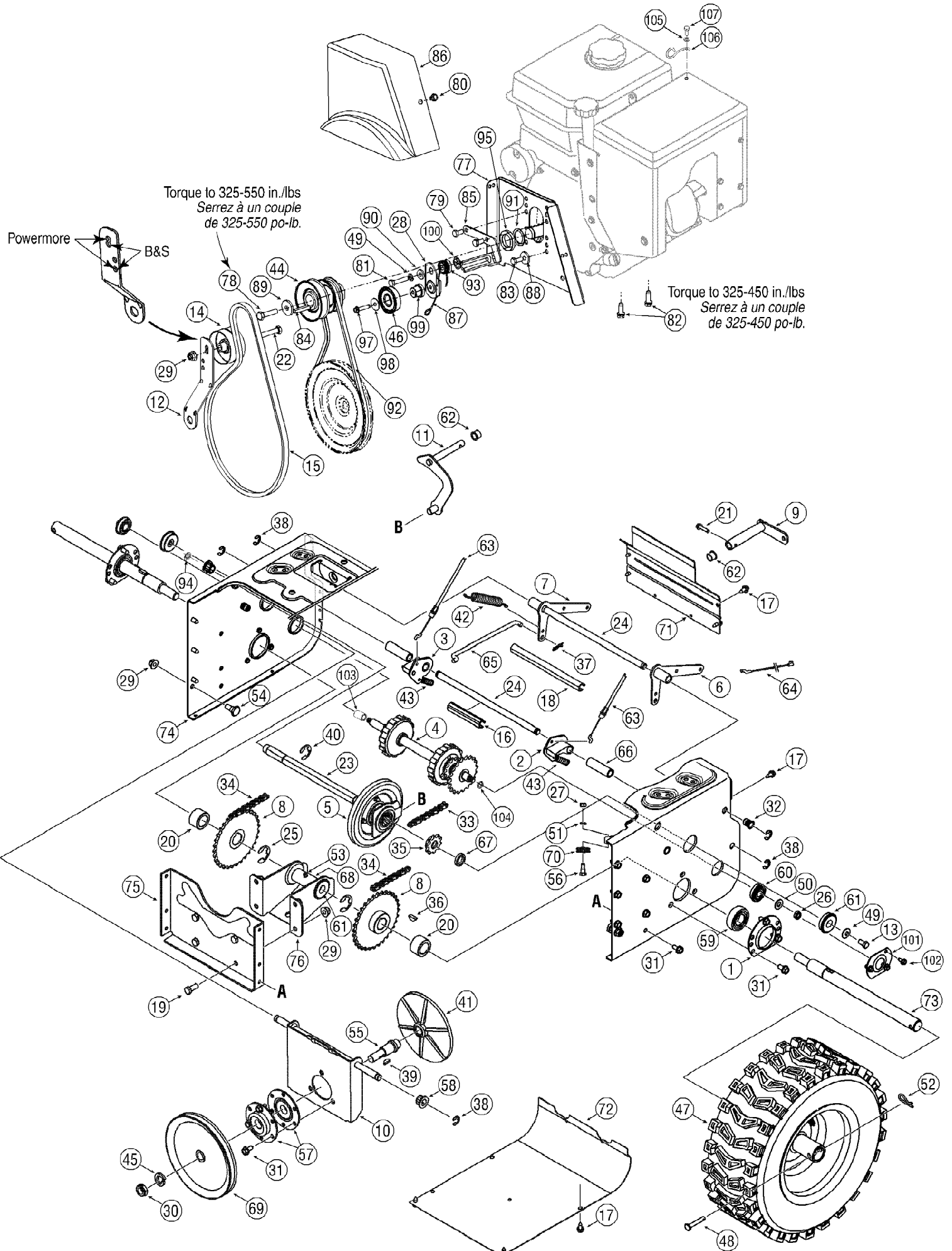
Page 5 of 27

Ref #	Part Number	Qty	S/P/F	Description
1	784-5604A-0637	1	/P	Chute Tilt Handle
2	646-0012	1		Cable Ass'y (Auger/Drive)
3	684-04309A-0637	1	/P	Lower Chute Crank Assembly
4	705-5218	1		Engagement Handle RH Black
5	705-5219	1		Engagement Handle LH Black
6	705-5266-0637	1	/P	Upper Chute Crank Support
7	710-0458	1	/P	Carriage Bolt 5/16-18 x 1.75" Lg.
8	710-0572	1	/P	Carriage Bolt 5/16-18 X 2.50
9	784-5594-0637	1	/P	Cable Bracket Chute Tilt
10	710-1625	1		Screw, #10-24 x 1.75
11	710-04682	1	/P	Hex Screw 3/8-16 x 2.0 Gr. 5
12	710-3118	1		Hex TT Screw 3/8-16 x .75
13	710-3015	1	/P	Hex Cap Bolt 1/4-20 x .75" Lg.
14	911-0677	1	/P	Adjustment Ferrule
15	784-5679-0637	1	/P	LH Handle Support Brkt. 5/8"
16	712-04064	1	/P	Hex L-Flanged Nut 1/4-20 Gr. F Nylon
18	914-0101	1	/P	Internal Cotter Pin
19	914-0104	1	/P	Int. Cotter Pin .072 x 1.13" Lg.
20	720-0201A	1	/P	Knob 1.0 x 3.2
21	720-04039	1		Shift Knob
22	720-04072A	1	/P	Knob
23	725-0157	1	/P	Cable Tie
24	784-5682-0637	1	/P	RH Handle Support Brkt. 3/8"
25	784-5681	1	/P	LH Handle Support Brkt. 3/8"
26	926-0100	1	/P	Push Nut 3/8" Rod
27	948-0363	1	/P	Cam Lock Pawl
28	736-0105	1	/P	Cupped Washer .375 ID x .870 OD x .063
29	936-0185	1	/P	Flat Washer .406" I.D. x .75" O.D.
30	736-0242	1	/P	Cupped Washer .345 ID x .88 OD x .06
31	936-0275	1	/P	Flat Washer .34 ID x .688 OD x .065
32	941-0475	1	/P	Plastic Bushing .380 ID
33	746-0950A	1	/P	Steering Trigger
34	747-0624-0637	1	/P	Upper Chute Crank Assembly
35	747-0983A	1	/P	Lower Shift Rod
36	747-0997	1		Upper Shift Rod
37	784-5680-0637	1	/P	RH Handle Support Brkt. 5/8"
38	749-0989A-0637	1	/P	Upper Handle LH
39	749-0990A-0637	1	/P	Upper Handle RH
40	749-0991-0637	1		Lower Handle
41	950-0963	1	/P	Connector - Shift Rod
42	684-0102A-0637	1		Handle Panel Support Ass'y
43	710-0276	1	/P	Carriage Bolt 5/16-18 x 1.00" Lg
44	710-0458	1	/P	Carriage Bolt 5/16-18 x 1.75" Lg.
45	710-0459A	1	/P	Hex Scr 3/8-24 x 1.50
46	710-0597	1	/P	Screw 1/4-20 x 1.0
47	710-0599	1	/P	Hex Wash S-Tapp Scr 1/4-20 x .50
48	710-0805	1	/P	Hex Bolt 5/16-18 x 1.50" Lg. Gr. 5
49	710-0895	1		Hex Tapp Scr 1/4 x .75" Lg.
50	711-0653	1	/P	Clevis Pin .31 Dia. x 1.0" Lg.
51	912-0116	1	/P	Hex Nut 3/8-24
52	748-0362	1		Cam Handle Lock
53	914-0507	1	/P	Cotter Pin 3/32 x .75
54	731-0846C			

31AH9575897 (2009)
Chute & Handle Assembly

Page 6 of 27

Ref #	Part Number	Qty	S/P/F	Description
55	731-0851A	1	/P	Chute Flange Keeper
56	731-0903E	1	/P	Lower Chute
57	731-1313C	1	/P	Cable Guide
58	732-0145	1	/P	Compression Spring .62 OD x 6.12" Lg.
59	732-0193	1	/P	Compression Spring .38 ID x .88 Lg
60	732-0746	1		Torsion Spring
61	935-0199A	1	/P	Rubber Bumper
62	784-5619B-0637	1	/P	Shift Lever
63	936-0231	1	/P	Flat Washer .344 ID x 1.125 OD x .125
64	936-0119	1	/P	L-Wash 5/16 ID
65	736-0509	1		Flat Washer (special) .350 sq. x .72 x .134
66	746-0902	1	S	Chute Control Cable 66"
67	746-0903	1	S	Chute Control Cable w/clip
68	747-0877	1		Cam Rod
69	712-04063	1	/P	Hex L-Flanged Nut 5/16-18 Gr. F Nylon
70	936-0159	1	/P	Flat Washer .349 ID x .879 OD x .063
71	912-3009	1	/P	Hex Patch L-Nut 5/16-18
72	715-04095	1		Spiral Pin .156 Diam x .80" Lg.
73	684-04350	1		Joint Block Ass'y
74	684-04308A	1	/P	Chute Crank Assembly



31AH9575897 (2009)
Drive Assembly

Page 8 of 27

Ref #	Part Number	Qty	S/P/F	Description
1	05244B	1	/P	Bearing Housing
2	618-0279	1	S	LH Dog Assembly
3	618-0280	1	S	RH Dog Assembly
4	918-0282E	1	/P	Steering Shaft Assembly
5	918-04178	1	/P	Wheel Ass'y Bearing 6.0" OD
5	718-04034	1		Friction Wheel Bonded
5	710-0896	1	/P	Hex Wash. Hd. TT Scr. 1/4-14 x .625
6	684-0118B-0637	1	/P	Actuator Auger Bracket Ass'y
7	684-0119B-0637	1	/P	Actuator Drive Bracket Ass'y
8	684-04235	1		32T Sprocket Ass'y
9	684-0161-0637	1	/P	Shift Arm Ass'y
10	684-04212-0637	1	/P	Friction Drive Support
11	984-04103	1	/P	Shift Ass'y Rod
12	784-0385C	1	/P	Auger Idler Bracket
13	710-0538	1	/P	Hex L-Bolt 5/16-18 x .62
14	756-0178	1		Flat Idler Pulley
15	954-04194A	1	/P	V-Belt 4L x 44.6" Lg.
16	750-04718	1		Spacer .51 ID x 3.66" Lg.
17	710-1652	1	/P	Hex Wash Hd TT Scr. 1/4-20 x .625
18	750-04717	1		Spacer .51 ID x 7.895" Lg.
19	710-3001	1	/P	Hex Hd. C-Sunk Scr. 3/8-16 x .880 Gr. 5
20	750-04703	1		Spacer 1.0 ID x 1.5" Lg.
21	710-0788	1	/P	Hex Bolt 1/4-20 x 1.00
22	710-0347	1	/P	Hex Screw 3/8-16 x 1.75
23	911-04279	1	/P	Hex Drive Shaft
24	711-04605	1		Actuator Shaft
25	716-04048	1		Retaining Ring
26	912-0116	1	/P	Hex Nut 3/8-24
27	912-0138	1	/P	Hex Nut 1/4-28
28	790-00208C	1	/P	Drive Idler Bracket
29	712-04065	1	/P	Flange L-Nut 3/8-16 Gr. F Nylon
30	912-0413	1	/P	Hex Jam Locknut 5/8-18 Gr. 5 Nylon
31	710-04484	1		TT Screw, 5/16-18 x .75
32	712-0717	1		Nut Insert 3/8-16 UNC
33	713-0284	1		#41 Chain 1/2" pitch x 36 links - Endless
34	713-0286	1	/P	#420 Chain 1/2" pitch x 40 links - Endless
35	913-04015	1	/P	10T Sprocket #41 x .500
36	914-0135	1	/P	Woodruff Key
37	914-0104	1	/P	Int. Cotter Pin 5/16 DIA
38	916-0104	1	/P	E-ring
39	914-0388	1	/P	No. 61 Hi-Pro Key 3/16 x 5/8
40	716-0136	1		Retaining Ring E-Type .875 dia.
41	917-0302	1	/P	Aluminum Drive Plate
42	932-0121	1	/P	Idler Extension Spring
43	932-0209	1	/P	Extension Spring .47 OD x 2.03 Lg.
44	756-04351	1		Pulley, Dbl (w/357 cc Powermore engine)
45	936-0158	1	/P	Lockwasher 5/16 ID
46	684-04169	1		Idler Pulley Ass'y
47	634-0225A-0911	1		Wheel Assembly - LH (30" & 33")
47	634-0226A-0911	1	/P	Wheel Assembly - RH (30" & 33")
47	734-2031	1		Tire (30" & 33") Not shown
47	734-1124A-0662	1	/P	Rim (30" & 33") Not shown
47	634-04179A-0911	1		Wheel Assembly - LH (28")

31AH9575897 (2009)
Drive Assembly

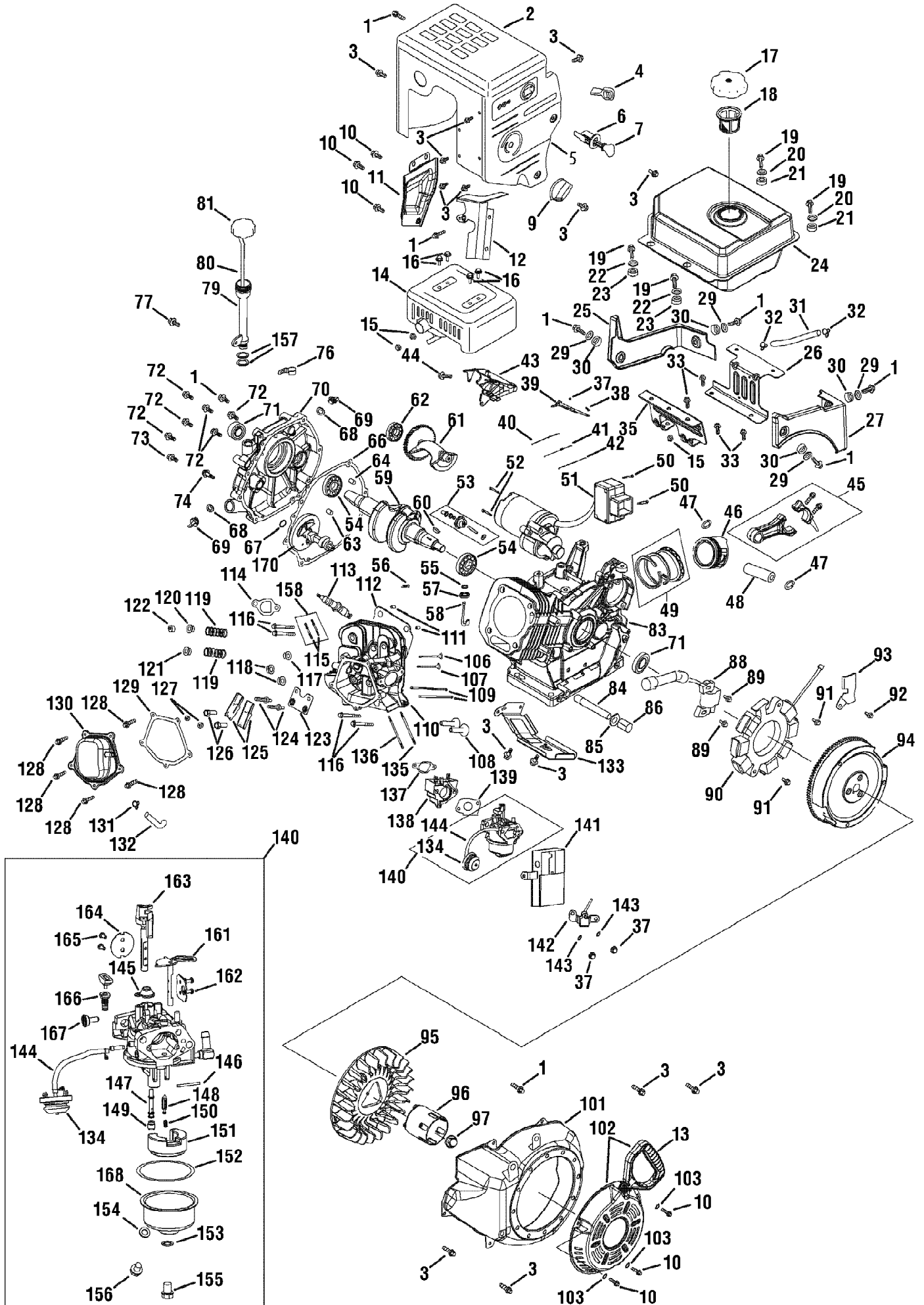
Page 9 of 27

Ref #	Part Number	Qty	S/P/F	Description
47	634-04180A-0911	1		Wheel Assembly - RH (28")
47	734-2038-0901	1	/P	Tire (28") Not shown
47	734-1532A-0662	1		Rim (28") Not shown
47	741-0246A	1		Bearing Not shown
47	934-0255	1	/P	Air Valve Not shown
48	711-04615	1		Clevis Pin
49	736-0242	1	/P	Cupped Washer .345 ID x .88 OD x .06
50	936-0300	1	/P	Flat Washer .385 ID x .87 OD x .06
51	936-0329	1	/P	L-Wash 1/4 ID
52	914-0149B	1	/P	Int. Cotter Pin
53	937-3000	1	/P	Grease
54	738-0143	1	/P	Shld. Scr. .500 Dia. x .335" Lg.
55	738-0279	1		Drive Plate Spindle
56	738-0924A	1	/P	Hex Shld.Scr.1/4-28 x .375
57	741-0163A	1	/P	Bearing Hsg. Ass'y.
58	741-04108	1		Hex Flange Bearing
59	941-04025	1	/P	Self aligning brg. 1.0 ID
60	741-0747	1		Ball Bearing .5625 ID x 1.3750 x .4375
61	941-0563	1	/P	Ball Bearing w/snap ring
62	741-0748	1		Flange Bushing .500 ID x .627 OD
63	746-0949A	1	/P	Steering Cable
64	746-0951	1	S	Auger Idler Cable
65	747-0973	1		Drive Clutch Rod
66	750-0903B	1	/P	Split Spacer 1/2 x 5/8 x 2.69
67	950-0997	1	/P	Spacer .625 ID x 1.0 OD x .23
68	750-1302B	1		Spacer .6725ID x 1.125OD x 2.485
69	756-0344	1	/P	1/2" "V" Pulley .625 ID x 7.50 OD
70	756-0625	1		Cable Guide Roller
71	790-00257-0606	1		Upper Frame Cover
72	790-00259-0606	1		Lower Frame Cover
73	711-04608	1	/P	Axle .995 x 12.6" Lg. (28")
73	711-04607	1		Axle.995 x 14.10" Lg (30" & 33")
74	790-00349-0606	1		Transmission Frame Ass'y (900)
75	784-0406A-0637	1	/P	Frame Support Bracket
76	784-0407-0637	1	/P	Axle Brg. Support Bracket
77	790-00254A-0637	1	/P	Belt Cover Bracket
78	710-0191	1	/P	Hex Screw 3/8-24 x 1.25 Gr. 8 (Powermore)
79	710-0157	1	/P	Hex Screw 5/16-24 x .75 Gr. 5
80	710-0607	1	/P	Hex Wash HD S-Tapp Scr 5/16-18 x .50
81	710-0624	1	/P	Hex HD. Cap Scr. 5/16-24 x 1.5 Lg. Gr. 5
82	710-0654A	1	/P	Hex Wash HD Tap Scr 3/8-16 x 1.00
83	710-1245B	1	/P	Hex Hd.Cap Scr. 5/16-24 x 0.875 Gr. 8
84	714-0118	1	/P	Square Key 1/4 x 1/4 x 1.50" Lg.
85	790-00167A-0637	1	/P	Belt Keeper Bracket
86	931-2531	1	/P	Belt Cover
87	732-04308A	1	/P	Torsion Spring .850 x 3.33" Lg.
88	748-0234	1	/P	Shoulder Spacer .25 THK
89	736-0247	1	/P	Flat Washer .406 ID x 1.25 OD x .160
90	748-04112B	1	/P	Shoulder Spacer .3175 x .5 x .094
91	750-05316	1		Flat Washer 1.015 x 1.375 x .062 (w/Powermore)
92	954-0367	1	/P	V-Belt 3/8 x 34.4" Lg.

31AH9575897 (2009)
Drive Assembly

Page 10 of 27

Ref #	Part Number	Qty	S/P/F	Description
93	750-04821	1		Shoulder Spacer .340 x 1.0
94	726-0221	1	/P	Speed Nut .50
95	750-05318	1		Spacer 1.004 x 1.375 x .25 (w/357 cc Powermore)
97	710-0809	1		Hex Bolt 1/4-20 x 1.25
98	736-3092	1	/P	Flat Washer .265 ID x 1.0 OD x 0.030 HT
99	750-04571	1		Shoulder Spacer
100	926-04012	1	/P	Push on Nut
101	784-0404	1		Bearing Retaining Bracket
102	710-0599	1	/P	Hex Wash S-Tapp Scr 1/4-20 x .50
103	750-05343	1		Spacer .566 ID x .87 OD x 1.25
104	750-05342	1		Spacer .566 ID x .87 OD x 0,190
105	936-0264	1	/P	Flat Washer .330 ID x .630 OD x .0635
106	732-04677	1		Cable Guide
107	710-04022	1		Hex Hd. Cap Scr. MB-1.25:20 Gr. 8



Ref #	Part Number	Qty	S/P/F	Description
1	951-11012	1		Bolt, M6 X 16
2	951-11339	1	/P	Muffler Shield
3	710-04915	1		Bolt, M6x12, Zinc Coating
4	951-11224	1	/P	Throttle Control Knob
5	951-11595	1	/P	Control Panel
6	951-10637	1	/P	Ignition Switch Assembly
7	731-05632	1		Key
9	951-11302	1	/P	Choke Knob
10	710-04914	1		Bolt, Flange, M6x10
11	951-11181	1	/P	Muffler Baffle
12	951-11321	1	/P	Carburetor Heat Shield
13	731-05696	1		Starter Handle
14	951-11338	1	/P	Muffler Assembly
15	712-04219	1		Nut, M8 - 1.25
16	710-05051	1		Bolt
17	951-10649	1	/P	Fuel Cap
18	951-10652	1	/P	Fuel Filter
19	710-04970	1		Flange Bolt, M8 X 20
20	736-04450	1		Flat Washer
21	750-05312	1		Bushing
22	736-04451	1		Flat Washer
23	750-05313	1		Bushing
24	951-11201	1	/P	Fuel Tank
25	951-11319	1	/P	Fuel Tank Shroud
26	951-11318	1	/P	Fuel Tank Mounting Bracket
27	951-11189	1	S	Engine Shroud
29	736-04452	1		Flat Washer
30	750-05314	1		Bushing
31	N/A	1		Fuel Line Furnish 951-11336, Fuel Line Kit
32	N/A	2		Fuel Line Clamp Furnish 951-11336, Fuel Line Kit
33	710-04921	1		Bolt, Flange, M8x14
35	951-11182	1	/P	Fuel Tank Mounting Bracket
37	712-04211	1	S	Nut, Flange, M6
38	710-04908	1		Bolt, M6x21, Governor Arm
39	951-11307	1	/P	Governor Arm Bracket
40	951-11306	1	/P	Governor Spring
41	951-11203	1	/P	Throttle Return Spring
42	951-11309	1	/P	Governor Rod
43	951-11311	1	/P	Throttle Control Assembly
44	710-04916	1		Bolt, Flange, M6 x 14
45	N/A	1		Connecting Rod Ass'y Complete Furnish 951-11328, Shortblock Assembly
46	N/A	1		Piston Furnish 951-11328, Shortblock Assembly
47	N/A	2		Piston Pin Clip Furnish 951-11328, Shortblock Assembly
48	N/A	1		Piston Pin Furnish 951-11328, Shortblock Assembly

31AH9575897 (2009)
Engine Assembly 483-SU

Page 13 of 27

Ref #	Part Number	Qty	S/P/F	Description
49	N/A	1		Piston Ring Set - Complete Furnish 951-11328, Shortblock Assembly
50	710-04965	1		Screw, M4 X 55
51	951-11196	1	/P	Electric Starter
52	710-04967	1		Flange Bolt, M8 X 55
53	N/A	1		Governor Assembly Furnish 951-11328, Shortblock Assembly
54	951-11373	1	/P	Bearing
54	951-11373	1	/P	Bearing Furnish 951-11340, Crankcase Cover Kit
54	951-11373	2	/P	Bearing Furnish 951-11342, Crankshaft Assembly
54	951-11373	2	/P	Bearing Furnish 951-11328, Shortblock Assembly
54	951-11373	1	/P	Bearing Furnish 951-11341, Crankcase Kit
55	736-04453	1		Governor Shaft Washer
55	736-04453	1		Governor Shaft Washer Furnish 951-11328, Shortblock Assembly
56	714-04077	1		Governor Shaft Clip
56	714-04077	1		Governor Shaft Clip Furnish 951-11328, Shortblock Assembly
57	N/A	1		Oil Seal - Governor Shaft Furnish 951-11328, Shortblock Assembly
57	N/A	1		Oil Seal - Governor Shaft Furnish 951-11341, Crankcase Kit
57	N/A	1		Oil Seal - Governor Shaft Furnish 951-11330, Complete Gasket Kit
58	951-11365	1	/P	Governor Arm Shaft
58	951-11365	1	/P	Governor Arm Shaft Furnish 951-11328, Shortblock Assembly
59	N/A	1		Crankshaft Assembly Furnish 951-11342, Crankshaft Assembly
59	N/A	1		Crankshaft Assembly Furnish 951-11328, Shortblock Assembly
60	951-10307	1	/P	Flywheel Key
60	951-10307	1	/P	Flywheel Key Furnish 951-11373, Crankshaft Assembly
60	951-10307	1	/P	Flywheel Key Furnish 951-11328, Shortblock Assembly
61	N/A	1		Balance Shaft Furnish 951-11328, Shortblock Assembly
62	N/A	1		Bearing Furnish 951-11328, Shortblock Assembly
63	715-04102	1		Dowel Pin

31AH9575897 (2009)
Engine Assembly 483-SU

Page 14 of 27

Ref #	Part Number	Qty	S/P/F	Description
63	715-04102	1		Dowel Pin Furnish 951-11328, Shortblock Assembly
64	715-04096	1		Dowel Pin, 7 X 14
64	715-04096	1		Dowel Pin, 7 x 14 Furnish 951-11328, Shortblock Assembly
66	951-11376	1	/P	Crankcase Cover Gasket
66	951-11376	1	/P	Crankcase Cover Gasket Furnish 951-11340, Crankcase Cover Kit
66	951-11376	1	/P	Crankcase Cover Gasket Furnish 951-11328, Shortblock Assembly
66	951-11376	1	/P	Crankcase Cover Gasket Furnish 951-11330, Complete Gasket Kit
67	736-04476	1		Washer
67	736-04476	1		Washer Furnish 951-11340, Crankcase Cover Kit
67	736-04476	1		Washer Furnish 951-11328, Shortblock Assembly
68	N/A	1		O-Ring Furnish 951-11345, Oil Filler Plug Assembly
69	N/A	1		Oil Fill Plug Furnish 951-11345, Oil Filler Plug Assembly
70	N/A	1		Crankcase Cover Furnish 951-11340, Crankcase Cover Kit
70	N/A	1		Crankcase Cover Furnish 951-11328, Shortblock Assembly
71	751-11375	1	S	Oil Seal - PTO Side
71	951-11375	1	/P	Oil Seal - PTO Side Furnish 951-11340, Crankcase Cover Kit
71	951-11375	2	/P	Oil Seal - PTO Side Furnish 951-11373, Crankshaft Assembly
71	951-11375	2	/P	Oil Seal - PTO Side Furnish 951-11328, Shortblock Assembly
71	951-11375	1	/P	Oil Seal - PTO Side Furnish 951-11341, Crankcase Kit
71	951-11375	2	/P	Oil Seal - PTO Side Furnish 951-11330, Complete Gasket Kit
72	710-04971	1		Flange Bolt, M8 X 38
72	710-04971	7		Flange Bolt, M8 X 38 Furnish 951-11340, Crankcase Cover Kit
72	710-04971	5		Flange Bolt, M8 X 38 Furnish 951-11328, Shortblock Assembly
73	710-04972	1		Bolt, M8 X 45

31AH9575897 (2009)
Engine Assembly 483-SU

Page 15 of 27

Ref #	Part Number	Qty	S/P/F	Description
73	710-04972	1		Bolt, M8 X 45 Furnish 951-11340, Crankcase Cover Kit
73	710-04972	1		Bolt, M8 X 45 Furnish 951-11328, Shortblock Assembly
74	710-05052	1		Bolt, M8 X 35
74	710-05052	2		Bolt, M8 X 35 Furnish 951-11328, Shortblock Assembly
76	951-11320	1	/P	Oil Tube Support Bracket
77	710-04968	1	/P	Flange Bolt M6 X 16
79	951-11206	1	/P	Dipstick Tube
80	N/A	1		Dipstick Furnish 951-11205, Dipstick Assembly
81	N/A	1		Oil Cap Furnish 951-11205, Dipstick Assembly
83	N/A	1		Crankcase Furnish 951-11328, Shortblock Assembly
83	N/A	1		Crankcase Furnish 951-11341, Crankcase Kit
84	951-11350	1	/P	Oil Drain Pipe
84	951-11350	1	/P	Oil Drain Pipe Furnish 951-10641, Oil Drain Assembly
84	951-11350	1	/P	Oil Drain Pipe Furnish 951-11328, Shortblock Assembly
85	736-04440	1	/P	Oil Drain Washer
85	736-04440	1	/P	Oil Drain Washer Furnish 951-10641, Oil Drain Assembly
85	736-04440	1	/P	Oil Drain Washer Furnish 951-11328, Shortblock Assembly
85	736-04440	1	/P	Oil Drain Washer Furnish 951-11330, Complete Gasket Kit
85	N/A	1		Oil Drain Washer Furnish 951-11331, External Gasket Kit
86	710-04906	1		Oil Drain Plug
86	710-04906	1		Oil Drain Plug Furnish 951-10641, Oil Drain Assembly
86	710-04906	1		Oil Drain Plug Furnish 951-11328, Shortblock Assembly
88	951-11305	1	/P	Ignition Coil
89	710-04920	1		Bolt, Flange, M6x28
90	951-11216	1	/P	Stator
91	710-04969	1		Flange Bolt, M6 X 30
92	710-04966	1		Flange Bolt, M6 X 8
93	951-11186	1	/P	Alternator Wire Clamp Bracket
94	951-11312	1	/P	Flywheel
95	951-11313	1	/P	Cooling Fan
96	951-11314	1	/P	Starter Cup
97	712-04220	1		

31AH9575897 (2009)
Engine Assembly 483-SU

Page 16 of 27

Ref #	Part Number	Qty	S/P/F	Description
101	951-11211	1	/P	Blower Housing
102	951-11310	1	/P	Recoil Starter Assembly
103	736-04455	1		Flat Washer Recoil
106	N/A	11		Exhaust Valve Furnish 951-11329, Cylinder Head Assembly
106	N/A	1		Exhaust Valve Furnish 951-11337, Valve Kit
107	N/A	1		Intake Valve Furnish 951-11329, Cylinder Head Assembly
107	N/A	1		Intake Valve Furnish 951-11337, Valve Kit
108	N/A	2		Valve Lifter (Tappet) Furnish 951-11328, Shortblock Assembly
109	N/A	2		Push Rod Furnish 951-11335, Push Rod Kit
110	N/A	1		Cylinder Head Furnish 951-11329, Cylinder Head Assembly
111	715-04097	1		Dowel Pin, 12 X 20
111	715-04097	2		Dowel Pin, 12 x 20 Furnish 951-11328, Shortblock Assembly
112	N/A	1		Cylinder Head Gasket Furnish 951-11328, Shortblock Assembly
112	N/A	1		Cylinder Head Gasket Furnish 951-11329, Cylinder Head Assembly
112	N/A	1		Cylinder Head Gasket Furnish 951-11330, Complete Gasket Kit
112	N/A	1		Cylinder Head Gasket Furnish 951-11334, Cylinder Head Kit
113	951-10292	1	/P	Spark Plug
114	951-11212	1	/P	Muffler Gasket
114	951-11212	1	/P	Muffler Gasket Furnish 951-11328, Shortblock Assembly
114	951-11212	1	/P	Muffler Gasket Furnish 951-11329, Cylinder Head Assembly
114	951-11212	1	/P	Muffler Gasket Furnish 951-11330, Complete Gasket Kit
114	951-11212	1	/P	Muffler Gasket Furnish 951-11331, External Gasket Kit
115	710-04964	1		Muffler Stud
115	710-04964	2		Exhaust Stud Furnish 951-11207, Muffler Stud Assembly
115	710-04964	2		Exhaust Stud Furnish 951-11329, Cylinder Head Assembly
116	710-05053	1		Flange Bolt, M10-1.25 X 87
116	710-05053	4		Flange Bolt, M10-1.25 X 87 Furnish 951-11328, Shortblock Assembly

Ref #	Part Number	Qty	S/P/F	Description
116	710-05053	4		Flange Bolt, M10-1.25 X 87 Furnish 951-11329, Cylinder Head Assembly
116	710-05053	4		Flange Bolt, M10-1.25 X 87 Furnish 951-11334, Cylinder Head Kit
117	N/A	1		Intake Valve Seal Furnish 951-11329, Cylinder Head Assembly
117	N/A	1		Intake Valve Seal Furnish 951-11334, Cylinder Head Kit
118	N/A	2		Valve Spring Retainer Furnish 951-11329, Cylinder Head Assembly
119	N/A	2		Valve Spring Furnish 951-11329, Cylinder Head Assembly
120	N/A	1		Valve Spring Retainers -Exhaust Furnish 951-11329, Cylinder Head Assembly
121	N/A	1		Valve Spring Retainer-Intake Furnish 951-11329, Cylinder Head Assembly
122	N/A	1		Exhaust Valve Cap Furnish 951-11329, Cylinder Head Assembly
123	N/A	1		Push Rod Guide Furnish 951-11329, Cylinder Head Assembly
124	710-04962	1		Rocker Stud Bolt
124	710-04962	2		Rocker Stud Bolt Furnish 951-11329, Cylinder Head Assembly
125	N/A	2		Rocker Arm Furnish 951-11329, Cylinder Head Assembly
126	751-11123	1		Pivot Adjusting Nut
126	751-11123	2		Pivot Adjusting Nut Furnish 951-11329, Cylinder Head Assembly
127	751-11124	1		Pivot Locking Nut
127	751-11124	2		Pivot Locking Nut Furnish 951-11329, Cylinder Head Assembly
128	710-05054	1		Bolt -Valve Cover, M6 X 16
129	N/A	1		Valve Cover Gasket Furnish 951-11328, Shortblock Assembly
129	N/A	1		Valve Cover Gasket Furnish 951-11329, Cylinder Head Assembly
129	N/A	1		Valve Cover Gasket Furnish 951-11330, Complete Gasket Kit
129	N/A	1		Valve Cover Gasket Furnish 951-11331, External Gasket Kit
129	N/A	1		Valve Cover Gasket Furnish 951-11334, Cylinder Head Kit

31AH9575897 (2009)
Engine Assembly 483-SU

Page 18 of 27

Ref #	Part Number	Qty	S/P/F	Description
129	N/A	1		Valve Cover Gasket Furnish 951-11333, Valve Cover Kit
130	951-11220	1	/P	Valve Cover
130	951-11220	1	/P	Valve Cover Furnish 951-11333, Valve Cover Kit
131	726-04101	1		Breather Hose Clip
132	951-11221	1	/P	Breather Hose
133	951-11317	1	/P	Cylinder Baffle
134	951-10639	1	S	Primer
134	951-10639	1	S	Primer Furnish 951-11303, Carburetor Assembly
135	710-05055	1		Carburetor Stud, M6 X 8 X 98
135	710-05055	1		Carburetor Stud, M6 X 8 X 98 Furnish 951-11329, Cylinder Head Assembly
136	710-05056	1		Carburetor Stud, M6 X 8 X 118
136	710-05056	1		Carburetor Stud, M6 X 8 X 118 Furnish 951-11329, Cylinder Head Assembly
137	951-11315	1	/P	Intake Gasket
137	951-11315	1	/P	Intake Gasket Furnish 951-11328, Shortblock Assembly
137	951-11315	1	/P	Intake Gasket Furnish 951-11329, Cylinder Head Assembly
137	951-11315	1	/P	Intake Gasket Furnish 951-11330, Complete Gasket Kit
137	951-11315	1	/P	Intake Gasket Furnish 951-11331, External Gasket Kit
138	951-11316	1	/P	Carburetor Insulator
138	951-11316	1	/P	Carburetor Insulator Furnish 951-11328, Shortblock Assembly
138	951-11316	1	/P	Carburetor Insulator Furnish 951-11329, Cylinder Head Assembly
138	951-11316	1	/P	Carburetor Insulator Furnish 951-11330, Complete Gasket Kit
138	951-11316	1	/P	Carburetor Insulator Furnish 951-11331, External Gasket Kit
139	951-11223	1	/P	Carburetor Gasket
139	951-11223	1	/P	Carburetor Gasket Furnish 951-11330, Complete Gasket Kit
139	951-11223	1	/P	Carburetor Gasket Furnish 951-11331, External Gasket Kit
140	951-11303	1	S	Carburetor Assembly
140	951-11303	1	S	Carburetor Assembly (Incl. Ref. No. 134, 145-156, 161-168)
141	951-11304	1	/P	Heater Box
142	951-11192	1	/P	Parts Assembly

31AH9575897 (2009)
Engine Assembly 483-SU

Page 19 of 27

Ref #	Part Number	Qty	S/P/F	Description
143	736-04477	1		Lock Washer
144	951-11324	1	/P	Primer Hose
145	N/A	1		Throttle Pressure Plate Furnish 951-11332, Carburetor Kit Major
145	N/A	1		Throttle Pressure Plate Furnish 951-11303, Carburetor Assembly
146	N/A	1		Float Pin Furnish 951-11332, Carburetor Kit Major
146	N/A	1		Float Pin Furnish 951-11303, Carburetor Assembly
147	N/A	1		Main Nozzle Furnish 951-11332, Carburetor Kit Major
147	N/A	1		Main Nozzle Furnish 951-11303, Carburetor Assembly
148	N/A	1		Needle Valve Furnish 951-11332, Carburetor Kit Major
148	N/A	1		Needle Valve Furnish 951-11303, Carburetor Assembly
149	N/A	1		Main Jet Furnish 951-11332, Carburetor Kit Major
149	N/A	1		Main Jet Furnish 951-11303, Carburetor Assembly
150	N/A	1		Needle Valve Spring Furnish 951-11332, Carburetor Kit Major
150	N/A	1		Needle Valve Spring Furnish 951-11303, Carburetor Assembly
151	N/A	1		Float Furnish 951-11332, Carburetor Kit Major
151	N/A	1		Float Furnish 951-11303, Carburetor Assembly
152	N/A	1		Bowl Gasket Furnish 951-11332, Carburetor Kit Major
152	N/A	1		Bowl Gasket Furnish 951-11303, Carburetor Assembly
153	951-11348	1	/P	Fuel Bowl Gasket
153	951-11348	1	/P	Fuel Bowl Gasket Furnish 951-11332, Carburetor Kit Major
153	951-11348	1	/P	Fuel Bowl Gasket Furnish 951-11303, Carburetor Assembly
154	951-11349	1	/P	Fuel Drain Plug Gasket
154	951-11349	1	/P	Fuel Drain Plug Gasket Furnish 951-11332, Carburetor Kit Major

31AH9575897 (2009)
Engine Assembly 483-SU

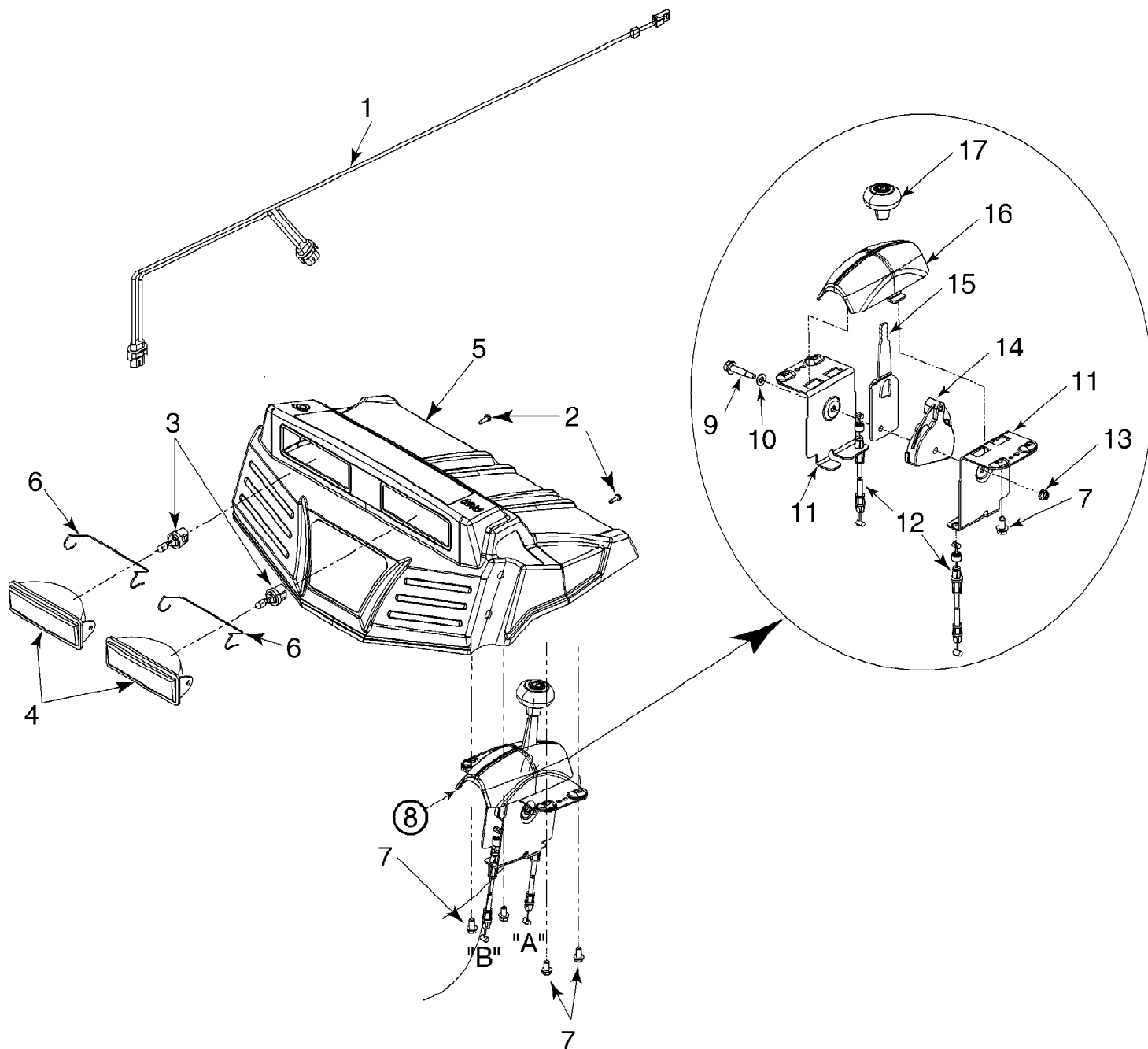
Page 20 of 27

Ref #	Part Number	Qty	S/P/F	Description
154	951-11349	1	/P	Fuel Drain Plug Gasket Furnish 951-11303, Carburetor Assembly
155	710-04945	1		Fuel Bowl Mounting Bolt
155	710-04945	1		Fuel Bowl Mounting Bolt Furnish 951-11303, Carburetor Assembly
156	710-04903	1	S	Fuel Drain Plug
156	710-04903	1	S	Fuel Drain Plug Furnish 951-11303, Carburetor Assembly
157	951-11381	1	/P	O-Ring
158	951-11207	1	/P	Muffler Stud Assembly (Incl. Ref. No. 115)
161	N/A	1		Choke Shaft Furnish 951-11303, Carburetor Assembly
162	N/A	1		Choke Plate Furnish 951-11303, Carburetor Assembly
163	N/A	1		Throttle Shaft Furnish 951-11303, Carburetor Assembly
164	N/A	1		Throttle Plate Furnish 951-11303, Carburetor Assembly
165	N/A	2		Screw Furnish 951-11303, Carburetor Assembly
166	N/A	1		Idle Jet Assembly Furnish 951-11303, Carburetor Assembly
167	N/A	1		Idle Speed Adjusting Screw Furnish 951-11303, Carburetor Assembly
168	N/A	1		Fuel Bowl Furnish 951-11303, Carburetor Assembly
170	N/A	1		Camshaft Assembly Furnish 951-11328, Shortblock Assembly
	951-10641	1	/P	Oil Drain Assembly Not Shown (Incl. Ref. No. 84-86)
	951-10651	1	/P	Fuel Tank Nipple Not Shown
	951-11205	1	/P	Dipstick Assembly Not Shown (Incl. Ref. No. 80-81)
	951-11328	1	/P	Shortblock Assembly Not Shown (Incl. Ref. No. 45-49, 53-67, 70-74, 83-86, 108, 111-112, 114, 116, 129, 137, 138, 170)
	951-11329	1	/P	Cylinder Head Assembly Not Shown (Incl. Ref. No. 106, 107, 110, 112, 114-127, 129, 135-138)
	951-11330	1	/P	Gasket Kit - Complete Not Shown (Incl. Ref. No. 57, 66, 71, 85, 112, 114, 129, 137-139)
	951-11331	1	/P	Gasket Kit - External Not Shown (Incl. Ref. No. 85, 114, 129, 137-139)

31AH9575897 (2009)
Engine Assembly 483-SU

Page 21 of 27

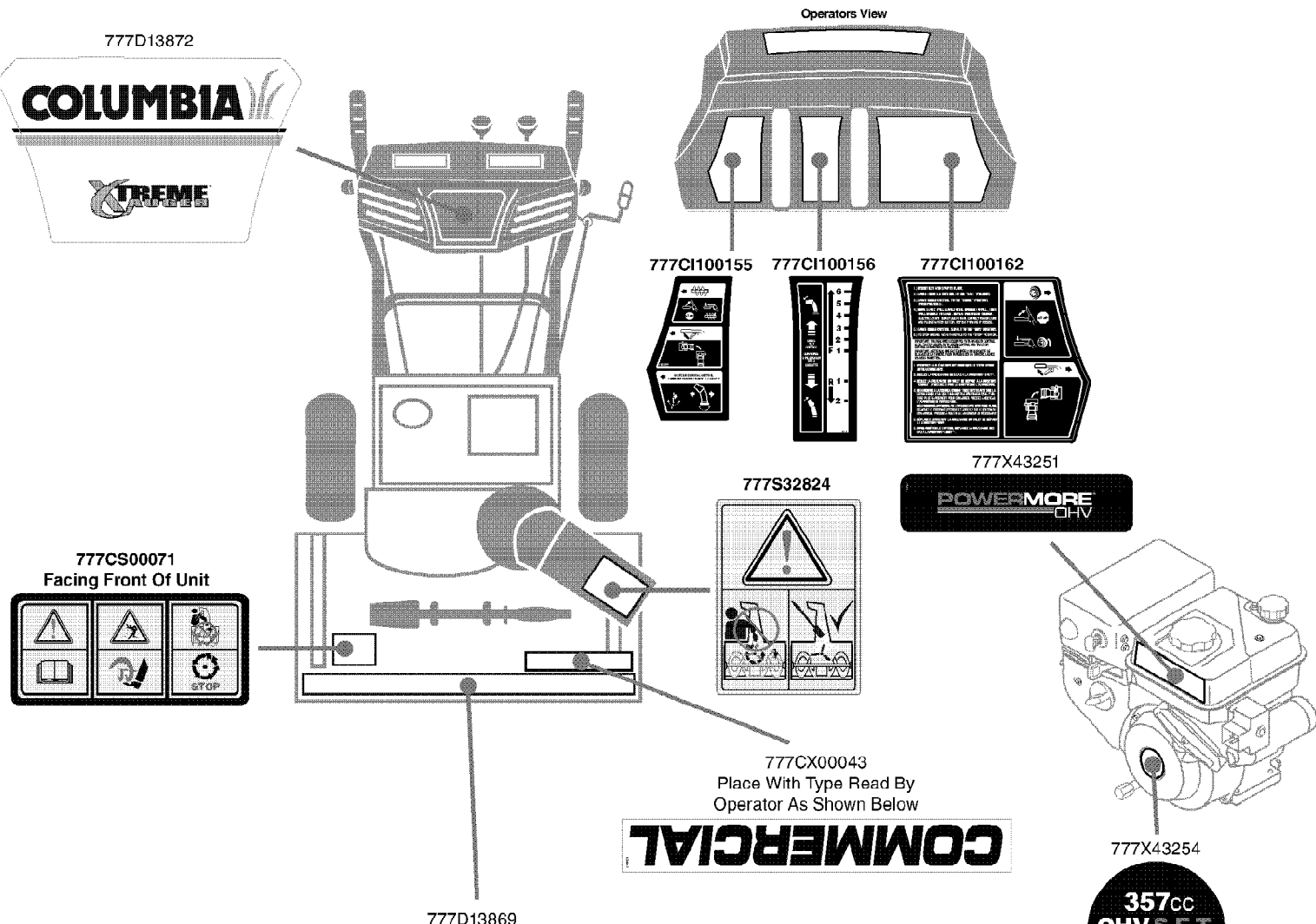
Ref #	Part Number	Qty	S/P/F	Description
	951-11332	1	/P	Carburetor Kit -Major Not Shown (Incl. Ref. No. 145-154)
	951-11333	1	/P	Valve Cover Kit Not Shown (Incl. Ref. No. 129-130)
	951-11334	1	/P	Cylinder Head Kit Not Shown (Incl. Ref. No. 112, 116-117, 129)
	951-11335	1	/P	Push Rod Kit Not Shown (Incl. Ref. No. 109)
	951-11336	1	/P	Fuel Line Kit Not Shown (Incl. Ref. No. 31-32)
	951-11337	1	/P	Valve Kit Not Shown (Incl. Ref. No. 106-107)
	951-11340	1	/P	Crankcase Cover Kit Not Shown (Incl. Ref. No. 54, 66, 67, 70, 71, 72 & 73)
	951-11341	1	/P	Crankcase Kit Not Shown (Incl. Ref. No. 54, 57, 71 & 83)
	951-11342	1	/P	Crankshaft Kit Not Shown (Incl. Ref. No. 54, 59, 60 & 71)
	951-11345	1	/P	Oil Filler Plug Assembly Not Shown (Incl. Ref. No. 68-69)
	752Z483-SU	1	S	Engine Complete Not Shown



31AH9575897 (2009)
Handle Panel

Page 23 of 27

Ref #	Part Number	Qty	S/P/F	Description
1	629-04010A	1		Wire Harness
2	710-1003	1	/P	Hex Tapp Wash Hd. Scr. #10 x 5/8
3	925-1658	1	/P	Bulb #890, 12 V, 27 Watt
4	925-1672	1	/P	Head light Housing
5	731-04069	1		Black Handle Panel
6	747-1136	1	/P	Retainer
7	710-04187	1	/P	Hi-Lo Screw 1/4-15 x .5
8	984-04230	1	/P	2 Way Chute Control Assembly
9	738-04185	1		Flg Shlder Sscrew .310 x .995: 1/4-20
10	736-0413	1	/P	Spring Washer .390 x .625 x .012
11	790-00200-0637	1		Mounting Bracket - 2 Way
12	746-04338	1		Cable - w/standard chute
13	712-04064	1	/P	Hex L-Flanged Nut 1/4-20 Gr. F Nylon
14	731-1313C	1	/P	Cable Guide
15	790-00210A-0637	1		Lever - 2 Way
16	731-05307	1		Control Cover - 2 Way
17	720-04039	1		Knob



777D13870

COLUMBIA **TREME** **REMOTE CHUTE CONTROL • COMMANDE DE LA GOULOTTE** **10528GC**
ELECTRIC START • DÉMARRAGE ÉLECTRIQUE
OHV • S.E.T.
Power Steering / Direction assistée

777D13871

COLUMBIA **TREME** **REMOTE CHUTE CONTROL • COMMANDE DE LA GOULOTTE** **11530GC**
ELECTRIC START • DÉMARRAGE ÉLECTRIQUE
OHV • S.E.T.
Power Steering / Direction assistée

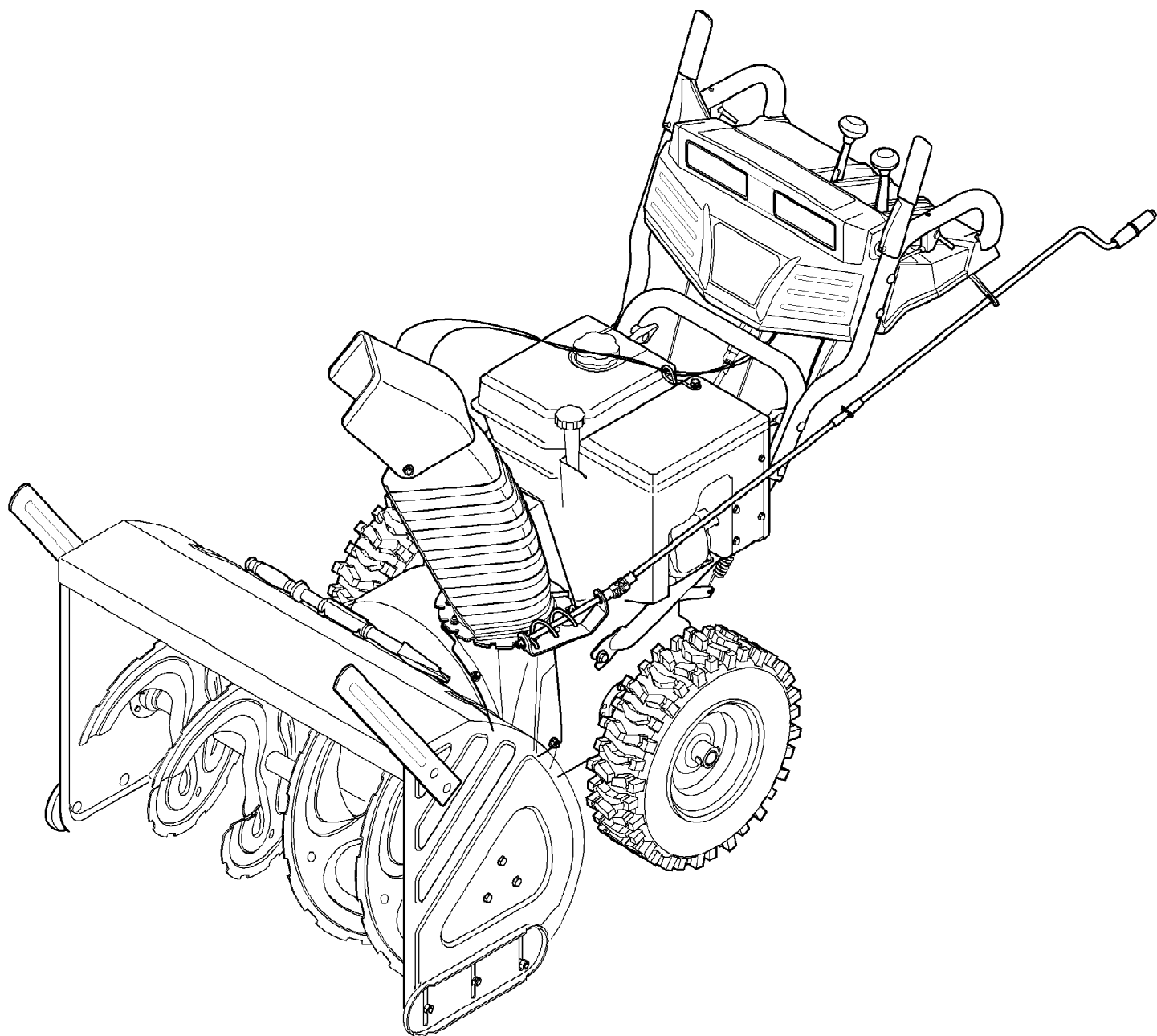
777D13871

COLUMBIA **TREME** **REMOTE CHUTE CONTROL • COMMANDE DE LA GOULOTTE** **12533GC**
ELECTRIC START • DÉMARRAGE ÉLECTRIQUE
OHV • S.E.T.
Power Steering / Direction assistée

31AH9575897 (2009)
Label Map

Page 25 of 27

Ref #	Part Number	Qty	S/P/F	Description
777D13872	777D13872	1		LABEL-SNOW 7PNL:COLUM
777CS00071	777CS00071	1		LABEL-DANGER AUGER
777D13869	777D13869	1		LABEL-SNOW AUGR:COLUM 28" GC Model 31AH9574897
777D13870	777D13870	1		LABEL-SNOW AUGR:COLUM 30" GC Model 31AH9575897
777D13871	777D13871	1		LABEL-SNOW AUGR:COLUM 33" GC Model 31AH9576897
777X43254	777X43254	1		LABEL-SNOW SHROUD 357CC CANADA
777CX00043	777CX00043	1		LABEL-COMMERCIAL
777S32824	777S32824	1		LABEL-SNOW CHUTE EXPORT
777X43251	777X43251	1		LABEL-SNOW SHROUD MTD ENGINE
777CI100162	777CI00162	1		LABEL-SNOW CONTROL PANEL RH
777CI100156	777CI00156	1		LABEL-SNOW CONTROL PANEL
777CI100155	777CI00155	1		LABEL-SNOW CONTROL PANEL STYLE 7



31AH9575897 (2009)
Quick Reference

Page 27 of 27

Ref #	Part Number	Qty	S/P/F	Description
	951-10292	1	/P	Spark Plug
	731-05632	1		Key
	N/A	1		Extension Cord
	731-2643	1	S	Snow Removal Tool
	646-0012	1		Drive Cable
	746-0951	1	S	Auger Idle Cable
	746-0949A	1	/P	Steering Cable
	746-0902	1	S	Chute Control Cable
	746-0903	1	S	Chute Control Cable w/Clip
	746-04338	1		Chute Control Cable w/standard chute
	684-04151-0637	1		Auger Assembly - LH
	684-04152-0637	1		Auger Assembly - RH
	784-5716B-0606	1		Shave Plate 28"
	784-5715B-0606	1		Shave Plate 30"
	784-5714B-0606	1		Shave Plate 33"
	684-0090B-0637	1	/P	Impeller Assembly
	784-5697-0606	1		Slide Shoe
	738-04155	1		Shear Pin
	714-04040	1		Bow Tie Cotter Pin
	925-1672	1	/P	Lamp
	954-04194A	1	/P	Auger Belt
	954-0367	1	/P	Wheel Belt
	N/A	1		Spiral Crescent
	N/A	1		Rubber Paddle
	918-04178	1	/P	Friction Wheel
	718-04034	1		Friction Wheel Rubber
	634-0225A-0911	1		Wheel Assembly - LH (30" & 33")
	634-0226A-0911	1	/P	Wheel Assembly - RH (30" & 33")
	634-04179A-0911	1		Wheel Assembly - LH (28")
	634-04180A-0911	1		Wheel Assembly - RH (28")