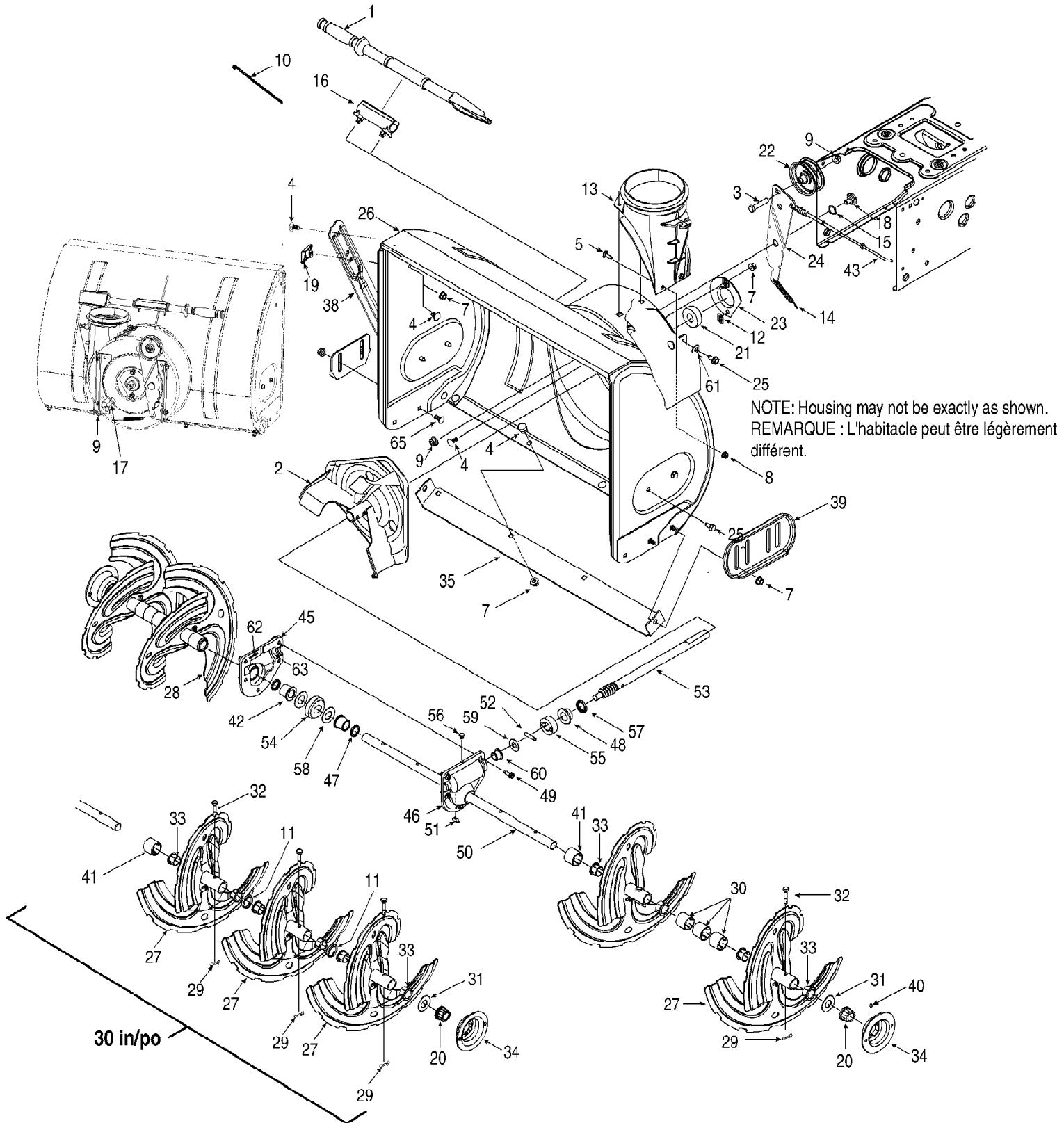


31AH55K4897 (2009)
Auger & Housing Assembly



31AH55K4897 (2009)
Auger & Housing Assembly

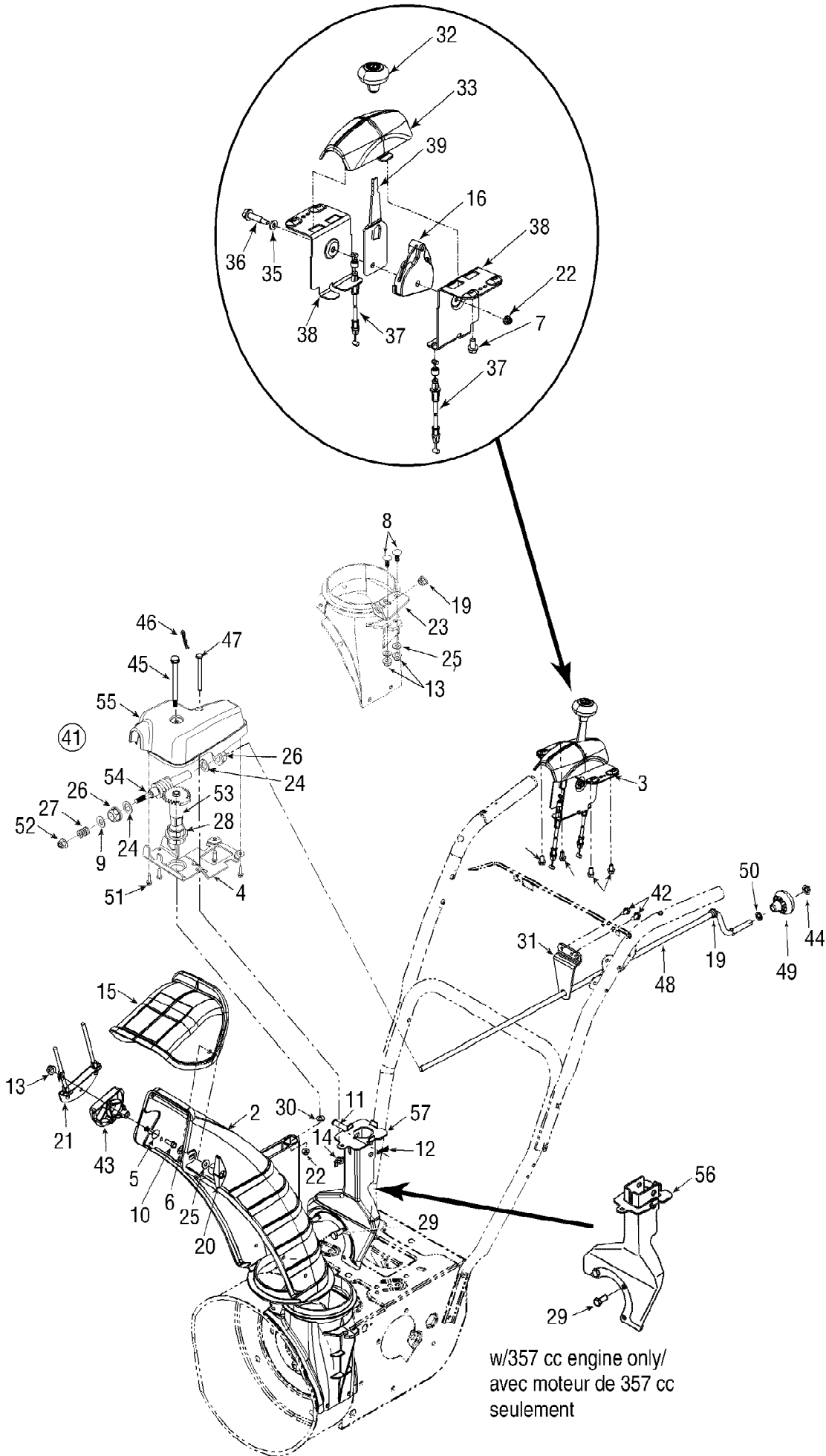
Page 2 of 26

| Ref # | Part Number | Qty | S/P/F | Description |
|-------|-----------------|-----|-------|--|
| 1 | 731-2643 | 1 | S | Clean-Out Tool |
| 2 | 684-04057A-0637 | 1 | /P | Impeller Ass'y 12 po |
| 3 | 710-0347 | 1 | /P | Hex Screw 3/8-16 x 1.75 |
| 4 | 710-0451 | 1 | /P | Carriage Bolt 5/16-18 x .75 |
| 5 | 710-0703 | 1 | /P | Carriage Screw 1/4-20 x .75 Gr. 5 |
| 7 | 712-04063 | 1 | /P | Flange Locknut 5/16-18 Gr. F Nylon |
| 8 | 712-04064 | 1 | /P | Hex L-Flanged Nut 1/4-20 Gr. F Nylon |
| 9 | 712-04065 | 1 | /P | Hex L-Flanged Nut 3/8-16 Gr. F Nylon |
| 10 | 725-0157 | 1 | /P | Cable Tie |
| 11 | 731-04871 | 1 | | Spacer 1.25 x .75 x 3/16" Lg. |
| 12 | 926-04012 | 1 | /P | Push-on Nut .25 dia. |
| 13 | 731-04705C | 1 | /P | Chute Adapter (w/one pc chute crank) |
| 14 | 732-04460 | 1 | | Extension Spring .38 OD x 4.59" Lg. |
| 15 | 736-0174 | 1 | /P | Wave Washer .660 ID x .88 OD x .010 |
| 16 | 731-2635 | 1 | | Cleanout Tool Mount |
| 17 | 738-0143 | 1 | /P | Shld. Scr. .500 Dia. x .335" Lg. |
| 18 | 938-0281 | 1 | /P | Shoulder Scr .625 Dia x .170 |
| 19 | 720-04072A | 1 | /P | Hand Knob |
| 20 | 941-0245 | 1 | /P | Hex. Flange Brg. .751" I.D. |
| 21 | 941-0309 | 1 | /P | Self-aligning Bearing |
| 22 | 756-04224 | 1 | /P | Flat Idler Pulley 2.75" OD |
| 23 | 790-00075 | 1 | | Bearing Housing 1.85 ID |
| 24 | 790-00080A-0637 | 1 | /P | Auger Idler Brake Bracket |
| 25 | 710-04484 | 1 | | Hex TT Screw 3/8-16 x .75 |
| 26 | 684-04265-0606 | 1 | | Auger Housing - 24" Models |
| 26 | 684-04264-0606 | 1 | | Auger Housing - 26" Models |
| 26 | 684-04268-0606 | 1 | | Auger Housing - 28" Models |
| 26 | 684-04267-0606 | 1 | | Auger Housing - 30" Models |
| 27 | 684-04107-0637 | 1 | | Spiral Ass'y LH |
| 28 | 684-04108-0637 | 1 | | Spiral Ass'y RH |
| 29 | 714-04040 | 1 | | Bow Tie Cotter Pin |
| 30 | 731-04870 | 1 | | Spacer 1.25 x .75 x 1.00 - 24-28" Models |
| 30 | 731-04871 | 1 | | Spacer 1.25 x .75 x 2.00 - 30" Models |
| 31 | 736-0188 | 1 | /P | Flat Washer .760 ID x 1.49 OD |
| 32 | 738-04124A | 1 | /P | Shear Pin .25 x 1.5 Gr. 2 |
| 33 | 741-0493A | 1 | /P | Flange Bushing |
| 34 | 790-00087A-0637 | 1 | /P | Bushing Housing |
| 35 | 790-00120 | 1 | | Shave Plate 24" Models |
| 35 | 790-00121 | 1 | | Shave Plate 26"Models |
| 35 | 790-00118 | 1 | | Shave Plate 28" Models |
| 35 | 790-00119 | 1 | | Shave Plate 30" Models |
| 38 | 790-00181-0606 | 1 | | Drift Cutter - Optional |
| 39 | 790-00091-0606 | 1 | | Reversible Slide Shoe (steel) |
| 40 | 937-3000 | 1 | /P | Grease Fitting Optional |
| 41 | 731-04870 | 1 | | Spacer 1.25 x .75 x 1.00 |
| 42 | 741-0661A | 1 | /P | Flange Bearing.75 ID x 1.0 OD x .975 |
| 43 | 746-04230 | 1 | | Auger Clutch Cable |
| 45 | 918-0123A | 1 | /P | RH Reduced Auger Housing |
| 46 | 918-0124A | 1 | /P | LH Reduced Auger Housing |
| 47 | 921-0338 | 1 | /P | Oil Seal .75 x 1.0 x .125 |
| 48 | 741-0662 | 1 | | Flange Bearing .75 ID x 1.00 OD x .50 |
| 49 | 710-0642 | 1 | /P | Thd Forming Scr. 1/4-20 x .75 |
| 50 | 711-04285 | 1 | | Auger Adapter 24" Models |

31AH55K4897 (2009)
Auger & Housing Assembly

Page 3 of 26

| Ref # | Part Number | Qty | S/P/F | Description |
|-------|-------------|-----|-------|---|
| 50 | 711-04284 | 1 | | Auger Axle 26" Models |
| 50 | 711-04283 | 1 | | Auger Axle 28" Models |
| 50 | 711-04282 | 1 | | Auger Axle 30" Models |
| 51 | 914-0161 | 1 | /P | Hi Pro Key 3/16 x 5/8 |
| 52 | 715-04021 | 1 | | Dowel Pin .25 OD x 1.2 |
| 53 | 917-04126 | 1 | /P | Worm Shaft .75 OD |
| 54 | 717-04449 | 1 | S | Worm Gear 24"-26" Models |
| 54 | 917-0528A | 1 | /P | Worm Gear 28"-30" Models |
| 55 | 718-04071 | 1 | | Thrust Collar |
| 56 | 721-0325 | 1 | | Plug, 1/4 x .437 |
| 57 | 721-0327 | 1 | | Oil Seal .75 x 1 x .131 |
| 58 | 936-0351 | 1 | /P | Flat Washer .76 ID x 1.5 OD x .03 |
| 59 | 736-3084 | 1 | /P | Fl. Washer .510 x 1.120 x .060 |
| 60 | 741-0663 | 1 | | Flange Bearing .75 ID x 1.0 OD x .925 |
| 61 | 736-0242 | 1 | /P | Cupped Washer .345 ID x .88 OD x .060 |
| 62 | | 1 | | Loctite Sealant 5699 Purchase locally |
| 63 | 737-0168A | 1 | /P | Grease - Alvania EP Lead Free |
| 65 | 710-0451 | 1 | /P | Carriage Bolt 5/16-18 x .75 (w/steel slide shoes) |
| 67 | 936-0159 | 1 | /P | Flat Washer .349 ID x .879 OD x .063 |
| | 618-04171A | 1 | S | Gear Box Assembly - 24" Models Not Shown |
| | 618-04172A | 1 | S | Gear Box Assembly - 26" Models Not Shown |
| | 618-04173A | 1 | S | Gear Box Assembly - 28" Models Not Shown |
| | 618-04165A | 1 | S | Gear Box Assembly - 30" Models Not Shown |



31AH55K4897 (2009)
Chute Assembly

Page 5 of 26

| Ref # | Part Number | Qty | S/P/F | Description |
|-------|-----------------|-----|-------|--|
| 2 | 731-06440A | 1 | /P | Tall Lower Chute |
| 3 | 984-04325 | 1 | /P | 2 Way Chute Control Assembly |
| 4 | 790-00342A-0637 | 1 | /P | Chute Gear Rotation Bracket |
| 5 | 710-0262 | 1 | /P | Carriage Bolt 5/16-18 x 1.50 Gr. 2 |
| 6 | 710-04071 | 1 | | Carriage Screw 5/16-18 x 1.0 |
| 7 | 710-04187 | 1 | /P | Hi-Lo Screw 1/4-15 x .5 |
| 8 | 710-0276 | 1 | /P | Carriage Bolt 5/16-18 x 1.00" Lg |
| 9 | 736-0267 | 1 | S | Flat Washer .385 x .87 x .06 |
| 10 | 710-0895 | 1 | | Hex Tapp Scr 1/4 x .75" Lg. |
| 11 | 711-04469A | 1 | | Clevis Pin 3/8 x 1.87 |
| 12 | 714-04040 | 1 | | Bow Tie Cotter Pin |
| 13 | 712-04063 | 1 | /P | Flange Locknut 5/16-18 Gr. F Nylon |
| 14 | 712-3087 | 1 | /P | Wing Nut 1/4-20 |
| 15 | 731-04425B | 1 | | Upper Chute w/Export Label, Remote |
| 19 | 941-0475 | 1 | /P | plastic Bushing .380 ID |
| 20 | 720-04072A | 1 | /P | Handle Knob Assembly |
| 21 | 784-5594-0637 | 1 | /P | Cable Bracket Chute Tilt |
| 22 | 712-04064 | 1 | /P | Hex L-Flanged Nut 1/4-20 Gr. F Nylon |
| 23 | 784-5647-0637 | 1 | /P | Chute Crank Brkt. |
| 24 | 736-0290 | 1 | /P | Flat Washer .625 x 1.0 x .067 |
| 25 | 936-0159 | 1 | /P | Flat Washer .349 ID x .879 OD x .063 |
| 26 | 941-0225 | 1 | /P | Hex Flg. Bearing |
| 27 | 732-0193 | 1 | /P | Compression Spring .39 x .60 x .88 |
| 28 | 741-04354 | 1 | | Hex Bearing |
| 29 | 710-0627 | 1 | /P | Hex Hd. Cap Screw 5/16-24 x .75 |
| 30 | 736-04446 | 1 | | Flat Washer .25 ID x .63 OD x .0515 HT. |
| 31 | 790-00341-0637 | 1 | | Support Rod Bracket |
| 32 | 720-04039 | 1 | | Knob |
| 33 | 731-05307 | 1 | | Control Cover - 2 Way |
| 35 | 736-0413 | 1 | /P | Spring Washer .390 x .625 x .012 |
| 36 | 738-04185 | 1 | | Flg Shlder Screw .310 x .995: 1/4-20 |
| 37 | 946-04527 | 1 | /P | Cable - w/tall chute |
| 38 | 790-00200-0637 | 1 | | Mounting Bracket - 2 Way |
| 39 | 790-00210A-0637 | 1 | | Lever - 2 Way |
| 41 | 918-04748 | 1 | /P | Gearbox Assembly |
| 42 | 710-1652 | 1 | /P | Hex Wash Hd TT Scr. 1/4-20 x .625 |
| 43 | 731-06451 | 1 | | Cable Guide |
| 44 | 926-0100 | 1 | /P | Push Nut 3/8" Rod |
| 45 | 738-04367 | 1 | | Flg. Shoulder Screw .312 x 3.5: 1/4-20 |
| 46 | 914-0101 | 1 | /P | Internal Cotter Pin |
| 47 | 710-04370 | 1 | | Hex. Hd. Cap Scr. 1/4-20 x 3.0 Gr. 5 |
| 48 | 747-05006-0637 | 1 | /P | Chute Crank .375 Dia. x 30.5" Lg. |
| 49 | 720-04102 | 1 | | Knob |
| 50 | 936-0185 | 1 | /P | Flat Washer .375 x .738 x .063 |
| 51 | 710-04373A | 1 | | Hi-Lo Screw #12-16 x .75 |
| 52 | 712-04065 | 1 | /P | Hex L-Flanged Nut 3/8-16 Gr. F Nylon |
| 53 | 684-04336A | 1 | /P | Gear 23 teeth helical w/hub |
| 54 | 917-04636 | 1 | /P | Worm Shaft |
| 55 | 731-06618 | 1 | | Cover |
| 56 | 684-04310A-0637 | 1 | /P | Chute Sup. Bkt. Ass'y (w/357 cc engine only) |
| 57 | 684-04311A-0637 | 1 | /P | Chute Support Bracket Ass'y |

31AH55K4897 (2009)
Drive Assembly

Page 7 of 26

| Ref # | Part Number | Qty | S/P/F | Description |
|-------|-----------------|-----|-------|--|
| 1 | 710-1652 | 1 | /P | Hex Wash Hd TT Scr. 1/4-20 x .625 |
| 2 | 731-06401 | 1 | | Belt Cover (w/277 cc - 357 cc engines) 31AH Models |
| 2 | 731-05353 | 1 | | Belt Cover (w/208 cc engine) 31AM Models |
| 3 | 732-04677 | 1 | | Cable Control Wire |
| 4 | 711-1268B | 1 | | Drive Shaft Actuator |
| 5 | 746-04229 | 1 | | Drive Clutch Cable 44.83" Lg. |
| 6 | 732-04345 | 1 | | Extension Spring .5 OD x 1.71 Lg. |
| 7 | 790-00207B | 1 | | Guide Bracket - Drive Cable |
| 8 | 684-04156A | 1 | | Shift Rod Ass'y |
| 9 | 750-04474 | 1 | | Axle Support Tube |
| 10 | 914-0126 | 1 | /P | #9 HI-Pro Key 3/16 x 3/4 Dia HT |
| 12 | 917-04210 | 1 | /P | Gear, 56T |
| 13 | 712-04063 | 1 | /P | Flange Lock-Nut 5/16-18 Gr. F Nylon |
| 14 | 941-0245 | 1 | /P | Hex. Flange Bearing.751" ID |
| 15 | 790-00206A-0637 | 1 | /P | Guide Bracket - Auger Cable |
| 16 | 756-0625 | 1 | | Cable Guide Roller |
| 17 | 738-0924A | 1 | /P | Hex Shld.Scr.1/4-28 x .375 |
| 18A | 618-04288 | 1 | | Dogg Assembly - LH |
| 18B | 618-04287 | 1 | | Dogg Assembly - RH |
| 19 | 926-04012 | 1 | /P | Push Nut |
| 20 | 750-04477A | 1 | | Spacer .340 x .750 x .360" Lg. |
| 21 | 748-0234 | 1 | /P | Shoulder Spacer |
| 22 | 732-04311 | 1 | | Torsion Spring .750 ID x .968" Lg. |
| 23 | 731-05297 | 1 | | Spacer |
| 24 | 916-0104 | 1 | /P | Retaining Ring |
| 25 | 736-0188 | 1 | /P | Flat Washer .760 ID x 1.49 OD |
| 26 | 736-0626 | 1 | | Flat Washer .580 x 1.125 x .080 |
| 27 | 741-04076 | 1 | | Ball Bearing |
| 28 | 938-04180 | 1 | /P | Axle |
| 29 | 731-04873 | 1 | | Wheel Spacer 1.25 x .75 x 3.00 |
| 30 | 710-0654A | 1 | /P | Hex Wash HD Tap Scr 3/8-16 x .88 |
| 31 | 710-0788 | 1 | /P | Hex Bolt 1/4-20 x 1.00 |
| 32 | 790-00185-0691 | 1 | | Shaft Retainer - LH |
| 33 | 634-04145-0911 | 1 | | Wheel Assembly - LH - 26" Models |
| 33 | 634-04146-0911 | 1 | | Wheel Assembly - RH - 26" Models |
| 33 | 734-2038-0901 | 1 | /P | Tire - 26" Models Not shown |
| 33 | 634-04173-0662 | 1 | /P | Rim - 26" Models Not shown |
| 33 | 634-04136-0911 | 1 | | Wheel Assembly - LH - 28" & 30 Models |
| 33 | 634-04137-0911 | 1 | | Wheel Assembly - RH - 28" & 30 Models |
| 33 | 734-2031 | 1 | | Tire - 28" & 30 Models Not shown |
| 33 | 634-04174-0662 | 1 | | Rim - 28" & 30 Models Not shown |
| 33 | 634-04147A-0911 | 1 | | Wheel Assembly - LH - 24" Models |
| 33 | 634-04148A-0911 | 1 | | Wheel Assembly - RH - 24" Models |
| 33 | 734-04012-0901 | 1 | /P | Tire - 24" Models Not shown |
| 33 | 634-04172A-0662 | 1 | /P | Rim - 24" Models Not shown |
| 33 | 734-0255 | 1 | S | Air Valve Not shown |
| 34 | 736-0242 | 1 | /P | Cupped Washer .345 ID x .88 OD x .060 |
| 35 | 710-1245B | 1 | /P | Hex L-Bolt 5/16-24 x .875 Gr. 8 |
| 36 | 684-04154-0637 | 1 | S | Friction Wheel Support Brkt Ass'y |
| 37 | 790-00096-0637 | 1 | /P | Auger Cable Guide Bracket |
| 38 | 748-0190 | 1 | /P | Spacer .513 ID x 1.0 |

31AH55K4897 (2009)
Drive Assembly

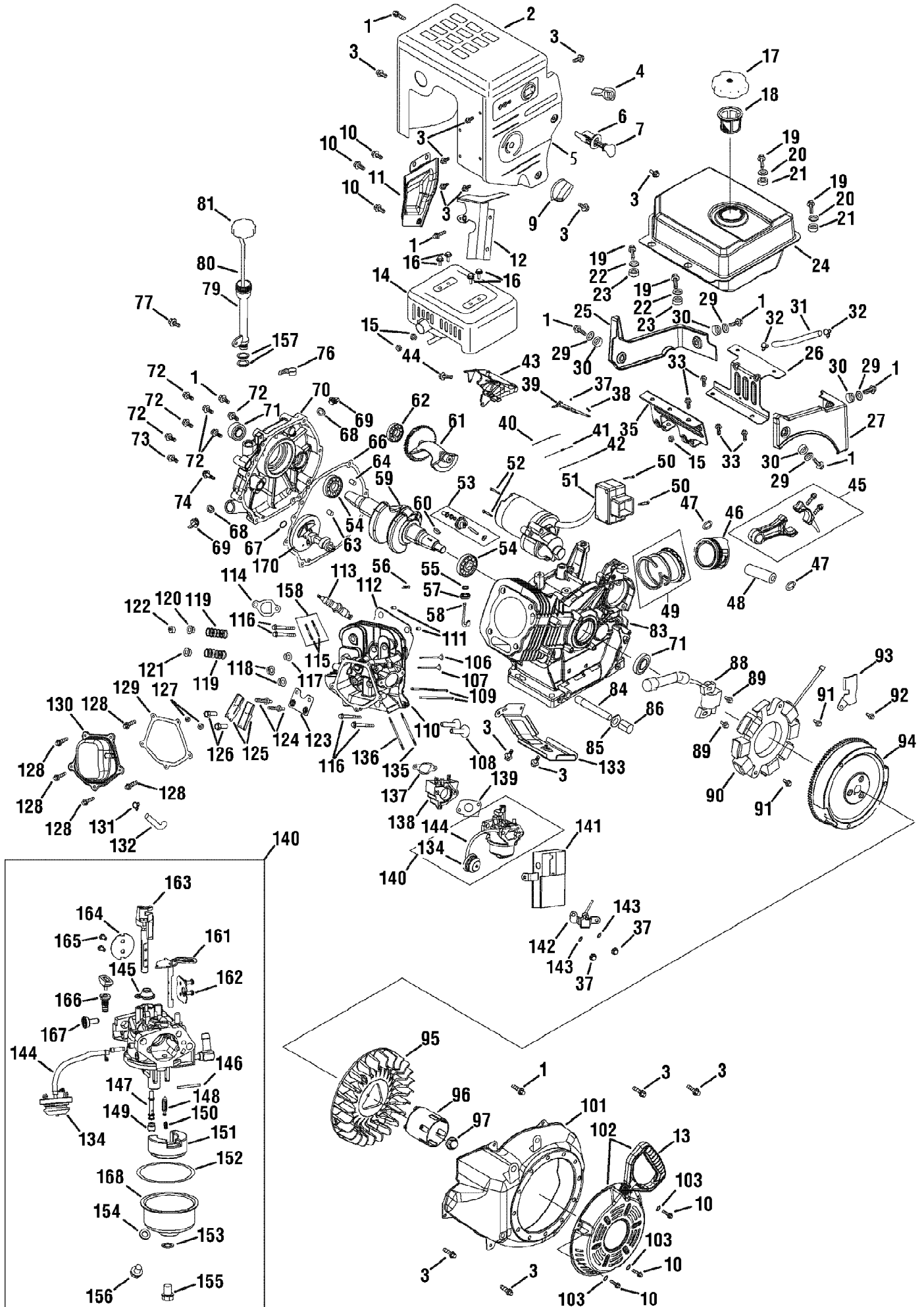
Page 8 of 26

| Ref # | Part Number | Qty | S/P/F | Description |
|-------|-----------------|-----|-------|--|
| 39 | 738-04184A | 1 | | Shoulder Screw .373 x .105:TT 1/4-20 |
| 40 | 790-00316-0606 | 1 | | Frame Cover |
| 41 | 656-04025A | 1 | /P | Friction Wheel Disc Assembly |
| 42 | 918-04322A | 1 | /P | Drive Shaft Assembly (w/o Friction Wheel Ass'y) |
| 42A | 711-04416A | 1 | | Hex Drive Shaft (500) |
| 42B | 918-04284 | 1 | /P | Planetary Car rier Ass'y |
| 42C | 717-1209A | 1 | /P | Gear 12T |
| 42D | 936-0502 | 1 | /P | Flat Washer .58 x 1.12 x .02 |
| 42E | 936-0336 | 1 | /P | Flat Washer 5/8 ID x 1.0 OD |
| 42F | 717-1210A | 1 | /P | Gear 18T |
| 42G | 918-04285 | 1 | /P | Ring Planetary Gear Ass'y (500) |
| 42H | 716-0194 | 1 | /P | Retaining Ring 1.56 diam. |
| 43 | 684-04159 | 1 | | Friction Wheel Assembly |
| 43A | 935-04054 | 1 | /P | Friction Wheel Rubber |
| 43B | 790-00174 | 1 | | Friction Plate |
| 44 | 716-0136 | 1 | | Retainer Ring |
| 45 | 726-0221 | 1 | /P | Cap Speed Nut 1/4 Rod |
| 46 | 790-00183B-0606 | 1 | | Wheel Drive Frame |
| 47 | 756-04109 | 1 | | Auger Pulley |
| 48 | 736-0505 | 1 | | Flat Washer .34 x 1.50 x .150 |
| 49 | 710-1245B | 1 | /P | Hex Bolt 5/16-24 x 0.875 |
| 50 | 936-0119 | 1 | /P | L-Wash 5/16 ID |
| 51 | 790-00230 | 1 | | Bearing Sleeve |
| 52 | 941-0919 | 1 | /P | Ball Bearing 20 x 47 x 14:6204:DS |
| 53 | 750-04571 | 1 | | Spacer |
| 54 | 732-04308A | 1 | /P | Torsion Spring .850 ID x .354" Lg. |
| 55 | 710-0672 | 1 | /P | Hex HD. Cap Scr. 5/16-24 x 1.25 Lg. |
| 56 | 756-04252 | 1 | | Pulley Half |
| 57 | 954-0367 | 1 | /P | Belt 3/8 X 34.4" Lg.(w/208 cc engine) 31AM Models |
| 57 | 954-04201 | 1 | S | Belt 3/8 X 35.68" Lg.(w/277cc - 357cc engines) 31AH Models |
| 58 | 710-0809 | 1 | | Hex Bolt 1/4-20 x 1.25 |
| 59 | 790-00208C | 1 | /P | Wheel Drive Idler Bracket |
| 60 | 748-04112B | 1 | /P | Shoulder Spacer |
| 61 | 932-0264 | 1 | /P | Extension Spring 3/8 OD x 2.50 |
| 62 | 712-0417A | 1 | /P | Jam L-Nut 5/8-18 Gr. 5 Nylon |
| 63 | 750-04303 | 1 | | Spacer .875 ID x 1.185 OD |
| 64 | 756-04113 | 1 | | Pulley Half |
| 65 | 736-0247 | 1 | /P | Flat Washer .40 ID x 1.25 OD x .160 |
| 66 | 710-0191 | 1 | /P | Hex Screw 3/8-24 x 1.25 |
| 67 | 748-04053A | 1 | /P | Pulley Adapter |
| 68 | 946-0956B | 1 | /P | Steering Cable |
| 69 | 790-00186-0691 | 1 | | Shaft Retainer - RH |
| 70 | 750-0767 | 1 | | Axle Spacer |
| 71 | 712-04065 | 1 | /P | Flange Lock-Nut 3/8-16 Gr. F Nylon |
| 72 | 954-04050 | 1 | /P | Belt .5 x 35.0" Lg. (w/208 cc engine) 31AM Models |

31AH55K4897 (2009)
Drive Assembly

Page 9 of 26

| Ref # | Part Number | Qty | S/P/F | Description |
|-------|-----------------|-----|-------|---|
| 72 | 954-04195 | 1 | /P | Belt .5 x 37.0 (w/277cc - 357cc engines) 31AH Models |
| 73 | 710-0751 | 1 | /P | Hex Bolt 1/4-20 x .62 Gr. 5 |
| 74 | 790-00217A-0637 | 1 | /P | Pivot Bracket |
| 75 | 790-00218A-0637 | 1 | /P | Shift Bracket |
| 76 | 712-04064 | 1 | /P | Flange Lock-Nut 1/4-20 Gr. F Nylon |
| 77 | 710-0896 | 1 | /P | Hex Wash. Hd. TT Scr. 1/4-14 x .625 |
| 79 | 736-0320 | 1 | /P | Flat Washer .38 x 1.38 x .125 (Rear left hole) |
| 80 | 735-04100 | 1 | | Plug 1/2" |
| 81 | 735-04099 | 1 | | Plug 3/8" |
| 82 | 936-3015 | 1 | /P | Flat Washer .469 x .875 x .105 |
| 83 | 790-00289A-0637 | 1 | /P | Cover Plate (optional) |
| 84 | 746-04230 | 1 | | Auger Clutch Cable 47.23" Lg. |
| 85 | 710-04022 | 1 | | Hex. Hd. Cap Scr. M8-1.25:20 Gr. 8 |
| 86 | 936-0264 | 1 | /P | Flat Washer .330 ID x .630 OD x .0635 |



| Ref # | Part Number | Qty | S/P/F | Description |
|-------|-------------|-----|-------|--|
| 1 | 951-11012 | 1 | | Bolt, M6 X 16 |
| 2 | 951-11339 | 1 | /P | Muffler Shield |
| 3 | 710-04915 | 1 | | Bolt, M6x12, Zinc Coating |
| 4 | 951-11224 | 1 | /P | Throttle Control Knob |
| 5 | 951-11595 | 1 | /P | Control Panel |
| 6 | 951-10637 | 1 | /P | Ignition Switch Assembly |
| 7 | 731-05632 | 1 | | Key |
| 9 | 951-11302 | 1 | /P | Choke Knob |
| 10 | 710-04914 | 1 | | Bolt, Flange, M6x10 |
| 11 | 951-11181 | 1 | /P | Muffler Baffle |
| 12 | 951-11321 | 1 | /P | Carburetor Heat Shield |
| 13 | 731-05696 | 1 | | Starter Handle |
| 14 | 951-11338 | 1 | /P | Muffler Assembly |
| 15 | 712-04219 | 1 | | Nut, M8 - 1.25 |
| 16 | 710-05051 | 1 | | Bolt |
| 17 | 951-10649 | 1 | /P | Fuel Cap |
| 18 | 951-10652 | 1 | /P | Fuel Filter |
| 19 | 710-04970 | 1 | | Flange Bolt, M8 X 20 |
| 20 | 736-04450 | 1 | | Flat Washer |
| 21 | 750-05312 | 1 | | Bushing |
| 22 | 736-04451 | 1 | | Flat Washer |
| 23 | 750-05313 | 1 | | Bushing |
| 24 | 951-11201 | 1 | /P | Fuel Tank |
| 25 | 951-11319 | 1 | /P | Fuel Tank Shroud |
| 26 | 951-11318 | 1 | /P | Fuel Tank Mounting Bracket |
| 27 | 951-11189 | 1 | S | Engine Shroud |
| 29 | 736-04452 | 1 | | Flat Washer |
| 30 | 750-05314 | 1 | | Bushing |
| 31 | N/A | 1 | | Fuel Line Furnish 951-11336, Fuel Line Kit |
| 32 | N/A | 2 | | Fuel Line Clamp Furnish 951-11336, Fuel Line Kit |
| 33 | 710-04921 | 1 | | Bolt, Flange, M8x14 |
| 35 | 951-11182 | 1 | /P | Fuel Tank Mounting Bracket |
| 37 | 712-04211 | 1 | S | Nut, Flange, M6 |
| 38 | 710-04908 | 1 | | Bolt, M6x21, Governor Arm |
| 39 | 951-11307 | 1 | /P | Governor Arm Bracket |
| 40 | 951-11306 | 1 | /P | Governor Spring |
| 41 | 951-11203 | 1 | /P | Throttle Return Spring |
| 42 | 951-11309 | 1 | /P | Governor Rod |
| 43 | 951-11311 | 1 | /P | Throttle Control Assembly |
| 44 | 710-04916 | 1 | | Bolt, Flange, M6 x 14 |
| 45 | N/A | 1 | | Connecting Rod Ass'y Complete Furnish 951-11328, Shortblock Assembly |
| 46 | N/A | 1 | | Piston Furnish 951-11328, Shortblock Assembly |
| 47 | N/A | 2 | | Piston Pin Clip Furnish 951-11328, Shortblock Assembly |
| 48 | N/A | 1 | | Piston Pin Furnish 951-11328, Shortblock Assembly |

31AH55K4897 (2009)
Engine Assembly 483-SU

Page 12 of 26

| Ref # | Part Number | Qty | S/P/F | Description |
|-------|-------------|-----|-------|---|
| 49 | N/A | 1 | | Piston Ring Set - Complete Furnish 951-11328, Shortblock Assembly |
| 50 | 710-04965 | 1 | | Screw, M4 X 55 |
| 51 | 951-11196 | 1 | /P | Electric Starter |
| 52 | 710-04967 | 1 | | Flange Bolt, M8 X 55 |
| 53 | N/A | 1 | | Governor Assembly Furnish 951-11328, Shortblock Assembly |
| 54 | 951-11373 | 1 | /P | Bearing |
| 54 | 951-11373 | 1 | /P | Bearing Furnish 951-11340, Crankcase Cover Kit |
| 54 | 951-11373 | 2 | /P | Bearing Furnish 951-11342, Crankshaft Assembly |
| 54 | 951-11373 | 2 | /P | Bearing Furnish 951-11328, Shortblock Assembly |
| 54 | 951-11373 | 1 | /P | Bearing Furnish 951-11341, Crankcase Kit |
| 55 | 736-04453 | 1 | | Governor Shaft Washer |
| 55 | 736-04453 | 1 | | Governor Shaft Washer Furnish 951-11328, Shortblock Assembly |
| 56 | 714-04077 | 1 | | Governor Shaft Clip |
| 56 | 714-04077 | 1 | | Governor Shaft Clip Furnish 951-11328, Shortblock Assembly |
| 57 | N/A | 1 | | Oil Seal - Governor Shaft Furnish 951-11328, Shortblock Assembly |
| 57 | N/A | 1 | | Oil Seal - Governor Shaft Furnish 951-11341, Crankcase Kit |
| 57 | N/A | 1 | | Oil Seal - Governor Shaft Furnish 951-11330, Complete Gasket Kit |
| 58 | 951-11365 | 1 | /P | Governor Arm Shaft |
| 58 | 951-11365 | 1 | /P | Governor Arm Shaft Furnish 951-11328, Shortblock Assembly |
| 59 | N/A | 1 | | Crankshaft Assembly Furnish 951-11342, Crankshaft Assembly |
| 59 | N/A | 1 | | Crankshaft Assembly Furnish 951-11328, Shortblock Assembly |
| 60 | 951-10307 | 1 | /P | Flywheel Key |
| 60 | 951-10307 | 1 | /P | Flywheel Key Furnish 951-11373, Crankshaft Assembly |
| 60 | 951-10307 | 1 | /P | Flywheel Key Furnish 951-11328, Shortblock Assembly |
| 61 | N/A | 1 | | Balance Shaft Furnish 951-11328, Shortblock Assembly |
| 62 | N/A | 1 | | Bearing Furnish 951-11328, Shortblock Assembly |
| 63 | 715-04102 | 1 | | Dowel Pin |

31AH55K4897 (2009)
Engine Assembly 483-SU

Page 13 of 26

| Ref # | Part Number | Qty | S/P/F | Description |
|-------|-------------|-----|-------|---|
| 63 | 715-04102 | 1 | | Dowel Pin Furnish 951-11328, Shortblock Assembly |
| 64 | 715-04096 | 1 | | Dowel Pin, 7 X 14 |
| 64 | 715-04096 | 1 | | Dowel Pin, 7 x 14 Furnish 951-11328, Shortblock Assembly |
| 66 | 951-11376 | 1 | /P | Crankcase Cover Gasket |
| 66 | 951-11376 | 1 | /P | Crankcase Cover Gasket Furnish 951-11340, Crankcase Cover Kit |
| 66 | 951-11376 | 1 | /P | Crankcase Cover Gasket Furnish 951-11328, Shortblock Assembly |
| 66 | 951-11376 | 1 | /P | Crankcase Cover Gasket Furnish 951-11330, Complete Gasket Kit |
| 67 | 736-04476 | 1 | | Washer |
| 67 | 736-04476 | 1 | | Washer Furnish 951-11340, Crankcase Cover Kit |
| 67 | 736-04476 | 1 | | Washer Furnish 951-11328, Shortblock Assembly |
| 68 | N/A | 1 | | O-Ring Furnish 951-11345, Oil Filler Plug Assembly |
| 69 | N/A | 1 | | Oil Fill Plug Furnish 951-11345, Oil Filler Plug Assembly |
| 70 | N/A | 1 | | Crankcase Cover Furnish 951-11340, Crankcase Cover Kit |
| 70 | N/A | 1 | | Crankcase Cover Furnish 951-11328, Shortblock Assembly |
| 71 | 751-11375 | 1 | S | Oil Seal - PTO Side |
| 71 | 951-11375 | 1 | /P | Oil Seal - PTO Side Furnish 951-11340, Crankcase Cover Kit |
| 71 | 951-11375 | 2 | /P | Oil Seal - PTO Side Furnish 951-11373, Crankshaft Assembly |
| 71 | 951-11375 | 2 | /P | Oil Seal - PTO Side Furnish 951-11328, Shortblock Assembly |
| 71 | 951-11375 | 1 | /P | Oil Seal - PTO Side Furnish 951-11341, Crankcase Kit |
| 71 | 951-11375 | 2 | /P | Oil Seal - PTO Side Furnish 951-11330, Complete Gasket Kit |
| 72 | 710-04971 | 1 | | Flange Bolt, M8 X 38 |
| 72 | 710-04971 | 7 | | Flange Bolt, M8 X 38 Furnish 951-11340, Crankcase Cover Kit |
| 72 | 710-04971 | 5 | | Flange Bolt, M8 X 38 Furnish 951-11328, Shortblock Assembly |
| 73 | 710-04972 | 1 | | Bolt, M8 X 45 |

31AH55K4897 (2009)
Engine Assembly 483-SU

Page 14 of 26

| Ref # | Part Number | Qty | S/P/F | Description |
|-------|-------------|-----|-------|---|
| 73 | 710-04972 | 1 | | Bolt, M8 X 45 Furnish 951-11340, Crankcase Cover Kit |
| 73 | 710-04972 | 1 | | Bolt, M8 X 45 Furnish 951-11328, Shortblock Assembly |
| 74 | 710-05052 | 1 | | Bolt, M8 X 35 |
| 74 | 710-05052 | 2 | | Bolt, M8 X 35 Furnish 951-11328, Shortblock Assembly |
| 76 | 951-11320 | 1 | /P | Oil Tube Support Bracket |
| 77 | 710-04968 | 1 | /P | Flange Bolt M6 X 16 |
| 79 | 951-11206 | 1 | /P | Dipstick Tube |
| 80 | N/A | 1 | | Dipstick Furnish 951-11205, Dipstick Assembly |
| 81 | N/A | 1 | | Oil Cap Furnish 951-11205, Dipstick Assembly |
| 83 | N/A | 1 | | Crankcase Furnish 951-11328, Shortblock Assembly |
| 83 | N/A | 1 | | Crankcase Furnish 951-11341, Crankcase Kit |
| 84 | 951-11350 | 1 | /P | Oil Drain Pipe |
| 84 | 951-11350 | 1 | /P | Oil Drain Pipe Furnish 951-10641, Oil Drain Assembly |
| 84 | 951-11350 | 1 | /P | Oil Drain Pipe Furnish 951-11328, Shortblock Assembly |
| 85 | 736-04440 | 1 | /P | Oil Drain Washer |
| 85 | 736-04440 | 1 | /P | Oil Drain Washer Furnish 951-10641, Oil Drain Assembly |
| 85 | 736-04440 | 1 | /P | Oil Drain Washer Furnish 951-11328, Shortblock Assembly |
| 85 | 736-04440 | 1 | /P | Oil Drain Washer Furnish 951-11330, Complete Gasket Kit |
| 85 | N/A | 1 | | Oil Drain Washer Furnish 951-11331, External Gasket Kit |
| 86 | 710-04906 | 1 | | Oil Drain Plug |
| 86 | 710-04906 | 1 | | Oil Drain Plug Furnish 951-10641, Oil Drain Assembly |
| 86 | 710-04906 | 1 | | Oil Drain Plug Furnish 951-11328, Shortblock Assembly |
| 88 | 951-11305 | 1 | /P | Ignition Coil |
| 89 | 710-04920 | 1 | | Bolt, Flange, M6x28 |
| 90 | 951-11216 | 1 | /P | Stator |
| 91 | 710-04969 | 1 | | Flange Bolt, M6 X 30 |
| 92 | 710-04966 | 1 | | Flange Bolt, M6 X 8 |
| 93 | 951-11186 | 1 | /P | Alternator Wire Clamp Bracket |
| 94 | 951-11312 | 1 | /P | Flywheel |
| 95 | 951-11313 | 1 | /P | Cooling Fan |
| 96 | 951-11314 | 1 | /P | Starter Cup |
| 97 | 712-04220 | 1 | | |

31AH55K4897 (2009)
Engine Assembly 483-SU

Page 15 of 26

| Ref # | Part Number | Qty | S/P/F | Description |
|-------|-------------|-----|-------|---|
| 101 | 951-11211 | 1 | /P | Blower Housing |
| 102 | 951-11310 | 1 | /P | Recoil Starter Assembly |
| 103 | 736-04455 | 1 | | Flat Washer Recoil |
| 106 | N/A | 11 | | Exhaust Valve Furnish 951-11329, Cylinder Head Assembly |
| 106 | N/A | 1 | | Exhaust Valve Furnish 951-11337, Valve Kit |
| 107 | N/A | 1 | | Intake Valve Furnish 951-11329, Cylinder Head Assembly |
| 107 | N/A | 1 | | Intake Valve Furnish 951-11337, Valve Kit |
| 108 | N/A | 2 | | Valve Lifter (Tappet) Furnish 951-11328, Shortblock Assembly |
| 109 | N/A | 2 | | Push Rod Furnish 951-11335, Push Rod Kit |
| 110 | N/A | 1 | | Cylinder Head Furnish 951-11329, Cylinder Head Assembly |
| 111 | 715-04097 | 1 | | Dowel Pin, 12 X 20 |
| 111 | 715-04097 | 2 | | Dowel Pin, 12 x 20 Furnish 951-11328, Shortblock Assembly |
| 112 | N/A | 1 | | Cylinder Head Gasket Furnish 951-11328, Shortblock Assembly |
| 112 | N/A | 1 | | Cylinder Head Gasket Furnish 951-11329, Cylinder Head Assembly |
| 112 | N/A | 1 | | Cylinder Head Gasket Furnish 951-11330, Complete Gasket Kit |
| 112 | N/A | 1 | | Cylinder Head Gasket Furnish 951-11334, Cylinder Head Kit |
| 113 | 951-10292 | 1 | /P | Spark Plug |
| 114 | 951-11212 | 1 | /P | Muffler Gasket |
| 114 | 951-11212 | 1 | /P | Muffler Gasket Furnish 951-11328, Shortblock Assembly |
| 114 | 951-11212 | 1 | /P | Muffler Gasket Furnish 951-11329, Cylinder Head Assembly |
| 114 | 951-11212 | 1 | /P | Muffler Gasket Furnish 951-11330, Complete Gasket Kit |
| 114 | 951-11212 | 1 | /P | Muffler Gasket Furnish 951-11331, External Gasket Kit |
| 115 | 710-04964 | 1 | | Muffler Stud |
| 115 | 710-04964 | 2 | | Exhaust Stud Furnish 951-11207, Muffler Stud Assembly |
| 115 | 710-04964 | 2 | | Exhaust Stud Furnish 951-11329, Cylinder Head Assembly |
| 116 | 710-05053 | 1 | | Flange Bolt, M10-1.25 X 87 |
| 116 | 710-05053 | 4 | | Flange Bolt, M10-1.25 X 87 Furnish 951-11328, Shortblock Assembly |

| Ref # | Part Number | Qty | S/P/F | Description |
|-------|-------------|-----|-------|---|
| 116 | 710-05053 | 4 | | Flange Bolt, M10-1.25 X 87 Furnish 951-11329, Cylinder Head Assembly |
| 116 | 710-05053 | 4 | | Flange Bolt, M10-1.25 X 87 Furnish 951-11334, Cylinder Head Kit |
| 117 | N/A | 1 | | Intake Valve Seal Furnish 951-11329, Cylinder Head Assembly |
| 117 | N/A | 1 | | Intake Valve Seal Furnish 951-11334, Cylinder Head Kit |
| 118 | N/A | 2 | | Valve Spring Retainer Furnish 951-11329, Cylinder Head Assembly |
| 119 | N/A | 2 | | Valve Spring Furnish 951-11329, Cylinder Head Assembly |
| 120 | N/A | 1 | | Valve Spring Retainers -Exhaust Furnish 951-11329, Cylinder Head Assembly |
| 121 | N/A | 1 | | Valve Spring Retainer-Intake Furnish 951-11329, Cylinder Head Assembly |
| 122 | N/A | 1 | | Exhaust Valve Cap Furnish 951-11329, Cylinder Head Assembly |
| 123 | N/A | 1 | | Push Rod Guide Furnish 951-11329, Cylinder Head Assembly |
| 124 | 710-04962 | 1 | | Rocker Stud Bolt |
| 124 | 710-04962 | 2 | | Rocker Stud Bolt Furnish 951-11329, Cylinder Head Assembly |
| 125 | N/A | 2 | | Rocker Arm Furnish 951-11329, Cylinder Head Assembly |
| 126 | 751-11123 | 1 | | Pivot Adjusting Nut |
| 126 | 751-11123 | 2 | | Pivot Adjusting Nut Furnish 951-11329, Cylinder Head Assembly |
| 127 | 751-11124 | 1 | | Pivot Locking Nut |
| 127 | 751-11124 | 2 | | Pivot Locking Nut Furnish 951-11329, Cylinder Head Assembly |
| 128 | 710-05054 | 1 | | Bolt -Valve Cover, M6 X 16 |
| 129 | N/A | 1 | | Valve Cover Gasket Furnish 951-11328, Shortblock Assembly |
| 129 | N/A | 1 | | Valve Cover Gasket Furnish 951-11329, Cylinder Head Assembly |
| 129 | N/A | 1 | | Valve Cover Gasket Furnish 951-11330, Complete Gasket Kit |
| 129 | N/A | 1 | | Valve Cover Gasket Furnish 951-11331, External Gasket Kit |
| 129 | N/A | 1 | | Valve Cover Gasket Furnish 951-11334, Cylinder Head Kit |

31AH55K4897 (2009)
Engine Assembly 483-SU

Page 17 of 26

| Ref # | Part Number | Qty | S/P/F | Description |
|-------|-------------|-----|-------|---|
| 129 | N/A | 1 | | Valve Cover Gasket Furnish 951-11333, Valve Cover Kit |
| 130 | 951-11220 | 1 | /P | Valve Cover |
| 130 | 951-11220 | 1 | /P | Valve Cover Furnish 951-11333, Valve Cover Kit |
| 131 | 726-04101 | 1 | | Breather Hose Clip |
| 132 | 951-11221 | 1 | /P | Breather Hose |
| 133 | 951-11317 | 1 | /P | Cylinder Baffle |
| 134 | 951-10639 | 1 | S | Primer |
| 134 | 951-10639 | 1 | S | Primer Furnish 951-11303, Carburetor Assembly |
| 135 | 710-05055 | 1 | | Carburetor Stud, M6 X 8 X 98 |
| 135 | 710-05055 | 1 | | Carburetor Stud, M6 X 8 X 98 Furnish 951-11329, Cylinder Head Assembly |
| 136 | 710-05056 | 1 | | Carburetor Stud, M6 X 8 X 118 |
| 136 | 710-05056 | 1 | | Carburetor Stud, M6 X 8 X 118 Furnish 951-11329, Cylinder Head Assembly |
| 137 | 951-11315 | 1 | /P | Intake Gasket |
| 137 | 951-11315 | 1 | /P | Intake Gasket Furnish 951-11328, Shortblock Assembly |
| 137 | 951-11315 | 1 | /P | Intake Gasket Furnish 951-11329, Cylinder Head Assembly |
| 137 | 951-11315 | 1 | /P | Intake Gasket Furnish 951-11330, Complete Gasket Kit |
| 137 | 951-11315 | 1 | /P | Intake Gasket Furnish 951-11331, External Gasket Kit |
| 138 | 951-11316 | 1 | /P | Carburetor Insulator |
| 138 | 951-11316 | 1 | /P | Carburetor Insulator Furnish 951-11328, Shortblock Assembly |
| 138 | 951-11316 | 1 | /P | Carburetor Insulator Furnish 951-11329, Cylinder Head Assembly |
| 138 | 951-11316 | 1 | /P | Carburetor Insulator Furnish 951-11330, Complete Gasket Kit |
| 138 | 951-11316 | 1 | /P | Carburetor Insulator Furnish 951-11331, External Gasket Kit |
| 139 | 951-11223 | 1 | /P | Carburetor Gasket |
| 139 | 951-11223 | 1 | /P | Carburetor Gasket Furnish 951-11330, Complete Gasket Kit |
| 139 | 951-11223 | 1 | /P | Carburetor Gasket Furnish 951-11331, External Gasket Kit |
| 140 | 951-11303 | 1 | S | Carburetor Assembly |
| 140 | 951-11303 | 1 | S | Carburetor Assembly (Incl. Ref. No. 134, 145-156, 161-168) |
| 141 | 951-11304 | 1 | /P | Heater Box |
| 142 | 951-11192 | 1 | /P | Parts Assembly |

31AH55K4897 (2009)
Engine Assembly 483-SU

Page 18 of 26

| Ref # | Part Number | Qty | S/P/F | Description |
|-------|-------------|-----|-------|---|
| 143 | 736-04477 | 1 | | Lock Washer |
| 144 | 951-11324 | 1 | /P | Primer Hose |
| 145 | N/A | 1 | | Throttle Pressure Plate Furnish 951-11332, Carburetor Kit Major |
| 145 | N/A | 1 | | Throttle Pressure Plate Furnish 951-11303, Carburetor Assembly |
| 146 | N/A | 1 | | Float Pin Furnish 951-11332, Carburetor Kit Major |
| 146 | N/A | 1 | | Float Pin Furnish 951-11303, Carburetor Assembly |
| 147 | N/A | 1 | | Main Nozzle Furnish 951-11332, Carburetor Kit Major |
| 147 | N/A | 1 | | Main Nozzle Furnish 951-11303, Carburetor Assembly |
| 148 | N/A | 1 | | Needle Valve Furnish 951-11332, Carburetor Kit Major |
| 148 | N/A | 1 | | Needle Valve Furnish 951-11303, Carburetor Assembly |
| 149 | N/A | 1 | | Main Jet Furnish 951-11332, Carburetor Kit Major |
| 149 | N/A | 1 | | Main Jet Furnish 951-11303, Carburetor Assembly |
| 150 | N/A | 1 | | Needle Valve Spring Furnish 951-11332, Carburetor Kit Major |
| 150 | N/A | 1 | | Needle Valve Spring Furnish 951-11303, Carburetor Assembly |
| 151 | N/A | 1 | | Float Furnish 951-11332, Carburetor Kit Major |
| 151 | N/A | 1 | | Float Furnish 951-11303, Carburetor Assembly |
| 152 | N/A | 1 | | Bowl Gasket Furnish 951-11332, Carburetor Kit Major |
| 152 | N/A | 1 | | Bowl Gasket Furnish 951-11303, Carburetor Assembly |
| 153 | 951-11348 | 1 | /P | Fuel Bowl Gasket |
| 153 | 951-11348 | 1 | /P | Fuel Bowl Gasket Furnish 951-11332, Carburetor Kit Major |
| 153 | 951-11348 | 1 | /P | Fuel Bowl Gasket Furnish 951-11303, Carburetor Assembly |
| 154 | 951-11349 | 1 | /P | Fuel Drain Plug Gasket |
| 154 | 951-11349 | 1 | /P | Fuel Drain Plug Gasket Furnish 951-11332, Carburetor Kit Major |

31AH55K4897 (2009)
Engine Assembly 483-SU

Page 19 of 26

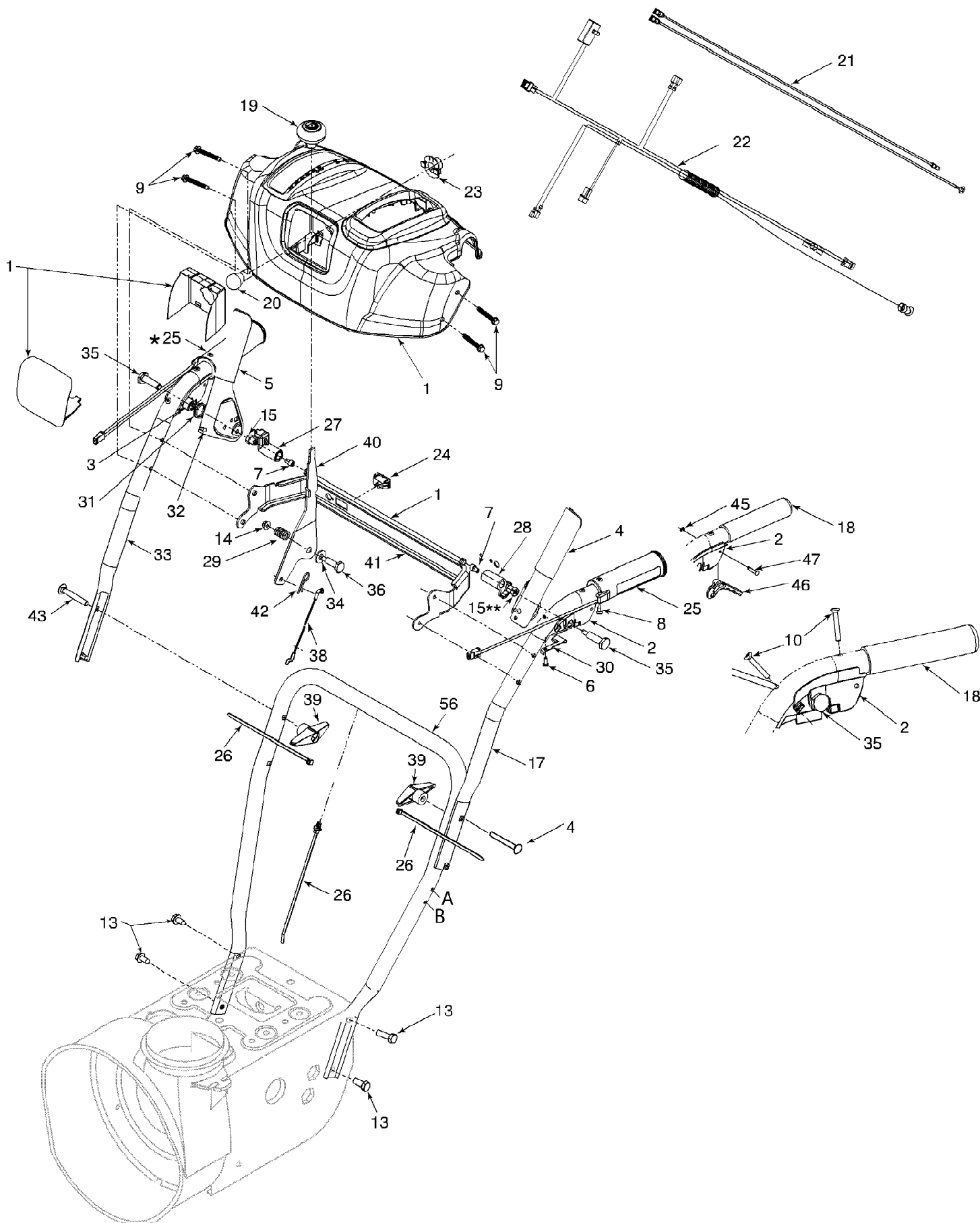
| Ref # | Part Number | Qty | S/P/F | Description |
|-------|-------------|-----|-------|---|
| 154 | 951-11349 | 1 | /P | Fuel Drain Plug Gasket Furnish 951-11303, Carburetor Assembly |
| 155 | 710-04945 | 1 | | Fuel Bowl Mounting Bolt |
| 155 | 710-04945 | 1 | | Fuel Bowl Mounting Bolt Furnish 951-11303, Carburetor Assembly |
| 156 | 710-04903 | 1 | S | Fuel Drain Plug |
| 156 | 710-04903 | 1 | S | Fuel Drain Plug Furnish 951-11303, Carburetor Assembly |
| 157 | 951-11381 | 1 | /P | O-Ring |
| 158 | 951-11207 | 1 | /P | Muffler Stud Assembly (Incl. Ref. No. 115) |
| 161 | N/A | 1 | | Choke Shaft Furnish 951-11303, Carburetor Assembly |
| 162 | N/A | 1 | | Choke Plate Furnish 951-11303, Carburetor Assembly |
| 163 | N/A | 1 | | Throttle Shaft Furnish 951-11303, Carburetor Assembly |
| 164 | N/A | 1 | | Throttle Plate Furnish 951-11303, Carburetor Assembly |
| 165 | N/A | 2 | | Screw Furnish 951-11303, Carburetor Assembly |
| 166 | N/A | 1 | | Idle Jet Assembly Furnish 951-11303, Carburetor Assembly |
| 167 | N/A | 1 | | Idle Speed Adjusting Screw Furnish 951-11303, Carburetor Assembly |
| 168 | N/A | 1 | | Fuel Bowl Furnish 951-11303, Carburetor Assembly |
| 170 | N/A | 1 | | Camshaft Assembly Furnish 951-11328, Shortblock Assembly |
| | 951-10641 | 1 | /P | Oil Drain Assembly Not Shown (Incl. Ref. No. 84-86) |
| | 951-10651 | 1 | /P | Fuel Tank Nipple Not Shown |
| | 951-11205 | 1 | /P | Dipstick Assembly Not Shown (Incl. Ref. No. 80-81) |
| | 951-11328 | 1 | /P | Shortblock Assembly Not Shown (Incl. Ref. No. 45-49, 53-67, 70-74, 83-86, 108, 111-112, 114, 116, 129, 137, 138, 170) |
| | 951-11329 | 1 | /P | Cylinder Head Assembly Not Shown (Incl. Ref. No. 106, 107, 110, 112, 114-127, 129, 135-138) |
| | 951-11330 | 1 | /P | Gasket Kit - Complete Not Shown (Incl. Ref. No. 57, 66, 71, 85, 112, 114, 129, 137-139) |
| | 951-11331 | 1 | /P | Gasket Kit - External Not Shown (Incl. Ref. No. 85, 114, 129, 137-139) |

31AH55K4897 (2009)
Engine Assembly 483-SU

Page 20 of 26

| Ref # | Part Number | Qty | S/P/F | Description |
|-------|-------------|-----|-------|--|
| | 951-11332 | 1 | /P | Carburetor Repair Kit -Major Not Shown (Incl. Ref. No. 145-154) |
| | 951-11333 | 1 | /P | Valve Cover Kit Not Shown (Incl. Ref. No. 129-130) |
| | 951-11334 | 1 | /P | Cylinder Head Kit Not Shown (Incl. Ref. No. 112, 116-117, 129) |
| | 951-11335 | 1 | /P | Push Rod Kit Not Shown (Incl. Ref. No. 109) |
| | 951-11336 | 1 | /P | Fuel Line Kit Not Shown (Incl. Ref. No. 31-32) |
| | 951-11337 | 1 | /P | Valve Kit Not Shown (Incl. Ref. No. 106-107) |
| | 951-11340 | 1 | /P | Crankcase Cover Kit Not Shown (Incl. Ref. No. 54, 66, 67, 70, 71, 72 & 73) |
| | 951-11341 | 1 | /P | Crankcase Kit Not Shown (Incl. Ref. No. 54, 57, 71 & 83) |
| | 951-11342 | 1 | /P | Crankshaft Kit Not Shown (Incl. Ref. No. 54, 59, 60 & 71) |
| | 951-11345 | 1 | /P | Oil Filler Plug Assembly Not Shown (Incl. Ref. No. 68-69) |
| | 752Z483-SU | 1 | S | Engine Complete Not Shown |

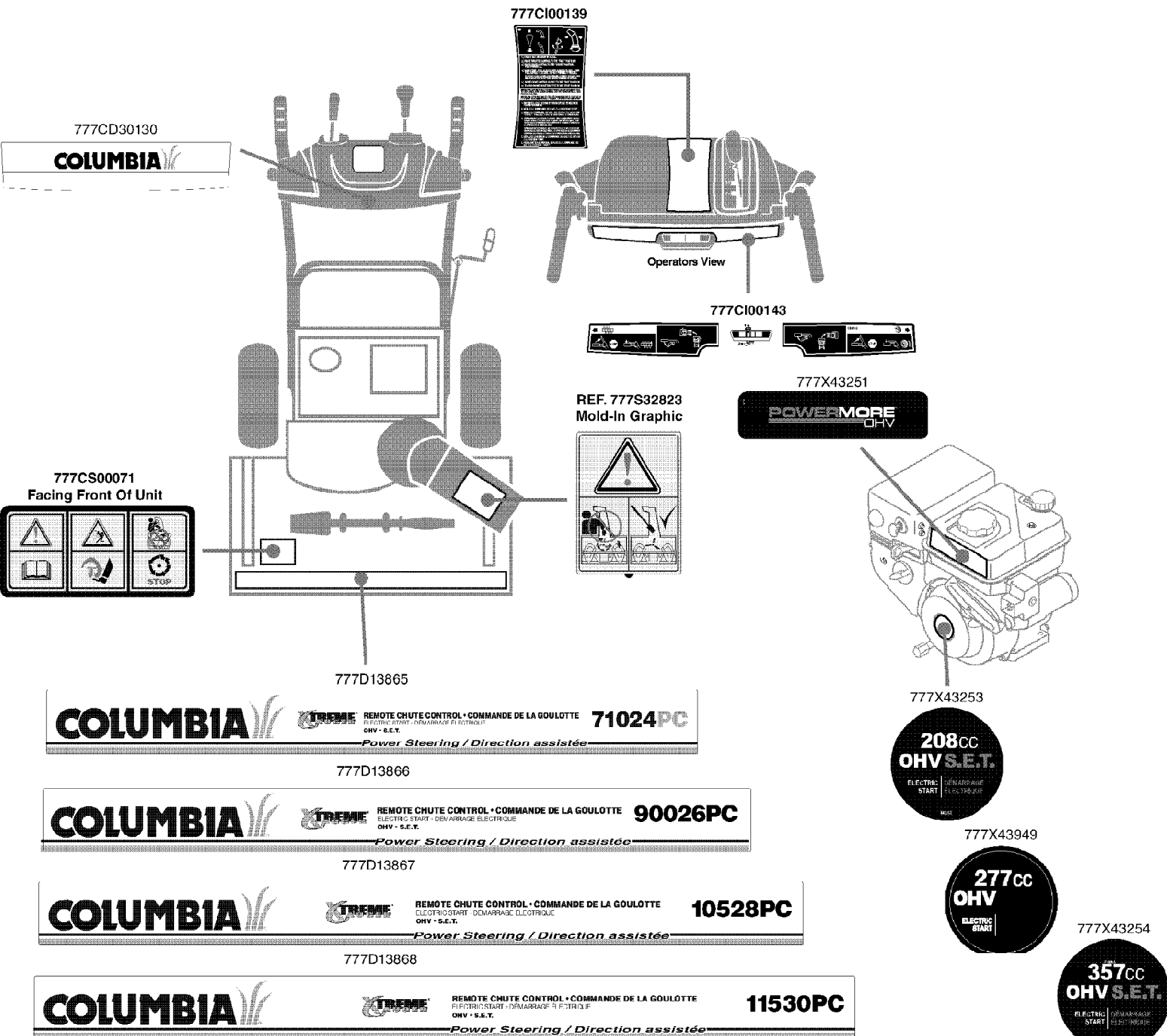
31AH55K4897 (2009)
Handle Panel Assembly



31AH55K4897 (2009)
Handle Panel Assembly

Page 22 of 26

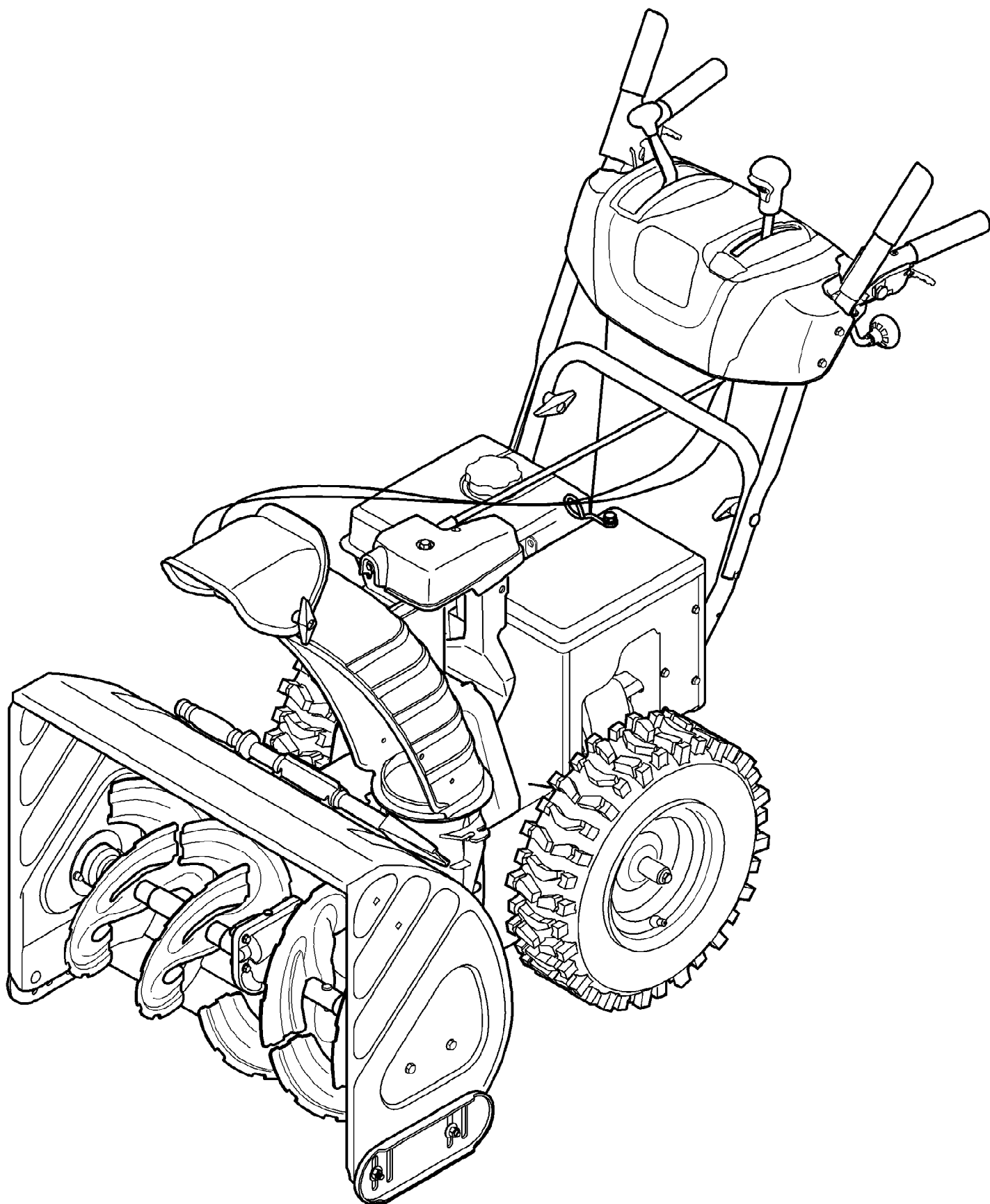
| Ref # | Part Number | Qty | S/P/F | Description |
|-------|-----------------|-----|-------|---|
| 1 | 931-04183 | 1 | /P | Handle Panel Ass'y-Black w/Chute Control |
| 2 | 631-04133A | 1 | /P | LH Clutch Lock Handle Ass'y |
| 3 | 631-04134B | 1 | | RH Clutch Lock Handle Ass'y |
| 4 | 684-04105B | 1 | /P | Engagement Handle Assembly LH - Black |
| 5 | 684-04106B | 1 | /P | Engagement Handle Assembly RH - Black |
| 6 | 710-04326 | 1 | | Screw #8-16 x .50 |
| 7 | 710-3069 | 1 | /P | Hex Cap Socket Screw 1/4-20 x .5 |
| 8 | 710-0837 | 1 | | Oval HD C-Sunk Scr #10 x 5/8 |
| 9 | 710-04586 | 1 | | Hex TT-Tap Scr 1/4-20 x 1.625 |
| 10 | 710-1233 | 1 | /P | Oval C-Sunk Hd Screw 10-24 x 1.375 |
| 11 | 684-04250 | 1 | /P | Pivot Rod |
| 13 | 710-04484 | 1 | | Hex TT Screw 3/8-16 x .75 |
| 14 | 712-04064 | 1 | /P | Hex L-Flanged Nut 1/4-20 Gr. F Nylon |
| 15 | 712-04081A | 1 | | Hex Shoulder Nut 1/4-20 |
| 15 | 712-04064 | 1 | /P | Hex L-Flg Nut 1/4-20 Gr. F Nylon |
| 17 | 749-04191A-0637 | 1 | | Upper Handle LH |
| 18 | 720-0274 | 1 | /P | Grip |
| 19 | 720-04039 | 1 | | Shift Knob |
| 20 | 925-04213 | 1 | /P | Lamp #1295 13AH Models |
| 20 | 725-1629 | 1 | | Lamp (208 cc/179 cc MTD engine) 13AM Models |
| 21 | 725-04314 | 1 | | Wire Harness |
| 22 | 725-04216B | 1 | | Heated Grip Wire Harness |
| 23 | 925-1649 | 1 | /P | Socket |
| 24 | 725-04393 | 1 | | Switch |
| 25 | 725-1757 | 1 | | Heated Grip |
| 26 | 926-0154 | 1 | /P | Cable Tie (w/plug) |
| 27 | 731-04894D | 1 | /P | Lock Plate |
| 28 | 731-04896B | 1 | /P | Clutch Lock Cam |
| 29 | 732-0193 | 1 | /P | Compression Spring .38 ID x .88 Lg |
| 30 | 732-04219C | 1 | /P | Spring: Clutch Lock |
| 31 | 732-04238 | 1 | | Torsion Spring .8156 x .3038 |
| 32 | 935-0199A | 1 | /P | Rubber Bumper |
| 33 | 749-04190A-0637 | 1 | /P | Upper Handle RH |
| 34 | 936-0267 | 1 | /P | Flat Washer .38 ID x .87 OD x .09 |
| 35 | 738-04348 | 1 | /P | Shoulder Screw .437 x 1.345: 1/4-20 |
| 36 | 738-04125 | 1 | | Shoulder Screw .374 Dia. x 1.05 Lg. |
| 38 | 946-04396A | 1 | /P | Selector Speed Cable |
| 39 | 720-04072A | 1 | /P | Handle Knob Assembly |
| 40 | 790-00311A-0637 | 1 | | Shift Lever |
| 41 | 790-00248B-0637 | 1 | /P | Panel Support |
| 42 | 914-0145 | 1 | /P | Cotter Pin |
| 43 | 710-0572 | 1 | /P | Carriage Bolt 5/16-18 x 2.25 |
| 44 | 749-04138A-0637 | 1 | | Lower Handle |
| 45 | 716-04036 | 1 | | E Ring |
| 46 | 731-04913 | 1 | | Steering Control |
| 47 | 738-04126 | 1 | | Pin 3/16 |



31AH55K4897 (2009)
Label Map

Page 24 of 26

| Ref # | Part Number | Qty | S/P/F | Description |
|------------|-------------|-----|-------|-----------------------------------|
| 777CD30130 | 777CD30130 | 1 | | LABEL-SNOW HANDLE PANEL |
| 777CS00071 | 777CS00071 | 1 | | LABEL-DANGER AUGER |
| 777D13865 | 777D13865 | 1 | | LABEL-SNOW AUGR:COLUM 24" |
| 777D13866 | 777D13866 | 1 | | LABEL-SNOW AUGR:COLUM 26" |
| 777D13867 | 777D13867 | 1 | | LABEL-SNOW AUGR:COLUM 28" |
| 777D13868 | 777D13868 | 1 | | LABEL-SNOW AUGR:COLUM 30" |
| 777X43253 | 777X43253 | 1 | | LABEL-SNOW SHROUD 24" |
| 777X43949 | 777X43949 | 1 | | LABEL-SNOW SHROUD 277CC 26" |
| 777X43254 | 777X43254 | 1 | | LABEL-SNOW SHROUD 357CC 28" & 30" |
| 777X43251 | 777X43251 | 1 | | LABEL-SNOW SHROUD MTD ENGINE |
| 777S32823 | N/A | 1 | | Mold In Graphic |
| 777CI00143 | 777CI00143 | 1 | | LABEL-SNOW CONTROL PANEL STYLE 0 |
| 777CI00139 | 777CI00139 | 1 | | LABEL-SNOW CONTROL PANEL |



| Ref # | Part Number | Qty | S/P/F | Description |
|-------|-----------------|-----|-------|--|
| | 951-10292 | 1 | /P | Spark Plug |
| | 731-05632 | 1 | | Key |
| | N/A | 1 | | Extension Cord |
| | 731-2643 | 1 | S | Snow Removal Tool |
| | 746-04229 | 1 | | Drive Cable |
| | 746-04230 | 1 | | Auger Cable |
| | 946-04527 | 1 | /P | Chute Cable |
| | 946-04396A | 1 | /P | Speed Cable |
| | 946-0956B | 1 | /P | Steering Cable |
| | 684-04107-0637 | 1 | | Auger Assembly - LH |
| | 684-04108-0637 | 1 | | Auger Assembly - RH |
| | 790-00120 | 1 | | Shave Plate 24" Models |
| | 790-00121 | 1 | | Shave Plate 26" Models |
| | 790-00118 | 1 | | Shave Plate 28" Models |
| | 790-00119 | 1 | | Shave Plate 30" Models |
| | 684-04057A-0637 | 1 | /P | Impeller Assembly |
| | 790-00091-0606 | 1 | | Slide Shoe |
| | 738-04124A | 1 | /P | Shear Pin |
| | 714-04040 | 1 | | Bow Tie Cotter Pin |
| | 925-04213 | 1 | /P | Lamp #1295 - 26"-30" Models |
| | 725-1629 | 1 | | Lamp - 24" Models |
| | 954-04050 | 1 | /P | Belt .5 x 35" Lg. - 24" Models |
| | 954-04195 | 1 | /P | Belt .5 x 37" Lg. - 26" & 30" Models |
| | 954-0367 | 1 | /P | Belt 3/8 X 34.4" Lg. - 24" Models |
| | 954-04201 | 1 | S | Belt 3/8 X 35.68" Lg. - 26" & 30" Models |
| | N/A | 1 | | Spiral Crescent |
| | N/A | 1 | | Rubber Paddle |
| | 656-04025A | 1 | /P | Friction Wheel |
| | 634-04147A-0911 | 1 | | Wheel Assembly - LH - 24" Models |
| | 634-04148A-0911 | 1 | | Wheel Assembly - RH - 24" Models |
| | 634-04145-0911 | 1 | | Wheel Assembly - LH - 26" Models |
| | 634-04146-0911 | 1 | | Wheel Assembly - RH - 26" Models |
| | 634-04136-0911 | 1 | | Wheel Assembly - LH - 28" & 30" Models |
| | 634-04137-0911 | 1 | | Wheel Assembly - RH - 28" & 30" Models |