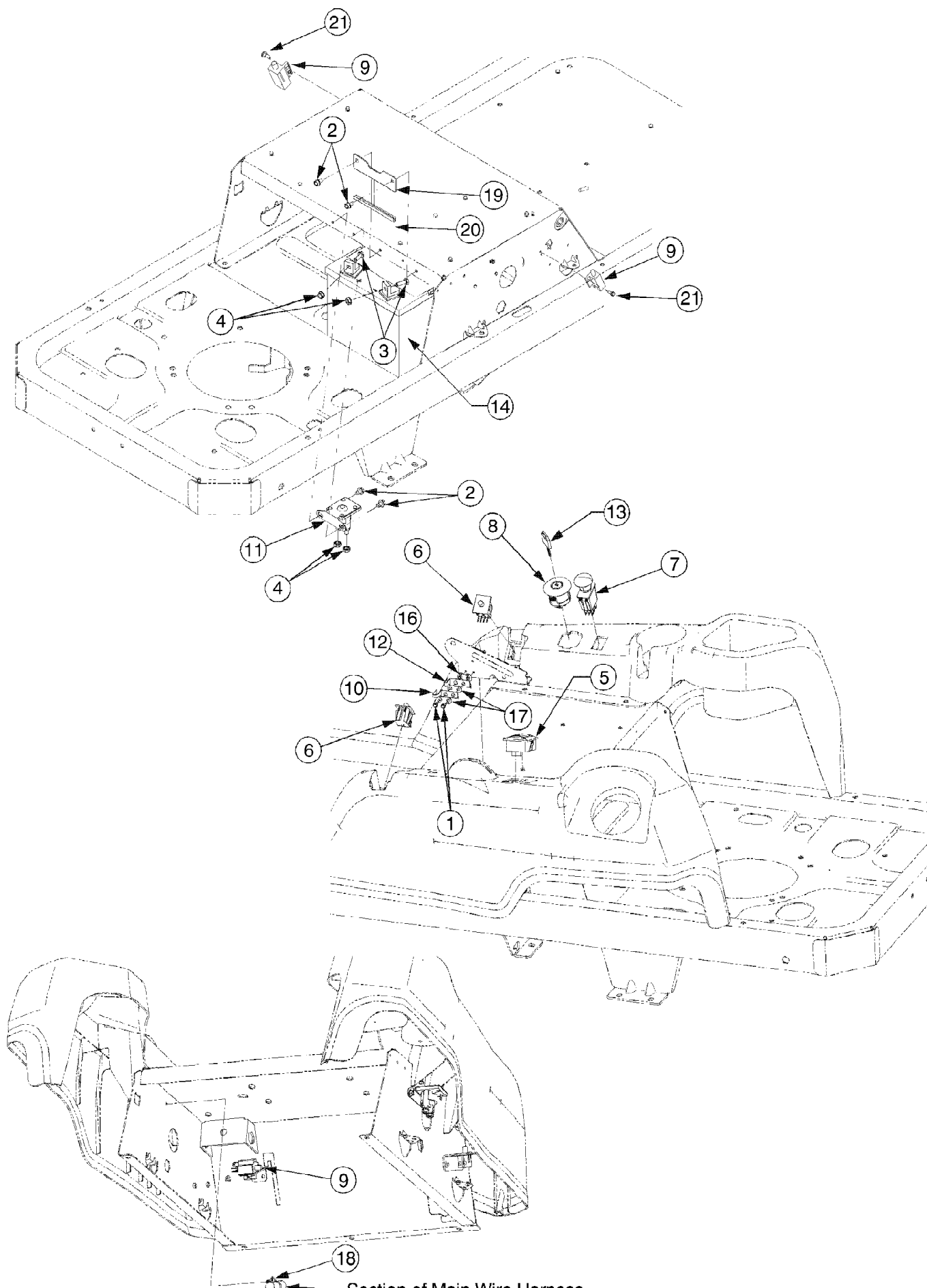


*

17AK2ACP597 (2008)
Controls & Deck Lift

Page 2 of 28

Ref #	Part Number	Qty	S/P/F	Description
1	603-04160B	1	S	Shaft Assembly, Deck Lift
2	603-04322	1		Lever, Lapbar, RH
3	603-04324	1		Lever, Lapbar, LH
4	947-04065	1	/P	Brake Rod
5	747-04226	1	S	Control Shaft
6	703-05387B	1	/P	Lapbar Pivot Bracket
7	703-05396A	1	S	Brake Handle
8	703-05414A	1		Front Deck Hanger Bracket
9	703-06169	1	S	Deck Lift Arm
10	703-05907	1		Lift Link Plate
11	710-0433	1	/P	Hex Bolt 1/4-20 x .625" Lg. Gr. 5
12	710-3005	1	/P	Hex Bolt 3/8-16 x 1.25
13	710-3008	1	/P	Hex Bolt 5/16-18 x .75" Lg. Gr. 5
14	710-3180	1	/P	Hex Screw 5/16-18 x 1.75" Lg.
15	711-0832	1	S	Adjustment Ferrule 3/8-24
16	712-0206	1	S	Hex Nut 1/2-13
17	712-04063	1	/P	Hex. Flanged L-Nut 5/16-18 Gr. F, Nylon
18	712-04064	1	/P	Hex. Flanged L-Nut Hex 1/4-20 Gr. F Nylon
19	712-04065	1	/P	Hex. Flanged L-Nut 3/8-16 Gr. F Nylon
20	712-0431	1	S	Hex. Flanged L-Nut 3/8-16 Gr. F
21	714-0104	1	S	Int. Cotter Pin .072 x 1.13" Lg.
22	716-0106	1	/P	E-ring
23	720-0311	1		Handle Grip
24	727-04141	1		Cylinder, Damper
25	731-04735	1		Handle Grip
26	731-05732	1		Spacer .62 x 1.0
27	731-05882	1		Hand Grip, Soft Touch
27	731-0274	1		Hand Grip, 5.0 LG Standard
28	732-0334	1	S	Compression Spring
29	732-0874	1	/P	Torsion Spring
30	736-0270	1	/P	Cupped Washer .265 ID x .75 OD x .062
31	736-0272	1	S	Flat Washer .53 ID x 1.00 OD x .06
32	736-0275	1	S	Flat Washer .34 ID x .688 OD x .065
33	736-3019	1		Flat Washer .531 ID x 1.0 OD
34	738-0143	1	/P	Shld. Scr. .500 Dia. x .335" Lg.
35	738-0296	1	S	Shoulder Screw
36	738-0507B	1	S	Shoulder Screw .50 Dia.
37	738-0572	1	S	Shoulder Screw .375 x 1.16
38	738-0974	1	S	Shoulder Screw .375 x .38:1/4-20
39	741-0225	1	S	Hex Flange Bearing .630 ID
40	741-3074	1		Flange Bearing .626 x .938 x .344
41	747-04225A	1	/P	Lapbar Control Rod
42	747-04401A	1		Deck Front Hanger Rod
43	747-04637	1		Deck Lift Handle Rod
44	748-04169	1		Control Hub
45	750-04676	1		Spacer, .385 x .63 x .75
46	732-04420	1		Torsion Spring LH
47	732-04421	1		Torsion Spring RH

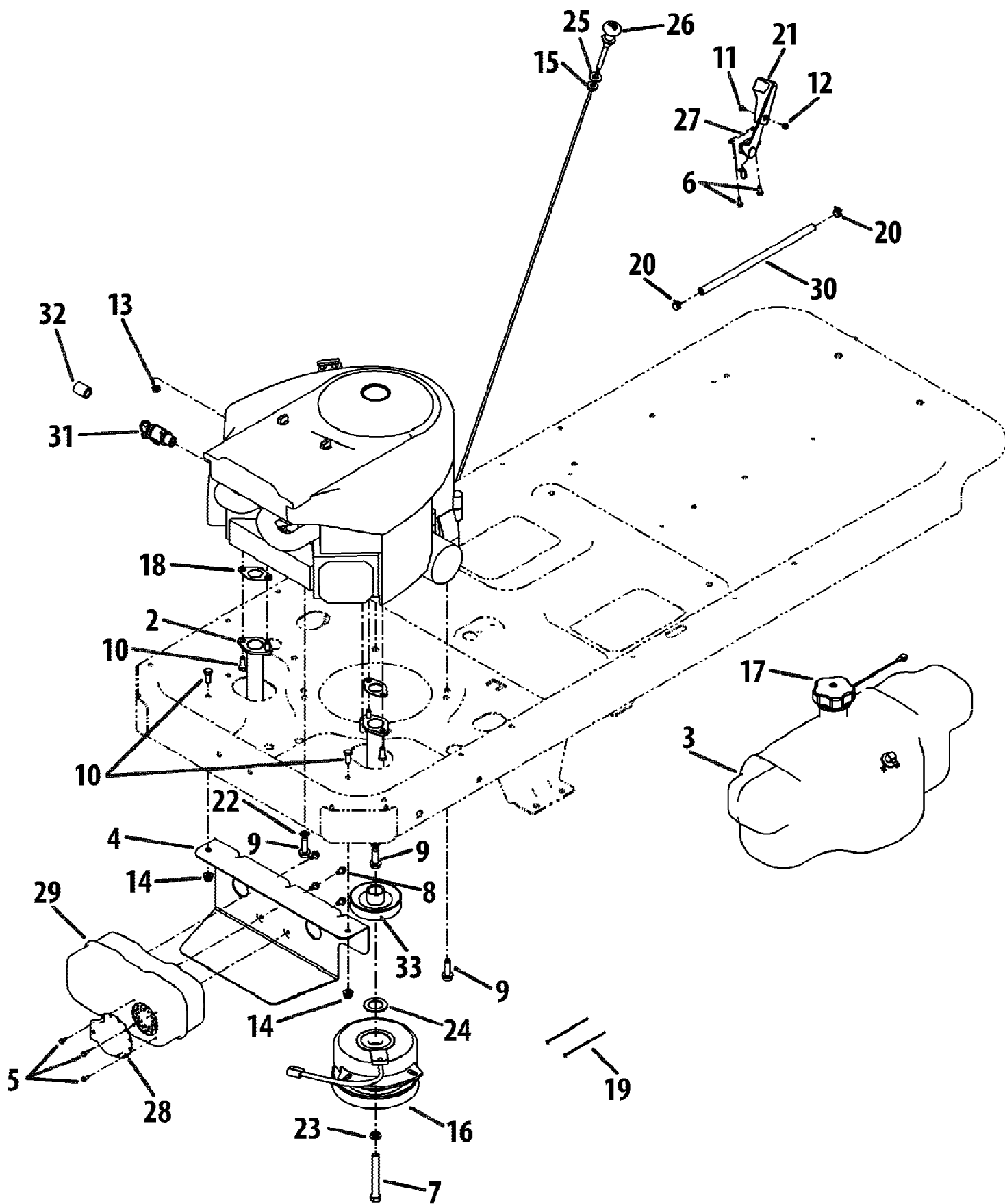


*Section du faisceau principal de fils
(pour référence seulement)*

17AK2ACP597 (2008)
Electrical

Page 4 of 28

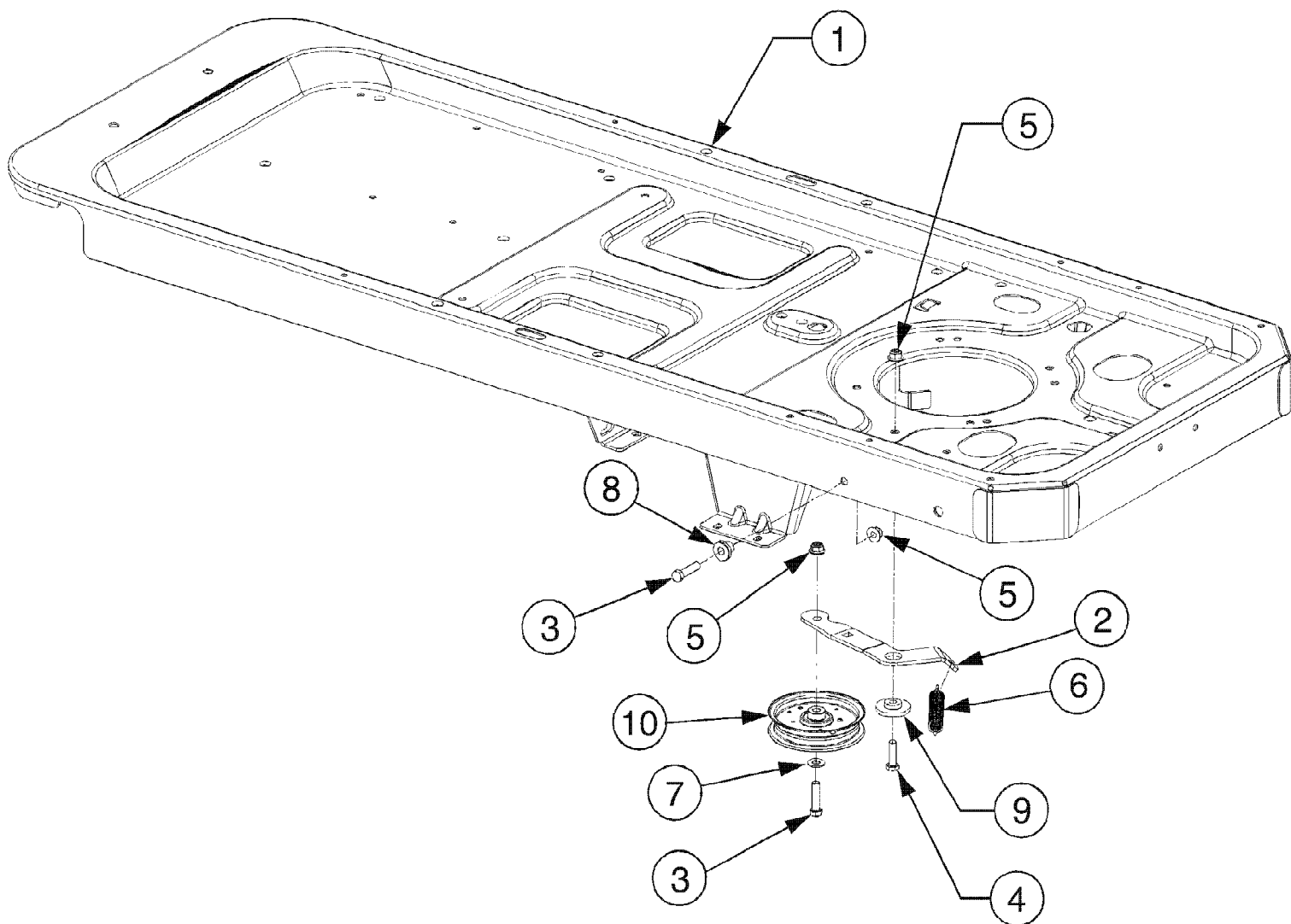
Ref #	Part Number	Qty	S/P/F	Description
1	710-0227	1	/P	Hex Wash HD AB S-Tapp Scr #8-.50
2	710-0653	1	/P	Hex Wash HD Tapp Scr 1/4-20 x .375
3	710-3015	1	/P	Hex Cap Bolt 1/4-20 x .75" Lg.
4	712-0271	1	/P	Sems Hex Nut 1/4-20
5	725-04022B	1	S	Meter, Indicator/Service Monitor
6	725-04165	1	S	Switch, Dbl. Pole - Neutral
7	725-04174	1	S	Switch, PTO
8	725-04228	1	S	Switch, Ignition
9	725-04363	1		Switch, Interlock, (NO-NC)
10	725-1303	1	S	Spring Switch
11	725-04439	1		Solenoid
12	725-1439	1		Seat Spring Switch
13	925-1745	1	S	Key
14	725-1707D	1	S	Battery 245 CCA (Dry)
16	726-0278	1		Insulator Plate
17	726-0279	1		Insulator Plate
18	726-0470	1		Cable Tie 19 x 8.39"
19	703-05894	1	S	Bracket, Battery Holddown
20	731-0511-5	1		Trim Strip 5" Lg.
21	738-04237A	1		Shoulder Screw #10-32 x .5
	725-04621A	1	S	Wire Harness Assembly (Not Shown)



17AK2ACP597 (2008)
Engine Connections 3.5 Gallon Tank

Page 6 of 28

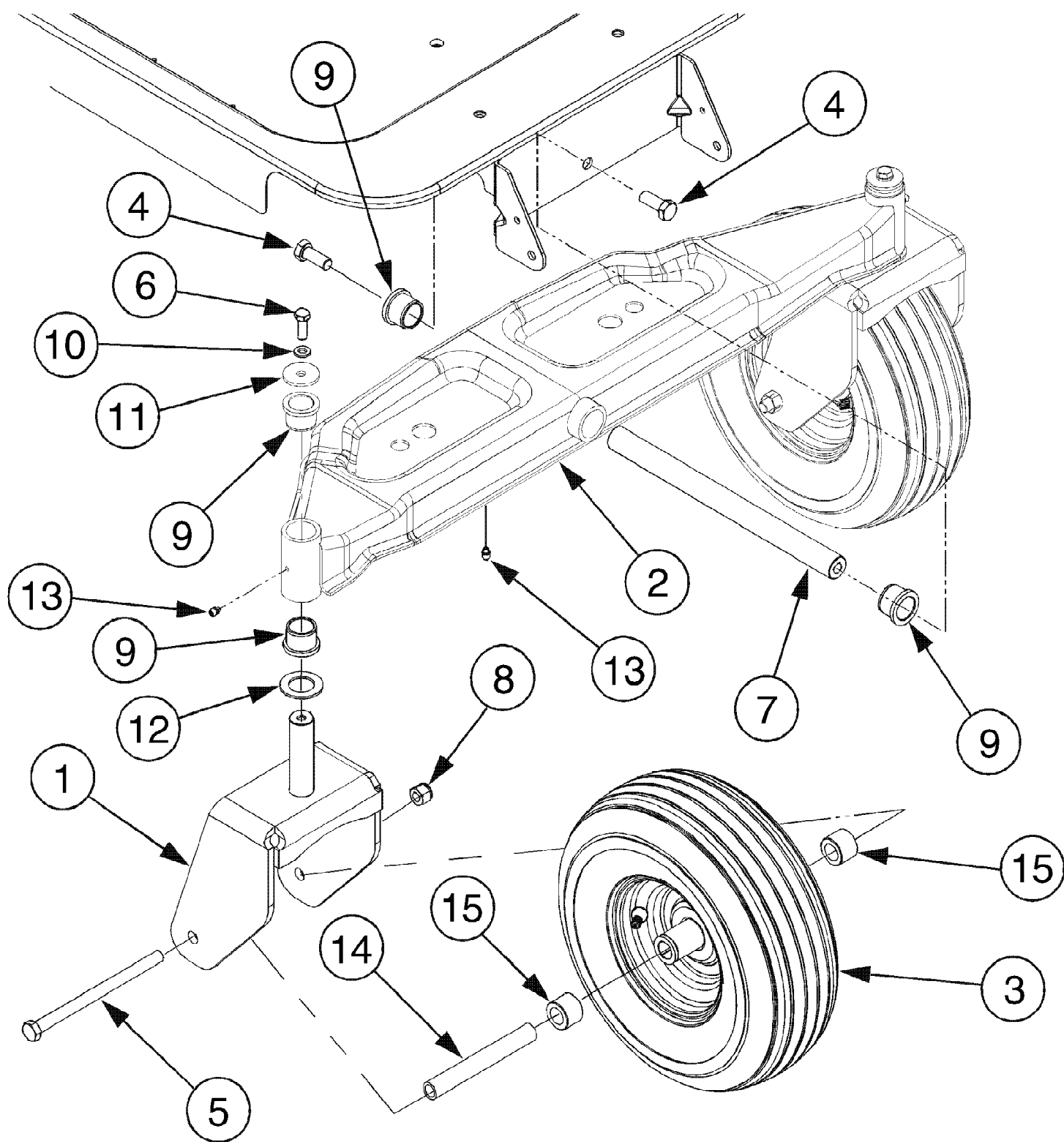
Ref #	Part Number	Qty	S/P/F	Description
1	603-04162	1		Exhaust Tube (RH)
2	603-04163	1		Exhaust tube (LH)
3	751-10692	1		Fuel Tank, 3.5 Gallon
3	751-10442	1		FITTING, FUEL PICKUP Not shown
3	735-0149	1	S	BUSHING, FUEL PICKUP Not shown
4	703-05441A	1	/P	Muffler Bracket
5	710-0227	1	/P	Hex Washer Hd. Screw, #8-18 x .500
6	710-04261	1		Hex Washer Hd. Screw #12-16 x .50
7	710-04379A	1		Hex Screw, 7/16-20 x 3.50
8	710-0599	1	/P	Hex Washer Hd. Screw, 1/4-20 x .500
9	710-1315	1	/P	Hex Wshr. Hd. Screw, 3/8 -16 x 1.250
10	710-3008	1	/P	Hex Screw, 5/16-18 x .75
11	710-3217	1	/P	Machine Screw, #8-32 x .375
12	712-0142	1	/P	Hex Nut, #8-32
13	712-0271	1	/P	Sems Nut, 1/4-20
14	712-04063	1	/P	Flange Lock Nut, 5/16-18
15	712-3005	1	S	Flange Lock Nut, 3/8-16
16	717-04552	1	S	Electric PTO Clutch Assembly (50" Deck)
17	753-05969	1		Fuel Cap
18	721-0460	1		Exhaust Gasket
19	726-0197	1		Cable Tie
20	726-0205	1	/P	Hose Clamp, .490
21	731-04914	1	/P	Throttle Control Knob
22	736-0148	1		External Tooth Lock Washer, 3/8
23	736-0171	1	S	Lock Washer, 7/16
24	736-0277	1		Flat Washer, 1.031 x 1.620 x .095
25	736-0300	1	S	Flat Washer, .406 x .875 x .059
26	746-04214	1	S	Choke Cable, 61.0 Lg
27	746-1086	1	S	Throttle Cable, .39 Lg x .62
28	751-0564B	1	/P	Muffler Deflector
29	751-0616B	1	/P	Dual Inlet Muffler
30	751-10349-13	1	/P	Low Permeation Fuel Hose, 1/4
31	751-10517	1	S	Oil Drain
32	751-3141	1	S	Oil Drain Extension Hose
33	756-04376	1		Drive Pulley replaces 756-0978B in this application.



17AK2ACP597 (2008)
Frame & Drive Idler Assembly

Page 8 of 28

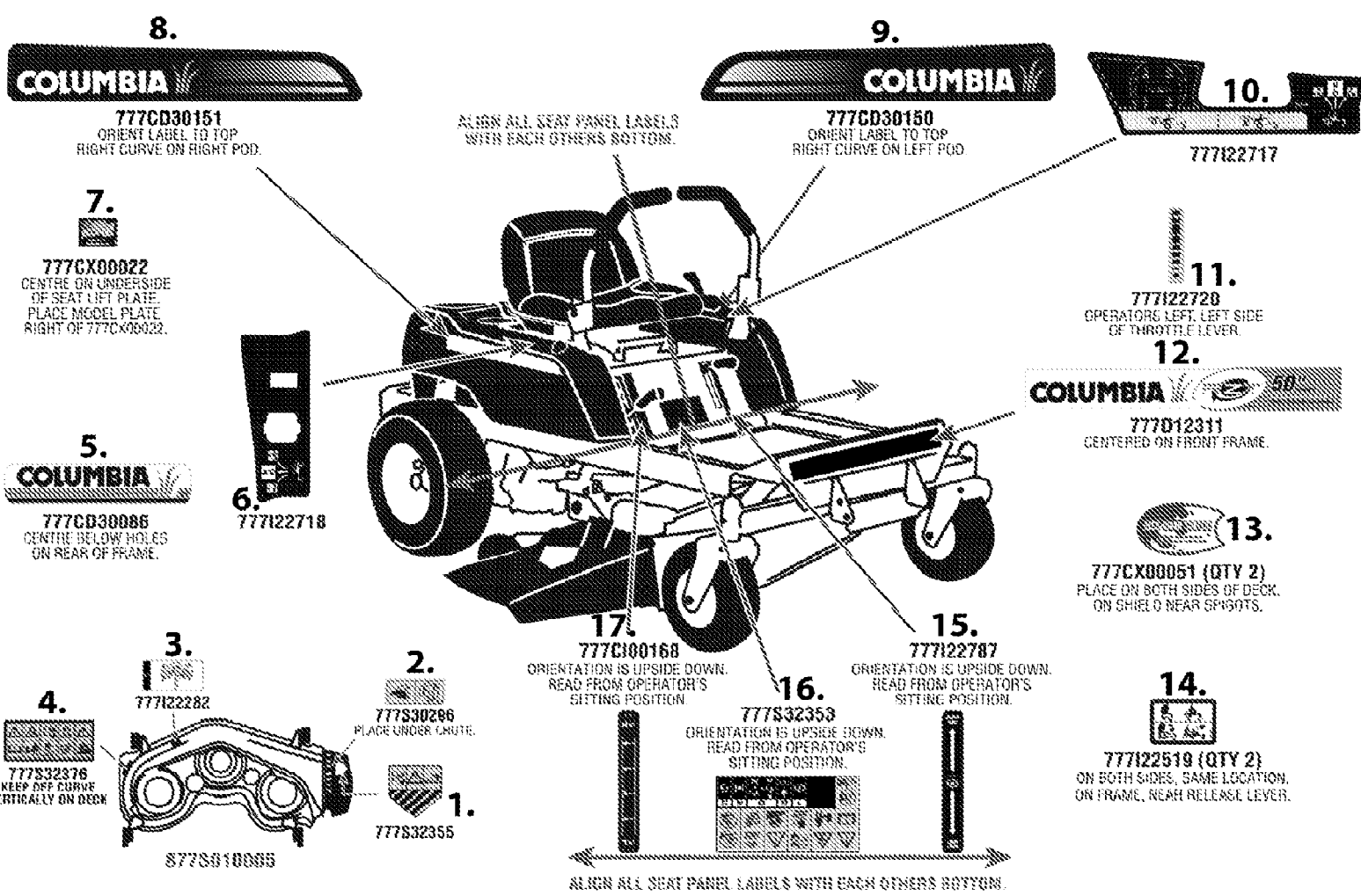
Ref #	Part Number	Qty	S/P/F	Description
1	603-04303E	1		Frame Assembly
2	703-05829	1	/P	Idler Arm, Drive
3	710-0520	1	/P	Hex Screw 3/8-16 x 1.50
4	710-3005	1	/P	Hex Bolt 3/8-16 x 1.25
5	712-04065	1	/P	Flange Lock-Nut 3/8-16 Gr. F Nylon
6	732-0626	1		Ext. Spring 5.06" Lg.
7	736-0300	1	S	Flat Washer .385 ID x .87 OD x .06
8	738-04058	1		Shoulder Spacer .38 x 1.0 x .70
9	738-04162A	1	/P	Shoulder Spacer .884 x .190
10	756-04129	1	S	Idler Pulley w/Flange 4.25 Dia



17AK2ACP597 (2008)
Front Axle & Wheels RZT50

Page 10 of 28

Ref #	Part Number	Qty	S/P/F	Description
1	603-04370	1		Bracket, Caster Wheel
2	603-04385A	1		Axle, Front Pivot
3	634-04323A	1	/P	Wheel Assembly 13 x 5-6 Yellow
3	634-04321A	1	/P	Wheel Assembly 13 x 5-6 Beige
3	734-04255	1		Tire 13 x 5-6
4	710-04186	1	/P	Hex Lock Screw 1/2-13 x 1.25 Gr. 5
5	710-04652	1		Hex Cap Screw 1/2-20 x 7.25 Gr. 5
6	710-0514	1	/P	Hex Screw 3/16 x 1.00
7	711-04228	1	S	Axle Shaft
8	712-3058	1		Hex Insert Lock Nut 1/2-13 Gr.B
9	731-05500	1		Flange Bearing 1.0 x 1,246
10	736-0169	1	S	L-Wash 3/8 ID
11	736-0227	1	S	Flat Washer .39 ID x 1.5 OD x .135
12	736-0250	1	/P	Flat Washer
13	737-3000	1	S	Grease Fitting
14	750-04775A	1	/P	Spacer .51 x .75 x 5.825
15	750-04792	1		Hub .76 x 1.23 x .92

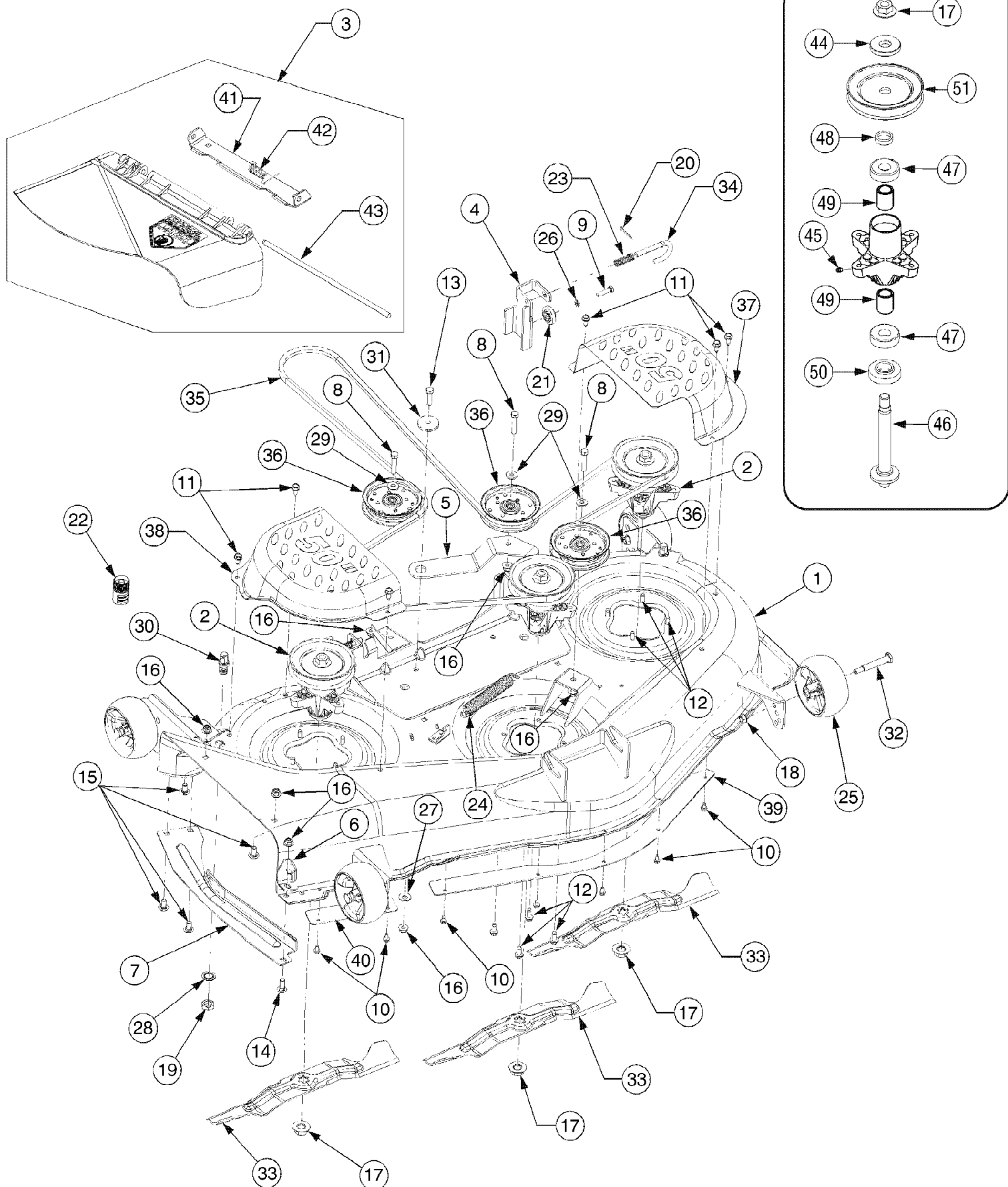


17AK2ACP597 (2008)
Label Map RZT50

Page 12 of 28

Ref #	Part Number	Qty	S/P/F	Description
1	777S32355	1		LABEL:RIDER:SAFETY CHUTE DEFL
2	777S30296	1		LABEL:RIDER DECK: UNDERCHUTE EXP
3	777I22282	1	S	LABEL-BELT ROUTE
4	777S32376	1		LABEL:RIDER:SAFETY DECK
5	777CD30086	1		LABEL-REAR FENDER COLUMBIA
6	777I22718	1		LABEL-RH CONTROL
7	777CX00022	1		LABEL- MADE IN USA
8	777CD30151	1		LABEL-RH POD
9	777CD30150	1		LABEL-LH POD
10	777I22717	1		LABEL-LH CONTROL W/CHOKE
11	777I22720	1		LABEL-THROTTLE
12	777D12311	1		LABEL-FRNT FRAME 50" COLUMBIA
13	777CX00051	1		LABEL-DECK WASH
14	777I22519	1		LABEL-TRNMSN RELEASE
15	777I22787	1		LABEL-PARK BRAKE
16	777S32353	1		LABEL-RDR SAFETY
17	777CI00168	1		LABEL-HANDLE HEIGHT

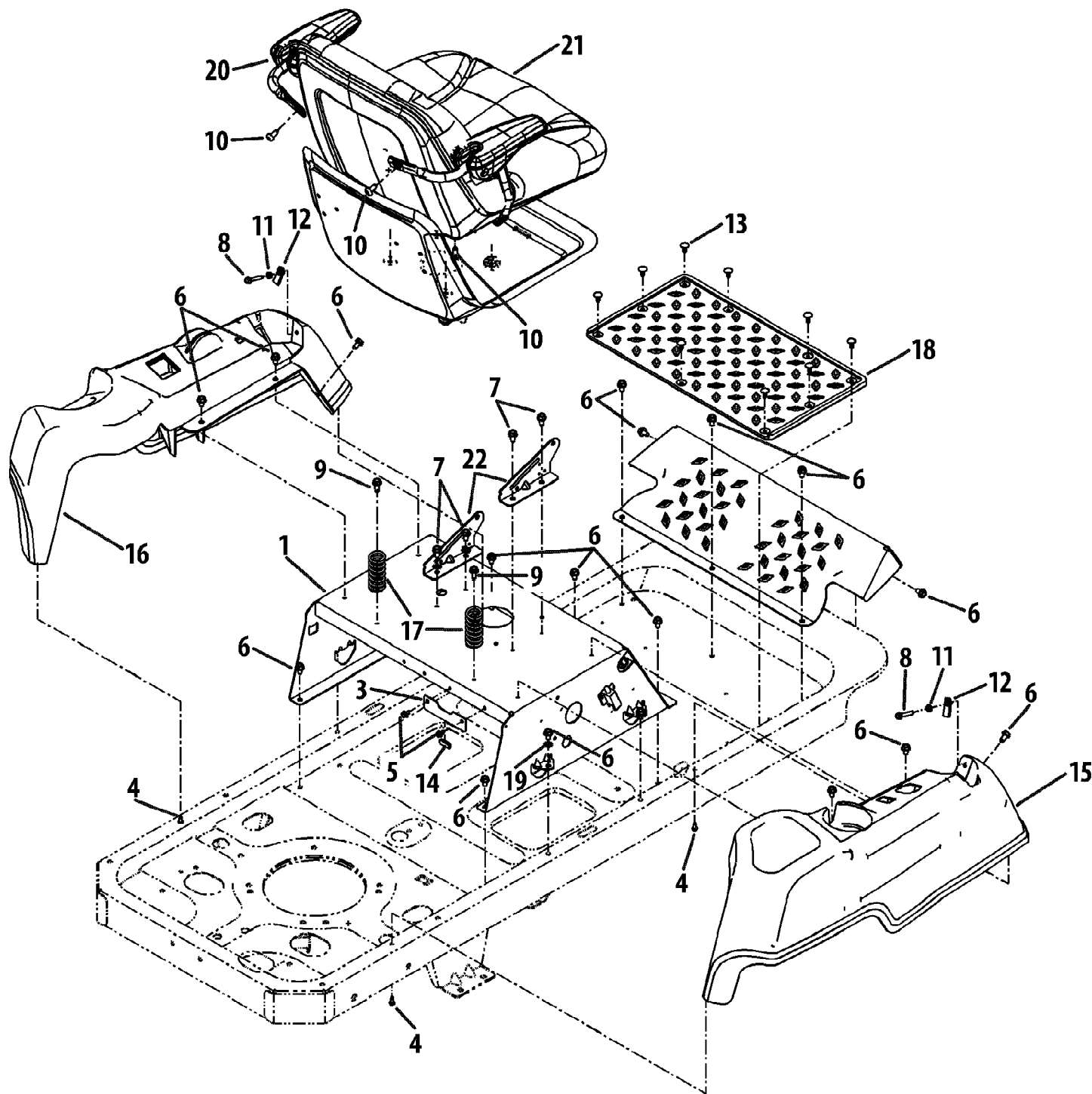
17AK2ACP597 (2008)
Mower Deck RZT50



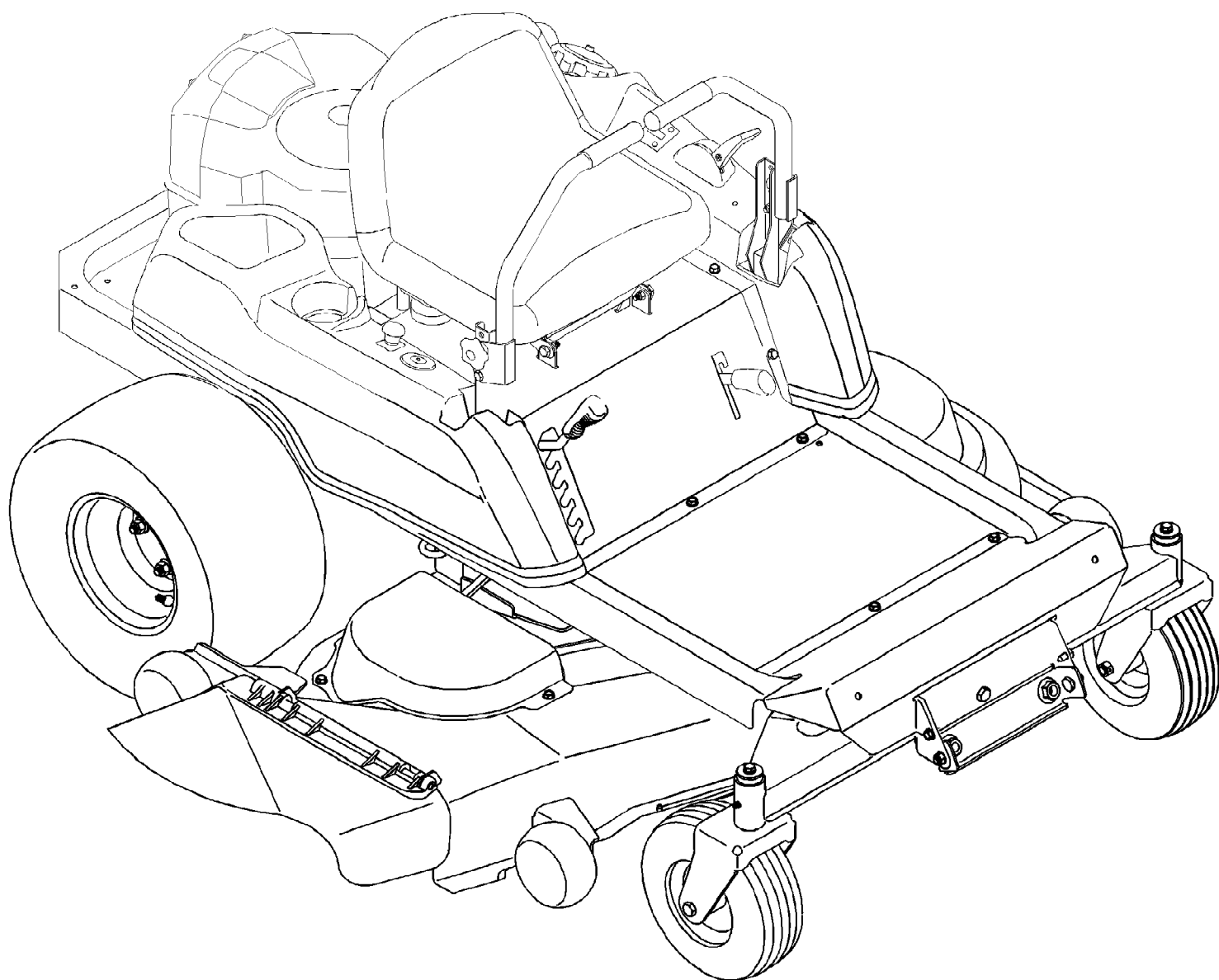
17AK2ACP597 (2008)
Mower Deck RZT50

Page 14 of 28

Ref #	Part Number	Qty	S/P/F	Description
1	603-04328	1	S	Deck Housing
2	618-04125A	1	S	Spindle Assembly
3	631-04070A	1	/P	Discharge Chute Ass'y
4	683-0254	1	S	Deck Adjustment Brack w/Weld Nut
5	703-05825B	1		Idler Arm
6	703-3279	1		Chute Stop Deflector
7	703-3511A	1	S	Guard, Finger
8	710-0347	1	/P	Hex Screw 3/8-16 x 1.75
9	710-0528	1	/P	Hex Bolt 5/16-18 x 1.25
10	710-0599	1	/P	Hex Wash S-Tapp Scr 1/4-20 x .50
11	710-0726	1	/P	Hex Wash HD AB Scr 5/16-12 x .75
12	710-1260A	1	/P	Hex Wash. Hd. Scr. 5/16-18 x .75 Lg.
13	710-3005	1	/P	Hex Bolt 3/8-16 x 1.25
14	710-3168	1	/P	Carriage Bolt 3/8-16 x 1" Lg. Gr. 5
15	710-3178	1	/P	Short Neck Car riage Bolt 3/8-16 x .75
16	712-04065	1	/P	Flange Lock-Nut 3/8-16 Gr. F Nylon
17	712-0417A	1	/P	Hex Flange Nut 5/8-18
18	712-0431	1	S	Hex. Flanged L-Nut 3/8-16 Gr. F
19	712-0641	1	S	Hex Nut M16-1.5 DIN 936
20	714-0470	1	S	Cotter Pin 1/8" Dia x 1.25
21	717-04074	1	S	Deck Adjustment Gear
22	721-04041	1	S	Water Nozzle Adaptor
23	732-0306A	1	S	Comp. Spring .531 OD x 1.75 Lg.
24	732-0459C	1	/P	Extension Spring .94 OD x 6.74
25	734-04155	1		Deck Wheel 5.0
26	736-0119	1	S	L-Wash 5/16 ID
27	736-0407	1		Cupped Washer .45 x 1.0 x .062
28	736-0225	1	/P	L-Washer Internal
29	736-3072	1	/P	Flat Washer .38 x .93 x .11
30	737-04003C	1	S	Port, Water
31	738-04162A	1	/P	Shoulder Spacer .884 x .190
32	738-3056	1	S	Shoulder Screw, 1/2 Diameter x 2.5
33	742-04053C	1	S	Blade 17.9" Lg.
34	747-1116	1	/P	Deck Release Pin
35	754-04044A	1		V-Belt Type A Sec x 134
36	756-04129	1	S	Idler Pulley w/Flange 4.25 Dia
37	783-04399	1		LH Belt Cover
38	783-04400	1		RH Belt Cover
39	783-04414	1	S	Deck Skirt Center
40	783-04415	1		Deck Shirt RH
41	783-05030	1		Chute Mounting Bracket
42	732-04372	1		Torsion Spring
43	711-04565	1		Hinge Pin
44	736-0315	1	/P	Flat Washer .76 ID x 1.5 OD x .12
45	737-3000	1	S	Grease Fitting
46	738-1010A	1	/P	Spindle Shaft 5.75 Lg.
47	741-0919	1	S	Ball Bearing 20 x 47 x 14:6204:DS
48	748-0160A	1		Spacer .79 x 1.25 x .175
49	750-1000	1		Spacer .080 x 1.10 x 1.322" Lg.
50	750-1349A	1	/P	Spacer .79 x 1.82 x .55
51	731-04651	1		Spindle Pulley



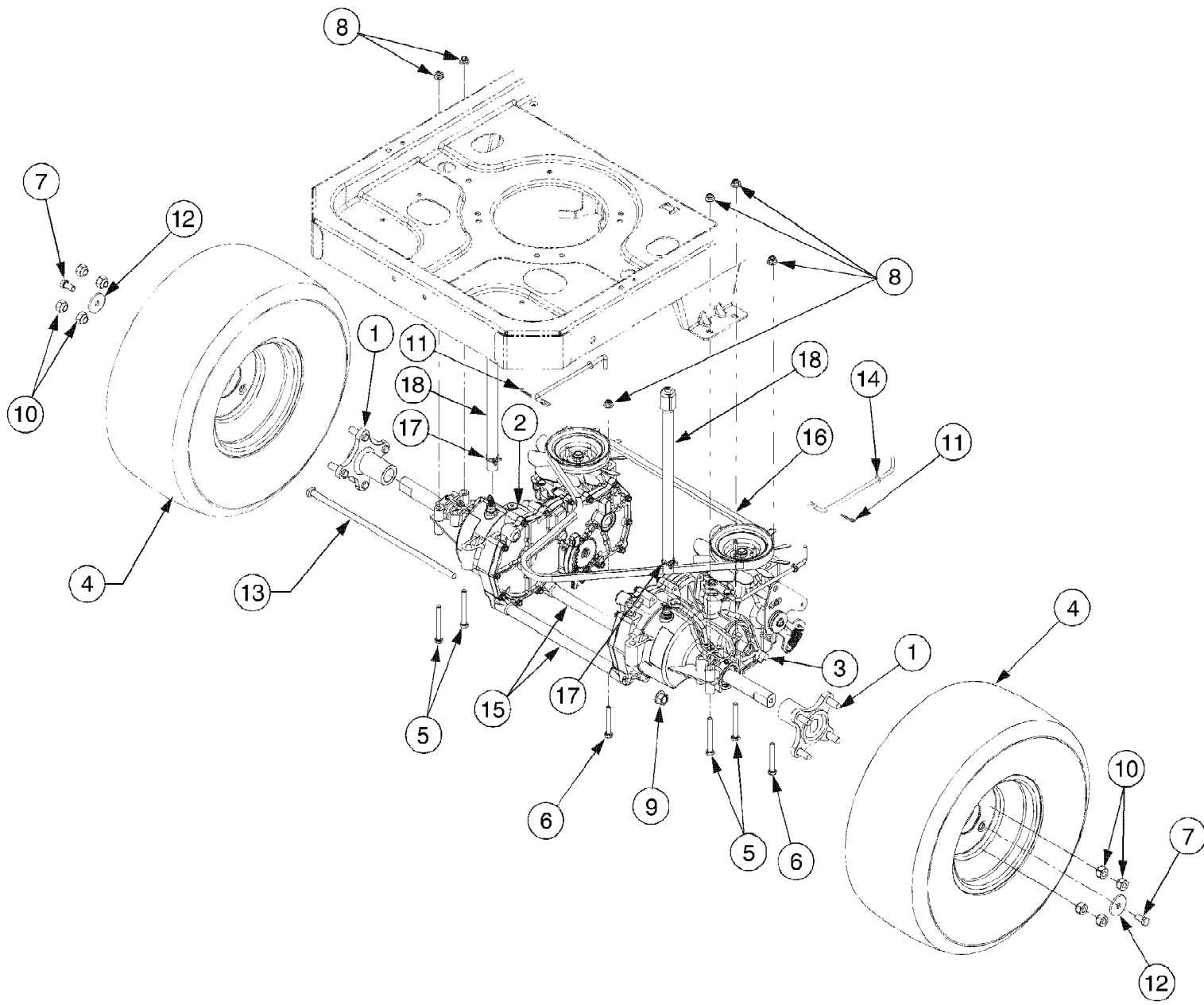
Ref #	Part Number	Qty	S/P/F	Description
1	603-04447A	1		Seat Frame Assembly
2	703-05373B	1		Foot Rest Bracket
3	703-05894	1	S	Battery Hold Down Bracket
4	710-04261	1		Hex Washer Hd. Screw, #12-16 x .50
5	710-0599	1	/P	Hex Washer Hd. Screw, 1/4-20 x .500
6	710-0604A	1	/P	Hex Washer Hd. Screw, 5/16-18 x .625
7	710-0726	1	/P	Hex Washer Hd. Screw, 5/16-12 x .750
8	710-0778	1	/P	Hex Wshr. Hd. Screw, 1/4-20 x 1.500
9	710-1260A	1	/P	Hex Wshr. Hd. Screw, 5/16-18 x .750
10	N/A	1		Hex Screw, 5/16-18 x .750
11	712-0298	1	S	Jam Nut, 1/4-20
12	712-04092	1		Speed Nut, 1/4-20
13	728-3046	1		Ratchet Clip, .250
14	731-0511	1	/P	Trim Strip
15	731-06309	1	S	Console (RH) Oyster Gray
16	731-06310	1	S	Console (LH) Oyster Gray
17	732-04035	1		Compression Spring, 1.28 x 3.125
18	735-04082	1		Foot Pad
19	736-0148	1		External Tooth Lock Washer, 3/8
20	N/A	1		High Back Seat Arm
21	757-04075	1		High Back Seat, Gray
22	783-1489C	1		Seat Bracket



17AK2ACP597 (2008)
Quick Reference

Page 18 of 28

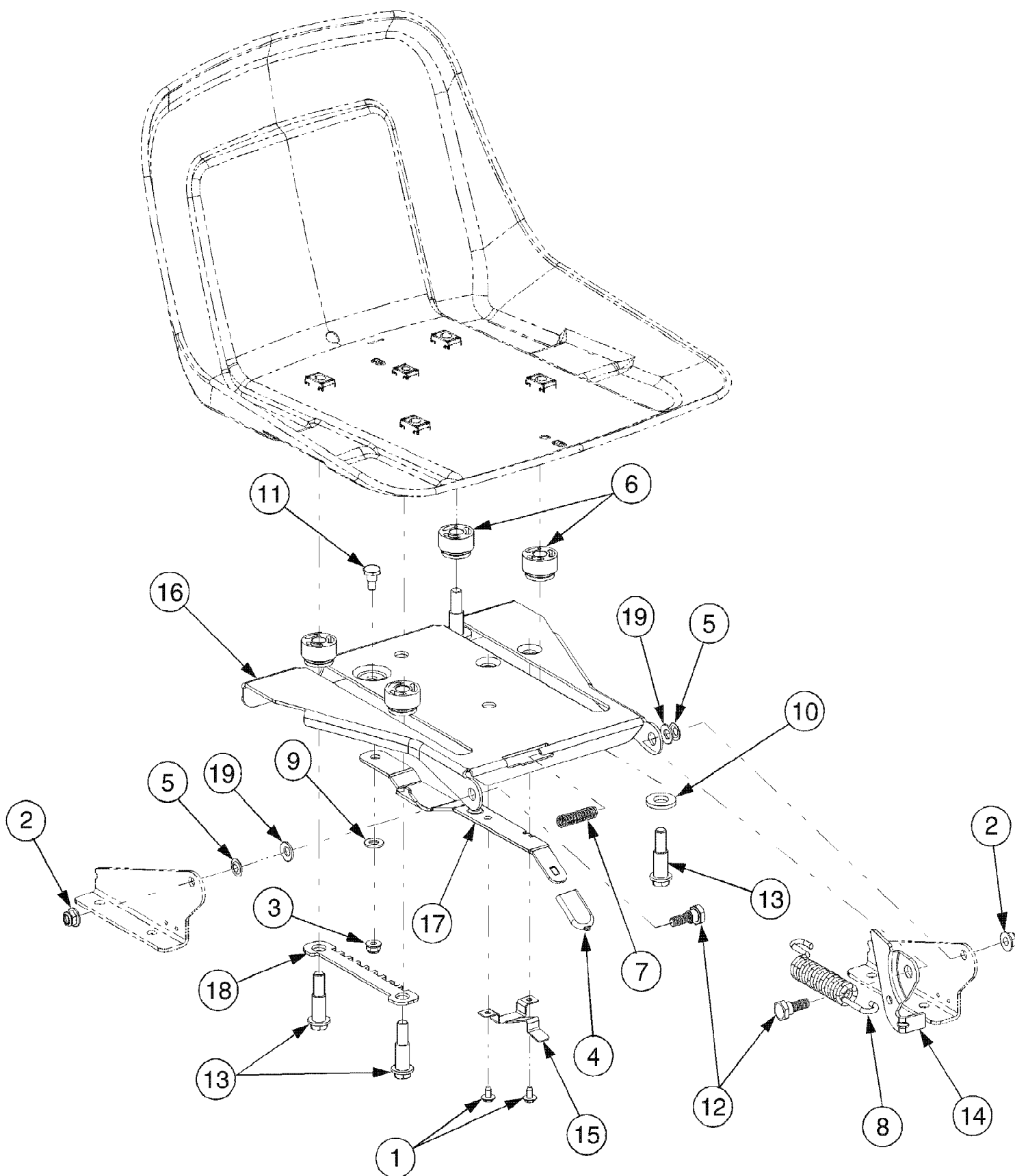
Ref #	Part Number	Qty	S/P/F	Description
	BS-696854	1	/P	Oil Filter
	BS-792105	1	/P	Air Filter ZT50 ONLY
	BS-792303	1	/P	Pre Cleaner ZT50 ONLY
	BS-691035	1	/P	Fuel Filter
	759-3336	1	/P	Spark Plug
	951-3124D	1	S	Fuel Cap ZT42
	753-05969	1		Fuel Cap ZT50
	742-04053C	1	S	Blades ZT50
	942-0616A	1	/P	Blades ZT42
	712-0417A	1	/P	Blade Nut
	618-04125A	1	S	Deck Spindle ZT50
	618-0624	1	S	Deck Spindle ZT42
	738-1010A	1	/P	Spindle Bolt
	754-04043A	1	S	Lower Drive Belt
	N/A	1		Upper Drive Belt
	N/A	1		PTO Belt
	954-04044A	1	/P	Deck Spindle Belt ZT50
	754-04137	1	S	Deck Spindle Belt ZT42
	734-04155	1		Deck Wheels
	721-04041	1	S	Water Nozzle Adapter
	725-1745	1	S	Ignition Keys
	725-04228	1	S	Ignition Switch
	725-04174	1	S	PTO Switch
	717-04376A	1	S	PTO Clutch - Single Cylinder Engine
	717-04552	1	S	PTO Clutch - Twin Cylinder Engine
	631-04070A	1	/P	Discharge Chute ZT50
	731-1032B	1	S	Discharge Chute ZT42



17AK2ACP597 (2008)
Rear Drive & Wheels

Page 20 of 28

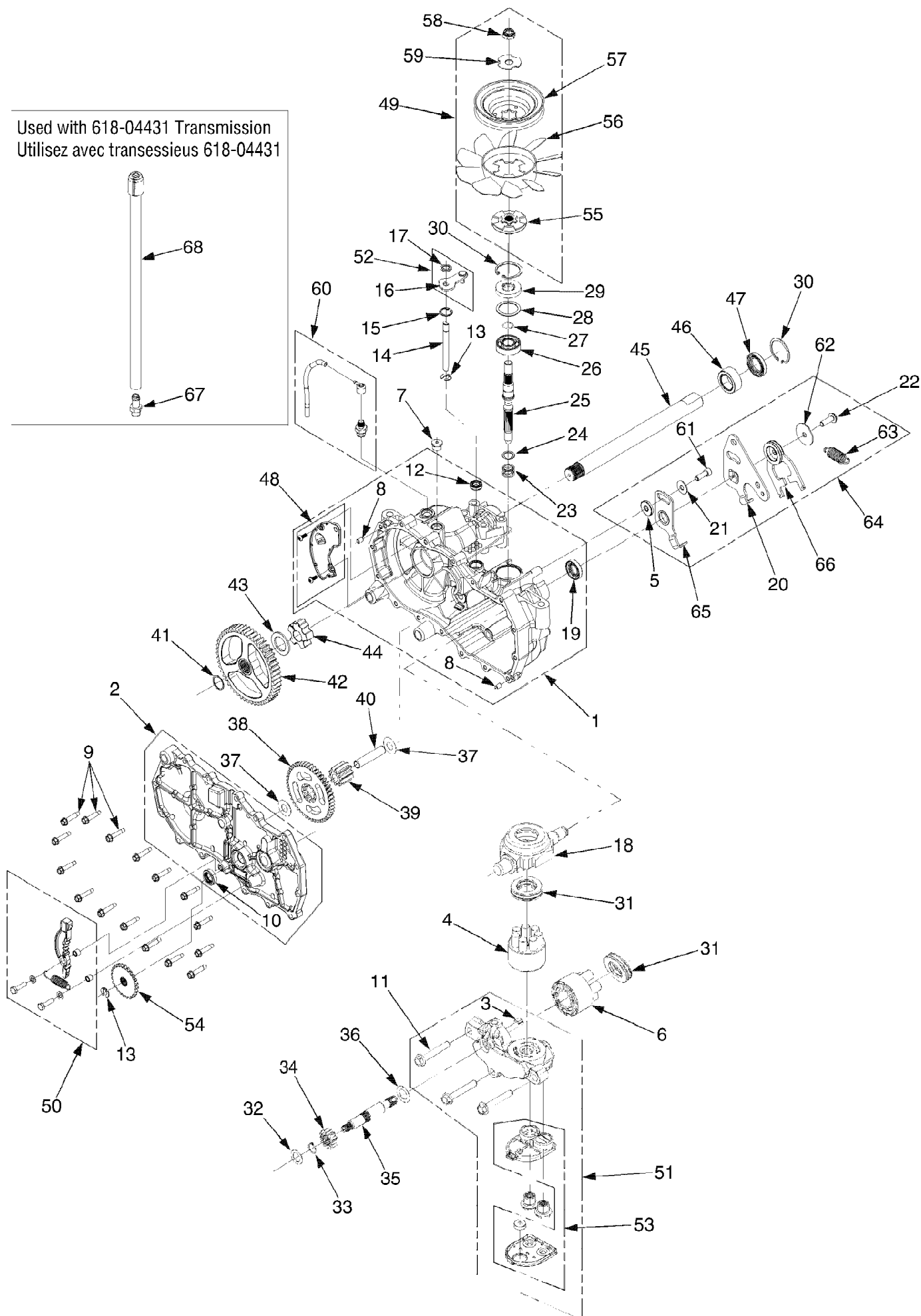
Ref #	Part Number	Qty	S/P/F	Description
1	618-04317	1	S	Wheel Hub
2	618-04431	1	S	Transmission Ass'y, LH Before Production Date A267
2	618-04431A	1	S	Transmission Ass'y, LH After Production Date A267
3	618-04432	1	S	Transmission Ass'y, RH Before Production Date A267
3	618-04432A	1	S	Transmission Ass'y, RH After Production Date A267
4	634-04293	1		Wheel Assembly 18 x 8.5 x 8 - Beige
4	734-04246	1		Tire Only Not shown
4	603-04173	1		Rim Only Not shown
4	634-04294	1		Wheel Assembly 18 x 8.5 x 8 - Grey
4	734-04246	1		Tire Only Not shown
4	603-04173	1		Rim Only Not shown
4	634-04301	1		Wheel Assembly 18 x 8.5 x 8 - Yellow
4	734-04246	1		Tire Only Not shown
4	603-04173	1		Rim Only Not shown
4	634-04171	1	S	Wheel Assembly 18 x 9.5 x 8 - Grey
4	734-1729	1		Tire Only Not shown
4	603-04175	1		Rim Only Not shown
4	634-04128	1		Wheel Assembly 18 x 9.5 x 8 - Yellow
4	734-1729	1		Tire Only Not shown
4	603-04175	1		Rim Only Not shown
5	710-0176	1	/P	Hex Scr 5/16-18 x 2.75
6	710-0395	1	/P	Hex Bolt 5/16-18 x 2.25
7	710-3119	1	/P	Hex Cap Lock Scr. 3/8-16 x .75 Gr. 5
8	712-04063	1	/P	Flange Locknut 5/16-18 Gr. F, Nylon
9	712-0459	1	/P	Flange Lock Nut, 7/16-20
10	712-3050	1	/P	Lug Nut, 7/16-14
11	714-0507	1	S	Cotter Pin 3/32 x .75
12	736-0227	1	S	Flat Washer .39 ID x 1.5 OD x .135
13	738-04192	1		Rod, .405 x 14.0
14	747-04217C	1	S	Rod, Bypass
15	750-04561	1		Tube, .45 x .69 x 10.2
16	754-04043A	1	S	V-Belt, Type A Sec x 57.7
17	726-04059	1		Hose Clamp
18	751-10474	1		Hose, Breather Used ONLY with 618-04431 and 618-04432 Transmissions



17AK2ACP597 (2008)
Seat Adjustment

Page 22 of 28

Ref #	Part Number	Qty	S/P/F	Description
1	710-1268	1	/P	Hex B-Tapp Wash Scr #10-16 x .38
2	712-04063	1	/P	Flange Locknut 5/16-18 Gr. F, Ny Ion
3	712-04064	1	/P	Hex L-Flanged Nut 1/4-20 Gr. F Nylon
4	720-0309A	1	/P	Seat Adjuster Grip
5	726-0201	1		Push Speed Nut
6	731-04074	1		Spacer
7	732-0499	1		Compression Spring .41 x 1.5" Lg
8	732-1184	1	/P	Extension Spring .84 Dia. x 4.6
9	736-0204	1	/P	Flat Washer .34 ID X .62 OD X .03
10	736-3019	1		Flat Washer .531 ID x 1.0 OD
11	738-0137A	1	S	Shoulder Screw .340 x .285: 1/4-20
12	738-0296	1	S	Shoulder Screw
13	738-0966A	1	/P	Shoulder Bolt .5 x .925:3/8-16
14	783-0209D	1	/P	Seat Lift Bracket
15	783-0611	1		Seat Stop
16	783-0738D	1	/P	Seat Pivot Bracket
17	783-0739A	1	S	Seat Adjustment Lever
18	783-0753	1		Seat Adjustment Selector
19	736-0275	1	S	Fl. Wash. .344 ID x .688 OD x .065



17AK2ACP597 (2008)
Transmission LH

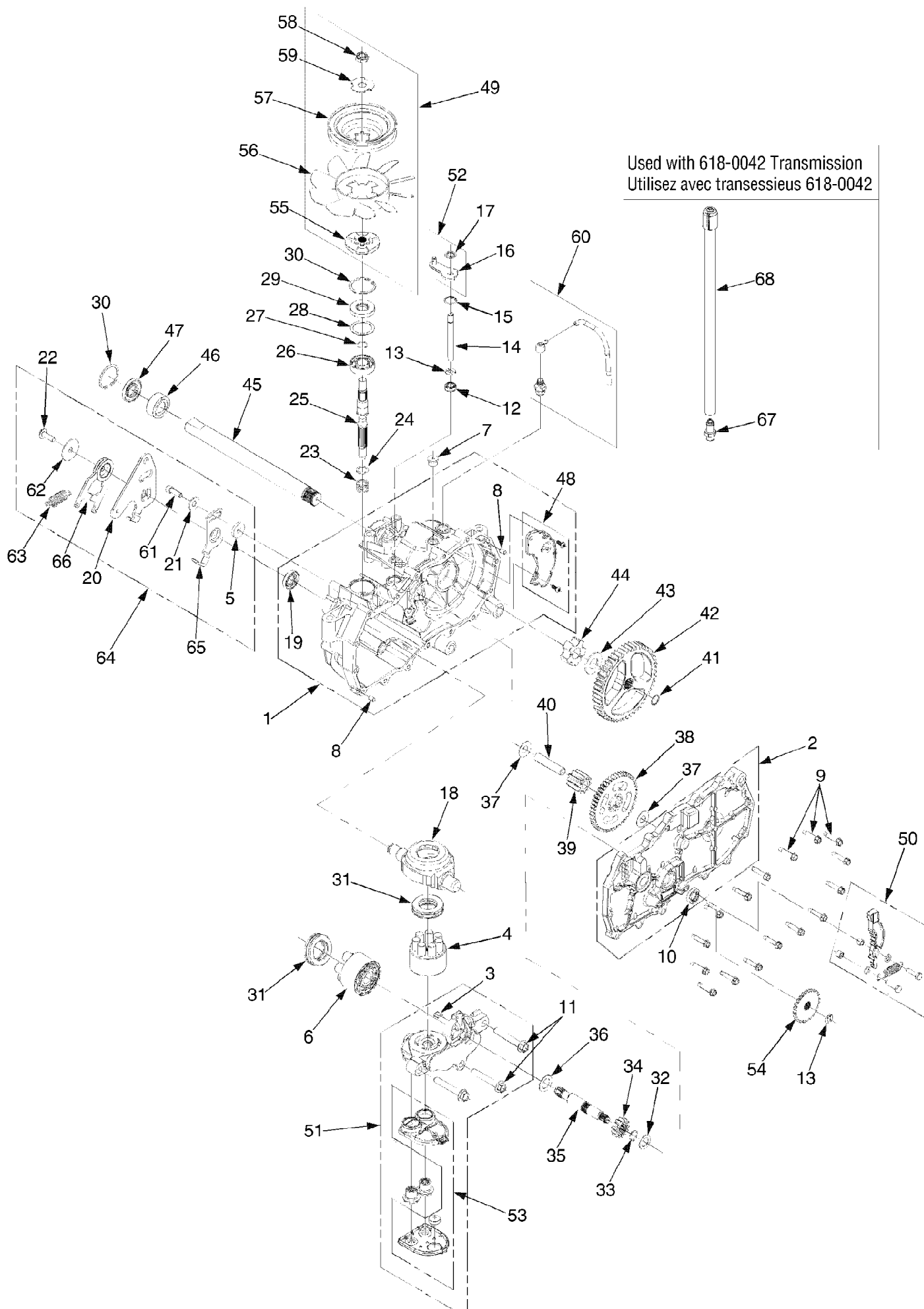
Page 24 of 28

Ref #	Part Number	Qty	S/P/F	Description
1	HG-70862L	1	/P	Housing Ass'y, Main LH
2	HG-70863L	1	/P	Side Assembly LH
3	HG-51448	1		Plate, Bypass
4	HG-70723	1	/P	Block Kit - 7 Piston
5	HG-52527	1		Spacer, .32 x 1.005 x .179
6	HG-70331	1	/P	Block Assembly, Cylinder
7	HG-9005110-5600	1	/P	Straight Thread Pipe
8	HG-9004800-2506	1		Std. Handle Pin
9	HG-51190	1	/P	Hex Flange Screw
10	HG-44761	1	S	Oil Seal .625 x 1.0 x .25
11	HG-50016	1		Screw
12	HG-51626	1		Seal, Lip
13	HG-51628	1	/P	Retaining Ring .375 Ext.
14	HG-51625	1		Rod, Bypass
15	HG-51627	1		Retaining Ring .75 Int.
16	HG-51910	1		Arm, Bypass
17	HG-51630	1	/P	Retaining Ring
18	HG-51048	1	/P	Swashplate, trunnion
19	HG-51140	1	/P	Seal, Lip
20	HG-51842	1		Control Arm LH
21	HG-44130	1	S	Washer 7/16 x 7/8 x .060
22	HG-51812	1	/P	Screw, 5/16-24 x 1.0
23	HG-2003014	1	/P	Block Washer
24	HG-2003017	1	/P	Block Thrust Washer
25	HG-51062	1	/P	Input Shaft
26	HG-50315	1		Ball Bearing
27	HG-2000022	1	/P	Retaining Ring
28	HG-50951	1	/P	Spacer
29	HG-51161	1	/P	Lip Seal
30	HG-50329	1	/P	Retaining Ring
31	HG-50551	1	S	Thrust Washer
32	HG-44371	1	/P	Flat Washer 5/8 x 1.0 x .05
33	HG-44145	1		Retaining Ring
34	HG-51130	1		Gear, Pinion, 13T
35	HG-51632	1		Shaft, Motor
36	HG-51069	1		Motor Shaft Washer
37	HG-50132	1	/P	Washer, HT
38	HG-51129	1		Gear, 10T/48T
39	HG-51043	1	/P	Gear, 10T Jackshaft
40	HG-51083	1		Pin, Jackshaft
41	HG-52531	1		Retaining Ring
42	HG-52541	1		Gear, Bull, 52T
43	HG-52532	1		Washer, 1.018 x 1.57 x .105
44	HG-52542	1		Sleeve Bearing
45	HG-52545	1		Shaft, Axle, 1.0 x 11.7
46	HG-51517	1	/P	Bearing, Sleeve
47	HG-51518	1	/P	Seal, Lip
48	HG-70868L	1		Plate Kit, Expansion
49	HG-71351	1	S	Kit, Fan Pulley
50	HG-71356	1		Kit, Brake Arm
51	HG-71529	1		Kit, Center section
52	HG-71006	1		Kit, Bypass Arm RH
53	HG-71497	1		Filter Assembly

17AK2ACP597 (2008)
Transmission LH

Page 25 of 28

Ref #	Part Number	Qty	S/P/F	Description
54	HG-51635	1	/P	Disc, Brake Cog
55	N/A	1		Hub, Pulley Order Ref No. 49
56	HG-52365	1		Fan, 7" 10 Blade
57	N/A	1		Pulley, 4.5 Order Ref No. 49
58	HG-51244	1	S	Hex Ins. L-Nut 1/2-20
59	HG-51523	1		OD Slotted Washer
60	HG-71510	1	/P	Breather Kit
61	HG-51616	1	S	Screw, Patch 5/16-24 x 1
62	HG-51950	1		Washer, .343 x 1.5 x .062
63	HG-51833	1	S	Extension Spring
64	HG-71094	1		Kit, Return Ass'y LH
65	HG-51946	1		Neutral Arm RH
66	HG-52432	1		Scissors Arm Kit
67	HG-71393	1	/P	Fitting w/cap
68	751-10474	1		Hose Assembly, breather
68	HG-70853	1	/P	Seal Kit
68	HG-50928	1	/P	Sealant



17AK2ACP597 (2008)
Transmission RH

Page 27 of 28

Ref #	Part Number	Qty	S/P/F	Description
1	HG-70862R	1	/P	Housing Ass'y, Main RH
2	HG-70863R	1	/P	Side Ass'y RH
3	HG-51448	1		Plate, By pass
4	HG-70723	1	/P	Block Kit - 7 Pis ton
5	HG-52527	1		Spacer, .32 x 1.005 x .179
6	HG-70331	1	/P	Block Assembly, Cylinder
7	HG-9005110-5600	1	/P	Straight Thread Pipe
8	HG-9004800-2506	1		Std. Handle Pin
9	HG-51190	1	/P	Hex Flange Screw
10	HG-44761	1	S	Oil Seal .625 x 1.0 x .25
11	HG-50016	1		Screw
12	HG-51626	1		Seal, Lip
13	HG-51628	1	/P	Retaining Ring .375 Ext.
14	HG-51625	1		Rod, Bypass
15	HG-51627	1		Retaining Ring .75 Int.
16	HG-51910	1		Arm, Bypass
17	HG-51630	1	/P	Retaining Ring
18	HG-51048	1	/P	Swashplate, trunion
19	HG-51140	1	/P	Seal, Lip
20	HG-51841	1	/P	Control Arm RH
21	HG-44130	1	S	Washer 7/16 x 7/8 x .060
22	HG-51812	1	/P	Screw, 5/16-24 x 1.0
23	HG-2003014	1	/P	Block Washer
24	HG-2003017	1	/P	Block Thrust Washer
25	HG-51062	1	/P	Input Shaft
26	HG-50315	1		Ball Bearing
27	HG-2000022	1	/P	Retaining Ring
28	HG-50951	1	/P	Spacer
29	HG-51161	1	/P	Lip Seal
30	HG-50329	1	/P	Retaining Ring
31	HG-50551	1	S	Thrust Washer
32	HG-44371	1	/P	Flat Washer 5/8 x 1.0 x .05
33	HG-44145	1		Retaining Ring
34	HG-51130	1		Gear, Pinion, 13T
35	HG-51632	1		Shaft, Motor
36	HG-51069	1		Motor Shaft Washer
37	HG-50132	1	/P	Washer, HT
38	HG-51129	1		Gear, 10T/48T
39	HG-51043	1	/P	Gear, 10T Jackshaft
40	HG-51083	1		Pin, Jackshaft
41	HG-52531	1		Retaining Ring
42	HG-52541	1		Gear, Bull, 52T
43	HG-52532	1		Washer, 1.018 x 1.57 x .105
44	HG-52542	1		Sleeve Bearing
45	HG-52545	1		Shaft, Axle, 1.0 x 11.7
46	HG-51517	1	/P	Bearing, Sleeve
47	HG-51518	1	/P	Seal, Lip
47	HG-51518	1	/P	Seal, Lip
48	HG-70868R	1		Plate Kit, Expansion RH
49	HG-71351	1	S	Kit, Fan Pulley
50	HG-71356	1		Kit, Brake Arm
51	HG-71530	1		Kit, Center Section RH
52	HG-71006	1		Kit, Bypass Arm RH

17AK2ACP597 (2008)
Transmission RH

Page 28 of 28

Ref #	Part Number	Qty	S/P/F	Description
53	HG-71497	1	/P	Filter Assembly
54	HG-51635	1	/P	Disc, Brake Cog
55	HG-52366	1		Hub, Pulley Order Ref No. 49
56	N/A	1		Fan, 7" 10 Blade
57	HG-52364	1		Pulley, 4.5 Order Ref No. 49
58	N/A	1		Hex Ins. L-Nut 1/2-20
58	HG-70853	1	/P	Seal Kit
58	HG-50928	1	/P	Sealant
59	HG-51523	1		OD Slot ted Washer
60	HG-71510	1	/P	Breather Kit
60	HG-71510	1	/P	Breather Kit
60	HG-71510	1	/P	Breather Kit
61	HG-51616	1	S	Screw, Patch 5/16-24 x 1
61	HG-51616	1	S	Screw, Patch 5/16-24 x 1
62	HG-51950	1		Washer, .343 x 1.5 x .062
63	HG-51833	1	S	Extension Spring
64	HG-71095	1		Kit, Return Assembly RH
65	HG-51945	1		Arm, neu tral
66	HG-52432	1		Scissors Arm Kit
67	HG-71393	1	/P	Fit ting w/cap