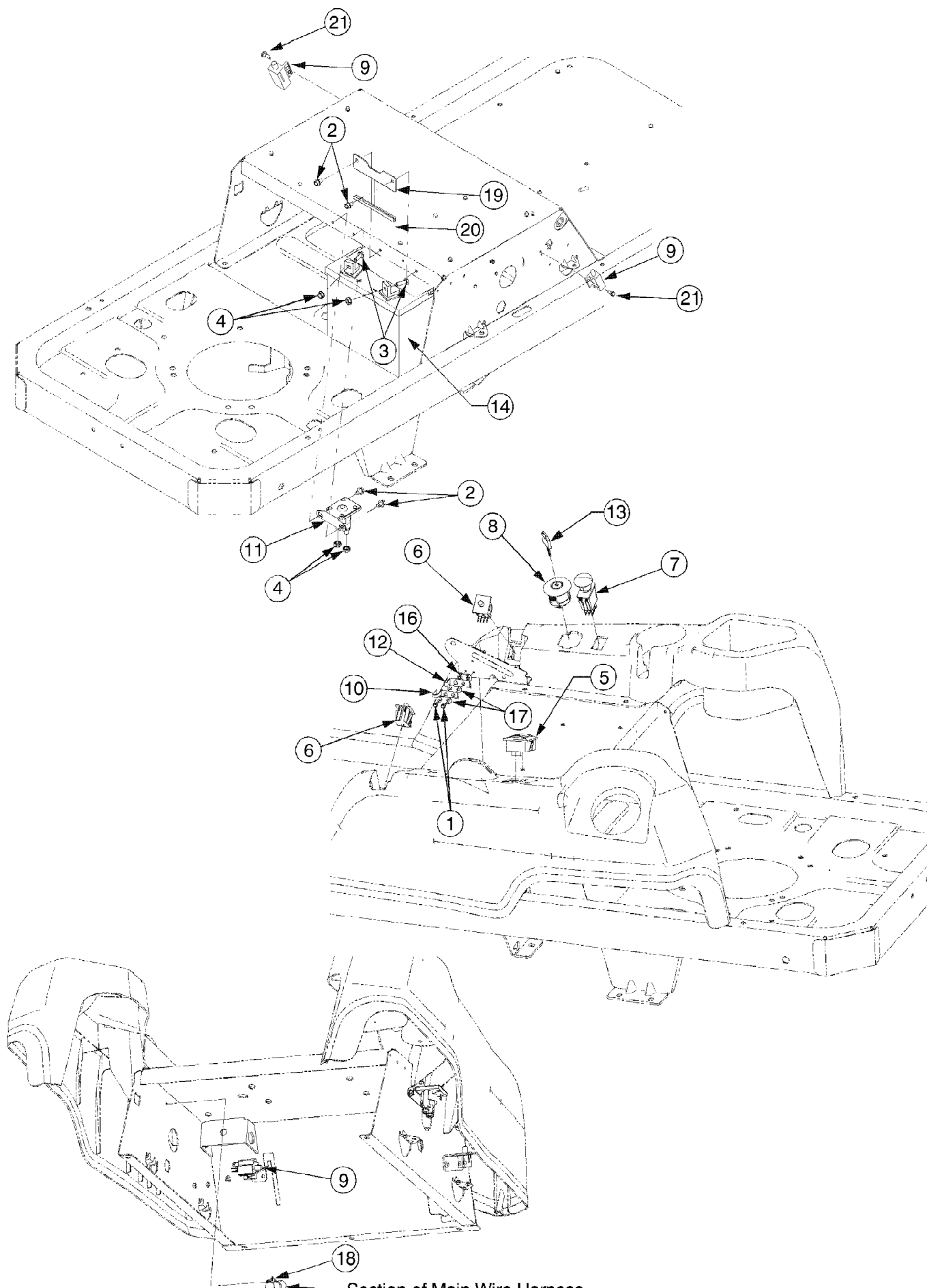


*

17AJ2ACG597 (2008)
Controls & Deck Lift

Page 2 of 28

| Ref # | Part Number | Qty | S/P/F | Description |
|-------|-------------|-----|-------|---|
| 1 | 603-04160B | 1 | S | Shaft Assembly, Deck Lift |
| 2 | 603-04322 | 1 | | Lever, Lapbar, RH |
| 3 | 603-04324 | 1 | | Lever, Lapbar, LH |
| 4 | 947-04065 | 1 | /P | Brake Rod |
| 5 | 747-04226 | 1 | S | Control Shaft |
| 6 | 703-05387B | 1 | /P | Lapbar Pivot Bracket |
| 7 | 703-05396A | 1 | S | Brake Handle |
| 8 | 703-05414A | 1 | | Front Deck Hanger Bracket |
| 9 | 703-06169 | 1 | S | Deck Lift Arm |
| 10 | 703-05907 | 1 | | Lift Link Plate |
| 11 | 710-0433 | 1 | /P | Hex Bolt 1/4-20 x .625" Lg. Gr. 5 |
| 12 | 710-3005 | 1 | /P | Hex Bolt 3/8-16 x 1.25 |
| 13 | 710-3008 | 1 | /P | Hex Bolt 5/16-18 x .75" Lg. Gr. 5 |
| 14 | 710-3180 | 1 | /P | Hex Screw 5/16-18 x 1.75" Lg. |
| 15 | 711-0832 | 1 | S | Adjustment Ferrule 3/8-24 |
| 16 | 712-0206 | 1 | S | Hex Nut 1/2-13 |
| 17 | 712-04063 | 1 | /P | Hex. Flanged L-Nut 5/16-18 Gr. F, Nylon |
| 18 | 712-04064 | 1 | /P | Hex. Flanged L-Nut Hex 1/4-20 Gr. F Nylon |
| 19 | 712-04065 | 1 | /P | Hex. Flanged L-Nut 3/8-16 Gr. F Nylon |
| 20 | 712-0431 | 1 | S | Hex. Flanged L-Nut 3/8-16 Gr. F |
| 21 | 714-0104 | 1 | S | Int. Cotter Pin .072 x 1.13" Lg. |
| 22 | 716-0106 | 1 | /P | E-ring |
| 23 | 720-0311 | 1 | | Handle Grip |
| 24 | 727-04141 | 1 | | Cylinder, Damper |
| 25 | 731-04735 | 1 | | Handle Grip |
| 26 | 731-05732 | 1 | | Spacer .62 x 1.0 |
| 27 | 731-05882 | 1 | | Hand Grip, Soft Touch |
| 27 | 731-0274 | 1 | | Hand Grip, 5.0 LG Standard |
| 28 | 732-0334 | 1 | S | Compression Spring |
| 29 | 732-0874 | 1 | /P | Torsion Spring |
| 30 | 736-0270 | 1 | /P | Cupped Washer .265 ID x .75 OD x .062 |
| 31 | 736-0272 | 1 | S | Flat Washer .53 ID x 1.00 OD x .06 |
| 32 | 736-0275 | 1 | S | Flat Washer .34 ID x .688 OD x .065 |
| 33 | 736-3019 | 1 | | Flat Washer .531 ID x 1.0 OD |
| 34 | 738-0143 | 1 | /P | Shld. Scr. .500 Dia. x .335" Lg. |
| 35 | 738-0296 | 1 | S | Shoulder Screw |
| 36 | 738-0507B | 1 | S | Shoulder Screw .50 Dia. |
| 37 | 738-0572 | 1 | S | Shoulder Screw .375 x 1.16 |
| 38 | 738-0974 | 1 | S | Shoulder Screw .375 x .38:1/4-20 |
| 39 | 741-0225 | 1 | S | Hex Flange Bearing .630 ID |
| 40 | 741-3074 | 1 | | Flange Bearing .626 x .938 x .344 |
| 41 | 747-04225A | 1 | /P | Lapbar Control Rod |
| 42 | 747-04401A | 1 | | Deck Front Hanger Rod |
| 43 | 747-04637 | 1 | | Deck Lift Handle Rod |
| 44 | 748-04169 | 1 | | Control Hub |
| 45 | 750-04676 | 1 | | Spacer, .385 x .63 x .75 |
| 46 | 732-04420 | 1 | | Torsion Spring LH |
| 47 | 732-04421 | 1 | | Torsion Spring RH |

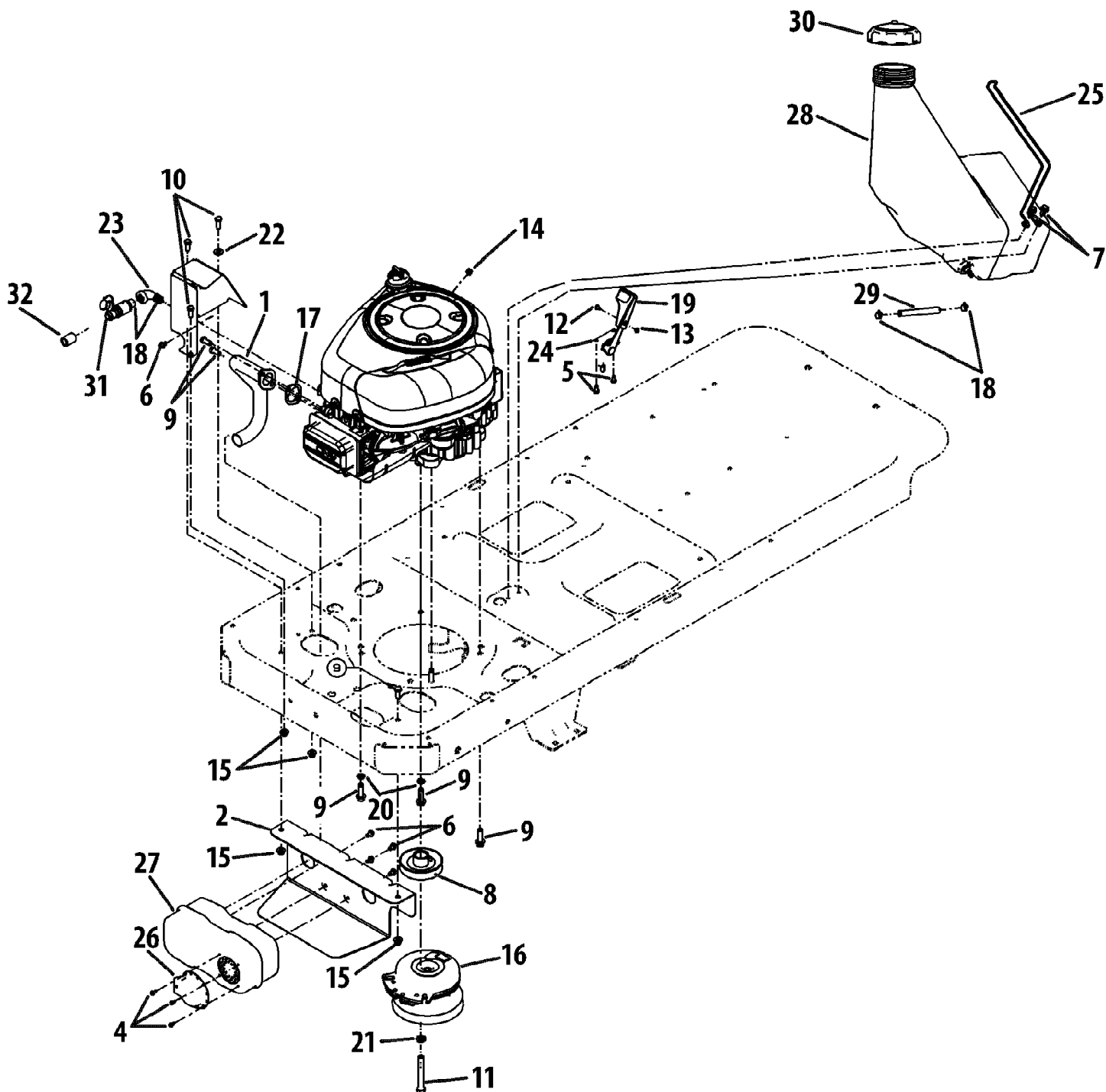


*Section du faisceau principal de fils
(pour référence seulement)*

17AJ2ACG597 (2008)
Electrical

Page 4 of 28

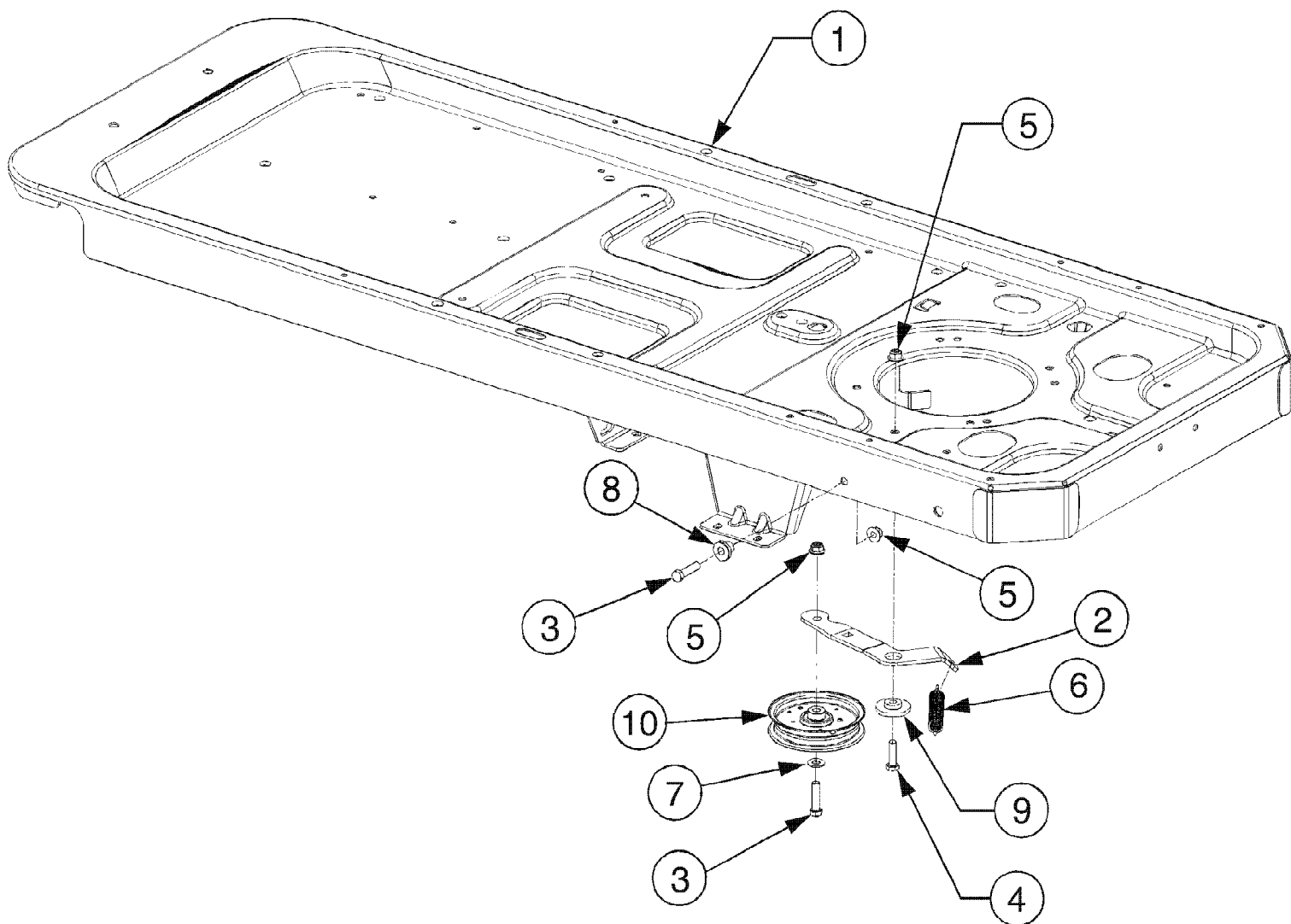
| Ref # | Part Number | Qty | S/P/F | Description |
|-------|-------------|-----|-------|------------------------------------|
| 1 | 710-0227 | 1 | /P | Hex Wash HD AB S-Tapp Scr #8-.50 |
| 2 | 710-0653 | 1 | /P | Hex Wash HD Tapp Scr 1/4-20 x .375 |
| 3 | 710-3015 | 1 | /P | Hex Cap Bolt 1/4-20 x .75" Lg. |
| 4 | 712-0271 | 1 | /P | Sems Hex Nut 1/4-20 |
| 5 | 725-04022B | 1 | S | Meter, Indicator/Service Monitor |
| 6 | 725-04165 | 1 | S | Switch, Dbl. Pole - Neutral |
| 7 | 725-04174 | 1 | S | Switch, PTO |
| 8 | 725-04228 | 1 | S | Switch, Ignition |
| 9 | 725-04363 | 1 | | Switch, Interlock, (NO-NC) |
| 10 | 725-1303 | 1 | S | Spring Switch |
| 11 | 725-04439 | 1 | | Solenoid |
| 12 | 725-1439 | 1 | | Seat Spring Switch |
| 13 | 925-1745 | 1 | S | Key |
| 14 | 725-1707D | 1 | S | Battery 245 CCA (Dry) |
| 16 | 726-0278 | 1 | | Insulator Plate |
| 17 | 726-0279 | 1 | | Insulator Plate |
| 18 | 726-0470 | 1 | | Cable Tie 19 x 8.39" |
| 19 | 703-05894 | 1 | S | Bracket, Battery Holddown |
| 20 | 731-0511-5 | 1 | | Trim Strip 5" Lg. |
| 21 | 738-04237A | 1 | | Shoulder Screw #10-32 x .5 |
| | 725-04621A | 1 | S | Wire Harness Assembly (Not Shown) |



17AJ2ACG597 (2008)
Engine Connections RZT42

Page 6 of 28

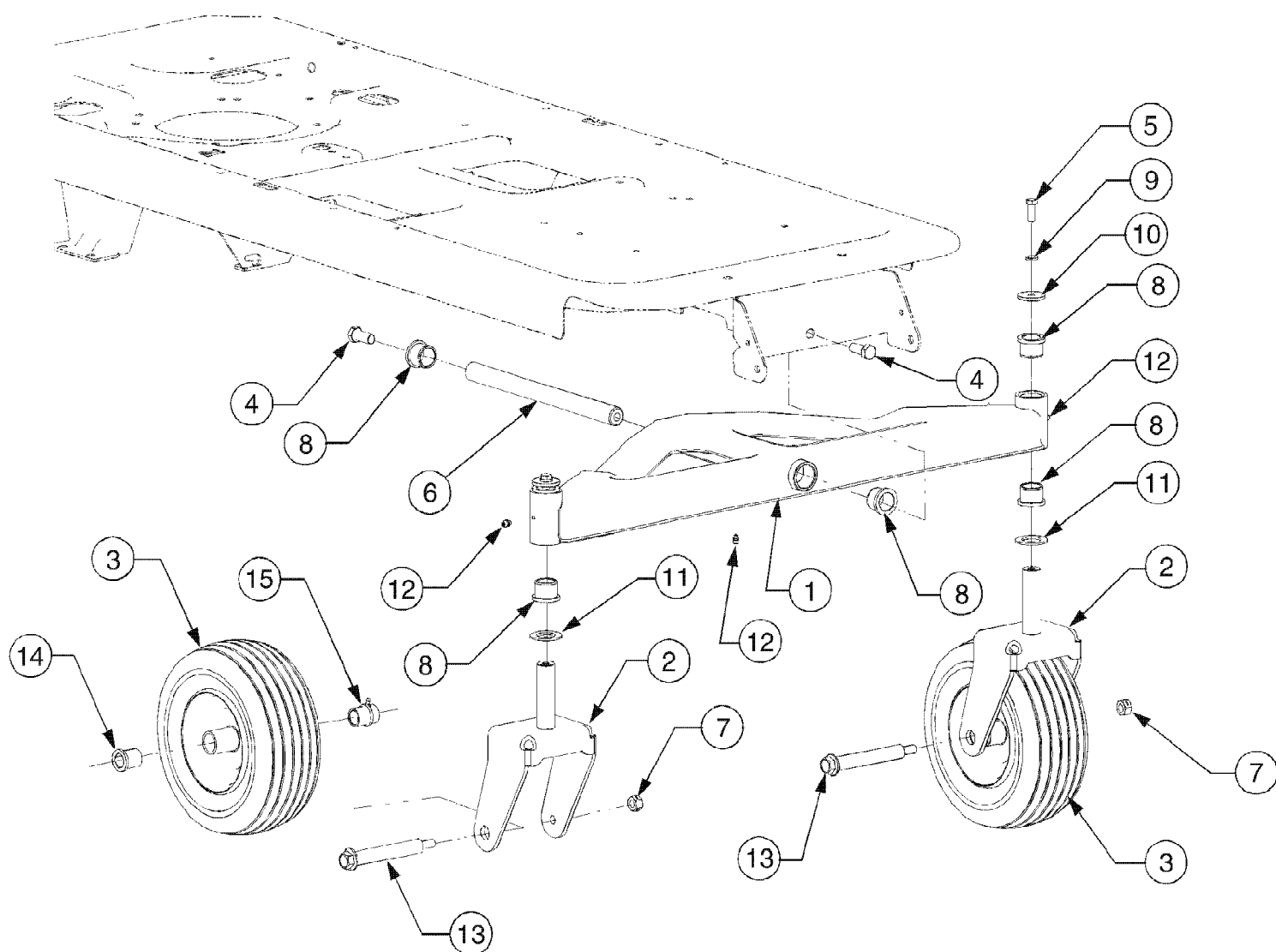
| Ref # | Part Number | Qty | S/P/F | Description |
|-------|-------------|-----|-------|-------------------------------------|
| 1 | 603-04176A | 1 | /P | Exhaust Tube |
| 2 | 703-05441A | 1 | /P | Muffler Mounting Bracket |
| 3 | 703-05870 | 1 | | Muffler Tube Heat Shield |
| 4 | 710-0227 | 1 | /P | Hex Wsh. Hd. Screw, #8-18 x .5 |
| 5 | 710-04261 | 1 | | Hx. Wsh. Hd. Screw, #12-16 x .5 |
| 6 | 710-0599 | 1 | /P | Hx. Wsh. Hd. Screw, 1/4-20 x .5 |
| 7 | 710-0726 | 1 | /P | Hx. Wsh. Hd. Screw, 5/16-12 x .75 |
| 8 | 756-0978B | 1 | /P | Drive Pulley |
| 9 | 710-1315 | 1 | /P | Hx. Wsh. Hd. Screw, 3/8-16 x 1.25 |
| 10 | 710-3008 | 1 | /P | Hex Cap Screw, 5/16-18 x .75 |
| 11 | 710-3157A | 1 | /P | Hx Cap Lk. Screw, 7/16-20 x 3.25 |
| 12 | 710-3217 | 1 | /P | Truss Hd. Mach. Screw, #8-32 x .375 |
| 13 | 712-0142 | 1 | /P | Hex Nut, #8-32 |
| 14 | 712-0271 | 1 | /P | Hex Sems Nut, 1/4-20 |
| 15 | 712-04063 | 1 | /P | Hx. Insert Flange Lck Nut, 5/16-18 |
| 16 | 717-04376 | 1 | S | Electric PTO Clutch Assembly |
| 17 | 721-0208 | 1 | S | Exhaust Gasket (B&S- 272293) |
| 18 | 726-0205 | 1 | /P | Hose Clamp |
| 19 | 731-04914 | 1 | /P | Throttle Control Knob |
| 20 | 736-0148 | 1 | | Ext. Tooth Lock Washer, 3/8 |
| 21 | 736-0171 | 1 | S | Lock Washer, 7/16 |
| 22 | 736-3008 | 1 | S | Flat Washer, .344 x .75 x .12 |
| 23 | 737-0125 | 1 | | Elbow Fitting |
| 24 | 746-04161 | 1 | S | Throttle Cable, 39.0 Lg |
| 25 | 747-04228A | 1 | | Tank Mounting Wire |
| 26 | 751-0564B | 1 | /P | Muffler Deflector |
| 27 | 751-0617B | 1 | S | Muffler |
| 28 | 751-10057D | 1 | /P | Fuel Tank, 3.0 Gal. |
| 29 | 751-10349 | 1 | | Fuel Line Hose |
| 30 | 751-3124D | 1 | S | Fuel Cap |
| 31 | 751-10517 | 1 | S | Oil Drain Valve |
| 32 | 751-3141 | 1 | S | Oil Drain Extension Hose |



17AJ2ACG597 (2008)
Frame & Drive Idler Assembly

Page 8 of 28

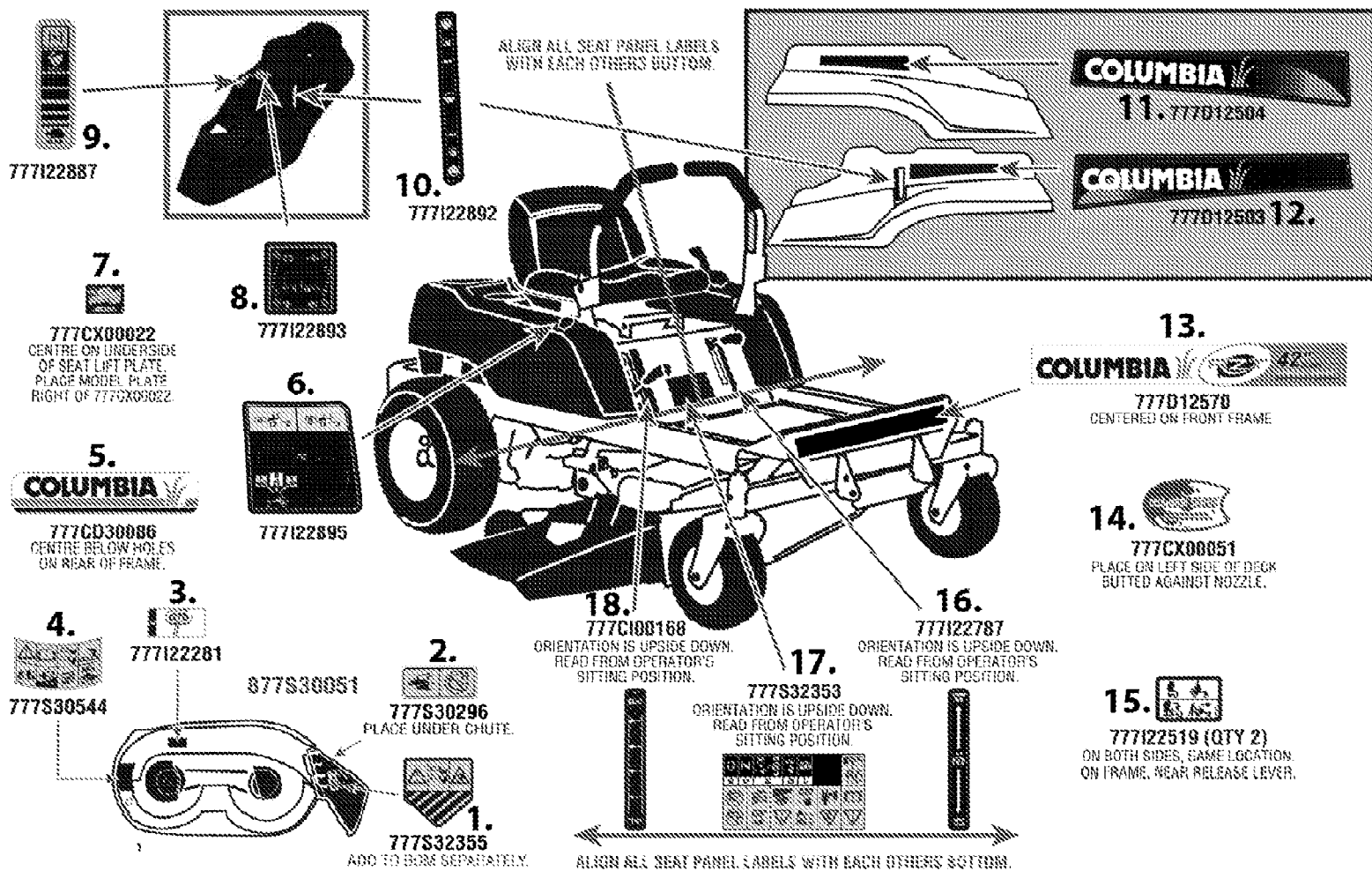
| Ref # | Part Number | Qty | S/P/F | Description |
|-------|-------------|-----|-------|------------------------------------|
| 1 | 603-04303E | 1 | | Frame Assembly |
| 2 | 703-05829 | 1 | /P | Idler Arm, Drive |
| 3 | 710-0520 | 1 | /P | Hex Screw 3/8-16 x 1.50 |
| 4 | 710-3005 | 1 | /P | Hex Bolt 3/8-16 x 1.25 |
| 5 | 712-04065 | 1 | /P | Flange Lock-Nut 3/8-16 Gr. F Nylon |
| 6 | 732-0626 | 1 | | Ext. Spring 5.06" Lg. |
| 7 | 736-0300 | 1 | S | Flat Washer .385 ID x .87 OD x .06 |
| 8 | 738-04058 | 1 | | Shoulder Spacer .38 x 1.0 x .70 |
| 9 | 738-04162A | 1 | /P | Shoulder Spacer .884 x .190 |
| 10 | 756-04129 | 1 | S | Idler Pulley w/Flange 4.25 Dia |



17AJ2ACG597 (2008)
Front Axle & Wheels RZT42

Page 10 of 28

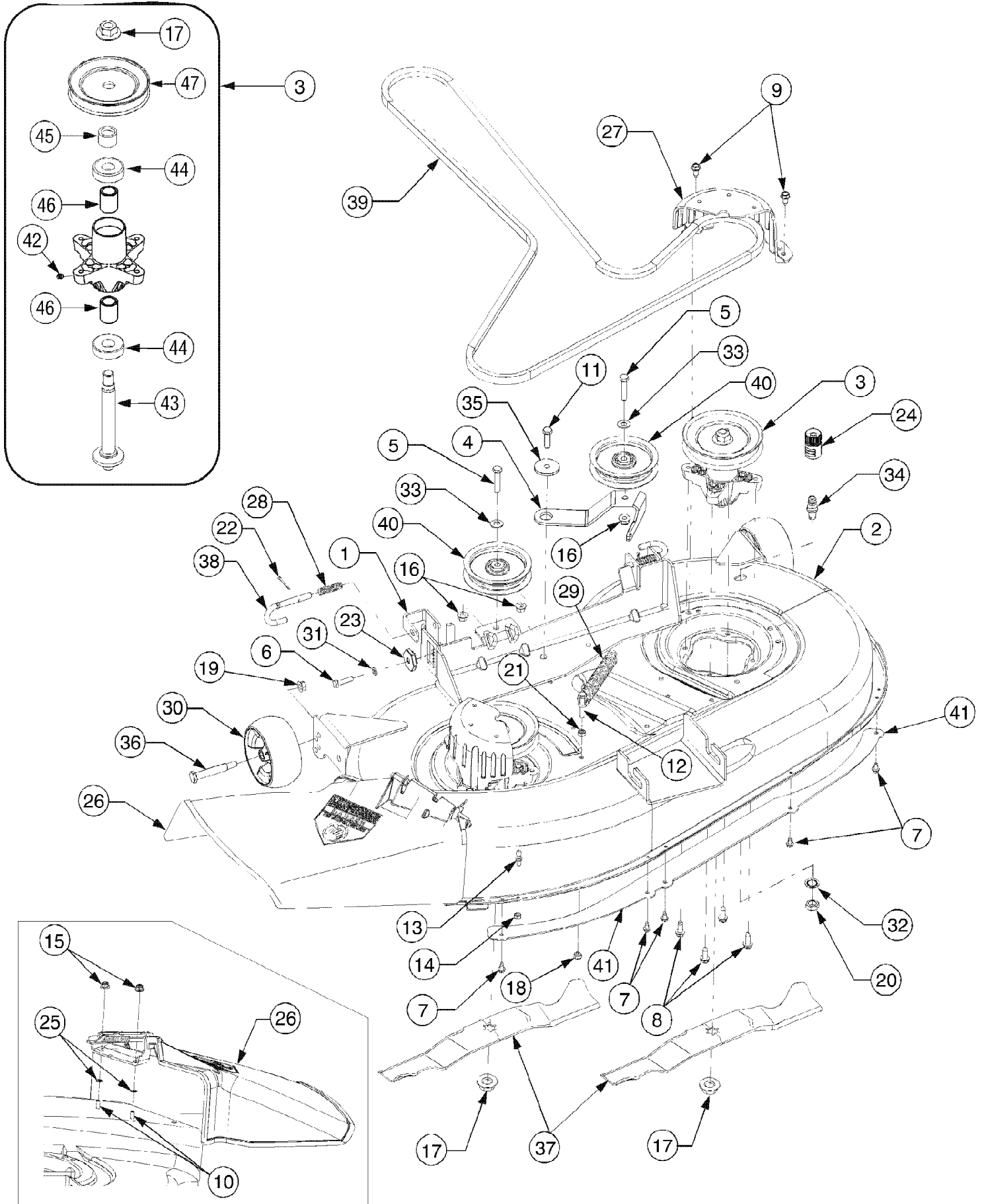
| Ref # | Part Number | Qty | S/P/F | Description |
|-------|-------------|-----|-------|--------------------------------------|
| 1 | 603-04148C | 1 | | Front Pivot Axle |
| 2 | 603-04308 | 1 | | Caster Wheel Bracket |
| 3 | 634-04212A | 1 | S | Wheel Ass'y 11 .0 x 4.0 x 5.0 Beige |
| 3 | 634-04277A | 1 | /P | Wheel Ass'y 11 .0 x 4.0 x 5.0 Yellow |
| 3 | 734-0255 | 1 | S | Air Valve (Not Shown) |
| 4 | 710-04186 | 1 | /P | Hex Lock Screw 1/2-13 x 1.25 Gr. 5 |
| 5 | 710-0514 | 1 | /P | Hex Screw 3/16 x 1.00 |
| 6 | 711-04228 | 1 | S | Axle Shaft |
| 7 | 712-3022 | 1 | /P | Hex Cent. L-Nut 1/2-13 Thd. Gr. 5 |
| 8 | 731-05500 | 1 | | Flange Bearing 1.0 x 1,246 |
| 9 | 736-0169 | 1 | S | L-Wash 3/8 ID |
| 10 | 736-0227 | 1 | S | Flat Washer .39 ID x 1.5 OD x .135 |
| 11 | 736-0250 | 1 | /P | Flat Washer |
| 12 | 737-3000 | 1 | S | Grease Fitting |
| 13 | 738-04182A | 1 | /P | Shoulder Screw .75 x 4.75:7/16-14 |
| 14 | 741-0516B | 1 | /P | Flange Brg. .75" ID |
| 15 | 741-0990B | 1 | /P | Flange Brg. .76 ID w/Lube Ftg. |



17AJ2ACG597 (2008)
Label Map RZT42

Page 12 of 28

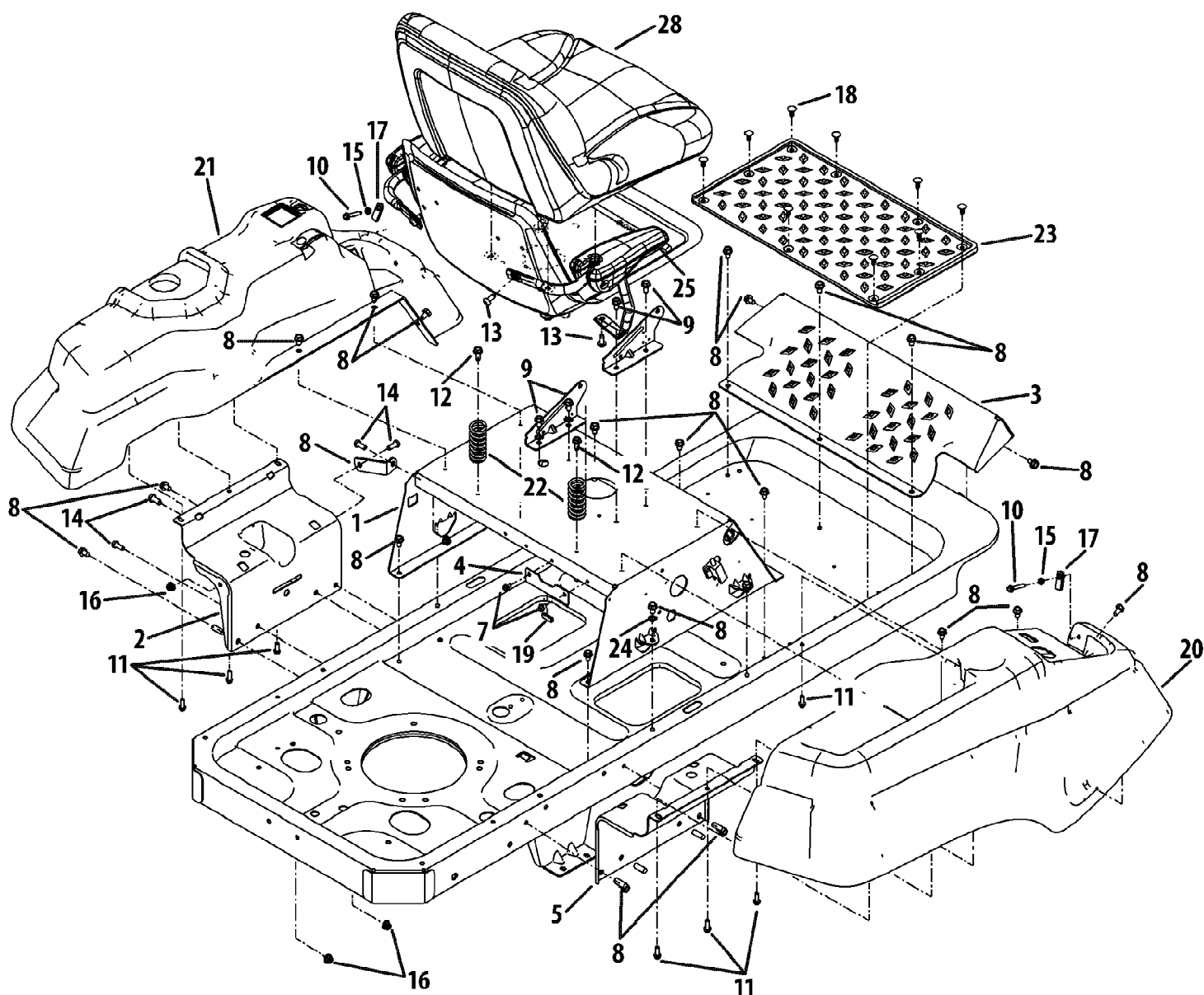
| Ref # | Part Number | Qty | S/P/F | Description |
|-------|-------------|-----|-------|----------------------------------|
| 1 | 777S32355 | 1 | | LABEL:RIDER:SAFETY CHUTE DEFL |
| 2 | 777S30296 | 1 | | LABEL:RIDER DECK: UNDERCHUTE EXP |
| 3 | 777I22281 | 1 | S | LABEL-BELT ROUTE |
| 4 | 777S30544 | 1 | | LABEL-DECK SAFETY |
| 5 | 777CD30086 | 1 | | LABEL-REAR FENDER COLUMBIA |
| 6 | 777I22895 | 1 | | LABEL-START INSTR RH POD |
| 7 | 777CX00022 | 1 | | LABEL- MADE IN USA |
| 8 | 777I22893 | 1 | | LABEL-HOUR METER LH POD |
| 9 | 777I22887 | 1 | | LABEL-THROTT/CHOKE LH POD |
| 10 | 777I22892 | 1 | | LABEL-FUEL LEVEL LH POD |
| 11 | 777D12504 | 1 | | LABEL-RH POD |
| 12 | 777D12503 | 1 | | LABEL-LH POD |
| 13 | 777D12570 | 1 | | LABEL-FRNT FRAME 42" COLUMBIA |
| 14 | 777CX00051 | 1 | | LABEL-DECK WASH |
| 15 | 777I22519 | 1 | | LABEL-TRNMSN RELEASE |
| 16 | 777I22787 | 1 | | LABEL-PARK BRAKE |
| 17 | 777S32353 | 1 | | LABEL-RDR SAFETY |
| 18 | 777CI00168 | 1 | | LABEL-HANDLE HEIGHT |



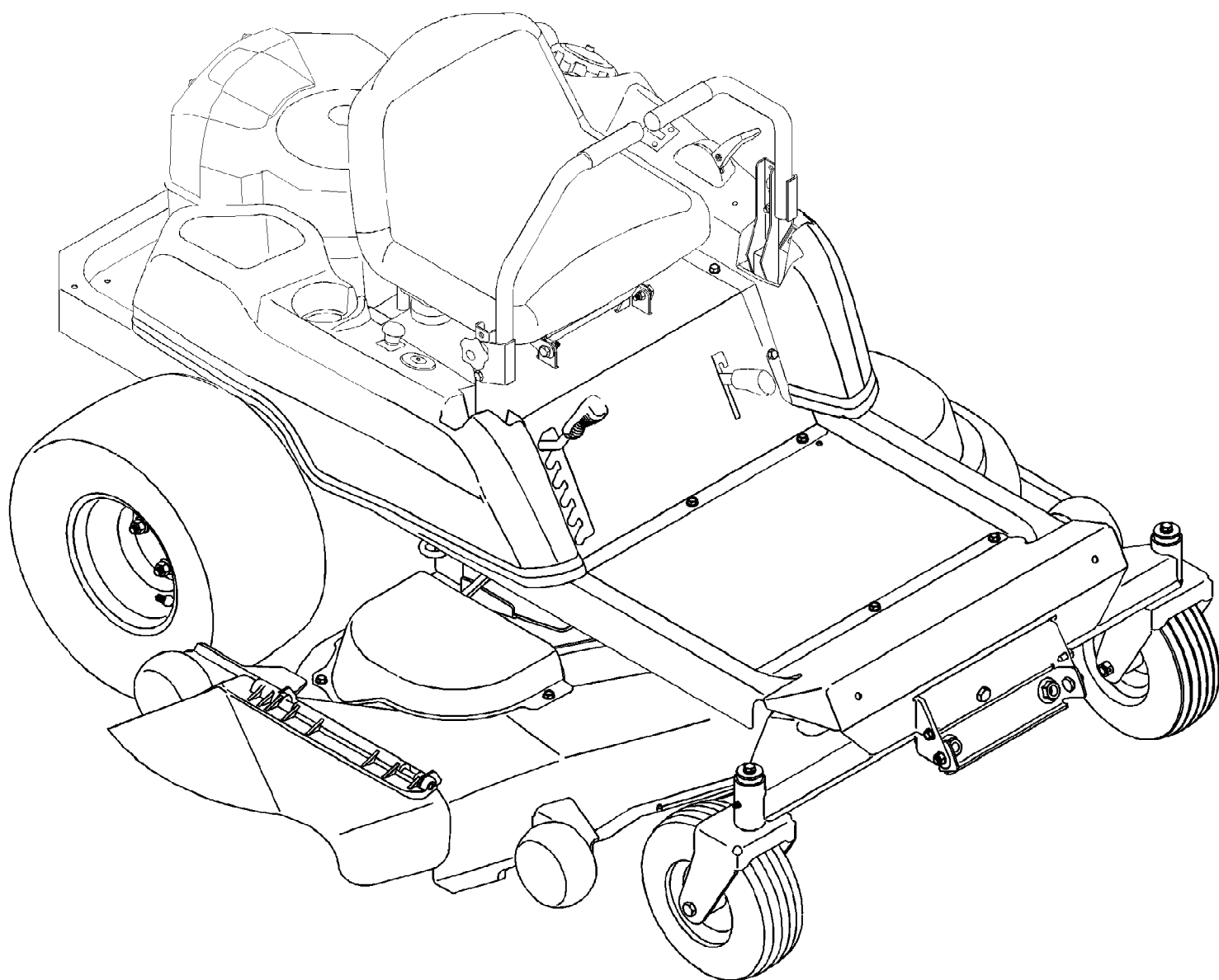
17AJ2ACG597 (2008)
Mower Deck RZT42

Page 14 of 28

| Ref # | Part Number | Qty | S/P/F | Description |
|-------|-------------|-----|-------|--------------------------------------|
| 1 | 603-04156 | 1 | | Deck Lift Bracket |
| 2 | 603-04335C | 1 | | Deck Housing |
| 3 | 618-0624 | 1 | S | Spindle Assembly |
| 4 | 703-05824B | 1 | /P | Idler Arm |
| 5 | 710-0347 | 1 | /P | Hex Screw 3/8-16 x 1.75 |
| 6 | 710-0528 | 1 | /P | Hex Bolt 5/16-18 x 1.25 |
| 7 | 710-0599 | 1 | /P | Hex Wash S-Tapp Scr 1/4-20 x .50 |
| 8 | 710-1260A | 1 | /P | Hex Wash. Hd. Scr. 5/16-18 x .75 Lg. |
| 9 | 710-0726 | 1 | /P | Hex Wash HD AB Tap Scr 5/16-12 x .75 |
| 10 | 710-0751 | 1 | /P | Hex Bolt 1/4-20 x .62 Gr. 5 |
| 11 | 710-3005 | 1 | /P | Hex Bolt 3/8-16 x 1.25 |
| 12 | 710-3180 | 1 | /P | Hex Screw 5/16-18 x 1.75" Lg. |
| 13 | 711-04069 | 1 | S | Grasscatcher Pin 1/4-20 |
| 14 | 712-0324 | 1 | /P | Hex Ins. Locknut 1/4-20 |
| 15 | 712-04064 | 1 | /P | Hex L-Flanged Nut 1/4-20 Gr. F Nylon |
| 16 | 712-04065 | 1 | /P | Flange Lock-Nut 3/8-16 Gr. F Nylon |
| 17 | 712-0417A | 1 | /P | Hex Flange Nut 5/8-18 |
| 18 | 712-0429 | 1 | S | Hex Ins. L-Nut 5/16-18 |
| 19 | 712-0431 | 1 | S | Hex. Flanged L-Nut 3/8-16 Gr. F |
| 20 | 712-0641 | 1 | S | Hex Nut M16-1.5 DIN 936 |
| 21 | 712-3010 | 1 | S | Hex Nut 5/16-18 hd. Gr. 5 |
| 22 | 714-0470 | 1 | S | Cotter Pin 1/8" Dia x 1.25 |
| 23 | 717-04074 | 1 | S | Deck Adjustment Gear |
| 24 | 721-04041 | 1 | S | Water Nozzle Adaptor |
| 25 | 726-0233 | 1 | /P | Bolt Retainer 1/4" x .50" OD |
| 26 | 731-1032B | 1 | S | Chute Deflector Plastic |
| 27 | 731-2231B | 1 | /P | Belt Cover |
| 28 | 732-0306 | 1 | S | Compression Spring |
| 29 | 732-0459C | 1 | /P | Extension Spring .94 OD x 6.74 |
| 30 | 734-04155 | 1 | | Deck Wheel 5.0 |
| 31 | 736-0119 | 1 | S | L-Wash 5/16 ID |
| 32 | 736-0225 | 1 | /P | L-Washer Internal |
| 33 | 736-3072 | 1 | /P | Flat Washer .38 x .93 x .11 |
| 34 | 737-04003C | 1 | S | Port, Water |
| 35 | 738-04162A | 1 | /P | Shoulder Spacer .884 x .190 |
| 36 | 738-3056 | 1 | S | Shoulder Screw, 1/2 Diameter x 2.5 |
| 37 | 942-0616A | 1 | /P | Blade 21.23" Lg. |
| 38 | 747-1116 | 1 | /P | Deck Release Pin |
| 39 | 754-04137 | 1 | S | V-Belt Type A Sec x 114.1 |
| 40 | 756-04129 | 1 | S | Idler Pulley w/Flange 4.25 Dia |
| 41 | 783-1146A | 1 | S | Deck Skirt |
| 42 | 737-3000 | 1 | S | Grease Fitting |
| 43 | 738-1010A | 1 | /P | Spindle Shaft 5.75 |
| 44 | 741-0919 | 1 | S | Ball Bearing 20 x 47 x 14:6204:DS |
| 45 | 748-0433 | 1 | | Spacer .820 x 1.150 x .730 Lg. |
| 46 | 750-1000 | 1 | | Spacer .080 x 1.10 x 1.322" Lg. |
| 47 | 756-1227 | 1 | S | Deck Pulley 6.3 Dia. |



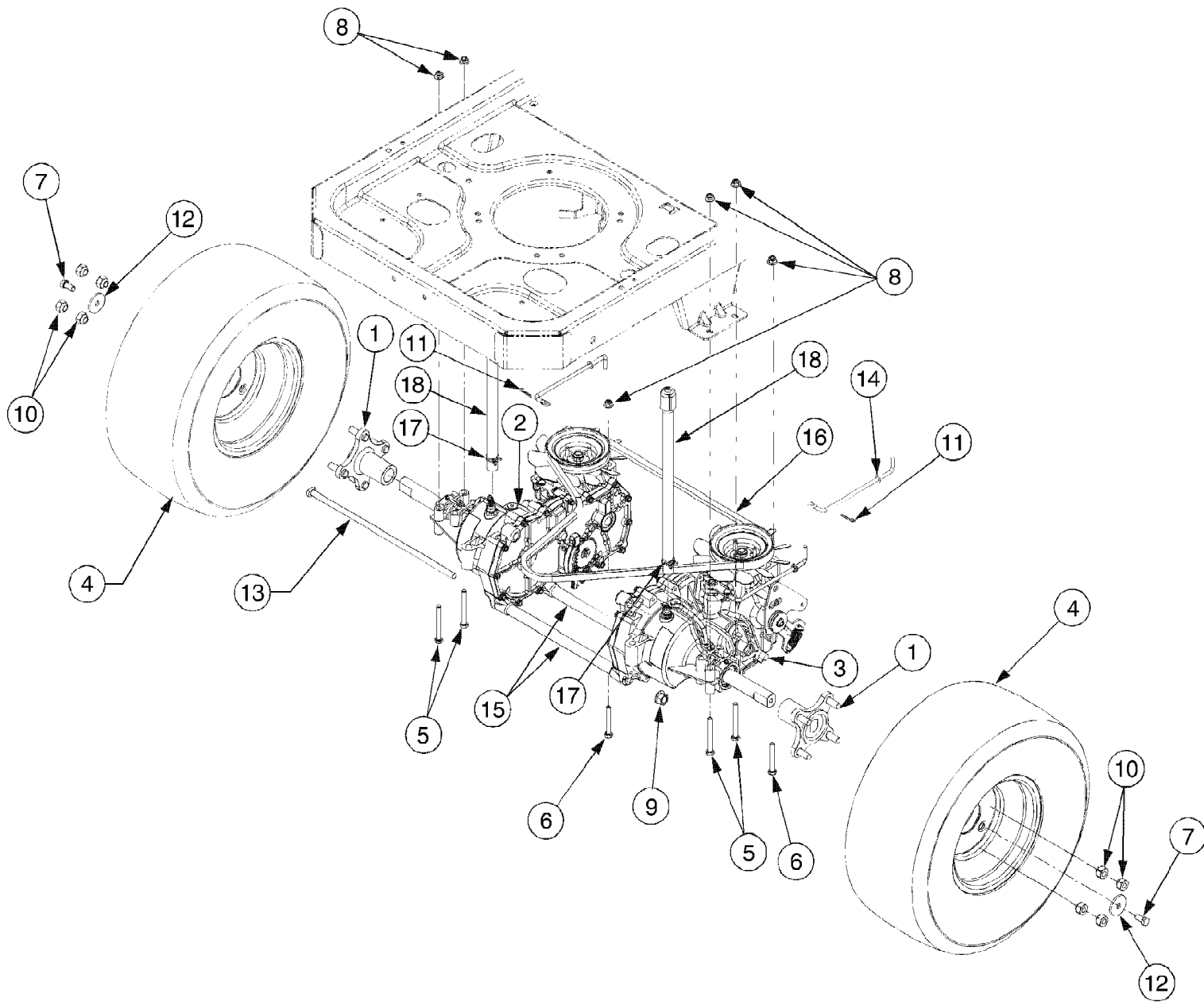
| Ref # | Part Number | Qty | S/P/F | Description |
|-------|-------------|-----|-------|--------------------------------------|
| 1 | 603-04447A | 1 | | Seat Frame |
| 2 | 603-04564 | 1 | | Console Bracket Assembly |
| 3 | 703-05373B | 1 | | Foot Rest Bracket |
| 4 | 703-05894 | 1 | S | Battery Hold Down Bracket |
| 5 | 703-06451 | 1 | | Console Mounting Bracket |
| 6 | 703-06623 | 1 | S | Fuel Tank Bracket Support |
| 7 | 710-0599 | 1 | /P | Hex Washer Hd. Screw, 1/4-20 x .500 |
| 8 | 710-0604A | 1 | /P | Hex Washer Hd. Screw, 5/16-18 x .625 |
| 9 | 710-0726 | 1 | /P | Hex Washer Hd. Screw, 5/16-12 x .750 |
| 10 | 710-0778 | 1 | /P | Hex Wshr. Hd. Screw, 1/4-20 x 1.500 |
| 11 | 710-0895 | 1 | | Hex Wshr. Hd. Screw, 1/4-15 x .750 |
| 12 | 710-1260A | 1 | /P | Hex Washer Hd. Screw, 5/16-18 x .750 |
| 13 | N/A | 1 | | Screw, 5/16-18 x .750 |
| 14 | 710-3008 | 1 | /P | Hex Screw, 5/16-18 x .75 |
| 15 | 710-0298 | 1 | | Jam Nut, 1/4-20 |
| 16 | 712-04063 | 1 | /P | Flangelock Nut, 5/16-18 |
| 17 | 712-04092 | 1 | | Speed Nut, 1/4-20 |
| 18 | 726-3046 | 1 | /P | Ratchet Clip, .250 |
| 19 | 731-0511 | 1 | /P | Trim Strip |
| 20 | 731-06233 | 1 | | Console (RH) |
| 21 | 731-06263 | 1 | S | Console (LH) |
| 22 | 732-04035 | 1 | | Compression Spring, 1.28 x 3.125 |
| 23 | 735-04082 | 1 | | Foot Pad |
| 24 | 736-0148 | 1 | | External Tooth Lock Washer, 3/8 |
| 25 | N/A | 1 | | High Back Seat Arms |
| 27 | 783-1489C | 1 | | Seat Mounting Bracket |
| 28 | 757-04041 | 1 | | Seat |



17AJ2ACG597 (2008)
Quick Reference

Page 18 of 28

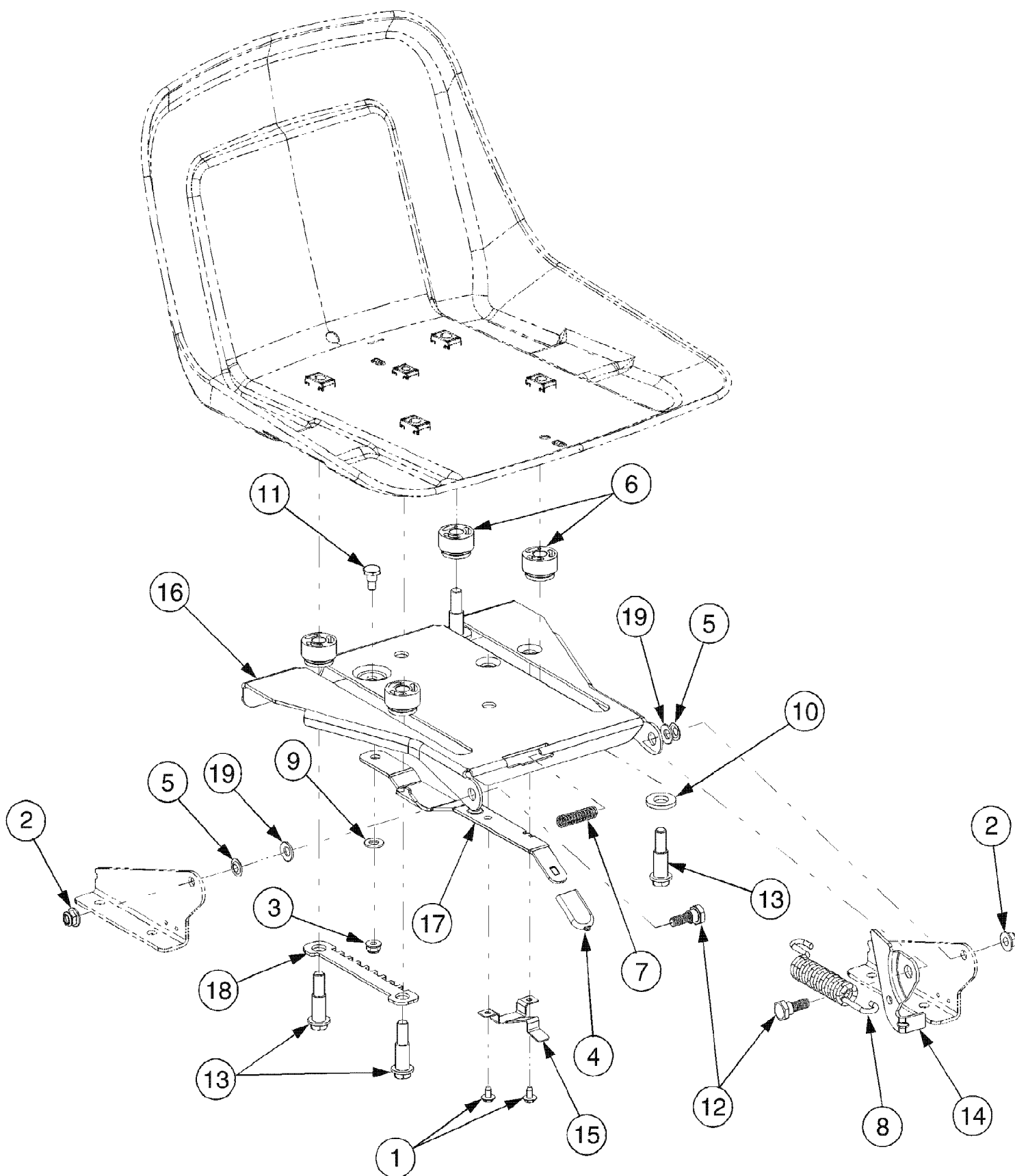
| Ref # | Part Number | Qty | S/P/F | Description |
|-------|-------------|-----|-------|-------------------------------------|
| | BS-696854 | 1 | /P | Oil Filter |
| | BS-792105 | 1 | /P | Air Filter ZT50 ONLY |
| | BS-792303 | 1 | /P | Pre Cleaner ZT50 ONLY |
| | BS-691035 | 1 | /P | Fuel Filter |
| | 759-3336 | 1 | /P | Spark Plug |
| | 951-3124D | 1 | S | Fuel Cap ZT42 |
| | 753-05969 | 1 | | Fuel Cap ZT50 |
| | 742-04053C | 1 | S | Blades ZT50 |
| | 942-0616A | 1 | /P | Blades ZT42 |
| | 712-0417A | 1 | /P | Blade Nut |
| | 618-04125A | 1 | S | Deck Spindle ZT50 |
| | 618-0624 | 1 | S | Deck Spindle ZT42 |
| | 738-1010A | 1 | /P | Spindle Bolt |
| | 754-04043A | 1 | S | Lower Drive Belt |
| | N/A | 1 | | Upper Drive Belt |
| | N/A | 1 | | PTO Belt |
| | 954-04044A | 1 | /P | Deck Spindle Belt ZT50 |
| | 754-04137 | 1 | S | Deck Spindle Belt ZT42 |
| | 734-04155 | 1 | | Deck Wheels |
| | 721-04041 | 1 | S | Water Nozzle Adapter |
| | 725-1745 | 1 | S | Ignition Keys |
| | 725-04228 | 1 | S | Ignition Switch |
| | 725-04174 | 1 | S | PTO Switch |
| | 717-04376A | 1 | S | PTO Clutch - Single Cylinder Engine |
| | 717-04552 | 1 | S | PTO Clutch - Twin Cylinder Engine |
| | 631-04070A | 1 | /P | Discharge Chute ZT50 |
| | 731-1032B | 1 | S | Discharge Chute ZT42 |



17AJ2ACG597 (2008)
Rear Drive & Wheels

Page 20 of 28

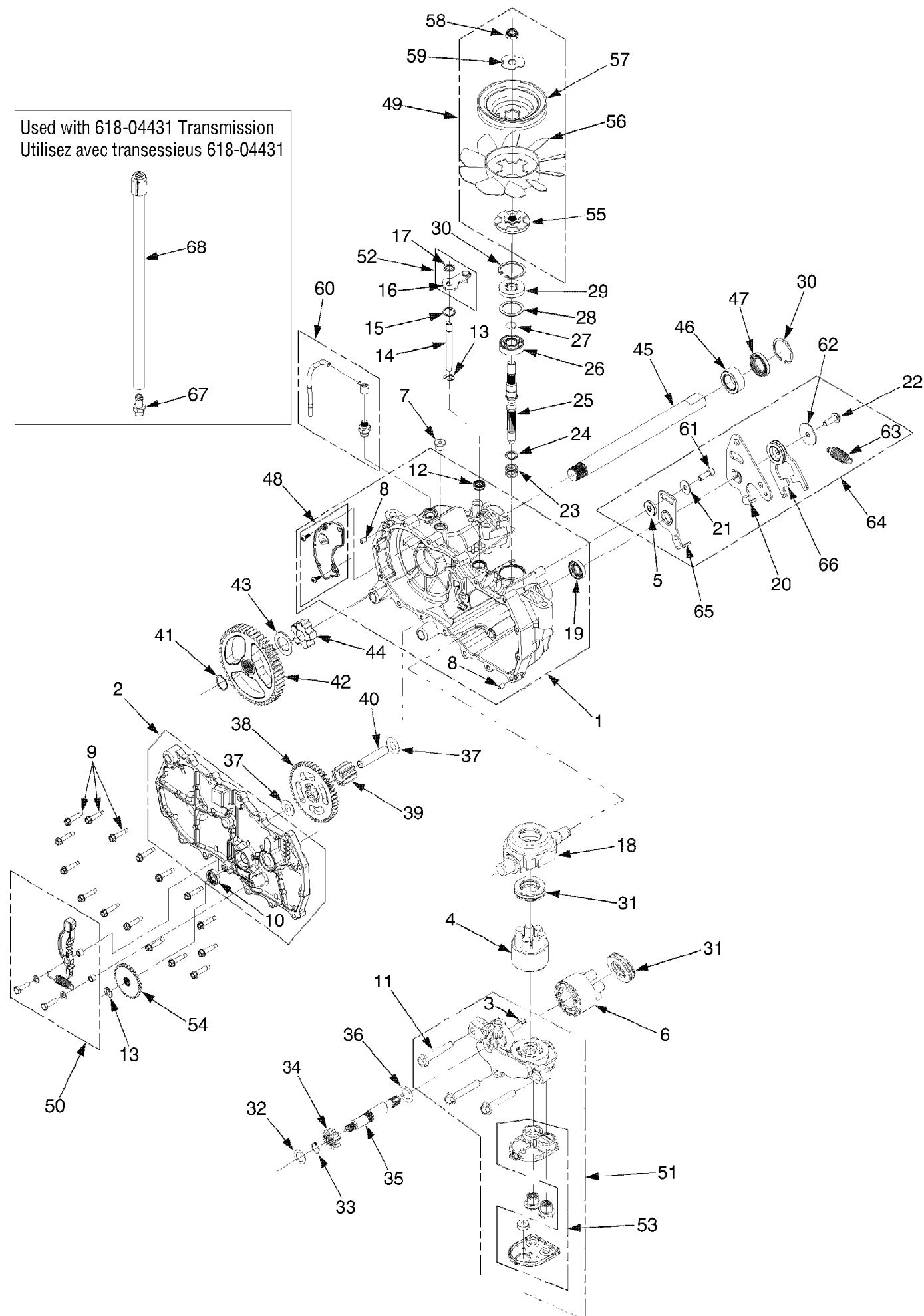
| Ref # | Part Number | Qty | S/P/F | Description |
|-------|-------------|-----|-------|---|
| 1 | 618-04317 | 1 | S | Wheel Hub |
| 2 | 618-04431 | 1 | S | Transmission Ass'y, LH Before Production Date A267 |
| 2 | 618-04431A | 1 | S | Transmission Ass'y, LH After Production Date A267 |
| 3 | 618-04432 | 1 | S | Transmission Ass'y, RH Before Production Date A267 |
| 3 | 618-04432A | 1 | S | Transmission Ass'y, RH After Production Date A267 |
| 4 | 634-04293 | 1 | | Wheel Assembly 18 x 8.5 x 8 - Beige |
| 4 | 734-04246 | 1 | | Tire Only Not shown |
| 4 | 603-04173 | 1 | | Rim Only Not shown |
| 4 | 634-04294 | 1 | | Wheel Assembly 18 x 8.5 x 8 - Grey |
| 4 | 734-04246 | 1 | | Tire Only Not shown |
| 4 | 603-04173 | 1 | | Rim Only Not shown |
| 4 | 634-04301 | 1 | | Wheel Assembly 18 x 8.5 x 8 - Yellow |
| 4 | 734-04246 | 1 | | Tire Only Not shown |
| 4 | 603-04173 | 1 | | Rim Only Not shown |
| 4 | 634-04171 | 1 | S | Wheel Assembly 18 x 9.5 x 8 - Grey |
| 4 | 734-1729 | 1 | | Tire Only Not shown |
| 4 | 603-04175 | 1 | | Rim Only Not shown |
| 4 | 634-04128 | 1 | | Wheel Assembly 18 x 9.5 x 8 - Yellow |
| 4 | 734-1729 | 1 | | Tire Only Not shown |
| 4 | 603-04175 | 1 | | Rim Only Not shown |
| 5 | 710-0176 | 1 | /P | Hex Scr 5/16-18 x 2.75 |
| 6 | 710-0395 | 1 | /P | Hex Bolt 5/16-18 x 2.25 |
| 7 | 710-3119 | 1 | /P | Hex Cap Lock Scr. 3/8-16 x .75 Gr. 5 |
| 8 | 712-04063 | 1 | /P | Flange Locknut 5/16-18 Gr. F, Nylon |
| 9 | 712-0459 | 1 | /P | Flange Lock Nut, 7/16-20 |
| 10 | 712-3050 | 1 | /P | Lug Nut, 7/16-14 |
| 11 | 714-0507 | 1 | S | Cotter Pin 3/32 x .75 |
| 12 | 736-0227 | 1 | S | Flat Washer .39 ID x 1.5 OD x .135 |
| 13 | 738-04192 | 1 | | Rod, .405 x 14.0 |
| 14 | 747-04217C | 1 | S | Rod, Bypass |
| 15 | 750-04561 | 1 | | Tube, .45 x .69 x 10.2 |
| 16 | 754-04043A | 1 | S | V-Belt, Type A Sec x 57.7 |
| 17 | 726-04059 | 1 | | Hose Clamp |
| 18 | 751-10474 | 1 | | Hose, Breather Used ONLY with 618-04431 and 618-04432 Transmissions |



17AJ2ACG597 (2008)
Seat Adjustment

Page 22 of 28

| Ref # | Part Number | Qty | S/P/F | Description |
|-------|-------------|-----|-------|--------------------------------------|
| 1 | 710-1268 | 1 | /P | Hex B-Tapp Wash Scr #10-16 x .38 |
| 2 | 712-04063 | 1 | /P | Flange Locknut 5/16-18 Gr. F, Ny Ion |
| 3 | 712-04064 | 1 | /P | Hex L-Flanged Nut 1/4-20 Gr. F Nylon |
| 4 | 720-0309A | 1 | /P | Seat Adjuster Grip |
| 5 | 726-0201 | 1 | | Push Speed Nut |
| 6 | 731-04074 | 1 | | Spacer |
| 7 | 732-0499 | 1 | | Compression Spring .41 x 1.5" Lg |
| 8 | 732-1184 | 1 | /P | Extension Spring .84 Dia. x 4.6 |
| 9 | 736-0204 | 1 | /P | Flat Washer .34 ID X .62 OD X .03 |
| 10 | 736-3019 | 1 | | Flat Washer .531 ID x 1.0 OD |
| 11 | 738-0137A | 1 | S | Shoulder Screw .340 x .285: 1/4-20 |
| 12 | 738-0296 | 1 | S | Shoulder Screw |
| 13 | 738-0966A | 1 | /P | Shoulder Bolt .5 x .925:3/8-16 |
| 14 | 783-0209D | 1 | /P | Seat Lift Bracket |
| 15 | 783-0611 | 1 | | Seat Stop |
| 16 | 783-0738D | 1 | /P | Seat Pivot Bracket |
| 17 | 783-0739A | 1 | S | Seat Adjustment Lever |
| 18 | 783-0753 | 1 | | Seat Adjustment Selector |
| 19 | 736-0275 | 1 | S | Fl. Wash. .344 ID x .688 OD x .065 |



17AJ2ACG597 (2008)
Transmission LH

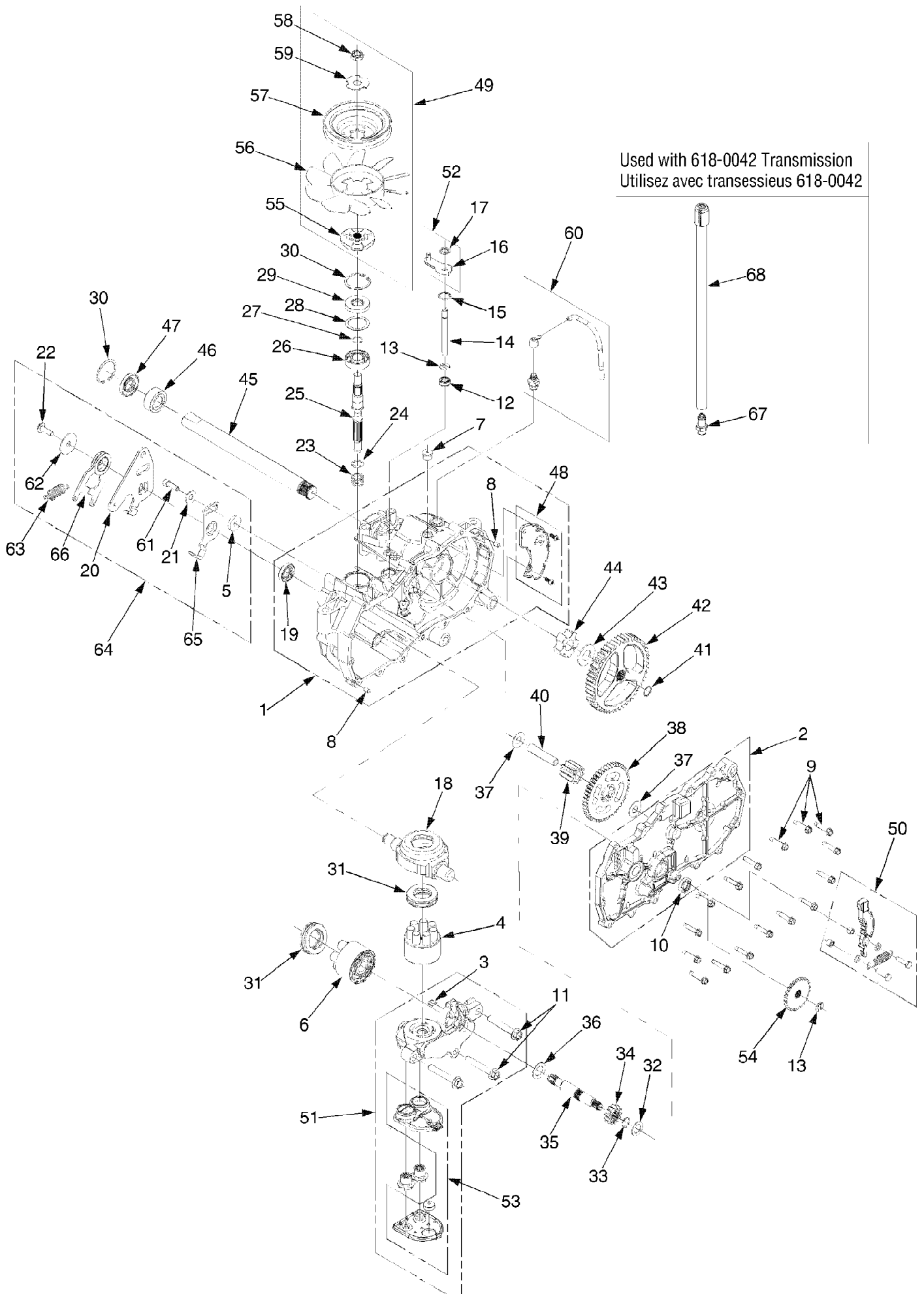
Page 24 of 28

| Ref # | Part Number | Qty | S/P/F | Description |
|-------|-----------------|-----|-------|-----------------------------|
| 1 | HG-70862L | 1 | /P | Housing Ass'y, Main LH |
| 2 | HG-70863L | 1 | /P | Side Assembly LH |
| 3 | HG-51448 | 1 | | Plate, Bypass |
| 4 | HG-70723 | 1 | /P | Block Kit - 7 Piston |
| 5 | HG-52527 | 1 | | Spacer, .32 x 1.005 x .179 |
| 6 | HG-70331 | 1 | /P | Block Assembly, Cylinder |
| 7 | HG-9005110-5600 | 1 | /P | Straight Thread Pipe |
| 8 | HG-9004800-2506 | 1 | | Std. Handle Pin |
| 9 | HG-51190 | 1 | /P | Hex Flange Screw |
| 10 | HG-44761 | 1 | S | Oil Seal .625 x 1.0 x .25 |
| 11 | HG-50016 | 1 | | Screw |
| 12 | HG-51626 | 1 | | Seal, Lip |
| 13 | HG-51628 | 1 | /P | Retaining Ring .375 Ext. |
| 14 | HG-51625 | 1 | | Rod, Bypass |
| 15 | HG-51627 | 1 | | Retaining Ring .75 Int. |
| 16 | HG-51910 | 1 | | Arm, Bypass |
| 17 | HG-51630 | 1 | /P | Retaining Ring |
| 18 | HG-51048 | 1 | /P | Swashplate, trunnion |
| 19 | HG-51140 | 1 | /P | Seal, Lip |
| 20 | HG-51842 | 1 | | Control Arm LH |
| 21 | HG-44130 | 1 | S | Washer 7/16 x 7/8 x .060 |
| 22 | HG-51812 | 1 | /P | Screw, 5/16-24 x 1.0 |
| 23 | HG-2003014 | 1 | /P | Block Washer |
| 24 | HG-2003017 | 1 | /P | Block Thrust Washer |
| 25 | HG-51062 | 1 | /P | Input Shaft |
| 26 | HG-50315 | 1 | | Ball Bearing |
| 27 | HG-2000022 | 1 | /P | Retaining Ring |
| 28 | HG-50951 | 1 | /P | Spacer |
| 29 | HG-51161 | 1 | /P | Lip Seal |
| 30 | HG-50329 | 1 | /P | Retaining Ring |
| 31 | HG-50551 | 1 | S | Thrust Washer |
| 32 | HG-44371 | 1 | /P | Flat Washer 5/8 x 1.0 x .05 |
| 33 | HG-44145 | 1 | | Retaining Ring |
| 34 | HG-51130 | 1 | | Gear, Pinion, 13T |
| 35 | HG-51632 | 1 | | Shaft, Motor |
| 36 | HG-51069 | 1 | | Motor Shaft Washer |
| 37 | HG-50132 | 1 | /P | Washer, HT |
| 38 | HG-51129 | 1 | | Gear, 10T/48T |
| 39 | HG-51043 | 1 | /P | Gear, 10T Jackshaft |
| 40 | HG-51083 | 1 | | Pin, Jackshaft |
| 41 | HG-52531 | 1 | | Retaining Ring |
| 42 | HG-52541 | 1 | | Gear, Bull, 52T |
| 43 | HG-52532 | 1 | | Washer, 1.018 x 1.57 x .105 |
| 44 | HG-52542 | 1 | | Sleeve Bearing |
| 45 | HG-52545 | 1 | | Shaft, Axle, 1.0 x 11.7 |
| 46 | HG-51517 | 1 | /P | Bearing, Sleeve |
| 47 | HG-51518 | 1 | /P | Seal, Lip |
| 48 | HG-70868L | 1 | | Plate Kit, Expansion |
| 49 | HG-71351 | 1 | S | Kit, Fan Pulley |
| 50 | HG-71356 | 1 | | Kit, Brake Arm |
| 51 | HG-71529 | 1 | | Kit, Center section |
| 52 | HG-71006 | 1 | | Kit, Bypass Arm RH |
| 53 | HG-71497 | 1 | /P | Filter Assembly |

17AJ2ACG597 (2008)
Transmission LH

Page 25 of 28

| Ref # | Part Number | Qty | S/P/F | Description |
|-------|-------------|-----|-------|------------------------------|
| 54 | HG-51635 | 1 | /P | Disc, Brake Cog |
| 55 | N/A | 1 | | Hub, Pulley Order Ref No. 49 |
| 56 | HG-52365 | 1 | | Fan, 7" 10 Blade |
| 57 | N/A | 1 | | Pulley, 4.5 Order Ref No. 49 |
| 58 | HG-51244 | 1 | S | Hex Ins. L-Nut 1/2-20 |
| 59 | HG-51523 | 1 | | OD Slotted Washer |
| 60 | HG-71510 | 1 | /P | Breather Kit |
| 61 | HG-51616 | 1 | S | Screw, Patch 5/16-24 x 1 |
| 62 | HG-51950 | 1 | | Washer, .343 x 1.5 x .062 |
| 63 | HG-51833 | 1 | S | Extension Spring |
| 64 | HG-71094 | 1 | | Kit, Return Ass'y LH |
| 65 | HG-51946 | 1 | | Neutral Arm RH |
| 66 | HG-52432 | 1 | | Scissors Arm Kit |
| 67 | HG-71393 | 1 | /P | Fit ting w/cap |
| 68 | 751-10474 | 1 | | Hose Assembly, breather |
| 68 | HG-70853 | 1 | /P | Seal Kit |
| 68 | HG-50928 | 1 | /P | Sealant |



17AJ2ACG597 (2008)
Transmission RH

Page 27 of 28

| Ref # | Part Number | Qty | S/P/F | Description |
|-------|-----------------|-----|-------|-----------------------------|
| 1 | HG-70862R | 1 | /P | Housing Ass'y, Main RH |
| 2 | HG-70863R | 1 | /P | Side Ass'y RH |
| 3 | HG-51448 | 1 | | Plate, By pass |
| 4 | HG-70723 | 1 | /P | Block Kit - 7 Pis ton |
| 5 | HG-52527 | 1 | | Spacer, .32 x 1.005 x .179 |
| 6 | HG-70331 | 1 | /P | Block Assembly, Cylinder |
| 7 | HG-9005110-5600 | 1 | /P | Straight Thread Pipe |
| 8 | HG-9004800-2506 | 1 | | Std. Han dle Pin |
| 9 | HG-51190 | 1 | /P | Hex Flange Screw |
| 10 | HG-44761 | 1 | S | Oil Seal .625 x 1.0 x .25 |
| 11 | HG-50016 | 1 | | Screw |
| 12 | HG-51626 | 1 | | Seal, Lip |
| 13 | HG-51628 | 1 | /P | Retaing Ring .375 Ext. |
| 14 | HG-51625 | 1 | | Rod, Bypass |
| 15 | HG-51627 | 1 | | Retain ing Ring .75 Int. |
| 16 | HG-51910 | 1 | | Arm, Bypass |
| 17 | HG-51630 | 1 | /P | Retaining Ring |
| 18 | HG-51048 | 1 | /P | Swashplate, trun nion |
| 19 | HG-51140 | 1 | /P | Seal, Lip |
| 20 | HG-51841 | 1 | /P | Con trol Arm RH |
| 21 | HG-44130 | 1 | S | Washer 7/16 x 7/8 x .060 |
| 22 | HG-51812 | 1 | /P | Screw, 5/16-24 x 1.0 |
| 23 | HG-2003014 | 1 | /P | Block Washer |
| 24 | HG-2003017 | 1 | /P | Block Thrust Washer |
| 25 | HG-51062 | 1 | /P | Input Shaft |
| 26 | HG-50315 | 1 | | Ball Bear ing |
| 27 | HG-2000022 | 1 | /P | Retaining Ring |
| 28 | HG-50951 | 1 | /P | Spacer |
| 29 | HG-51161 | 1 | /P | Lip Seal |
| 30 | HG-50329 | 1 | /P | Retaining Ring |
| 31 | HG-50551 | 1 | S | Thrust Washer |
| 32 | HG-44371 | 1 | /P | Flat Washer 5/8 x 1.0 x .05 |
| 33 | HG-44145 | 1 | | Retaining Ring |
| 34 | HG-51130 | 1 | | Gear, Pin ion, 13T |
| 35 | HG-51632 | 1 | | Shaft, Mo tor |
| 36 | HG-51069 | 1 | | Mo tor Shaft Washer |
| 37 | HG-50132 | 1 | /P | Washer, HT |
| 38 | HG-51129 | 1 | | Gear, 10T/48T |
| 39 | HG-51043 | 1 | /P | Gear, 10T Jackshaft |
| 40 | HG-51083 | 1 | | Pin, Jackshaft |
| 41 | HG-52531 | 1 | | Retaining Ring |
| 42 | HG-52541 | 1 | | Gear, Bull, 52T |
| 43 | HG-52532 | 1 | | Washer, 1.018 x 1.57 x .105 |
| 44 | HG-52542 | 1 | | Sleeve Bear ing |
| 45 | HG-52545 | 1 | | Shaft, Axle, 1.0 x 11.7 |
| 46 | HG-51517 | 1 | /P | Bearing, Sleeve |
| 47 | HG-51518 | 1 | /P | Seal, Lip |
| 47 | HG-51518 | 1 | /P | Seal, Lip |
| 48 | HG-70868R | 1 | | Plate Kit, Ex pan sion RH |
| 49 | HG-71351 | 1 | S | Kit, Fan Pulley |
| 50 | HG-71356 | 1 | | Kit, Brake Arm |
| 51 | HG-71530 | 1 | | Kit, Center Section RH |
| 52 | HG-71006 | 1 | | Kit, Bypass Arm RH |

17AJ2ACG597 (2008)
Transmission RH

Page 28 of 28

| Ref # | Part Number | Qty | S/P/F | Description |
|-------|-------------|-----|-------|------------------------------|
| 53 | HG-71497 | 1 | /P | Filter Assembly |
| 54 | HG-51635 | 1 | /P | Disc, Brake Cog |
| 55 | HG-52366 | 1 | | Hub, Pulley Order Ref No. 49 |
| 56 | N/A | 1 | | Fan, 7" 10 Blade |
| 57 | HG-52364 | 1 | | Pulley, 4.5 Order Ref No. 49 |
| 58 | N/A | 1 | | Hex Ins. L-Nut 1/2-20 |
| 58 | HG-70853 | 1 | /P | Seal Kit |
| 58 | HG-50928 | 1 | /P | Sealant |
| 59 | HG-51523 | 1 | | OD Slot ted Washer |
| 60 | HG-71510 | 1 | /P | Breather Kit |
| 60 | HG-71510 | 1 | /P | Breather Kit |
| 60 | HG-71510 | 1 | /P | Breather Kit |
| 61 | HG-51616 | 1 | S | Screw, Patch 5/16-24 x 1 |
| 61 | HG-51616 | 1 | S | Screw, Patch 5/16-24 x 1 |
| 62 | HG-51950 | 1 | | Washer, .343 x 1.5 x .062 |
| 63 | HG-51833 | 1 | S | Extension Spring |
| 64 | HG-71095 | 1 | | Kit, Return Assembly RH |
| 65 | HG-51945 | 1 | | Arm, neu tral |
| 66 | HG-52432 | 1 | | Scissors Arm Kit |
| 67 | HG-71393 | 1 | /P | Fit ting w/cap |