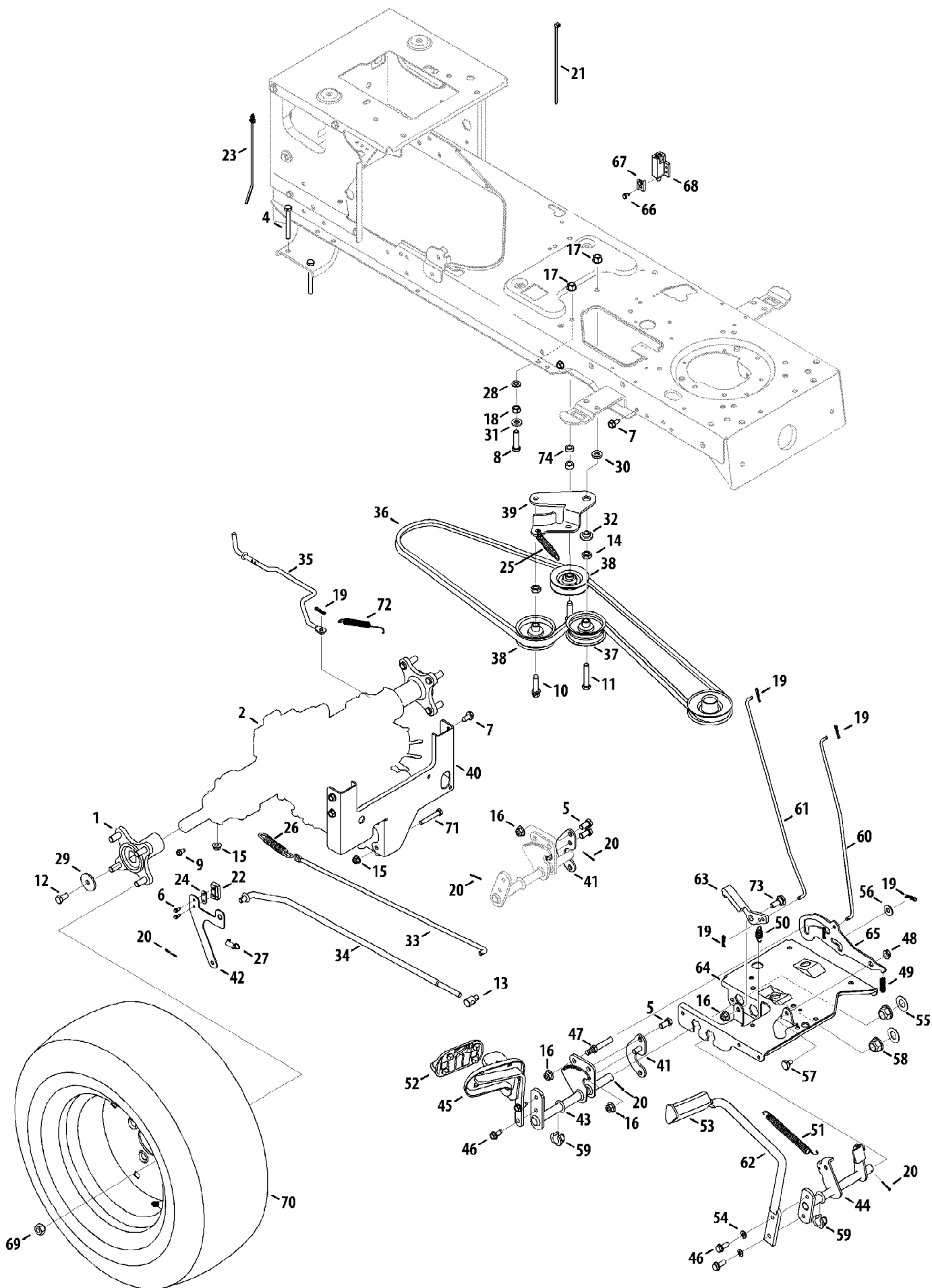


14AQ81GK897 (2009)
Drive & Rear Wheels



14AQ81GK897 (2009)
Drive & Rear Wheels

Page 2 of 21

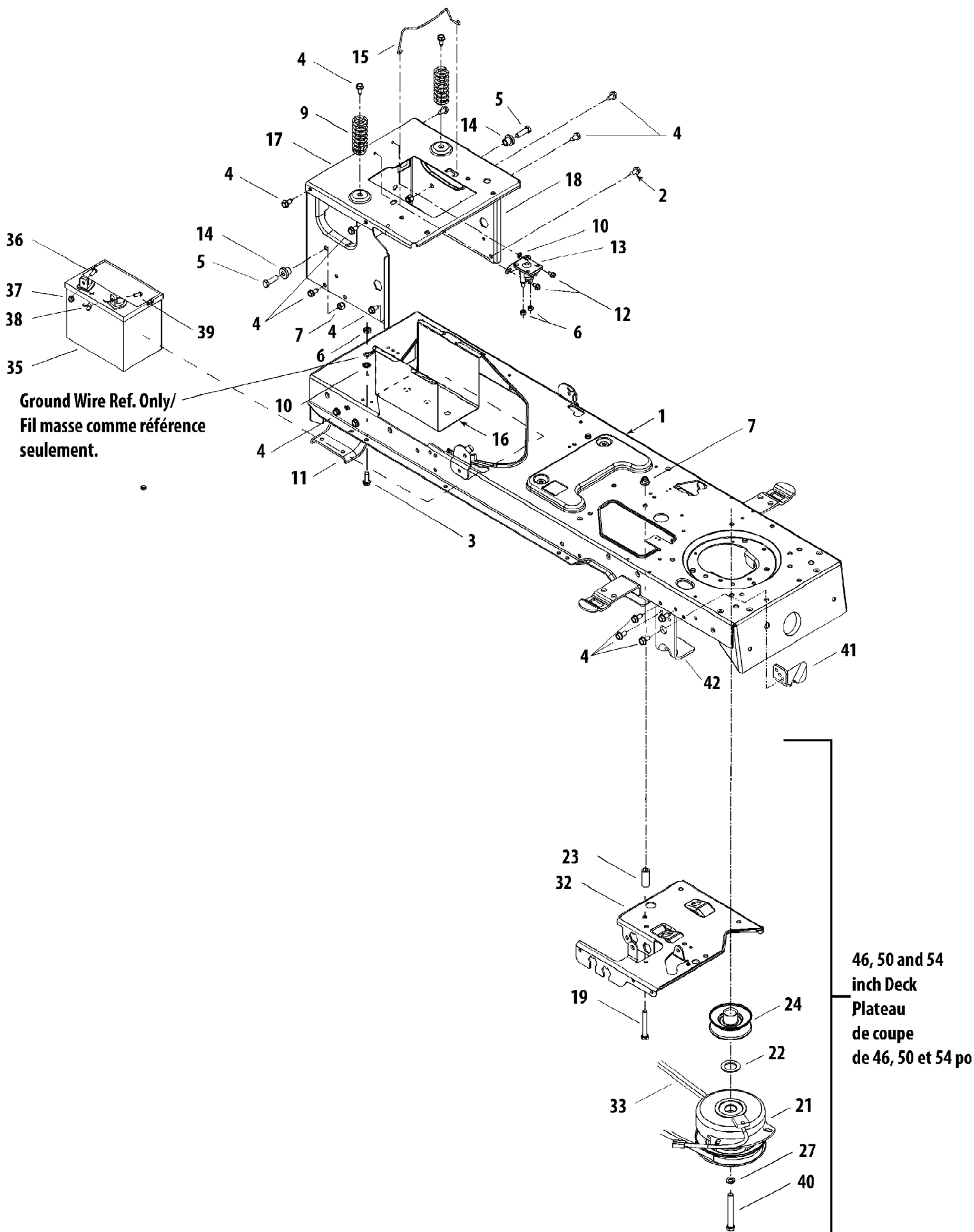
Ref #	Part Number	Qty	S/P/F	Description
1	918-04317	1	/P	Wheel Hub Assembly
2	918-04468	1	/P	Hydrostatic Transmission Ass'y
4	710-0189	1	/P	Hex Cap Scr. 5/16-18 x 3.0
5	710-0216	1	/P	Hex Cap Scr. 3/8-16 x .75
6	710-0227	1	/P	Screw #8-18 x .5
7	710-04484	1		S-Tapp Scr 5/16-18 x .75
8	710-0520	1	/P	Hex Screw 3/8-16 x 1.50
9	710-0599	1	/P	Hex Wash S-Tapp Scr 1/4-20 x .50
10	710-1008	1		Hex Cap Scr. 3/8-16 x 1.875
11	710-3011	1	/P	Hex Bolt 3/8-16 x 2.25" Lg.
12	710-3119	1	/P	Hex Cap Lock Screw 3/8-16 x .75 Gr. 5
13	711-0832	1	S	Ferrule, 3/8-24
14	912-0240	1	/P	Hex Jam Nut 7/16-20
15	712-04063	1	/P	Flange Locknut 5/16-18 Gr. F, Ny Ion
16	712-04065	1	/P	Flange Lock-Nut 3/8-16 Gr. F, Ny Ion
17	912-0431	1	/P	Hex. Flanged L-Nut 3/8-16 Gr. F
18	912-3017	1	/P	Hex. Nut 3/8-16
19	914-0104	1	/P	Int. Cotter Pin .072 x 1.13" Lg.
20	914-0111	1	/P	Cotter Pin 3/32 dia x 1.00 Lg.
21	725-0157	1	/P	Cable Tie
22	725-1644	1		Short Spring Switch
23	926-0154	1	/P	Push-mount Cable tie
24	926-0320	1	/P	Insulator Nut Plate
25	732-04323B	1	/P	Extension Spring .770 x 3.72" Lg.
26	732-0716D	1	/P	Extension Spring .59 x 4.0
27	732-3118	1		Extension Spring 3/8-1.44
28	936-0169	1	/P	L-Wash 3/8 ID
29	936-0227	1	/P	Flat Washer .39 ID x 1.5 OD x .135
30	736-0258	1	/P	Flat Washer .385 ID X 1.0 OD X .130
31	936-0300	1	/P	Flat Washer .406 x .875 x .059
32	738-0372B	1	/P	Shoulder Spacer
33	747-04873	1		Hydrostatic Brake Rod
34	747-04666	1		Hydrostatic Control Rod
35	747-04838A	1		Hydrostic Bypass Rod
36	954-0461	1	/P	Drive Belt
37	756-04224	1	/P	Flat Idler Pulley, 2.75
38	756-04325	1	/P	V-idler Pulley 3.06
39	783-04442-0637	1		Double Idler Bracket
40	783-05443-0637	1		Transmission Torque Bracket
41	783-0745-0637	1	/P	Speed Control Bracket
42	783-05841	1		Switch Actuator Bracket
43	647-0049A-0637	1	/P	Drive Control Ass'y
44	647-04100-0637	1	/P	Brake Control Ass'y
45	683-0267C	1	/P	Hy dro Pedal Ass'y
46	710-1260A	1	/P	Self-Tapping Scr. 5/16-18 x .75
47	711-04159B	1		in 3/8-16 x 2.68 Lg.
48	712-3004A	1	/P	Hex Flange L-Nut 5/16-18
49	732-0335	1		Compression Spring
50	732-0955	1		Extension Spring, .50 OD x 1.41
51	732-0963	1		Extension Spring, .50 Dia. x 6.37
52	735-0662	1		Drive Pedal Pad
53	735-3049A	1	/P	Brake Pedal Pad
54	936-0119	1	/P	Washer 5/16 ID

14AQ81GK897 (2009)
Drive & Rear Wheels

Page 3 of 21

Ref #	Part Number	Qty	S/P/F	Description
55	736-0187	1	/P	Flat Washer .640 ID x 1.24 OD x .06
56	736-0262	1	/P	Flat Washer .38 ID x .87 OD x .09
57	938-0155	1	/P	Shld. Scr .437 Dia x .162 Lg.
58	941-0225	1	/P	Hex Flange Bearing .630 ID
59	741-3065B	1	/P	Hex Flanged Bearing .628 ID
60	747-04093A	1		Brake Lock Control Rod
61	747-04096	1		Cruise Control Rod
62	747-04641A-0637	1	/P	Brake Pedal
63	748-04039C	1		Cruise Latch
64	783-04612-0637	1	/P	Steering Support Bracket
65	783-0663E	1	/P	Drive Lock out Bracket
66	910-0224	1	/P	Hex Scr. AB #10-16 x .50
67	17962	1		Switch Plate
68	925-04039	1	/P	Switch
69	712-3050	1	/P	Lub Nut, 7/16-14
70	634-0202A-0911	1	/P	Wheel Assembly Complete, 23 x 10.5 x 12
70	634-04238-0662	1	/P	Rim Only Not shown
70	934-0255	1	/P	Air Valve (Not Showm) Not shown
70	734-04147-0901	1	/P	Tire Only, Square Shoulder Not shown
71	710-3103	1	/P	Hex Hd Cap Scr. 5/16-18 x 2.0 Gr. 5
72	732-04528	1		Extension Srping .50 OD x 5.0
73	938-0380	1	/P	Shoulder Screw .500 x .25
74	750-04776	1		Spacer, .380 x .625 x .265
	629-0949B	1		Reverse/Ground Wire Harness Adapter) (not shown

14AQ81GK897 (2009)
Electric PTO

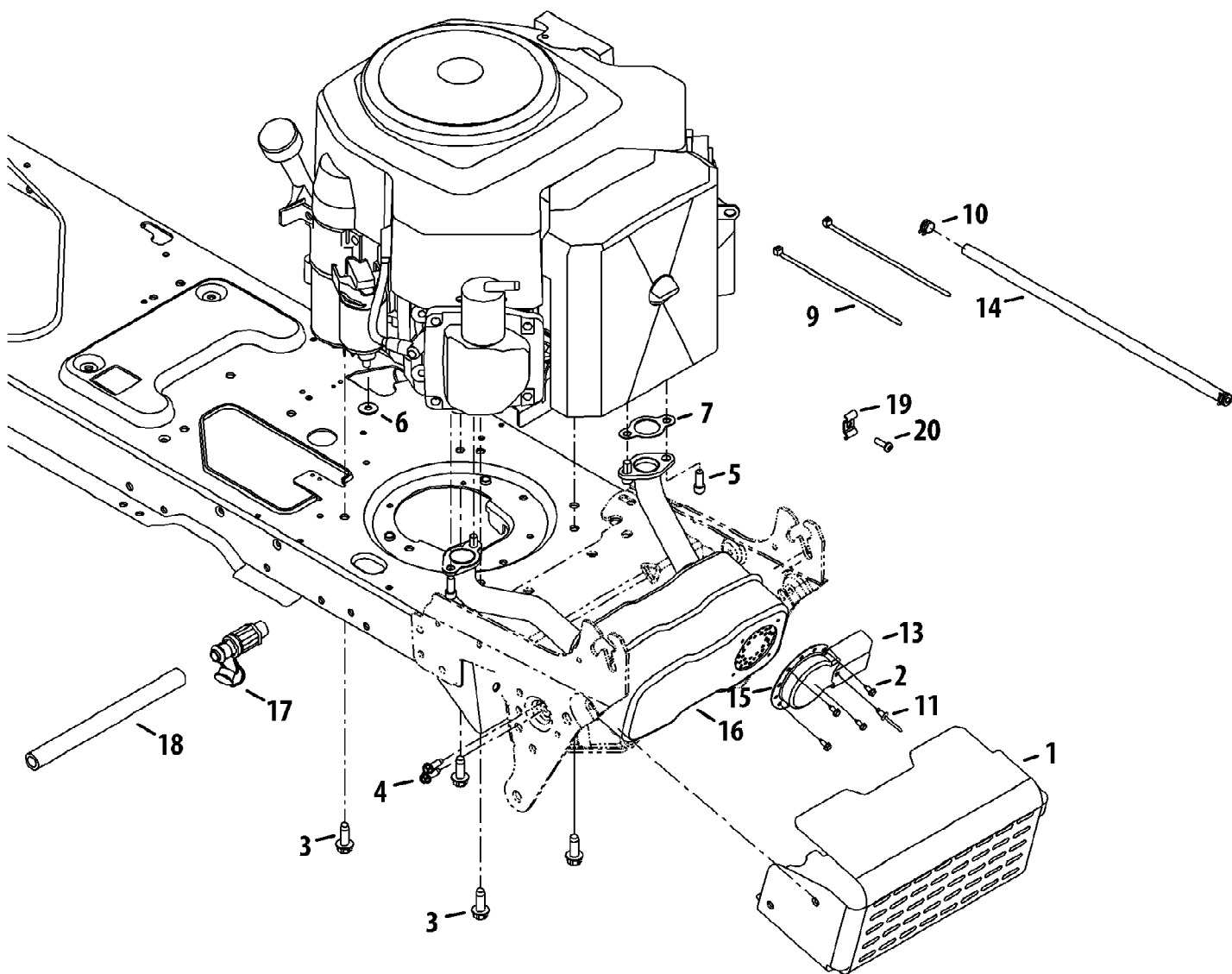


14AQ81GK897 (2009)
Electric PTO

Page 5 of 21

Ref #	Part Number	Qty	S/P/F	Description
1	683-04173B-0606	1		Lower Frame Assembly
2	710-0607	1	/P	Hex Wash HD S-Tapp Scr 5/16-18 x
3	710-0642	1	/P	Thd Form ing Scr. 1/4-20 x .75 Lg.
4	710-04484	1		S-Tapp Scr 5/16-18 x .75
5	710-3005	1	/P	Hex Bolt 3/8-16 x 1.25
6	712-04064	1	/P	Hex L-Flanged Nut 1/4-20 Gr. F Ny Ion
7	712-04065	1	/P	Flange Lock-Nut 3/8-16 Gr. F Ny Ion
9	732-04035	1		Compression Spring 1.28 x 3.125
10	936-0222	1	/P	Ext. L-Washer 1/4 ID
11	783-0693-0637	1		Axle Bracket
12	710-0599	1	/P	Hex Wash S-Tapp Scr 1/4-20 x .50
13	725-04439	1		Solenoid
14	738-04058	1		Shoulder Spacer .38 x 1.0 x .70
15	747-04121A	1		Battery Re tainer Rod
16	783-0349-0637	1		Battery Tray
17	783-04329A-0606	1		Frame Seat Bracket
18	783-04811C-0606	1		Upper Frame (800)
19	710-3011	1	/P	Hex Cap Screw, 3/8-16 x 2.25 Gr. 5
21	917-04174A	1	/P	Electric PTO Clutch 46 & 50" Deck
21	917-1774C	1	/P	Electric PTO Clutch 54" Deck
22	736-0277	1		Flat Washer 1.03 ID x 1.64 OD x .095
23	748-0415B	1	/P	Spacer .385 ID x .635 OD x 1.54
24	756-0978B	1	/P	Engine Pulley (w/Hydrostatic models)
24	756-0639A	1	/P	Engine Pulley, 3.56 OD
27	936-0171	1	/P	Lockwasher 7/16 ID
32	783-04612-0637	1	/P	Steering Support Bracket
33	954-04033	1	/P	V-Belt Type A Sec x 118.20 (46" Deck)
33	954-0642	1	/P	V-Belt Type A Sec x 138.0 (54" Deck)
35	925-1707D	1	/P	Battery 245 CCA (Dry)
36	710-04666	1		Hex Flg. Bolt 1/4-10 x .75 Gr. 5
37	712-0271	1	/P	Sems Hex Nut 1/4-20
38	712-3087	1	/P	Wing Nut 1/4-20 Thd.
39	738-1132	1		Shoulder Screw, 1/4-20
40	710-04379A	1		Hex Hd. Cap Scr. 7/16-20 x 3.5
41	783-04419B-0637	1	/P	Bracket Clutch (w/ 54" Deck)
42	783-04467-0606	1		Bracket - Deck Stop (w/54" Deck)

14AQ81GK897 (2009)
Engine Accessories

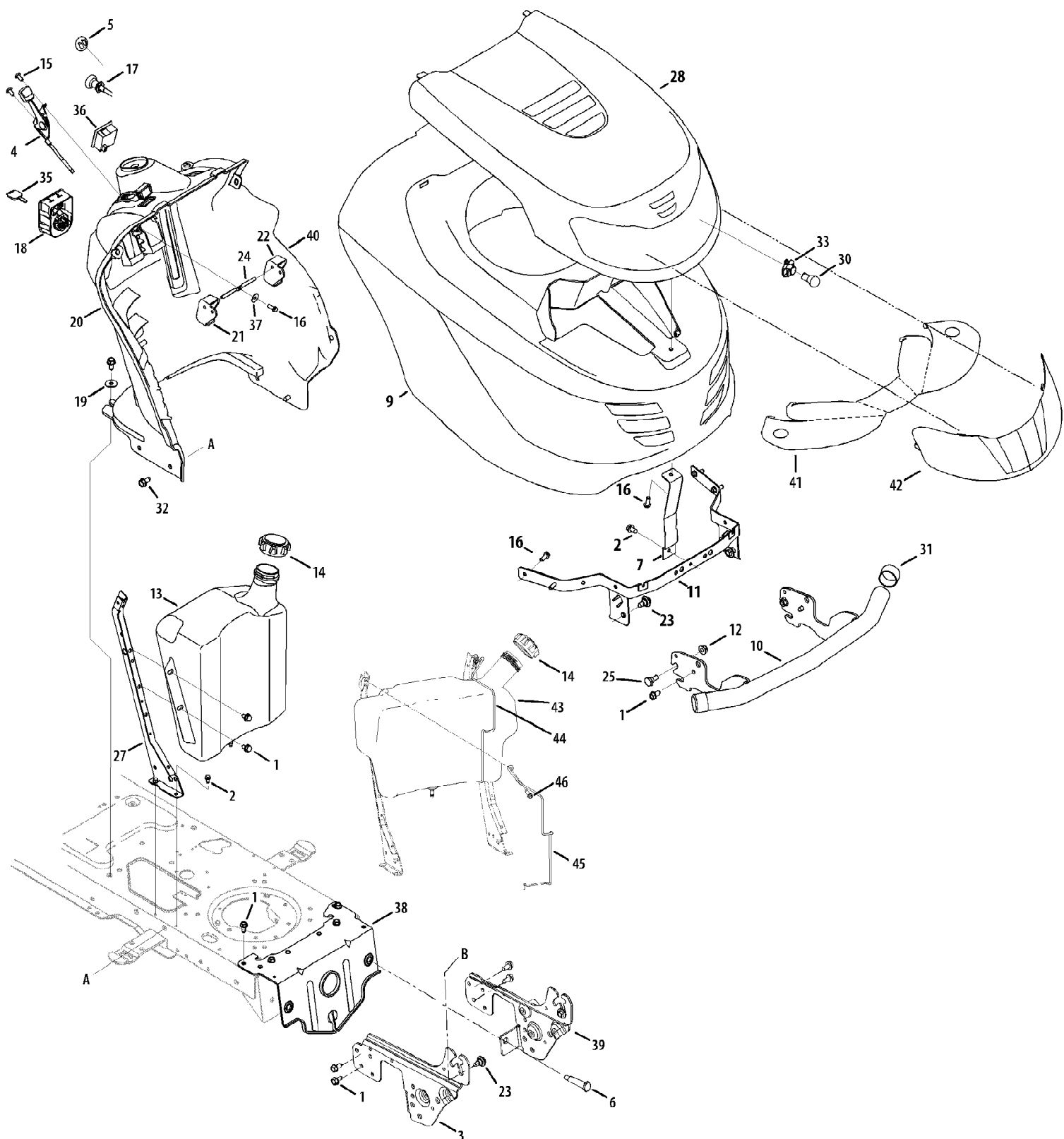


14AQ81GK897 (2009)
Engine Accessories

Page 7 of 21

Ref #	Part Number	Qty	S/P/F	Description
1	683-04549-0637	1	/P	Muffler Shield
2	710-0227	1	/P	Hex Wash HD AB S-Tapp Scr #8-.50
3	710-04683	1		Hex Wash S-Tapp Scr 3/8-16 x 1.0
4	710-0642	1	/P	Thd Form ing Scr. 1/4-20 x .75 Lg.
5	710-1314A	1	/P	Socket HD Cap Scr. 5/16-18 x .75
6	712-0271	1	/P	Sems Nut 1/4-20
7	N/A	1		Gasket supplied by Kohler
9	725-0157	1	/P	Cable Tie
10	726-0205	1	/P	Hose Clamp
11	728-04000	1		Rivot, Pop, .188 x .3
12	936-0300	1	/P	Flat Washer .385 ID x .87 OD x .06
13	751-0564B	1	/P	Muffler Deflector
14	751-10349-54	1	/P	Fuel Hose; Low Permeation, 51" Lg.
15	751-10353	1		Muffler Deflector Long
16	751-10528	1	S	Muffler
17	951-10517A	1	/P	Oil Drain
18	751-3141-14	1	/P	Oil Drain Hose
19	KH-47-237-02	1	S	Clamp
20	KH-24-086-43-S	1		Torx Tap. Screw M5 x 0.8

14AQ81GK897 (2009)
Hood & Grille

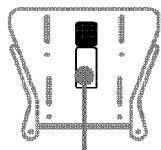


14AQ81GK897 (2009)
Hood & Grille

Page 9 of 21

Ref #	Part Number	Qty	S/P/F	Description
1	710-04484	1		S-Tapp Scr 5/16-18 x .75
2	710-0599	1	/P	Hex Wash S-Tapp Scr 1/4-20 x .50
3	783-05328A-0637	1	/P	RH Pivot Support Bracket
3	783-05418-0637	1		RH Pivot Support Bracket (50 & 54" decks)
4	746-04364	1		Throttle/Choke Cont. Cable 25" Lg. (Single)
4	946-04542	1	/P	Throttle/Choke Cont. Cable 46.5" Lg. (Twin)
4	746-04417	1	S	Throttle Control Cable 46.5" Lg. (Twin w/sep choke)
5	731-1999	1		Choke Plug
6	738-04128	1		Shoulder Bolt .5 x 2.38, 3/8-16
7	783-06117-0637	1	/P	Hood Support Bracket
9	931-06538	1	/P	Grill Style "G" (w/side fill)
10	683-04219B-0637	1	/P	Bumper Assembly
11	783-04606C-0637	1	/P	Hood Pivot Bracket
12	912-3000	1	/P	Hex Lock-Nut 3/8-16 Gr.B
13	N/A	1		Fuel Tank 3 Gal. Not used in this application
14	751-0603A	1	/P	Cap-Fuel
15	710-1017	1	/P	Torx Mach. AB-Tapp Scr. 1/4-14 x .625 Lg
16	710-0895	1		Hex Tapp Scr 1/4 x .75" Lg.
17	746-1085A	1	S	Choke Cable 37.5" Lg.
18	925-04230B	1	/P	Ignition Switch
19	736-0701	1		Flat Washer
20	931-06621	1	/P	Dash Panel (Elect. PTO w/ fuel level window)
21	731-04214	1		Cruise Control Button
22	731-04213	1		Parking Brake Button
23	738-04091A	1	/P	Shoulder Screw .43 x .29, 5/16-18
24	747-1155	1		Pivot Rod
25	738-0143	1	/P	Shoulder Scr. .498 x .340: 3/8-16
27	783-04285F-0637	1	/P	RH Dash Support Plate
27	783-04323F-0637	1	/P	LH Dash Support Plate (not shown)
28	931-04308	1	/P	Upper "G" Style Hood
30	925-0963	1	/P	Miniature Lamp 12V Socket Type
31	731-05674	1		Bumper Cap
32	710-0726	1	/P	Screw 5/16-12 x .75
33	925-1649	1	/P	Socket
35	925-1745A	1	/P	Ignition Key w/Plastic Cover
35	925-1745A	1	/P	Ignition Key w/o Plastic Cover
36	725-04861	1		Wire Harness (w/Hour Metre)
37	936-0142	1	/P	Flat Washer .281 x .50 x .063
38	783-05326-0637	1	/P	Pivot Bar Bracket
39	783-05327B-0637	1	/P	LH Pivot Support Bracket
39	783-05418-0637	1		RH Pivot Support Bracket (50 & 54" decks)
40	931-06621	1	/P	Dash Panel (Elect. PTO w/ fuel level window)
41	777x43285	1		Reflective Label
42	931-06564	1	/P	Lens (Style G)
43	951-10573	1	/P	Fuel Tank 2.75 Gal.
44	747-05050	1		Tank Support Rod LH
45	747-05049	1		Tank Support Rod RH
46	710-0642	1	/P	Hex TT Screw 1/4-20 x .75

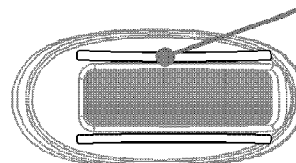
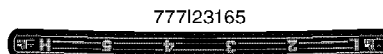
14AQ81GK897 (2009)
Label Map Q81GK



Model Plate

777I22679

Top Of Engine In
Position Shown
On Correct Engine



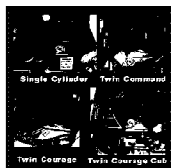
777D11932
Center On Operators
Left Side Of
Fender Front



777X43688
Place on Engine
Near Gas Cap



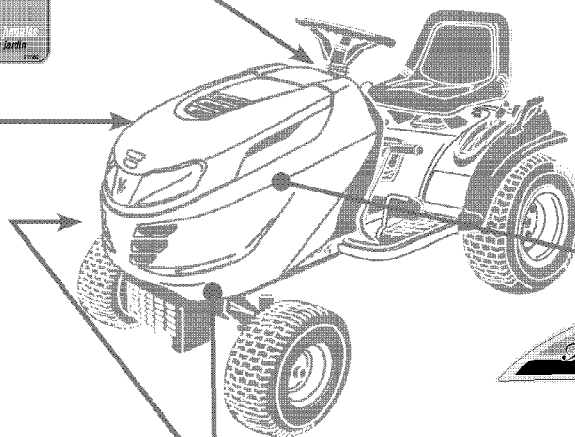
(QTY 2) 777D03126



777I20810



777D13467
Place On Right Side Panel
Centered Under Air Vent



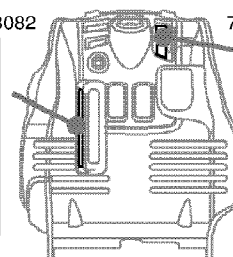
777D13468
Place On Left Side Panel
Centered Under Air Vent



(QTY 2) 777D13477



777I23082



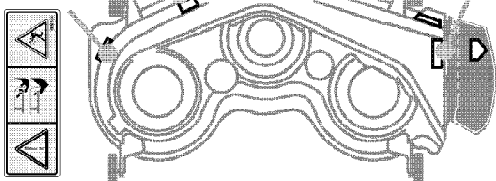
777I20882



777I22265



777S32356



777S30296
Place Under Chute

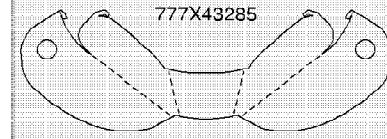


*777S32364
In Mold Graphic
*Reference Only



REFERENCE ONLY ASSEMBLED BY IP

777X43285

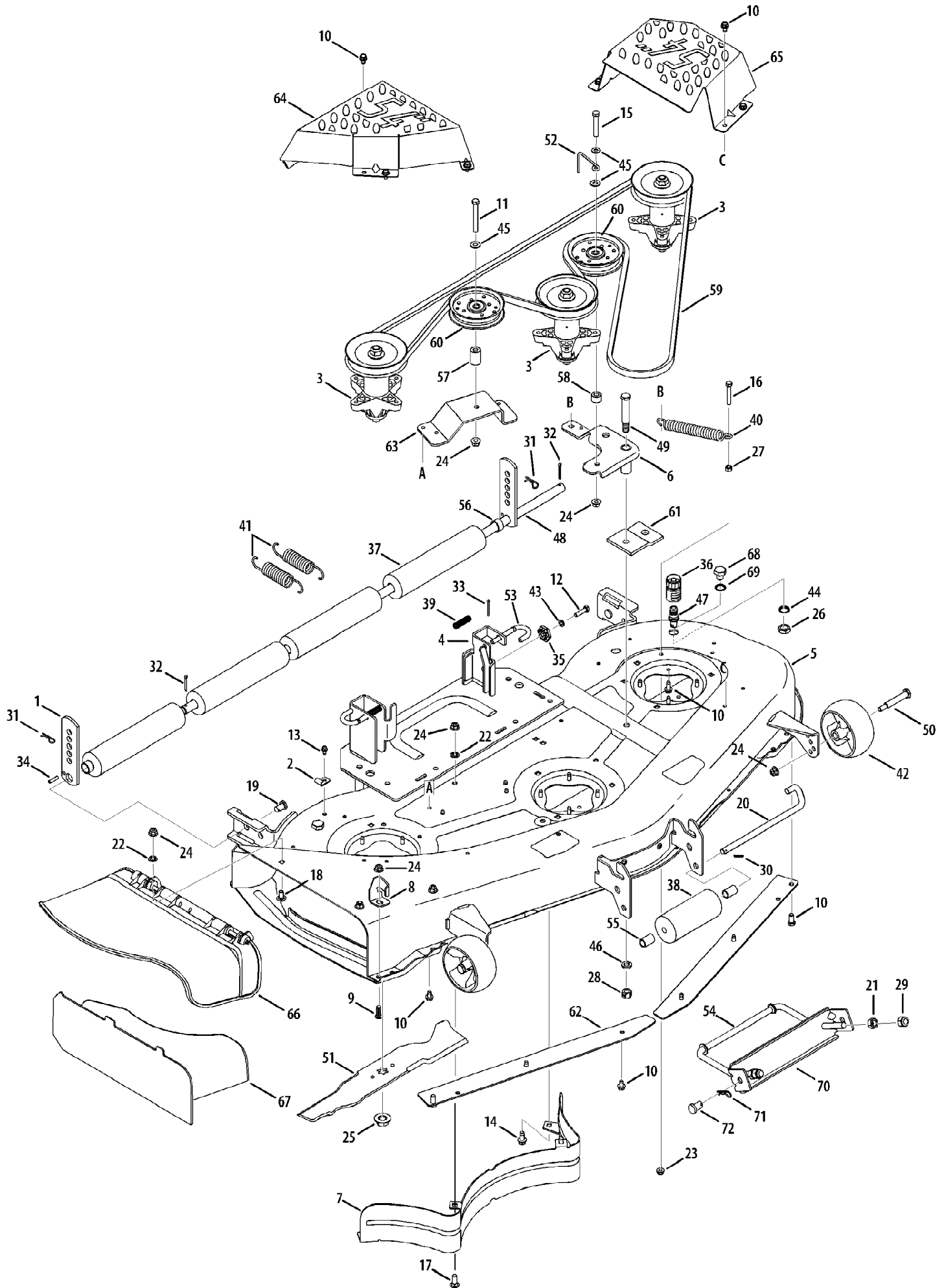


14AQ81GK897 (2009)
Label Map Q81GK

Page 11 of 21

Ref #	Part Number	Qty	S/P/F	Description
777CD30086	777CD30086	1		LABEL-REAR FENDER COLUMBIA
777D11932	777D11932	1		LABEL-HYD 54" FNDR COLUMBIA
777I22679	777I22679	1		LABEL-CHECK ENG OIL
777D13467	777D13467	1		LABEL-RIDER HOOD RH COLUMBIA
777S32356	777S32356	1		LABEL:RIDER SAFETY
777I22265	777I22265	1		LABEL-BELT ROUTE
777S32364	N/A	1		LABEL:RIDER SFTY:IN-MOLD CHTE EURO Mold-In Graphic
777S30296	777S30296	1		LABEL:RIDER DECK:
777D13477	777D13477	1		LABEL:RIDER LWR SD PNL:Q81GK
777X43285	777X43285	1		LABEL-REFLECTOR G STYLE
777I23082	777I23082	1		LABEL-RIDER NX-9 GAS GUAGE
777I20882	777I20882	1		LABEL-DASH THROTTL
777D13468	777D13468	1		LABEL-RIDER HOOD LH COLUMBIA
777I20810	777I20810	1		LABEL-HITCH PLATE BYPASS ROD
77D03126	777D03126	1		LABEL-REFLECTOR FNDR
777X43688	777X43688	1		LABEL-ETHANOL
777I23165	777I23165	1		LABEL-RIDER RT99 DECK HT POD
777S32545	777S32545	1		LABEL-RIDER SAFETY

14AQ81GK897 (2009)
Mower Deck 54 Inch



14AQ81GK897 (2009)
Mower Deck 54 Inch

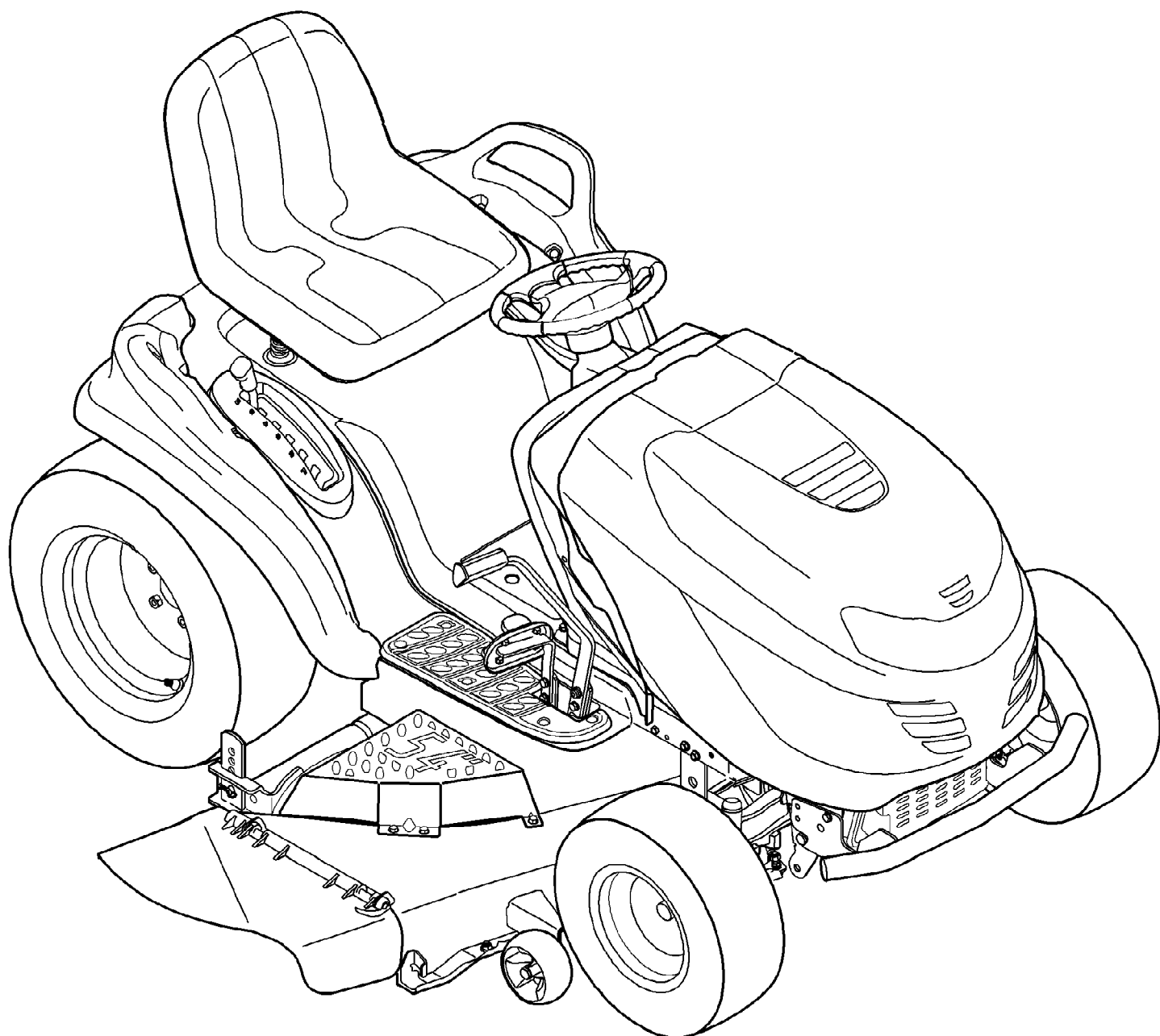
Page 13 of 21

Ref #	Part Number	Qty	S/P/F	Description
1	12650-0637	1		Bracket, Height Adjustment
2	96606	1	/P	Retainer Hook Brkt.
3	918-0671B	1	S	Spindle Assembly
3	712-0417A	1	/P	Flange Nut:5/8-18 Not shown
3	937-3000	1	/P	Grease Fitting:3/16:LNC #70:DRIVE Not shown
3	738-1197	1		Spindle Shaft:6.95 LG. Not shown
3	941-0919	1	/P	Ball Bearing:20x47x14:62 Not shown
3	748-0160A	1		Spacer:.790 ID x 1.25OD X .175 Not shown
3	750-1000	1		Spacer:.80 x 1.10 x 1.322 Not shown
3	750-1349A	1	/P	Spacer:.79 x 1.82 x .55 Not shown
3	756-04216	1		Deck Pulley:V TYP:5.39 Not shown
4	683-0254B-0606	1		Deck Adjustment Bracket w/Weld Nut
5	983-04483-0606	1	/P	54" Deck
6	683-0459-0637	1		Idler Assembly
7	703-2093-0637	1	/P	RR Inner Baf fle
8	703-3279-0606	1		Chute Stop Deflector
9	710-04095	1		Screw, 3/8-16 x 1.0
10	710-04484	1		S-Tapp Scr 5/16-18 x .75
11	710-0521	1	/P	Screw, 3/8-16 x 3.0
12	710-0528	1	/P	Hex Bolt 5/16-18 x 1.25
13	710-0599	1	/P	Hex Wash S-Tapp Scr 1/4-20 x .50
14	710-0623	1	/P	Screw, 3/8-16 x 0.75
15	710-0859	1	/P	Screw, 3/8-16 x 2.5
16	710-3103	1	/P	Hex Hd Cap Scr. 5/16-18 x 2.0 Gr. 5
17	710-3168	1	/P	Carriage Bolt 3/8-16 x 1.0
18	710-3178	1	/P	Short Neck Carriage Bolt 3/8-16 x .75
19	711-0332	1	S	Clevis Pin .50 Dia. x .78
20	711-1737	1		Roller Pin .5" Dia x 10.06
21	912-0206	1	/P	Hex Nut 1/2-13
22	712-0229	1		Push Nut 3/8
23	712-04063	1	/P	Flange Locknut 5/16-18 Gr. F, Ny Ion
24	712-04065	1	/P	Flange Lock-Nut 3/8-16 Gr. F Ny Ion
25	712-0417A	1	/P	Hex Flange Nut 5/8-18
26	912-0641	1	/P	Hex Nut, M16-1.5
27	912-3010	1	/P	Hex Nut 5/16-18 hd. (Gr. 5)
28	712-3022	1	/P	Hex L-Nut 1/2-13
29	712-3083	1	/P	Hex L-Nut 1/2-13
30	914-0111	1	/P	Cotter Pin 3/32 x 1.0
31	914-0145	1	/P	Cotter Pin
32	714-0162	1	/P	Cotter Pin
33	914-0470	1	/P	Cotter Pin 1/8" Dia x 1.25
34	715-0108	1	/P	Spring Pin 1/4 Dia. x 1.0
35	917-04074	1	/P	Deck Adjustment Gear
36	921-04041	1	/P	Water Nozzle Adaptor
37	731-0335	1		Deck Roller
38	731-05679	1		Front Roller
39	932-0306A	1	/P	Compression Spring .531 OD x 1.75 Lg.
40	732-0459C	1	/P	Extension Spring .94 Dia. x 6.74
41	732-0934	1		Extension Spring 1.5 x 5.99
42	734-04155	1		Deck Wheel 5.0
43	936-0119	1	/P	L-Wash 5/16 ID

14AQ81GK897 (2009)
Mower Deck 54 Inch

Page 14 of 21

Ref #	Part Number	Qty	S/P/F	Description
44	736-0225	1	/P	Lockwasher 5/8
45	936-0300	1	/P	Flat Washer .406 x .875 x .059
46	936-0921	1	/P	Lockwasher
47	737-04003D	1	/P	Port, Water
48	738-0295	1		Shaft .75 x 47.12
49	738-1229A	1	/P	Shoulder Screw
50	938-3056	1	/P	Shoulder Screw
51	942-0677B	1	/P	Blade 18.5
52	747-04938	1		Idler Belt Keeper Rod
53	747-1116	1	/P	Deck Release Pin
54	747-1324	1		Deck Adjustment Rod
55	950-0151	1	/P	Spacer .55 ID x .75 OD
56	950-0212	1	/P	Spacer .82 ID x 1.0 OD x .53
57	750-04597	1		Spacer .380 ID x .90 OD x 1.313
58	750-0933	1		Spacer .385 ID x .88 OD x .64
59	954-0642	1	/P	V-Type Belt, B Section
60	756-04129	1	S	Idler Poulie w/Flange 4.25 Dia
61	783-04013A-0637	1	/P	Bracket, Stabilizing
62	783-04690B-0637	1	/P	Deck Shirt
63	783-04726-0637	1		Idler Bracket
64	783-1470A-0606	1		Spindle Cover RH
65	783-1471-0606	1		Spindle Cover LH
66	631-04070A	1	/P	Chute Assembly
67	731-04651	1		Mulching Plug
68	738-04146	1		Plug Bolt, M16 x 1.5
69	736-0187	1	/P	Flat Washer .64 x 1.24 x .06
70	783-0720C-0637	1	/P	Front Deck Rod Adjustment Bracket
71	914-04023	1	/P	Hair pin Clip
72	911-0332	1	/P	Clevis Pin .50 x .78



14AQ81GK897 (2009)
Quick Reference

Page 16 of 21

Ref #	Part Number	Qty	S/P/F	Description
	759-3336	1	/P	Spark Plug
	KH-25-050-25-S	1		Oil Filter
	KH-32-883-03-S1	1	/P	Pre Filter
	KH-32-883-03-S1	1	/P	Air Filter
	KH-25-050-22-S1	1	/P	Fuel Filter
	751-0603A	1	/P	Fuel Cap
	725-04439	1		Solenoid
	918-0666A	1	/P	Deck Spindles 46 Inch
	918-0671B	1	S	Deck Spindles 54 Inch
	942-0611A	1	/P	Blades 46 Inch - Outer
	942-0612A	1	/P	Blades 46 Inch - Center
	942-0677B	1	/P	Blades 54 Inch
	712-0417A	1	/P	Blade Nuts
	734-0973	1	/P	Deck Wheels 46 Inch Rear
	734-04155	1		Deck Wheels
	923-0448A	1	/P	Ball Joints
	925-1745A	1	/P	Ignition Keys
	746-1085A	1	S	Choke Cable
	746-0968	1		Deck Lift Cable
	946-04542	1	/P	Throttle Cable
	N/A	1		Upper Drive Belt
	954-0461	1	/P	Lower Drive Belt
	954-04033	1	/P	Deck Spindle Belt
	954-0642	1	/P	Deck Spindle Belt
	954-04033	1	/P	PTO Belt 46 Inch
	954-0642	1	/P	PTO Belt 54 Inch
	925-04039	1	/P	Safety Switch - Brake
	925-04039	1	/P	Safety Switch - Deck
	631-0216A	1	/P	Discharge Chute 46 Inch
	631-04070A	1	/P	Discharge Chute 54 Inch
	731-05264	1		Mulch Plug 46 Inch
	731-04651	1		Mulch Plug 54 Inch
	925-1707D	1	/P	Battery

14AQ81GK897 (2009)
Seat & Fender

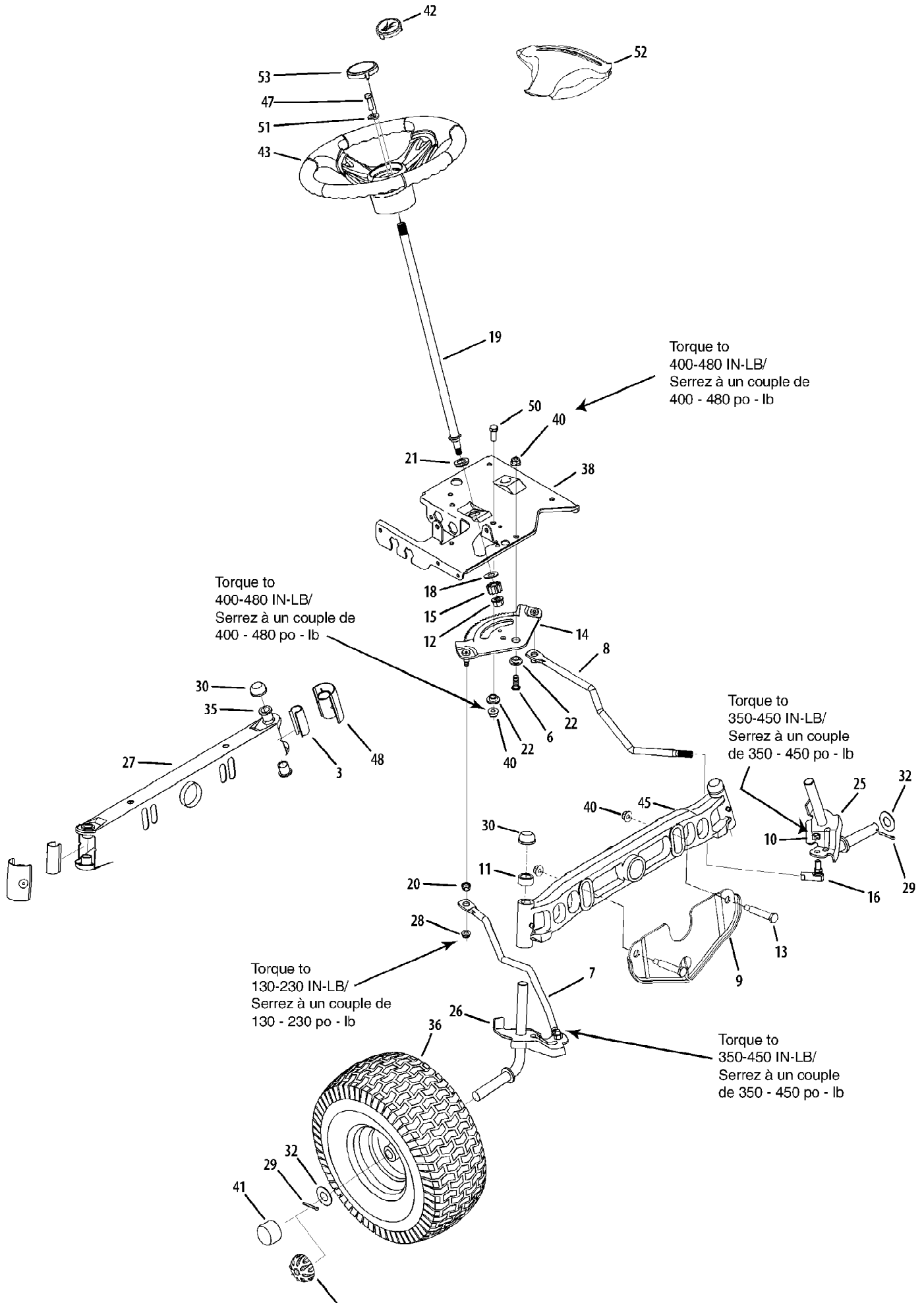
Page 18 of 21

Ref #	Part Number	Qty	S/P/F	Description
1	710-0451	1	/P	Carriage Bolt 5/16 x 18 x .75" Lg.
2	683-04223-0637	1	/P	Lift Shaft Assembly(42" and 46" Deck)
2	683-04118-0637	1	/P	Lift Shaft Assembly (54" Deck)
3	911-0332	1	/P	Clevis Pin
4	710-04484	1		S-Tapp Scr 5/16-18 x .75
5	712-04065	1	/P	Hex Flange Locknut 3/8-16 Gr. F,Ny Ion
6	712-04063	1	/P	Hex Flange Locknut 5/16-18 Gr. F Ny Ion
7	726-3046	1	/P	Clip-Ratchet
8	914-0104	1	/P	Int. Cotter Pin 5/16 Dia.
9	914-04023	1	/P	Internal Cotter Pin .080 x 1.5625
10	716-0106A	1		E-ring
11	720-0311	1		Handle Grip
12	732-0874	1	/P	Torsion Spring
13	732-04563	1		Compression Spring .68 x 1.065 x .055
14	783-06050	1		Seat Adjustment Lever
15	732-04561	1		Compression Spring 1.71 x 3.735 x .238
16	783-06088-0606	1		Seat Pivot Bracket
18	738-0138A	1	/P	Shoulder Scr. .437 Dia x .47
19	938-0380	1	/P	Shoulder Screw .500 x .25 (46"/50")
20	941-0225	1	/P	Hex Flange Bearing .630 ID
22	746-0968	1		Lift Cable, 16.16
23	747-04447	1		Lift Handle
24	756-1154	1		Roller Pulley
25	783-04963A-0637	1		Arm Lift (46" deck w/manual PTO & 50" deck)
25	783-05546-0637	1	S	Arm Lift (54" deck)
26	783-0720C-0637	1	/P	Deck Stabilizer Bracket
28	738-04130	1		Shoulder Screw .625 x .175: 3/8-16
29	710-0895	1		Hex Scr. 1/4-15 x .75
30	731-06795	1		Lift Lever Cover
31	N/A	1		Shift Lever Cover w/Cup Holder Not used in this application
32	736-3078	1	/P	Flat Washer .344 ID x 1.0
33	783-0677B-0637	1	/P	Lift Adjustment Bracket
34	783-06247-0606	1		Fender 9 (Hydrostatic Models Only)
36	936-0300	1	/P	Flat Washer .406 x .875 x .059
37	N/A	1		Deck Lift Arm RH (42" Deck) Not used in this application
38	720-04061	1		Knob, 3/8-16 x .625
39	731-1993A	1		Cover w/Cup Holder
40	731-2619	1		LH Fender Flare
41	731-2618	1		RH Fender Flare
42	712-0271	1	/P	Sems Hex Nut 1/4-20
43	738-04012A	1	/P	Shoulder Spacer .625 x .175, 3/8-16
44	710-04482	1		Hex Flg. Bolt 3/8-16 x.875
45	938-0296	1	/P	Shoulder Bolt .437 Dia. x .268
46	783-06049-0606	1		Seat Mounting Bracket
47	710-0932	1	/P	Carriage Bolt 1/4-20 x 1.00" Lg.
49	757-04090	1		High Back Seat Black (w/arm rests)
50	735-0656	1		RH Foot Pad
51	735-0657	1		LH Foot Pad
52	914-0111	1	/P	Cotter Pin 3/32 dia. x 1.00 Lg.
53	783-05546-0637	1	S	Arm Lift (46"/54" deck w/Electric PTO)

14AQ81GK897 (2009)
Seat & Fender

Page 19 of 21

Ref #	Part Number	Qty	S/P/F	Description
55	N/A	1		Lift Lever Cover (Model 60R) Not used in this application
56	783-04081C-0637	1	/P	Seat Pivot Bracket, Manually Adjusted
57	735-0690	1		Grommet
58	750-3310	1		Flg. Spacer .3125 x .4375 x .625
59	710-0870	1	/P	Hex Wash Hd Scr. 3/8-16 x .625 Gr. 5
	757-04073	1		Arm Rest Kit Not shown



14AQ81GK897 (2009)
Steering

Page 21 of 21

Ref #	Part Number	Qty	S/P/F	Description
3	731-04057A	1		Axle End Cap - Std.
6	710-04095	1		Hex Cap Screw 3/8-16 x 1.00 Gr. 5 Spec.
7	711-1408	1		RH Drag Link
8	711-1409A	1	/P	LH Drag Link
9	783-04568-0637	1		Front Deck Hanger Brkt. (Style 6)
10	912-0214	1	/P	Hex Cent. L-Nut 3/8-24
11	748-04068	1		Spacer .71 ID x .125 OD x .56" Lg.
12	712-0459	1	/P	Flange Lock Nut, 7/16-20
13	738-04128	1		Shoulder Bolt .50 x 2.38: 3/8-16
14	917-1550E	1	S	Steering Gear, 11/90 Ratio
15	717-1554	1		Steering Pinion Gear
16	923-0448A	1	/P	Ball Joint, 7/16 - 20
18	736-3084	1	/P	Fl. Washer .510 x 1.120 x .060
19	738-04263	1		Steering Shaft, .625 OD x 24.25
20	941-0475	1	/P	Plastic Bushing .380 ID
21	741-04237B	1	/P	Hex Flange Bearing, 5/8
22	738-04154	1		Shoulder Spacer
25	638-04003AP	1	/P	LH Axle Assembly, .750 Dia. (46", 50" & 54")
26	938-04004A	1	/P	RH Axle Assembly, .750 Dia. (46", 50" & 54")
27	683-0128B-0637	1	/P	Pivot Bar
28	712-3004A	1	/P	Hex Flange L-Nut 5/16-18 Gr. 5
29	714-0162	1	/P	Cotter Pin 5/32" Dia. x 1.25
30	726-0341	1	/P	Push Cap, .750
32	736-04228A	1		Flat Washer .781 ID x 1.90 OD
35	741-0660A	1	/P	Flange Bearing .760 ID x .937 OD
36	634-04088A-0911	1		Wheel Assembly
36	734-04148-0901	1	/P	Tire Only
36	934-04082-0662	1	/P	Rim Only
36	934-0255	1	/P	Valve
37	731-2290A	1	/P	Hub Cap
38	783-04612-0637	1	/P	Steering Support Bracket
39	738-0143	1	/P	Shld. Scr. .500 Dia. X .335" Lg.
40	712-04065	1	/P	Hex Flange L-Nut 3/8-16 Gr. F
41	731-05674	1		Cap
42	731-04040	1		Steering Wheel Cap - Small w/logo
43	631-04008A	1	/P	Steering Wheel - 3 Spokes Soft Grip
45	719-04177A	1		Cast Iron Pivot Bar (.750 dia.)
47	710-0643	1	/P	Hex Screw 5/16-18 X 1.00 Special
48	931-1291A	1	/P	Pivot Bar End Cap
50	710-0514	1	/P	Hex Screw 3/16 x 1.00
51	936-3004	1	/P	Flat Washer .406 ID x .875 OD x .105
52	731-04065A	1		Steering Wheel Cover - MTD
53	N/A	1		Steering Wheel Cap - Small Toro Not used in this application