

13AQ62GP897 (2009)
Deck Assembly

Page 2 of 22

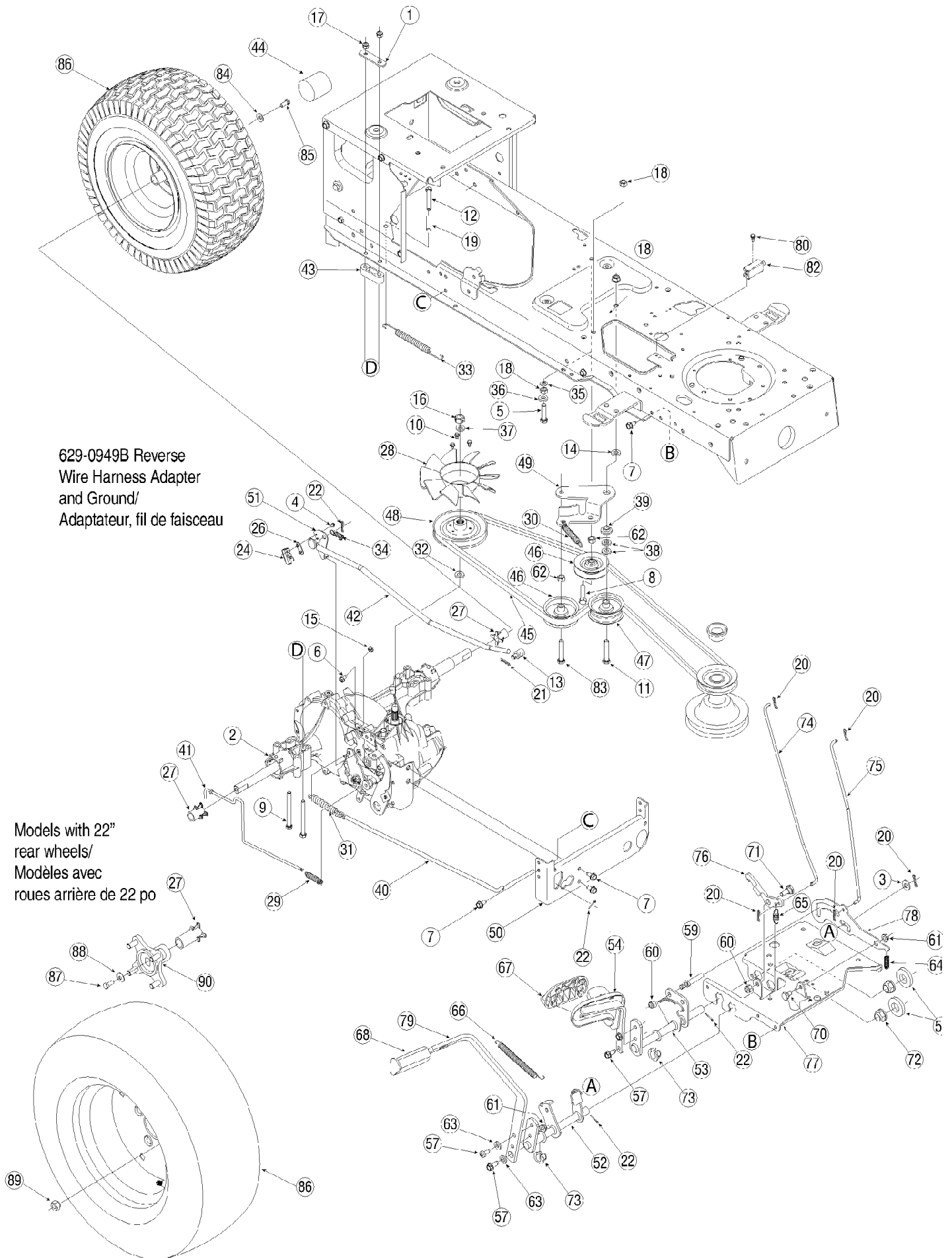
Ref #	Part Number	Qty	S/P/F	Description
1	96606	1	/P	Retainer Hook Brkt.
2	918-04126A	1	S	Spindle Assembly
2	712-0417A	1	/P	Flange Nut:5/8-18 Not shown
2	736-0315	1	/P	Flat Washer:.760 x 1.50 X .120 Not shown
2	937-3000	1	/P	Grease Fitting:3/16:LNC #70:DRI Not shown
2	738-1010A	1	/P	Spindle Shaft:5.75 LG. Not shown
2	941-0919	1	/P	Ball Bearing:20x47x14:62 Not shown
2	748-0160A	1		Spacer:.790 ID x 1.25 OD X .175 Not shown
2	750-1000	1		Spacer:.80 x 1.10 x 1.322 Not shown
2	750-1349A	1	/P	Spacer:.79 x 1.82 x .55 Not shown
2	756-04216	1		Deck Pulley:V TYP:5.39 Not shown
3	683-0254B-0637	1	/P	Deck Adjustment Bracket w/Weld Nut
4	983-04075B-0606	1	/P	50" Deck (weldment)
5	703-3279	1		Chute Stop Deflector
6	710-0347	1	/P	Hex Screw 3/8-16 x 1.75
7	710-04095	1		Screw, 3/8-16 x 1.0
8	710-0528	1	/P	Hex Bolt 5/16-18 x 1.25
9	710-0599	1	/P	Hex Wash S-Tapp Scr 1/4-20 x .50
10	710-0607	1	/P	Hex Wash HD AB Tap Scr 5/16-18 x .75
11	710-0726	1	/P	Hex Wash HD AB Tap Scr 5/16-12 x .75
12	710-04484	1		S-Tapp Scr 5/16-18 x .75
13	710-3005	1	/P	Screw, 3/8-16 x 1.25
15	710-3178	1	/P	Short Neck Carriage Bolt 3/8-16 x .75
16	711-1737	1		Pin, Roller, .50" Dia. x 10.06
17	912-0206	1	/P	Hex Nut 1/2-13
18	712-0229	1		Push Nut 3/8
19	712-04063	1	/P	Flange Locknut 5/16-18 Gr. F, Ny Ion
20	712-04065	1	/P	Flange Lock-Nut 3/8-16 Gr. F Ny Ion
21	712-0417A	1	/P	Hex Flange Nut 5/8-18
22	912-0641	1	/P	Hex Nut, M16-1.5
23	912-3010	1	/P	Hex Nut 5/16-18 hd. (Gr. 5)
24	712-3083	1	/P	Hex L-Nut 1/2-13
25	914-0111	1	/P	Cotter Pin 3/32 x 1.0
26	914-0470	1	/P	Cotter Pin 1/8" Dia x 1.25
27	917-04074	1	/P	Deck Adjustment Gear
28	921-04041	1	/P	Wa ter Noz zle Adap tor
29	731-3005	1	/P	Front Roller
30	932-0306A	1	/P	Compression Spring .531 OD x 1.75 Lg.
31	732-0459C	1	/P	Extension Spring .94 x 6.74
32	732-0934	1		Extension Spring 1.5 x 5.99
33	734-04155	1		Deck Wheel 5.0
34	734-0973	1	/P	Wheel Ass'y - Deck 5" x 1.38"
35	736-0119	1	S	L-Wash 5/16 ID
36	736-0225	1	/P	Lockwasher 5/8
37	936-0300	1	/P	Flat Washer .406 x .875 x .059
38	737-04003D	1	/P	Port, Wa ter
40	738-04162A	1	/P	Spacer, Shoulder .884 x .190
41	938-3056	1	/P	Shoulder Screw
42	942-04053C	1	/P	Blade 17.90
43	747-1116	1	/P	Deck Release Pin
44	747-1324	1		Deck Adjustment Rod
45	950-0151	1	/P	Spacer .55 ID x .75
46	954-04164	1	/P	Spacer .55 ID x .75

13AQ62GP897 (2009)
Deck Assembly

Page 3 of 22

Ref #	Part Number	Qty	S/P/F	Description
47	756-04129	1	S	Idler Pulley w/Flange 4.25 Dia
48	783-04399	1		LH Belt Cover
49	783-04400	1		RH Belt Cover
50	783-04414A-0637	1	/P	Deck Skirt Cen ter
51	783-04415-0637	1	/P	Deck Shirt RH
52	783-04462A	1		Lift Bracket
53	783-05303-0637	1	/P	Idler Bracket
54	631-04092B	1	/P	Side Chute Assembly
55	731-04651	1		Mulching Plug
56	756-04216	1		Deck Pulley 5.39 Dia.
57	736-0315	1	/P	Flat Washer .76 ID x 1.5 OD x .12

13AQ62GP897 (2009)
Drive Assembly



13AQ62GP897 (2009)
Drive Assembly

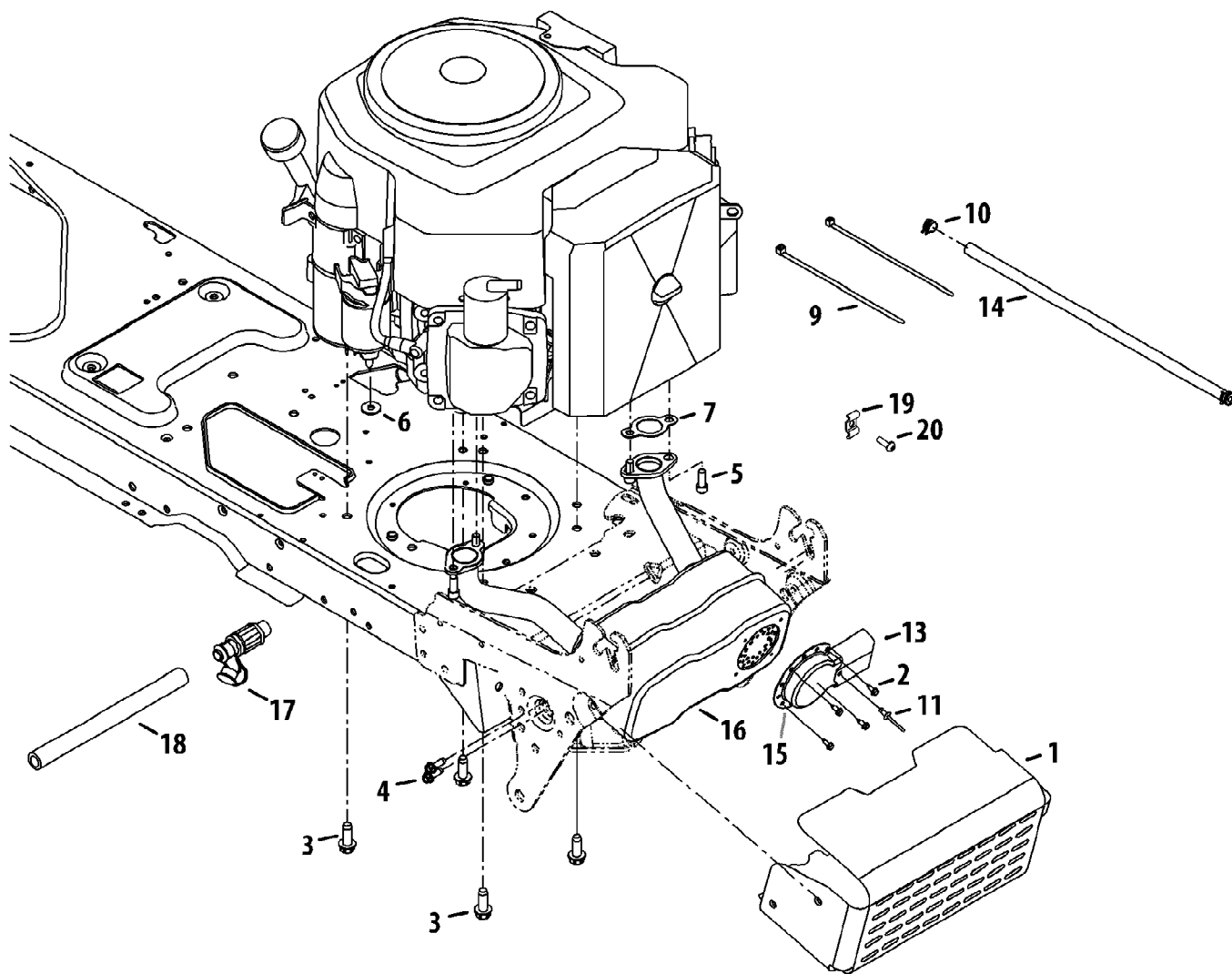
Page 5 of 22

Ref #	Part Number	Qty	S/P/F	Description
1	17840-0637	1	/P	Transaxle Mtg. Brkt.
2	918-04270B	1	/P	Hydrostatic Transmission (SLT Models)
3	736-0262	1	/P	Flat Washer .385 x .870 x .092
4	710-0227	1	/P	Hex Wash HD AB S-Tapp Scr #8-.50
5	710-0520	1	/P	Hex Screw 3/8-16 x 1.50
6	710-0653	1	/P	Hex Wash HD Tapp Scr 1/4-20 x .375
7	710-0726	1	/P	Hex Wash HD AB Tap Scr 5/16-12 x .75
8	710-0502A	1	/P	Hex Washer Scr 3/8-16 x 1.25
9	710-1266	1	/P	Hex Bolt 5/16-18 x 3.5" Lg.
10	710-3007	1	/P	Hex Tap Scr #12 x .375
11	710-3011	1	/P	Hex Bolt 3/8-16 x 2.25" Lg.
12	710-0778	1	/P	Hex Wash HD Bolt 1/4-20 x 1.50" Lg.
13	911-0832	1	/P	Adjustment Ferrule 3/8-24
14	736-0258	1	/P	Flat Washer .385 ID X 1.0 OD X .130
15	912-0291	1	/P	Hex Cent-L Nut 1/4-20
16	912-3066	1	/P	Hex Nut 1/2-20 Grade 5
17	712-04063	1	/P	Flange Locknut 5/16-18 Gr. F, Ny Ion
18	912-0431	1	/P	Hex. Flanged L-Nut 3/8-16 Gr. F
19	750-0566A	1	/P	Spacer .260 x .375 x 1.030 Lg.
20	914-0104	1	/P	Cotter Pin .072 Dia. x 1.13
21	914-0507	1	/P	Cotter Pin 3/32 x .75
22	914-0111	1	/P	Cotter Pin 3/32 dia x 1.00 Lg.
24	725-1644	1		Short Spring Switch
26	926-0320	1	/P	Insulator Nut Plate
27	731-05299	1		Sleeve 0.765 x 1.5" Lg.
27	731-05300	1		Sleeve 0.765 x 2.410" Lg.
28	931-1449A	1	/P	Fan
29	932-0209	1	/P	Extension Spring .47 OD x 2.03 Lg.
30	732-04323B	1	/P	Extension Spring
31	732-0716D	1	/P	Ext. Spring .59 OD x 4.00 Lg.
32	732-0729	1	/P	Wire Ring
33	732-0994	1		Extension Spring .75 x 5.39
34	732-3118	1		Extension Spring 3/8 x 1.44
35	936-0169	1	/P	L-Wash 3/8 ID
36	936-0300	1	/P	Flat Washer .385 ID x .87 OD x .06
37	936-0921	1	/P	L-Washer 1/2" ID
38	736-3010	1		Flat Washer .406 ID x .812 OD x .134
39	738-0372B	1	/P	Shoulder Spacer
40	747-04139	1		Brake Rod
41	747-1149	1		Hydrostatic By pass Rod
42	747-1151	1		Hydrostatic Control Rod
43	948-0334	1	/P	Transaxle Spacer
44	731-05674	1		Hub Cap
45	954-0461	1	/P	V" Belt
46	756-04209	1	/P	Pulley, V-Type Drive 3.06
47	756-04224	1	/P	Idler Pulley, Flat 2.75 OD
48	756-04111	1		In put Pulley
49	783-04442-0637	1		Idler Bracket
50	783-0810B-0637	1	/P	Transmission Torque Bracket
51	783-1019B	1	/P	Switch Ac tu a tor Bracket
52	647-04100-0637	1	/P	Brake Control Assembly
53	647-0049A-0637	1	/P	Drive Control Assembly
54	683-0267C	1	/P	Brake Control Assembly

13AQ62GP897 (2009)
Drive Assembly

Page 6 of 22

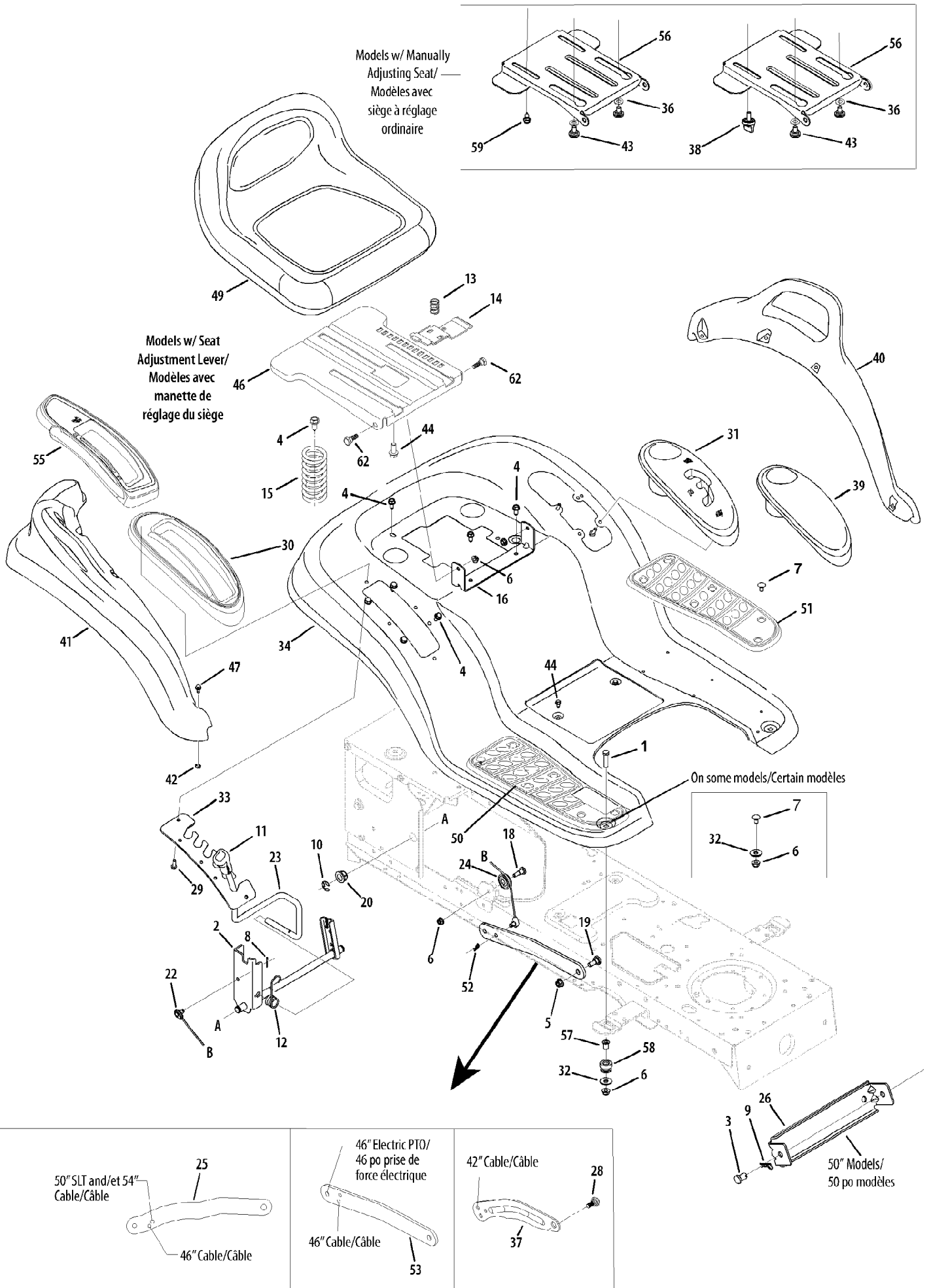
Ref #	Part Number	Qty	S/P/F	Description
56	736-0187	1	/P	Flat Washer .640 ID x 1.24 OD x .06
57	710-1260A	1	/P	Hex Wash. Hd. Scr. 5/16-18 x .75 Lg.
59	711-04159B	1		Pin 3/8-16 x 2.68 Lg.
60	712-04065	1	/P	Flange Lock-Nut 3/8-16 Gr. F Ny Ion
61	712-3004A	1	/P	Hex Flange L-Nut 5/16-18
62	912-0240	1	/P	Hex Jam Nut 7/16-20
63	936-0119	1	/P	L-Wash 5/16 ID
64	732-0335	1		Compression Spring
65	732-0955	1		Extension Spring, .50 OD x 1.41
66	732-0963	1		Extension Spring, .50 Dia. x 6.37
67	735-0662	1		AutoDrive Pedal Pad
68	735-3049A	1	/P	Brake Pad
70	938-0155	1	/P	Shld. Scr .437 Dia x .162 Lg.
71	938-0380	1	/P	Shoulder Screw .500 x .25
72	941-0225	1	/P	Hex Flange Bearing .630 ID
73	741-3065B	1	/P	Hex Flanged Bearing .628 ID
74	747-04093A	1		Brake Lock Rod
75	747-04096	1		Cruise Control Rod
76	748-04039C	1		Cruise Control Latch
77	783-04612-0637	1	/P	Steering Support Bracket
78	783-0663E	1	/P	Drive Lock out Bracket
79	747-04641A-0637	1	/P	Brake Pedal
80	710-04237	1		Shoulder Scr #10-32 x .50" Lg.
82	925-04039	1	/P	Inter lock Switch
83	710-1007	1	/P	Hex L-Wash HD Scr 3/8-16 x 1.5
84	736-0242	1	/P	Cupped Washer .345 ID x .88 OD x .060
85	710-0627	1	/P	Hex L-Bolt 5/16-24 x .75 Gr. 5
86	N/A	1		Wheel Assembly
86	734-04174	1		Tire Only Not shown
86	634-04238-0662	1	/P	Rim Only Not shown
86	934-0255	1	/P	Valve Not shown
87	710-0627	1	/P	Hex Hd. Cap Scr. 5/16-24 x .75 Gr. 5
88	736-0242	1	/P	Cupped Washer .340 x .872 x .060
89	712-3050	1	/P	Lug Nut 7/16-14
90	918-04270B	1	/P	Wheel Hub Ass'y
	725-0157	1	/P	Cable Tie (Not Shown)
	926-0154	1	/P	Push Mount Tie (Not Shown)



13AQ62GP897 (2009)
Engine Accessories

Page 8 of 22

Ref #	Part Number	Qty	S/P/F	Description
1	683-04549-0637	1	/P	Muffler Shield
2	710-0227	1	/P	Hex Wash HD AB S-Tapp Scr #8-.50
3	710-04683	1		Hex Wash S-Tapp Scr 3/8-16 x 1.0
4	710-0642	1	/P	Thd Form ing Scr. 1/4-20 x .75 Lg.
5	710-1314A	1	/P	Socket HD Cap Scr. 5/16-18 x .75
6	712-0271	1	/P	Sems Nut 1/4-20
7	721-0377A	1	S	Gasket
9	725-0157	1	/P	Cable Tie
10	726-0205	1	/P	Hose Clamp
11	728-04000	1		Rivot, Pop, .188 x .3
12	936-0300	1	/P	Flat Washer .385 ID x .87 OD x .06
13	751-0564B	1	/P	Muffler Deflector
14	751-10349-54	1	/P	Fuel Hose; Low Permeation, 51" Lg.
15	751-10353	1		Muffler Deflector Long
16	751-10528	1	S	Muffler
17	951-10517A	1	/P	Oil Drain
18	751-3141-14	1	/P	Oil Drain Hose
19	KH-47-237-02	1	S	Clamp
20	KH-24-086-43-S	1		Torx Tap. Screw M5 x 0.8



13AQ62GP897 (2009)
Fender Assembly

Page 10 of 22

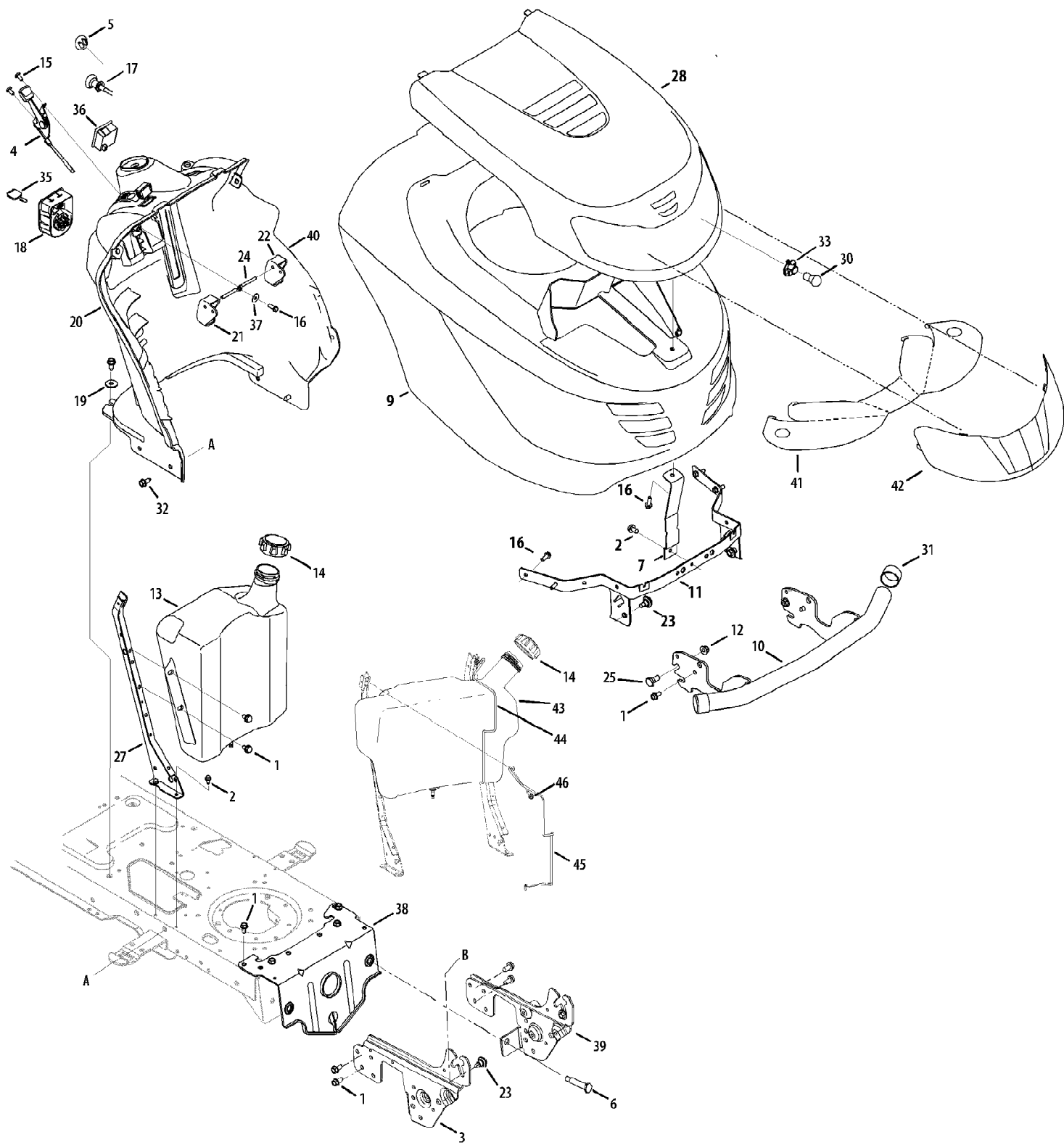
Ref #	Part Number	Qty	S/P/F	Description
1	710-0451	1	/P	Carriage Bolt 5/16 x 18 x .75" Lg.
2	683-04118-0637	1	/P	Lift Shaft Assembly (54" Deck)
3	911-0332	1	/P	Clevis Pin
4	710-04484	1		S-Tapp Scr 5/16-18 x .75
5	712-04065	1	/P	Hex Flange Locknut 3/8-16 Gr. F,Nylon
6	712-04063	1	/P	Hex Flange Locknut 5/16-18 Gr. F Nylon
7	726-3046	1	/P	Clip
8	914-0104	1	/P	Int. Cotter Pin 5/16 Dia.
9	914-04023	1	/P	Internal Cotter Pin .080 x 1.5625
10	716-0106A	1		E-ring
11	720-0311	1		Handle Grip
12	732-0874	1	/P	Torsion Spring
13	732-04563	1		Compression Spring .68 x 1.065 x .055
14	783-06050	1		Seat Adjustment Lever
15	732-04561	1		Compression Spring 1.71 x 3.735 x .238
16	783-06088-0637	1		Seat Pivot Bracket
18	738-0138A	1	/P	Shoulder Scr. .437 Dia x .47
19	938-0380	1	/P	Shoulder Screw .500 x .25 (46"/50")
20	941-0225	1	/P	Hex Flange Bearing .630 ID
22	746-0968	1		Lift Cable, 16.16
23	747-04447	1		Lift Handle
24	756-1154	1		Roller Pulley
25	783-04963A-0637	1		Arm Lift (46" deck w/manual PTO & 50" deck)
26	783-0720C-0637	1	/P	Deck Stabilizer Bracket
28	738-04130	1		Shoulder Screw .625 x .175: 3/8-16
29	710-0895	1		Hex Scr. 1/4-15 x .75
30	731-06795	1		Lift Lever Cover
31	931-2104C	1	/P	Shift Lever Cover w/Cup Holder
32	736-3078	1	/P	Flat Washer .344 ID x 1.0
33	783-0677B-0637	1	/P	Lift Adjustment Bracket
34	783-06246-0606	1		Fender
36	936-0300	1	/P	Flat Washer .406 x .875 x .059
37	783-04494B-0637	1	S	Deck Lift Arm RH (42" Deck)
37	783-04711B-0637	1	S	Deck Lift Arm LH (Not Shown)
38	720-04061	1		Knob, 3/8-16 x .625
39	731-1993A	1		Cover w/Cup Holder
40	731-2619	1		LH Fender Flare
41	731-2618	1		RH Fender Flare
42	712-0271	1	/P	Sems Hex Nut 1/4-20
43	738-04012A	1	/P	Shoulder Spacer .625 x .175, 3/8-16
44	710-04482	1		Hex Flg. Bolt 3/8-16 x.875
62	938-0296	1	/P	Shoulder Bolt .437 Dia. x .268
46	783-06049-0637	1		Seat Mounting Bracket
47	710-0932	1	/P	Carriage Bolt 1/4-20 x 1.00" Lg.
49	757-04090	1		High Back Seat Black
50	735-0656	1		RH Foot Pad
51	735-0657	1		LH Foot Pad
52	914-0111	1	/P	Cotter Pin 3/32 dia. x 1.00 Lg.
53	783-05546-0637	1	S	Arm Lift (46"/54" deck w/Electric PTO)
55	731-05498A	1	/P	Lift Lever Cover (Model 60R)
56	783-04081C-0637	1	/P	Seat Pivot Bracket, Manually Adjusted
57	735-0690	1		Grommet
58	750-3310	1		Spacer 1.25 x .4375 x .625

13AQ62GP897 (2009)
Fender Assembly

Ref #	Part Number	Qty	S/P/F	Description
59	710-0870	1	/P	Hex Wash Hd Scr. 3/8-16 x .625 Gr. 5
	757-04073	1		Arm Rest Kit Not shown

13AQ62GP897 (2009)
Hood & Grille

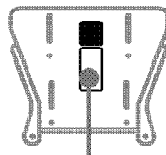
Page 12 of 22



13AQ62GP897 (2009)
Hood & Grille

Page 13 of 22

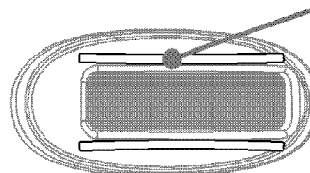
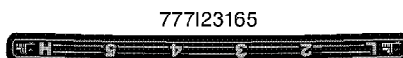
Ref #	Part Number	Qty	S/P/F	Description
1	710-04484	1		S-Tapp Scr 5/16-18 x .75
2	710-0599	1	/P	Hex Wash S-Tapp Scr 1/4-20 x .50
3	783-05328A-0637	1	/P	RH Pivot Support Bracket
4	946-04542	1	/P	Throttle/Choke Cont. Cable 46.5" Lg. (Twin)
5	731-1999	1		Choke Plug
6	738-04128	1		Shoulder Bolt .5 x 2.38, 3/8-16
7	783-06117-0637	1	/P	Hood Support Bracket
9	931-06538	1	/P	Grill Style "G" (w/side fill)
10	683-04219B-0637	1	/P	Bumper Assembly
11	783-04606C-0637	1	/P	Hood Pivot Bracket
12	912-3000	1	/P	Hex Lock-Nut 3/8-16 Gr.B
13	N/A	1		Fuel Tank 3 Gal. Not used in this application
14	751-0603A	1	/P	Cap-Fuel
15	710-1017	1	/P	Torx Mach. AB-Tapp Scr. 1/4-14 x .625 Lg
16	710-0895	1		Hex Tapp Scr 1/4 x .75" Lg.
17	746-1085A	1	S	Choke Cable 37.5" Lg.
18	925-04230B	1	/P	Ignition Switch
19	736-0701	1		Flat Washer
20	931-06621	1	/P	Dash Panel (Elect. PTO w/o fuel level window)
21	731-04214	1		Cruise Control Button
22	731-04213	1		Parking Brake Button
23	738-04091A	1	/P	Shoulder Screw .43 x .29, 5/16-18
24	747-1155	1		Pivot Rod
25	738-0143	1	/P	Shoulder Scr. .498 x .340: 3/8-16
27	783-04285F-0637	1	/P	RH Dash Support Plate
27	783-04323F-0637	1	/P	LH Dash Support Plate (not shown)
28	931-04308	1	/P	Upper "G" Style Hood
30	925-0963	1	/P	Miniature Lamp 12V Socket Type
31	731-05674	1		Bumper Cap
32	710-0726	1	/P	Screw 5/16-12 x .75
33	925-1649	1	/P	Socket
35	925-1745A	1	/P	Ignition Key w/Plastic Cover
35	925-1744	1		Ignition Key w/o Plastic Cover
36	725-04861	1		Wire Harness (w/Hour Meter)
37	936-0142	1	/P	Flat Washer .281 x .50 x .063
38	783-05326-0637	1	/P	Pivot Bar Bracket
39	783-05327B-0637	1	/P	LH Pivot Support Bracket
40	931-06621	1	/P	Dash Panel (Elect. PTO w/o fuel level window)
41	777x43285	1		Reflective Label
42	931-06564	1	/P	Lens (Style G)
43	951-10573	1	/P	Fuel Tank 2.75 Gal.
44	747-05050	1		Tank Support Rod LH
45	747-05049	1		Tank Support Rod RH
46	710-0642	1	/P	Hex TT Screw 1/4-20 x .75



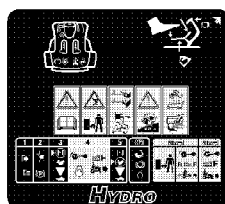
Model Plate

777122679

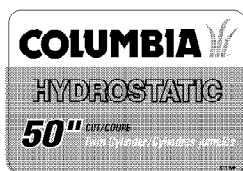
Top Of Engine In
Position Shown
On Correct Engine



777S32545



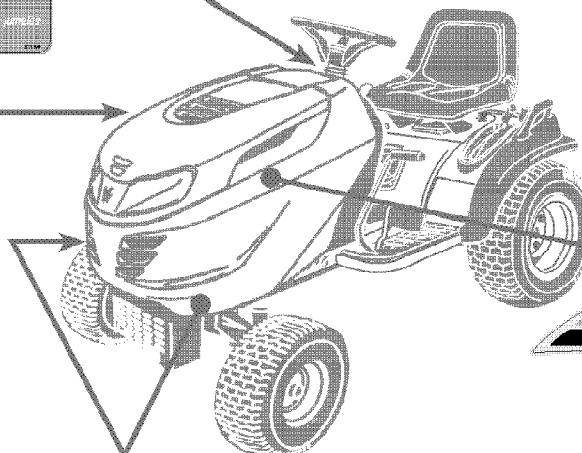
777D11930
Center On Operators
Left Side Of
Fender Front



777X43688
Place on Engine
Near Gas Cap



777120802



777D13467
Place On Right Side Panel
Centered Under Air Vent



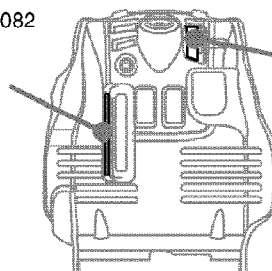
777D13468
Place On Left Side Panel
Centered Under Air Vent



(QTY 2) 777D13475



777123082



777120882



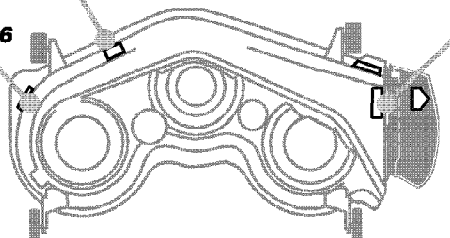
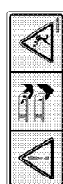
777122265



777S30296
Place Under Chute



777S32356

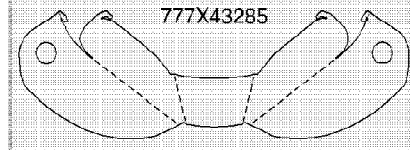


*777S32364
In Mold Graphic
*Reference Only



REFERENCE ONLY ASSEMBLED BY IP

777X43285

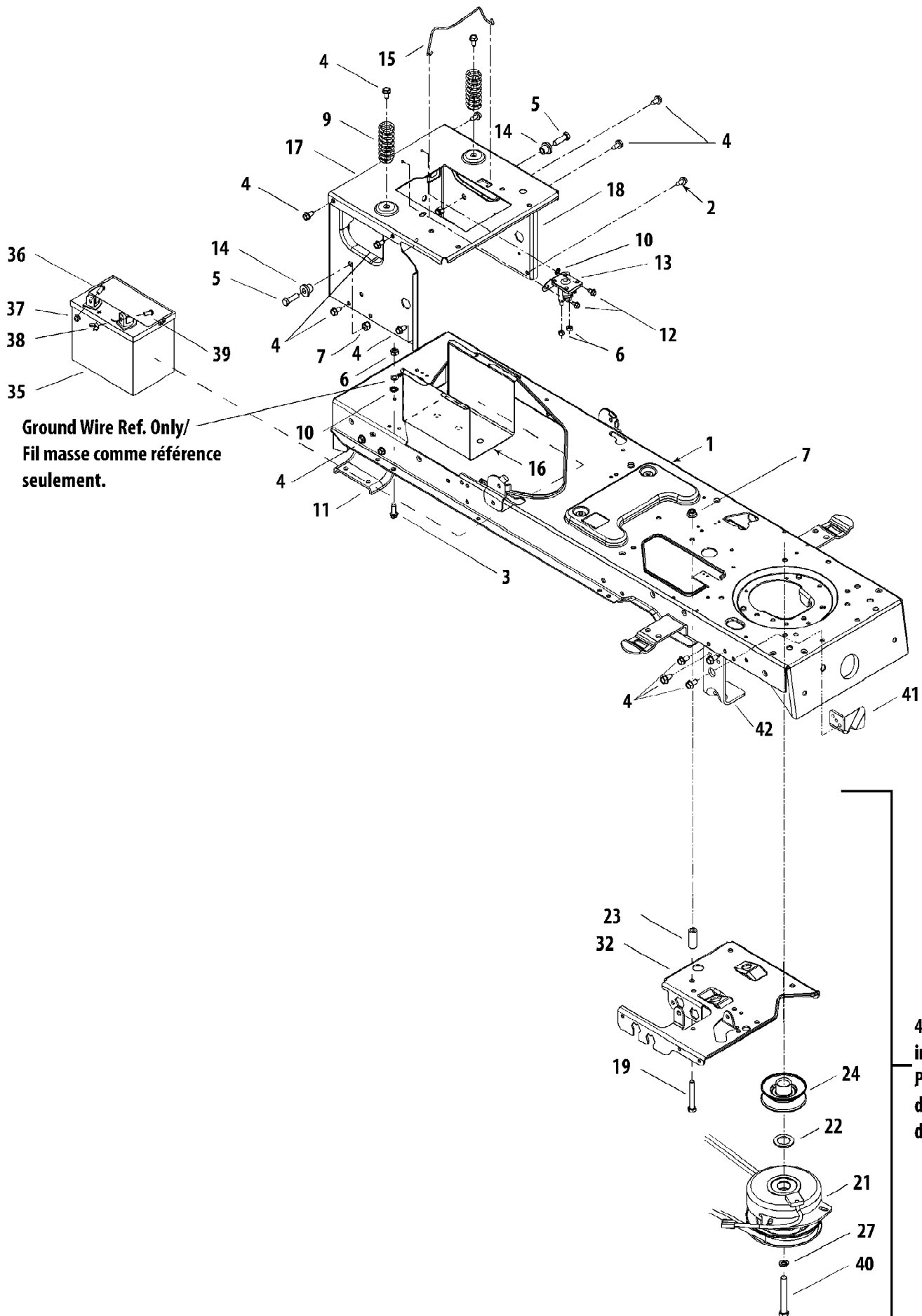


13AQ62GP897 (2009)
Label Map

Page 15 of 22

Ref #	Part Number	Qty	S/P/F	Description
777CD30086	777CD30086	1		LABEL-REAR FENDER COLUMBIA
777D11930	777D11930	1		LABEL-HYD 50" FNDR COLUMBIA
777D13467	777D13467	1		LABEL-RIDER HOOD RH COLUMBIA
777S32356	777S32356	1		LABEL:RIDER SAFETY
777I22265	777I22265	1		LABEL-BELT ROUTE
777S30296	777S30296	1		LABEL:RIDER DECK:
777S32364	N/A	1		LABEL-RIDER SFTY:IN-MOLD CHTE EURO Mold-In Graphic
777D13475	777D13475	1		LABEL-RIDER LWR SD PNL:Q62GP
777X43285	777X43285	1		LABEL-REFLECTOR G STYLE
777I23082	777I23082	1		LABEL-RIDER NX-9 GAS GUAGE
777I20882	777I20882	1		LABEL-DASH THROTTL
777D13468	777D13468	1		LABEL-RIDER HOOD LH COLUMBIA
777X43688	777X43688	1		LABEL-ETHANOL
777I20802	777I20802	1		LABEL-RT-99 HTCHPLT
777I23165	777I23165	1		LABEL-RIDER RT99 DECK HT POD
777S32545	777S32545	1		LABEL-RIDER SAFETY
777I22679	777I22679	1		LABEL-CHECK ENG OIL

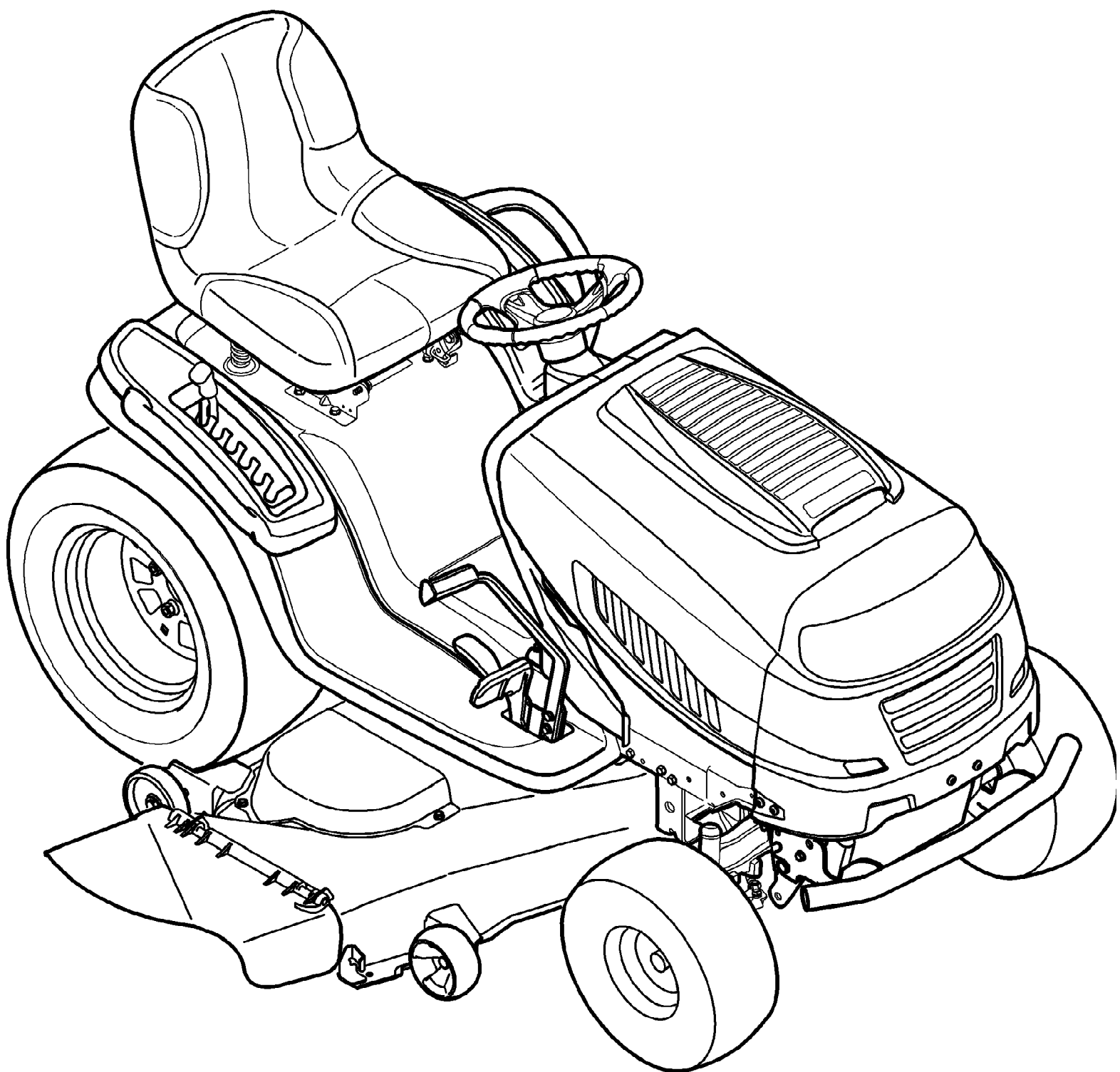
13AQ62GP897 (2009)
PTO Clutch



13AQ62GP897 (2009)
PTO Clutch

Page 17 of 22

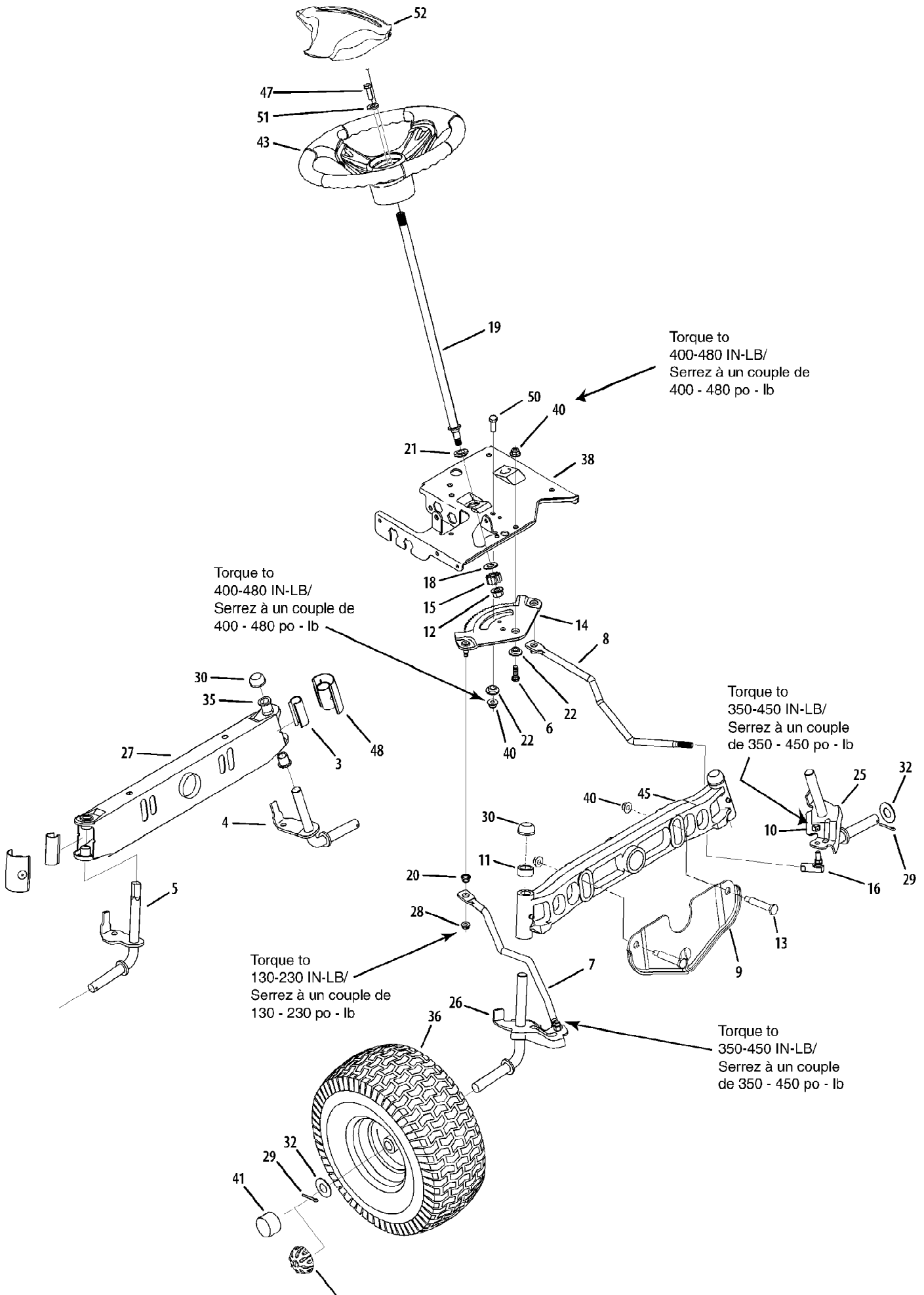
Ref #	Part Number	Qty	S/P/F	Description
1	683-04173B-0606	1		Lower Frame Assembly
2	710-0607	1	/P	Hex Wash HD S-Tapp Scr 5/16-18 x .50
3	710-0642	1	/P	Thd Forming Scr. 1/4-20 x .75 Lg.
4	710-04484	1		S-Tapp Scr 5/16-18 x .75
5	710-3005	1	/P	Hex Bolt 3/8-16 x 1.25
6	712-04064	1	/P	Hex L-Flanged Nut 1/4-20 Gr. F Ny Ion
7	712-04065	1	/P	Flange Lock-Nut 3/8-16 Gr. F Ny Ion
9	732-04035	1		Compression Spring 1.28 x 3.125
10	936-0222	1	/P	Ext. L-Washer 1/4 ID
11	783-0693-0637	1		Axle Bracket
12	710-0599	1	/P	Hex Wash S-Tapp Scr 1/4-20 x .50
13	725-04439	1		Solenoid
14	738-04058	1		Shoulder Spacer .38 x 1.0 x .70
15	747-04121A	1		Battery Retainer Rod
16	783-0349-0637	1		Battery Tray
17	783-04329A-0637	1	/P	Frame Seat Bracket
18	783-04809C-0637	1	/P	Upper Frame (600)
19	710-3011	1	/P	Hex Cap Screw, 3/8-16 x 2.25 Gr. 5
21	917-04174A	1	/P	Electric PTO Clutch 46 & 50" Deck
22	736-0277	1		Flat Washer 1.03 ID x 1.64 OD x .095
23	748-0415B	1	/P	Spacer .385 ID x .635 OD x 1.54
24	756-0978B	1	/P	Engine Pulley (w/Hydrostatic Models)
27	936-0171	1	/P	Lockwasher 7/16 ID
32	783-04612-0637	1	/P	Steering Support Bracket
35	925-1707D	1	/P	Battery 245 CCA (Dry)
36	710-04666	1		Hex Flg. Bolt 1/4-10 x .75 Gr. 5
37	712-0271	1	/P	Sems Hex Nut 1/4-20
38	712-3087	1	/P	Wing Nut 1/4-20 Thd.
39	738-1132	1		Shoulder Screw, 1/4-20
40	710-04379A	1		Hex Hd. Cap Scr. 7/16-20 x 3.5
41	783-04419B-0637	1	/P	Bracket Clutch (w/ 54" Deck)
42	783-04467-0637	1	/P	Bracket - Deck Stop (w/54" Deck)



13AQ62GP897 (2009)
Quick Reference

Page 19 of 22

Ref #	Part Number	Qty	S/P/F	Description
	759-3336	1	/P	Spark Plug
	KH-32-883-03-S1	1	/P	Oil Filter
	KH-32-883-03-S1	1	/P	Pre Filter
	KH-12-050-01-S	1	/P	Air Filter
	KH-25-050-22-S1	1	/P	Fuel Filter
	751-0603A	1	/P	Fuel Cap
	725-04439	1		Solenoid
	918-04126A	1	S	Deck Spindles
	942-04053C	1	/P	Blades
	712-0417A	1	/P	Blade Nuts
	734-04155	1		Deck Wheels
	923-0448A	1	/P	Ball Joints
	925-1745A	1	/P	Ignition Keys
	946-04542	1	/P	Throttle/Choke Cont. Cable
	746-1085A	1	S	Choke Cable 37.5" Lg.
	746-0968	1		Lift Cable, 16.16
	N/A	1		Upper Drive Belt
	954-04165	1	/P	Lower Drive Belt
	954-04164	1	/P	Deck Spindle Belt
	N/A	1		PTO Belt
	925-04039	1	/P	Safety Switch - Brake
	925-04039	1	/P	Safety Switch - Deck
	631-04092B	1	/P	Discharge Chute
	731-04651	1		Mulch Plug
	925-1707D	1	/P	Battery



13AQ62GP897 (2009)
Steering

Page 21 of 22

Ref #	Part Number	Qty	S/P/F	Description
1	683-04173B-0606	1		Lower Frame Assembly
3	731-04057A	1		Axle End Cap - Std.
4	938-04006A-0637	1	/P	LH Axle Assembly, .750 Dia. (42" Deck) Use with Steel Pivot Bar
5	938-04005A-0637	1	/P	RH Axle Assembly, 750 Dia. (42" Deck) Use with Steel Pivot Bar
6	710-04095	1		Hex Cap Screw 3/8-16 x 1.00 Gr. 5 Spec.
7	711-1408	1		RH Drag Link
8	711-1409A	1	/P	LH Drag Link
9	783-04568-0637	1		Front Deck Hanger Brkt. (Style 6)
10	912-0214	1	/P	Hex Cent. L-Nut 3/8-24
11	748-04068	1		Spacer .71 ID x .125 OD x .56" Lg.
12	712-0459	1	/P	Flange Lock Nut, 7/16-20
13	738-04128	1		Shoulder Bolt .50 x 2.38: 3/8-16
14	917-1550E	1	S	Steering Gear, 11/90 Ra tio
15	717-1554	1		Steering Pinion Gear
16	923-0448A	1	/P	Ball Joint, 7/16 - 20
18	736-3084	1	/P	Fl. Washer .510 x 1.120 x .060
19	738-04263	1		Steering Shaft, .625 OD x 24.25
20	941-0475	1	/P	Plastic Bushing .380 ID
21	741-04237B	1	/P	Hex Flange Bearing, 5/8
22	738-04154	1		Shoulder Spacer
25	638-04003AP	1	/P	LH Axle Assembly, .750 Dia. (46" deck) Use with Cast Iron Pivot Bar
25	938-04006A-0637	1	/P	LH Axle Assembly, .750 Dia. (42" deck) Use with Cast Iron Pivot Bar
26	938-04004A	1	/P	RH Axle Assembly, .750 Dia. (46" deck) Use with Cast Iron Pivot Bar
26	938-04005A-0637	1	/P	RH Axle Assembly, .750 Dia. (42" deck) Use with Cast Iron Pivot Bar
27	683-0128B-0637	1	/P	Pivot Bar
28	712-3004A	1	/P	Hex Flange L-Nut 5/16-18 Gr. 5
29	714-04039	1		Cotter Pin 5/32" Dia. x 1.25
29	714-0162	1	/P	Cotter Pin 5/32" Dia. x 1.25
30	726-0341	1	/P	Push Cap, .750
32	936-0316	1	/P	Flat Washer .780 ID X 1.56 OD
32	736-04228A	1		Flat Washer .781 ID x 1.90 OD
35	741-0660A	1	/P	Flange Bearing .760 ID x .937 OD
36	N/A	1		Wheel Assembly
36	734-1731-0901	1	/P	Tire Only Not shown
36	934-04104A-0662	1		Rim Only Not shown
36	934-0255	1	/P	Valve Not shown
36	941-04137	1	/P	Ball Bearing Not shown
37	731-2290A	1	/P	Hub Cap
38	783-04612-0637	1	/P	Steering Support Bracket
40	712-04065	1	/P	Hex Flange L-Nut 3/8-16 Gr. F
41	731-05674	1		Cap
43	631-04028	1		Steering Wheel - 3 Spokes Std. Grip
43	631-04008A	1	/P	Steering Wheel - 3 Spokes Soft Grip
45	719-04177A	1		Steering Support Bracket (.750 dia.)

13AQ62GP897 (2009)
Steering

Page 22 of 22

Ref #	Part Number	Qty	S/P/F	Description
47	710-0643	1	/P	Hex Screw 5/16-18 X 1.00 Spe cial
48	931-1291A	1	/P	Pivot Bar End Cap
50	710-0514	1	/P	Hex Screw 3/16 x 1.00
51	936-3004	1	/P	Flat Washer .406 ID x .875 OD x .105
52	731-04065A	1		Steering Wheel Cover - MTD