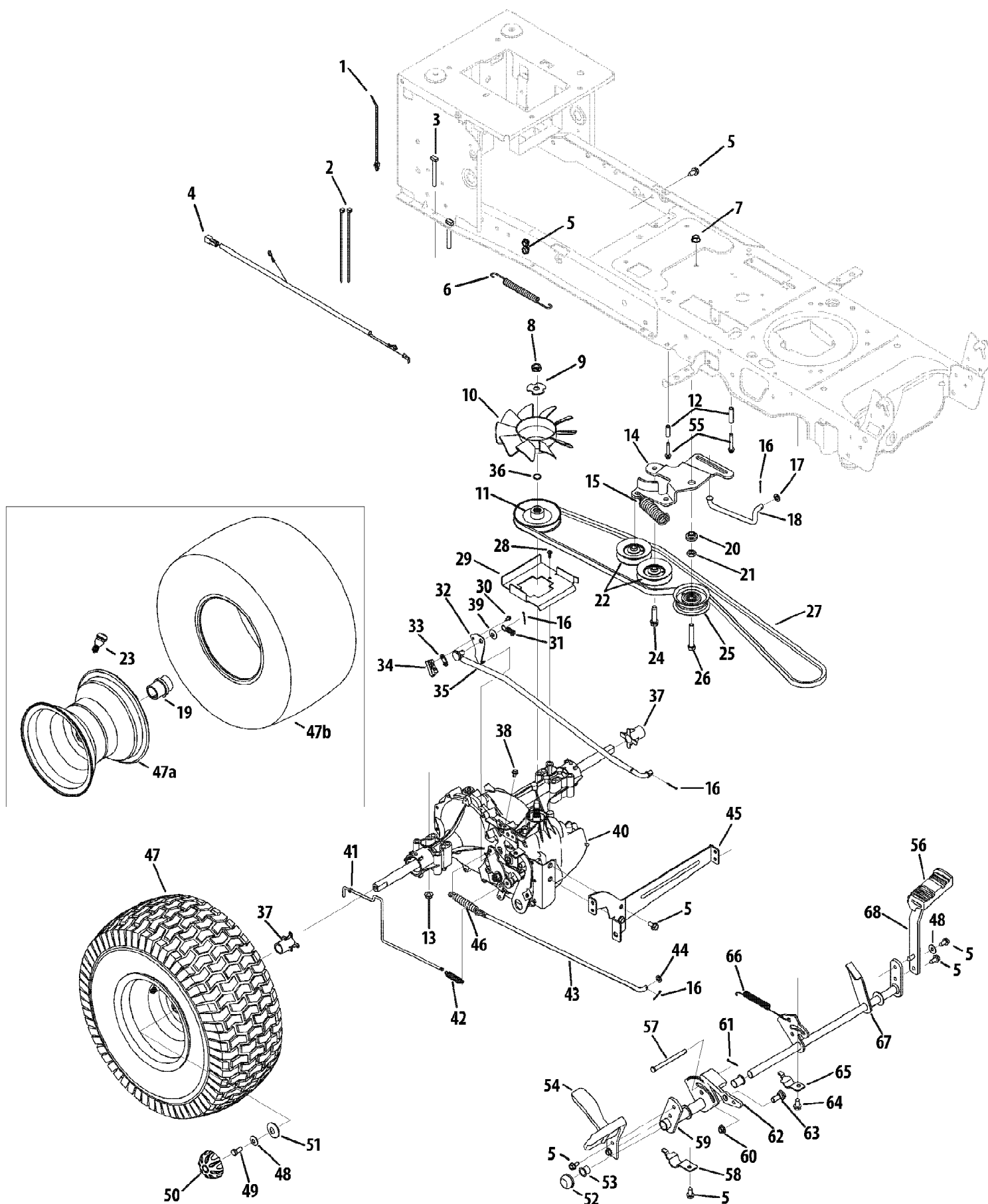


13AP91GS897 (2010)
Drive Assembly



13AP91GS897 (2010)
Drive Assembly

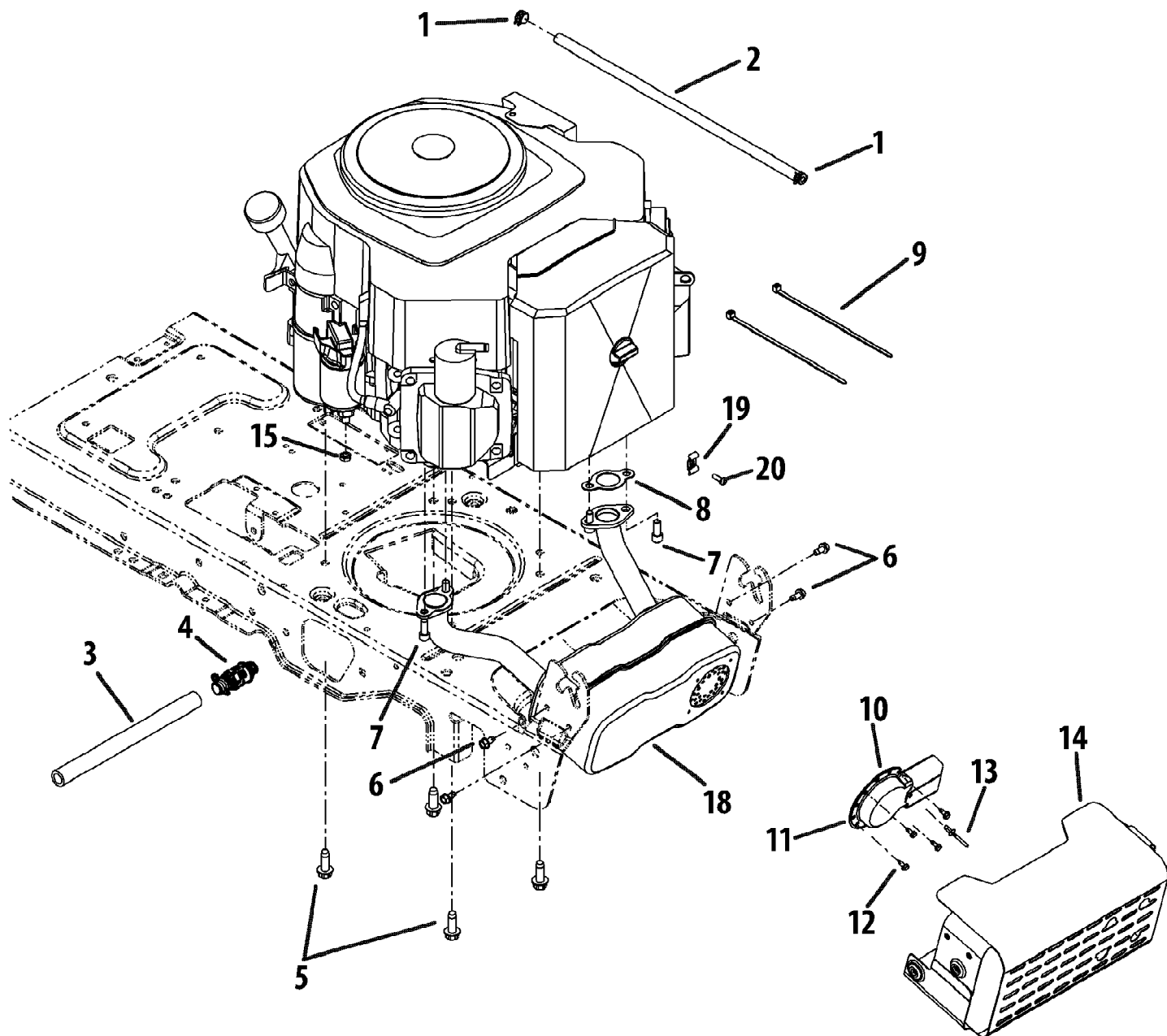
Page 2 of 18

Ref #	Part Number	Qty	S/P/F	Description
1	926-0154	1	/P	Cable Tie, 7.5
2	725-0157	1	/P	Cable Tie, 3/16 x .05 x 7.4
3	710-0176	1	/P	Hex Bolt 5/16-18 x 2.75
4	725-04791A	1		Jumper Harness
5	710-04484	1		S-Tapp Scr 5/16-18 x .75
6	732-04606	1		Extension Spring .50 dia. x 12.6
7	912-0431	1	/P	Flange Locknut 3/8-16 Gr. F
8	912-0346	1	/P	Jam Locknut 1/2-10
9	736-04263	1		Lockwasher
10	731-06098	1		Hydro Fan
11	756-04308	1		Input Pulley
12	750-04456	1		Spacer, .260 x .372 x 1.420
13	712-04063	1	/P	Flange Locknut 5/16-18 Gr. F, Nylon
14	783-06027A	1		Idler Bracket
15	732-04624	1		Extension Spring .59 x 4.0
16	914-0111	1	/P	Cotter Pin 3/32 dia x 1.00 Lg.
17	936-0264	1	/P	Flat Washer .330 x .630 x .0635
18	747-04957A	1		Pedal Transmission Bypass Rod
19	941-0490	1	/P	Axle Hub
20	738-04420	1		Shoulder Spacer 1.375 x .38 x .183
21	912-0240	1	/P	Hex Jam Nut 7/16-20
22	756-04325	1	/P	Idler Pulley
23	934-0255	1	/P	Air Valve
24	710-1007	1	/P	Hex L-Wash HD Scr 3/8-16 x 1.5
25	756-04224	1	/P	Idler Pulley, Flat 2.75 OD
26	710-3011	1	/P	Hex Bolt 3/8-16 x 2.25" Lg.
27	954-04207	1	/P	V-Belt
28	710-0351	1	/P	Truss Mach B-Tapp Scr #10 X .50
29	783-06260-0637	1		Belt Disengage Support Bracket
30	710-0227	1	/P	Hex Washer Screw #8-18 x .50
31	732-3118	1		Extension Spring 3/8 x 1.44
32	783-1019B	1	/P	Switch Actuator Bracket
33	926-0320	1	/P	Insulator Nut Plate
34	725-1644	1		Short Spring Switch
35	747-04979	1		Hydro Control Rod
36	732-0729	1	/P	Wire Ring
37	731-05299A	1		Sleeve 0.765 x 1.5
38	710-0653	1	/P	Hex Wash HD Tapp Scr 1/4-20 x .375
39	736-3010	1		Flat Washer .406 ID x .812 OD x .134
40	918-0319	1	/P	Hydro Transmission
41	747-04991	1		Hydro Bypass Rod
42	932-0209	1	/P	Extension Spring .47 OD x 2.03 Lg.
43	747-04139	1		Brake Rod
44	936-3008	1	/P	Flat Washer .312 ID x .75 OD
45	783-06133-0637	1		Hydro Mount Bracket
46	732-0716D	1	/P	Extension Spring .59 x 4.0
47	634-0104-0911	1	/P	Wheel Ass'y Comp. 20 x 8 x 8
47a	634-04369-0662	1		Rim Only (20")
47b	734-1730-0901	1	/P	Tire Only (20")
48	736-0242	1	/P	Cupped Washer .345 ID x .88 OD x .060
49	710-0627	1	/P	Hex L-Bolt 5/16-24 x .75 Gr. 5
50	731-2290A	1	/P	Hub Cap
51	736-0430	1	/P	Flat Washer .350 x 1.59 x .062

13AP91GS897 (2010)
Drive Assembly

Page 3 of 18

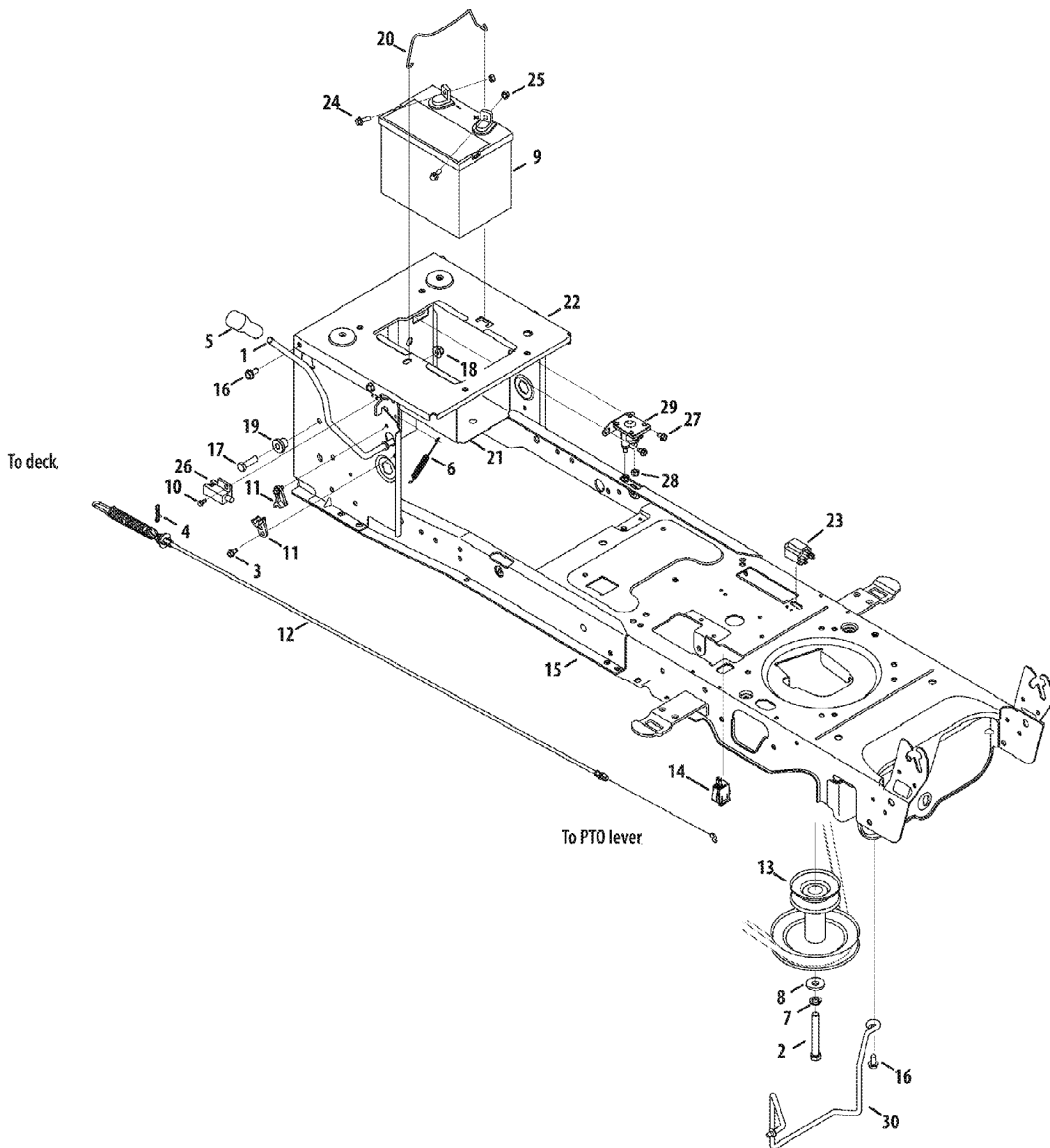
Ref #	Part Number	Qty	S/P/F	Description
52	726-0214	1	/P	Push Cap 5/8" Dia Rod
53	741-0495	1	/P	Nyliner Flanged Brg.
54	719-0584B-0637	1	/P	Control Pedal
55	710-1325	1	/P	Hex Washer Hd. TT Screw 1/4-20 x 1.625
56	735-04136	1		Brake Pedal Pad
57	711-05068	1		Clevis Pin 5/16 x 3.985
58	783-05914	1		Transmission Rod Support Strap
59	683-04537	1		Hydro Pedal Brkt. Assembly
60	712-04065	1	/P	Flange Lock-Nut 3/8-16 Gr. F Nylon
61	714-04040	1		Bow-Tie Cotter Pin
62	748-04203	1		Cruise Latch
63	938-0380	1	/P	Shoulder Screw .500 x .25
64	710-0604A	1	/P	Self-tapping Screw 5/16-18 x .625
65	783-05940	1		Brake Shaft Support Strap
66	732-04587	1		Extension Spring .63 x 4.95
67	647-04152A	1		Brake Control Assembly
68	783-06103A-0637	1		Brake Pedal Bracket



13AP91GS897 (2010)
 Engine Accessories Kohler Twin

Page 5 of 18

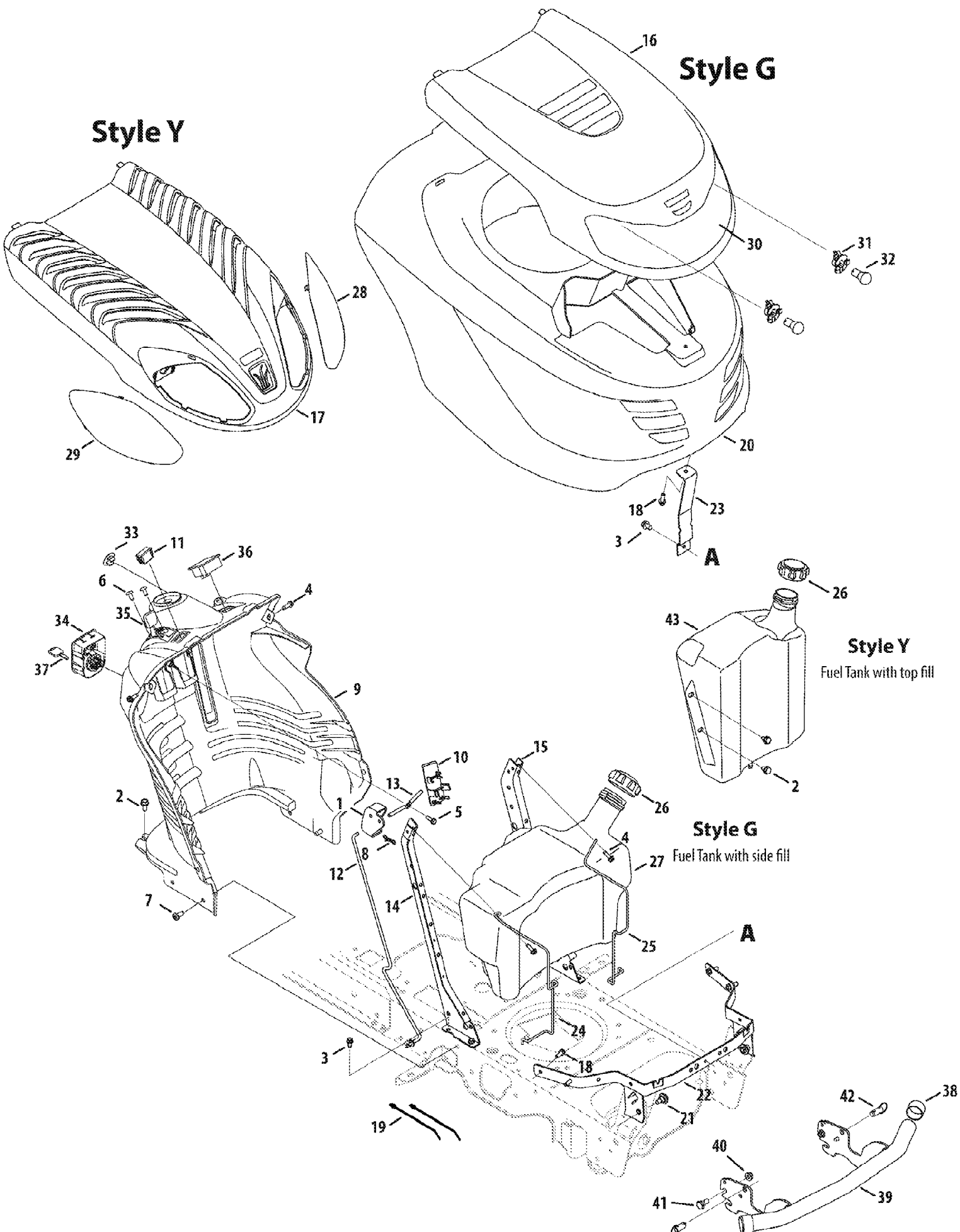
Ref #	Part Number	Qty	S/P/F	Description
1	726-0205	1	/P	Hose Clamp
2	751-10349-28	1	/P	Fuel Line
3	751-3141-14	1	/P	Oil Drain Hose
4	951-10517A	1	/P	Oil Drain
5	710-04683	1		TT Screw 3/8-16 x 1.00
6	710-0599	1	/P	Hex Wash S-Tapp Scr 1/4-20 x .50
7	710-1314A	1	/P	Scr. 5/16-18 x .75
8	721-0377A	1	S	Exhaust Gasket
9	725-0157	1	/P	Cable Tie
10	751-0564B	1	/P	Muffler Deflector
11	751-10353	1		Long Muffler Deflector
12	710-0227	1	/P	Hex AB Scr #8-18 x .50
13	728-04000	1		Pop Rivet
14	683-04549-0637	1	/P	Muffler Shield Assembly
18	751-10528A	1	/P	Muffler
19	751K4723702	1	/P	Dual Conduit Clamp
20	KH-24-086-43-S	1		Tap Screw, M5 x .8



13AP91GS897 (2010)
Frame & Manual PTO

Page 7 of 18

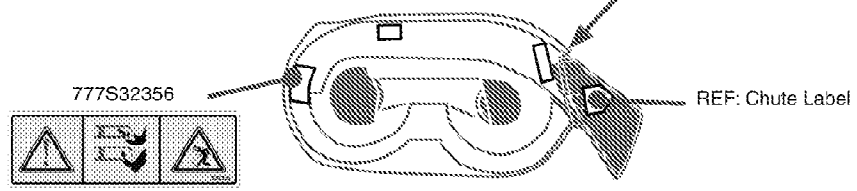
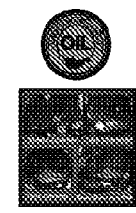
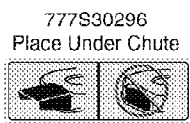
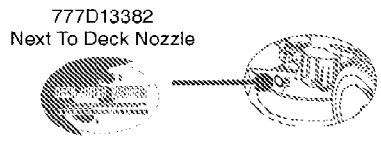
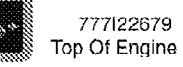
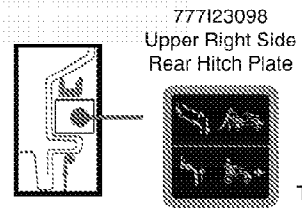
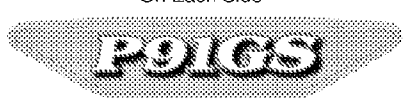
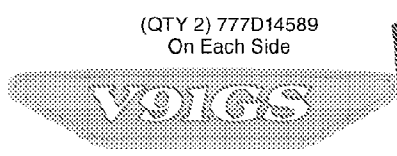
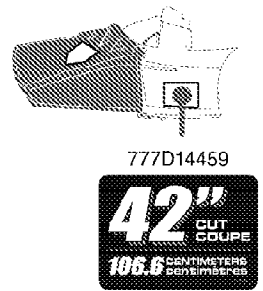
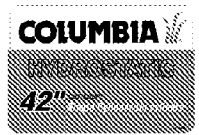
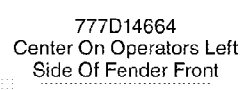
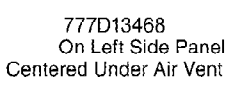
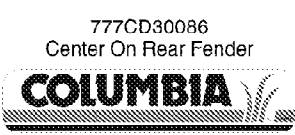
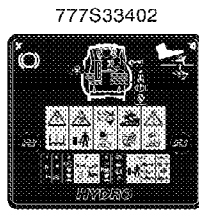
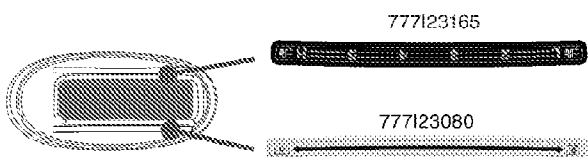
Ref #	Part Number	Qty	S/P/F	Description
1	647-04151	1		Handle Ass'y , PTO
2	710-04876	1		Hex Screw 7/16-20 x 3.5 Gr. 5
3	710-0599	1	/P	Hex Wash S-Tapp Scr 1/4-20 x .50
4	714-04040	1		Bow-Tie Cotter Pin
5	720-04049A	1	/P	Handle Grip 3/8
6	732-0932	1		Extension Spring .38 Dia. x 5.6
7	936-0171	1	/P	Lockwasher 7/16 ID
8	736-0322	1	/P	Flat Washer .450 x 1.25 x .164
9	925-1707D	1	/P	Battery 245 CCA (Dry)
10	738-04237A	1		Shoulder Screw #10-32 x .50
11	741-04119A	1	/P	Bearin, PTO
12	946-04618	1	/P	Deck Engagement Cable
13	756-04196A	1	/P	Engine Pulley 3.39 x 6.12 Dia.
14	725-04807	1		Switch, Plunger, snap mount
15	683-04469A-0606	1		Lower Frame Ass'y
16	710-04484	1		Hex Wash Hd. Tapp Scr. 5/16-18 x .75
17	710-3005	1	/P	Hex Bolt 3/8-16 x 1.25
18	712-04065	1	/P	Flange Lock-Nut 3/8-16 Gr. F Nylon
19	738-04058	1		Shoulder Spacer .38 x 1.0 x .70
20	747-04121A	1		Battery Retainer Rod
21	783-0349-0637	1		Battery Tray
22	783-06089-0606	1		Seat Frame Bracket
23	725-04232	1		Switch, 3-Pole, (NC-NO-NO)-Brake
24	710-04666	1		Hex Hd. Flg. Scr. 1/4-20 x .75 Gr. 5
25	712-0271	1	/P	Sems Hex Nut 1/4-20
26	725-04363	1		Switch, Interlock
27	710-0653	1	/P	Hex Wash HD Tapp Scr 1/4-20 x .375
28	712-04064	1	/P	Hex L-Flanged Nut 1/4-20 Gr. F Nylon
29	725-04439	1		Solenoid
30	747-05171	1		Belt Keeper Rod



13AP91GS897 (2010)
Hood & Grille

Page 9 of 18

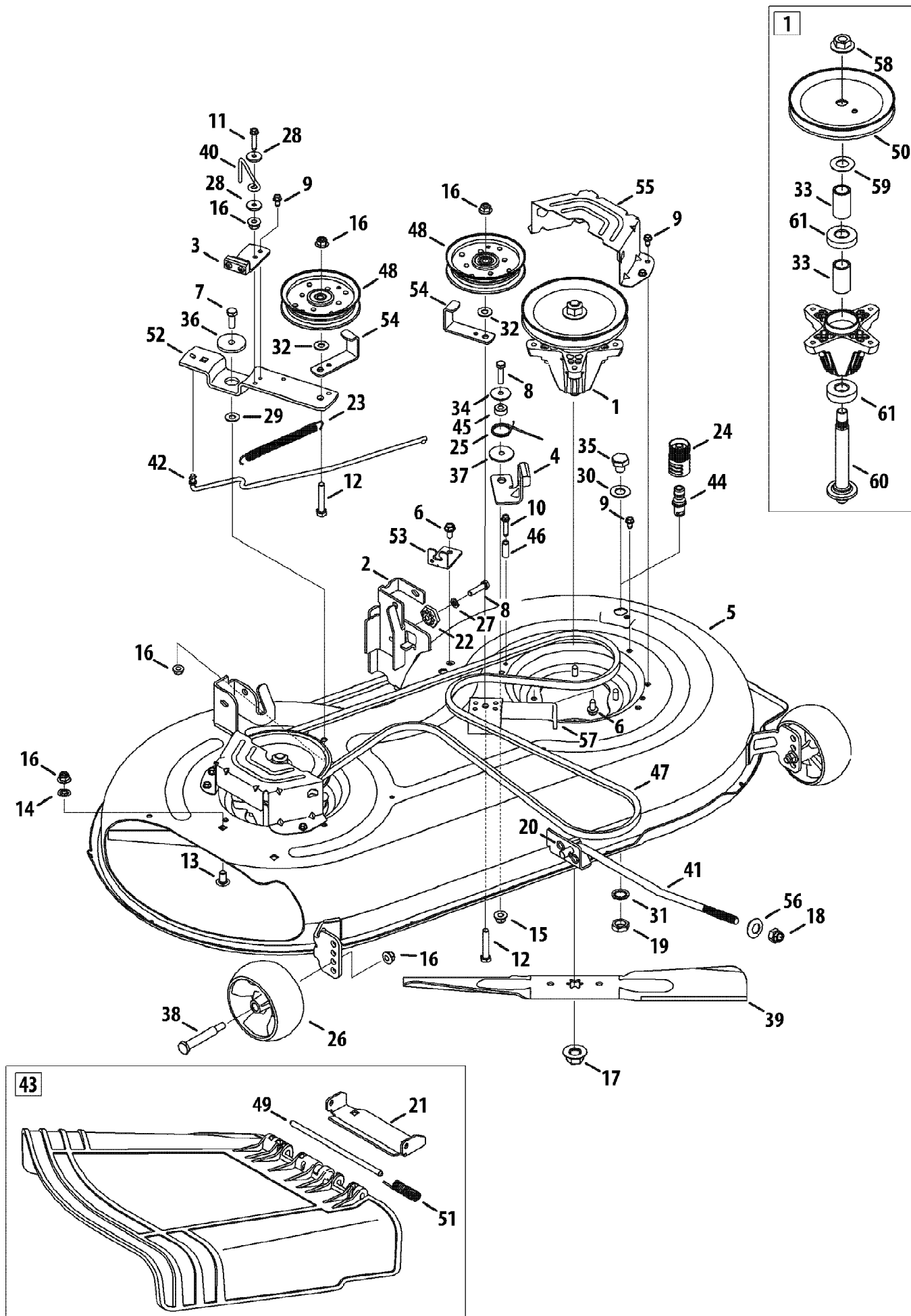
Ref #	Part Number	Qty	S/P/F	Description
1	631-04353P	1	/P	Dash Lever
2	710-04484	1		S-Tapp Scr 5/16-18 x .75
3	710-0599	1	/P	Hex Wash S-Tapp Scr 1/4-20 x .50
4	710-0642	1	/P	Hex TT Screw 1/4-20 x .75
5	710-0895	1		Hex Tapp Scr 1/4 x .75" Lg.
6	710-1017	1	/P	Torx Mach. AB-Tapp Scr. 1/4-14 x .625 Lg
7	710-1611B	1	/P	Screw 5/16-18 x .75
8	714-04040	1		Bow-Tie Cotter Pin
9	931-06495	1	/P	Dash Panel (Man. PTO w/fuel level window)
10	731-06643	1		Cruise Cover Y/G Style
11	731-07042	1		Light Switch Cap
12	747-05008B	1		Latch Control Rod
13	747-1155	1		Pivot Rod
14	783-04285F-0637	1	/P	RH Dash Support Plate
15	783-04323F-0637	1	/P	LH Dash Support Plate
16	931-04308	1	/P	Upper "G" Style Hood
17	N/A	1		Upper "Y" Style Hood Not Used in this application
18	710-05108	1		Screw, Bos, 1/4 Dia. x .75
19	926-0154	1	/P	Cable Tie
20	931-06538	1	/P	G Style Hood (w/side fill fuel tank)
21	738-04091A	1	/P	Shoulder Screw .43 x .29, 5/16-18
22	783-04606C-0637	1	/P	Hood Pivot Bracket
23	783-06117-0637	1	/P	Hood Support Bracket
24	747-05049	1		Tank Support Rod RH
25	747-05050	1		Tank Support Rod LH
26	751-0603A	1	/P	Cap-Fuel
27	951-10573	1	/P	Fuel Tank 2.75 Gal. (side fill)
28	N/A	1		Lens LH - Style "Y" Not Used in this application
29	N/A	1		Lens RH - Style "Y" Not Used in this application
30	931-06564	1	/P	Lens (Style G)
30	777X43285	1		Reflector Label
31	925-1649	1	/P	Socket
32	925-0963	1	/P	Miniature Lamp 12V Socket Type
33	731-1999	1		Choke Plug
34	925-04230B	1	/P	Key Switch Module
35	746-04364	1		Throttle/Choke Cont. Cable 25" Lg.
36	925-04036C	1	/P	Am Meter
37	925-1745A	1	/P	Ignition Key w/Plastic Cover
38	731-05674	1		Bumper Cap
39	683-04219B-0637	1	/P	Bumper Assembly
40	912-3000	1	/P	Hex Lock-Nut 3/8-16 Gr.B
41	738-0143	1	/P	Shoulder Scr. .498 x .340: 3/8-16
42	714-04061	1		Quick Pin 1/2" dia. x 0.50
43	N/A	1		Fuel Tank Not Used in this application
	925-04105	1	/P	Harness (Man PTO/RMC/Hr. Meter) Not shown



13AP91GS897 (2010)
Label Map 42-Inch

Page 11 of 18

Ref #	Part Number	Qty	S/P/F	Description
777X43285	777X43285	1		LABEL-REFLECTOR G STYLE
777CD30086	777CD30086	1		LABEL-REAR FENDER COLUMBIA
777D13468	777D13468	1		LABEL-RIDER HOOD LH COLUMBIA
777D13467	777D13467	1		LABEL-RIDER HOOD RH COLUMBIA
777D14589	777D14589	1		LABEL-RDR:COLUMBIA V91GS 13AV91GS897
777D14590	777D14590	1		LABEL-RDR:COLUMBIA P91GS 13AP91GS897
777D14459	777D14459	1		LABEL-RIDER DECK 42"
777D13382	777D13382	1		LABEL-DECK WASH
777S32356	777S32356	1		LABEL-RIDER SAFETY
777S30296	777S30296	1		LABEL-RIDER DECK:
777I23082	777I23082	1		LABEL-RIDER NX-9 GAS GUAGE
777I20882	777I20882	1		LABEL-DASH THROTTLE
777I22679	777I22679	1		LABEL-CHECK ENG OIL
777I23098	777I23098	1		LABEL-HYDRO RELEASE
777D14664	777D14664	1		LABEL-RDR:CLMBIA 42 SNGL RNG BRD 13AV91GS897
777D11929	777D11929	1		LABEL-HYD 42" FNDR COLUMBIA 13AP91GS897
777S33402	777S33402	1		LABEL-RDR:NX9 HYDRO OCR CHK
777I23080	777I23080	1		LABEL-RIDER PTO POD EXPORT
777I23165	777I23165	1		LABEL-RIDER RT99 DECK HT POD



13AP91GS897 (2010)
Mower Deck 42

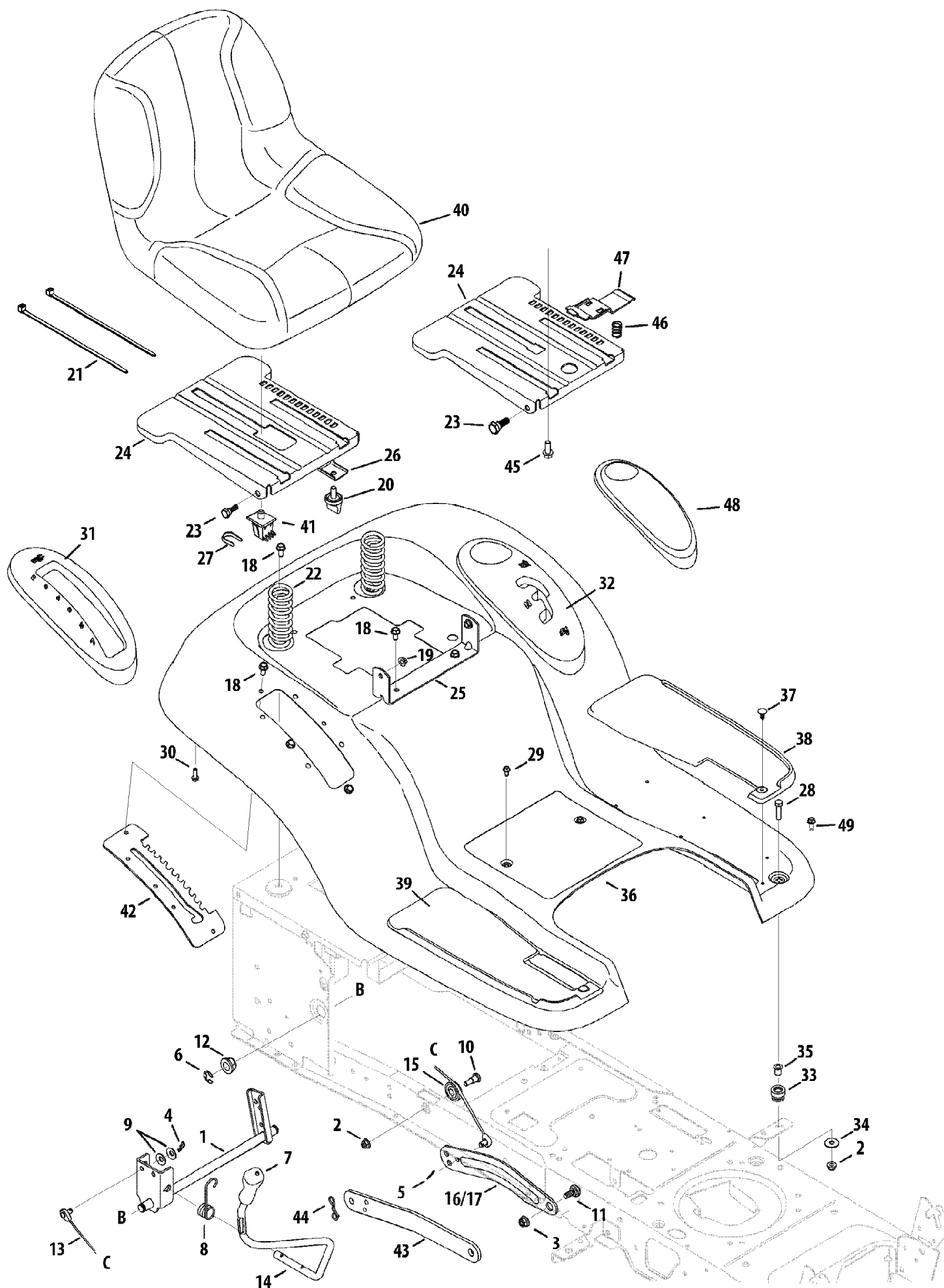
Page 13 of 18

Ref #	Part Number	Qty	S/P/F	Description
1	918-04822A	1	/P	Pulley Spindle Ass'y 6.3 dia.
2	683-0254B-0606	1		Deck Hanger Bracket Ass'y LH
3	983-04511	1	/P	Deck Brake Assembly
4	983-04525	1	/P	Deck Brake Assembly
5	983-04572-0606	1	/P	Deck Assembly, 42" w/ deck wheels
6	710-04484	1		S-Tapp Scr 5/16-18 x .75
7	710-0514	1	/P	Hex. Hd. Cap Scr. 3/8-16 x 1.0 Gr. 5
8	710-0528	1	/P	Hex Wash Tap Scr 5/16-18 x 1.25
9	710-0599	1	/P	Hex Wash S-Tapp Scr 1/4-20 x .50
10	710-0778	1	/P	Hex Wash HD Bolt 1/4-20 x 1.50" Lg.
11	710-0809	1		Hex Bolt 1/4-20 x 1.25
12	710-3144	1	/P	Hex. Hd. Cap Scr. 3/8-16 x 2.0 Gr. 5
13	710-3178	1	/P	Carriage Bolt 3/8-16 x .75 Gr. 1
14	712-0229	1		Push Nut, 3/8
15	712-04063	1	/P	Hex Flange Locknut 5/16-18 Gr. F, Nylon
16	712-04065	1	/P	Hex Flange Locknut 3/8-16 Gr. F Nylon
17	712-0417A	1	/P	Hex Flange Locknut 5/8-18
18	712-04243	1		Hex Locknut 1/2-13
19	912-0641	1	/P	Hex Nut M16-1.5 DIN 936
20	714-04043	1		Bow Tie Cotter Pin
21	783-06074A	1		Chute Bracket
22	917-04074	1	/P	Deck Gear Adjuster
23	932-0384	1	/P	Extension Spring .62 dia. x 6.12 Lg.
24	921-04041	1	/P	Water Nozzle Adapter
25	732-04727	1		Torsion Spring .992 ID x 1.17 OD
26	734-04155	1		Deck Wheel 5.0 Dia.
27	936-0119	1	/P	L-Wash 5/16 ID
28	936-0176	1	/P	Flat Washer .265 ID x .938 OD x .120
29	936-0344	1	/P	Flat Washer .385 ID x 1.0 OD x .030
30	736-0187	1	/P	Flat Washer .640 ID x 1.24 OD x .06
31	736-0225	1	/P	L-Washer Internal
32	736-0262	1	/P	Flat Washer .385 ID x .870 OD x .092
33	750-04936	1		Spacer .792 x 1.060 x 1.860
34	736-0362	1	/P	Flat Washer .330 ID x 1.25 OD x .06
35	738-04146	1		Screw Plug M16 x 1.50
36	738-04162A	1	/P	Shoulder Spacer .8540 x .200
37	738-04166	1		Shoulder Spacer .50 Dia x .1475
38	938-3056	1	/P	Shoulder Bolt .496 x 2.5, 3/8-16
39	942-04308	1	/P	Blade, 21.23", 2-in-1
40	747-04530	1		Belt Keeper Rod
41	747-04944B	1	/P	Front Lift Deck Rod
42	747-05105	1		Brake Control Rod
43	631-04349	1		Side Discharge Chute Assembly
44	737-04003D	1	/P	Deck Water Nozzle
45	750-0258	1	/P	Spacer .315 x .750 x .375" Lg.
46	750-0566A	1	/P	Spacer .260 x .375 x 1.030 Lg.
47	954-04060B	1	/P	V-Belt
48	756-04129B	1	/P	Idler Pulley w/Flange 4.25 Dia
49	711-04847A	1	S	Hinge Pin .3125 diam. x 7.96" Lg.
50	956-1227	1	/P	Deck Pulley 6.3 dia.
51	732-04372	1		Torsion Spring .44 ID x 2.0
52	783-05946	1		Idler Pivot Bracket
53	783-06243-0637	1		Deck Engagement Bracket

13AP91GS897 (2010)
Mower Deck 42

Page 14 of 18

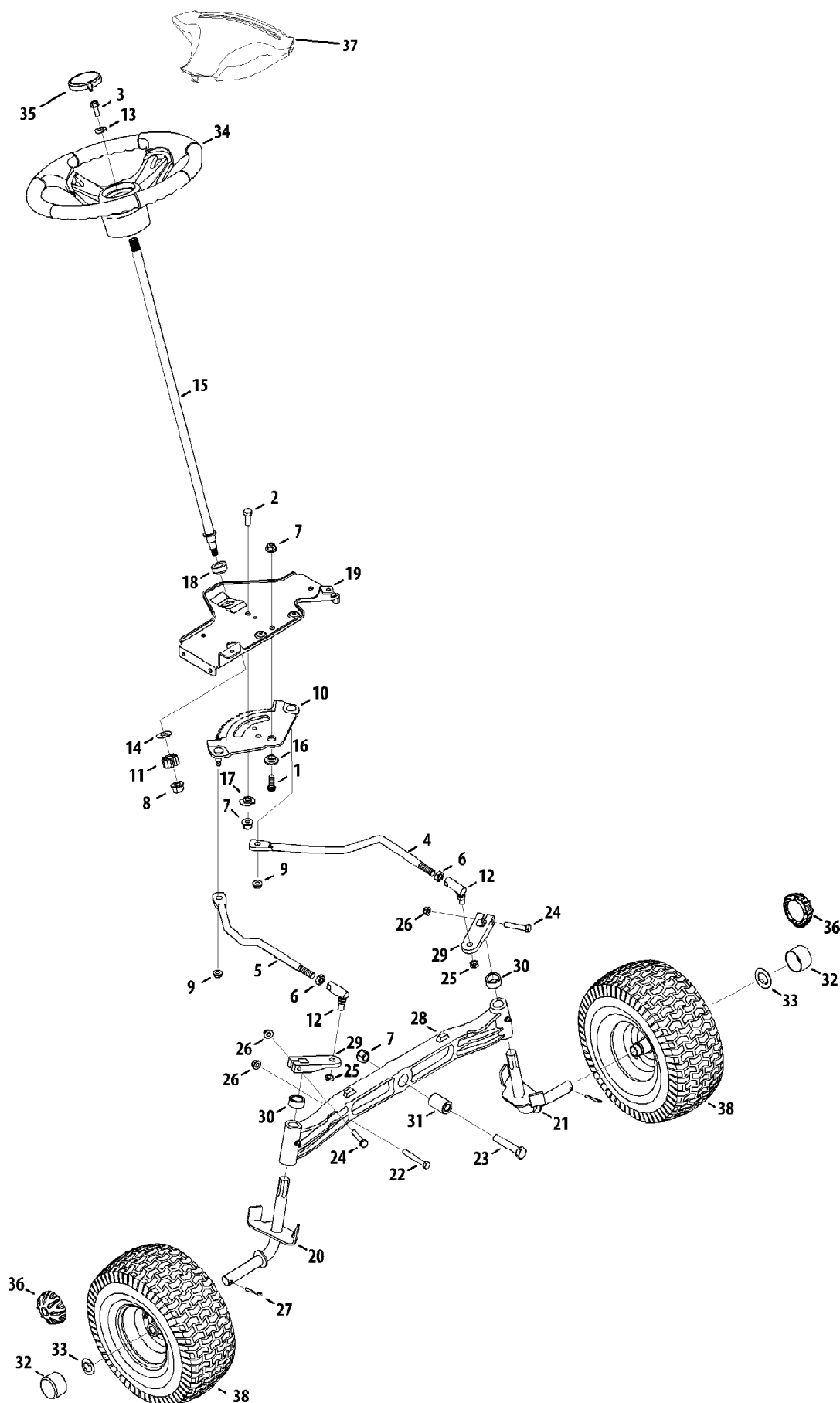
Ref #	Part Number	Qty	S/P/F	Description
54	783-06368-0637	1	S	Belt Guard Pulley Bracket
55	783-06424A-0637	1		Belt Cover
56	748-04069	1		Deck Lift Pivot Cup
57	783-06643-0637	1		Deck Support Station ary Idler Brkt.
58	712-0417A	1	/P	Hex Flange Locknut 5/8-18
59	936-0351	1	/P	Flat Washer .760 ID x 1.5 OD
60	738-1186A	1		Spindle Shaft 6.11" Lg.
61	941-0919	1	/P	Ball Bearing .787 ID x 1.85 OD x .551



13AP91GS897 (2010)
Seat & Fender

Page 16 of 18

Ref #	Part Number	Qty	S/P/F	Description
1	683-04223-0637	1	/P	Lift Shaft Ass'y
2	712-04063	1	/P	Flange Locknut 5/16-18 Gr. F, Nylon
3	712-04065	1	/P	Flange Lock-Nut 3/8-16 Gr. F Nylon
4	914-0104	1	/P	Int. Cotter Pin .072 x 1.13" Lg.
5	714-04040	1		Bow-Tie Cotter Pin
6	716-0106A	1		E-ring .625 Shaft
7	720-0311	1		Handle Grip
8	732-0874	1	/P	Torsion Spring
9	736-0105	1	/P	Cupped Washer .375 ID x .870 OD x .063
10	738-0138A	1	/P	Shoulder Scr. .437 Dia x .47
11	938-0380	1	/P	Shoulder Screw .500 x .25 (42")
11	738-04130	1		Shoulder Bolt 3/8-16 x .625 (46")
12	741-0225	1	S	Hex Flange Bearing .630 ID
13	746-0968	1		Lift Cable, 16.16
14	747-04962A	1	/P	Lift Handle
15	756-04331	1		Roller Pulley
16	783-04494C-0637	1	/P	Lift Arm RH
17	783-04711C-0637	1	/P	Lift Arm LH
18	710-04484	1		Hex Wash Hd. Tapp Scr. 5/16-18 x .75
19	712-3004A	1	/P	Hex Flange L-Nut 5/16-18
20	720-04061	1		Knob
21	725-0157	1	/P	Cable Tie
22	732-04561	1		Compression Spring 1.71 x 3.735 x .238
23	938-0296	1	/P	Shoulder Screw
24	783-06049-0606	1		Seat Mounting Bracket
25	783-06088-0606	1		Seat Pivot Bracket
26	783-06266-0637	1	/P	Seat Bracket, Knob adjustment
27	783-06448	1		Switch Retaining Clip
28	710-0528	1	/P	Hex Bolt 5/16-18 x 1.25
29	710-0599	1	/P	Hex Wash S-Tapp Scr 1/4-20 x .50
30	710-0895	1		Hex Tapp Scr 1/4 x .75" Lg.
31	731-06795	1		Lift Lever Cover
32	931-2104C	1	/P	Shift Lever Cover
33	735-0690	1		Grommet .4375 ID x .75
34	736-3078	1	/P	Flat Washer .344 ID x 1.0
35	750-3310	1		Flange Spacer .3125 x .4375 x .625
36	783-06259-0606	1		Fender
37	726-3046	1	/P	Foot Pad Clips
38	735-04138	1		Foot Pad LH
39	735-04158	1		Foot Pad RH
40	757-04086	1		Seat, High Back
41	925-05013	1	/P	Seat Switch
42	783-06443-0637	1		Lift Bracket 6 positions
42	783-06039-0637	1		Lift Bracket 12 positions
43	783-05546A-0637	1	/P	Lift Link (46")
44	714-04040	1		Bow-Tie Cotter Pin (46")



13AP91GS897 (2010)
Steering Assembly

Page 18 of 18

Ref #	Part Number	Qty	S/P/F	Description
1	710-04095	1		Screw, 3/8-16 x 1.0
2	710-0514	1	/P	Hex Screw 3/16 x 1.00
3	710-0643	1	/P	Hex Screw 5/16-18 x 1.00 Special
4	711-04998	1		Link, Drag LH
5	711-04999	1		Link, Drag RH
6	912-0240	1	/P	Hex Jam Nut 7/16-20
7	712-04065	1	/P	Flange Lock-Nut 3/8-16 Gr. F Nylon
8	712-0459	1	/P	Flange Lock Nut, 7/16-20
9	712-3004A	1	/P	Hex Flange L-Nut 5/16-18
10	717-1550F	1	/P	Steering Gear, 11/90 Ratio
11	717-1554	1		Steering Pinion Gear
12	923-0448A	1	/P	Ball Joint, 7/16 - 20
13	936-3004	1	/P	Flat Washer .406 ID x .875 DE x .105
14	736-3084	1	/P	Fl. Washer .510 x 1.120 x .060
15	738-04263	1		Steering Shaft .625 OD x 24.25
15	738-04262	1		Steering Shaft .625 OD x 25.00
16	738-04363	1		Shoulder Spacer .385 x 1.25 x .3025
17	738-04364B	1		Spacer .38x 1.375 Special
18	741-04237B	1	/P	Hex Flange Bearing 5/8
19	783-06043-0637	1		Steering Support Bracket
20	938-04034	1	/P	Axle Ass'y RH .750 Dia. (46" Deck)
20	638-04032-0637	1		Axle Ass'y RH .750 Dia. (42" Deck)
21	638-04035P	1	/P	Axle Ass'y LH .750 Dia. (46" Deck)
21	638-04033-0637	1		Axle Ass'y LH .750 Dia. (42" Deck)
22	710-0395	1	/P	Hex Bolt 5/16-18 x 2.25
23	710-0859	1	/P	Hex Cap Screw, 3/8-16 x 2.5
24	710-3180	1	/P	Hex Screw 5/16-18 x 1.75" Lg.
25	912-0214	1	/P	Hex Cent L-Nut 3/8-24
26	712-04063	1	/P	Flange Locknut 5/16-18 Gr. F, Nylon
27	714-0162	1	/P	Cotter Pin 5/32" Dia.
28	719-04413A	1		Pivot Bar (cast)
29	748-04065-0637	1	/P	Steering Block
30	748-04068	1		Spacer .710 ID x .125 OD x .56
31	750-05280	1		Spacer .385 x 1.0 x 1.5075
32	731-05674	1		Hub Cap
33	736-04228A	1		Flat Washer .350 x 1.559 x .062
34	631-04028	1		Steering Wheel, Standard Grip
34	631-04008A	1	/P	Wheel Ass'y
35	731-04040	1		Steering Wheel Cap (spig)logo
36	731-2290A	1	/P	Hub Cap
37	731-04065A	1		Steering Wheel Cover (w/sprigs)
38	634-04406-0911	1		Wheel Ass'y Comp. 15 x 6 x 6
38	734-1731-0901	1	/P	Tire Only
38	634-04405-0662	1		Rim Ass'y Only