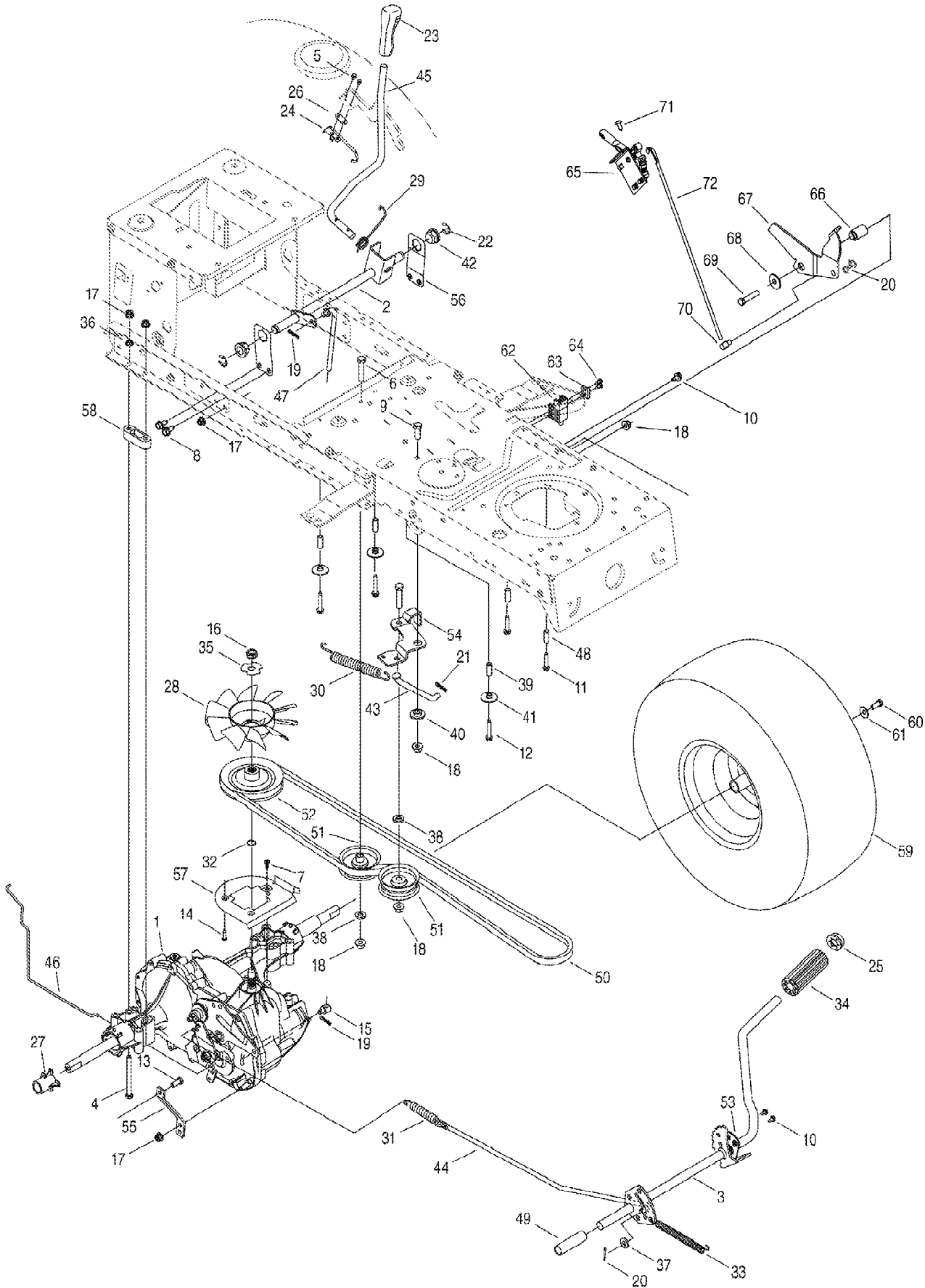


13AM79GF897 (2010)
Drive Assembly



13AM79GF897 (2010)
Drive Assembly

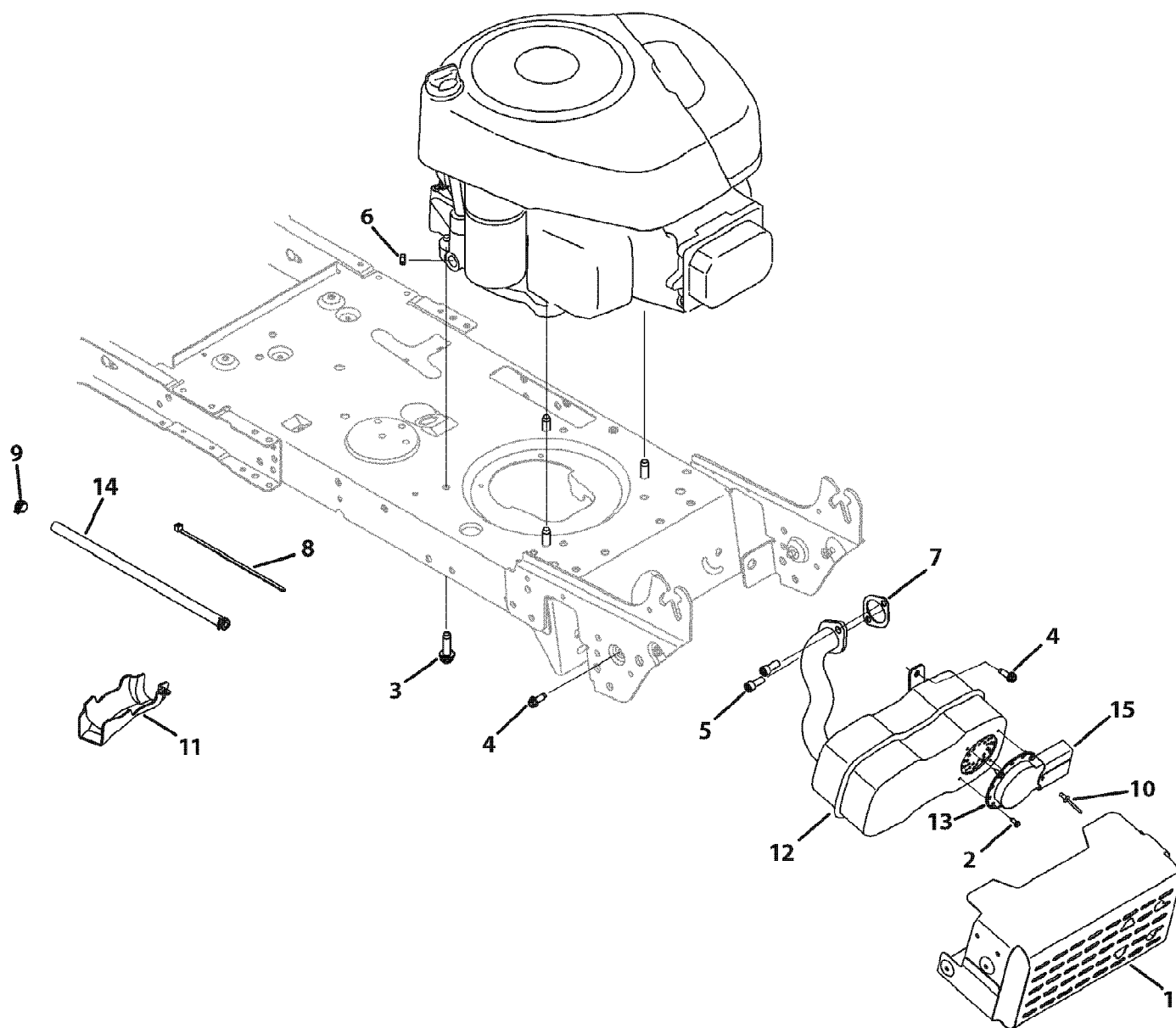
Page 2 of 18

Ref #	Part Number	Qty	S/P/F	Description
1	918-04198	1	/P	Transmission Ass'y
2	647-04038A	1	/P	Hydro Hand Control Ass'y
3	647-04054A-0637	1	/P	Hydro Pedal Assembly
4	710-0176	1	/P	Hex Scr 5/16-18 x 2.75
4	710-1266	1	/P	Hex Scr 5/16-18 x 3.5
5	710-0227	1	/P	Hex Wash HD AB S-Tapp Scr #8-.50
6	710-0347	1	/P	Hex Scr 3/8-16 x 1.75
7	710-0351	1	/P	Screw #10-16 x .50
8	710-04484	1		S-Tapp Scr 5/16-18 x .75
9	710-0514	1	/P	Hex Scr 3/8-16 x 1.0
10	710-0604A	1	/P	Hex Scr 5/16-18 x 0.625
11	710-0809	1		Hex Bolt 1/4-20 x 1.25
12	710-1325	1	/P	Screw 1/4-20 x 1.25
12	710-1026	1	/P	Screw 1/4-20 x 1.75
13	710-3008	1	/P	Hex Bolt 5/16-18 x .75" Lg. Gr. 5
14	710-3009	1	/P	Screw, #10-24 x .75
15	711-04448	1		Ferrule
16	712-0346	1	S	Jam L-Nut 1/2-20
17	712-04063	1	/P	Flange Locknut 5/16-18 Gr. F, Nylon
18	712-04065	1	/P	Flange Locknut 3/8-16 Gr. F, Nylon
19	714-0104	1	S	Int. Cotter Pin .072 x 1.13" Lg.
20	714-04040	1		Bow Tie Cotter Pin
21	714-3004	1		Cotter Pin 3/32 dia x 1.25 Lg.
22	716-0106A	1		"E" Ring .625 Dia.
23	720-0311	1		Handle Grip
24	725-04249	1		Hydro Spring Switch
25	726-0214	1	/P	Push Cap 5/8" Dia Rod
26	926-0320	1	/P	Insulator Nut Plate
27	731-05299A	1		Sleeve, .765 x 1.5" Lg.
28	731-06098	1		Hydro Fan
29	732-04225	1		Torsion Spring
30	732-04229	1		Ext. Spring .75 Dia. x 6.02
31	732-0716D	1	/P	Ext. Spring .59 OD x 4.00 Lg.
32	732-0729	1	/P	Wire Ring
33	732-0963	1		Extension Spring .50 dia. x 6.37
34	735-0239	1	/P	Foot Pad
35	736-04263	1		Lockwasher Trans Hydro
36	736-0607	1	/P	Lockwasher 5/16 ID
37	936-3008	1	/P	Flat Washer .344 x .750 x .120
38	736-3010	1		Flat Washer .407 x .812 x .135 HT
39	750-0566A	1	/P	Spacer .260 x .375 x 1.030 Lg.
39	750-04456	1		Spacer .260 x .372 x 1.420
40	710-0347	1	/P	Screw, 3/8-16 x 1.75
41	738-04178	1	S	Shoulder Spacer .375 OD x .284
41	936-0211	1	/P	Flat Washer .285 x 1.25 x .06
42	941-0225	1	/P	Hex Flange Bearing .630 ID
43	747-04283A	1	/P	Declutching Rod
44	747-04286	1		Brake Rod
45	747-04296A	1	/P	Hydro Control Handle
46	747-04316	1		Hydro Bypass Rod
47	747-04407A	1		Hydro Control Rod
48	750-0566A	1	/P	Spacer, .260 x .375 x 1.030" Lg.
49	750-0802	1		Spacer, .630 x .76 x 2.6" Lg.

13AM79GF897 (2010)
Drive Assembly

Page 3 of 18

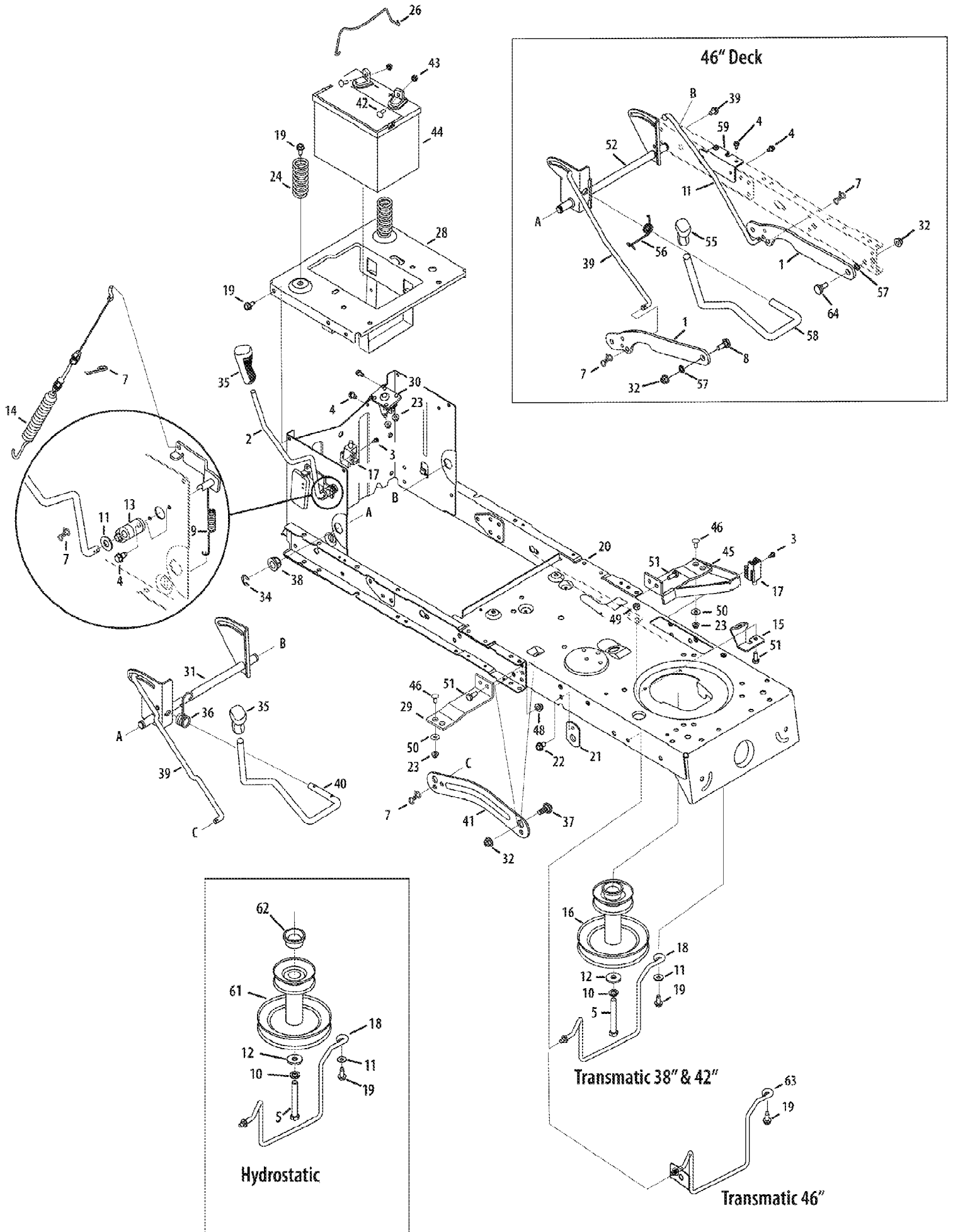
Ref #	Part Number	Qty	S/P/F	Description
50	954-04074A	1	/P	V-Belt 4L SEC x 78.2 Lg
51	756-04224	1	/P	Flat Idler Pulley 2.75 OD
52	756-04309	1		Input Pulley
53	783-04536B-0637	1	/P	Support Pedal Bracket
54	783-04570A-0637	1	/P	Idler Arm
55	783-04579A-0637	1	/P	Torque Bracket
56	783-04585A	1		Handle Bracket
57	783-04600A-0637	1	/P	Belt Disengage Support Bracket
58	948-0334	1	/P	Spacer, T-Axle, 46" only
59	634-0104-0911	1	/P	Wheel Assembly Complete, 20 x 8 x 8
59	734-1730-0901	1	/P	Tire Only, 20 x 8 x 8, Square Shoulder
59	634-04369-0662	1		Rim Only
60	710-0627	1	/P	Hex L-Screw 5/16-24 x 0.75 Gr. 5
61	736-0242	1	/P	Cupped Washer .345 ID x .88 OD x .060
62	725-04363	1		Interlock Switch
63	17962	1		Switch Plate
64	728-04021	1		Rivet
65	983-04226	1	/P	Hydro Ass'y
66	750-04465	1		Fig,. Spacer
67	783-04862	1	/P	Latch Ass'y, Engagement (RMC)
67	783-04903	1		Latch Ass'y, Engagement (w/o RMC)
68	936-0133	1	/P	Flat Washer .411 ID x 1.25 OD x .10
69	710-3144	1	/P	Hex Screw 3/8-16 x 2.0 Gr. 5
70	711-0736	1	/P	Adjustment ferrule
71	710-04483	1		Screw, 1/4-20 x .5
72	747-04430	1		Control Speed Selector Rod



13AM79GF897 (2010)
Engine Accessories

Page 5 of 18

Ref #	Part Number	Qty	S/P/F	Description
1	683-04549-0637	1	/P	Muffler Shield
2	710-0227	1	/P	Hex Wash HD AB S-Tapp Scr #8-.50
3	710-04683	1		Hex Wash S-Tapp Scr 3/8-16 x 1.0
4	710-0642	1	/P	Thd Forming Scr. 1/4-20 x .75 Lg.
5	710-1314A	1	/P	Socket HD Cap Scr. 5/16-18 x .75
6	712-0271	1	/P	Sems Nut 1/4-20
7	BS-692236	1	/P	Exhaust Gasket (B&S)
8	725-0157	1	/P	Cable Tie
9	726-0205	1	/P	Hose Clamp
10	728-04000	1		Rivot, Pop, .188 x .3
11	731-05628	1		Oil Drain Sleeve
12	751-10448A	1	S	Muffler, Single Inlet
13	751-0564B	1	/P	Muffler Deflector
14	751-10349-28	1	/P	Fuel Hose; Low Permeation
15	751-10353	1		Muffler Deflector



13AM79GF897 (2010)
Frame & PTO

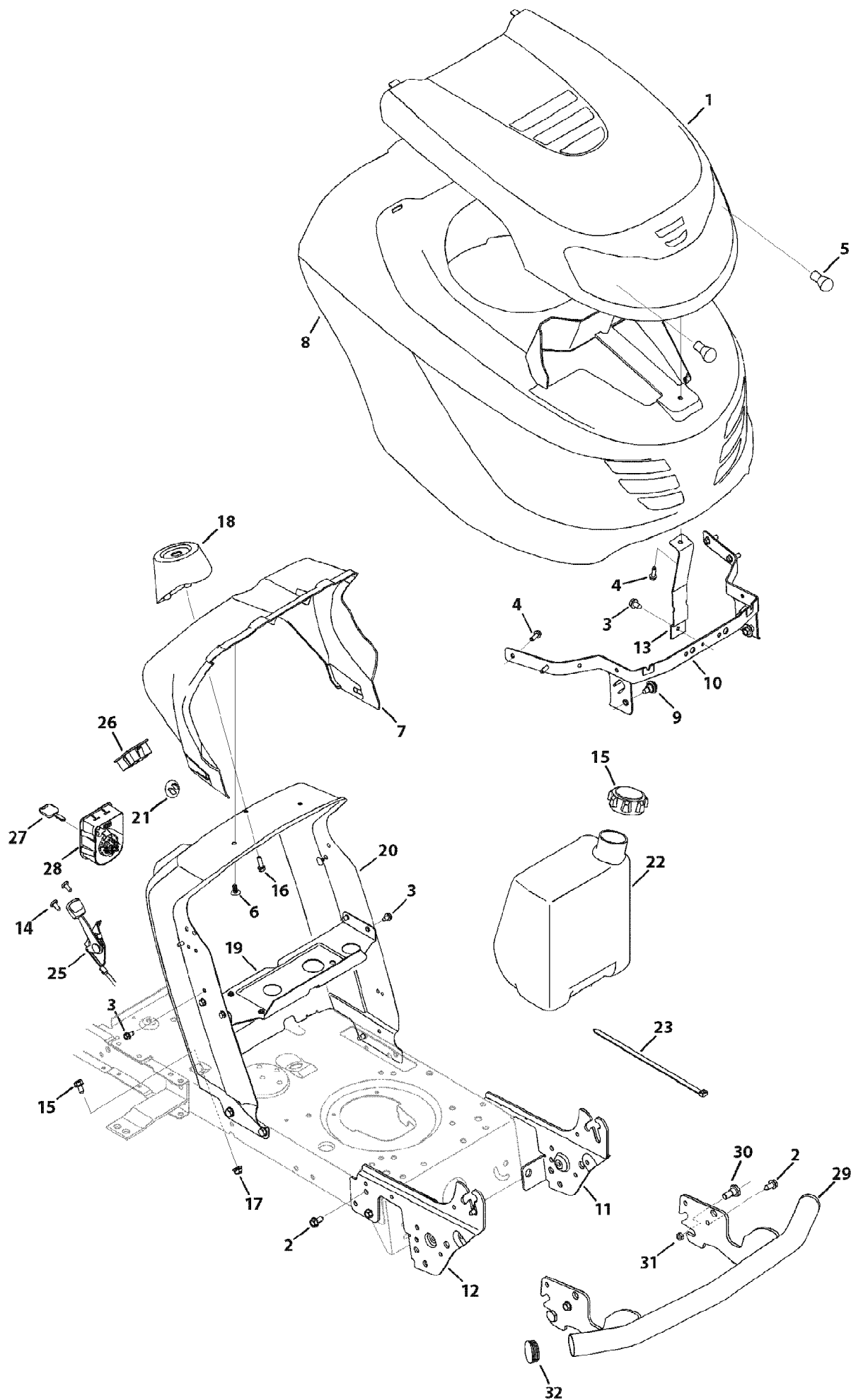
Page 7 of 18

Ref #	Part Number	Qty	S/P/F	Description
1	783-0678C-0637	1	/P	Deck Lift Link (46")
2	647-04096-0637	1	/P	PTO Handle
3	738-04237A	1		Shoulder Scr #10-16 x .50" Lg.
4	710-0599	1	/P	Hex Wash S-Tapp Scr 1/4-20 x .50
5	710-04608	1		Hex Hd. Cap Scr. 7/16-20 x 3.25 Gr. 5 (38/42")
6	783-05389-0637	1	/P	Frame Brace Bracket
7	714-04040	1		Bow Tie Cotter Pin
8	738-0380	1	S	Shoulder Screw .5 x .270 : 3/8-16
9	732-04276A	1	/P	Extension Spring
10	736-0171	1	S	Lockwasher 7/16 ID
11	736-0300	1	S	Flat Washer .385 ID x .87 OD x .06
12	736-0322	1	/P	Flat Washer .450 x 1.25 x .164
13	741-04119	1	S	PTO Bearing
14	746-04173B	1	S	Deck Engagement Cable
15	783-04753-0637	1		Frame Support Bracket
16	756-04196A	1	/P	Engine Pulley 3.39 x 6.12 dia. (38/42")
17	725-04363	1		Interlock Switch
18	747-04332A	1	/P	Belt Keeper Rod (38" Deck)
19	710-04484	1		S-Tapp Scr 5/16-18 x .75
20	683-04450-0606	1		Frame
21	783-04536B-0637	1	/P	Pedal Support Bracket
22	710-0604A	1	/P	Hex Wash HD TT Scr 5/16-18 x .625
23	712-04064	1	/P	Hex L-Flanged Nut 1/4-20 Gr. F, Nylon
24	732-04035	1		Compression Spring 1.28 x 3.125
26	683-04448-0637	1	/P	Battery Hold Down Rod
28	783-04548C-0637	1	/P	Seat Frame Bracket
29	783-04637-0637	1	/P	Running Board Bracket
30	725-04439	1		Solenoid
31	683-04155A-0637	1	/P	Lift Shaft (38" & 42")
32	712-04065	1	/P	Flange Lock-Nut 3/8-16 Gr. F, Nylon
34	716-0106A	1		"E" Ring .625 Dia.
35	720-0311	1		Handle Grip
36	732-04225	1		Torsion Spring (38" & 42")
37	738-04130	1		Shoulder Screw .625 x .175, 3/8-16
38	941-0225	1	/P	Hex Flange Bearing .630 ID
39	747-04393	1		Lift Rod
40	747-04282	1		Deck Lift Handle(38" & 42")
41	783-04494C-0637	1	/P	Deck Lift Arm RH
41	783-04711C-0637	1	/P	Deck Lift Arm LH
42	710-04666	1		Hex Flg. Scr. 1/4-20 x .75 Gr. 5
43	712-0271	1	/P	Sems Hex Nut 1/4-20
44	925-1707D	1	/P	Battery 245 CCA (Dry)
45	683-04195-0637	1		Support Bracket Ass'y
46	710-0134	1	/P	Carriage Bolt 1/4-20 x .62
48	712-04063	1	/P	Hex L-Flg Nut 5/16-18 Gr. F, Nylon
49	912-0429	1	/P	Hex L-Nut 5/16-18
50	736-0173	1	/P	Flat Washer .28 x .74 x .063
51	710-3008	1	/P	Hex Screw 5/16-18 x .75
52	683-04334-0637	1	/P	Lift Shaft (46" only)
55	720-0298	1		Grip
56	732-04438	1		Torsion Spring (46")

13AM79GF897 (2010)
Frame & PTO

Page 8 of 18

Ref #	Part Number	Qty	S/P/F	Description
57	936-0140	1	/P	Flat Washer .395 x .62 x .063
58	747-04653	1		Deck Lift Handle (46")
59	783-05389-0637	1	/P	Brace Bracket
61	956-04067A	1	/P	Engine Pulley 3.39 x 6.12 dia. (38/42")
62	750-0956	1		Spacer 1.0 x 1.4 x .825
63	683-04414-0637	1	/P	Belt Keeper Rod (46" Deck)



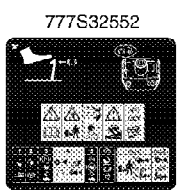
13AM79GF897 (2010)
Hood & Grille

Page 10 of 18

Ref #	Part Number	Qty	S/P/F	Description
1	931-04308	1	/P	Hood Style G
1	931-06564	1	/P	Lens Style G Not shown
1	777X43285	1		Reflective Label Not shown
2	710-04484	1		S-Tapp Scr 5/16-18 x .75
3	710-0599	1	/P	Hex Wash S-Tapp Scr 1/4-20 x .50
4	710-0895	1		Hex Tapp Scr 1/4 x .75" Lg.
5	925-0963	1	/P	Miniature Lamp 12V Socket Type
6	726-3046	1	/P	Ratchet Clip
7	931-06470	1	/P	Dash Collar
8	931-06537	1	/P	Hood Style G
9	738-04091A	1	/P	Shoulder Screw 5/16-18, .43 x .29
10	783-04606C-0637	1	/P	Pivot Hood Bracket
11	783-05327B-0637	1	/P	LH Pivot Bracket
12	783-05328A-0637	1	/P	RH Pivot Bracket
13	783-06117-0637	1	/P	Hood Support Bracket
14	710-04483	1		Hex Wash Hd Scr. 1/4-20 x .500
15	751-0603A	1	/P	Cap-Fuel
16	710-0895	1		Hex Tapp Scr 1/4 x .75" Lg.
17	712-04063	1	/P	Flange Locknut 5/16-18 Gr. F, Nylon
18	731-04945	1		Steering Support
19	783-04584A-0637	1	/P	Gas Tank Support Bracket
20	783-04892B-0606	1		Dash Assembly
21	731-05265	1		Choke Plug
22	751-0555B	1	/P	Fuel Tank 1.5 gal.
23	726-0230	1	/P	Cable Tie
25	746-04364	1		Choke/Throttle Cable
26	925-04156	1	/P	Indicator Monitor
27	925-1745A	1	/P	Key
28	925-04227B	1	/P	Key Switch Module
29	683-04219B-0637	1	/P	Bumper Ass'y
30	738-0143	1	/P	Shoulder Scr. .498 x .340: 3/8-16
31	912-3000	1	/P	Hex L-Nut 3/8-16 Gr. B
32	731-05674	1		Cap
	925-04085	1	/P	Wire Harness (w/ RMC w/o Ammeter) Not shown
	625-04088P	1	/P	Wire Harness (w/RMC, w Ammeter) Not shown



777CD30086
Center On Rear Fender



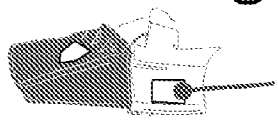
777D13468
On Left Side Panel



777I22505
On Fender With
The Pto Side Next To The
Deck Height
Next To The Deck Height

777D13467
On Right Side Panel

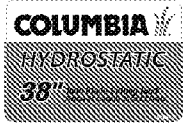
777I22512



(QTY 2) 777D14587
On Each Side



777D14594
Center On Operators
Left Side Of Fender Front



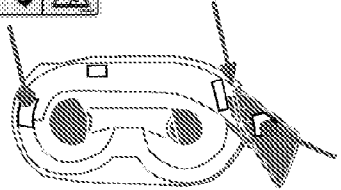
777S30298
Under Chute



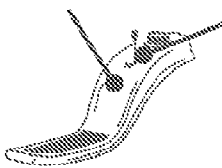
777S32356



777I22510



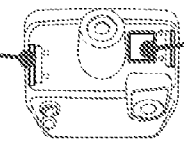
REF: Chute Label



777I22511



DASH



777I22508

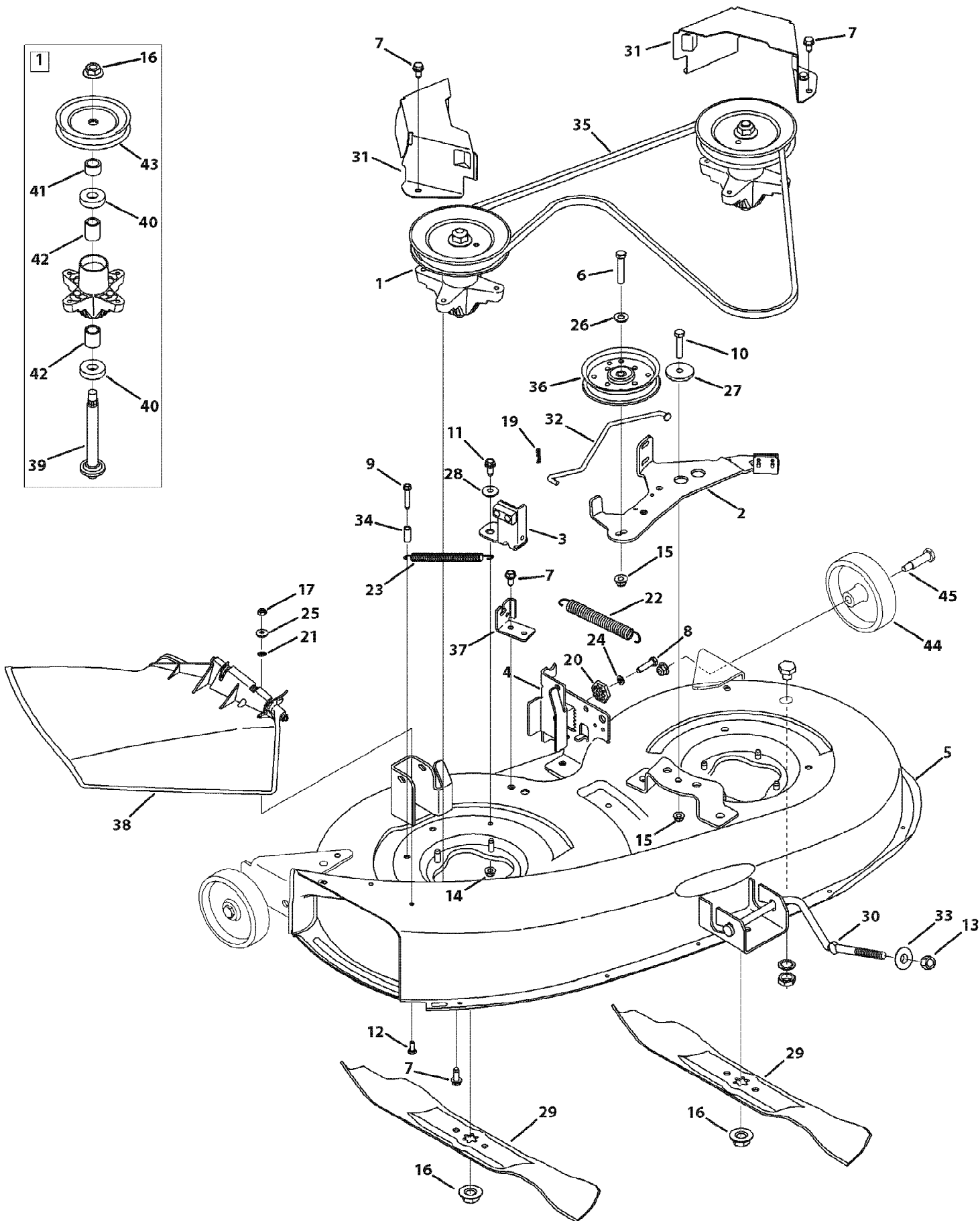


13AM79GF897 (2010)
Label Map

Page 12 of 18

Ref #	Part Number	Qty	S/P/F	Description
777X43285	777X43285	1		LABEL-REFLECTOR G STYLE
777CD30086	777CD30086	1		LABEL-REAR FENDER COLUMBIA
777S32552	977S32552	1		LABEL-LT5 FLOORBOARD
777I22505	777I22505	1		LABEL-RIDER LT-5 FENDER EURO
777I22512	777I22512	1		LABEL-LT-5 RDR:TRANS RLSE: EUR
777D14271	777D14271	1		LABEL-RDR/DK:YMACH/CAN:38/METRIC
777S32356	777S32356	1		LABEL-RIDER SAFETY
777S30296	777S30296	1		LABEL-RIDER DECK:
777D14594	777D14594	1		LABEL-RDR:COLUMBIA HYDRO 38
777I22510	777I22510	1		LABEL-RDR:LT-5 FENDER:HYDRO:EUR
777I22511	777I22511	1		LABEL-RDR:LT-5 DASH:HYD PK:EUR
777I22508	777I22508	1		LABEL-RIDER LT-5 THROTTLE/CHOKE
777D14587	777D14587	1		LABEL-RDR:COLUMBIA C79GF
777D13467	777D13467	1		LABEL-RIDER HOOD RH COLUMBIA
777D13468	777D13468	1		LABEL-RIDER HOOD LH COLUMBIA

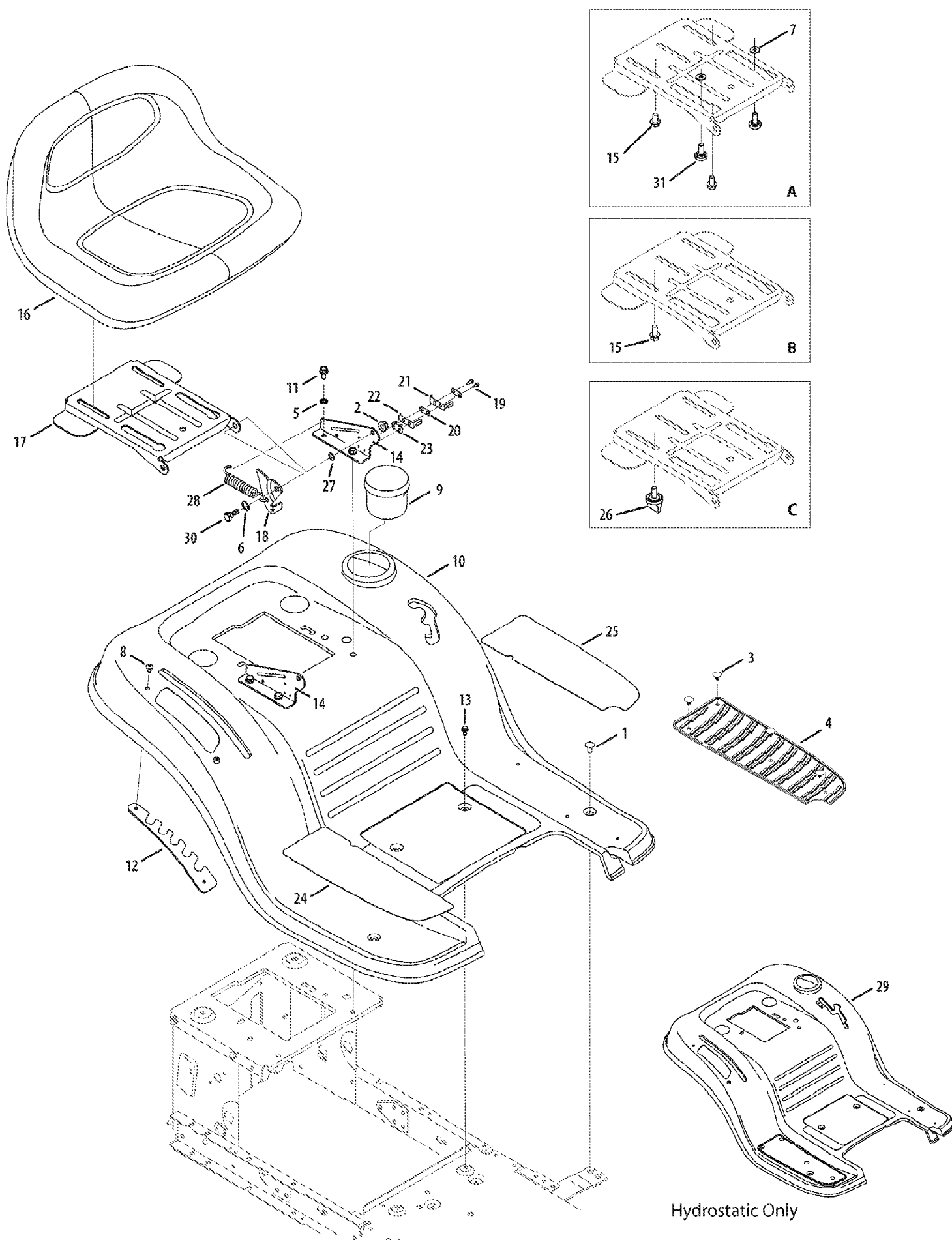
13AM79GF897 (2010)
Mower Deck 38-Inch



13AM79GF897 (2010)
Mower Deck 38-Inch

Page 14 of 18

Ref #	Part Number	Qty	S/P/F	Description
1	918-04474A	1	/P	Pulley Spindle Ass'y 5.75 dia.
2	983-04167	1	/P	Deck Brake Assembly
3	683-04138B-0606	1		Deck Brake Assembly
4	683-04228-0637	1		Deck Hanger Brkt. Ass'y
5	983-04264-0606	1	/P	Deck Shell, 38" (w/ wheel brackets)
6	710-0347	1	/P	Hex Screw 3/8-16 x 1.75
7	710-04484	1		S-Tapp Scr 5/16-18 x .75
8	710-0528	1	/P	Hex Wash Tap Scr 5/16-18 x 1.25
9	710-0778	1	/P	Hex Wash HD Bolt 1/4-20 x 1.50" Lg.
10	710-3005	1	/P	Hex Bolt 3/8-16 x 1.25
11	710-3008	1	/P	Hex Bolt 5/16-18 x .75" Lg. Gr. 5
12	710-3015	1	/P	Hex Bolt 1/4-20 x 1.00
13	712-04243	1		Flexloc Nut 1/2-13
14	712-04063	1	/P	Hex Flange Locknut 5/16-18 Gr. F, Nylon
15	712-04065	1	/P	Hex Flange Locknut 3/8-16 Gr. F Nylon
16	712-0417A	1	/P	Hex Flange Locknut 5/8-18
17	712-3006	1	/P	Hex Nut 1/4-20 Gr. 5
19	714-0104	1	S	Int. Cotter Pin .072 x 1.13" Lg.
20	917-04074	1	/P	Deck Adjustment Gear
21	726-0233	1	/P	Bolt Retainer 1/4" x .50" OD
22	732-04280B	1	/P	Extension Spring .75 dia. x 6.37 Lg.
23	732-04287	1		Extension Spring .50 dia x 6.37
24	936-0119	1	/P	L-Wash 5/16 ID
25	736-0270	1	/P	Cupped Washer .265 ID x .75 OD x .062
26	936-0300	1	/P	Flat Washer
27	738-04162A	1	/P	Shoulder Spacer .8540 x .200
28	738-04166	1		Shoulder Spacer
29	742-0610A-0637	1		3 in 1 Blade 19.38" Lg.
30	747-04322	1		Deck Rod, Front Adjustable
31	783-04602A-0606	1		Belt Cover 5.66 dia.
32	747-04381	1	/P	Brake Control Rod
33	748-04069	1		Deck Lift Pivot Cup
34	750-0566A	1	/P	Spacer .260 x .375 x 1.030 Lg.
35	954-04062	1	/P	V-Belt
36	756-04129B	1	/P	Idler Pulley w/Flange 4.25 Dia
37	783-04740-0637	1		Deck Engage Cable Bracket
38	631-0216A	1	/P	Side Discharge Chute Assembly
39	938-04241	1	/P	Spindle Shaft 5.5
40	941-0919	1	/P	Ball Bearing .787 ID x 1.85 OD x .551
41	750-04739	1		Spacer, .820 x 1.150 x .480
42	750-1000	1		Spacer .80 x 1.10 x 1.322
43	756-1188	1		Deck Pulley
44	734-0973	1	/P	Deck Wheel
45	938-0373	1	/P	Shoulder Bolt .498 Dia x 1.53 x 3/8-16

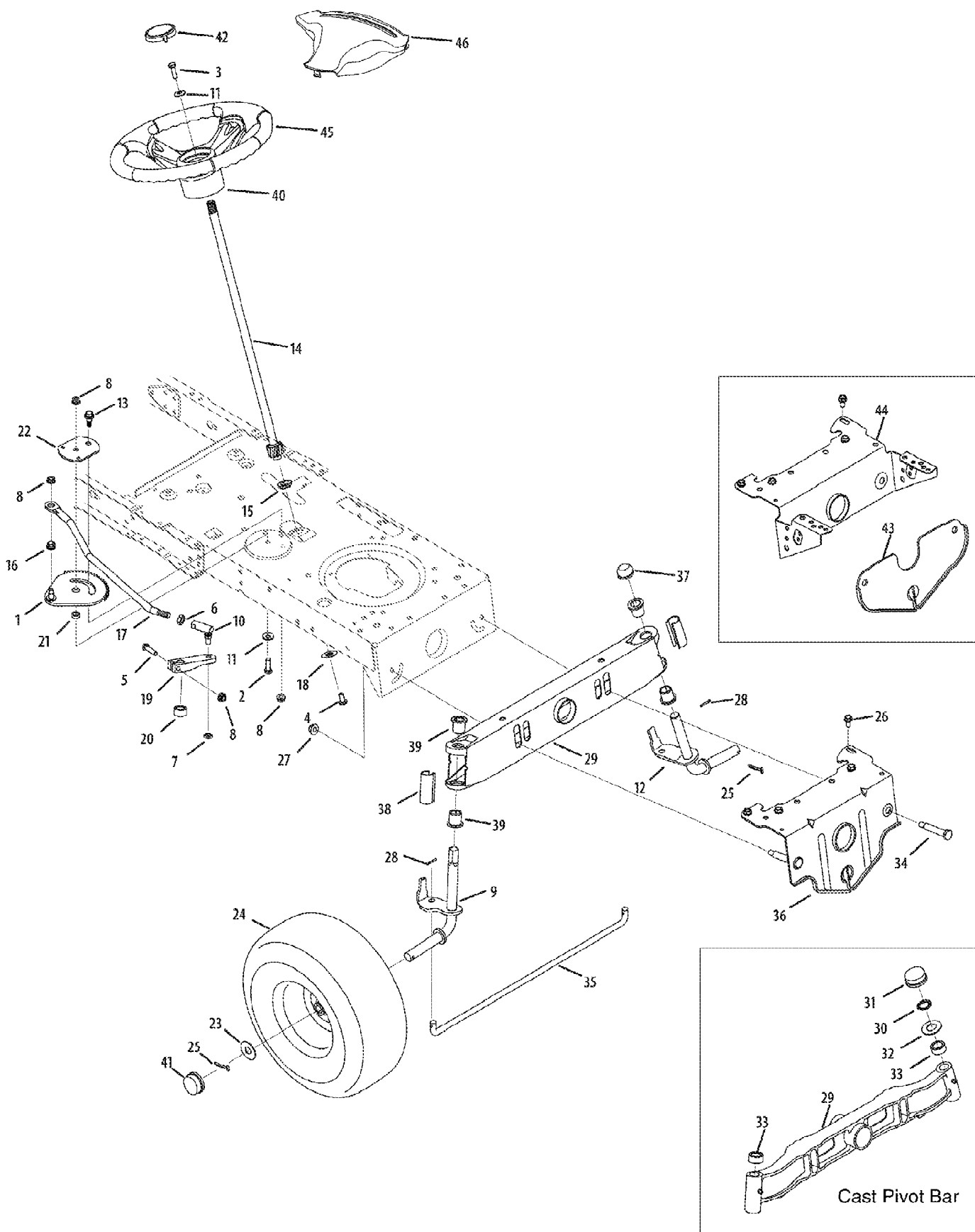


Hydrostatic Only

13AM79GF897 (2010)
Seat & Fender

Page 16 of 18

Ref #	Part Number	Qty	S/P/F	Description
1	710-0134	1	/P	Carriage Bolt 1/4-20 x .62
2	712-04063	1	/P	Flange Locknut 5/16-18 Gr. F, Nylon
3	726-04072A	1	/P	Ratchet Clip
4	735-04048	1		Foot Pad, RH
4	735-04047	1		Foot Pad, LH
5	736-0607	1	/P	Lockwasher 5/16 ID
6	936-0108	1	/P	Flat Washer .510 x .750 x .033
7	936-0300	1	/P	Flat Washer .405 x .875 x .059
7	936-0140	1	/P	Flat Washer .395 x .62 x .063
8	710-04483	1		Screw, 1/4-20 x .50
9	731-04591A	1	/P	Cup Holder
10	783-04587C-0606	1		Fender
11	710-04484	1		S-Tapp Scr 5/16-18 x .75
12	783-04843-0637	1		Lift Adjustment Bracket
13	710-0599	1	/P	Hex Wash S-Tapp Scr 1/4-20 x .50
14	783-1489C-0637	1	/P	Seat Mounting Bracket
15	710-04482	1		Screw 3/8-16 x .875
16	757-04099	1		Seat, Low Back
17	783-04081C-0637	1	/P	Seat Pivot Bracket
18	783-0209D	1	/P	Seat Lift Bracket
19	710-0227	1	/P	Hex Wash HD AB S-Tapp Scr #8-.50
20	726-0279	1		Insulator Plate
21	925-1303	1	/P	Spring Switch
22	725-1439	1		Seat Spring Switch
23	726-0278	1		Insulator Plate
24	723-04025	1		Foot Pad, Abra sive, RH
25	723-04026	1		Foot Pad, Abra sive, LH
26	720-04061	1		Knob
27	726-0201	1		Push Speed Nut
28	732-1184	1	/P	Extension Spring .84 Dia. x 4.6
29	783-04593B-0606	1		Fender - Hydrostatic
30	938-0296	1	/P	Shoulder Screw
31	738-04012A	1	/P	Shoulder Screw .625 x .175, 3/8-16



13AM79GF897 (2010)
Steering & Front Axle

Page 18 of 18

Ref #	Part Number	Qty	S/P/F	Description
1	617-04024A	1	/P	Steering Gear Assembly
2	710-0376	1	/P	Hex Scr 5/16 x 1,00 Gr. 5
3	710-0643	1	/P	Hex Screw 5/16-18 x 1.00 Special
4	710-1309	1	/P	Machine Screw 5/16-18 x .75
5	710-3180	1	/P	Hex Screw 5/16-18 x 1.75" Lg.
6	912-0240	1	/P	Hex Jam Nut 7/16-20
7	912-0214	1	/P	Hex Cent-L Nut 3/8-24 Gr. B
8	712-04063	1	/P	Flange Locknut 5/16-18 Gr. F, Nylon
9	638-04008P	1	/P	Axle Assembly, RH
10	923-0448A	1	/P	Ball Joint, 7/16 - 20
11	736-0242	1	/P	Cupped Washer .345 ID x .88 OD x .060
12	938-04007A-0637	1	/P	Axle Assembly, LH
13	738-04141	1		Shoulder Screw .435 x .3485, 5/16-18
14	738-0919A	1	/P	Steering Shaft, 5/8 Spline x 21.86
15	941-04124	1	/P	Hex Flange Bearing 5/8
16	941-04454	1	/P	Plastic Bushing .375 ID x .5
17	747-04298	1		Steering Drag Link
18	948-0389	1	/P	Cap, 1.25 x .16
19	748-04065-0637	1	/P	Steering Block
20	748-04068	1		Spacer .710 ID x .125 OD x .56
21	750-04418	1		Spacer .322 ID x .625 OD x .21
22	783-04644	1	S	Stabilizer Plate, Gear Segment
23	736-04228A	1		Flat Washer .781 ID x 1.59 OD Special
24	634-04086-0911	1	/P	Wheel Assembly Complete 15 x 6 x 6.5 (grease fitting on outside of rim)
24	734-1731-0901	1	/P	Tire Only Not shown
24	934-04081-0662	1	/P	Rim Only Not shown
24	934-0255	1	/P	Valve Not shown
25	714-04039A	1		Cotter Pin 5/32 x 1.25
26	710-04484	1		S-Tapp Scr 5/16-18 x .75
27	712-04065	1	/P	Flange Lock-Nut 3/8-16 Gr. F, Nylon
28	914-0474	1	/P	Cotter Pin 1/8" Dia x .75
29	683-0128B-0606	1		Pivot Bar
29	719-04177A	1		Pivot Bar (cast)
30	726-04035	1		Push Nut 3/4"
31	731-04693	1		Axle End Cap
32	736-04228A	1		Flat Washer .78 x 1.59 Special
33	748-04068	1		Spacer .71 x .125 x .56
34	738-04128	1		Shoulder Screw .500 x 2.380, 3/8-16
35	747-04299A	1	/P	Tie Rod
36	783-05326B-0637	1	/P	Pivot Bar Bracket
37	726-0341	1	/P	Push Cap, .750
38	731-04057A	1		Axle End Cap, Standard
39	741-0660A	1	/P	Flange Bearing .760 ID x .937 OD
40	631-04028	1		Steering Wheel, Standard Grip
41	931-0484A	1	/P	Plastic Hub Cap
42	731-04040	1		Steering Wheel Cap (sprig logo)
43	783-04568-0637	1		Front Deck Hanger Bracket
44	783-04601C-0637	1		Pivot Bracket
45	631-04028	1		Steering Wheel
46	731-04065A	1		Steering Wheel Cover - MT