

11A-549Q597 (2008)
General Assembly

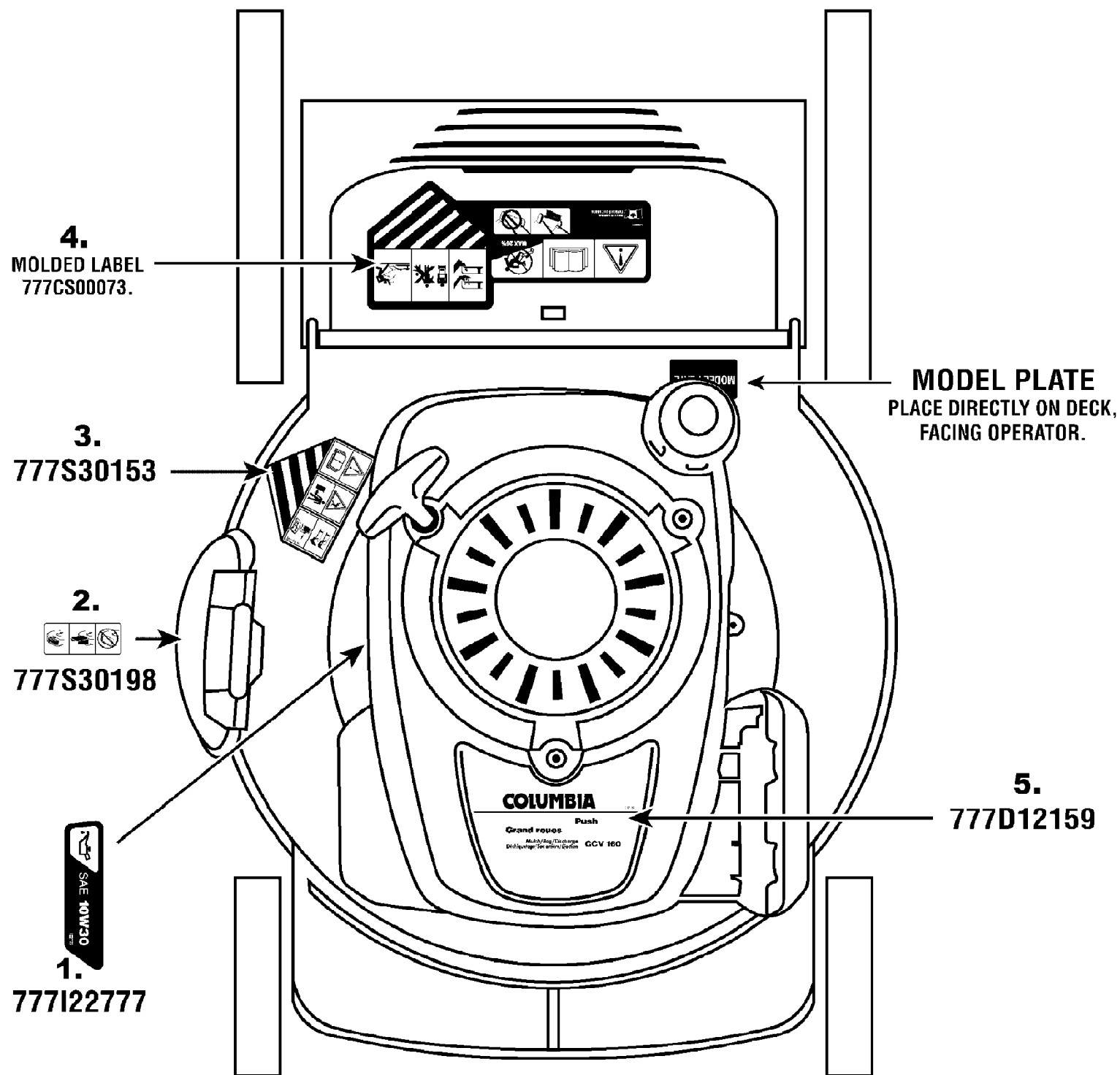
Page 2 of 7

Ref #	Part Number	Qty	S/P/F	Description
1	747-1161A	1	S	Blade Control Handle - Black
2	749-1092A	1	/P	Upper Handle - Black
3	747-04080A	1	S	Catcher Lower Frame
4	749-0928A	1	S	Lower Handle
5	720-0279	1	/P	Knob 1/4-20
6	710-1205	1	/P	Rope Guide Bolt
7	710-1174	1	/P	Curved Carriage Bolt 5/16-18 x 2.00
8	664-04007A	1	S	Generic Grasscatcher Bag - Black
9	736-0182	1	/P	Spring Wash. .5 x 1.0 (w/2" side rear whls)
10	710-0606	1	/P	Hex Cap Screw 1/4-20 x 1.5" Lg.
11	726-0240	1	S	Cable Tie
12	710-0703	1	/P	Carriage Bolt 1/4-20 x .75 Gr. 1
13	731-05866	1		RB Chute Door
16	732-04090A	1		RH Torsion Spring
17B	734-04093	1		Wheel Ass'y Comp. 12 x 2.125 Idle Zag Grey
18	731-04150C	1	/P	RR Baffle
19	720-04072	1	S	Knob - Star 5/16-18
20	787-01279	1		21" Deck Ass'y (w/ side discharge)
20	787-01276	1		21" Deck Ass'y (w/o side discharge)
21	732-04089A	1		LH Torsion Spring
22	782-5002B	1	/P	Front Baffle 21"
23A	748-04082	1	/P	Blade Adapter 25 mm x 2.15 (w/star)
23B	748-0377C	1	S	Blade Adapter #6 x 2.15 (w/star)
24	742-0641	1	S	21" Blade (w/star)
24	742-0741	1	S	21" Mulching Blade (w/star)
25	710-1257	1	/P	Hex Bolt 3/8-24 x 2.5" Lg. Gr. 8
26	687-02337	1	S	Pivot Bar RH
26	687-02336	1	S	Pivot Bar LH
27	736-0524B	1	/P	Blade Bell Support
28	787-01290A	1	/P	Height Adjuster Plate
29	720-0426	1	/P	Knob
30	732-0404	1	S	Spring Lever Ass'y
31	738-04266	1		Shoulder Screw .50 Dia. x .385
32	734-2005A	1	S	Wheel Ass'y 8 x 2.125 Idle Zag
32	734-2004A	1	S	Wheel Ass'y 8 x 2.125 Idle Zag BB
33	710-1241	1		Hex. L-Scr. 1/4-15 x 1.0
34	746-1130	1	S	Control Cable 40.0" Lg. Snap-on (w/Honda)
36	731-05642	1	S	Rear Flap
37	712-04064	1	/P	Flange Locknut 1/4-20
38	712-0397	1	S	Wingnut 1/4-20
39	747-04588	1		Pivot Rod
40	732-0866	1		Spring Lever SP (w/o knob)
41	687-02039A	1	S	Pivot Bar RH SP
41	687-02040A	1	S	Pivot Bar LH SP (not shown)
42	710-1652	1	/P	Hex HD. TT Tap Scr. 1/4-20 x 5/8
43	712-04065	1	/P	Flange Locknut 3/8-16
44	714-0104	1	S	Int. Cotter Pin 5/16 DIA
45	710-0654A	1	/P	Hex Wash HD Tap Scr 3/8-16 x .88
46	687-02075B	1	S	Height Adj. Ass'y LH (w/8" Front Wheels)
46	687-02074B	1	S	Height Adj. Ass'y RH (w/8" Front Wheels)
47	731-04859	1		Snap-On Bail Cover - Grey
47	731-04204	1		Snap-On Bail Cover - Red
47	731-2626	1		Snap-On Bail Cover - Black

11A-549Q597 (2008)
General Assembly

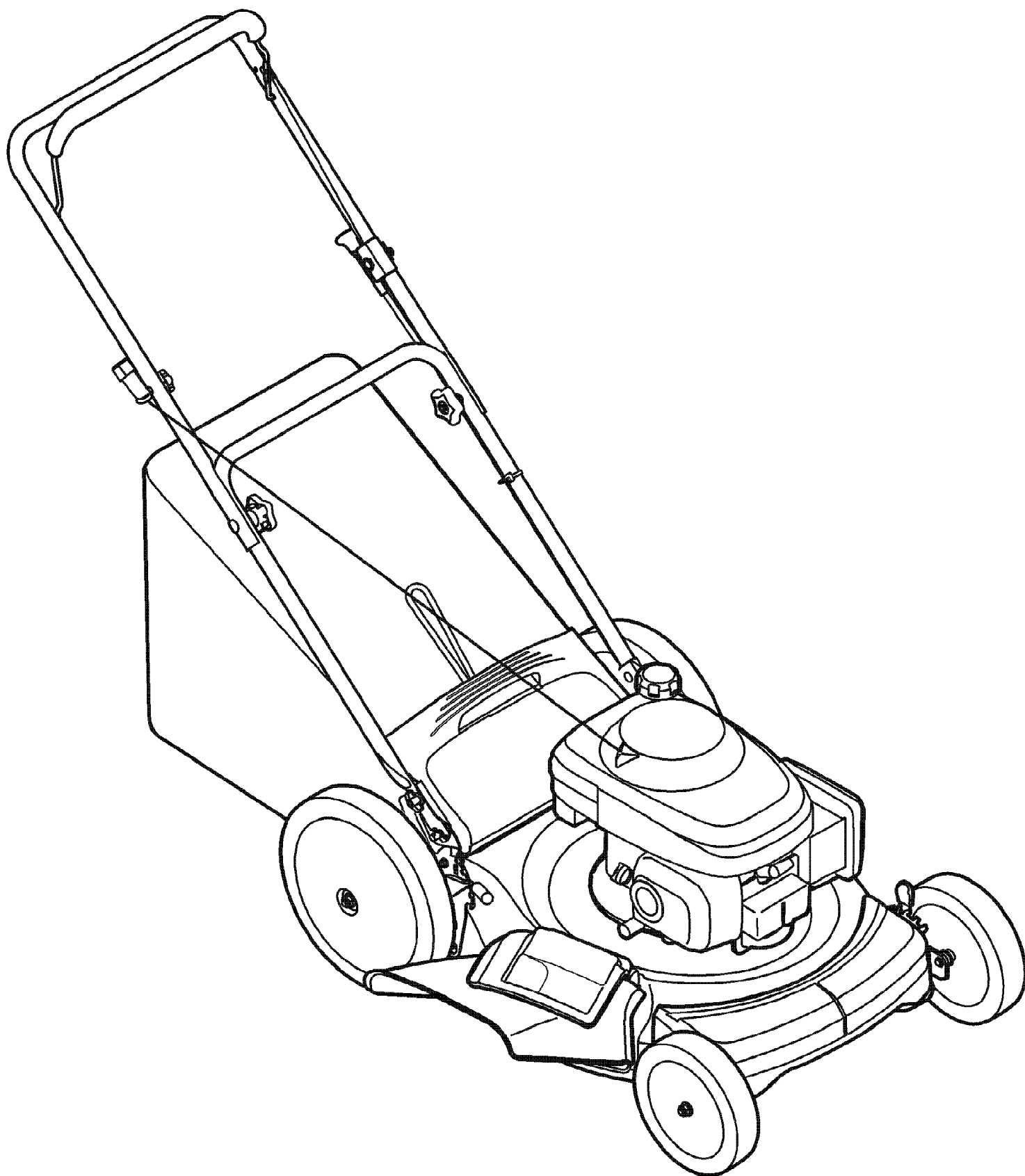
Page 3 of 7

Ref #	Part Number	Qty	S/P/F	Description
48	687-02280A	1	S	LH Rear Height Adj. Ass'y Complete
48	687-02279A	1	S	RH Rear Height Adj. Ass'y Complete
49	687-02075B	1	S	LH Height Adj. Brkt.
49	687-02074B	1	S	RH Height Adj. Brkt.
50	736-0182	1	/P	Spring Washer .50 ID x 1.0 OD x .022
51	687-02055	1	S	Complete Hinged Mulching Plug Ass'y
52	732-1014	1		Torsion Spring
53	747-0710	1	S	Hinge Pin
54	731-04177	1	/P	Chute Deflector
55	17032A	1	/P	Chute Adapter
56	710-0599	1	/P	Hex Wash S-Tapp Scr 1/4-20 x .50
57	736-0270	1	/P	Cupped Washer .265 ID x .75 OD x .062
58	710-04577	1		Screw
59	731-05889	1		Shroud (w/MTD Engine)
60	736-0504	1	S	Wave Washer .510 x .750 x .017
61	710-0216	1	/P	Hex Hd. Cap Screw 3/8-16 x .75
62	720-0312	1		Knob
63	731-1426A	1	S	Hub Cap - Yellow
63	731-0981A	1	S	Hub Cap - Grey



11A-549Q597 (2008)
Label Map

Ref #	Part Number	Qty	S/P/F	Description
1	777I22777	1		LABEL-10W30
2	777S30198	1		LABEL:MOWER
3	777S30153	1		LABEL-DANGER CHUTE
4	N/A	1		LABEL
5	777D12159	1		LABEL-ENG SHROUD COLUMBIA



11A-549Q597 (2008)
Quick Reference

Page 7 of 7

Ref #	Part Number	Qty	S/P/F	Description
	490-250-0009	1		Spark Plug
	N/A	1		Pre Filter
	17211-ZL8-023	1		Air Filter
	746-1130	1	S	Control Cable
	748-04082	1	/P	Blade Adaptor
	742-0741	1	S	Blade
	736-0524B	1	/P	Blade Bell Support
	710-1257	1	/P	Blade Bolt
	734-2005A	1	S	Wheels (Front)
	734-04093	1		Wheels, 8 x 2.0 (Rear)
	731-05642	1	S	Trailshield
	687-02055	1	S	Mulch Plug
	731-04177	1	/P	Discharge Chute
	664-04007A	1	S	Grass Bag
	747-04080A	1	S	Grass Bag Frame