

11A-439Q597 (2009)
General Assembly

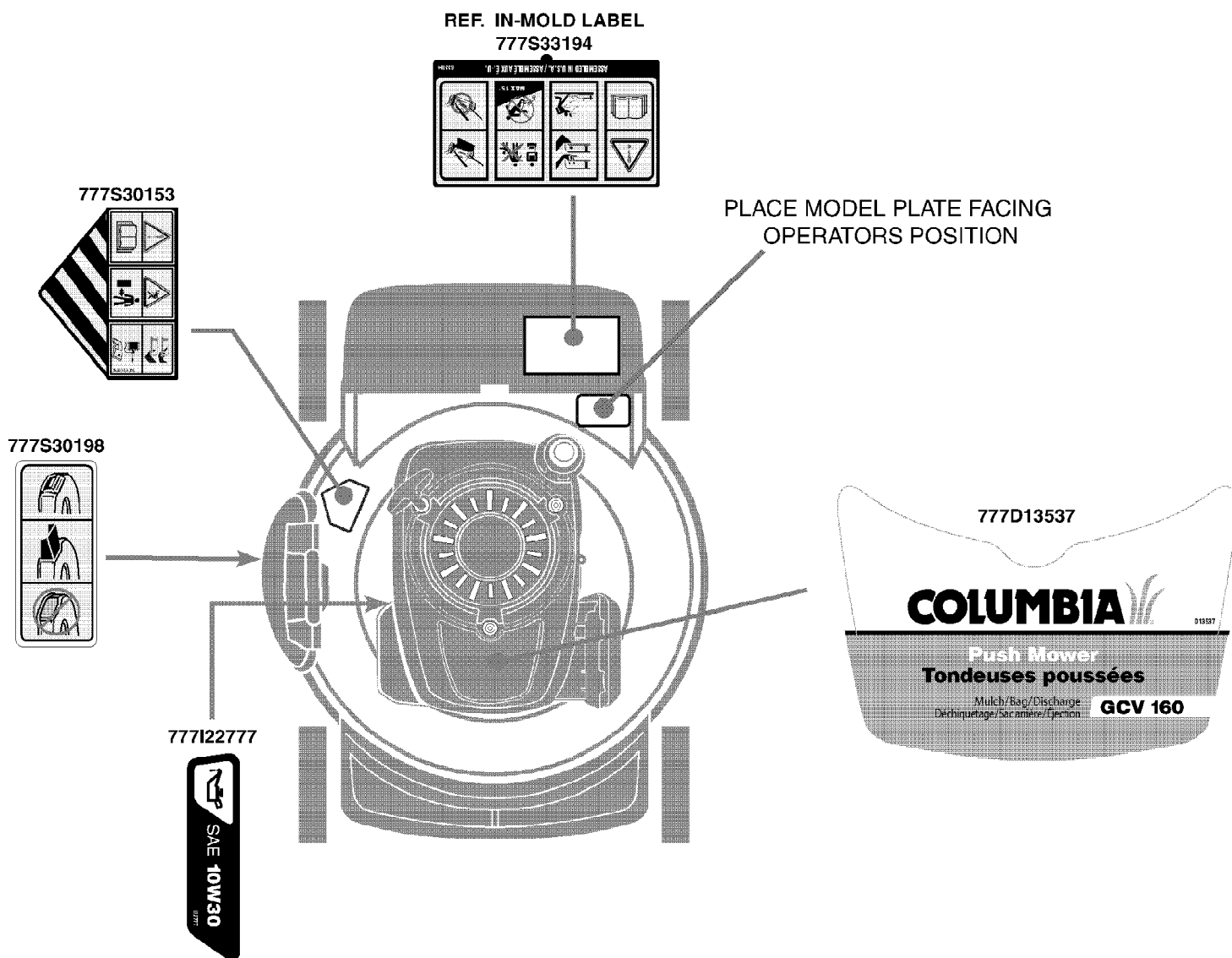
Page 2 of 7

Ref #	Part Number	Qty	S/P/F	Description
1	747-1161A-0637	1	/P	Blade Control Handle - Black
2	749-1092A-0637	1	/P	Upper Handle - Black
3	747-04080A-0637	1	/P	Catcher Lower Frame
4	749-0928A-0637	1	/P	Lower Handle
5	720-0279	1	/P	Knob 1/4-20
6	710-1205	1	/P	Rope Guide Bolt
7	710-1174	1	/P	Curved Carriage Bolt 5/16-18 x 2.00
8	964-04007A	1	/P	Generic Grasscatcher Bag
9	720-04072A	1	/P	Knob - Star 5/16-18
10	787-01381	1		LH Height Adj. Brkt.
10	787-01382	1		RH Height Adj. Brkt.
11	926-0240	1	/P	Cable Tie
12	710-0606	1	/P	Hex Cap Screw 1/4-20 x 1.5" Lg.
13	731-06885	1		RB Chute Door
14	987-02270A	1	/P	LH Rear Height Adj. Ass'y Complete
14	987-02271A	1	/P	RH Rear Height Adj. Ass'y Complete
15	987-02075B	1	/P	Height Adj. Ass'y LH (w/8" Frt Wheels)
15	987-02074B	1	/P	Height Adj. Ass'y RH (w/8" Frt Wheels)
16	732-04090A	1		Torsion Spring RH
17	734-2004B	1	/P	Wheel Ass'y 8 x 2.125 Idle BB Zag
18	731-04150C	1	/P	RR Baf fle
19	712-04064	1	/P	Flange Locknut 1/4-20
20	787-01279-0606	1		21" Deck Ass'y (w/ side discharge)
21	710-0654A	1	/P	Hex Wash HD Tap Scr 3/8-16 x .88
22	782-5002B	1	/P	Front Baffle 21"
23	748-04226	1	S	Blade Adapter 25 mm x 2.15 (w/star)
24	942-0641	1	/P	21" Blade (w/star)
24	942-0741	1	/P	21" Mulching Blade (w/star)
25	710-1257	1	/P	Hex Bolt 3/8-24 x 2.5" Lg. Gr. 8
26	987-02337	1	/P	Pivot Bar RH
26	987-02338	1	/P	Pivot Bar LH
27	736-0524B	1	/P	Blade Bell Support
28	787-01290A	1	/P	Height Adjuster Plate
29	720-0426	1	/P	Knob
30	94832	1	/P	Spring Lever Ass'y (w/o knob)
31	738-04266	1		Shoulder Screw .50 Dia.
32	734-2004A	1	S	Wheel Ass'y 8 x 2.125 Idle BB Zag
33	710-1241	1		Hex. L-Scr. 1/4-15 x 1.0
34	746-1130	1	S	Control Cable 40.0" Lg. Snap-on
35	746-04239A	1		Choke Cable Ass'y 38.0" Lg.
36	946-04299	1	/P	ERS Cable Control 48.0 (w/manual choke)
37	731-05642A	1	/P	Rear Flap
38	912-0397	1	/P	Wingnut 1/4-20
39	747-04587	1		Pivot Rod
40	987-02078	1	/P	Spring Lever SP (w/knob)
40	720-0426	1	/P	Knob Not shown
41	987-02071A	1	/P	Pivot Bar RH SP
41	987-02070A	1	/P	Pivot Bar LH SP (not shown)
42	710-1652	1	/P	Hex HD. TT Tap Scr. 1/4-20 x 5/8
43	712-04065	1	/P	Flange Locknut 3/8-16
44	731-2626	1		Snap-On Bail Cover -Black
45	710-0703	1	/P	Carriage Bolt 1/4-20 x .75 Gr. 1
46	987-02055	1	/P	Control Cable Ass'y for Mulching Plug Ass'y

11A-439Q597 (2009)
General Assembly

Page 3 of 7

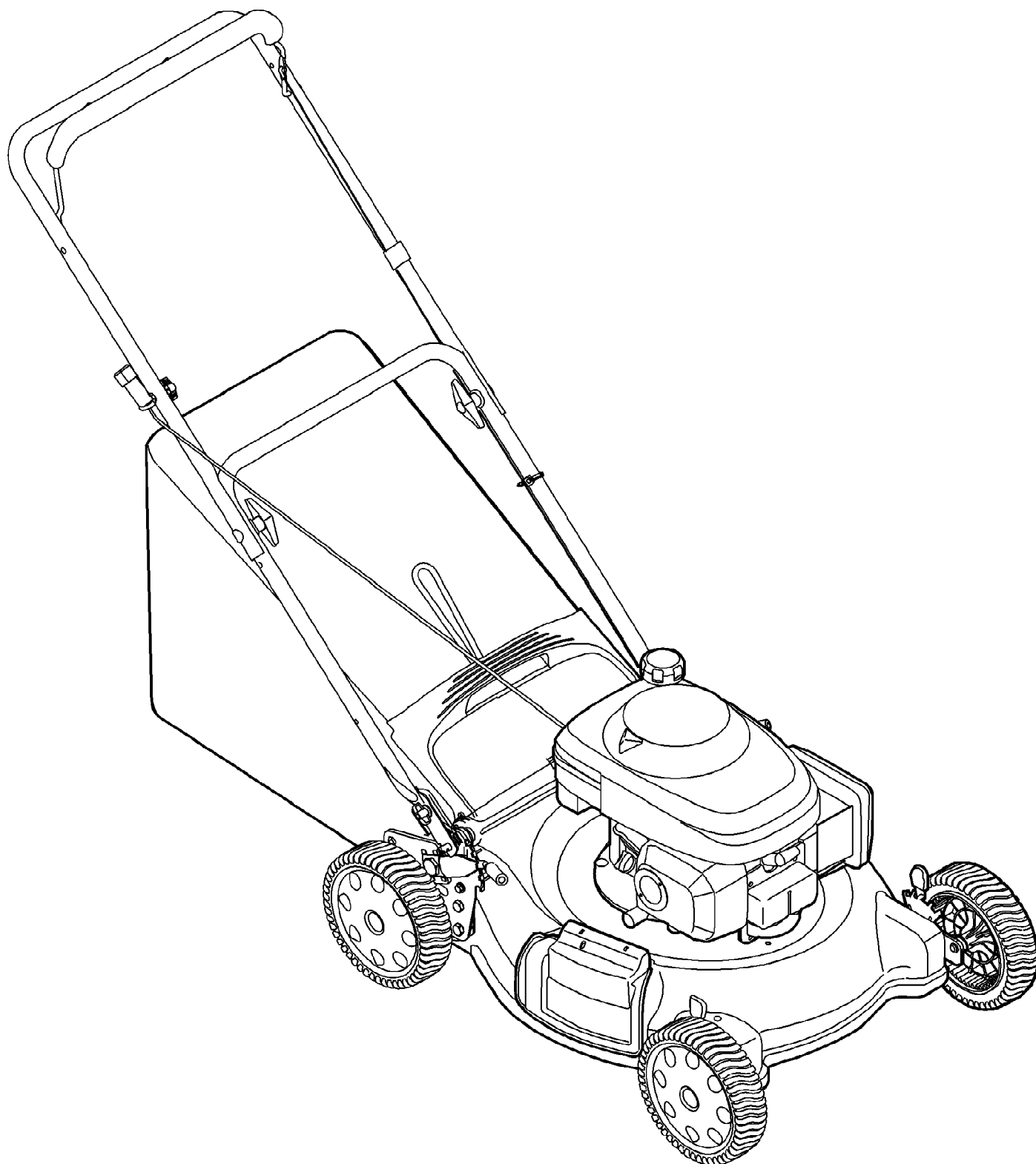
Ref #	Part Number	Qty	S/P/F	Description
47	732-1014	1		Torsion Spring
48	747-0710	1	S	Hinge Pin
49	731-04177	1	/P	Chute Deflector
50	17032A	1	/P	Chute Adapter
51	710-0599	1	/P	Hex Wash S-Tapp Scr 1/4-20 x .50
52	736-0270	1	/P	Cupped Washer .265 ID x .75 OD x .062
53	7510042823	1	/P	Screw
54	751A1433513	1		Shroud
55	936-0504	1	/P	Wave Washer (w/ball brg wheels only)
56	731-06265	1		Shroud
57	710-04577	1		Screw (w/inserts in engine for shroud)
57	710-04744	1		Screw (w/o inserts in engine for shroud)
59	731-0981C	1	/P	Hub Cap -Grey
60	710-1017	1	/P	Screw 1/4-14 x .625
61	782-5003A	1	/P	LH Rear Baffle
62	782-5004B	1	/P	RH Rear Baffle
63	731-1523A	1		Cover



11A-439Q597 (2009)
Label Map

Page 5 of 7

Ref #	Part Number	Qty	S/P/F	Description
777S33194	N/A	1		LABEL:MOWER :IN MLD:BG DR:AUSA:CDN Mold-In Graphic
777S30153	777S30153	1		LABEL-DANGER CHUTE
777S30198	777S30198	1		LABEL:MOWER
777I22777	777I22777	1		LABEL-10W30 ENG SHROUD CDN
777D13537	777D13537	1		LABEL:MOWER :HNDA:COLUMBIA 21"



11A-439Q597 (2009)
Quick Reference

Page 7 of 7

Ref #	Part Number	Qty	S/P/F	Description
	490-250-0009	1		Spark Plug
	N/A	1		Pre Filter
	17211-ZL8-023	1		Air Filter
	N/A	1		Fuel Filter
	746-1130	1	S	Control Cable
	N/A	1		Choke Cable
	748-04226	1	S	Blade Adapter
	942-0641	1	/P	Blade
	736-0524B	1	/P	Blade Bell Support
	710-1257	1	/P	Blade Bolt
	734-2004B	1	/P	Wheels - Front
	734-2004B	1	/P	Wheels - Rear
	731-05642A	1	/P	Trailshield
	731-04177	1	/P	Discharge Chute
	987-02055	1	/P	Mulch Plug
	964-04007A	1	/P	Grass Bag
	747-04080A-0637	1	/P	Grass Bag Frame