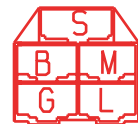
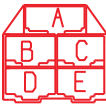


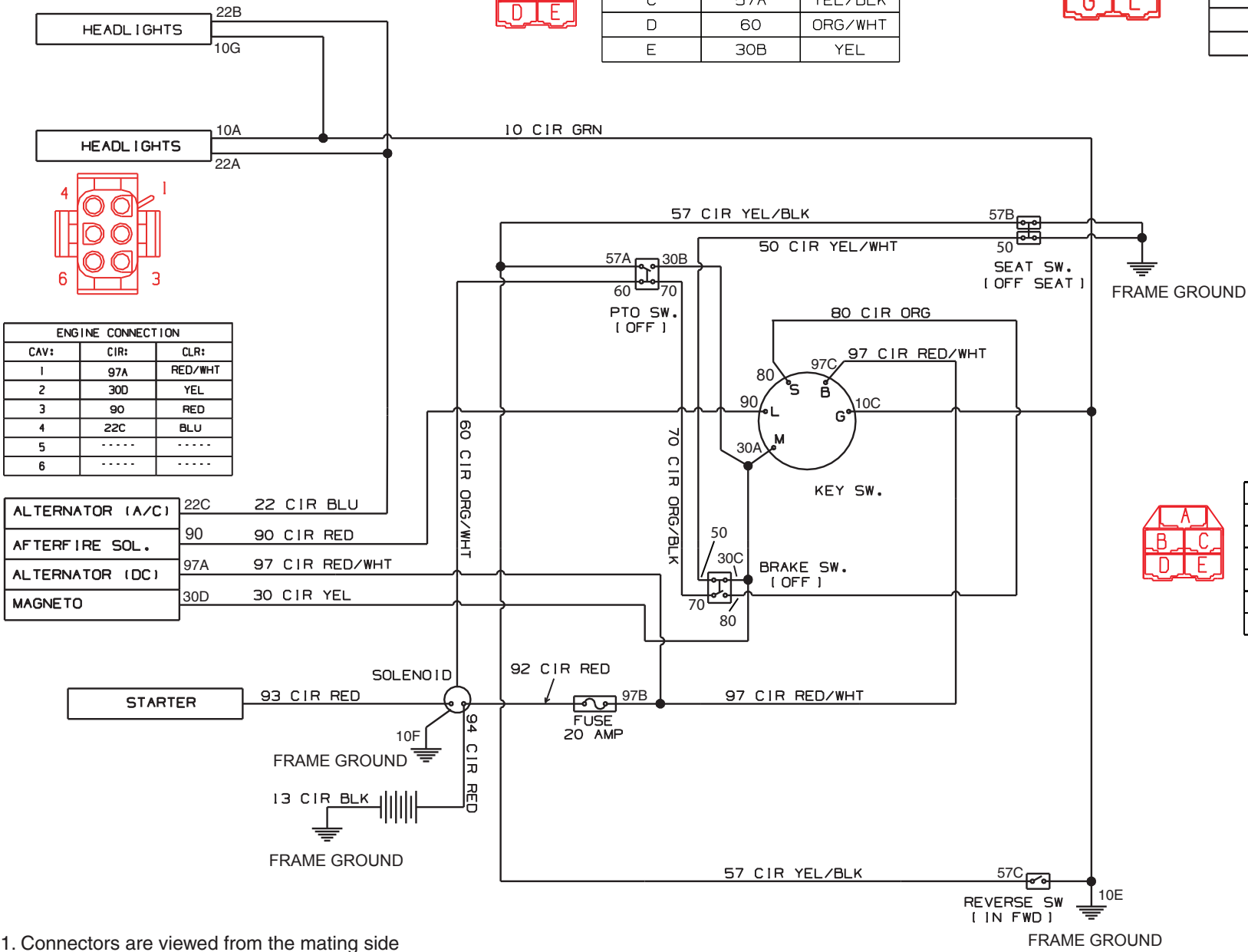
MANUAL PTO SWITCH		
CAV:	CIR:	CLR:
A	N/A	N/A
B	70	ORG/BLK
C	57A	YEL/BLK
D	60	ORG/WHT
E	30B	YEL

KEY SWITCH		
CAV:	CIR:	CLR:
G	10C	GRN
L	90	RED
S	80	ORG
B	97C	RED/WHT
M	30A	YEL



KEY SWITCH FUNCTION

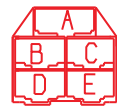
POSITION	CONNECTED
OFF	G + M
RUN	B + L
START	B + S + L



ENGINE CONNECTION		
CAV:	CIR:	CLR:
1	97A	RED/WHT
2	30D	YEL
3	90	RED
4	22C	BLU
5
6

ALTERNATOR (A/C)	22C	22 CIR BLU
AFTERFIRE SOL.	90	90 CIR RED
ALTERNATOR (DC)	97A	97 CIR RED/WHT
MAGNETO	30D	30 CIR YEL

BRAKE SWITCH		
CAV:	CIR:	CLR:
A	N/A	N/A
B	70	ORG/BLK
C	50	YEL/WHT
D	80	ORG
E	30C	YEL



- 725-04567E
- 725-04567D
- 725-04567C
- 725-04567B
- 725-04567A
- 725-04567

1. Connectors are viewed from the mating side unless otherwise noted.
2. Refer to the unit's correct model year Operator's Manual IPL for the electrical component part numbers.