



Assembly Instructions

Universal Skid Shoe Kit

Tools Required

- $\frac{9}{16}$ " Box Wrench or Socket Wrench (Ariens® Snow Thro® Models)
- $\frac{1}{2}$ " Box Wrench or Socket Wrench

How to Install:

1. Remove and discard the four hex nuts and worn skid shoes.
2. Insert new carriage bolts included with this kit (Ariens® Snow Thro® Models use the larger diameter bolts, washers & nuts. All other models use the smaller diameter bolts, washers & nuts).
3. Position the new skid shoe over the carriage bolts.
4. Slide the slotted metal adaptor over the bolt within the large oval opening of the skid shoe, flat side facing out. See Fig. 1.

Note: The adaptor is designed to rotate and to slide up and down in the opening, allowing their bolt hole to be lined up with the carriage bolt on most makes and models.

5. Secure, but don't fully tighten, the skid shoes with the washers and hex nuts included with this kit.
6. Adjust the skid shoe so its entire bottom surface is against level ground. This will help avoid uneven wear.

Note: For close snow removal on a smooth surface, raise skid shoes higher on the auger housing. Use a middle or lower position when the area to be cleared is uneven, such as a gravel driveway.

7. Securely tighten each hex nuts.

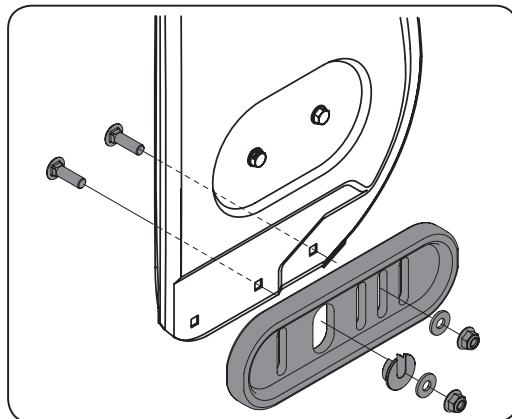


Figure 1