



# Service Advisory

MTD-096

## (Attachments)

**Models Affected:** OEM-190-751 Snow Cab for Fast Attach Capable 600/800/900 Series Tractors. (iSeries Zero Turn and 700 Series Tractors are not capable of taking the OEM-190-751 or OEM-190-751A Snow Cab Accessory)

**Serial Number Range Affected:** N/A

**Date:** 1/8/2009

**Subject:** OEM-190-751 Snow Cab Attachment - Suitcase Weights Bracket Kit

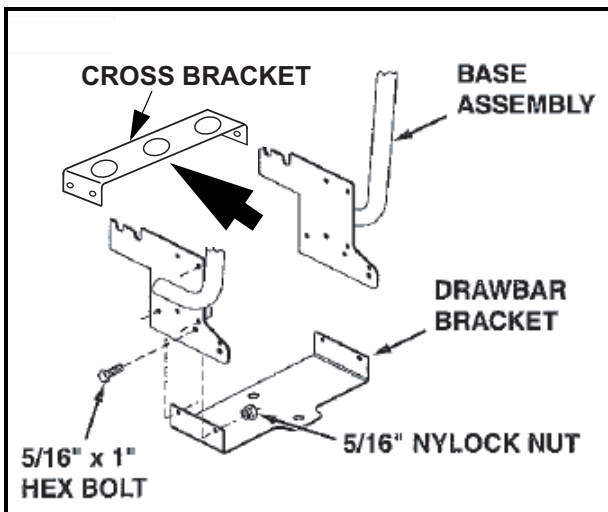
**ACTION REQUIRED:** This advisory is **INFORMATIONAL ONLY**

**PURPOSE:** To provide a mounting bracket for the optional suitcase weights, 759-3389, on the OEM-190-751 Snow Cab Accessory. The OEM-190-751A Snow Cab Accessory comes with the suitcase weight bracket.

**DISCUSSION:**

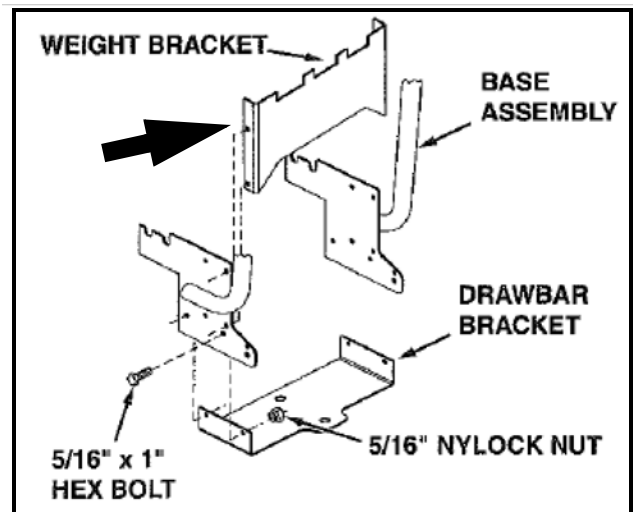
The OEM-190-751 Snow Cab Accessory cross bracket (see Figure 1) does not provide a mounting surface for the optional suitcase weights.

Service Kit **753-06049** provides a new bracket, hardware and a new Operator's Manual. See attached service kit instruction sheet. The new Operator's Manual shows the installation of the suitcase weights bracket (see Figure 2) in lieu of the cross bracket.



OEM-190-751 Configuration

FIGURE 1



OEM-190-751A Configuration

FIGURE 2

SERVICE MANAGER	PARTS MANAGER	SALES MANAGER	SERVICE TECH.	SERVICE TECH.

Circulate and Initial



# Service Kit 753-06049

Date: 11/18/2008

Subject: Suitcase Weight Bracket Upgrade

Models Affected: 2007 and earlier production  
OEM-190-751 Tractor Snow Cab  
Accessory

**Read through and understand these instructions completely before proceeding with repair.**

**PURPOSE:** This service kit contains the components necessary to update the 2007 and earlier OEM-190-751 Tractor Snow Cab accessory to a OEM-190-751A to accept the new suitcase style rear weights. Included is a new OEM-190-751A Operator's Manual to replace the existing OEM-190-751 Operator's Manual.

**NOTE:** These materials are prepared for use by trained technicians who are experienced in the service and repair of equipment of the kind described in this publication, and are not intended for use by untrained or inexperienced individuals. Such individuals should seek the assistance of an authorized service technician or dealer.

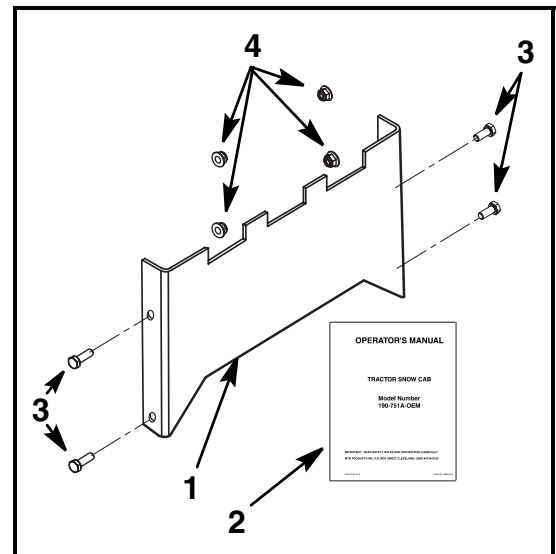
**NOTE:** Save this Instruction Sheet. Refer to it when ordering replacement parts.

**Items 1 and 2 of the Service Kit Contents are manufactured by Agri-Fab. Replacement parts for the those items and the Tractor Snow Cab should be purchased on-line through Agri-Fab at "https://www.speedepart.com" or call 1-800-448-9282**

## Service Kit Contents (See Figure 1)

ITEM NO.	PART NUMBER	QTY	DESCRIPTION
1	25703	1	BRACKET: WEIGHTS: SUITCASE
2	49829	1	MANUAL: INSTRUCTION: OEM-190-751A
3	710-0376	4	BOLT: 5/16"-18 x 1.0": GR5: STD
4	712-04063	4	NUT: FLANGE LOCK: 5/16"-18: NYLON
5	*	1	THIS INSTRUCTION SHEET

\* - Not Available Separately



**FIGURE 1**

### Instructions:

1. Remove the contents of this service kit and check to ensure all parts listed in the Service Kits Contents table above are present.
2. Locate the Operator's Manual for the OEM-190-751 in the Tractor Snow Cab carton. Discard the OEM-190-751 Operator's Manual and replace with the Operator's Manual for the OEM-190-751A included with this kit.
3. Proceed to install the Tractor Snow Cab to your tractor using the OEM-190-751A Operator's Manual.