



Service Advisory

CHORE PERFORMERS

W-154

Models Affected: W-83MC (12AV83MC790).

Serial Number Range Affected: Not Available

Date: **October 31, 2007**

Subject: **Input Pulley Differences On The 618-04378 & 618-04378A Transmissions.**

IMPORTANT ATTENTION PARTS MANAGER ATTENTION SERVICE MANAGER

PURPOSE: To define the external differences between the 618-04378 & 618-04378A transmission input shaft & pulley.

The 618-04378 & 618-04378A transmissions are interchangeable. If it becomes necessary to replace the transmission's input pulley, make note of the existing pulley's center mounting hole configuration & order the appropriate pulley. Also note that the threads on the end of the input shaft & mounting hardware are also different.

Difference shown in Figure 1 on the reverse side of this Advisory.

This Advisory is being released for informational purposes only.

SERVICE MANAGER	PARTS MANAGER	SALES MANAGER	SERVICE TECH.	SERVICE TECH.

Circulate and Initial

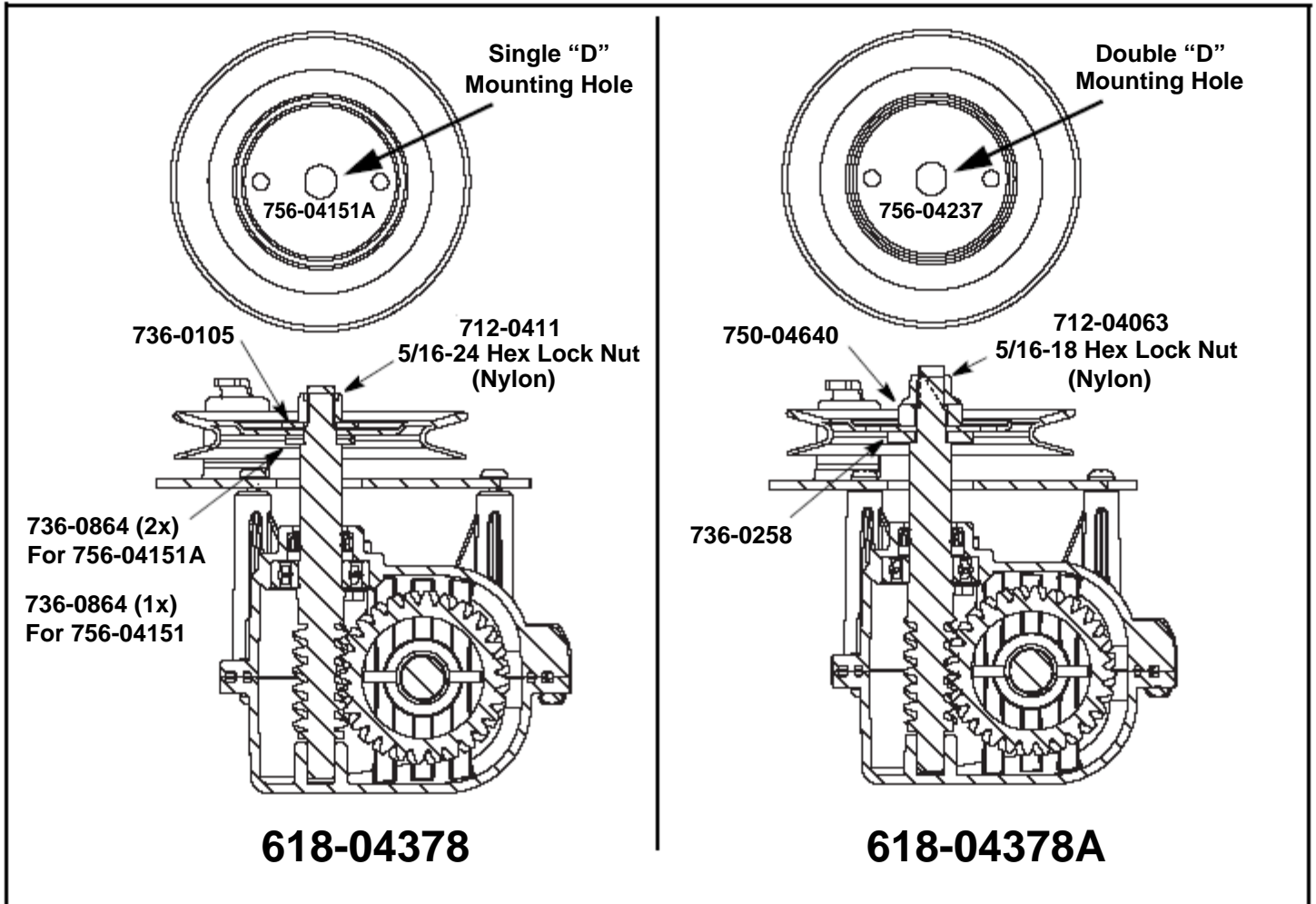


FIGURE 1