



Service Advisory

MTD-073

(Walk Behind Mowers - Self Propelled)

Models Affected: N/A
Serial Number Range Affected: N/A
Date: 10/11/2007
Subject: Input Pulley Differences on the 618-04378 and 618-04378A Transmissions

ACTION REQUIRED: This advisory is **INFORMATIONAL ONLY**

PURPOSE: To define the external differences between the 618-04378 and 618-04378A transmissions input shaft and pulley

DISCUSSION:

The 618-04378 and 618-04378A transmissions are interchangeable. If it becomes necessary to replace the transmission's input pulley, make note of the existing pulley's center mounting hole configuration and order the appropriate pulley. Note that the threads on the end of the input shaft and mounting hardware are also different.

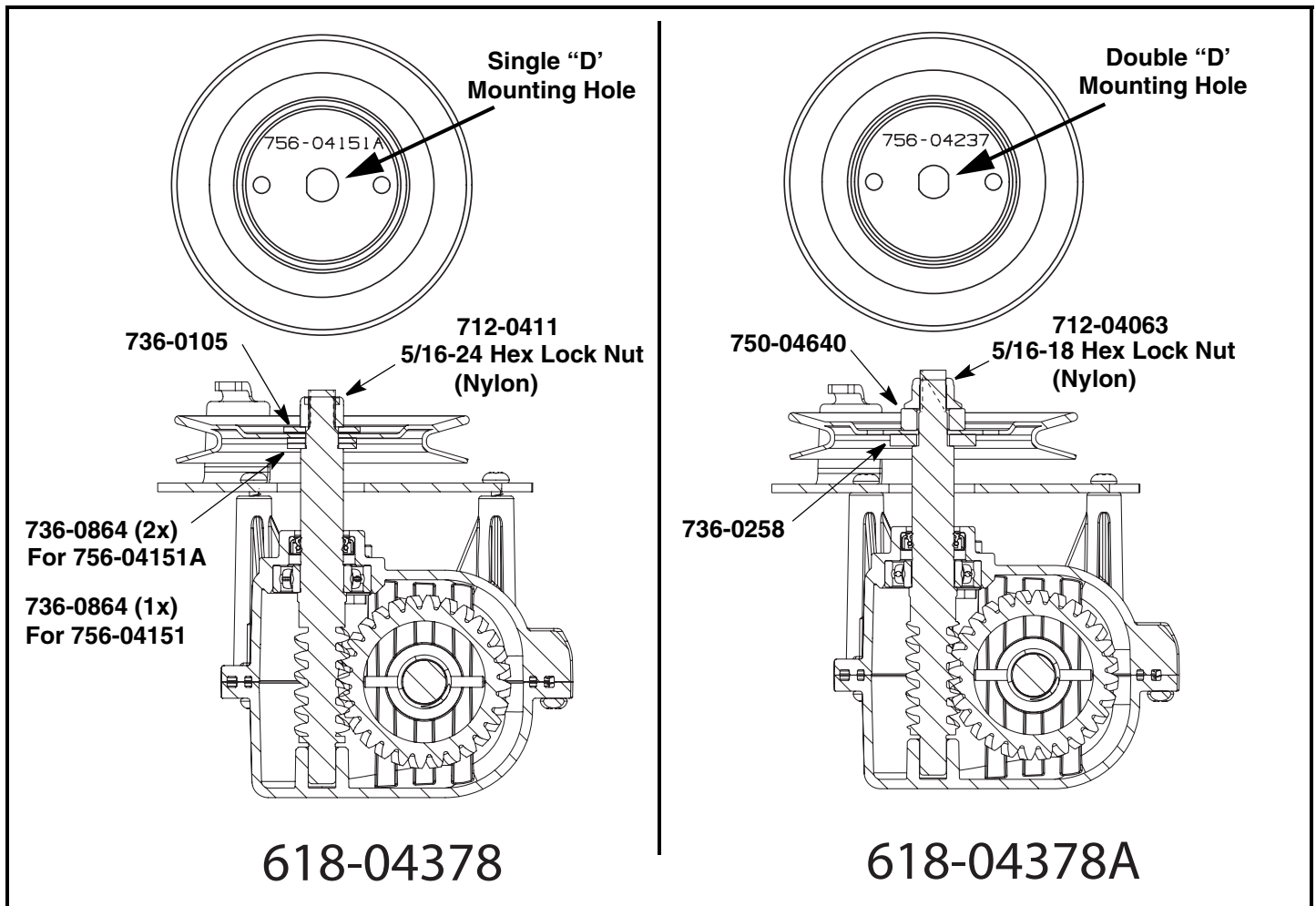


FIGURE 1