



# Supplement Sheet

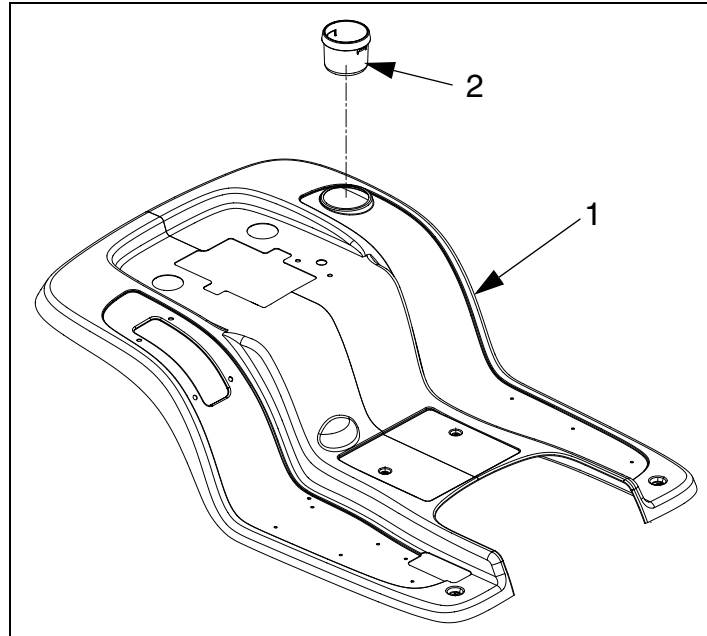
**Date:** May 27, 2004

**Subject:** Replacement for 783-0840A Fender

**Models Affected:** N/A

**PURPOSE:** This supplement sheet defines the replacement fender components for FENDER, P/N 783-0840A, which is No-Longer-Available (NLA).

**NOTE:** *Save this Instruction Sheet. Refer to it when ordering replacement parts.*



## Contents

| REF. NO. | PART NUMBER  | QTY | DESCRIPTION            |
|----------|--|-----|------------------------|
| 1        | 783-04437-0638<br>(MTD RED)<br><br>783-04437-0665<br>(YARDMAN GREEN)<br><br>783-04437-0691<br>(BLACK JACK) | 1   | FENDER: HYDRO: STYLE 7 |
| 2        | 731-04591A   | 1   | HOLDER: CUP            |
| 3        | 769-01286  | 1   | THIS INSTRUCTION SHEET |