

# WHITE Service Advisory w-113

Model: Z16 serial number 1D228G90000 and before

Date: September 2, 1998

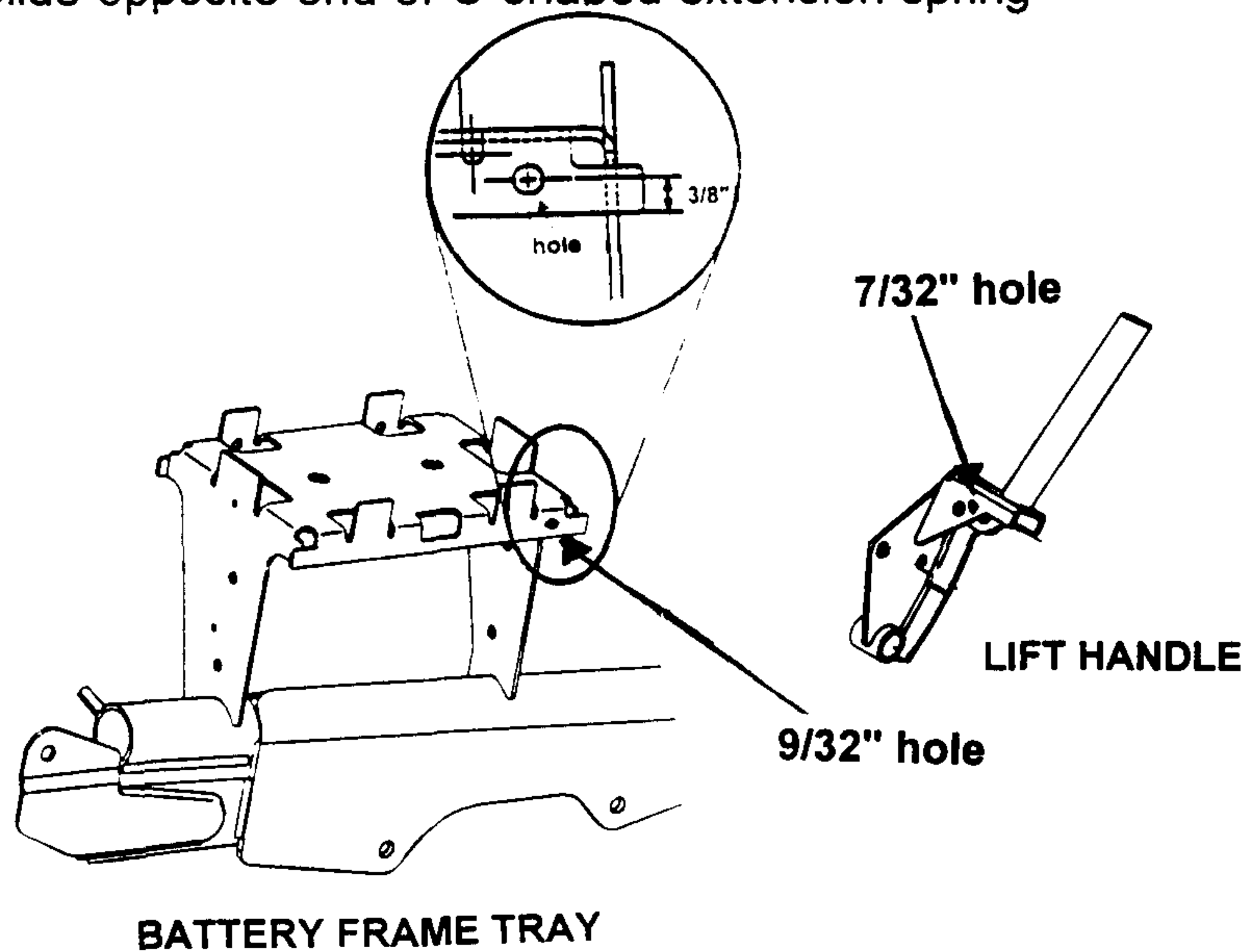
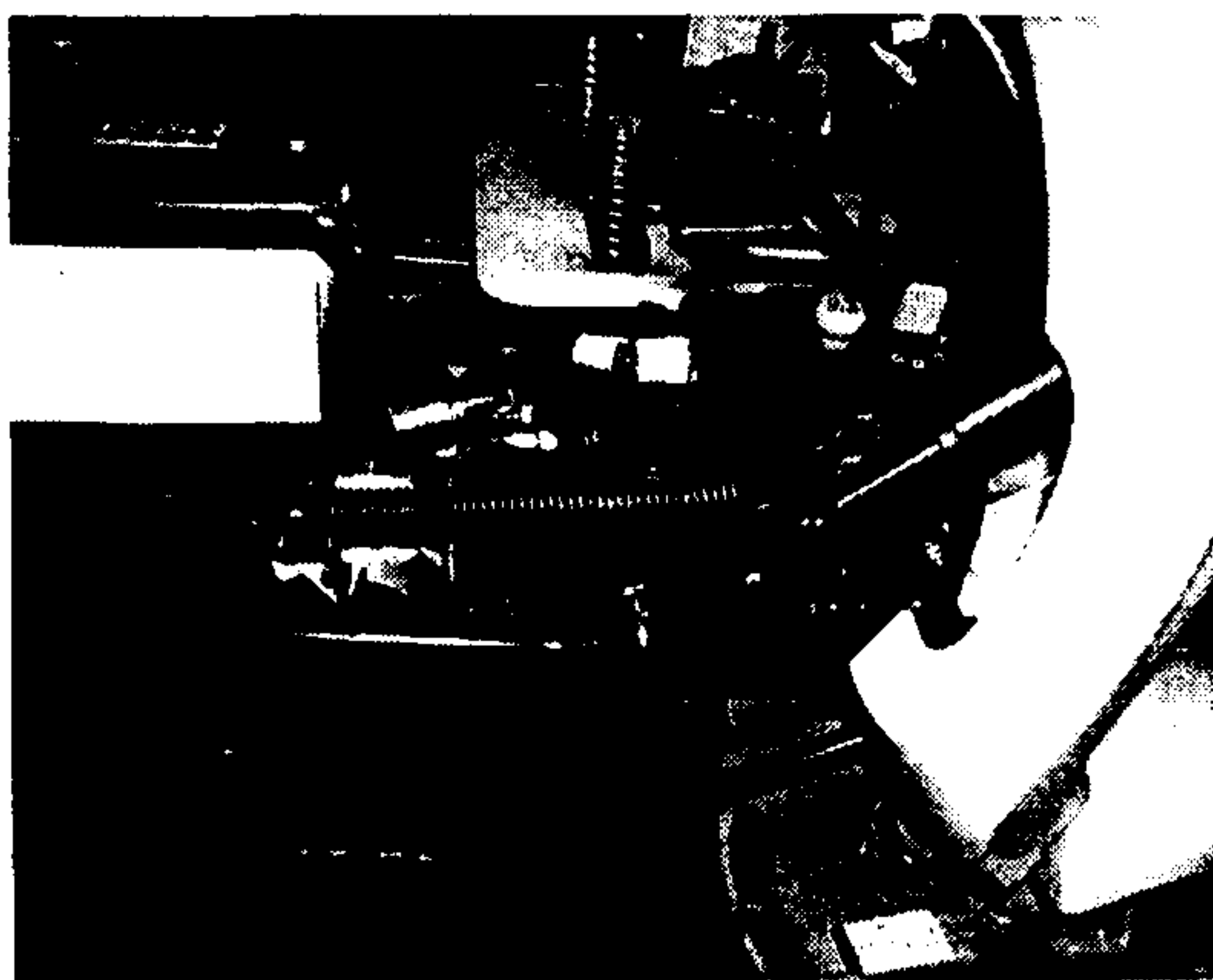
Subject: LIFT ASSIST SPRING

Starting with serial number 1D228G90001, model Z series with 42 inch decks will be fitted with a lift assist spring. This spring will reduce the effort needed to lift the 42 inch deck.

If a customer requires the lift assist spring on a unit produced before April 22, 1998 (D228), order and install the parts listed below.

Parts Required:	Qty	Part Number	Description
	1	932-0556	extension spring
	1	710-0597	1/4"X 1" hex screw
	2	712-3006	1/4" hex nut

Thread one 1/4 inch nut onto the 1/4 inch X 1 inch screw. Refer to photo and illustration below. Using a 9/32 inch drill bit, drill a hole in battery frame tray as shown and insert 1/4 inch screw w/nut through hole. Under the battery frame tray, thread second 1/4 inch nut onto screw so the nut is flush with the end of the threads. Secure screw with outer 1/4 inch nut. Place lift handle in the raised position. Using a 7/32 inch drill bit, drill a hole in lift handle as shown and install U-shaped end of extension spring into hole. Slide opposite end of U-shaped extension spring onto 1/4 inch screw.



**WARRANTY ALLOWANCE:** Normal warranty terms will apply. This is not a mandatory repair. A flat rate of .2 has been established.

Service Manager	Parts Manager	Service Tech.	Service Tech.	Service Tech.

Circulate and Initial