



Service Kit 753-06310

Date: January 5, 2010

Subject: Service Replacement for the
731-1503A Lens

Models Affected: N/A

Read and understand these instructions thoroughly before proceeding.

PURPOSE: This kit supplies a new lens, head light reflector and grill for replacing the 731-1503A headlight lens which is no longer available. The new lens snaps into a grill with tabs in lieu of the pins of the 731-1503A lens. Therefore, a new grill is supplied that will accommodate the new lens tabs. The 753-06310 service kit is available in six (6) grill colors. See the **Color Codes** box below.

NOTE: *These materials are prepared for use by trained technicians who are experienced in the service and repair of equipment of the kind described in this publication, and are not intended for use by untrained or inexperienced individuals. Such individuals should seek the assistance of an authorized service technician or dealer.*

NOTE: *Save this Instruction Sheet. Refer to it when ordering replacement parts.*

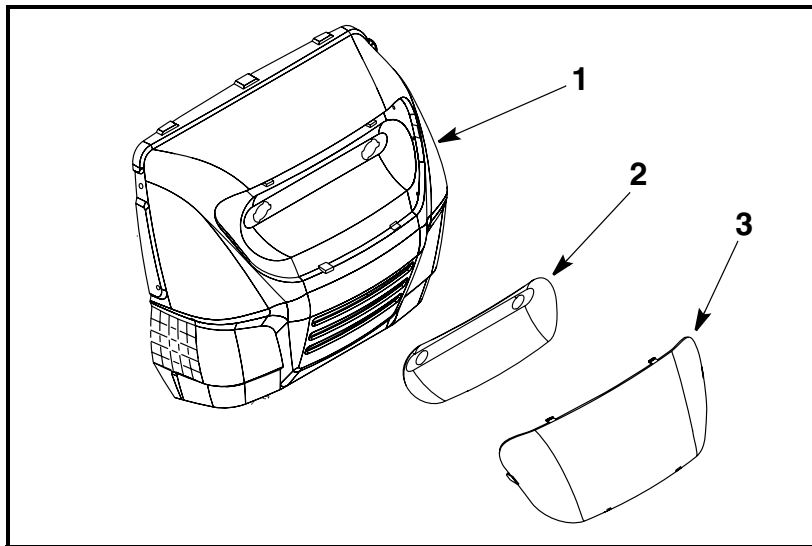


FIGURE 1

Service Kit Contents (See Figure 1)

* - Not Available Separately

ITEM NO.	PART NUMBER	QTY	DESCRIPTION
1	783-05656 #	1	GRILL: 2-STYLE (Add color code to P/N)
2	731-2139	1	REFLECTOR: HEAD LIGHT: 2-STYLE
3	731-06042	1	LENS: 3- STYLE
	*	1	THIS INSTRUCTION SHEET

COLOR CODES

- When ordering a replacement grill, add the appropriate color code suffix to the grill part number...

EXAMPLE: 783-05656-0665 is for a YardMan Green painted grill.

-0638 = MTD Red (for Troy-Bilt also)

-0674 = YardMan Yellow

-0662 = Oyster Gray

-0691 = Black Jack (Gloss Black)

-0665 = YardMan Green

-0709 = MasterCraft Green (for Bolens also)