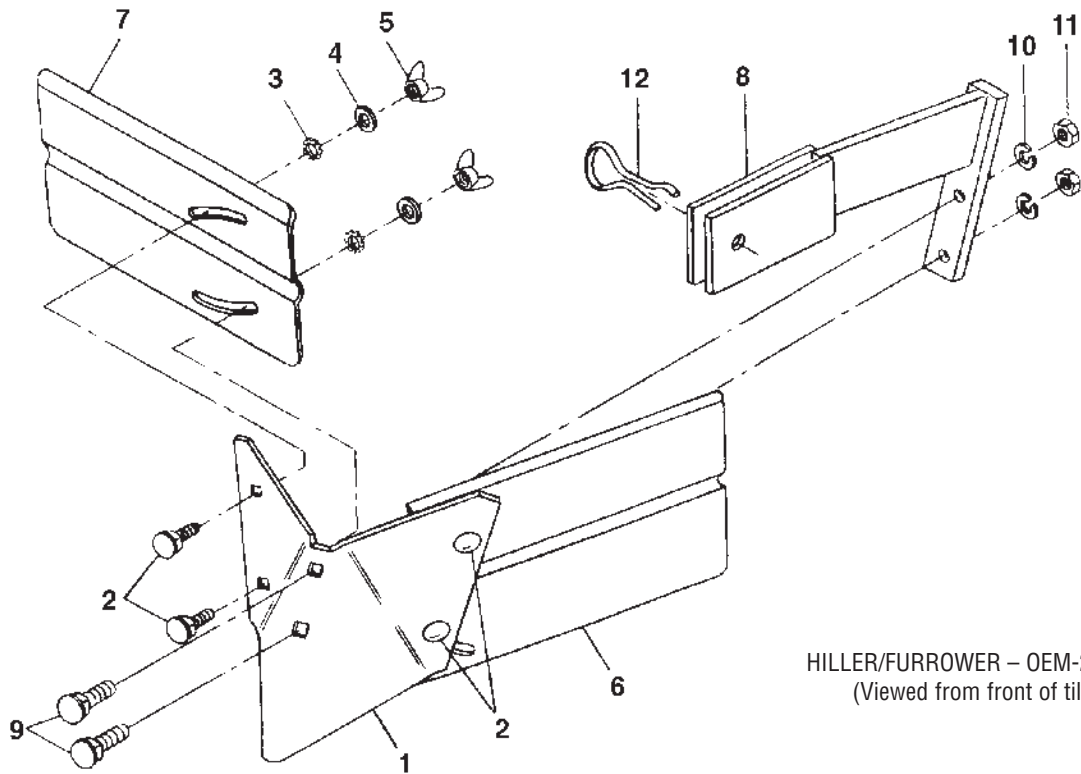




Hiller / Furrower

OEM-290-251 / 290-251-081

The most popular attachment because it does so many jobs. Mounts to the rear of the depth regulator bracket. Furrower blade easily makes plant rows, trenches, ditches to 8" deep. When hiller wings are attached to furrower blade, attachment makes hilled rows and raised bed gardens. Converts from a furrower to a hiller and back again, in seconds, without tools.



HILLER/FURROWER – OEM-290-251
(Viewed from front of tiller)

REF. No.	PART No.	DESCRIPTION	QTY.	REF. No.	PART No.	DESCRIPTION	QTY.
1	1900771	Furrower Blade.....	1	7	1900774	Hiller Wing, right.....	1
2	1186098	Carriage Bolt, 5/16-18 x 3/4.....	4	8	1900772	Blade Mounting Bracket.....	1
3	1177548	Star Washer, External Tooth, 5/16.....	4	9	GW-9725	Carriage Bolt, 3/8-16 x 1-1/2.....	2
4	GW-9902	Plain Washer, 5/16 S.A.E.....	4	10	1100243	Lockwasher, 3/8, plated.....	2
5	GW-9824	Wing Nut, 5/16-18.....	4	11	1186231	Hex Nut, 3/8-16, plated.....	2
6	1900773	Hiller Wing, left.....	1	12	GW-9318	Clinch Pin.....	1

For customer assistance, visit www.troybilt.com, contact your nearest authorized dealer or:

TROY-BILT LLC, P.O. BOX 361131, CLEVELAND, OHIO 44136-0019, 1-866-840-6483