

BORDER/EDGER ATTACHMENT

OEM-290-261 / 290-261-081 for the VersaTiller™

Installation Instructions and Parts List

THANK YOU!

Thank you for ordering a Border/Edger Attachment. To ensure safe and proper installation of the attachment, please read and carefully follow all instructions. If you have any questions or concerns, be sure to contact us for assistance.



CAUTION

TO AVOID INJURY:

- Read the Owner's Manual.
- Know the location and function of all controls.
- Keep all safety devices and shields in place.
- Never allow children or uninstructed adults to operate the machine.
- Shut off engine before unclogging tines or making repairs.
- Keep bystanders away from machine.
- Keep away from rotating parts.

Safety

Before installing the attachment, carefully review the Safety and Operating instructions in the VersaTiller™ Owner's Manual.

Parts List

Check the parts you received with the items shown in Figure 1 and listed below. If any parts are missing or damaged, contact us immediately.

Ref. No.	Part No.	Description	Qty.
A	1911420	Border Edger Tine	1
B	1911450	Wheel Spacer	1
C	1911446	Wheel	1
D	GW-9380	Clevis Pin	2
E	GW-9338	Hair Pin Clip	2

Installation Steps



WARNING

TO AVOID INJURY:

- Before installing or removing the attachment, shut the engine off, allow it to cool, disconnect the spark plug wire and prevent it from touching the spark plug.
- Wear gloves when handling the tines. They may be sharp.

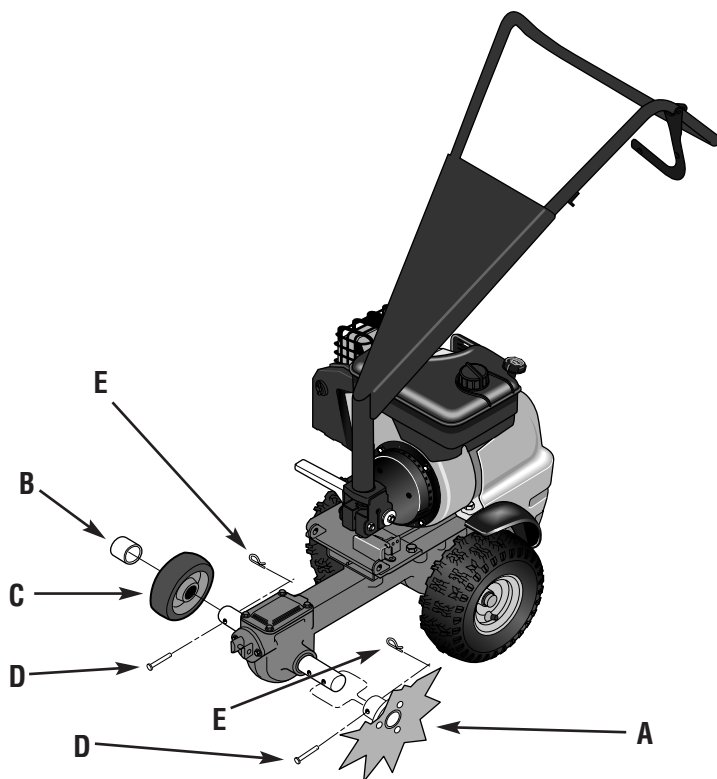


Figure 1: Border/Edger tine and wheel can be switched to either side.

1. Swing handlebars around so they are positioned over the engine— in the front tine cultivator mode position.
2. Remove the tine hood by taking out the hair pin clip and the release pin securing the front of the hood. Tilt the hood back and off.

3. Remove screws and nuts securing the four tine sets to the tine shaft (see your Owner's Manual for specific tine removal instructions). Slide the tine sets off.

4. Use medium grit sandpaper to remove any burrs from the tine shaft. Apply a thin coat of oil to the shaft.

NOTE: The border edger tine can be installed on either side of the machine. Usually it is on the left-hand side for a left-handed person and on the right hand side for a right-handed person. Experiment to see which position best suits your needs.

5. Slide the border/edger tine (A, Figure 1) on the right-hand or left-hand side of the tine shaft. Align the holes in the tine shoulder with the outer hole in the shaft. Insert a clevis pin (D) through the holes. Secure the clevis pin with a hair pin clip (E).

NOTE: This means the shoulder of the border/edger tine faces inward toward the transmission housing.

6. Slide the wheel (C, Figure 1) on the other end of the tine shaft. Then slide the wheel spacer (B) on the tine shaft. Insert a clevis pin (D) through the shaft hole. Secure the clevis pin with a hair pin clip (E).

7. The Border/Edger attachment is now installed and ready for use.

8. When edging jobs are complete, remove the edger attachment and reinstall the four tine gangs. Tighten tine gang hardware securely.

Operation



WARNING

TO AVOID INJURY:

- NEVER operate the machine when barefoot or when wearing sandals, sneakers or other lightweight footwear. ALWAYS wear footwear that will protect your feet and improve traction.
- NEVER carry the machine when the engine is running. Always shut the engine off before transporting the machine.

The Border/Edger Attachment allows you to make clean, sharp edges wherever grass meets a walkway, driveway, terrace, patio, or the edges of planting beds. It's an extremely handy landscaping and yard care tool that attaches quickly to your equipment.

For maximum edging performance:

- Keep the edger blade right up against the surface of the material you're edging against—the walkway, driveway, patio, etc. See Figure 2.
- Keep the edger blade as vertical as possible. In most cases you will operate the unit's wheels on the



Figure 2

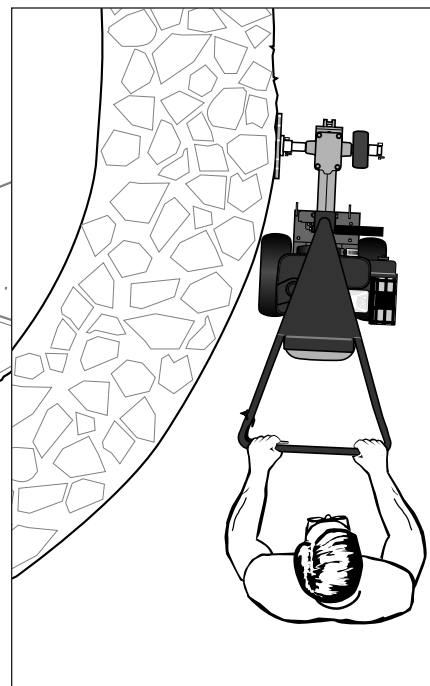


Figure 3

walk, driveway or other hard surface, but there will be instances (such as edging along a curved surface) where

you can achieve a better result if the wheels are on the grass itself. Refer to Figure 3.

For customer assistance, visit www.troybilt.com, contact your nearest authorized dealer or:

TROY-BILT LLC, P.O. BOX 361131, CLEVELAND, OHIO 44136-0019, 1-866-840-6483