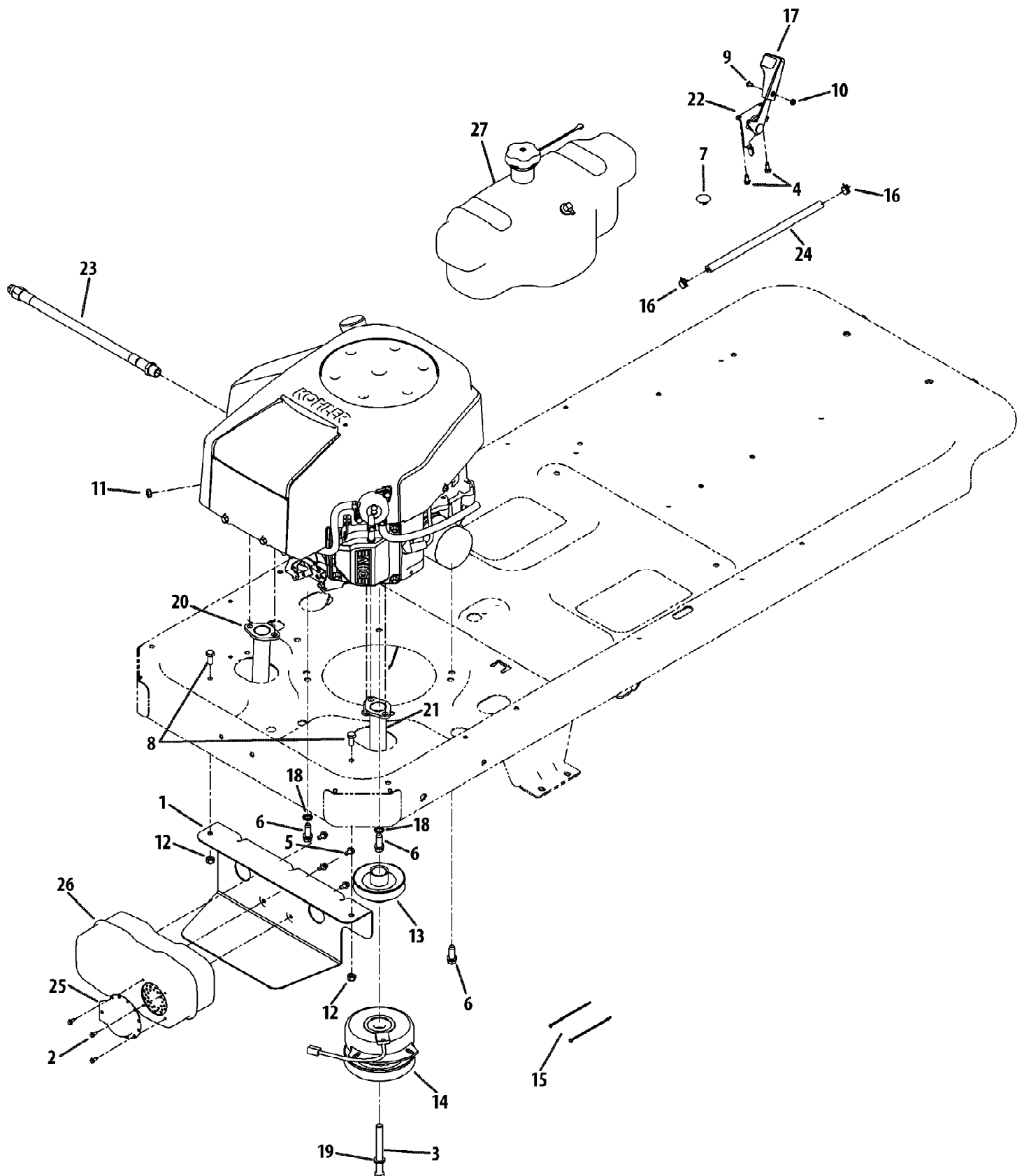


17BF2ACP211 Mustang XP (2010)  
Electrical

Page 2 of 22

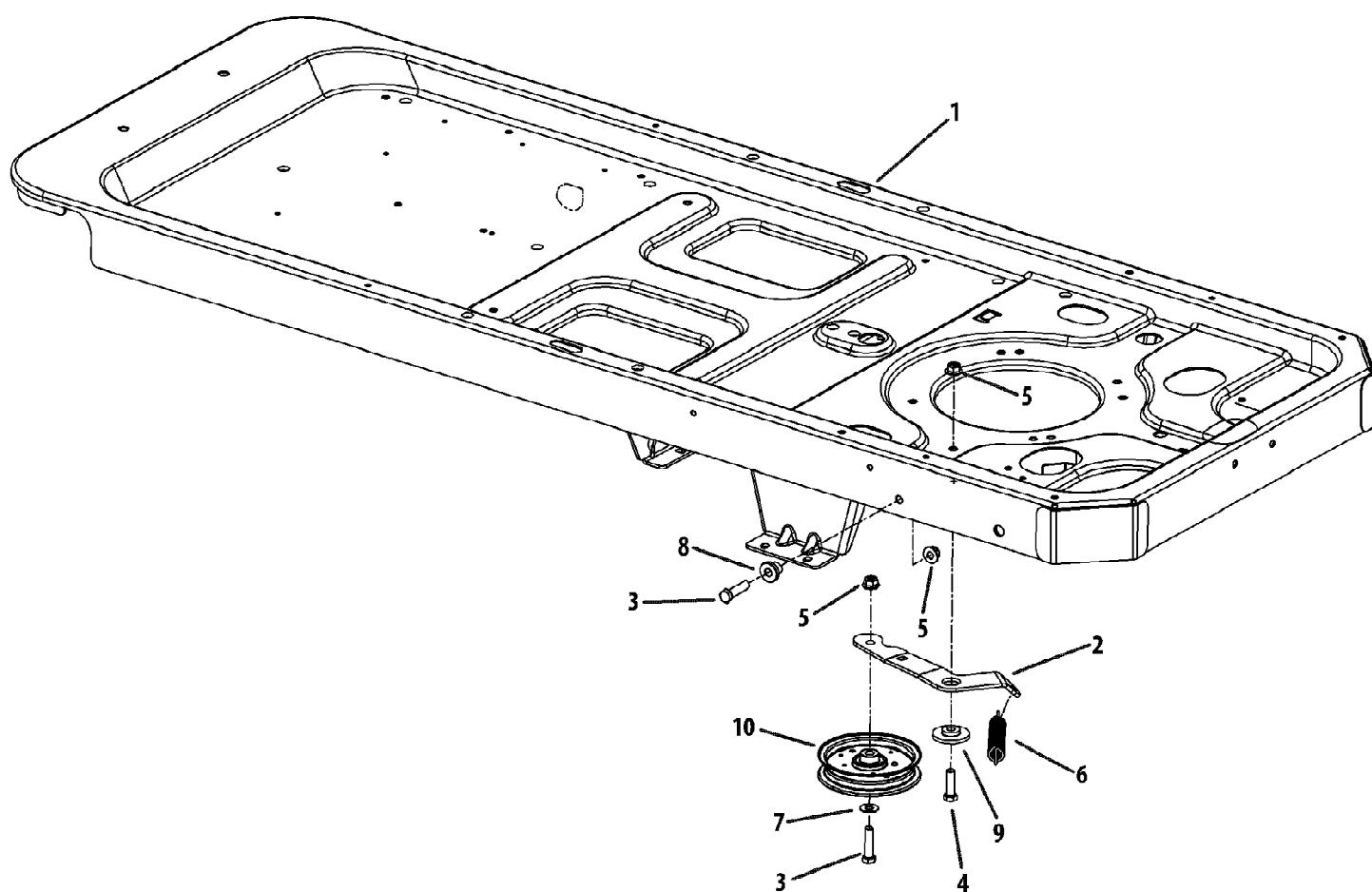
Ref #	Part Number	Qty	S/P/F	Description
1	925-04040	1	/P	Seat Switch
2	710-0653	1	/P	Hex Washer Screw, 1/4-20 x .375
3	710-3015	1	/P	Hex Screw, 1/4-20 x .75
4	712-0271	1	/P	Hex Nut, 1/4-20
5	925-04022B	1	/P	Hour Meter
6	925-04165	1	/P	Double Pole Neutral Switch
7	925-04174	1	/P	PTO Switch
8	925-04228	1	/P	Ignition Switch
9	725-04363	1		Brake/Reverse Interlock Switch
10	725-04439	1		Solenoid
11	925-1745A	1	/P	Key
12	925-1707D	1	/P	Battery
13	726-0470	1		Cable Tie
14	738-04237A	1		Shoulder Screw, #10-32 x .5
	925-04847B	1		Wire Harness Assembly Not Shown



17BF2ACP211 Mustang XP (2010)  
Engine Connections

Page 4 of 22

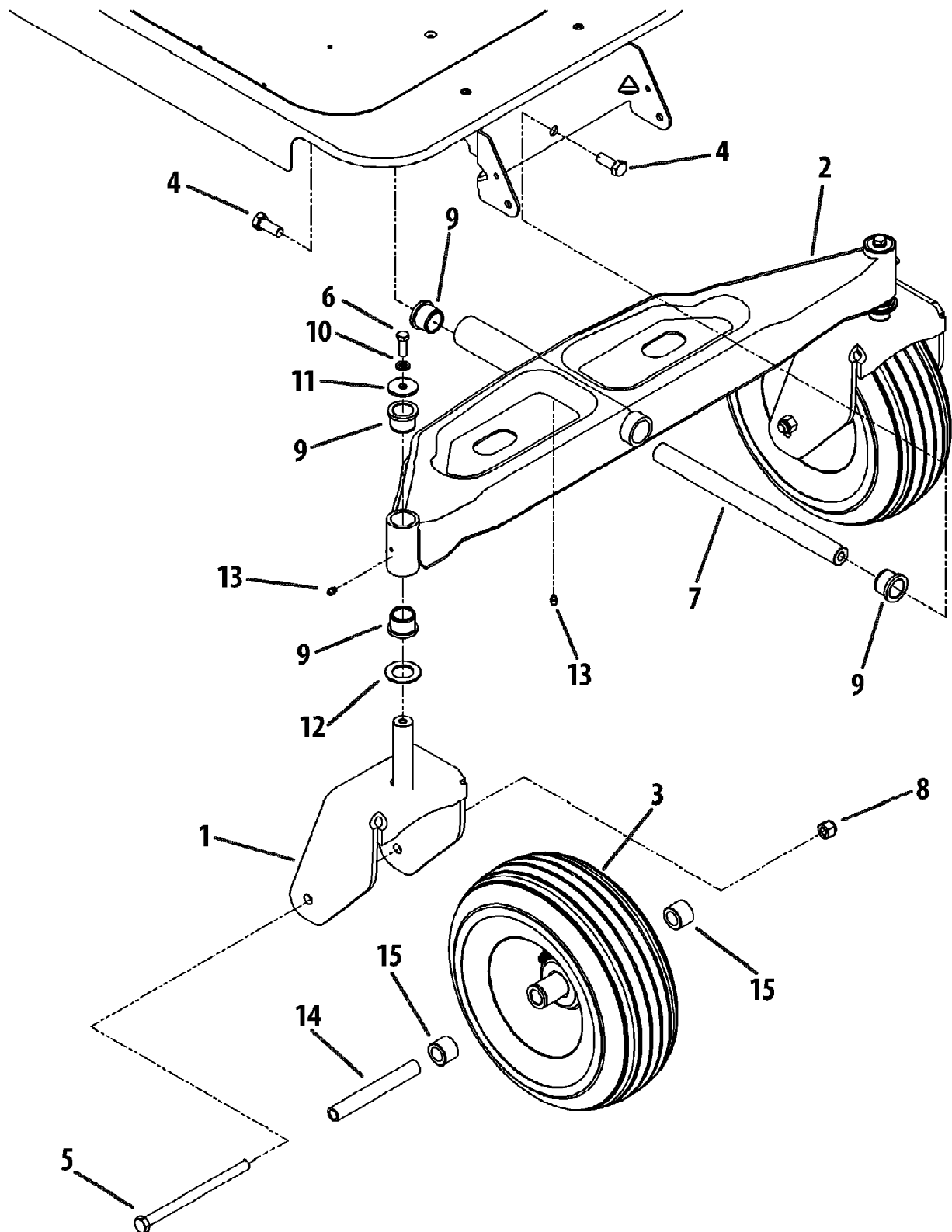
Ref #	Part Number	Qty	S/P/F	Description
1	703-05441A	1	/P	Muffler Mounting Bracket
2	710-0227	1	/P	Hex Washer Screw, #8-18 x .5
3	710-04379A	1		Hex Screw, 7/16-20 x 3.50
4	710-04261	1		Hex Washer Screw, #12-16 x .5
5	710-0599	1	/P	Hex Washer Screw, 1/4-20 x .5
6	710-04683	1		Hex Washer Screw, 3/8-16 x 1.000
7	731-1999	1		Choke Plug
8	710-3008	1	/P	Hex Screw, 5/16-18 x .75
9	710-3217	1	/P	Machine Screw, #8-32 x .375
10	712-0142	1	/P	Hex Nut, #8-32
11	712-0271	1	/P	Hex Nut, 1/4-20
12	912-0429	1	/P	Hex Lock Nut, 5/16-18
13	756-04376	1		Pulley
14	917-04552	1	/P	Electric PTO Clutch
15	726-0197	1		Clutch Wire Tie
16	726-0205	1	/P	Hose Clamp
17	731-04914	1	/P	Throttle Control
18	736-0148	1		Lock Washer, 3/8
19	936-0171	1	/P	Lock Washer, 7/16
20	751-10253	1		Exhaust Pipe, LH
21	751-10254	1		Exhaust Pipe, RH
22	746-04539	1		Throttle/Choke Cable
23	751-10291	1		Oil Drain Extension Hose
24	751-10349	1		Fuel Line Hose
25	751-0564B	1	/P	Muffler Deflector
26	751-0616B	1	/P	Muffler
27	N/A	1		Fuel Tank Assembly
27	935-0149	1	/P	Fuel Tank Bushing
27	751-10442	1		Fuel Pick-Up Fitting
27	751-10692	1		Fuel Tank
27	751-10703A	1	/P	Fuel Cap



17BF2ACP211 Mustang XP (2010)  
Frame Assembly

Page 6 of 22

Ref #	Part Number	Qty	S/P/F	Description
1	603-04691-4033	1		Frame
2	703-05829	1	/P	Idler Arm
3	710-0520	1	/P	Hex Cap Screw, 3/8-16 x 1.5
4	710-3005	1	/P	Hex Cap Screw, 3/8-16 x 1.25
5	712-04065	1	/P	Hex Flange Lock Nut, 3/8-16
6	732-0626	1		Extension Spring, .75 x 5.06
7	936-0300	1	/P	Flat Washer, .406 x .875 x .059
8	738-04058	1		Shoulder Spacer, .38 x 1.0 x .7
9	738-04162A	1	/P	Shoulder Spacer, .884 x 1.9
10	756-04129B	1	/P	Idler Pulley



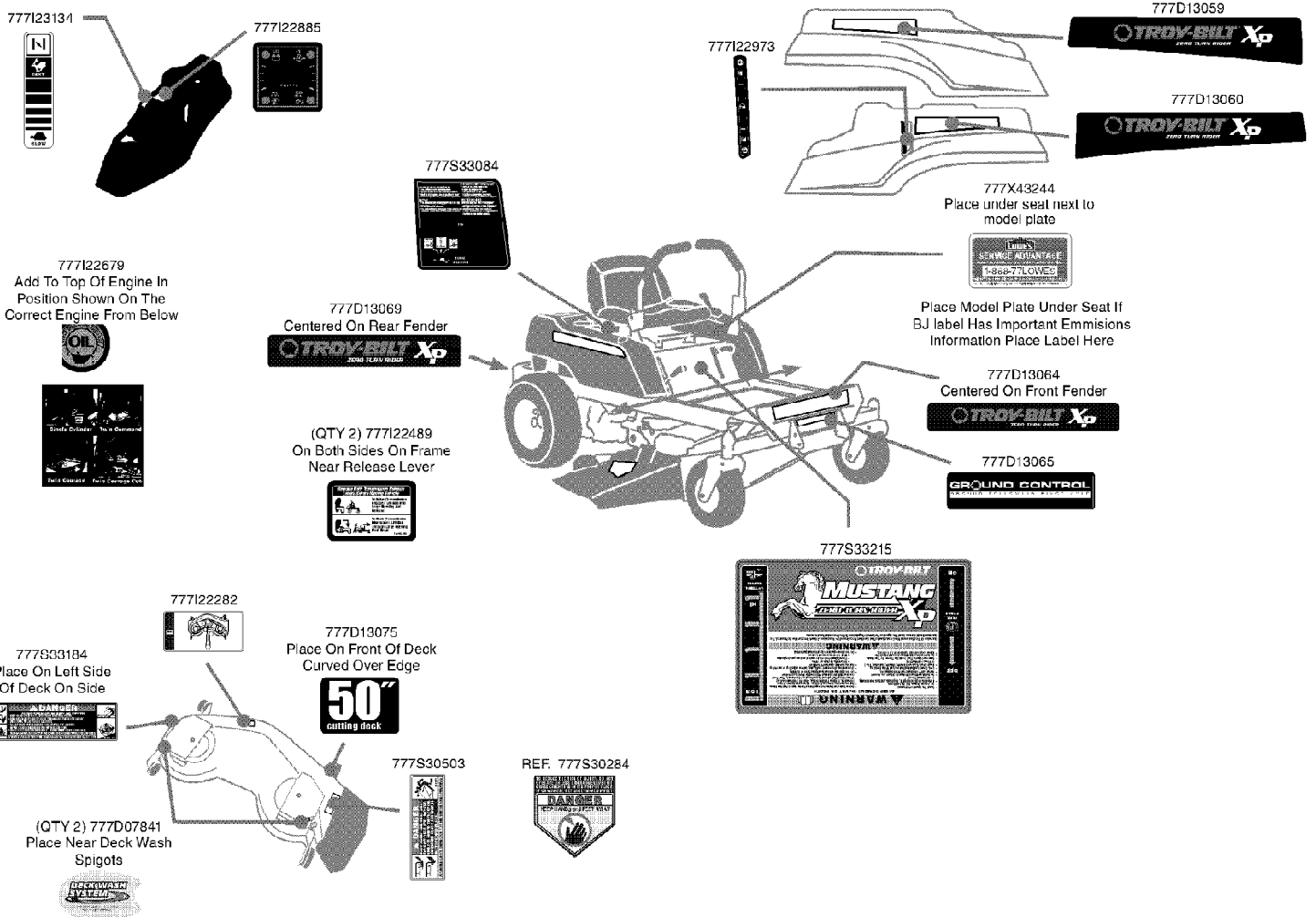
17BF2ACP211 Mustang XP (2010)  
Front Axle

Page 8 of 22

Ref #	Part Number	Qty	S/P/F	Description
1	603-04370-0638	1		Castor Wheel Bracket
2	603-04385A-0638	1	/P	Front Pivot Axle
3	634-04321A-0911	1		Wheel Assembly, 13 x 5-6 with 734-04255A tire
3	734-04255A	1		Tire, 13 x 5-6 Ribbed If the tire being replaced is Ribbed, use this tire
3	02002105	1		Tire, 13 x 5-6 Smooth If the tire being replaced is Smooth, use this tire
4	710-04186	1	/P	Hex Lock Screw, 1/2-13 x 1.25
5	710-04652	1		Hex Cap Screw, 1/2-20 x 7.25
6	710-0514	1	/P	Hex Cap Screw, 3/8-16 x 1.0
7	911-04228	1	/P	Axle Shaft
8	912-3058	1		Hex Insert Lock Nut, 1/2-13
9	731-05500	1		Flange Bearing, 1.0 x 1.246
10	936-0169	1	/P	Lock Washer, 3/8
11	936-0227	1	/P	Flat Washer, .39 x 1.5 x .134
12	736-0250	1	/P	Flat Washer, 1.0 x 1.75 x .10
13	937-3000	1	/P	Lube Fitting, 3/16 Drive
14	750-04775A	1	/P	Spacer, .51 x .75 x 5.825
15	750-04792	1		Hub, .76 x 1.23 x .92

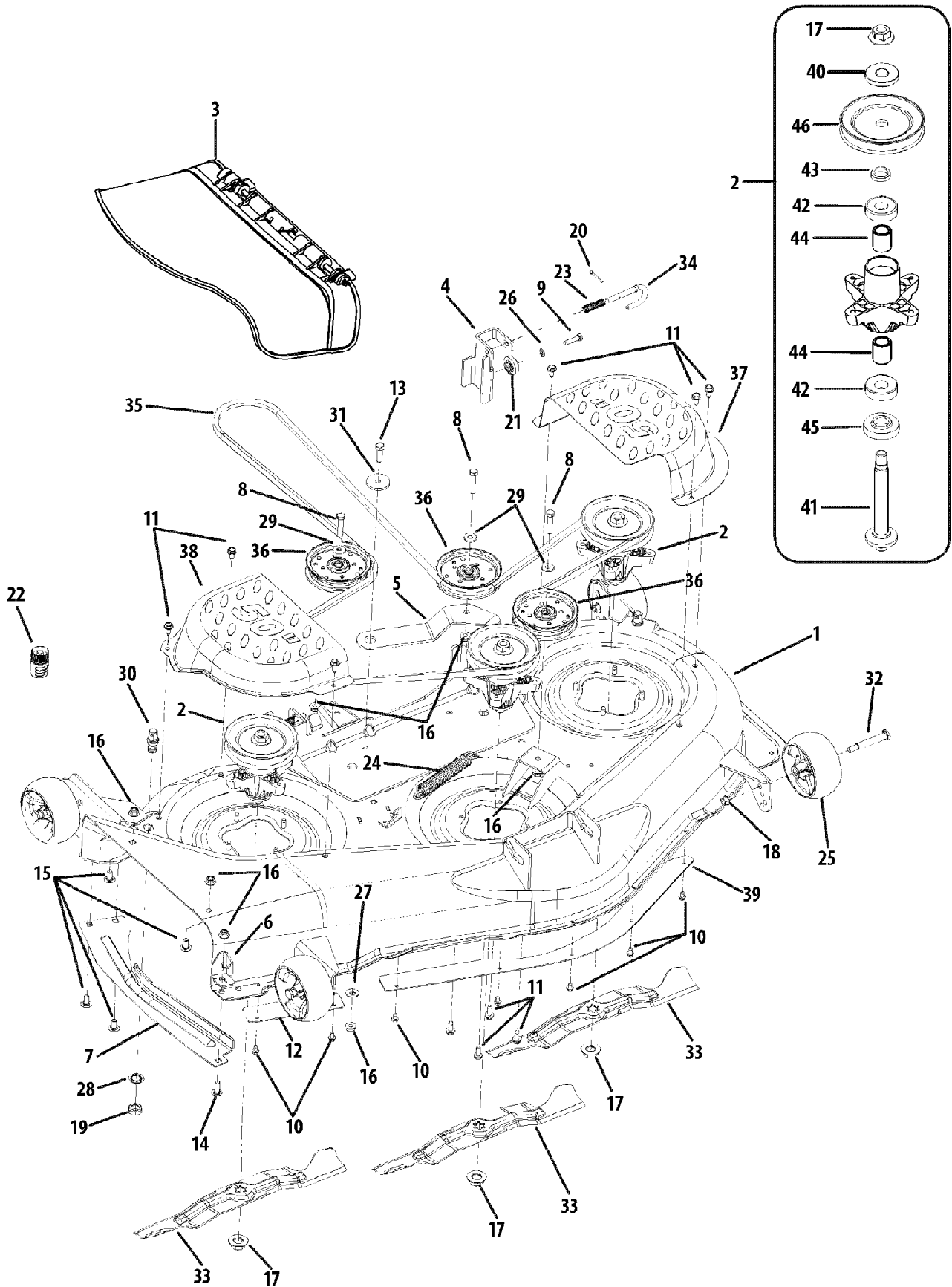


17BF2ACP211 Mustang XP (2010)  
Label Map



Ref #	Part Number	Qty	S/P/F	Description
777I23134	777I23134	1		LABEL-THROTT/CHOKE LH POD
777I22885	777I22885	1		LABEL-HOUR METER LH POD
777I22679	777I22679	1		LABEL-CHECK ENG OI
777S33084	777S33084	1		LABEL-START INSTR RH POD
777D13069	777D13069	1		LABEL-REAR FRAME TROY-BILT XP RZT
777I22489	777I22489	1		LABEL-TRNMSN RELEASE
777D07841	777D07841	1		LABEL: RIDER DECK
777S33184	777S33184	1		LABEL-DECK SAFETY
777I22282	977I22282	1	/P	LABEL-BELT ROUTE
777D13075	777D13075	1		LABEL-50"CUT FLINT T-BILT
777S30503	777S30503	1	/P	LABEL-DANGER CHUTE
777S30284	977S30145	1	/P	LABEL
777S33215	777S33215	1		LABEL-RDR SAFETY MUSTANG XP
777D13065	777D13065	1		LABEL-RXT AXLE PIVOT TROY-BILT
777D13064	777D13064	1		LABEL-FRONT FRAME TROY BILT XP
777X43244	777X43244	1		LABEL-LOWE'S SERVICE ADVANTAGE
777D13060	777D13060	1		LABEL-TROY BILT XP LH POD
777D13059	777D13059	1		LABEL-TROY BILT XP RH POD
777I22973	777I22973	1		LABEL-FUEL LEVEL LH POD

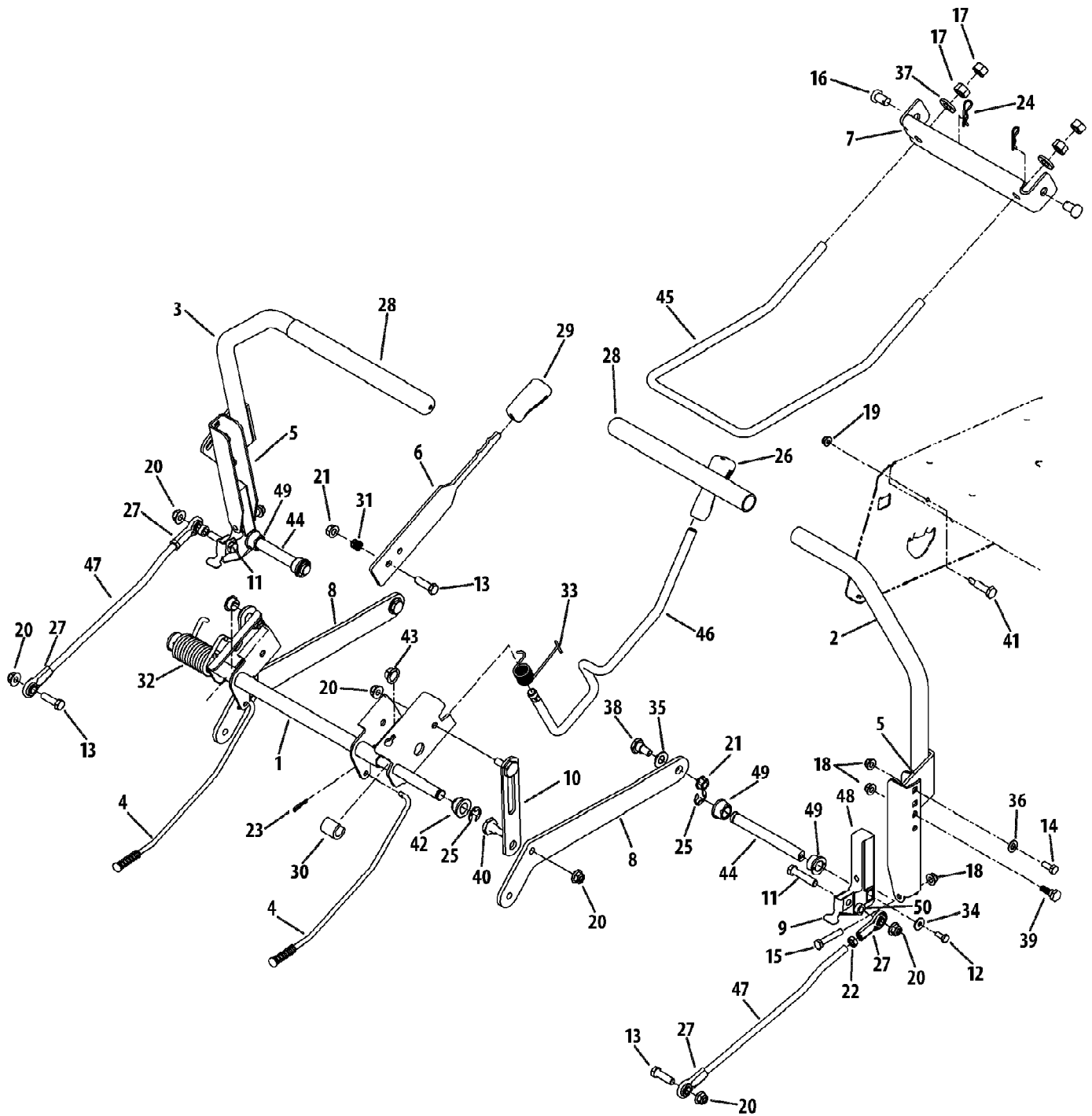
17BF2ACP211 Mustang XP (2010)  
Mower Deck



17BF2ACP211 Mustang XP (2010)  
Mower Deck

Page 12 of 22

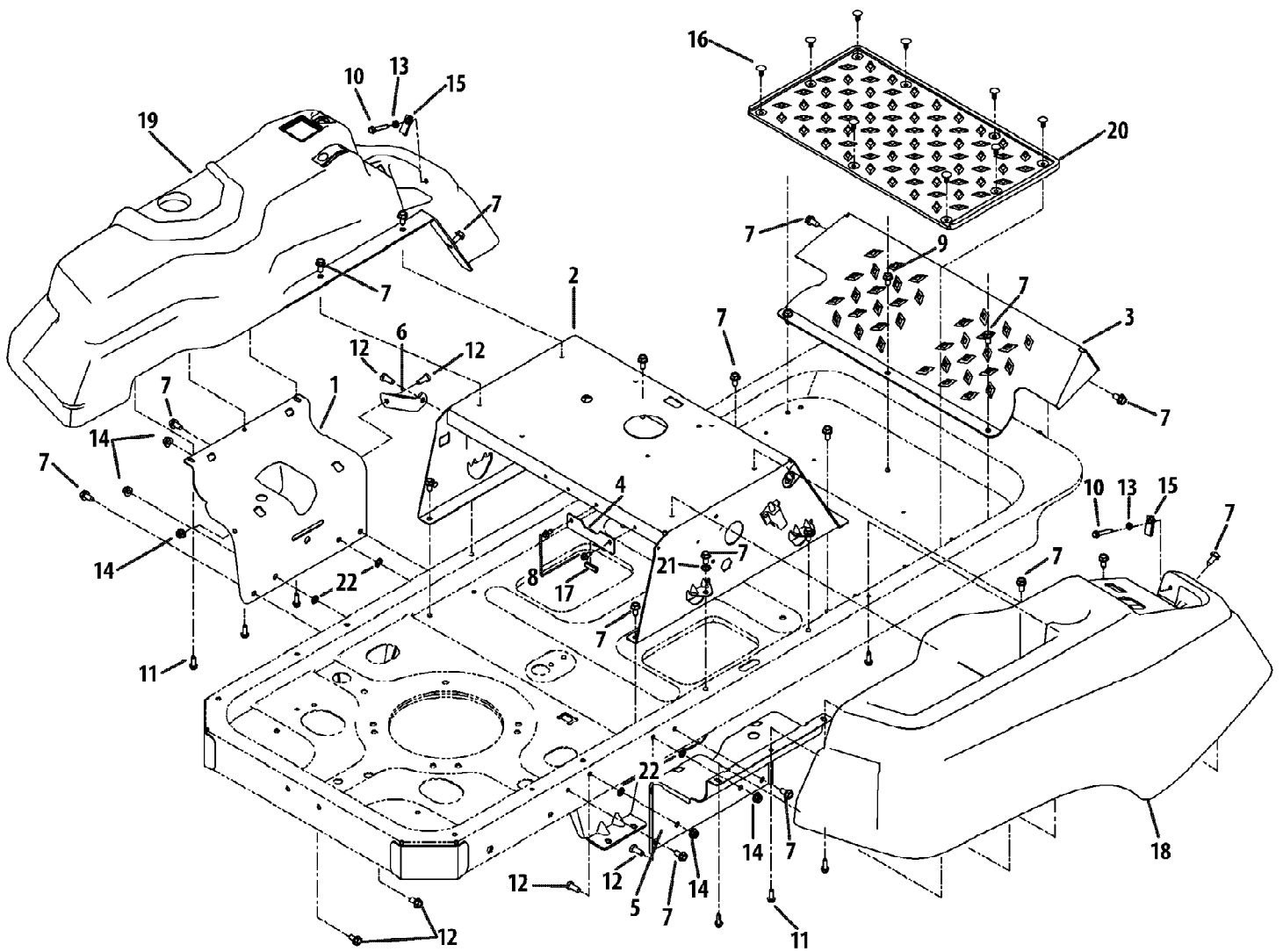
Ref #	Part Number	Qty	S/P/F	Description
1	903-04328A-4033	1	/P	Deck Housing
2	918-04126B	1	/P	Spindle Assembly
3	631-04070A	1	/P	Discharge Chute Assembly
4	683-0254B-4033	1		Deck Hanger Bracket
5	703-05825B-4033	1		Idler Arm
6	703-3279-4033	1		Stop Bracket
7	703-3511A-0637	1	/P	Finger Guard
8	710-0347	1	/P	Hex Cap Screw, 3/8-16 x 1.75
9	710-0528	1	/P	Hex Cap Screw, 5/16-18 x 1.25
10	710-0599	1	/P	Hex Washer Head Screw, 1/4-20 x .5
11	710-04484	1		Hex Washer Head Screw, 5/16-18 x .750
12	783-04415-4033	1		Skirt, RH
13	710-3005	1	/P	Hex Cap Screw, 3/8-16 x 1.25
14	710-04095	1		Hex Screw, 3/8-16 x 1.00
15	710-3178	1	/P	Carriage Screw, 3/8-16 x .75
16	712-04065	1	/P	Hex Insert Flange Lock Nut, 3/8-16
17	712-0417A	1	/P	Hex Flange Nut, 5/8-18
18	912-0431	1	/P	Hex Flange Lock Nut, 3/8-16
19	912-0641	1	/P	Hex Nut, M16-1.5
20	914-0470	1	/P	Cotter Pin, 1/8 x 1.25
21	917-04074	1	/P	Deck Adjustment Gear
22	921-04041	1	/P	Water Nozzle Adapter
23	732-04652	1		Compression Spring, .535 x 1.75
24	732-04609	1		Extension Spring, .94 x 6.74
25	734-04155	1		Deck Ball Wheel, 5.0
26	936-0119	1	/P	Lock Washer, 5/16
27	736-0407	1		Bell Washer, .45 x 1.0 x .062
28	736-0225	1	/P	Internal Tooth Lock Washer, 5/8
29	736-3072	1	/P	Flat Washer, .38 x .93 x .110
30	737-04003D	1	/P	Deck Wash Nozzle
31	738-04162A	1	/P	Shoulder Spacer, .884 x .190
32	938-3056	1	/P	Shoulder Screw, .5 x 2.5 x 3/8-16
33	942-04053C	1	/P	Blade, 2 in 1, 17.9
34	747-1116	1	/P	Deck Hanger Rod
35	954-04044A	1	/P	V-Belt
36	756-04129B	1	/P	Idler Pulley, 4.25 Dia
37	783-04399-4033	1		Belt Cover, LH
38	783-04400-4033	1		Belt Cover, RH
39	783-04414A-4033	1		Center Skirt
40	736-0315	1	/P	Flat Washer, .76 x 1.50 x .12
41	738-1010A	1	/P	Spindle Shaft, 5.75
42	941-0919	1	/P	Ball Bearing
43	748-0160A	1		Spacer, .79 x 1.25 x .175
44	750-1000	1		Spacer, .80 x 1.10 x 1.32
45	750-1349A	1	/P	Spacer, .79 x 1.82 x .55
46	756-04216	1		V-Type Pulley, 5.39



17BF2ACP211 Mustang XP (2010)  
Operator's Control

Page 14 of 22

Ref #	Part Number	Qty	S/P/F	Description
1	603-04160B-0637	1	/P	Deck Lift Shift Assembly
2	603-04322-0638	1		RH Lapbar Lever Assembly
3	603-04324-0638	1		LH Lapbar Lever Assembly
4	947-04065	1	/P	Brake Rod Assembly
5	703-05387B	1	/P	Lapbar Pivot Bracket
6	703-05396A-0637	1	/P	Brake/Shabs Handle
7	703-05414A-4033	1		Front Deck Hanger Bracket
8	703-05793A-4033	1		Deck Lift Arm Plate
9	703-06096A	1		Switch Actuator Bracket
10	703-06169-0637	1	/P	Lift Link Plate
11	710-0347	1	/P	Hex Screw, 3/8-16 x 1.75
12	710-0433	1	/P	Hex Screw, 1/4-20 x .625
13	710-3005	1	/P	Hex Screw, 3/8-16 x 1.25
14	710-3008	1	/P	Hex Screw, 5/16-18 x .75
15	710-3180	1	/P	Hex Screw, 5/16-18 x 1.75
16	911-0332	1	/P	Clevis Pin, .50 x .78
17	912-0206	1	/P	Hex Nut, 1/2-13
18	712-04063	1	/P	Flange Lock Nut, 5/16-18
19	712-04064	1	/P	Flange Lock Nut, 1/4-20
20	712-04065	1	/P	Flange Lock Nut, 3/8-16
21	912-0431	1	/P	Flange Lock Nut, 3/8-16
22	912-3001	1	/P	Jam Nut, 3/8-24
23	714-04040	1		Bow-Tie Cotter Pin
24	914-04023	1	/P	Cotter Pin, .080 x 1.5625
25	716-0106	1	/P	E-Ring
26	720-0311	1		Handle Grip
27	723-04035	1		Rod End
28	731-04719A	1	/P	Lapbar Grip
29	731-04735	1		Selector Handle
30	731-05732	1		Spacer, .621 x 1.00
31	932-0334	1	/P	Compression Spring, .50 x .50
32	732-04420	1		Torsion Spring, 1.19 x 2.78
33	732-0874	1	/P	Torsion Spring
34	736-0270	1	/P	Bell Washer, .265 x .75 x .062
35	936-0272	1	/P	Flat Washer, .510 x 1.00 x .060
36	936-0275	1	/P	Flat Washer, .344 x .688 x .065
37	736-3019	1		Flat Washer, .531 x 1.062 x .134
38	736-0143	1		Shoulder Bolt, 3/8-16 x .496 x .336
39	938-0296	1	/P	Shoulder Screw, 5/16-18 x .437 x .268
40	938-0507B	1	/P	Shoulder Screw, .500 x .434
41	938-0572	1	/P	Shoulder Screw, .374 x 1.16
42	941-0225	1	/P	Hex Flange Bearing
43	741-3074	1		Flange Bearing, .626 x .938 x .344
44	747-04226A	1	/P	Shaft Control
45	747-04401A	1		Front Hanger Deck Lift Rod
46	747-04637	1		Deck Lift Handle Rod
47	747-05057	1		Lapbar Rod Control
48	748-04169A	1		Control Hub
49	948-0227A	1	/P	Hex Flange Bearing
50	750-04776	1		Spacer, .380 x .625 x .265

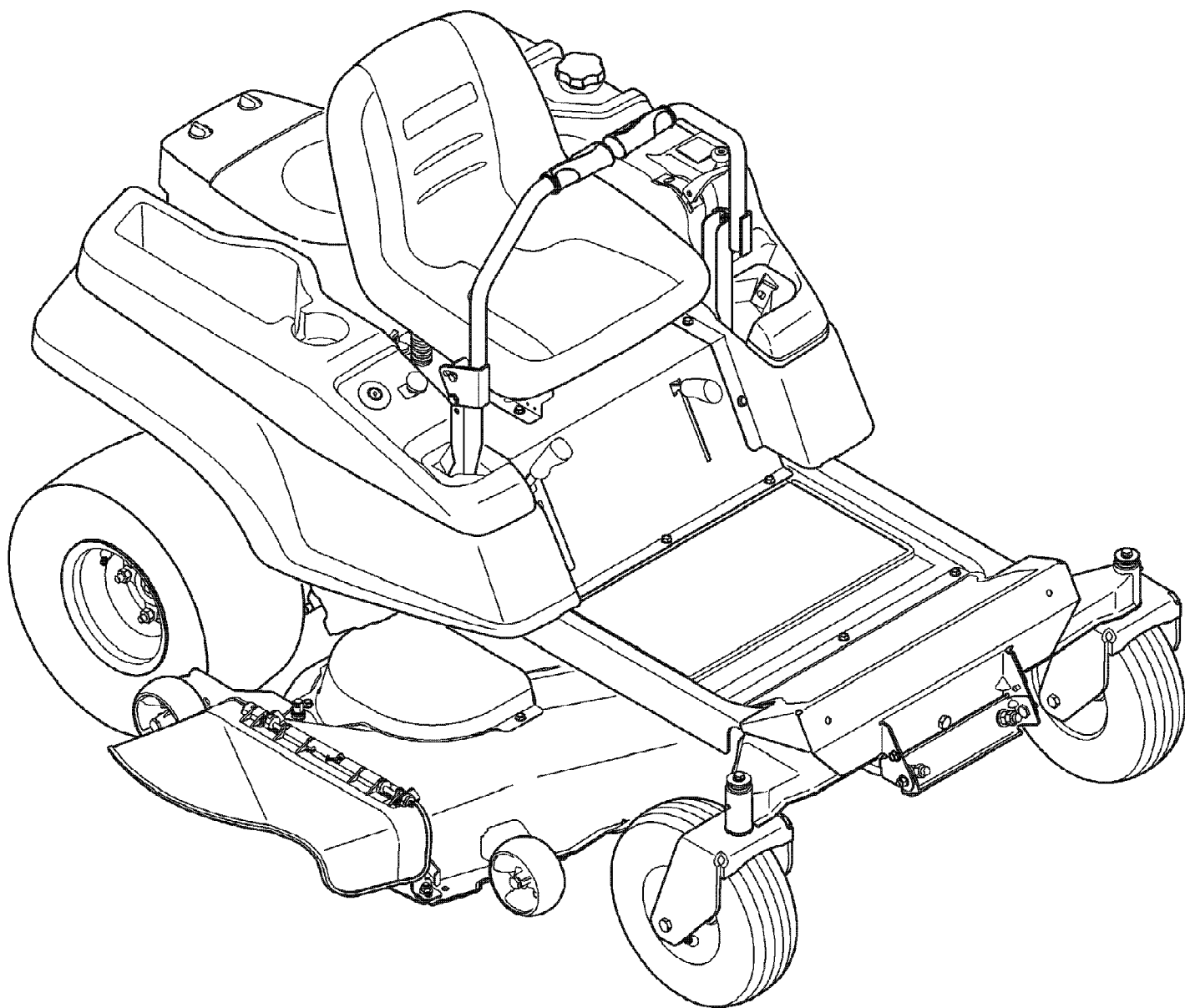


17BF2ACP211 Mustang XP (2010)  
Operator's Platform

Page 16 of 22

Ref #	Part Number	Qty	S/P/F	Description
1	603-04564-4033	1		Console Bracket Assembly
2	603-04663-4033	1		Seat Frame Assembly
3	703-05373B-4033	1		Foot Rest Bracket
4	703-05894-0637	1	/P	Battery Hold-Down Bracket
5	703-06451-4033	1		Console Mount Bracket
6	703-06623-0637	1	/P	Fuel Tank Support Bracket
7	710-04484	1		Hex Washer Screw, 5/16-18 x .750
8	710-0599	1	/P	Hex Washer Screw, 1/4-20 x .500
9	710-0604A	1	/P	Hex Washer Screw, 5/16-18 x .625
10	710-0778	1	/P	Hex Washer Screw, 1/4-20 x 1.500
11	710-0895	1		Hex Washer Screw, 1/4-15 x .750
12	710-3008	1	/P	Hex Screw, 5/16-18 x .75
13	912-0298	1	/P	Jam Nut, 1/4-20
14	712-04063	1	/P	Flange Lock Nut, 5/16-18
15	712-04092	1		Speed Nut, 1/4-20
16	726-3046	1	/P	Ratchet Clip
17	731-0511	1	/P	Trim Strip
18	731-06233	1		RH Console
19	731-06263	1	S	LH Console
20	735-04082B	1		Foot Pad
21	736-0148	1		Lock Washer, 3/8
22	726-0201	1		Speed Nut, .3125

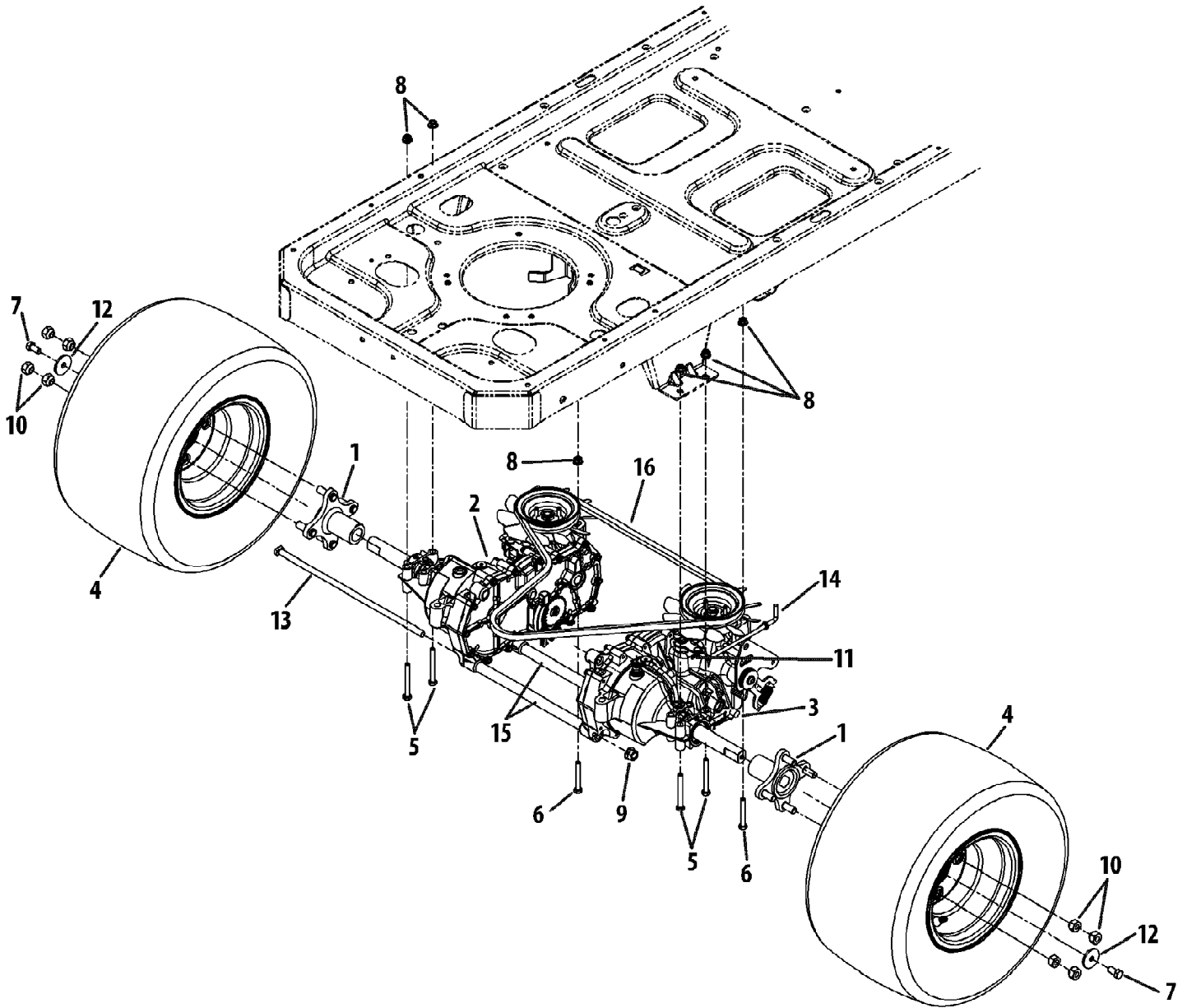




17BF2ACP211 Mustang XP (2010)  
Quick Reference

Page 18 of 22

Ref #	Part Number	Qty	S/P/F	Description
	KH-12-050-01-S	1	/P	Oil Filter
	KH-32-883-03-S1	1	/P	Air Filter & Pre-Cleaner
	759-3336	1	/P	Spark Plug
	KH-25-050-22-S1	1	/P	Fuel Filter
	942-04053C	1	/P	Blades
	712-0417A	1	/P	Blade Nut
	954-04043A	1	/P	Drive Belt Transmission
	954-04044A	1	/P	PTO/Deck Spindle Belt
	918-04126B	1	/P	Deck Spindles
	925-1745A	1	/P	Ignition Keys
	725-04439	1		Solenoid
	751-10703A	1	/P	Fuel Cap
	734-04155	1		Deck Wheels
	N/A	1		Ball Joints
	N/A	1		Wheel Bushings
	925-04174	1	/P	Safety Switch-Deck/PTO
	725-04363	1		Safety Switch-Brake/Clutch
	737-04003D	1	/P	Water Nozzle Adapter
	OEM-190-193	1		Mulch Kit Attachments
	19A70004OEM	1		Bagger Attachments
	19A-115-100	1		Bumper Kit Attachments
	19A-116-100	1		Rear Spreader Attachments
	19A-117-100	1		Sun Shade Attachments



17BF2ACP211 Mustang XP (2010)  
Rear Drive & Wheels

Page 20 of 22

Ref #	Part Number	Qty	S/P/F	Description
1	918-04317	1	/P	Wheel Hub Double D
1	710-0852	8	/P	Stud, Rib Neck, 7/16-14 x1.6 Not shown
2	918-04431A	1	/P	Transmission Assembly, LH
2	732-04448	1	/P	Neutral Return Spring Not shown
3	918-04432A	1	/P	Transmission Assembly, RH
3	732-04448	1	/P	Neutral Return Spring Not shown
4	634-04172A-0662	1	/P	Wheel Assembly, 18 x 9.5 x 8
4	734-1729	1		Tire, 18 x 9.5 x 8 Not shown
4	934-0255	1	/P	Valve Assembly Not shown
4	603-04175-0662	1	/P	Rim Assembly Not shown
5	710-0176	1	/P	Hex Screw, 5/16-18 x 2.75
6	710-0395	1	/P	Hex Screw, 5/16-18 x 2.25
7	710-3119	1	/P	Hex Lock Screw, 3/8-16 x .75
8	712-04063	1	/P	Hex Flange Lock Nut, 5/16-18
9	712-0459	1	/P	Hex Flange Lock Nut, 7/16-20
10	712-3050	1	/P	Lug Nut, 7/16-14
11	714-04040	1		Bow-Tie Cotter Pin
12	936-0227	1	/P	Flat Washer, .39 x 1.5 x .134
13	738-04192	1		Rod, .405 x 14.0
14	747-04217C-0637	1	/P	Bypass Rod
15	750-04561	1		Tube, .45 x .69 x 10.2
16	954-04043A	1	/P	V-Belt



17BF2ACP211 Mustang XP (2010)  
Seat Adjustment

Page 22 of 22

Ref #	Part Number	Qty	S/P/F	Description
1	703-06941-4033	1		Seat Bracket
2	710-04482	1		Hex Flange Bolt, 3/8-16 x .875 Seat stop bolt, one used as shown.
3	710-04484	1		Hex Washer Screw, 5/16-18 x .750
4	712-04063	1	/P	Flange Lock Nut, 5/16-18
5	732-04035	1		Compression Spring
6	732-04563	1		Compression Spring
7	736-0258	1	/P	Flat Washer, .385 x 1.0 x .135
8	938-0296	1	/P	Shoulder Screw, 5/16-18 x .437 x .268
9	783-06049-4033	1		Seat Mount Bracket
10	783-06050	1		Seat Adjustment Lever
11	757-04103	1		High Back Seat