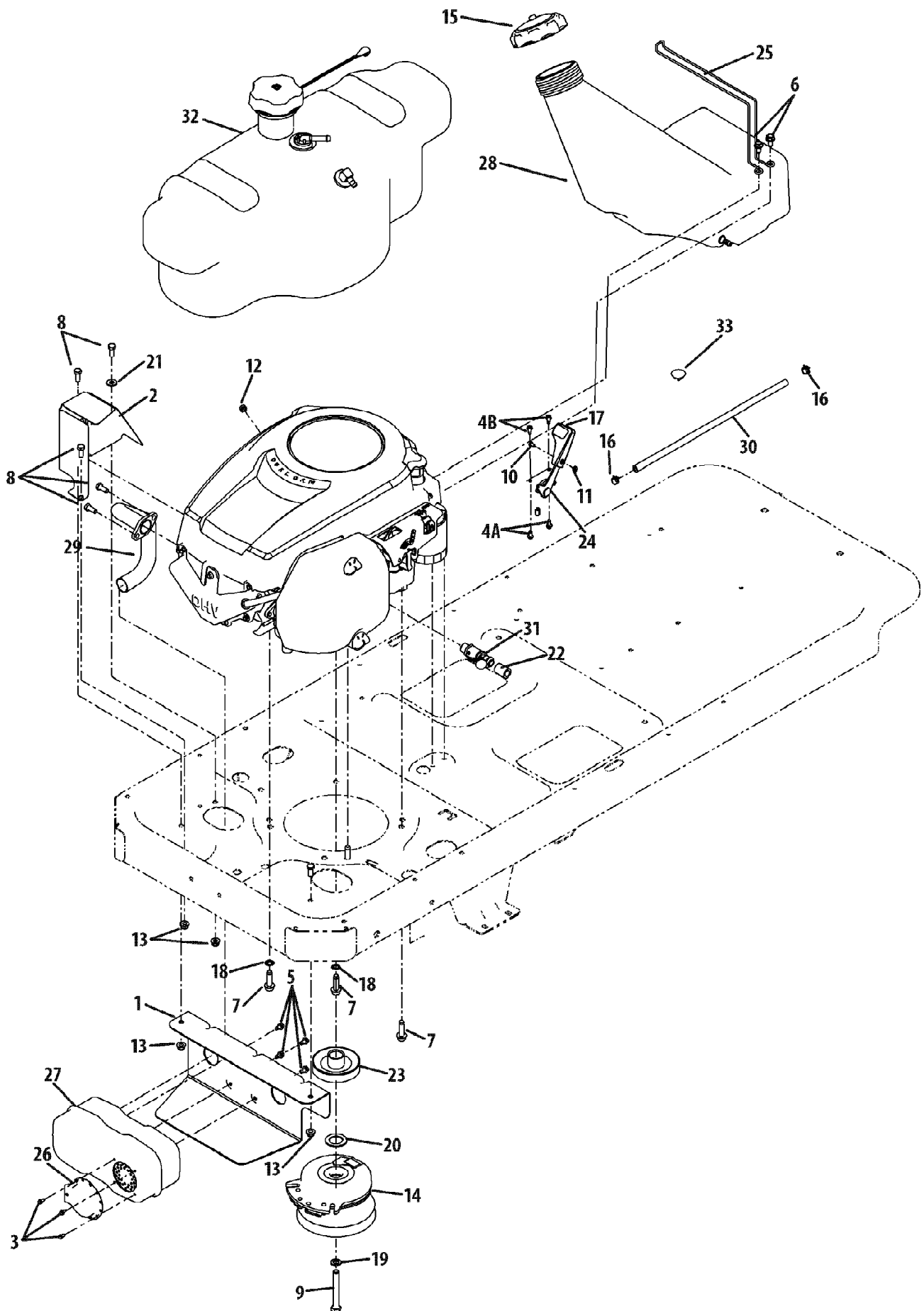


17BE2ACG011 Colt XP (2009)
Electrical

Page 2 of 22

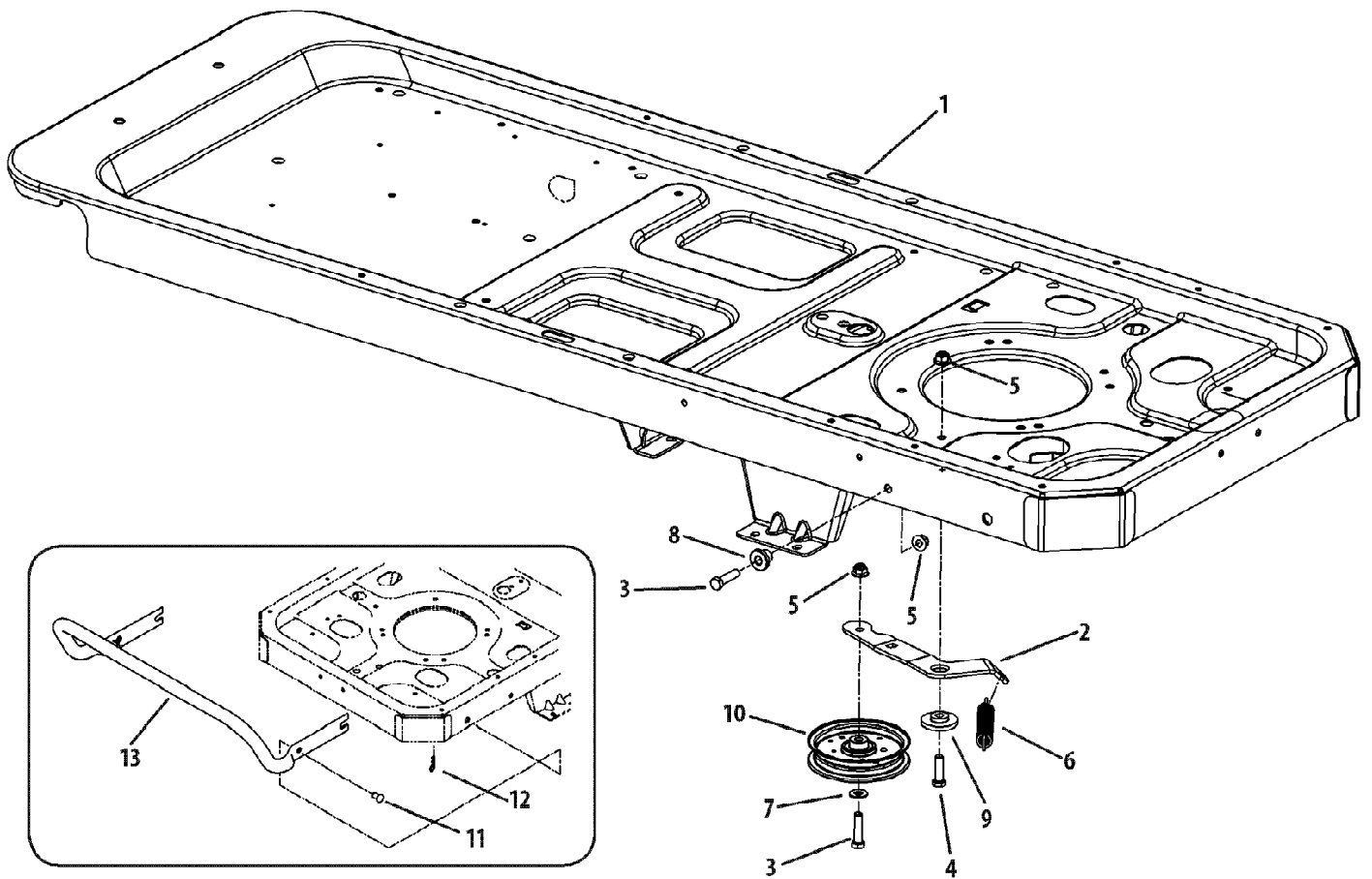
Ref #	Part Number	Qty	S/P/F	Description
1	925-04040	1	/P	Seat Switch
2	710-0653	1	/P	Hex Washer Screw, 1/4-20 x .375
3	710-3015	1	/P	Hex Screw, 1/4-20 x .75
4	712-0271	1	/P	Hex Nut, 1/4-20
5	925-04022B	1	/P	Hour Meter
6	925-04165	1	/P	Double Pole Neutral Switch
7	925-04174	1	/P	PTO Switch
8	925-04228	1	/P	Ignition Switch
9	725-04363	1		Brake/Reverse Interlock Switch
10	725-04439	1		Solenoid
11	925-1745	1	S	Key
12	925-1707D	1	/P	Battery
13	726-0470	1		Cable Tie
14	738-04237A	1		Shoulder Screw, #10-32 x .5
	925-04847A	1	S	Wire Harness Assembly Not Shown



17BE2ACG011 Colt XP (2009)
Engine Connections

Page 4 of 22

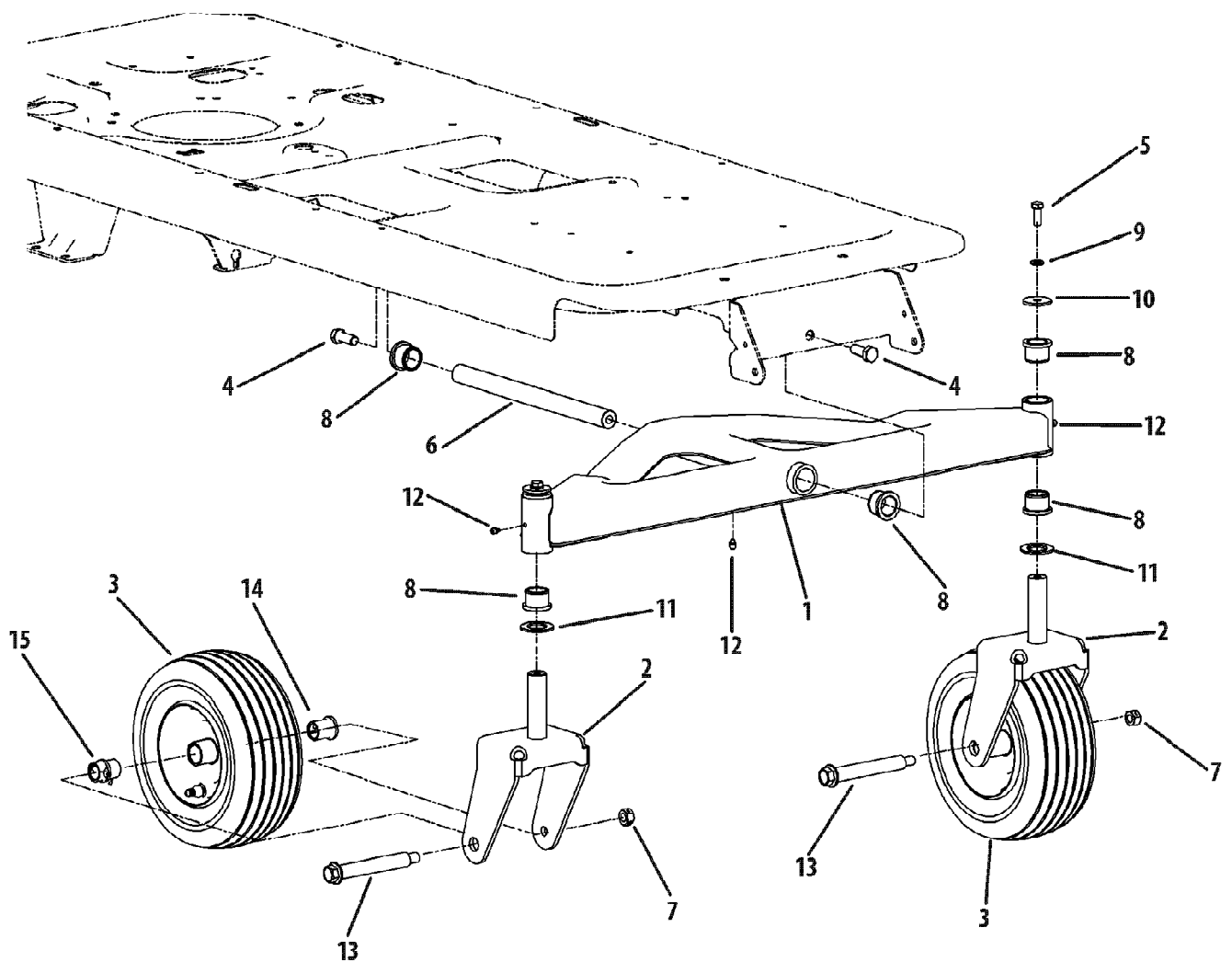
Ref #	Part Number	Qty	S/P/F	Description
1	703-05441A	1	/P	Muffler Mounting Bracket
2	703-05870	1		Muffler Tube Heat Shield
3	710-0227	1	/P	Hex Washer Head Screw, #8-18 x .5
4A	710-04261	1		Hex Screw, #12-16 x .50 49-State Models
4B	710-1017	1	/P	AB Screw, 1.4-14 x .625 California Models Only
5	710-0599	1	/P	Hex Washer Head Screw, 1.4-20 x .5
6	710-04484	1		Hex Washer Screw, 5.16-18 x .750 49-State Models
7	710-1315	1	/P	Hex Screw, 3.8-16 x 1.250
8	710-3008	1	/P	Hex Screw, 5.16-18 x .75
9	710-3157A	1	/P	Hex Screw, 7.16-20 x 3.25
10	710-3217	1	/P	Machine Screw, #8-32 x .375
11	712-0142	1	/P	Hex Nut, #8-32
12	712-0271	1	/P	Sems Nut, 1.4-20
13	712-04063	1	/P	Flange Lock Nut, 5.16-18
14	917-04376A	1	/P	Electric PTO Clutch
15	951-3124E	1	/P	Fuel Cap 49-State Models, replaces 951-3124D
16	726-0205	1	/P	Hose Clamp, .490
17	731-04914	1	/P	Throttle/Choke Control Knob
18	736-0148	1		External Tooth Lock Washer, 3.8
19	936-0171	1	/P	Lock Washer, 7.16
20	736-0277	1		Flat Washer, 1.031 x 1.620 x .095
21	936-3008	1	/P	Flat Washer, .344 x .750 x .120
22	751-3141-14	1	/P	Oil Drain Hose
23	756-04376	1		PTO Pulley
24	746-04161	1	S	Throttle/choke Cable Asm, 39.0 x .62
25	747-04228A	1		Tank Mounting Wire 49-State Models
26	751-0564B	1	/P	Muffler Deflector
27	751-0617C	1	/P	Single Inlet Muffler
28	751-10057D	1	/P	Fuel Tank 49-State Models
29	751-10251	1		Exhaust Pipe
30	751-10349-28	1	/P	Fuel Hose
31	951-10517	1	S	Oil Drain
32	651-04174	1	/P	Fuel Tank Assembly California Models Only
32	935-0149	1	/P	Fuel Tank Bushing California Models Only
32	735-04081	1		Rubber Grommet California Models Only
32	751-10441	1		Rollover Valve Grommet California Models Only
32	751-10442	1		Fuel Pick-Up Fitting California Models Only
32	751-10447A	1		Fuel Cap California Models Only
33	731-1999	1		Choke Plug California Models Only



17BE2ACG011 Colt XP (2009)
Frame Assembly

Page 6 of 22

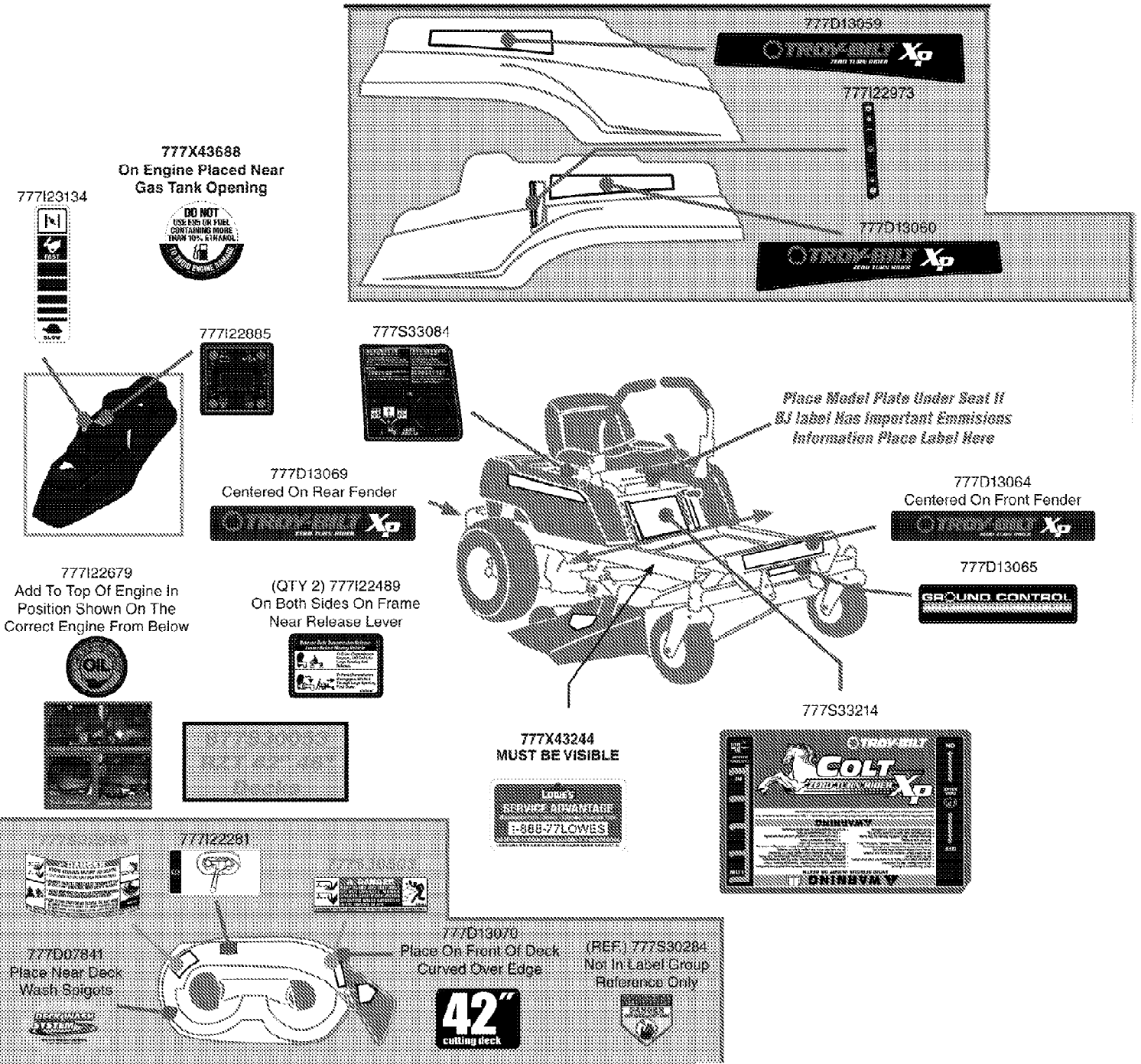
Ref #	Part Number	Qty	S/P/F	Description
1	603-04691-4033	1		Frame
2	703-05829-0637	1	S	Idler Arm
3	710-0520	1	/P	Hex Cap Screw, 3/8-16 x 1.5
4	710-3005	1	/P	Hex Cap Screw, 3/8-16 x 1.25
5	712-04065	1	/P	Hex Flange Lock Nut, 3/8-16
6	732-0626	1		Extension Spring, .75 x 5.06
7	936-0300	1	/P	Flat Washer, .406 x .875 x .059
8	738-04058	1		Shoulder Spacer, .38 x 1.0 x .7
9	738-04162A	1	/P	Shoulder Spacer, .884 x 1.9
10	756-04129B	1	/P	Idler Pulley
11	911-0332	1	/P	Clevis Pin, .50 x .78
12	914-04023	1	/P	Cotter Pin, .080 x 1.5625
13	749-04358-0638	1		Bumper



17BE2ACG011 Colt XP (2009)
Front Axle

Page 8 of 22

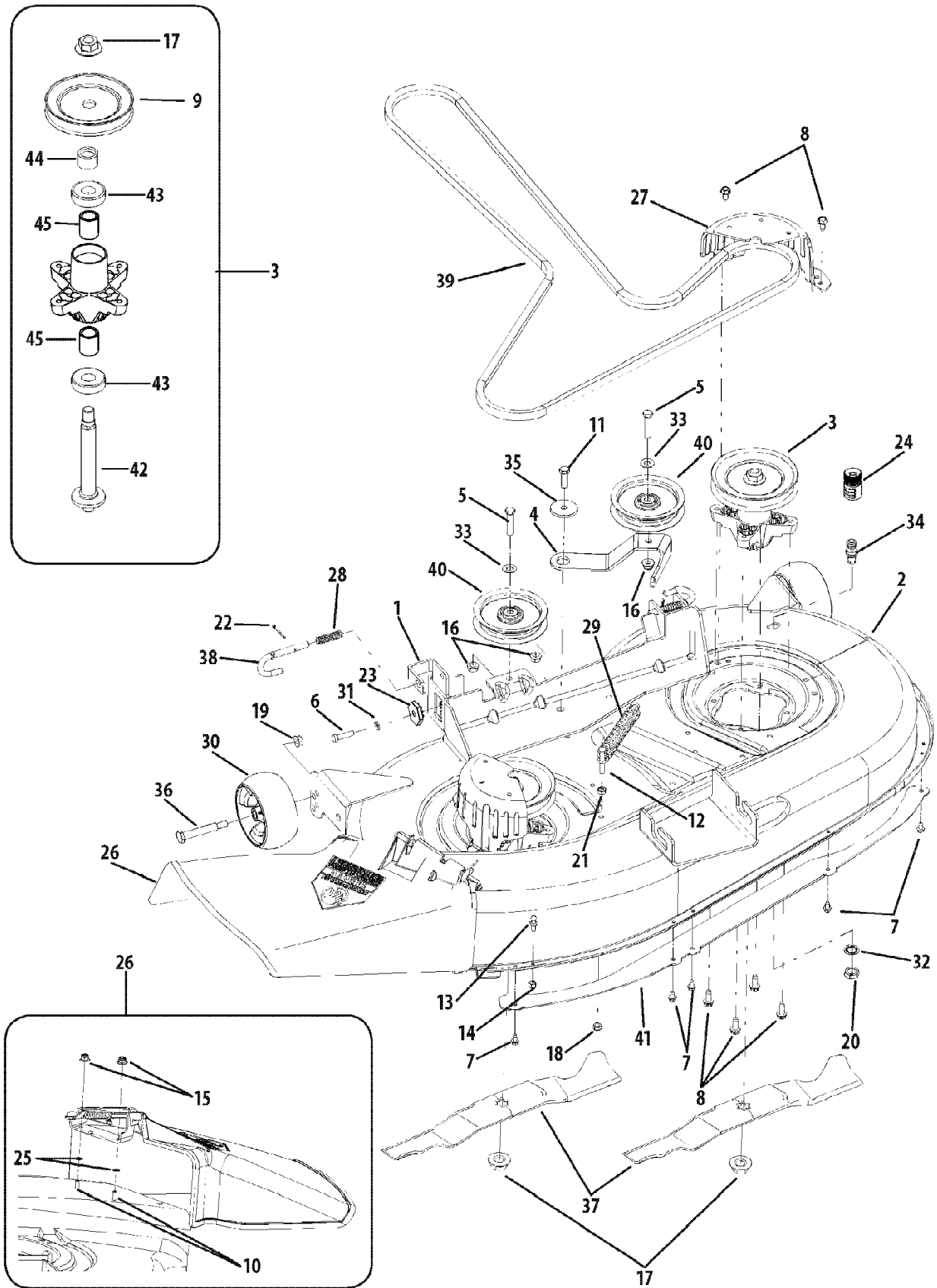
Ref #	Part Number	Qty	S/P/F	Description
1	603-04148C-0638	1	/P	Front Pivot Axle
2	603-04308-0638	1		Castor Wheel Bracket
3	634-04237A	1	S	Wheel Assembly, 11.0 x 4.0 x 5.0
3	934-0255	1	/P	Air Valve Not shown
4	710-04186	1	/P	Hex Lock Screw, 1/2-13 x 1.25
5	710-0514	1	/P	Hex Cap Screw, 3/8-16 x 1.0
6	911-04228	1	/P	Axle Shaft
7	712-3022	1	/P	Hex Lock Nut, 1/2-13
8	731-05500	1		Flange Bearing, 1.0 x 1.246
9	936-0169	1	/P	Lock Washer, 3/8
10	936-0227	1	/P	Flat Washer, .39 x 1.5 x .134
11	736-0250	1	/P	Flat Washer, 1.0 x 1.75 x .107
12	937-3000	1	/P	Lube Fitting, 3/16 Drive
13	738-04182A	1	/P	Shoulder Screw, 7/16-14 x .75 x 4.75
14	741-0516B	1	/P	Flange Bearing, .76 x 1.0 x 1.2
15	741-0990B	1	/P	Flange Bearing, .76 ID w/Lube Ftg.



17BE2ACG011 Colt XP (2009)
Label Map

Page 10 of 22

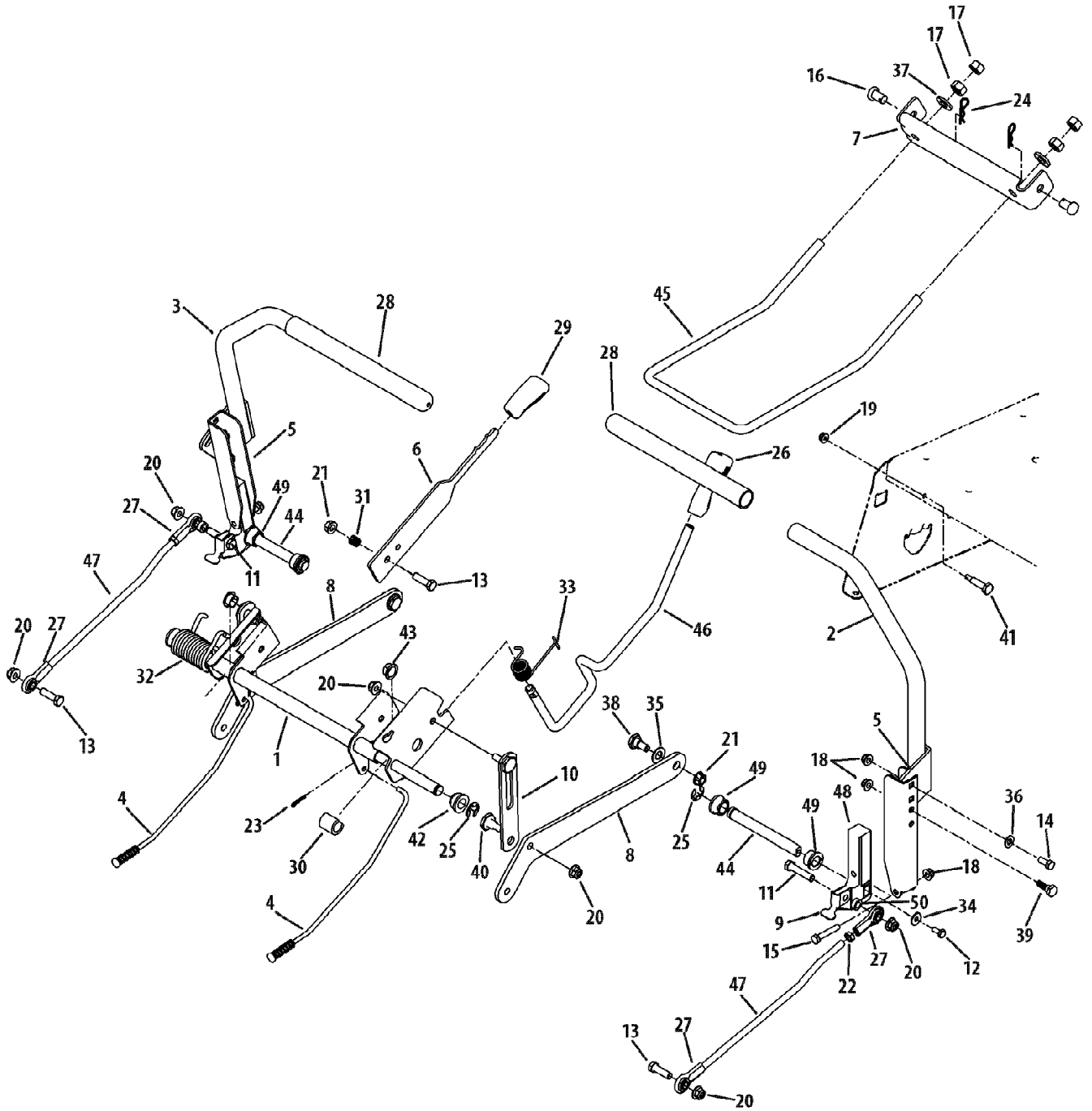
Ref #	Part Number	Qty	S/P/F	Description
777X43688	777X43688	1		LABEL-ETHANOL
777I23134	777I23134	1		LABEL-THROTT/CHOKE LH POD
777I22885	777I22885	1		LABEL-HOUR METER LH POD
777S33084	777S33084	1		LABEL-START INSTR RH POD
777D13069	777D13069	1		LABEL-REAR FRAME TROY-BILT XP
777I22679	777I22679	1		LABEL-CHECK ENG OIL
777I22489	777I22489	1		LABEL-TRNMSN RELEASE
777D07841	777D07841	1		LABEL: RIDER DECK
777S32599	777S32599	1		LABEL-RZT DECK WAR
777I22281	977I22281	1	/P	LABEL-BELT ROUTE
777S30503	777S30503	1	/P	LABEL-DANGER CHUTE
777D13070	777D13070	1		LABEL-42" CUT
777S30284	977S30145	1	/P	LABEL
777X43244	777X43244	1		LABEL-LOWE'S SERVICE ADVANTAGE
777S33214	777S33214	1		LABEL-RDR SAFETY COLT XP
777D13065	777D13065	1		LABEL-RXT AXLE PIVOT TROY-BILT
777D13064	777D13064	1		LABEL-FRONT FRAME TROY BILT XP
777D13060	777D13060	1		LABEL-TROY BILT XP LH POD
777I22973	777I22973	1		LABEL-FUEL LEVEL
777D13059	777D13059	1		LABEL-TROY BILT XP RH POD



17BE2ACG011 Colt XP (2009)
Mower Deck 42 Inch

Page 12 of 22

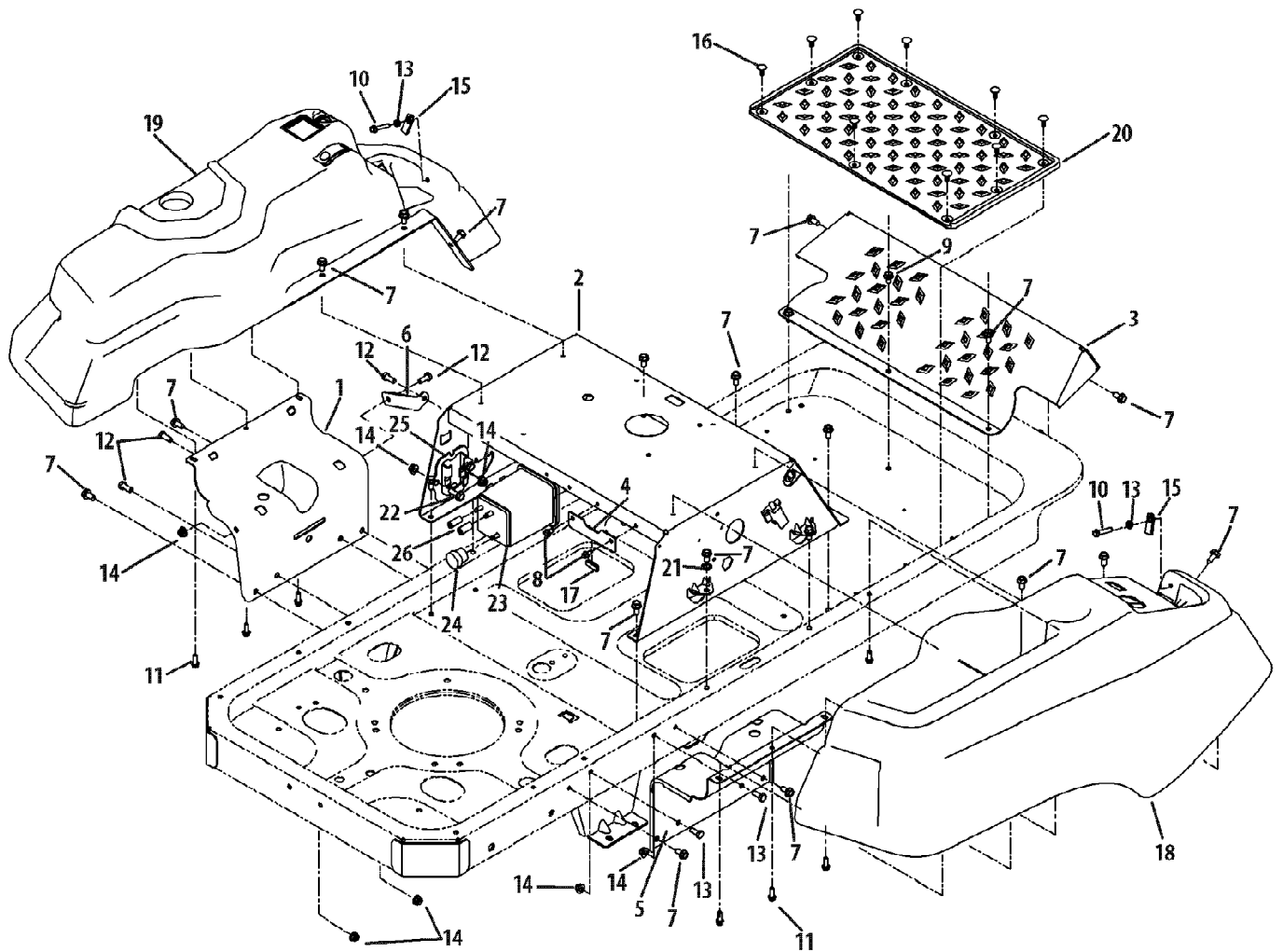
Ref #	Part Number	Qty	S/P/F	Description
1	603-04156-4033	1		Deck Lift Bracket
2	903-04335C-4033	1	/P	Deck Housing
3	918-0624	1	S	Spindle Assembly
4	703-05824B-4033	1		Idler Arm
5	710-0347	1	/P	Hex Cap Screw, 3.8-16 x 1.75
6	710-0528	1	/P	Hex Cap Screw, 5.16-18 x 1.25
7	710-0599	1	/P	Hex Washer Screw, 1.4-20 x .5
8	710-04484	1		Hex Washer Screw, 5.16-18 x .750
9	956-1227	1	/P	Deck Pulley, 6.3 Dia
10	710-0751	1	/P	Hex Cap Screw, 1.4-20 x .62
11	710-3005	1	/P	Hex Cap Screw, 3.8-16 x 1.25
12	710-3180	1	/P	Hex Cap Screw, 5.16-18 x 1.75
13	911-04069	1	/P	Grass Catcher Pin, 1.4-20
14	712-0324	1	/P	Hex Insert Lock Nut, 1.4-20
15	712-04064	1	/P	Hex Insert Flange Lock Nut, 1.4-20
16	712-04065	1	/P	Hex Insert Flange Lock Nut, 3.8-16
17	712-0417A	1	/P	Hex Flange Nut, 5.8-18
18	912-0429	1	/P	Hex Insert Lock, 5.16-18
19	912-0431	1	/P	Hex Flange Lock Nut, 3.8-16
20	912-0641	1	/P	Hex Nut, M16-1.5
21	912-3010	1	/P	Hex Nut, 5.16-18
22	914-0470	1	/P	Cotter Pin, 1.8 x 1.25
23	917-04074	1	/P	Deck Adjustment Gear
24	921-04041	1	/P	Water Nozzle Adapter
25	726-0233	1	/P	Push Nut, .25 x .5
26	931-1032B	1	/P	Discharge Chute Assembly
27	731-2231B	1	/P	Belt Cover
28	932-0306A	1	/P	Compression Spring
29	732-04609	1		Extension Spring, .94 Dia. x 6.74
30	734-04155	1		Deck Ball Wheel, 5.0
31	936-0119	1	/P	Lock Washer, 5.16
32	736-0225	1	/P	Lock Washer
33	736-3072	1	/P	Flat Washer, .38 x .93 x .11
34	737-04003D	1	/P	Deck Water Nozzle
35	738-04162A	1	/P	Shoulder Spacer, .884 x .19
36	938-3056	1	/P	Shoulder Screw, .5 x 2.5 x 3.8-16
37	942-0616A	1	/P	Blade, 3 in 1, 21.23
38	747-1116	1	/P	Deck Hanger Rod
39	954-04137A	1	/P	V-Belt
40	756-04129B	1	/P	Idler Pulley, 4.25 Dia
41	753-0884	1	/P	Deck Skirt
42	738-1010A	1	/P	Spindle Shaft, 5.75
43	941-0919	1	/P	Ball Bearing
44	748-0433	1		Spacer, .820 x 1.15 x .73
45	750-1000	1		Spacer, .8 x 1.10 x 1.322



17BE2ACG011 Colt XP (2009)
Operator's Controls

Page 14 of 22

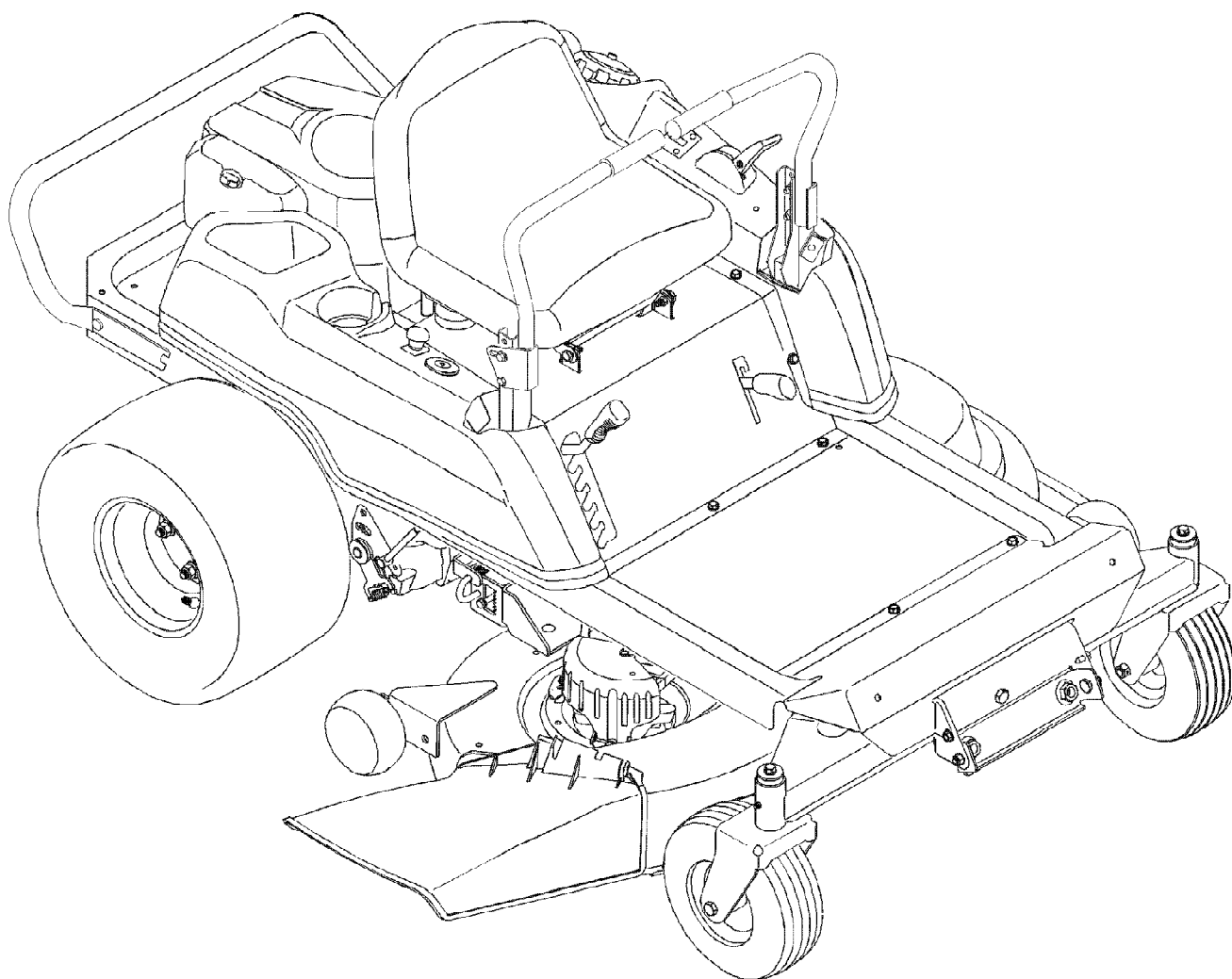
Ref #	Part Number	Qty	S/P/F	Description
1	603-04160B	1	S	Deck Lift Shift Assembly
2	603-04322-0638	1		RH Lapbar Lever Assembly
3	603-04324-0638	1		LH Lapbar Lever Assembly
4	947-04065	1	/P	Brake Rod Assembly
5	703-05387B	1	/P	Lapbar Pivot Bracket
6	703-05396A-0637	1	/P	Brake/Shabs Handle
7	703-05414A-4033	1		Front Deck Hanger Bracket
8	703-05793A-4033	1		Deck Lift Arm Plate
9	703-06096	1		Switch Actuator Bracket
10	703-06169-0637	1	/P	Lift Link Plate
11	710-0347	1	/P	Hex Screw, 3.8-16 x 1.75
12	710-0433	1	/P	Hex Screw, 1.4-20 x .625
13	710-3005	1	/P	Hex Screw, 3.8-16 x 1.25
14	710-3008	1	/P	Hex Screw, 5.16-18 x .75
15	710-3180	1	/P	Hex Screw, 5.16-18 x 1.75
16	911-0332	1	/P	Clevis Pin, .50 x .78
17	912-0206	1	/P	Hex Nut, 1.2-13
18	712-04063	1	/P	Flange Lock Nut, 5.16-18
19	712-04064	1	/P	Flange Lock Nut, 1.4-20
20	712-04065	1	/P	Flange Lock Nut, 3.8-16
21	912-0431	1	/P	Flange Lock Nut, 3.8-16
22	912-3001	1	/P	Jam Nut, 3.8-24
23	914-0104	1	/P	Cotter Pin, .072 x 1.13
24	914-04023	1	/P	Cotter Pin, .080 x 1.5625
25	716-0106	1	/P	E-Ring
26	720-0311	1		Handle Grip
27	723-04035	1		Rod End
28	731-04719A	1	/P	Lapbar Grip
29	731-04735	1		Selector Handle
30	731-05732	1		Spacer, .621 x 1.00
31	932-0334	1	/P	Compression Spring, .50 x .50
32	732-04420	1		Torsion Spring, 1.19 x 2.78
33	732-0874	1	/P	Torsion Spring
34	736-0270	1	/P	Bell Washer, .265 x .75 x .062
35	936-0272	1	/P	Flat Washer, .510 x 1.00 x .060
36	936-0275	1	/P	Flat Washer, .344 x .688 x .065
37	736-3019	1		Flat Washer, .531 x 1.062 x .134
38	738-0143	1	/P	Shoulder Bolt, 3.8-16 x .496 x .336
39	938-0296	1	/P	Shoulder Screw, 5.16-18 x .437 x .268
40	938-0507B	1	/P	Shoulder Screw, .500 x .434
41	938-0572	1	/P	Shoulder Screw, .374 x 1.16
42	941-0225	1	/P	Hex Flange Bearing
43	741-3074	1		Flange Bearing, .626 x .938 x .344
44	747-04631	1	S	Shift Control
45	747-04401A	1		Front Hanger Deck Lift Rod
46	747-04637	1		Deck Lift Handle Rod
47	747-05057	1		Lapbar Rod Control
48	748-04169A	1		Control Hub
49	948-0227A	1	/P	Hex Flange Bearing
50	750-04776	1		Spacer, .380 x .625 x .265



17BE2ACG011 Colt XP (2009)
Operator's Platform

Page 16 of 22

Ref #	Part Number	Qty	S/P/F	Description
1	603-04564-4033	1		Console Bracket Assembly
2	603-04663-0638	1		Seat Frame Assembly
3	703-05373B-0637	1		Foot Rest Bracket
4	703-05894-0637	1	/P	Battery Hold-Down Bracket
5	703-06451-4033	1		Console Mount Bracket
6	703-06623-0637	1	/P	Fuel Tank Support Bracket
7	710-04484	1		Hex Washer Screw, 5/16-18 x .750
8	710-0599	1	/P	Hex Washer Screw, 1/4-20 x .500
9	710-0604A	1	/P	Hex Washer Screw, 5/16-18 x .625
10	710-0778	1	/P	Hex Washer Screw, 1/4-20 x 1.500
11	710-0895	1		Hex Washer Screw, 1/4-15 x .750
12	710-3008	1	/P	Hex Screw, 5/16-18 x .75
13	912-0298	1	/P	Jam Nut, 1/4-20
14	712-04063	1	/P	Flange Lock Nut, 5/16-18
15	712-04092	1		Speed Nut, 1/4-20
16	726-3046	1	/P	Ratchet Clip
17	731-0511	1	/P	Trim Strip
18	731-06233	1		RH Console California Models Only
18	731-04663D	1	/P	RH Console
19	731-06263	1	S	LH Console California Models Only
19	731-04662E	1	/P	LH Console
20	735-04082	1		Foot Pad
21	736-0148	1		Lock Washer, 3/8
22	710-1238	1	/P	Hex Washer Screw, 5/16-18 x .875 California Models Only
23	951-10589	1	/P	Carbon Canister California Models Only
24	951-10590	1	/P	Canister Filter Vent California Models Only
25	951-10610	1	/P	Canister Bracket Adapter California Models Only
26	751-10750-28	1		Fuel Hose California Models Only



17BE2ACG011 Colt XP (2009)
Quick Reference

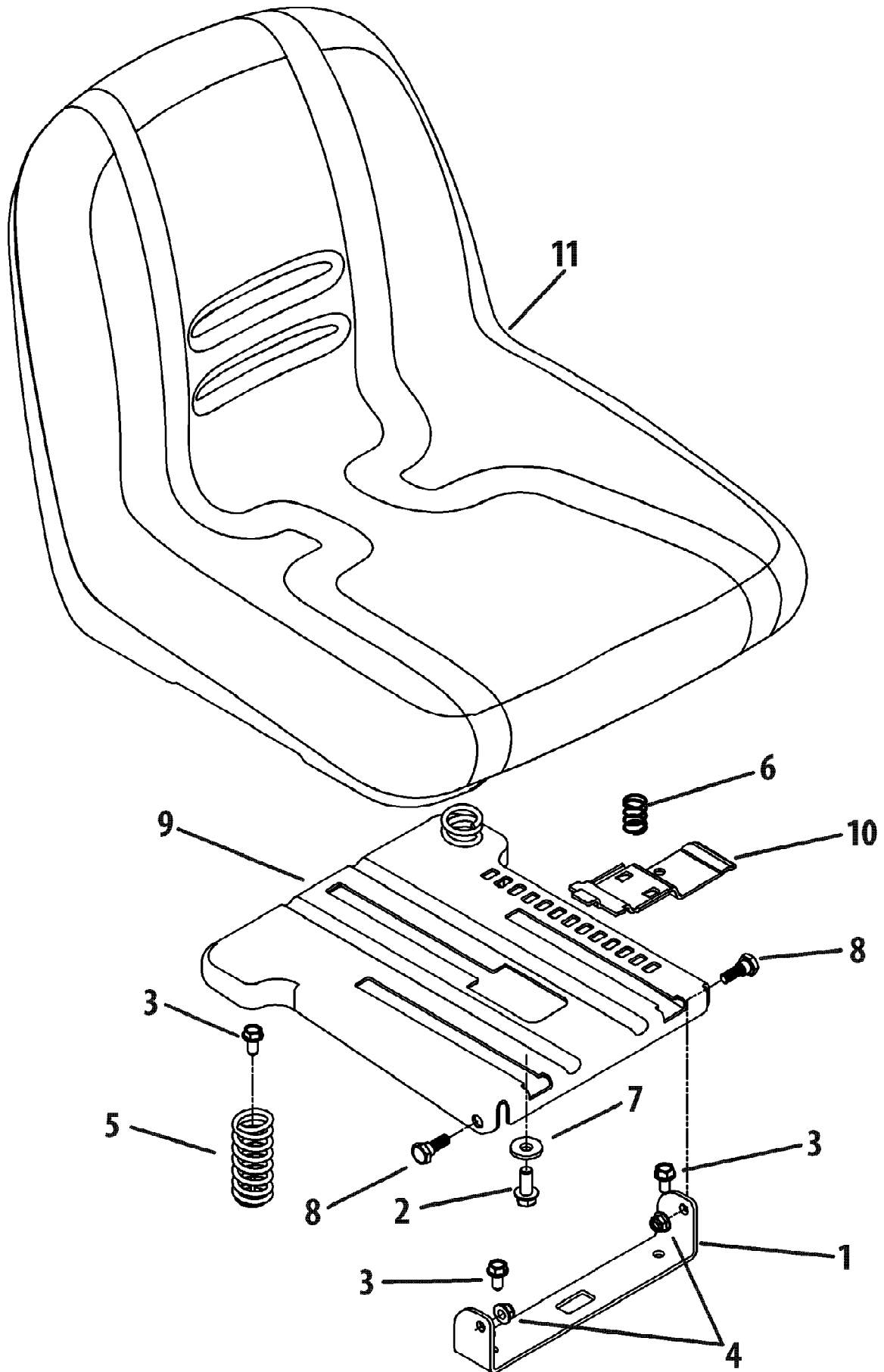
Page 18 of 22

Ref #	Part Number	Qty	S/P/F	Description
	KH-12-050-01-S	1	/P	OIL FILTER
	KH-20-883-02-S1	1	/P	AIR FILTER
	NA	1		PRE-CLEANER ELEMENT
	759-3336	1	/P	SPARK PLUG
	KH-25-050-22-S1	1	/P	FUEL FILTER
	942-0616A	1	/P	BLADES
	712-0417A	1	/P	BLADE NUT
	NA	1		UPPER DRIVE BELT
	954-04043A	1	/P	LOWER DRIVE BELT
	954-04137A	1	/P	DECK SPINDLE BELT
	NA	1		ENGINE TO DECK BELT
	918-0624	1	S	DECK SPINDLES
	925-1745A	1	/P	IGNITION KEYS
	725-04439	1		SOLENOID
	951-3124E	1	/P	FUEL CAP 49-State Models, replaces 951-3124D
	751-10447A	1		Fuel Cap California Models Only
	734-04155	1		DECK WHEELS
	NA	1		BALL JOINTS
	741-0516B	1	/P	WHEEL BUSHINGS
	741-0990B	1	/P	WHEEL BUSHINGS In board
	725-04363	1		SAFETY SWITCH-DECK
	725-04363	1		SAFETY SWITCH-BRAKE/CLUTCH
	737-04003D	1	/P	WATER NOZZLE ADAPTER
	OEM-190-116	1	/P	MULCH KIT Attachments
	19A70005OEM	1		BAGGER Attachments
	19A-115-100	1		REAR BUMPER Attachments

17BE2ACG011 Colt XP (2009)
Rear Drive & Wheels

Page 20 of 22

Ref #	Part Number	Qty	S/P/F	Description
1	918-04317	1	/P	Wheel Hub Double D
1	710-0852	8	/P	Stud, Rib Neck, 7/16-14 x1.6 Not shown
2	918-04431A	1	/P	Transmission Assembly, LH
2	732-04448	1	/P	Neutral Return Spring Not shown
3	918-04432A	1	/P	Transmission Assembly, RH
3	732-04448	1	/P	Neutral Return Spring Not shown
4	634-04294	1		Wheel Assembly, 18 x 8.5 x 8
4	734-04246-0901	1		Tire, 18 x 8.5 x 8 Not shown
4	603-04173-0662	1	/P	Rim Assembly Not shown
4	934-0255	1	/P	Valve Assembly Not shown
5	710-0176	1	/P	Hex Screw, 5/16-18 x 2.75
6	710-0395	1	/P	Hex Screw, 5/16-18 x 2.25
7	710-3119	1	/P	Hex Lock Screw, 3/8-16 x .75
8	712-04063	1	/P	Hex Flange Lock Nut, 5/16-18
9	712-0459	1	/P	Hex Flange Lock Nut, 7/16-20
10	712-3050	1	/P	Lug Nut, 7/16-14
11	914-0507	1	/P	Cotter Pin, 3/32 x .75
12	936-0227	1	/P	Flat Washer, .39 x 1.5 x .134
13	738-04192	1		Rod, .405 x 14.0
14	747-04217C-0637	1	/P	Bypass Rod
15	750-04561	1		Tube, .45 x .69 x 10.2
16	954-04043A	1	/P	V-Belt



17BE2ACG011 Colt XP (2009)
Seat Adjustment

Page 22 of 22

Ref #	Part Number	Qty	S/P/F	Description
1	703-06941-0638	1		Seat Bracket
2	710-04482	1		Hex Flange Bolt, 3/8-16 x .875
3	710-04484	1		Hex Washer Screw, 5/16-18 x .750
4	712-04063	1	/P	Flange Lock Nut, 5/16-18
5	732-04035	1		Compression Spring
6	732-04563	1		Compression Spring
7	736-0258	1	/P	Flat Washer, .385 x 1.0 x .135
8	938-0296	1	/P	Shoulder Screw, 5/16-18 x .437 x .268
9	783-06049-0638	1		Seat Mount Bracket
10	783-06050	1		Seat Adjustment Lever
11	757-04103	1		High Back Seat