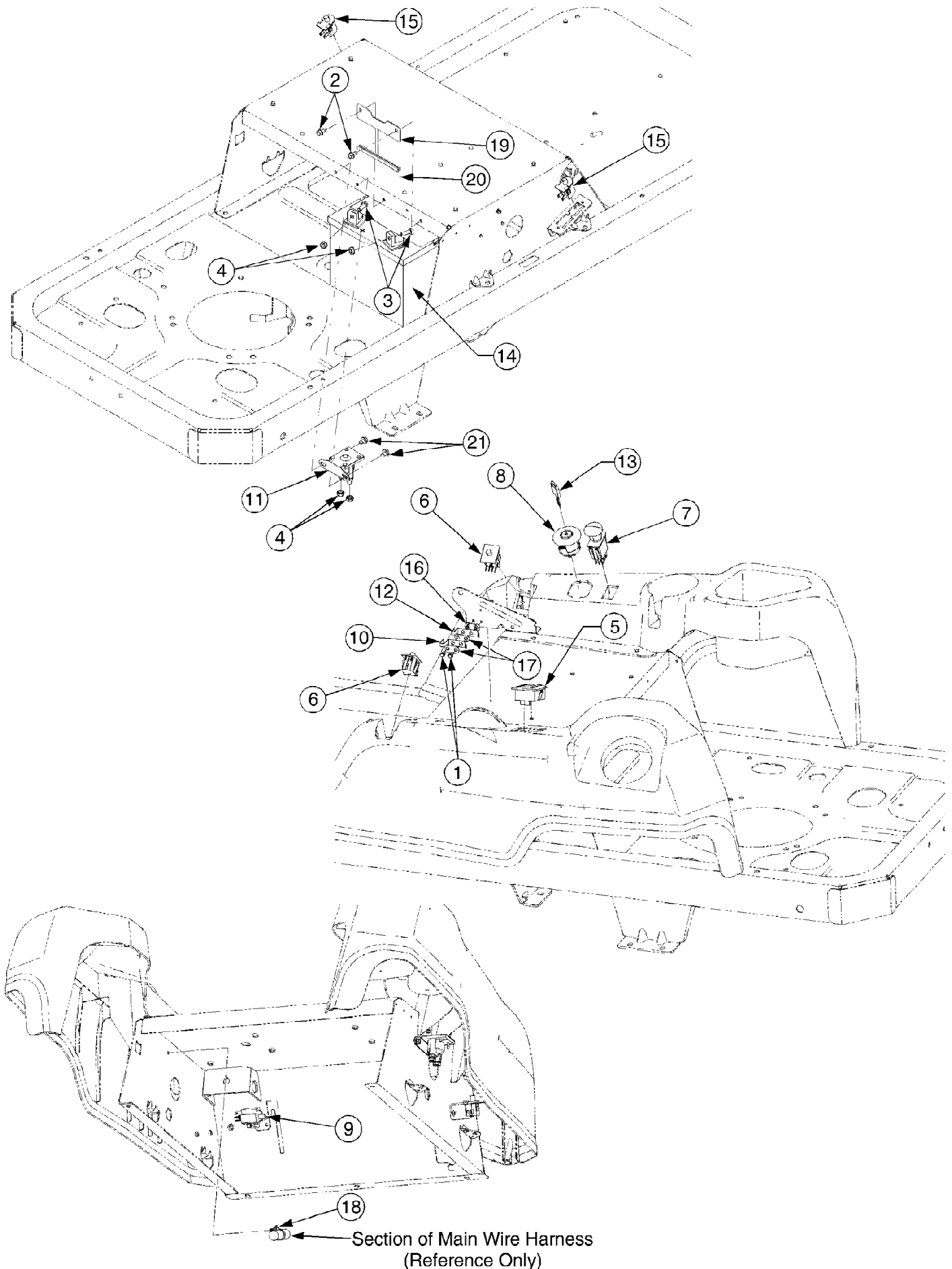


17AF2ACP711 MUSTANG RZT 50 (2007)
Electrical

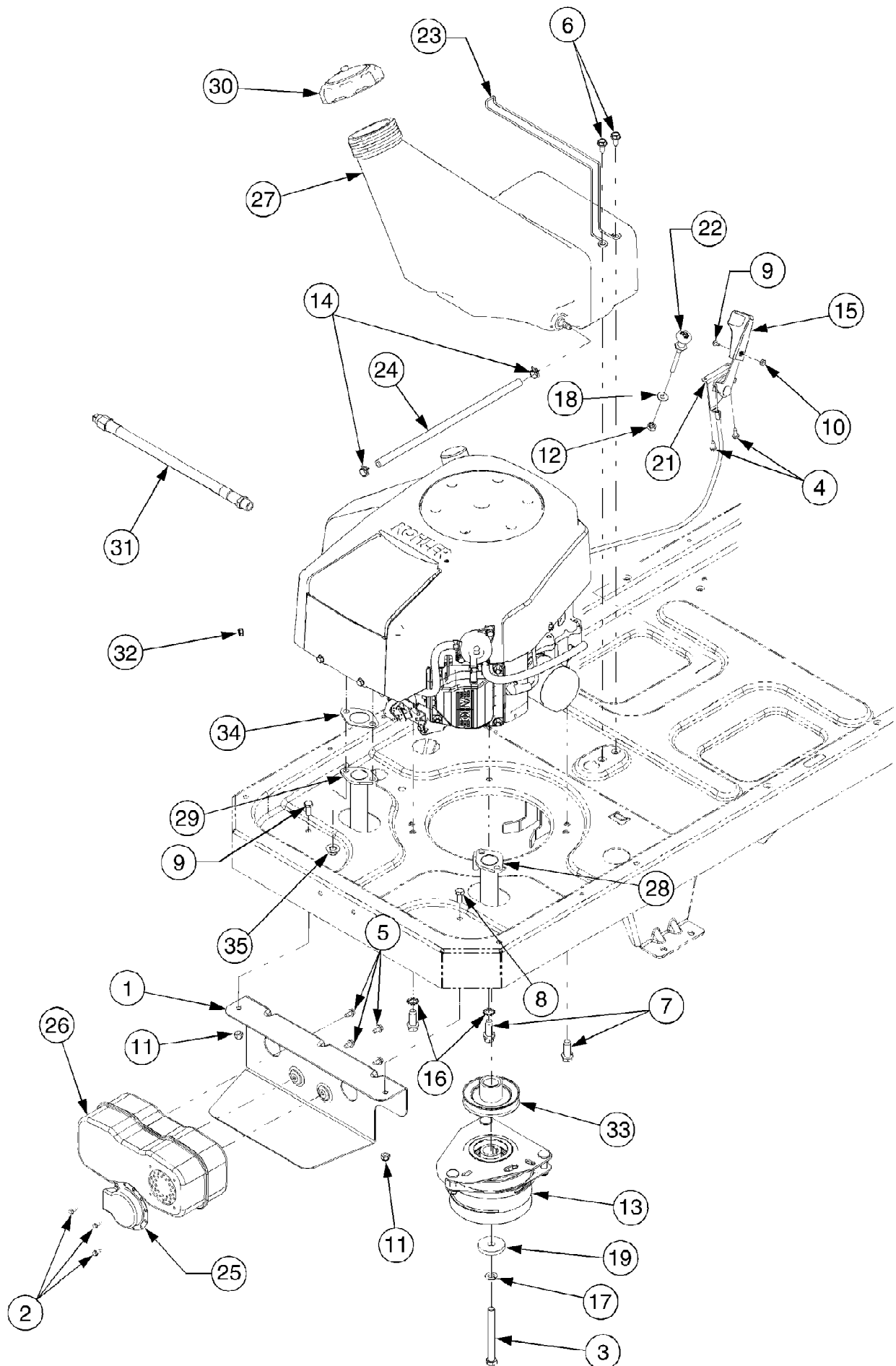
Page 1 of 21



17AF2ACP711 MUSTANG RZT 50 (2007)
Electrical

Page 2 of 21

Ref #	Part Number	Qty	S/P/F	Description
1	710-0227	2	/P	Screw, Hex Wash. Hd. Tapp #8-18 x .5
2	710-0599	2	/P	Screw, Hex Wash. Hd. Tapp, 1/4-20 x .5
3	710-3015	2	/P	Screw, Hex Cap, 1/4-20 x .75 GR5
4	712-0271	4	/P	Nut, Hex Sems, 1/4-20
5	725-04022B	1	S	Meter, Hour
6	725-04165	2	S	Switch, Dbl. Pole - Neutral
7	725-04174	1	S	Switch, PTO
8	725-04228	1	S	Switch, Ignition
9	725-04232	1		Switch, 3-Pole, (NC-NO-NO) - Brake
10	725-1303	1	S	Switch, Outer Seat Spring
11	725-1426A	1	S	Solenoid
12	725-1439	1		Switch, Inner Seat Spring
13	925-1745	1	S	Key
14	725-1707D	1	S	Battery, 235 CCA
15	725-3166	2	S	Switch, Snap Mount (N.C.) - Reverse
16	726-0278	1		Plate, Insulator Boss
17	726-0279	2		Plate, Insulator
18	726-0470	2		Tie, Cable
19	703-05894	1	S	Bracket, Battery Holddown
20	731-0511-5	1		Strip, Trim 4.5 Inches
21	710-0653	2	/P	Screw, Hex Wash. Hd. Tapp, 1/4-20 x .375
	725-04434	1		Harness Assembly, Wire Not Shown



17AF2ACP711 MUSTANG RZT 50 (2007)
Engine Connections

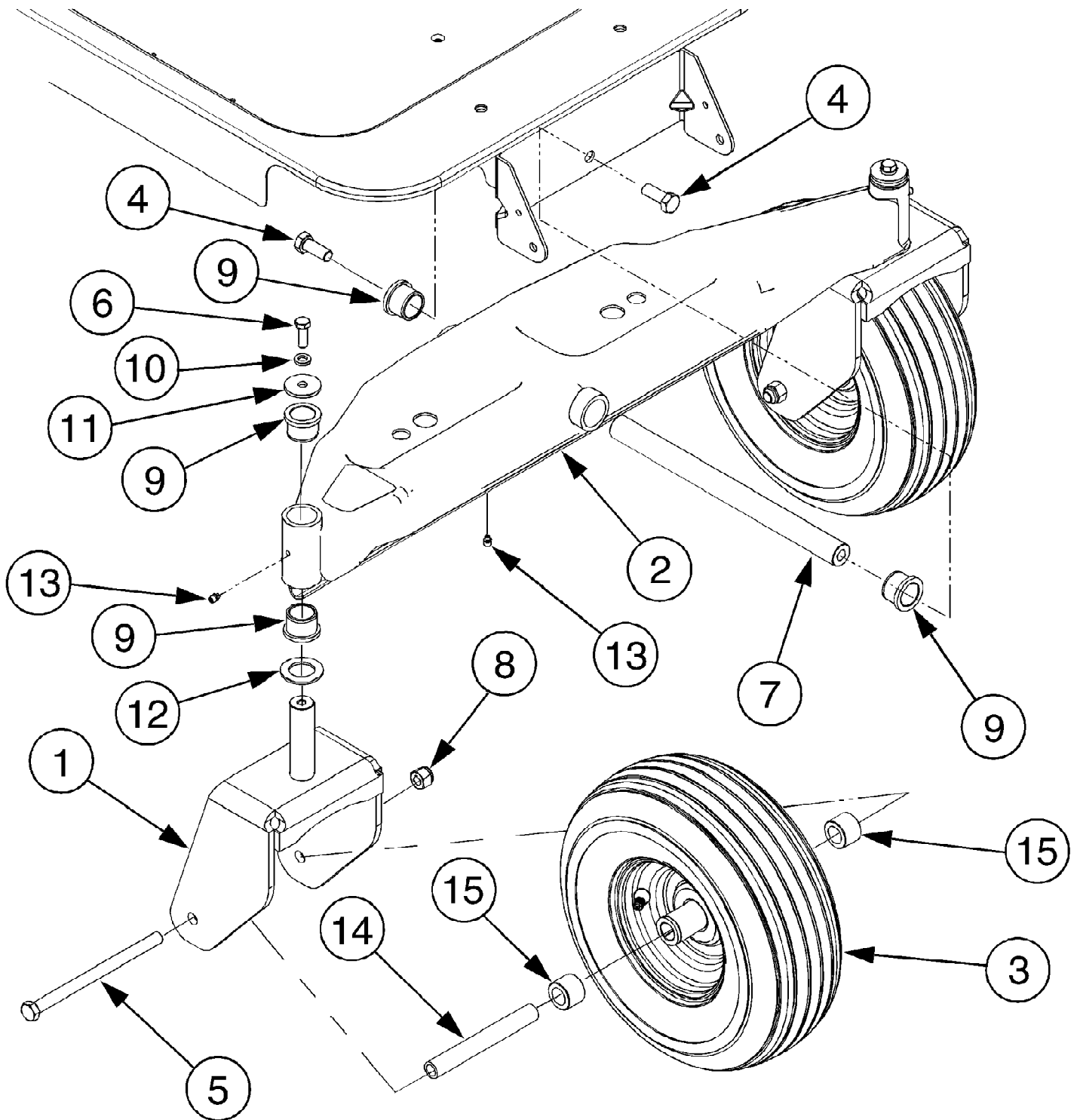
Page 4 of 21

Ref #	Part Number	Qty	S/P/F	Description
1	703-05441A	1	/P	Bracket, Muffler Mounting
2	710-0227	3	/P	Screw, Hex Wash. Hd. Tapp #8-18 x .5
3	710-04248	1	/P	Screw, Hex Cap, 7/16-20 x 4.0 GR5
4	710-04261	2		Screw, Hex Wash. Hd. Tapp #12-16 x .5
5	710-0599	4	/P	Screw, Hex Wash. Hd. Tapp 1/4-20 x .5
6	710-0726	2	/P	Screw, Hex Wash. Hd. Tapp 5/16-12 x .75
7	710-0654A	4	/P	Screw, Hex Wash. Hd. Tapp Sems 3/8-16 x 1.0
8	710-3008	2	/P	Screw, Hex Cap, 5/16-18 x .75 GR5
9	710-3217	1	/P	Screw, Truss Hd. Mach. #8-32 x .375
10	712-0142	1	/P	Nut, Hex, #8-32
11	712-0429	2	S	Nut, Hex Insert Lock, 5/16-18 GR5 ..
12	712-3005	1	S	Nut, Hex Jam, 3/8-16 GR2
13	717-04183	1	S	Clutch Assembly, Electric PTO
13	726-0197	1		Tie, Clutch Wire Not shown
14	726-0205	2	/P	Clamp, Hose
15	731-04914	1	/P	Knob, Throttle Control
16	736-0148	2		Washer, External Tooth Lock, 3/8
17	736-0171	1	S	Washer, Lock, 7/16
18	736-0300	1	S	Washer, Flat, .406 x .875 x .059
19	736-04131	1	/P	Washer, Flat, .438 x 1.75 x .25
21	746-04066	1		Cable, Throttle, 34.25 Lg
22	746-04214	1	S	Cable, Choke, 61Lg
23	747-04228A	1		Wire, Tank Mounting
24	751-10349-13	1	/P	Hose, Fuel Line 10 Inches
25	751-0564B	1	/P	Deflector, Muffler
26	751-0616A	1	S	Muffler
27	751-10057C	1	S	Tank, Fuel, 3.0 Gal.
28	751-10254	1		Pipe, Exhaust RH
29	751-10253	1		Pipe, Exhaust LH
30	751-3124B	1	S	Cap, Fuel
31	751-10291	1		Hose, Oil Drain Extension
32	712-0271	1	/P	Nut, Hex Sems, 1/4-20
33	756-0978B	1	/P	Pulley, Drive
34	KH-20-041-12-S	2	/P	Gasket, Muffler

17AF2ACP711 MUSTANG RZT 50 (2007)
Frame Assembly

Page 6 of 21

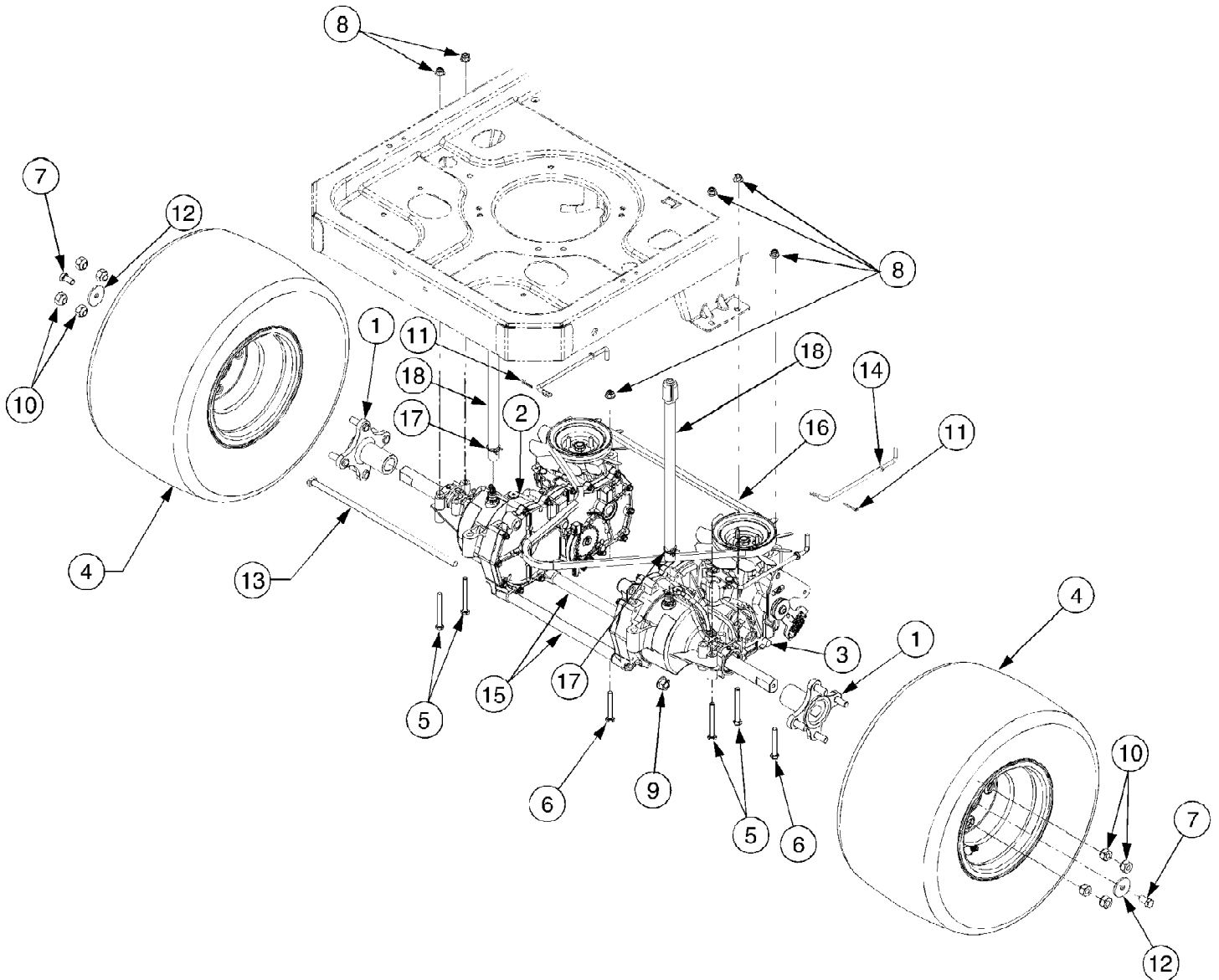
Ref #	Part Number	Qty	S/P/F	Description
1	603-04303C	1	/P	Frame Assembly
1	777I22489	2		Graphic, Release Lever
2	703-05829	1	/P	Idler Arm, Drive
3	710-0520	3	/P	Screw, Hex Cap, 3/8-16 x 1.5 GR5
4	710-3005	1	/P	Screw, Hex Cap, 3/8-16 x 1.25 GR5
5	712-04065	4	/P	Nut, Hx Insert Flnge Lck, 3/-16 GrF
6	732-0626	1		Spring, Extension, .75 x 5.06
7	736-0300	1	S	Washer, Flat, .408 x .875 x .059
8	738-04058	2		Spacer, Shoulder, .39 x 1.0 x .7
9	738-04162A	1	/P	Spacer, Shoulder, .884 x .19
10	756-04129	1	S	Pulley, Idler, 4.25 Dia.



17AF2ACP711 MUSTANG RZT 50 (2007)
Front Axle Assembly

Page 8 of 21

Ref #	Part Number	Qty	S/P/F	Description
1	603-04370	2		Bracket, Castor Wheel
2	603-04385	1		Axle, Front Pivot
3	634-04323	2	S	Wheel Assembly, 13 x 5-6
3	734-04255	2		Tire, 13 x 5-6
4	710-04186	2	/P	Screw, Hex Lock, 1/2-13x 1.25 GR5
5	710-04652	2		Screw, Hex Cap, 1/2-20 x 7.25 Gr5
6	710-0514	2	/P	Screw, Hex Cap, 3/8-16 x 1.0 GR5
7	711-04228	1	S	Shaft, Axle
8	712-3058	2		Nut, Hex Insert Lock, 1/2-13 GRB
9	731-05500	6		Bearing, Flange, 1.0 x 1.246
10	736-0169	2	S	Washer, Lock, 3/8
11	736-0227	2	S	Washer, Flat, .39 x 1.5 x .134
12	736-0250	2	/P	Washer, Flat, 1.0 x 1.75 x .10
13	737-3000	3	S	Fitting, Lube, 3/16 Drive
14	750-04775A	2	/P	Spacer, .51 x .75 x 5.825
15	750-04792	4		Hub, .76 x 1.23 x .92

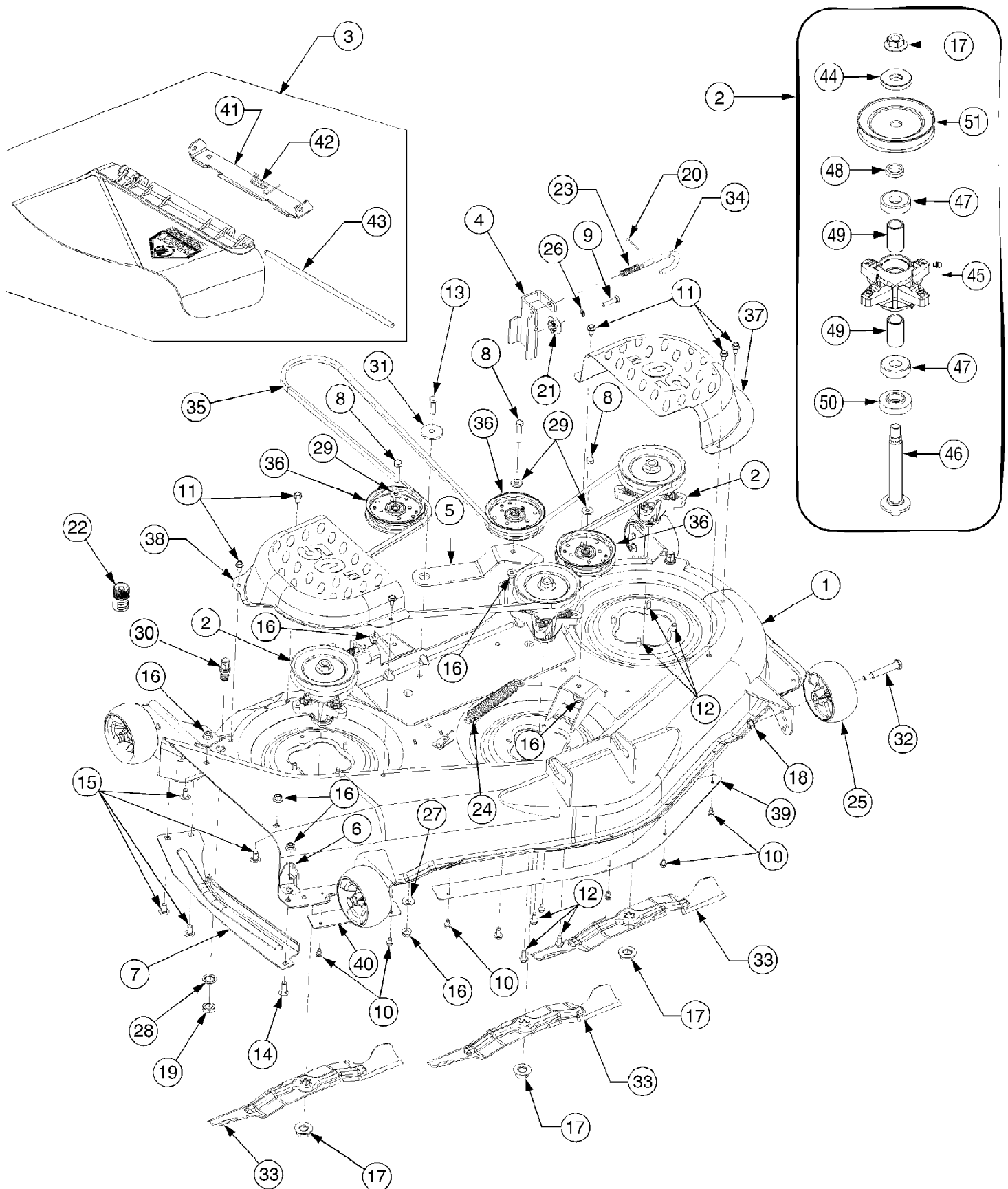


17AF2ACP711 MUSTANG RZT 50 (2007)
Hydro Transmission & Rear Wheels

Page 10 of 21

Ref #	Part Number	Qty	S/P/F	Description
1	618-04317	2	S	Hub, Wheel Double D
1	710-0852	8	/P	Stud, Rib Neck, 7/16-14 x1.6 Not shown
2	618-04431	1	S	Transmission Assembly, LH Before Production Date A267
2	618-04431A	1	S	Transmission Assembly, LH Production Date A267 & After-Replaces 618-04431
2	732-04448	1	/P	Neutral Return Spring Not shown
3	618-04432	1	S	Transmission Assembly, RH Before Production Date A267
3	618-04432A	1	S	Transmission Assembly, RH Production Date A267 & After-Replaces 618-04432
3	732-04448	1	/P	Neutral Return Spring Not shown
4	634-04171	2	S	Wheel Assembly, 18 x 9.5 x 8
4	734-1729	2		Tire, 18 x 9.5 x 8 Not shown
4	734-0255	2	S	Valve Assembly Not shown
4	603-04175	2		Rim Assembly Not shown
5	710-0176	4	/P	Screw, Hex Cap, 5/16-18 x 2.75
6	710-0395	2	/P	Screw, Hex Cap, 5/16-18 x 2.25
7	710-3119	2	/P	Screw, Hex Cap Lock, 3/8-16 x .75 GR5
8	712-04063	6	/P	Nut, Hx Flnge Insert Lck, 5/16-18 GrF
9	712-0459	2	/P	Nut, Hex Flange Lock, 7/16-20 GrB
10	712-3050	8	/P	Nut, Lug, 7/16-14
11	714-0507	2	S	Pin, Cotter, 3/32 x .75
12	736-0227	2	S	Washer, Flat, .39 x 1.5 .134
13	738-04192	2		Rod, .405 x 14.0
14	747-04217C	2	S	Rod, Bypass
15	750-04561	2		Tube, .45 x .69 x 10.2
16	754-04043	1	S	V-Belt, Type A Sec x 57.7
17	726-04059	2		Clamp, Hose Used ONLY with 618-04431 & 618-04432 Trans.
18	751-10474	2		Hose, Breather Used ONLY with 618-04431 & 618-04432 Trans.

17AF2ACP711 MUSTANG RZT 50 (2007)
Mower Deck



17AF2ACP711 MUSTANG RZT 50 (2007)
Mower Deck

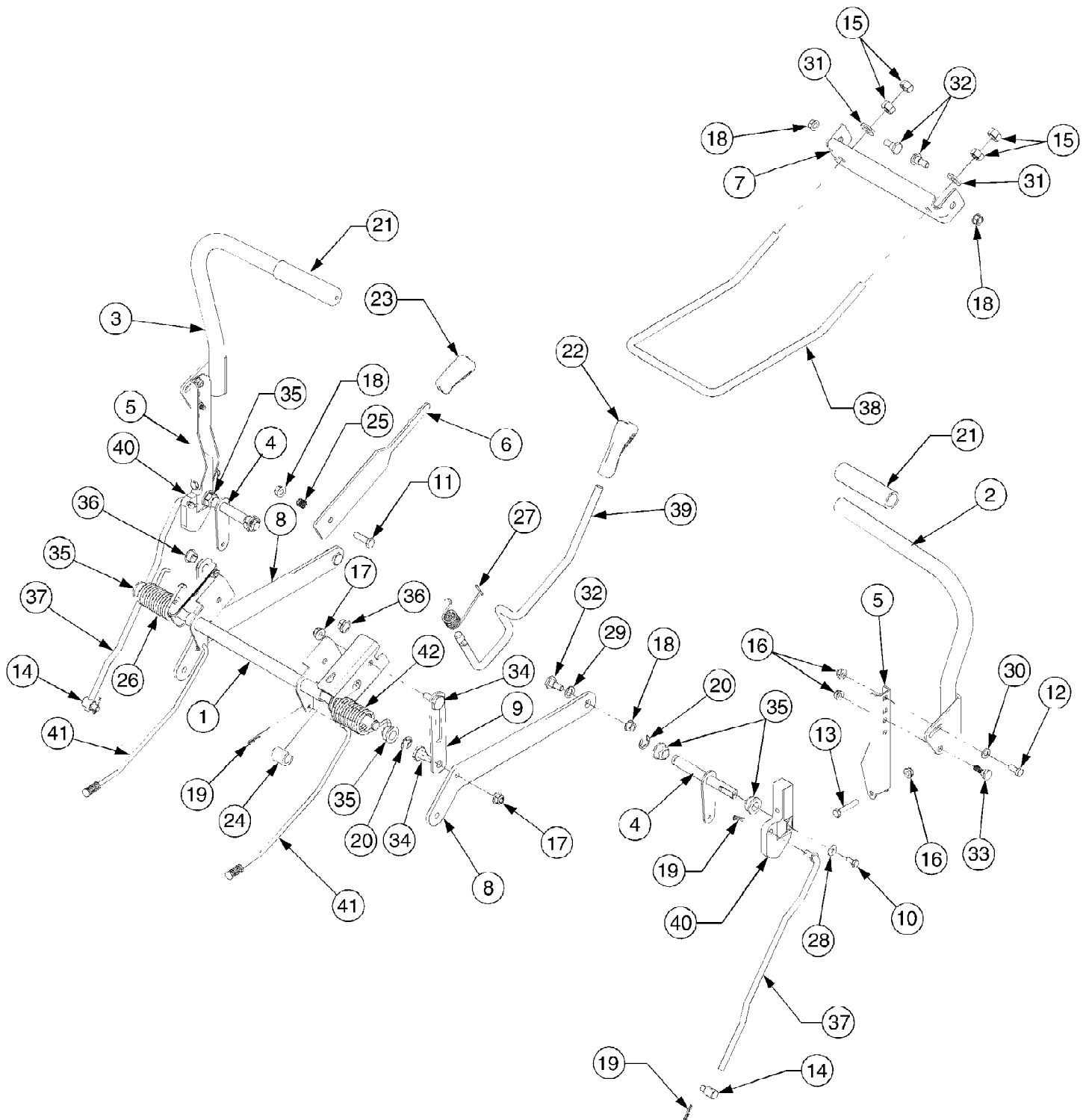
Page 12 of 21

Ref #	Part Number	Qty	S/P/F	Description
1	603-04328	1	S	Housing, Deck
1	777S32598	1		Graphic, Danger
1	777S30503	1	/P	Graphic, Danger
1	777I22282	1	S	Graphic, Instruction
1	777D10896	1		Graphic, Troy-Bilt
2	618-04126A	3	S	Spindle Assembly
3	631-04070A	1	/P	Chute Assembly, Discharge
3	777S30284	1	S	Graphic, Danger
4	683-0254	1	S	Bracket, Deck Hanger
5	703-05825A	1		Arm, Idler
6	703-3279	1		Bracket, Stop
7	703-3511A	1	S	Guard, Finger
8	710-0347	3	/P	Screw, Hex Cap, 3/8-16 x 1.75 GR5
9	710-0528	1	/P	Screw, Hex Cap, 5/16-18 x 1.25 GR5
10	710-0599	7	/P	Screw, Hex Wash. Hd. Tapp, 1/4-20 x .5
11	710-0726	6	/P	Screw, Hex Wash. Hd. Tapp, 5/16-12 x .75
12	710-1260A	12	/P	Screw, Hex Wash. Hd. Tapp, 5/16-18 x .75
13	710-3005	1	/P	Screw, Hex Cap, 3/8-16 x 1.25 GR5
14	710-3168	1	/P	Screw, Carriage, 3/8-16 x 1.0
15	710-3178	4	/P	Screw, Carriage, 3/8-16 x .75
16	712-04065	9	/P	Nut, Hx Insert Flange Lck, 3/6-16 GrF
17	712-0417A	3	/P	Nut, Hex Flange, 5/8-18
18	712-0431	4	S	Nut, Hex Flange Lock, 3/8-16 GRF
19	712-0641	2	S	Nut, Hex, M16-1.5
20	714-0470	2	S	Pin, Cotter, 1/8 x 1.25
21	717-04074	1	S	Gear, Deck Adjustment
22	721-04041	1	S	Adapter, Water Nozzle
23	732-0306A	2	S	Spring, Compression
24	732-0459	1	S	Spring, Extension, .94 Dia. x 6.74
25	734-04155	4		Wheel, Deck Ball, 5.0
26	736-0119	1	S	Washer, Lock, 5/16
27	736-0407	1		Washer, Bell, .45 x 1.0 x .062
28	736-0225	2	/P	Washer, Internal Tooth Lock, 5/8
29	736-3072	3	/P	Washer, Flat, .38 x .93 x .110 HT
30	737-04003C	2	S	Nozzle, Deck Wash
31	738-04162A	1	/P	Spacer, Shoulder, .884 x .190
32	738-3056	4	S	Screw, Shoulder, .5 x 2.5:3/8-16
33	742-04053A	3	S	Blade, 2 in 1, 17.9 Lg
34	747-1116	2	/P	Rod, Deck Hanger
35	754-04044A	1		Belt V, Type A Sec x 134
36	756-04129	3	S	Pulley, Idler, 4.25 Dia
37	783-04399	1		Cover, Belt LH
38	783-04400	1		Cover, Belt RH
39	783-04414	1	S	Skirt, Center
40	783-04415	1		Skirt, RH
41	783-05030	1		Bracket, Chute Mounting
42	732-04372	1		Spring, Torsion
43	711-04565	1		Pin, Hinge
44	736-0315	3	/P	Washer, Flat, .76 x 1.50 x .12
45	737-3000	3	S	Fitting, Lube
46	738-1010A	3	/P	Shaft, Spindle, 5.75
47	741-0919	6	S	Bearing, Ball
48	748-0160A	3		Spacer, .79 x 1.25 x .175

17AF2ACP711 MUSTANG RZT 50 (2007)
Mower Deck

Page 13 of 21

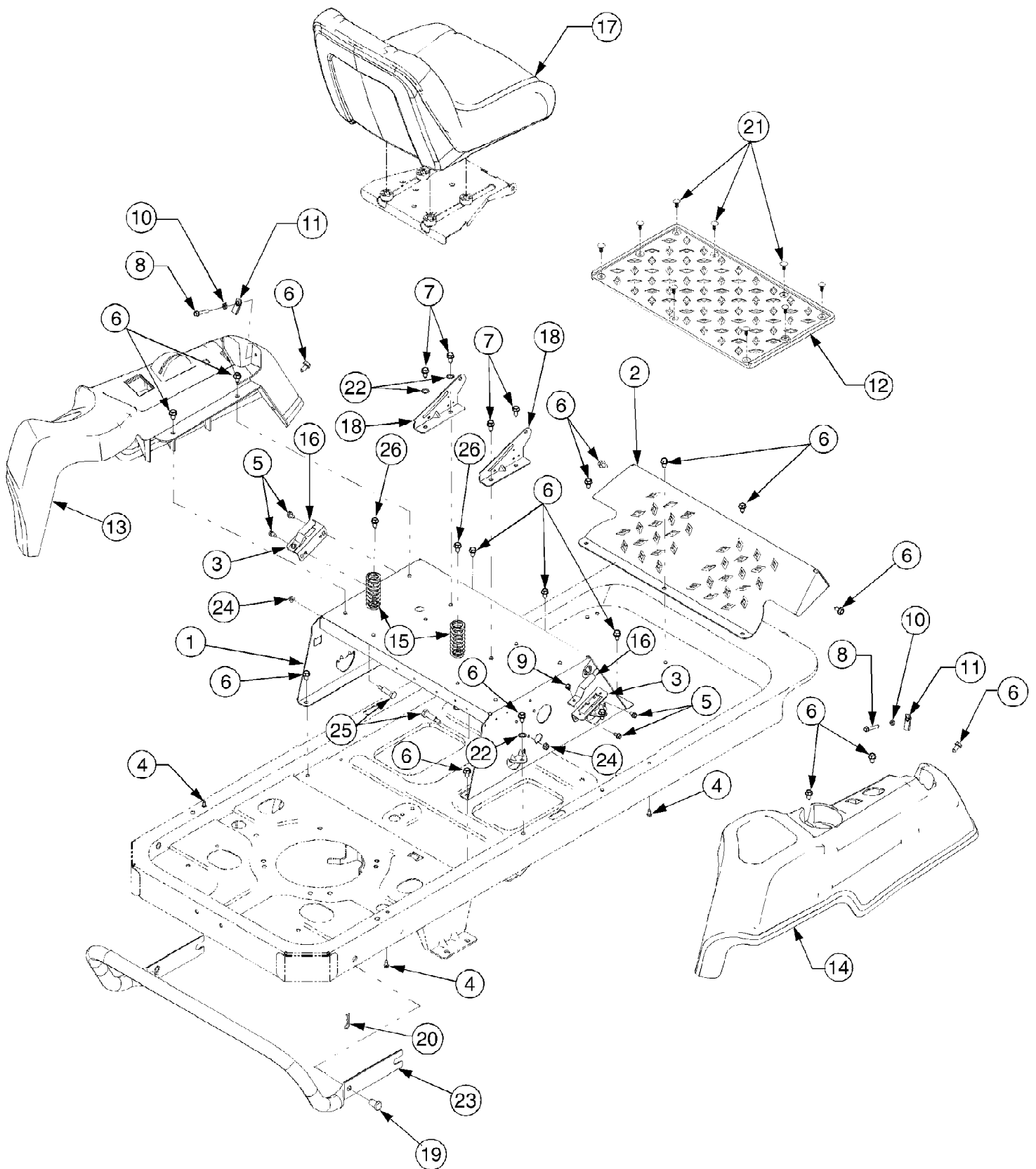
Ref #	Part Number	Qty	S/P/F	Description
49	750-1000	6		Spacer, .80 x 1.10 x 1.32
50	750-1349A	3	/P	Spacer, .79 x 1.82 x .55
51	756-04216	3		Pulley, V Type, 5.39



17AF2ACP711 MUSTANG RZT 50 (2007)
Operator's Controls

Page 15 of 21

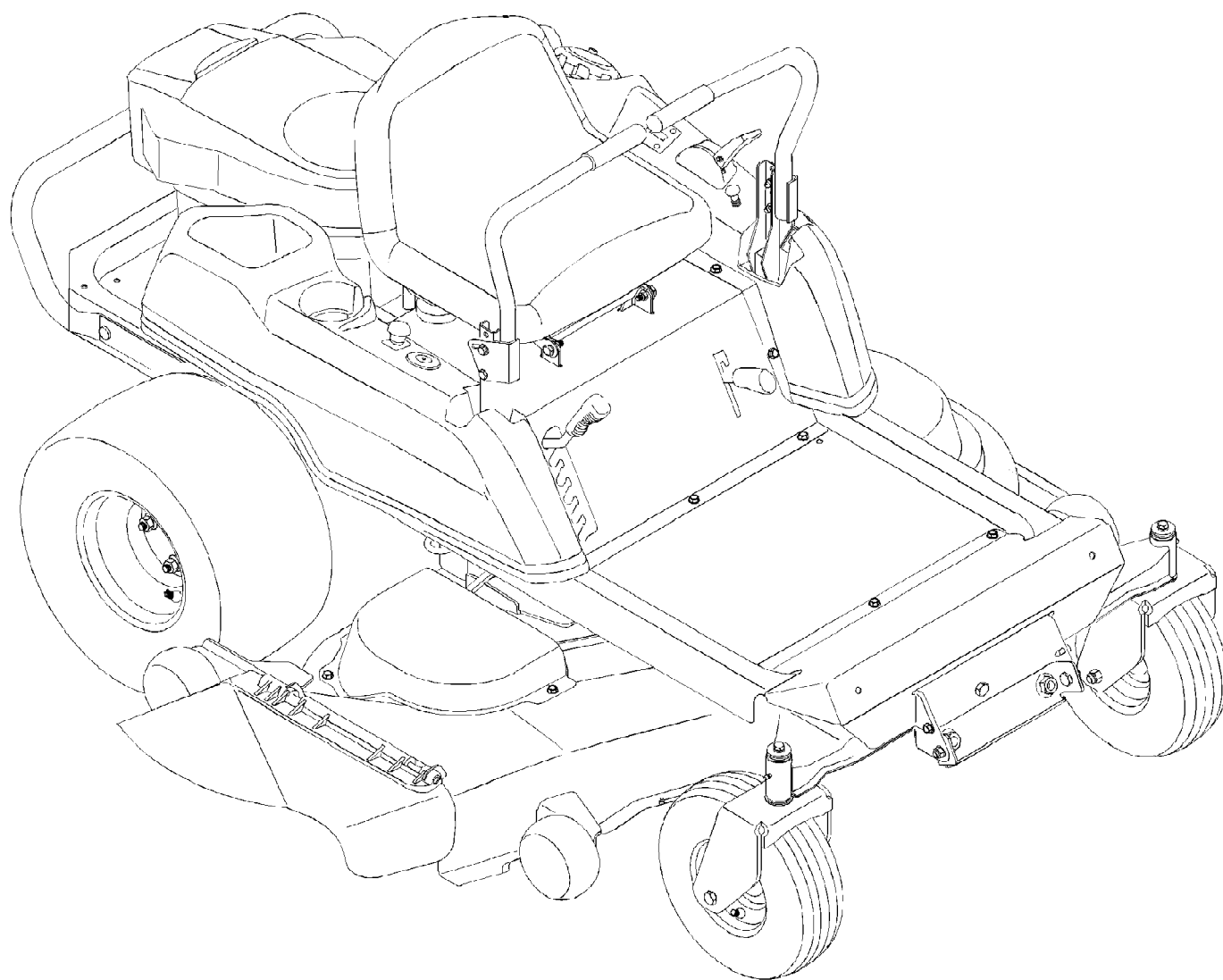
Ref #	Part Number	Qty	S/P/F	Description
1	603-04160B	1	S	Shaft Assembly, Deck Lift
2	603-04387	1		Lever, Lapbar, RH
3	603-04388	1		Lever, Lapbar, LH
4	647-04099	2	S	Shaft, Control
5	703-05387A	2	S	Bracket, Lapbar Pivot
6	703-05396	1	S	Handle, Brake
7	703-05414A	1		Bracket, Front Deck Hanger
8	703-05793A	2		Arm, Deck Lift
9	703-05907	2		Plate, Lift Link
10	710-0433	2	/P	Screw, Hex Lock, 1/4-20 x .62 GR5
11	710-3005	1	/P	Screw, Hex Cap, 3/8-16 x 1.25 GR5 ...
12	710-3008	2	/P	Screw, Hex Cap, 5/16-18 x .75 GR5 ...
13	710-3180	2	/P	Screw, Hex Cap, 5/16-18 x 1.75 GR5
14	711-0832	2	S	Ferrule, 3/8-24 x .375
15	712-0206	4	S	Nut, Hex, 1/2-13 GR5
16	712-04063	6	/P	Nut, Hx Flange Insert Lck, 5/16-18 GrF
17	712-04065	4	/P	Nut, Hx Flange Insert Lck, 3/8-16GrF
18	712-0431	5	S	Nut, Hex Flange Lock, 3/8-16 GRF
19	714-0104	6	S	Pin, Internal Cotter
20	716-0106	4	/P	E-Ring , .625 Dia. Shaft
21	720-0274	2	/P	Grip, Hand
22	720-0311	1		Grip, Handle
23	731-04735	1		Grip, Handle
24	731-05732	1		Spacer, .62 x 1.0
25	732-0334	1	S	Spring, Compression
26	732-04420	1		Spring, Torsion LH
27	732-04422	1	S	Spring, Torsion
28	736-0270	2	/P	Washer, Bell, .265 x .75 x .062
29	736-0272	2	S	Washer, Flat, .51 x 1.0 x .06
30	736-0275	2	S	Washer, Flat, .344 x .688 x .065
31	736-3019	2		Washer, Flat, .531 x 1.062 x .134 HT ..
32	738-0143	4	/P	Screw, Shoulder, .498 x .340:3/8-16
33	738-0296	2	S	Screw, Shoulder, .437 x .268:5/16-18
34	738-0507B	4	S	Screw, Shoulder, .5 x .434:3/8-16
35	741-0225	6	S	Bearing, Hex Flange
36	741-3074	2		Bearing, Flange, .626 x .938 x .344
37	747-04225A	2	/P	Rod, Lapbar Control
38	747-04401A	1		Rod, Deck Front Hanger
39	747-04637	1		Rod, Deck Lift Handle
40	748-04052	2		Hub, Control
41	947-04065	2	/P	Rod, Brake
42	732-04421	1		Spring, Torsion RH



17AF2ACP711 MUSTANG RZT 50 (2007)
Operator's Platform

Page 17 of 21

Ref #	Part Number	Qty	S/P/F	Description
1	603-04326B	1		Frame, Seat Box
1	777S32821	1		Graphic, Warning/Deck Ht./Brake
2	703-05373B	1		Bracket, Foot Rest
2	777D10174	1		Graphic, Troy-Bilt
2	777D10711	1		Graphic, Ground Control
3	703-05467	2		Bracket, Switch Mounting
4	710-04261	4		Screw, Hex Wash. Hd Tapp #12-16 x .50
5	710-0599	4	/P	Screw, Hex Wash. Hd. Tapp. 1/4-20 x .50
6	710-0604A	20	/P	Screw, Hex Wash. Hd. Tapp 5/16-18 x .625
7	710-0726	4	/P	Screw, Hex Wash. Hd. Tapp 5/16-12 x .75
8	710-0778	2	/P	Screw, Hex Wash. Hd. Tapp.1/4-20 x 1.5
9	710-1268	2	/P	Screw, Hex Wash. Hd Tapp #10-16 x .375
10	712-0298	2	S	Nut, Hex Jam, 1/4-20 GR2
11	712-04092	2		Nut, U Type Speed, 1/4-20
12	735-04082	1		Pad, Foot
13	731-04662C	1	S	Console, LH
13	777I22751	1		Graphic, Instruction
13	777D10713	1		Graphic, Troy-Bilt
13	777I22309	1		Graphic, Throttle Control
14	731-04663B	1	S	Console, RH
14	777I22754	1		Graphic, Instruction
14	777D10712	1		Graphic, Troy-Bilt
15	732-04035	2		Spring, Compression, 1.28 x 3.125
16	732-04200	2	/P	Spring, Switch Actuator
17	757-04010	1	S	Seat
18	783-1489C	2		Bracket, Seat Pivot
19	711-0332	2	S	Pin, Clevis, .5 x .78
20	714-04023	2	S	Pin, Internal Cotter
21	726-3046	9	/P	Clip, Ratchet
22	736-0148	3		Washer, External Tooth, 3/8
23	749-04358	1		Bumper
24	712-04064	2	/P	Nut, Hex Insert Lock, 1/4-20
25	738-0572	2	S	Screw, Shoulder, .374 x 1.16:1/4-20
26	710-1260A	2	/P	Screw, Hex Wash. Hd. Tapp 5/16-18 x .75

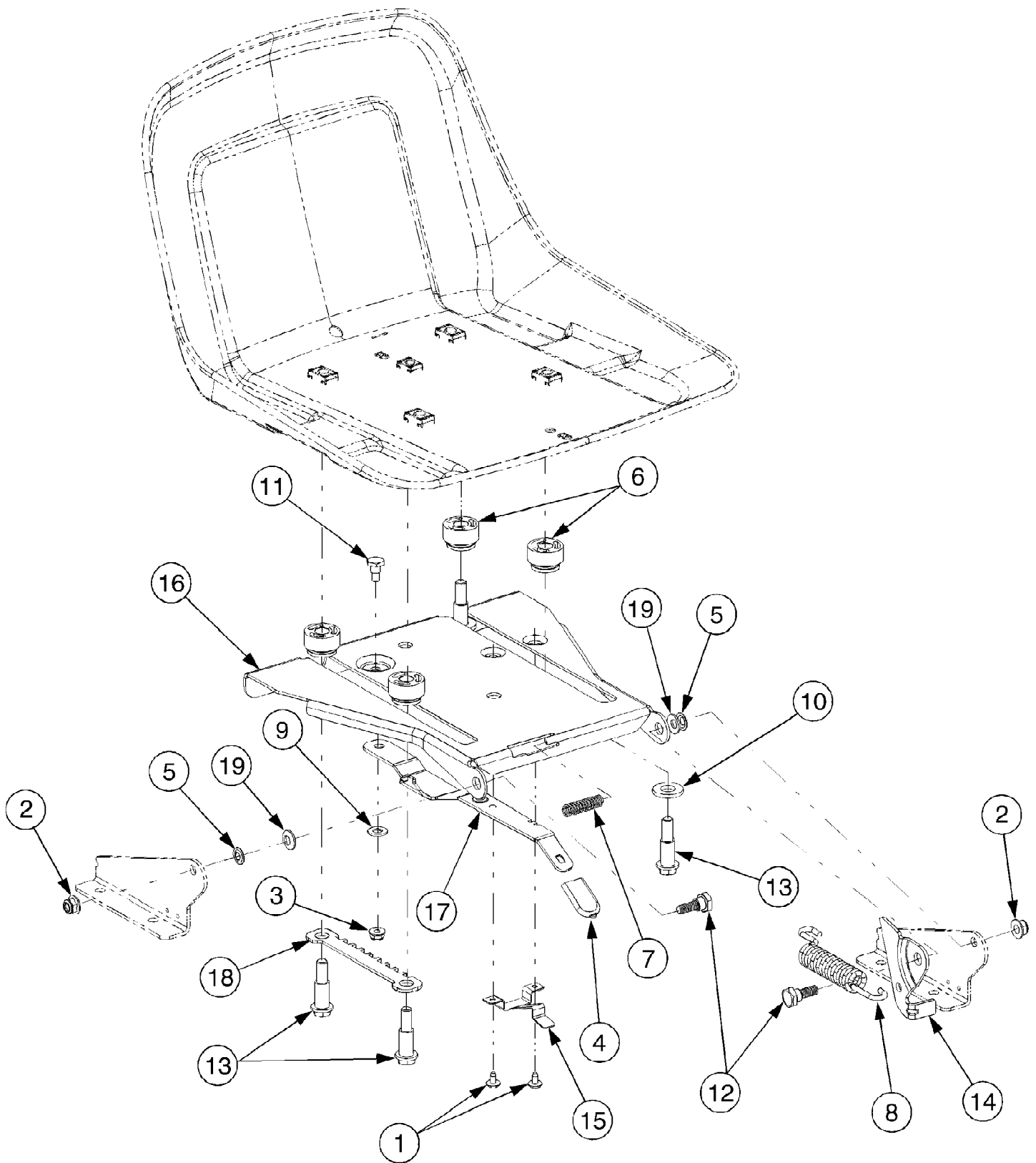


17AF2ACP711 MUSTANG RZT 50 (2007)
Quick Reference

Page 19 of 21

Ref #	Part Number	Qty	S/P/F	Description
	942-04053A	3	S	Blades
	712-0417A	1	/P	Blade Nut
	N/A	1		Upper drive Belt
	954-04043	1	S	Lower drive Belt
	954-04044A	1	/P	Deck Spindle Belt
	N/A	1		Engine To deck Belt
	918-04126A	3	S	Deck Spindles
	925-1745	1	S	Ignition Keys
	725-04439	1		Solenoid
	KH-12-050-01-S	1	/P	Oil Filter
	OCC-32-083-03	1	S	Air Filter
	N/A	1		Pre-Cleaner Element
	759-3336	1	/P	Spark Plug
	KH-25-050-22-S1	1	/P	Fuel Filter
	951-3124B	1	S	Fuel Cap
	734-04155	4		Deck Wheels
	N/A	1		Ball Joints
	741-0516B	1	/P	Wheel Bushings
	741-0990B	1	/P	Wheel Bushings in board
	725-04174	1	S	Safety Switch-deck
	725-04232	1		Safety Switch-Brake/ Clutch
	737-04003C	1	S	Water Nozzle Adapter
	590-303-000	1		50" Double Bagger (Attachment)

17AF2ACP711 MUSTANG RZT 50 (2007)
Seat Adjustment



17AF2ACP711 MUSTANG RZT 50 (2007)
Seat Adjustment

Page 21 of 21

Ref #	Part Number	Qty	S/P/F	Description
1	710-1268	2	/P	Screw, Hx. Wash. Hd. Tapp #10-16 x .375
2	712-04063	2	/P	Nut, Hx Insert Flange Lck, 5/16-18 GrF
3	712-04064	1	/P	Nut, Hx Insert Flange Lck, 1/4-20 GrF
4	720-0309A	1	/P	Grip, Seat Adjustment
5	726-0201	2		Nut, Speed, .3125
6	731-04074	4		Spacer, Seat Adjustment
7	732-0499	1		Spring, Compression, .41 x 1.5
8	732-1184	1	/P	Spring, Extension, .84 Dia. x 4.6
9	736-0204	1	/P	Washer, Flat, .344 x .62 x .033
10	736-3019	2		Washer, Flat, .531 x 1.062 x .134 HT
11	738-0137A	1	S	Screw, Shoulder, .34 x .285:1/4-20
12	738-0296	2	S	Screw, Shoulder, .437 x .268:5/16-18
13	738-0966A	4	/P	Screw, Shoulder, .5 x .925:3/8-16
14	783-0209D	1	/P	Bracket, Seat Lift
15	783-0611	1		Stop, Seat Adjustment
16	783-0738C	1	S	Bracket, Seat Pivot
17	783-0739A	1	S	Lever, Seat Adjustment
18	783-0753	1		Index Bracket, Seat Adjustment
19	736-0242	2	/P	Washer, Belleville, .34 x .872 x .06