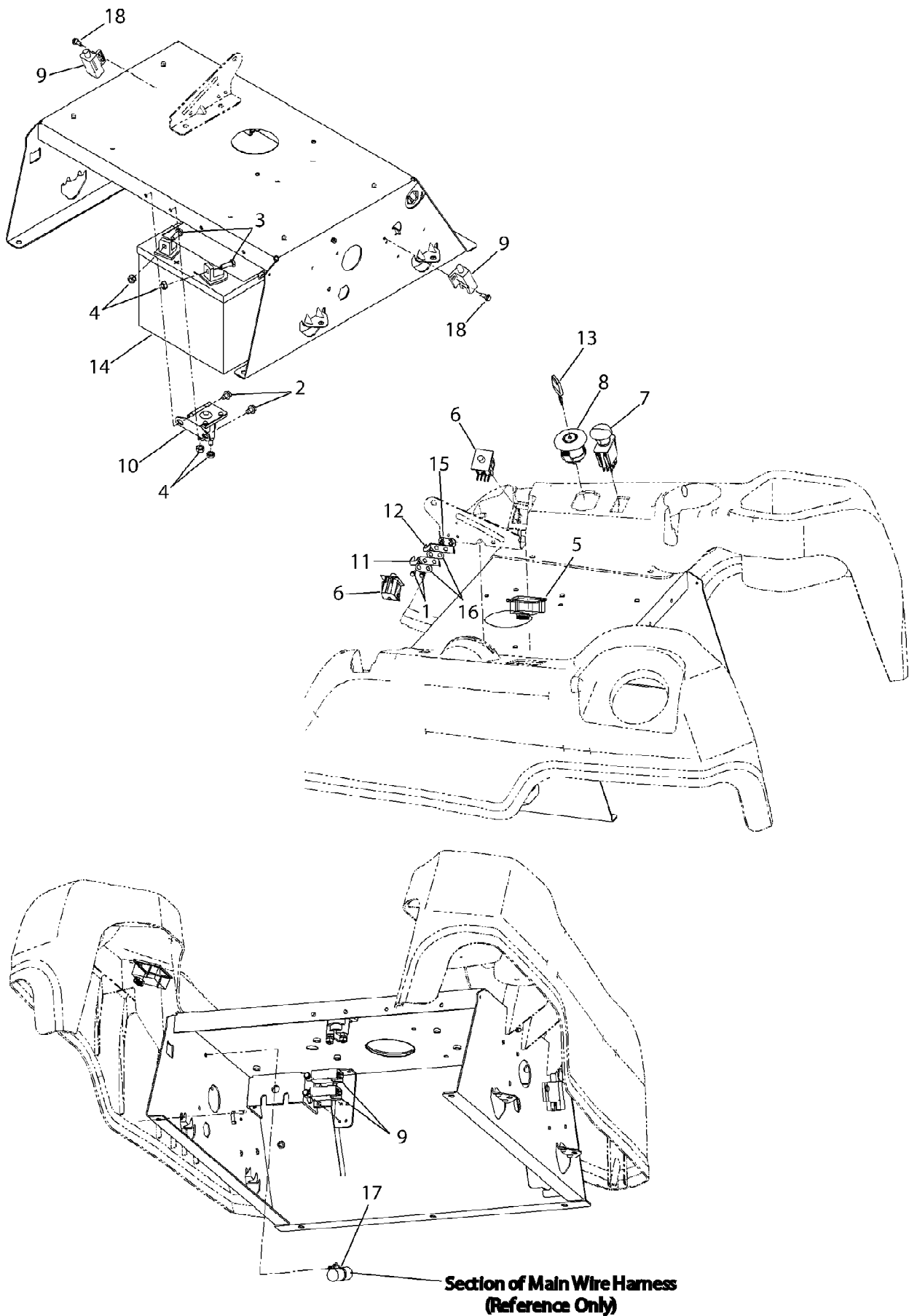


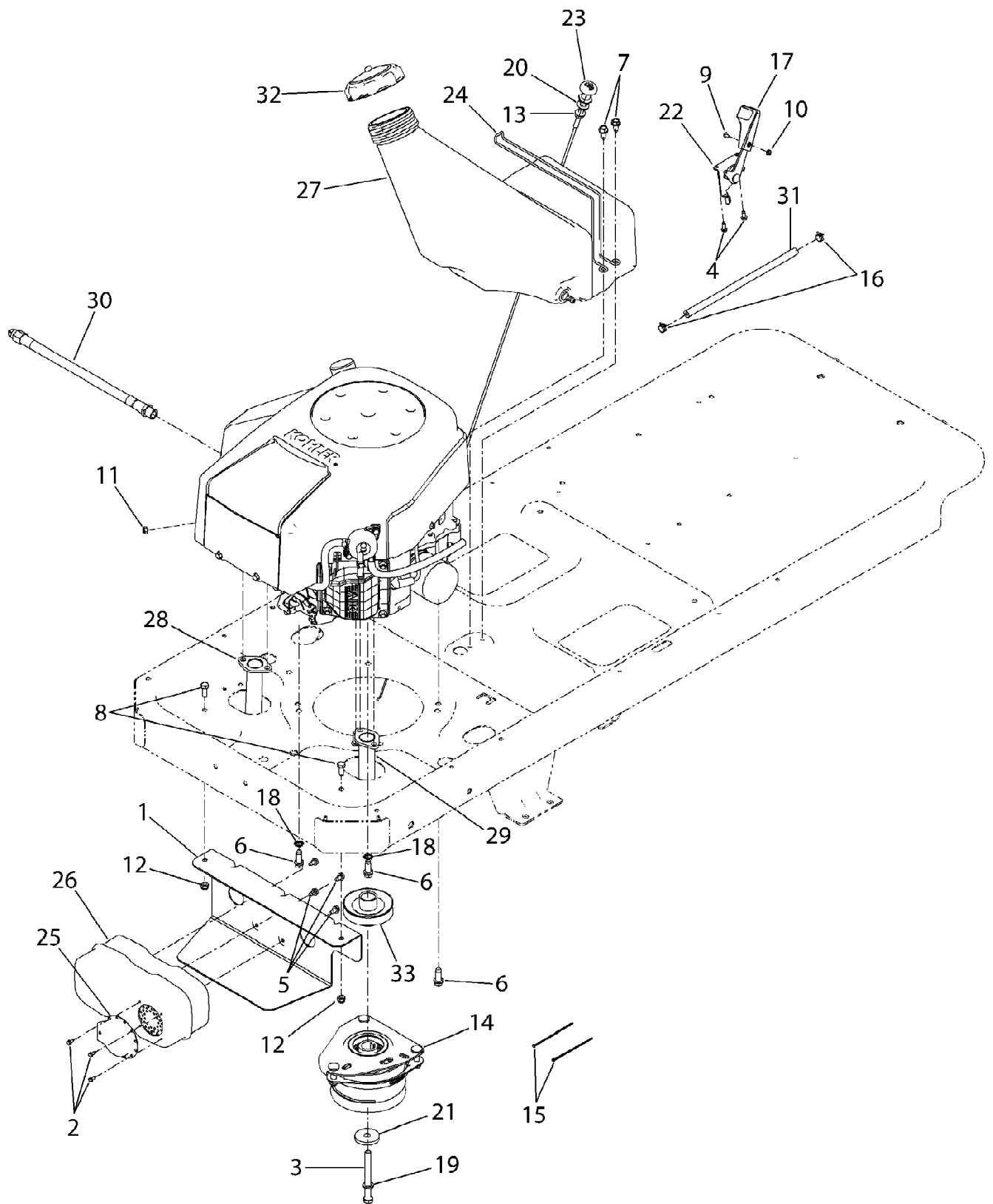
17AF2ACP066 MUSTANG RZT 50 (2008)
Electrical



17AF2ACP066 MUSTANG RZT 50 (2008)
Electrical

Page 2 of 23

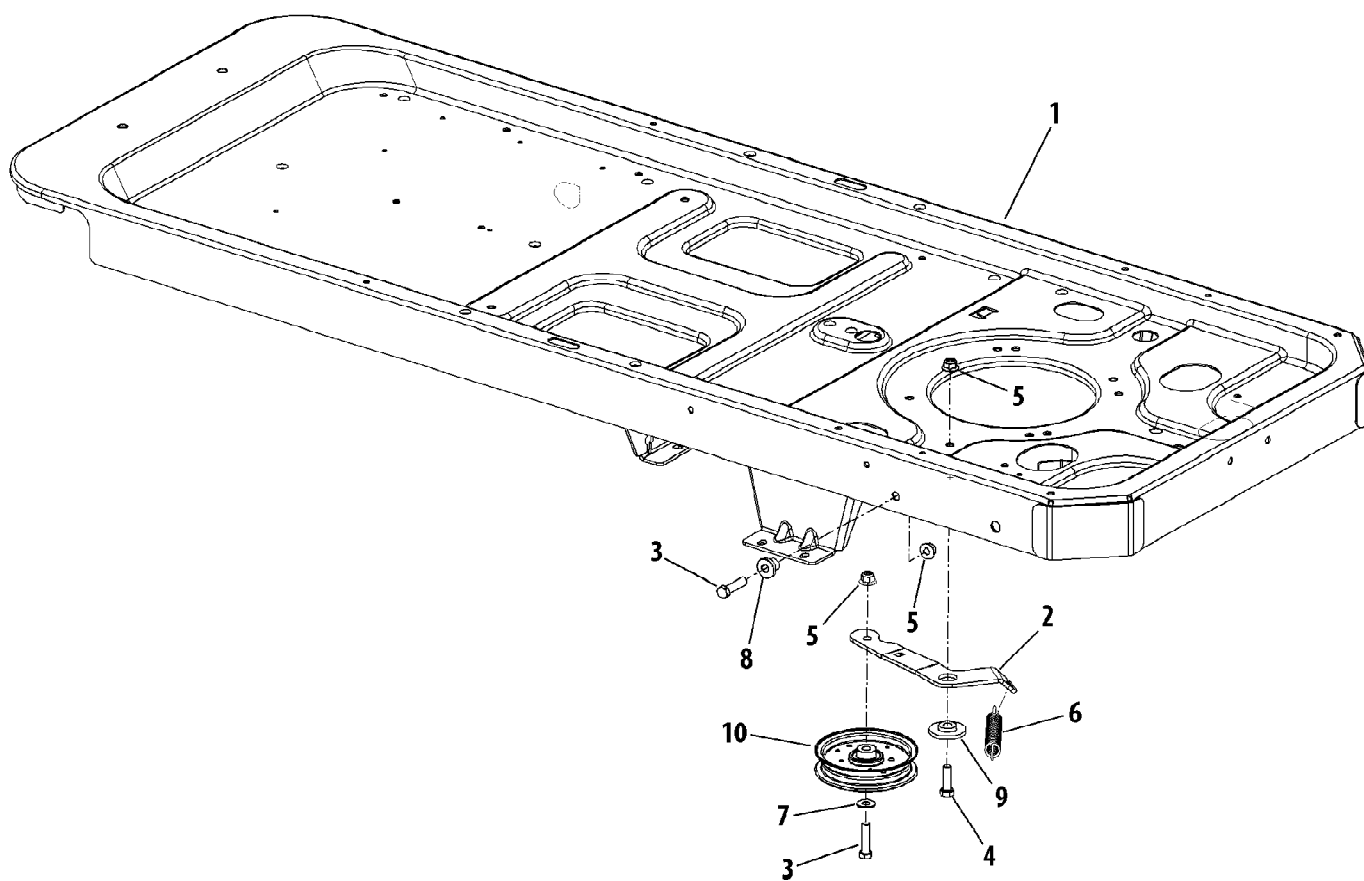
Ref #	Part Number	Qty	S/P/F	Description
1	710-0227	1	/P	Screw, Hex Wash. Hd. Tapp, #8-18 x .5
2	710-0653	1	/P	Screw, Hex Wash. Hd. Tapp, 1/4-20 x .375
3	710-3015	1	/P	Screw, Hex Cap, 1/4-20 x .75 GR5
4	712-0271	1	/P	Nut, Hex Sems, 1/4-20
5	725-04022B	1	S	Meter, Hour
6	725-04165	1	S	Switch, Dbl. Pole - Neutral
7	725-04174	1	S	Switch, PTO
8	725-04228	1	S	Switch, Ignition
9	725-04363	1		Switch, Interlock, (NO/NC) - Brake/Rev
10	725-04439	1		Solenoid
11	725-1303	1	S	Switch, Outer Seat Spring
12	725-1439	1		Switch, Inner Seat Spring
13	925-1745	1	S	Key
14	725-1707D	1	S	Battery, 235 CCA
15	726-0278	1		Plate, Insulator Boss
16	726-0279	1		Plate, Insulator
17	726-0470	1		Tie, Cable
18	738-04237A	1		Screw, Shoulder, #10-32 x .5
	725-04621	1	S	Harness Assembly, Wire Not shown



17AF2ACP066 MUSTANG RZT 50 (2008)
Engine Connections

Page 4 of 23

Ref #	Part Number	Qty	S/P/F	Description
1	703-05441A	1	/P	Bracket, Muffler Mounting
2	710-0227	1	/P	Screw, Hex Wash. Hd. Tapp #8-18 x .5
3	710-04248	1	/P	Screw, Hex Cap, 7/16-20 x 4.0 GR5
4	710-04261	1		Screw, Hex Wash. Hd. Tapp #12-16 x .5
5	710-0599	1	/P	Screw, Hex Wash. Hd. Tapp 1/4-20 x .5
6	710-0654A	1	/P	Screw, Hex Wash. Hd. Tapp Sems 3/8-16 x 1.0
7	710-0726	1	/P	Screw, Hex Wash. Hd. Tapp 5/16-12 x .75
8	710-3008	1	/P	Screw, Hex Cap, 5/16-18 x .75 GR5
9	710-3217	1	/P	Screw, Truss Hd. Mach. #8-32 x .375
10	712-0142	1	/P	Nut, Hex, #8-32
11	712-0271	1	/P	Nut, Hex Sems, 1/4-20
12	712-0429	1	S	Nut, Hex Insert Lock, 5/16-18 GR5
13	712-3005	1	S	Nut, Hex Jam, 3/8-16 GR2
14	717-04183	1	S	Clutch Assembly, Electric PTO
15	726-0197	1		Tie, Clutch Wire
16	726-0205	1	/P	Clamp, Hose
17	731-04914	1	/P	Knob, Throttle Control
18	736-0148	1		Washer, External Tooth Lock, 3/8
19	736-0171	1	S	Washer, Lock, 7/16
20	736-0300	1	S	Washer, Flat, .406 x .875 x .059
21	736-04131	1	/P	Washer, Flat, .438 x 1.75 x .25
22	746-04066	1		Cable, Throttle, 34.25 Lg
23	746-04214	1	S	Cable, Choke, 61Lg
24	747-04228A	1		Wire, Tank Mounting
25	751-0564B	1	/P	Deflector, Muffler
26	751-0616A	1	S	Muffler
27	751-10057C	1	S	Tank, Fuel, 3.0 Gal.
28	751-10253	1		Pipe, Exhaust LH
29	751-10254	1		Pipe, Exhaust RH
30	751-10291	1		Hose, Oil Drain Extension
31	751-10349-13	1	/P	Hose, Fuel Line
32	751-3124B	1	S	Cap, Fuel
33	756-04376	1		Pulley, Drive replaces 756-0978B in this application

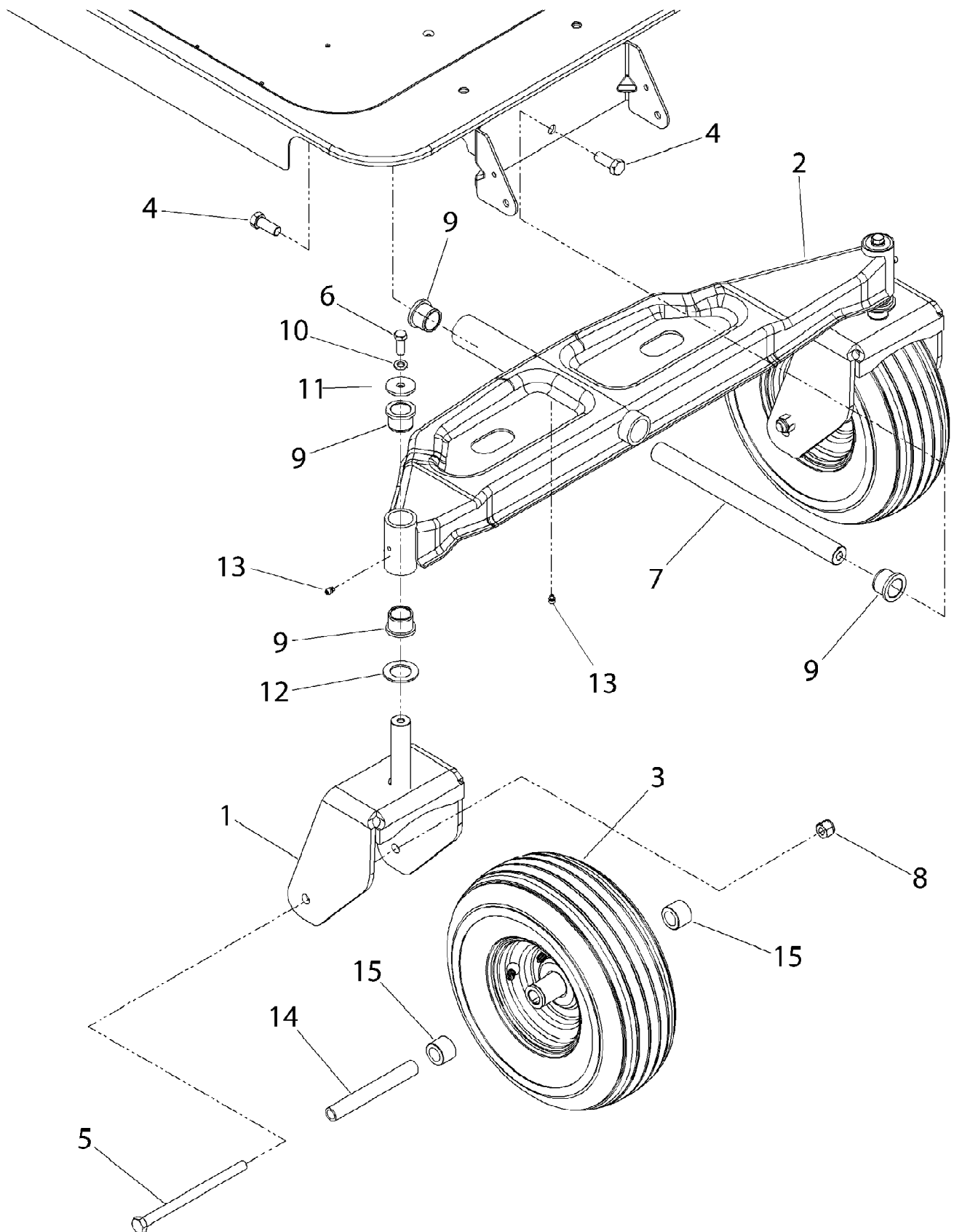


17AF2ACP066 MUSTANG RZT 50 (2008)
Frame

Page 6 of 23

Ref #	Part Number	Qty	S/P/F	Description
1	603-04303D	1		Frame
2	703-05829	1	/P	Arm, Idler
3	710-0520	1	/P	Screw, Hex Cap, 3/8-16 x 1.5 Gr5
4	710-3005	1	/P	Screw, Hex Cap, 3/8-16 x 1.25 Gr5
5	712-04065	1	/P	Nut, Hex Flange Lock, 3/8-16 GrF
6	732-0626	1		Spring, Extension, .75 x 5.06
7	736-0300	1	S	Washer, Flat, .406 x .875 x.059
8	738-04058	1		Spacer, Shoulder, .38 x 1.0 x .7
9	738-04162A	1	/P	Spacer, Shoulder, .884 x 1.9
10	756-04129	1	S	Pulley, Idler, 4.25" Dia.

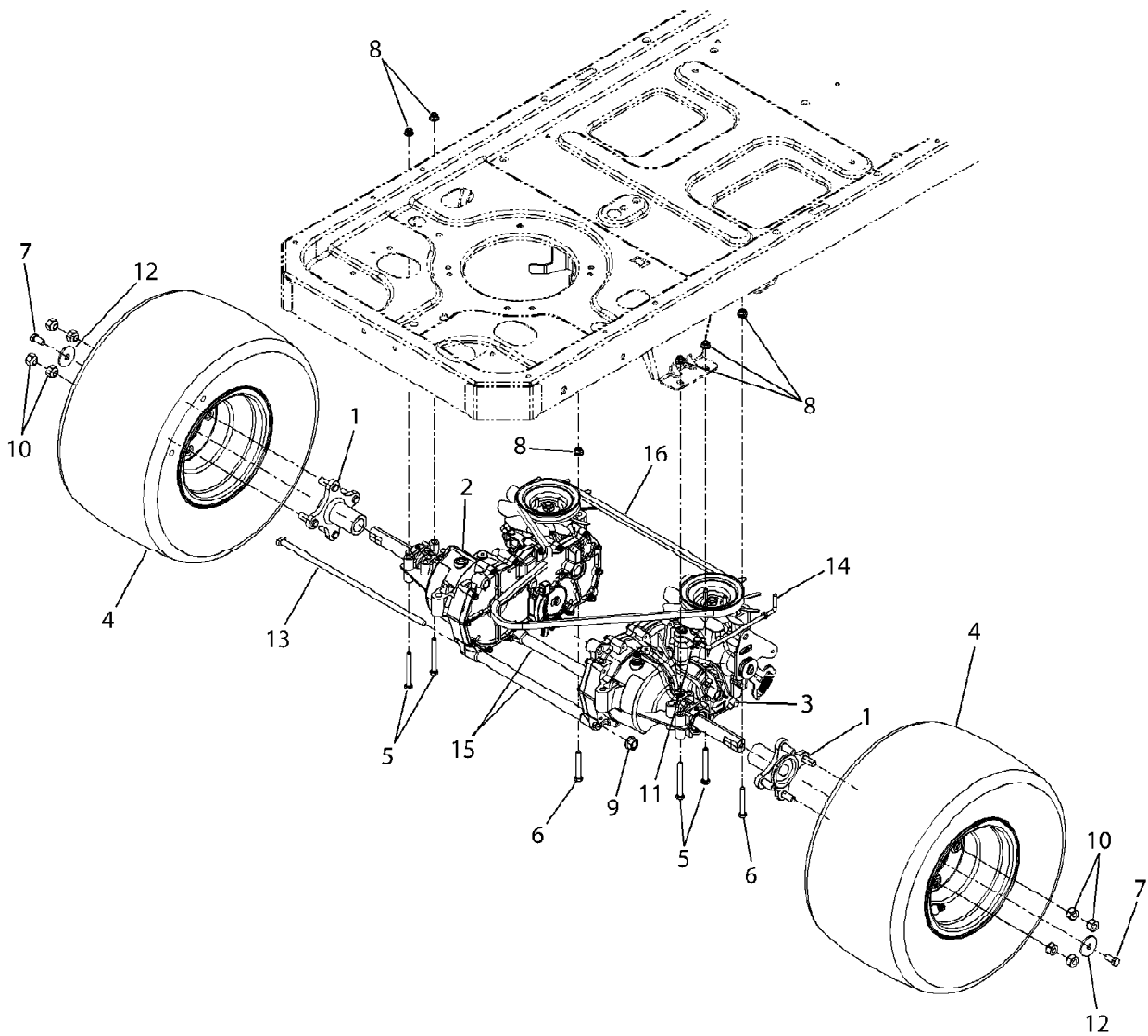
17AF2ACP066 MUSTANG RZT 50 (2008)
Front Axle



17AF2ACP066 MUSTANG RZT 50 (2008)
Front Axle

Page 8 of 23

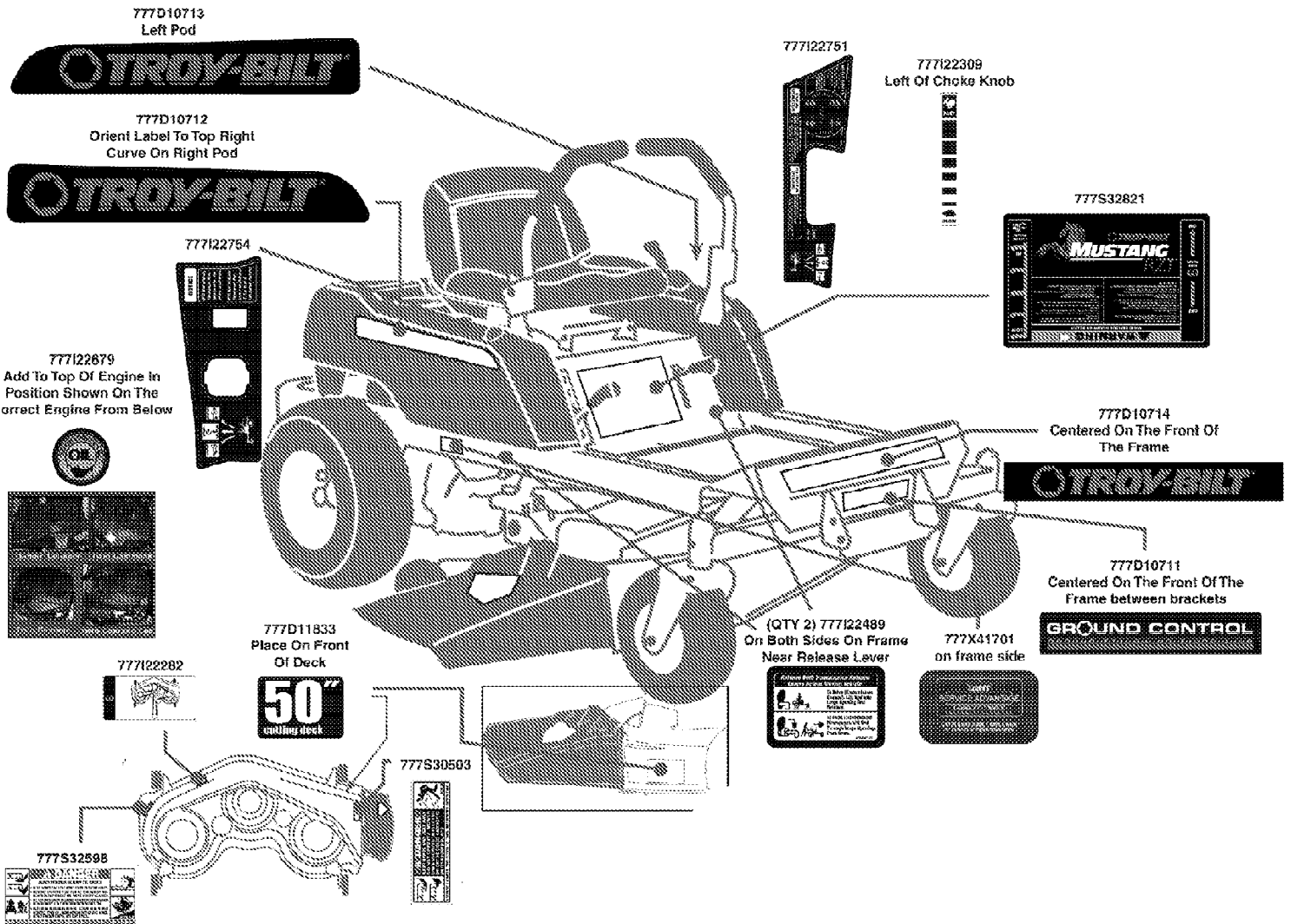
Ref #	Part Number	Qty	S/P/F	Description
1	603-04370	1		Bracket, Castor Wheel
2	603-04385A	1		Axle, Front Pivot
3	634-04323A	1	/P	Wheel Assembly, 13 x 5-6
3	734-04255	1		Tire, 13 x 5-6 Not shown
4	710-04186	1	/P	Screw, Hex Lock, 1/2-13 x 1.25 GR5
5	710-04652	1		Screw, Hex Cap, 1/2-20 x 7.25 Gr5
6	710-0514	1	/P	Screw, Hex Cap, 3/8-16 x 1.0 GR5
7	711-04228	1	S	Shaft, Axle
8	712-3058	1		Nut, Hex Insert Lock, 1/2-13 GRB
9	731-05500	1		Bearing, Flange, 1.0 x 1.246
10	736-0169	1	S	Washer, Lock, 3/8
11	736-0227	1	S	Washer, Flat, .39 x 1.5 x .134
12	736-0250	1	/P	Washer, Flat, 1.0 x 1.75 x .10
13	737-3000	1	S	Fitting, Lube, 3/16 Drive
14	750-04775A	1	/P	Spacer, .51 x .75 x 5.825
15	750-04792	1		Hub, .76 x 1.23 x .92



17AF2ACP066 MUSTANG RZT 50 (2008)
Hydro Transmissions & Rear Wheels

Page 10 of 23

Ref #	Part Number	Qty	S/P/F	Description
1	618-04317	1	S	Hub, Wheel Double D
1	710-0852	1	/P	Stud, Rib Neck, 7/16-14 x 1.6
2	618-04431A	1	S	Transmission Assembly, LH Uses Double D Hub
2	759-04144	1		Transmission Assembly, LH, Service Kit contains 618-04431A
2	732-04448	1	/P	Neutral Return Spring Included in service kit, not shown, must have the same color neutral return spring on RH & LH transmission
3	618-04432A	1	S	Transmission Assembly, RH Uses Double D Hub
3	759-04145	1		Transmission Assembly, RH, Service Kit contains 618-04432A
3	732-04448	1	/P	Neutral Return Spring Included in service kit, not shown, must have the same color neutral return spring on RH & LH transmission
4	634-04171	1	S	Wheel Assembly, 18 x 9.5 x 8
4	734-1729	1		Tire, 18 x 9.5 x 8 Not shown
4	734-0255	1	S	Valve Assembly Not shown
4	603-04175	1		Rim Assembly Not shown
6	710-0395	1	/P	Screw, Hex Cap, 5/16-18 x 2.25 GR5
5	710-0176	1	/P	Screw, Hex Cap, 5/16-18 x 2.75 GR5
7	710-3119	1	/P	Screw, Hex Cap Lock, 3/8-16 x .75 GR5
8	712-04063	1	/P	Nut, Hx Flnge Insert Lck, 5/16-18 GrF
9	712-0459	1	/P	Nut, Hex Flange Lock, 7/16-20 GrB
10	712-3050	1	/P	Nut, Lug, 7/16-14
11	714-0507	1	S	Pin, Cotter, 3/32 x .75
12	736-0227	1	S	Washer, Flat, .39 x 1.5 .134
13	738-04192	1		Rod, .405 x 14.0
14	747-04217C	1	S	Rod, Bypass
15	750-04561	1		Tube, .45 x .69 x 10.2
16	754-04043	1	S	V-Belt, Type A Sec x 57.7

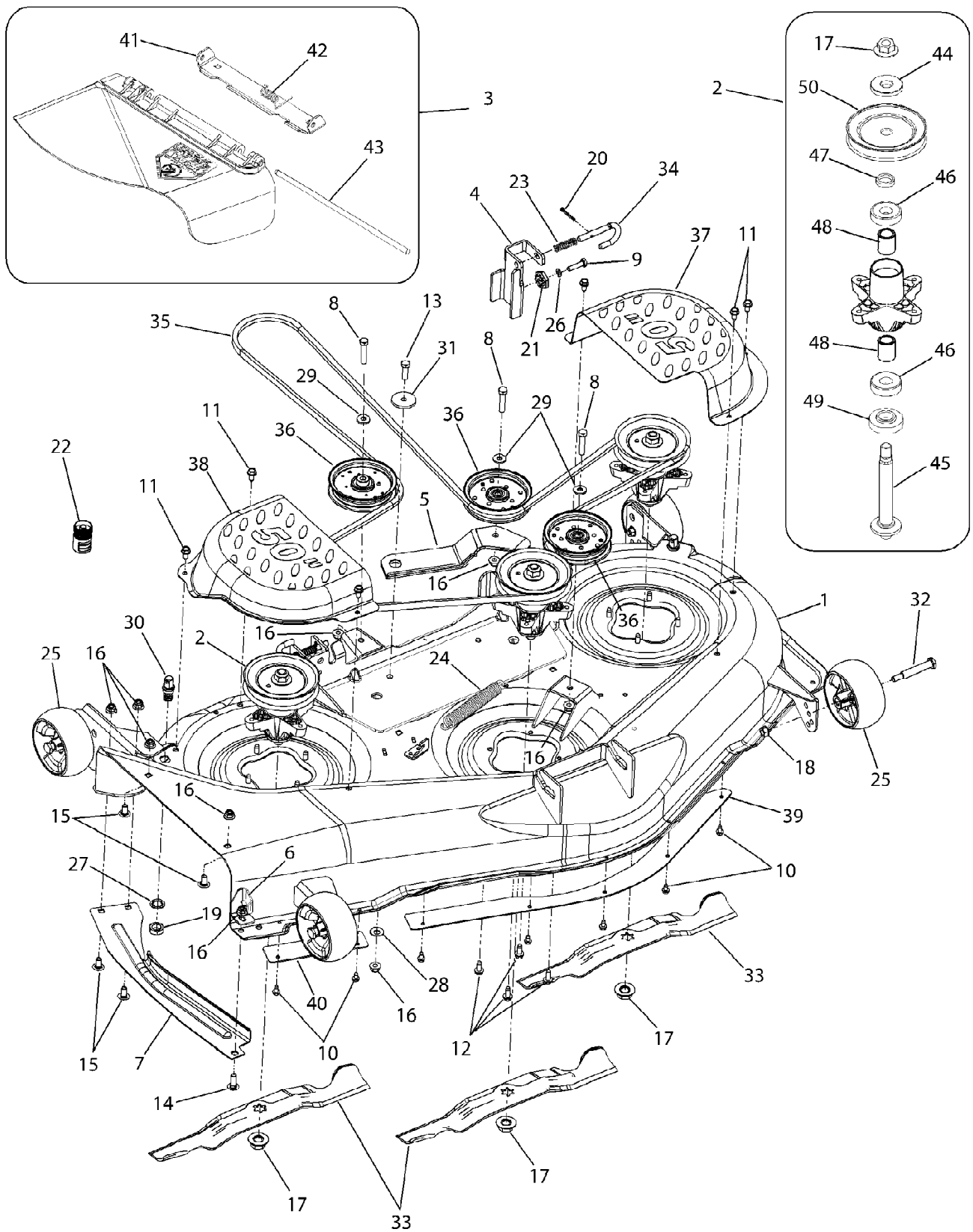


17AF2ACP066 MUSTANG RZT 50 (2008)
Label Map

Page 12 of 23

Ref #	Part Number	Qty	S/P/F	Description
777D10713	777D10713	1		LABEL-LH POD
777D10712	777D10712	1		LABEL-RH POD
777I22754	777I22754	1		LABEL-RH CONTROL
777I22679	777I22679	1		LABEL-CHECK ENG OIL
777I22282	977I22282	1	/P	LABEL-BELT ROUTE
777S32598	777S32598	1		LABEL-RZT DECK WARNG STRAIGHT
777D11833	777D11833	1		LABEL-RIDER DECK TROY 50"
777S30503	777S30503	1	/P	LABEL-DANGER CHUTE
777I22489	777I22489	1		LABEL-TRNMSN RELEASE
777X41701	777X41701	1		LABEL
777D10711	777D10711	1		LABEL-RZT AXLE PIVOT
777D10714	777D10714	1		LABEL-FRONT FRAME
777S32821	777S32821	1		LABEL-RDR SFTY SEAT BOX T-BILT
777I22309	977I22309	1		LABEL-THROTTLE
777I22751	777I22751	1		LABEL-LH CONTROL W/CHOKE

17AF2ACP066 MUSTANG RZT 50 (2008)
Mower Deck



17AF2ACP066 MUSTANG RZT 50 (2008)
Mower Deck

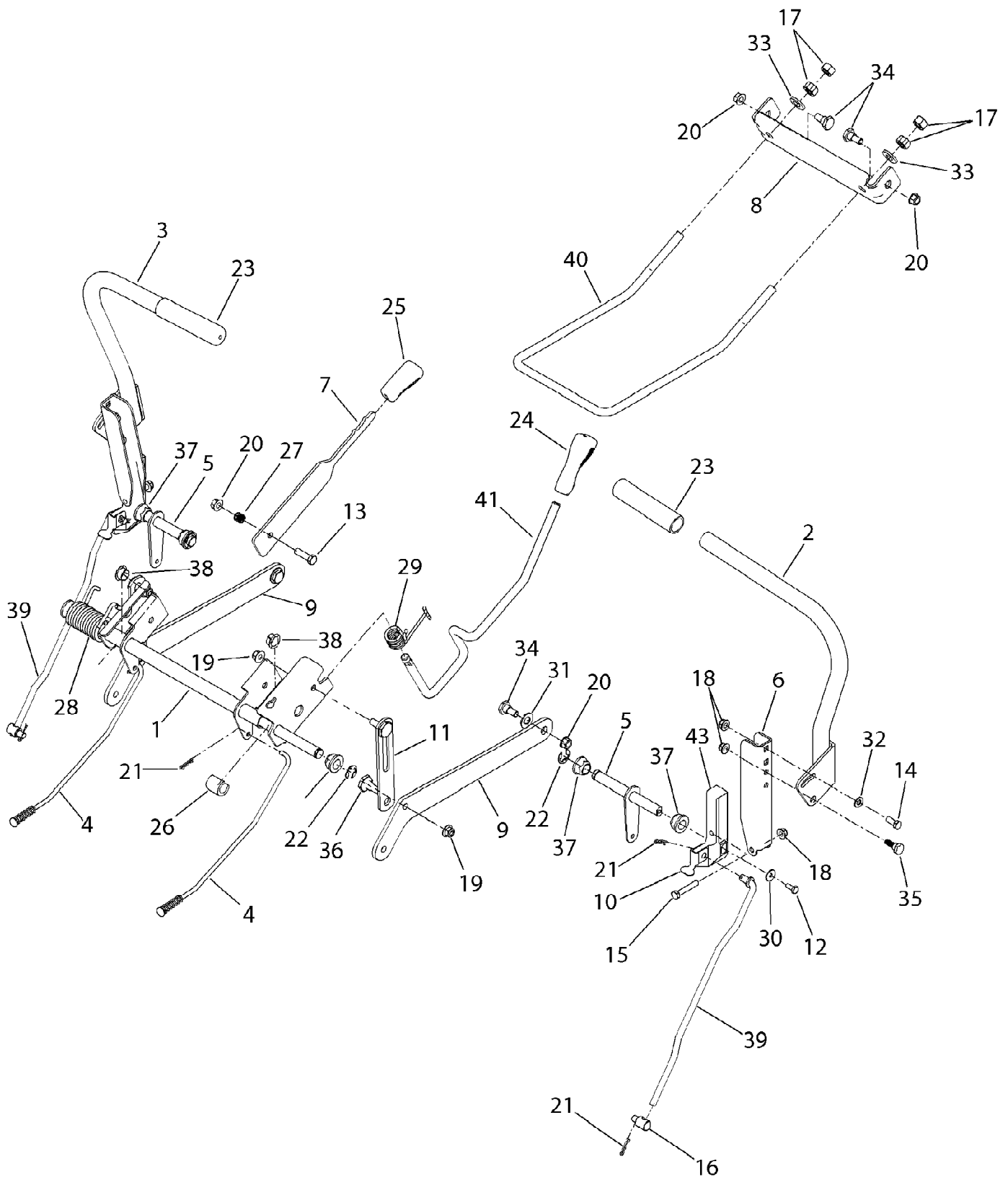
Page 14 of 23

Ref #	Part Number	Qty	S/P/F	Description
1	603-04328A	1		Housing, Deck
1	777S32598	1		Graphic, Danger Not shown
1	777S30503	1	/P	Graphic, Danger Not shown
1	777I22282	1	S	Graphic, Instruction Not shown
1	777D11833	1		Graphic, 50" Not shown
2	618-04125A	1	S	Spindle Assembly
3	631-04070A	1	/P	Chute Assembly, Discharge
3	777S30284	1	S	Graphic, Danger Not shown
4	683-0254	1	S	Bracket, Deck Hanger
5	703-05825B	1		Arm, Idler
6	703-3279	1		Bracket, Stop
7	703-3511A	1	S	Guard, Finger
8	710-0347	1	/P	Screw, Hex Cap, 3/8-16 x 1.75 GR5
9	710-0528	1	/P	Screw, Hex Cap, 5/16-18 x 1.25 GR5
10	710-0599	1	/P	Screw, Hex Wash. Hd. Tapp, 1/4-20 x .5
11	710-0726	1	/P	Screw, Hex Wash. Hd. Tapp, 5/16-12 x .75
12	710-1260A	1	/P	Screw, Hex Wash. Hd. Tapp, 5/16-18 x .75
13	710-3005	1	/P	Screw, Hex Cap, 3/8-16 x 1.25 GR5
14	710-3168	1	/P	Screw, Carriage, 3/8-16 x 1.0
15	710-3178	1	/P	Screw, Carriage, 3/8-16 x .75
16	712-04065	1	/P	Nut, Hx Insert Flange Lck, 3/6-16 GrF
17	712-0417A	1	/P	Nut, Hex Flange, 5/8-18
18	712-0431	1	S	Nut, Hex Flange Lock, 3/8-16 GRF
19	712-0641	1	S	Nut, Hex, M16-1.5
20	714-0470	1	S	Pin, Cotter, 1/8 x 1.25
21	717-04074	1	S	Gear, Deck Adjustment
22	721-04041	1	S	Adapter, Water Nozzle
23	732-0306A	1	S	Spring, Compression
24	732-0459	1	S	Spring, Extension, .94 Dia. x 6.74
25	734-04155	1		Wheel, Deck Ball, 5.0
26	736-0119	1	S	Washer, Lock, 5/16
27	736-0407	1		Washer, Bell, .45 x 1.0 x .062
28	736-0225	1	/P	Washer, Internal Tooth Lock, 5/8
29	736-3072	1	/P	Washer, Flat, .38 x .93 x .110 HT
30	737-04003C	1	S	Nozzle, Deck Wash
31	738-04162A	1	/P	Spacer, Shoulder, .884 x .190
32	738-3056	1	S	Screw, Shoulder, .5 x 2.5:3/8-16
33	742-04053A	1	S	Blade, 2 in 1, 17.9 Lg
34	747-1116	1	/P	Rod, Deck Hanger
35	754-04044A	1		Belt V, Type A Sec x 134
36	756-04129	1	S	Pulley, Idler, 4.25 Dia
37	783-04399	1		Cover, Belt LH
38	783-04400	1		Cover, Belt RH
39	783-04414	1	S	Skirt, Center
40	783-04415	1		Skirt, RH
41	783-05030	1		Bracket, Chute Mounting
42	732-04372	1		Spring, Torsion
43	711-04565	1		Pin, Hinge
44	736-0315	1	/P	Washer, Flat, .76 x 1.50 x .12
45	738-1010A	1	/P	Shaft, Spindle, 5.75
46	741-0919	1	S	Bearing, Ball
47	748-0160A	1		Spacer, .79 x 1.25 x .175
48	750-1000	1		Spacer, .80 x 1.10 x 1.32

17AF2ACP066 MUSTANG RZT 50 (2008)
Mower Deck

Page 15 of 23

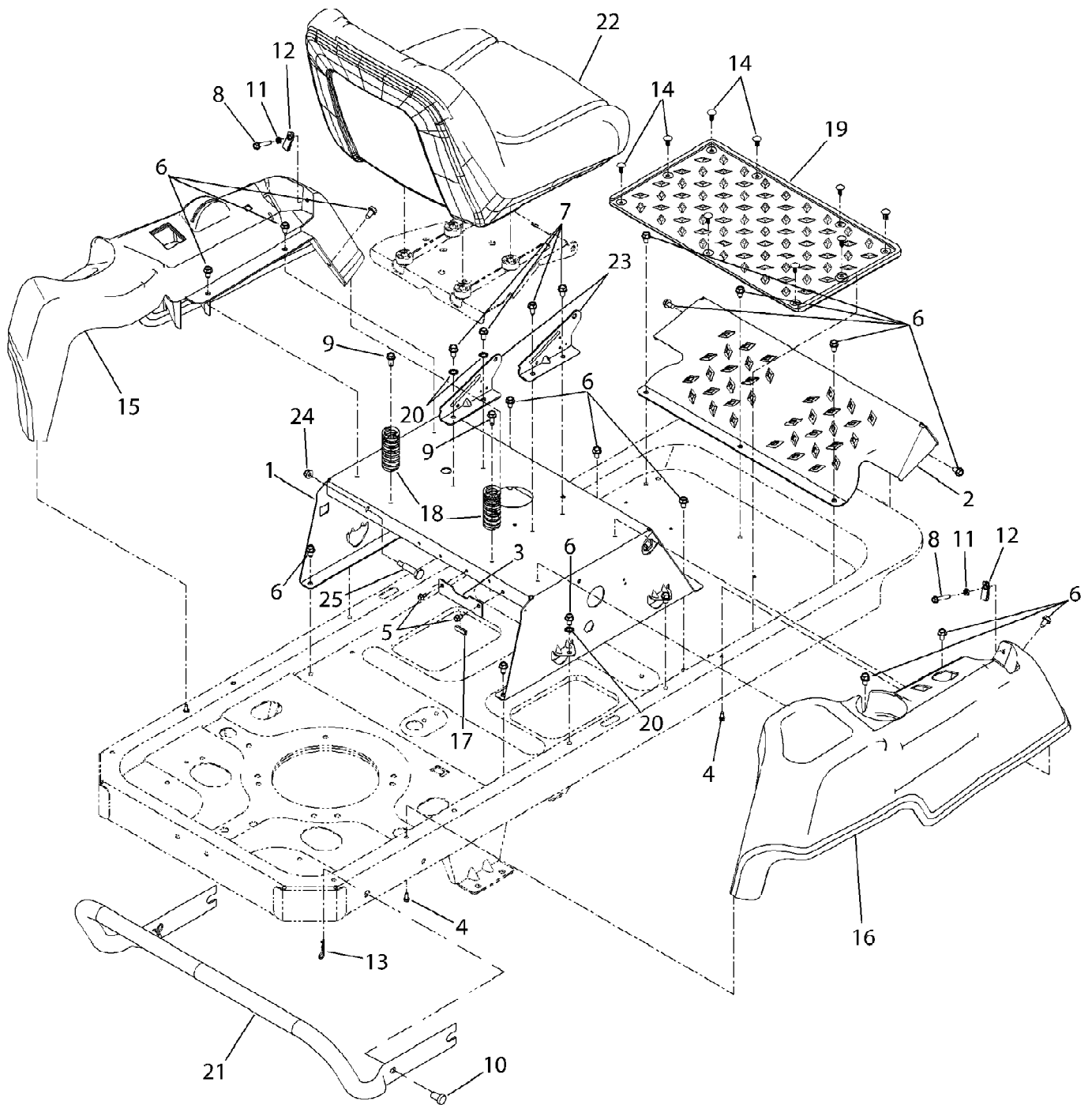
Ref #	Part Number	Qty	S/P/F	Description
49	750-1349A	1	/P	Spacer, .79 x 1.82 x .55
50	756-04216	1		Pulley, V Type, 5.39



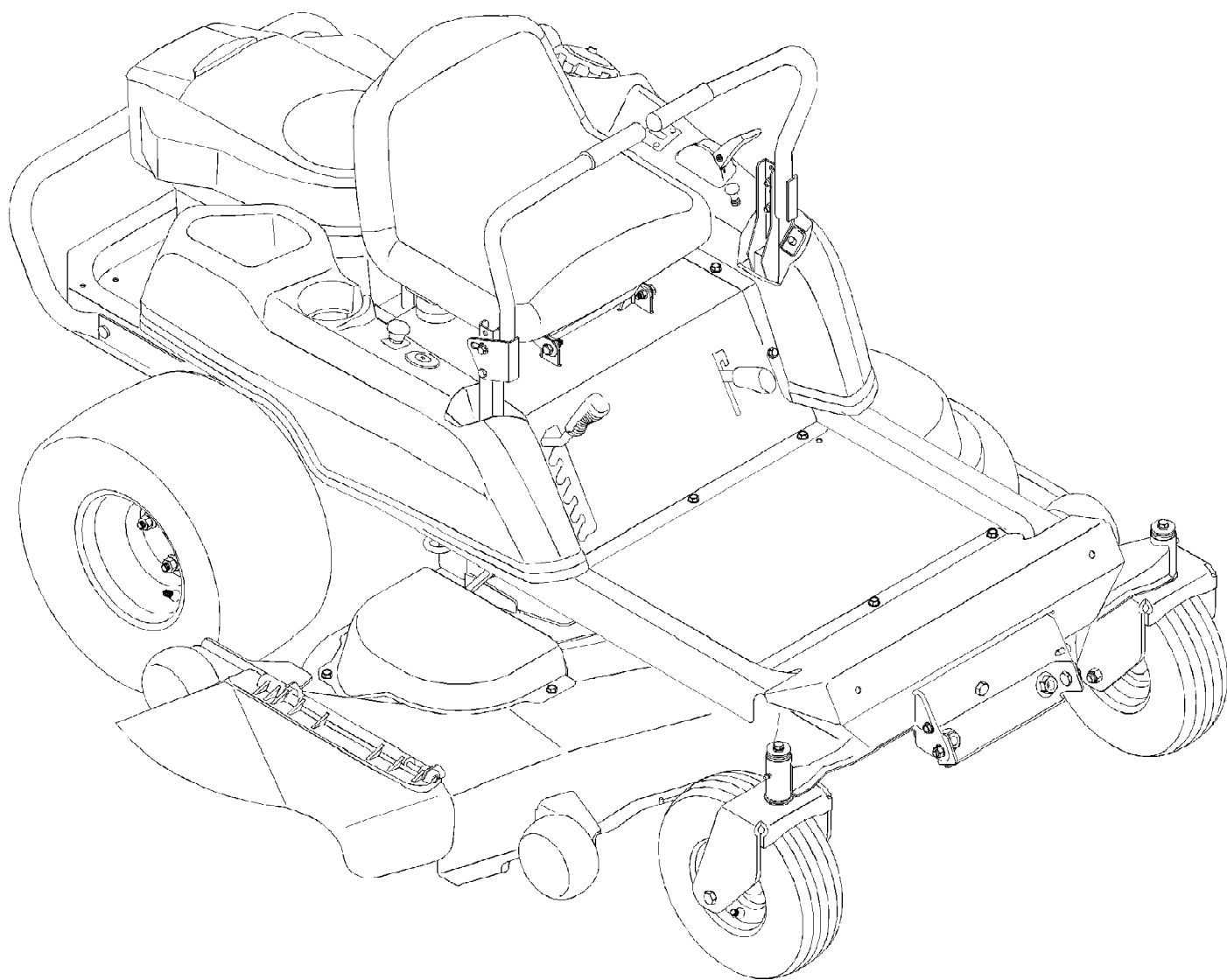
17AF2ACP066 MUSTANG RZT 50 (2008)
Operators Controls

Page 17 of 23

Ref #	Part Number	Qty	S/P/F	Description
1	603-04160B	1	S	Shaft Assembly, Deck Lift
2	603-04387	1		Lever, Lapbar, RH
3	603-04388	1		Lever, Lapbar, LH
4	647-04065	1	S	Rod, Brake
5	647-04099	1	S	Shaft, Damper Control
6	703-05387B	1	/P	Bracket, Lapbar Pivot
7	703-05396	1	S	Handle, Brake
8	703-05414A	1		Bracket, Deck Hangar
9	703-05793A	1		Arm, Deck Lift
10	703-06096	1		Bracket, Actuator
11	703-06169	1	S	Link, Deck Lift
12	710-0433	1	/P	Screw, Hex Cap Lock, 1/4-20 x .625 Gr5
13	710-3005	1	/P	Screw, Hex Cap, 3/8-16 x 1.25 Gr5
14	710-3008	1	/P	Screw, Hex Cap, 5/16-18 x .75 Gr5
15	710-3180	1	/P	Screw, Hex Cap, 5/16-18 x 1.75 Gr5
16	711-0832	1	S	Ferrule, 3/8-24 x .375
17	712-0208	1		Nut, Hex, 1/2-13 GR5
18	712-04063	1	/P	Nut, U Type Speed, 5/16-18 GrF
19	712-04065	1	/P	Nut, Hex Insert Flange Lock, 3/8-18 GrF
20	712-0431	1	S	Nut, Hex Flange Lock, 3/8-16 GrF
21	714-0104	1	S	Pin, Internal Cotter
22	716-0106	1	/P	'E' Ring
23	720-0274	1	/P	Grip, Lapbar
24	720-0311	1		Grip, Handle
25	731-04735	1		Grip, Brake Handle
26	731-05732	1		Spacer, .621 ID x 1.0
27	732-0334	1	S	Spring, Compression, .5 x.5
28	732-04420	1		Spring, Torsion
29	732-04422	1	S	Spring, Torsion
30	736-0270	1	/P	Washer, Bell, .265 .75 x .062
31	736-0272	1	S	Washer, Flat, .51 x 1.00 x .06
32	736-0275	1	S	Washer, Flat, .344 x .6888 x .065
33	736-3019	1		Washer, Flat, .531 x 1.062 x .134 HT
34	738-0143	1	/P	Screw, Shoulder, .496 x .336:3/8-16
35	738-0296	1	S	Screw, Shoulder, .437 x .268:5/16-18
36	738-0507B	1	S	Screw, Shoulder, .5 x .434
37	741-0225	1	S	Bearing, Hex Flange
38	741-3074	1		Bearing, Flange, .625 x .938 x .344
39	747-04225A	1	/P	Rod, Lapbar Control
40	747-04401A	1		Rod, Deck Front Hanger
41	747-04637	1		Rod, Deck Lift Handle
42	748-04169	1		Hub, Control
43	748-04052	1		Hub, Lap Bar Control



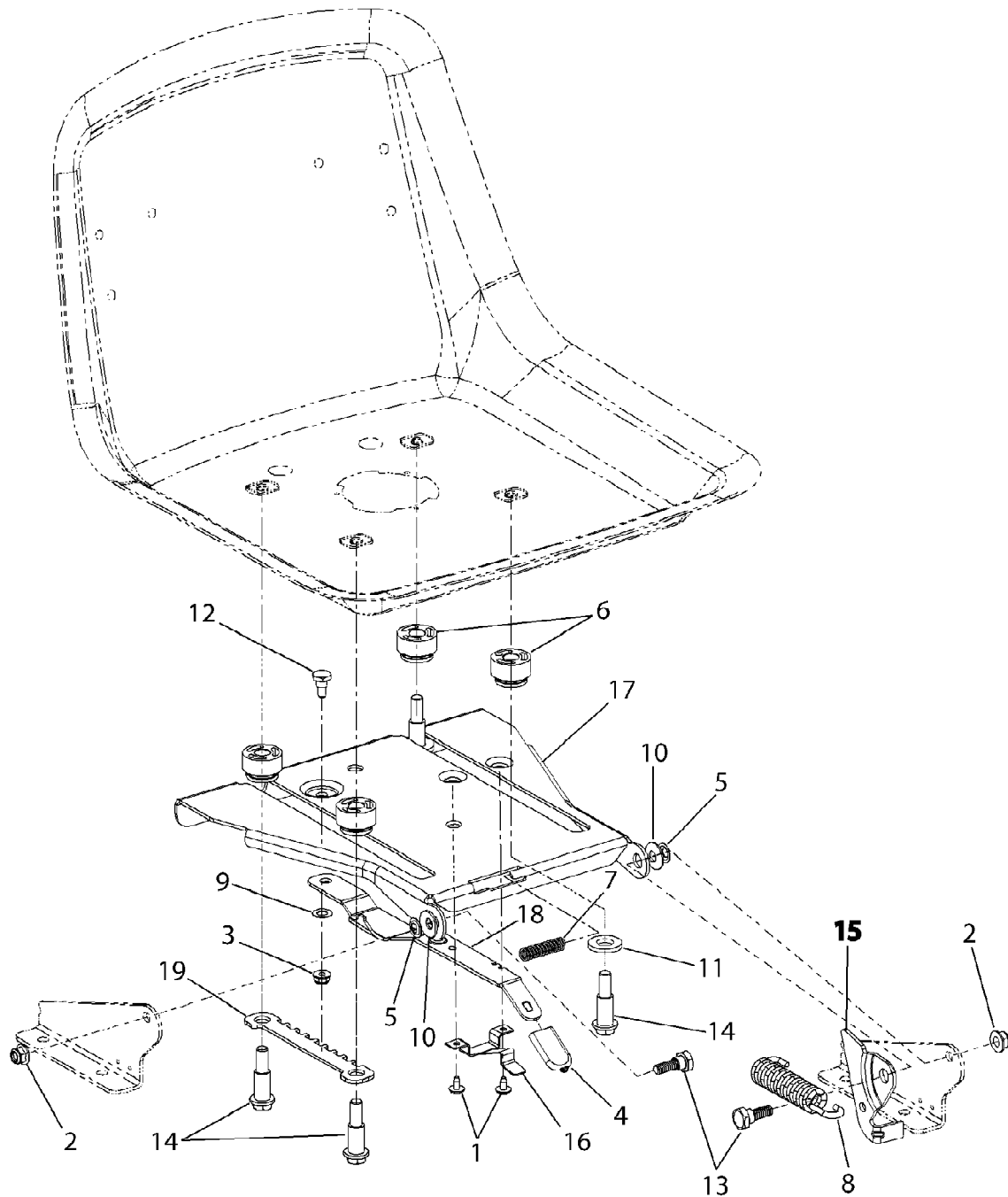
Ref #	Part Number	Qty	S/P/F	Description
1	603-04447	1		Frame, Seat
1	777S32821	1		Graphic, Warning/Deck Ht./Brake
2	703-05373B	1		Bracket, Foot Rest
2	777D10174	1		Graphic, Troy-Bilt Not shown
2	777D10711	1		Graphic, Ground Control Not shown
3	703-05894	1	S	Bracket, Battery Hold Down
4	710-04261	1		Screw, Hex Wash. Hd Tapp, #12-16 x .50
5	710-0599	1	/P	Screw, Hex Wash. Hd. Tapp., 1/4-20 x .5
6	710-0604A	1	/P	Screw, Hex Wash. Hd. Tapp, 5/16-18 x .625
7	710-0726	1	/P	Screw, Hex Wash. Hd. Tapp, 5/16-12 x .75
8	710-0778	1	/P	Screw, Hex Wash. Hd. Tapp. , 1/4-20 x 1.5
9	710-1260A	1	/P	Screw, Hex Wash. Hd Tapp, 5/16-18 x .75
10	711-0332	1	S	Pin, Clevis, .5 x .78
11	712-0298	1	S	Nut, Hex Jam, 1/4-20 GR2
12	712-04092	1		Nut, U Type Speed, 1/4-20
13	714-04023	1	S	Pin, Internal Cotter
14	726-3046	1	/P	Clip, Ratchet
15	731-04662D	1	S	Console, LH
15	777I22751	1		Graphic, Instruction Not shown
15	777D10713	1		Graphic, Troy-Bilt Not shown
15	777I22309	1		Graphic, Throttle Control Not shown
16	731-04663C	1	S	Console, RH
16	777I22754	1		Graphic, Instruction Not shown
16	777D10712	1		Graphic, Troy-Bilt Not shown
17	731-0511	1	/P	Strip, Trim
18	732-04035	1		Spring, Compression, 1.28 x 3.125
19	735-04082	1		Pad, Foot
20	736-0148	1		Washer, External Tooth, 3/8
21	749-04358	1		Bumper
22	757-04010	1	S	Seat
23	783-1489C	1		Bracket, Seat Pivot
24	712-04064	1	/P	Nut, Hex Insert Flange Lock, 1/4-20 GrF
25	738-0572	1	S	Screw, Shoulder, .374 x 1.16



17AF2ACP066 MUSTANG RZT 50 (2008)
Quick Reference

Page 21 of 23

Ref #	Part Number	Qty	S/P/F	Description
	KH-12-050-01-S	1	/P	OIL FILTER
	KH-32-883-03-S1	1	/P	AIR FILTER w/Pre-Cleaner
	NA	1		PRE-CLEANER ELEMENT
	759-3336	1	/P	SPARK PLUG
	KH-25-050-22-S1	1	/P	FUEL FILTER
	942-04053C	3	/P	BLADES
	712-0417A	1	/P	BLADE NUT
	954-04043A	1	/P	LOWER DRIVE BELT
	954-04044A	1	/P	DECK SPINDLE BELT
	NA	1		ENGINE TO DECK BELT
	918-04125A	3	S	DECK SPINDLES
	925-1745	1	S	IGNITION KEYS
	725-04439	1		SOLENOID
	925-1707D	1	/P	BATTERY
	951-3124D	1	S	FUEL CAP
	734-04155	4		DECK WHEELS
	741-0516B	1	/P	WHEEL BUSHINGS
	741-0990B	1	/P	WHEEL BUSHINGS in board
	725-04363	1		SAFETY SWITCH-DECK
	725-04363	1		SAFETY SWITCH-BRAKE/CLUTCH
	746-04214	1	S	CHOKE CONTROL/CABLE
	746-04066	1		THROTTLE CONTROL/CABLE
	737-04003C	1	S	WATER NOZZLE ADAPTER
	590-303-000	1		DOUBLE BAGGER Attachments
	190-193-000	1		MULCH PLUG Attachments



17AF2ACP066 MUSTANG RZT 50 (2008)
Seat Adjustment

Page 23 of 23

Ref #	Part Number	Qty	S/P/F	Description
1	710-1268	1	/P	Screw, Hx. Wash. Hd. Tapp #10-16 x .375
2	712-04063	1	/P	Nut, Hx Insert Flange Lck, 5/16-18 GrF
3	712-04064	1	/P	Nut, Hx Insert Flange Lck, 1/4-20 GrF
4	720-0309A	1	/P	Grip, Seat Adjustment
5	726-0201	1		Nut, Speed, .3125
6	731-04074	1		Spacer, Seat Adjustment
7	732-0499	1		Spring, Compression, .41 x 1.5
8	732-1184	1	/P	Spring, Extension, .84 Dia. x 4.6
9	736-0204	1	/P	Washer, Flat, .344 x .62 x .033
10	736-0242	1	/P	Washer, Belleville, .34 x .872 x .06
11	736-3019	1		Washer, Flat, .531 x 1.062 x .134 HT
12	738-0137A	1	S	Screw, Shoulder, .34 x .285:1/4-20
13	738-0296	1	S	Screw, Shoulder, .437 x .268:5/16-18
14	738-0966A	1	/P	Screw, Shoulder, .5 x .925:3/8-16
15	783-0209D	1	/P	Bracket, Seat Lift
16	783-0611	1		Stop, Seat Adjustment
17	783-0738D	1	/P	Bracket, Seat Pivot
18	783-0739A	1	S	Lever, Seat Adjustment
19	783-0753	1		Index Bracket, Seat Adjustment