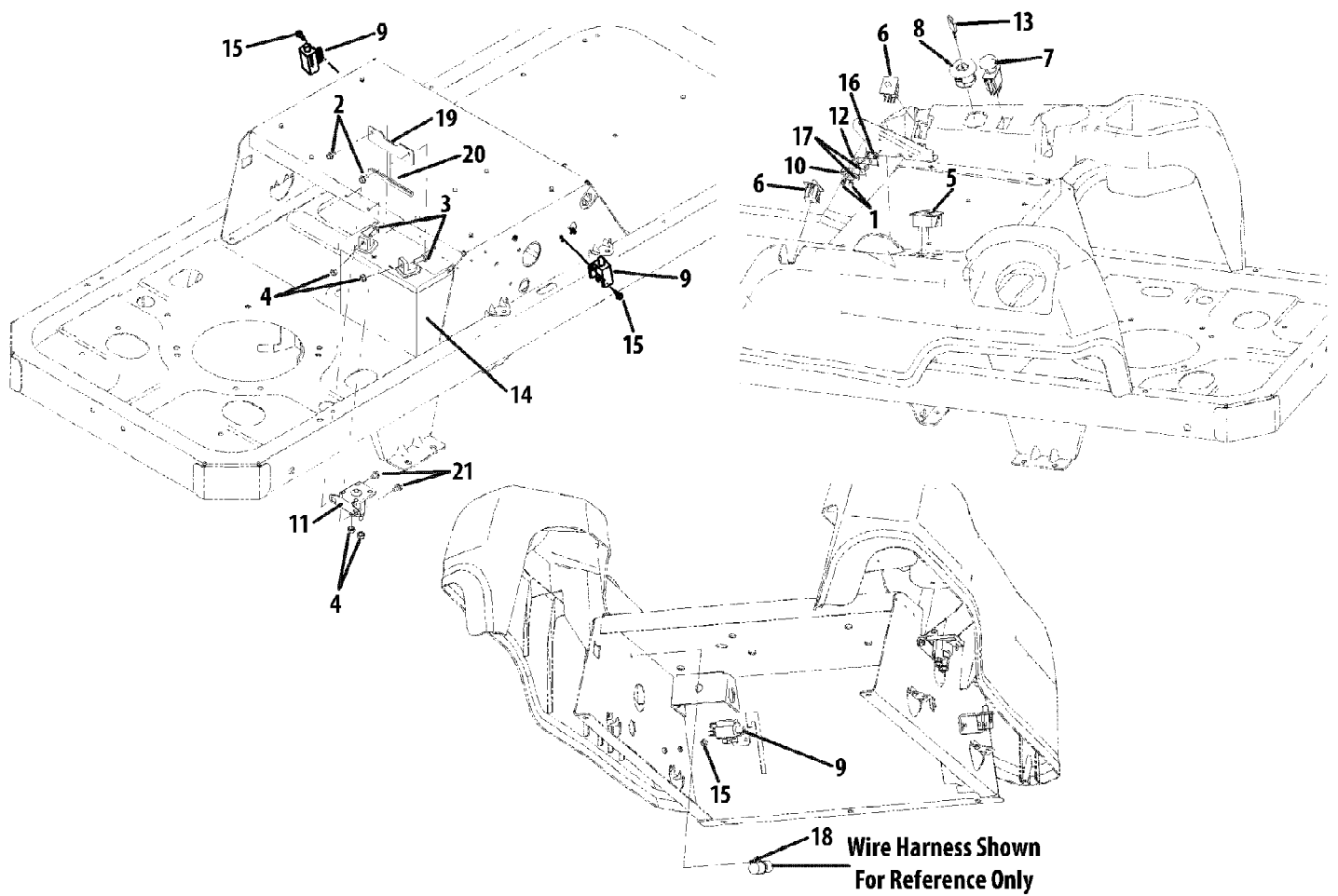


17AE2ACG066 MUSTANG COLT RZT 42 (2008)
Deck Lift & Controls

Page 2 of 22

Ref #	Part Number	Qty	S/P/F	Description
1	603-04160B	1	S	Deck Lift Shaft Assembly
2	603-04387	1		Lapbar Lever Assembly (RH)
3	603-04388	1		Lapbar Lever Assembly (LH)
4	647-04065	1	S	Brake Rod Assembly
5	703-05387B	1	/P	Lapbar Pivot Bracket
6	703-05396A	1	S	Brake Handle
7	703-05414A	1		Front Deck Hanger Bracket
8	703-05793A	1		Deck Lift Arm
9	703-06096	1		Switch Actuator Bracket
10	703-06169	1	S	Lift Link Plate
11	710-0433	1	/P	Hex Screw, 1/4-20 x .625
12	710-3005	1	/P	Hex Screw, 3/8-16 x 1.25
13	710-3008	1	/P	Hex Screw, 5/16-18 x .75
14	710-3180	1	/P	Hex Screw, 5/16-18 x 1.75
15	711-0832	1	S	Ferrule, 3/8-24 x .375
16	712-0206	1	S	Hex Nut, 1/2-13
17	712-04063	1	/P	Flangelock Nut, 5/16-18
18	712-04065	1	/P	Flangelock Nut, 3/8-16
19	712-0431	1	S	Flangelock Nut, 3/8 -16
20	714-0104	1	S	Cotter Pin, .072 x 1.13
21	716-0106	1	/P	E-Ring
22	720-0274	1	/P	Grip, 1.0 x 5.0
23	720-0311	1		Handle Grip, 1/2
24	731-04735	1		Selector Handle
25	731-05732	1		Spacer, .621 x 1.00
26	732-0334	1	S	Compression Spring
27	732-0874	1	/P	Torsion Spring
28	736-0270	1	/P	Bell Washer, .265 x .75 x .062
29	736-0272	1	S	Flat Washer, .510 x 1.00 x .060
30	736-0275	1	S	Flat Washer, .344 x .688 x .065
31	736-3019	1		Flat Washer, .531 x 1.062 x .134
32	738-0143	1	/P	Shoulder Bolt, .496 x .336 x 3/8 -16
33	738-0296	1	S	Shoulder Screw, .437 x .268 x 5/16-18
34	738-0507B	1	S	Shoulder Screw, .500 x .434
35	741-0225	1	S	Hex Flange Bolt
36	741-3074	1		Flange Bearing, .626 x .938 x .344
37	747-04225A	1	/P	Lapbar Control Rod
38	747-04226	1	S	Shaft Control
39	747-04401A	1		Deck Lift Rod
40	747-04637	1		Deck Lift Handle Rod
41	748-04169	1		Control Hub



17AE2ACG066 MUSTANG COLT RZT 42 (2008)
Electrical

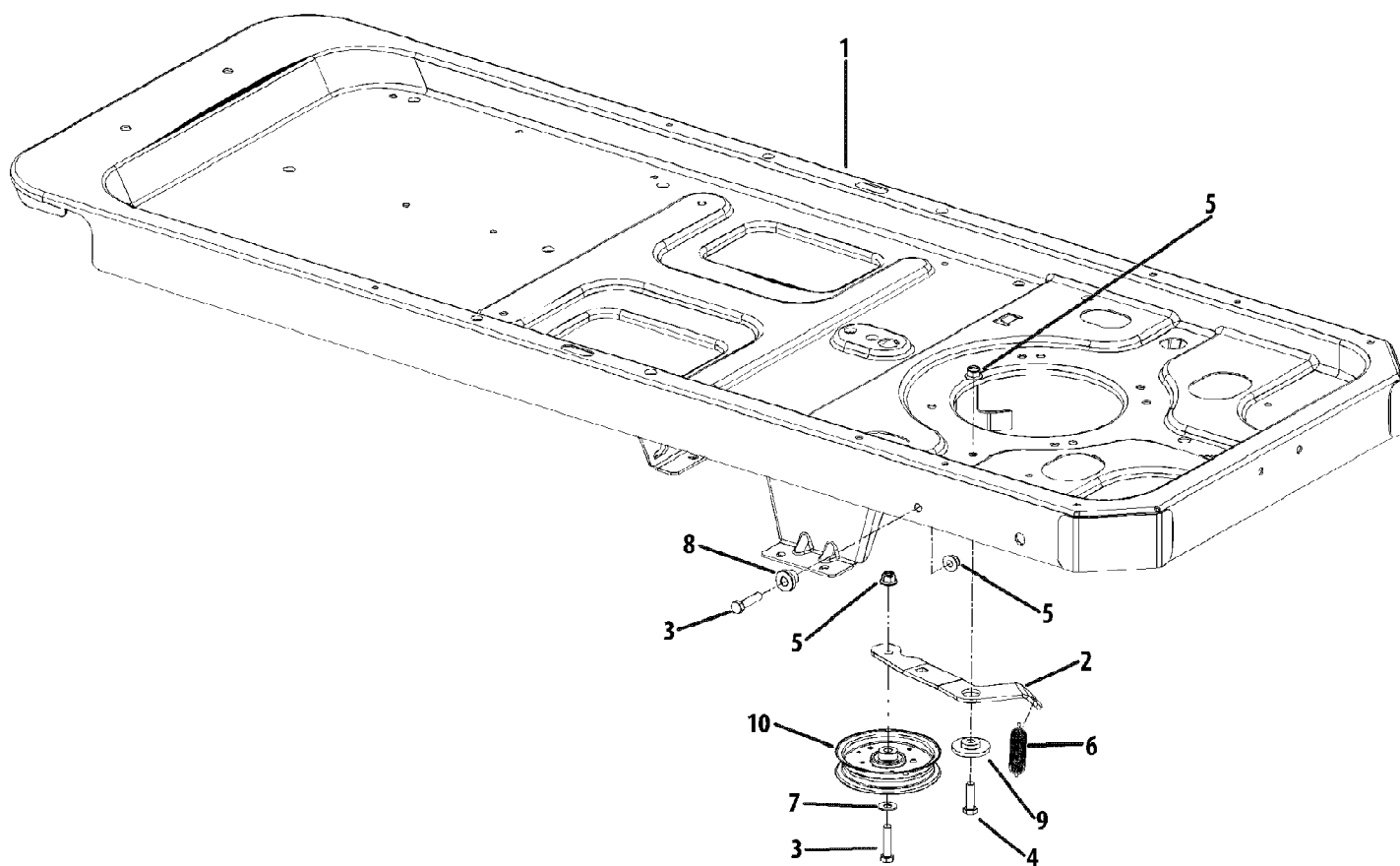
Page 4 of 22

Ref #	Part Number	Qty	S/P/F	Description
1	710-0227	1	/P	Hex Screw, #8-18 x .5
2	710-0599	1	/P	Hex Screw, 1/4-20 x .5
3	710-3015	1	/P	Hex Screw, 1/4-20 x .75
4	712-0271	1	/P	Hex Nut, 1/4-20
5	725-04022B	1	S	Hour Meter
6	725-04165	1	S	Double Pole - Neutral Switch
7	725-04174	1	S	PTO Switch
8	725-04228	1	S	Ignition Switch
9	725-04363	1		Interlock Switch
10	725-1303	1	S	Outer Seat Swing Spring
11	725-04439	1		Solenoid
12	725-1439	1		Inner Seat Spring Switch
13	725-1745	1	S	Key
14	725-1737A	1	S	Battery, 235 CCA
15	738-04237A	1		Shoulder Screw, #10-32 x .500
16	726-0278	1		Insulator Boss Plate
17	726-0279	1		Insulator Plate
18	726-0470	1		Cable Tie
19	703-05894	1	S	Batter Holdown
20	731-0511	1	/P	Trim Strip
21	710-0653	1	/P	Hex Screw, 1/4-20 x .375

17AE2ACG066 MUSTANG COLT RZT 42 (2008)
Engine Connections

Page 6 of 22

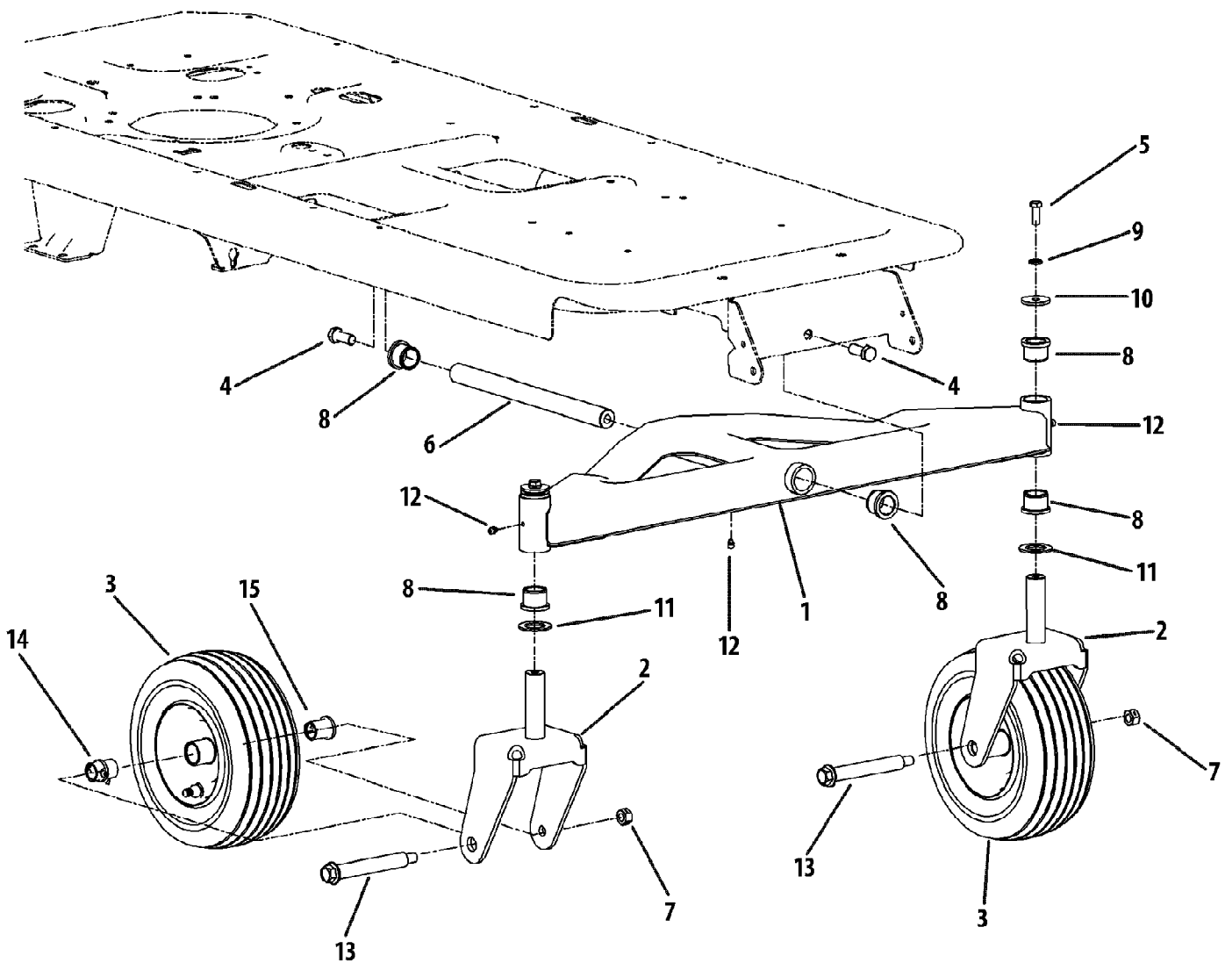
Ref #	Part Number	Qty	S/P/F	Description
1	703-05441A	1	/P	Muffler Mounting Bracket
2	703-05870	1		Muffler Tube Heat Shield
3	710-0227	1	/P	Hex Washer Head Screw, #8-18 x .5
4	710-04261	1		Hex Screw, 12-16 x .50
5	710-0599	1	/P	Hex Washer Head Screw, 1/4-20 x .5
6	710-0726	1	/P	Hex Screw, 5/16-12 x .750
7	710-1315	1	/P	Hex Screw, 3/8-16 x 1.250
8	710-3008	1	/P	Hex Screw, 5/16-18 x .75
9	710-3157A	1	/P	Hex Screw, 7/16-20 x 3.25
10	710-3217	1	/P	Machine Screw, #8-32 x .375
11	712-0142	1	/P	Hex Nut, #8-32
12	712-0271	1	/P	Sem Nut, 1/4-20
13	717-04063	1		Flangelock Nut, 5/16-18
14	717-04376A	1	S	Electric PTO Clutch
15	751-3124D	1	S	Fuel Cap
16	726-0205	1	/P	Hose Clamp, .490
17	731-04914	1	/P	Throttle Control Knob
18	736-0148	1		External Tooth Lock Washer, 3/8
19	736-0171	1	S	Lock Washer, 7/16
20	736-0277	1		Flat Washer, 1.031 x 1.620 x .095
21	736-3008	1	S	Flat Washer, .344 x .750 x .120
22	751-3141	1	S	Oil Drain Hose
23	756-04376	1		Engine Pulley replaces 756-0978B in this application
24	746-04161	1	S	Throttle Cable, 39.0 x .62
25	747-04228A	1		Tank Mounting Wire
26	751-0564B	1	/P	Muffler Deflector
27	751-0617A	1	S	Single Inlet Muffler
28	751-10057D	1	/P	Fuel Tank
29	751-10251	1		Exhaust Pipe
30	751-10349	1		Low Permeation Fuel Hose
31	751-10517	1	S	Oil Drain



17AE2ACG066 MUSTANG COLT RZT 42 (2008)
Frame & Drive Idler Assembly

Page 8 of 22

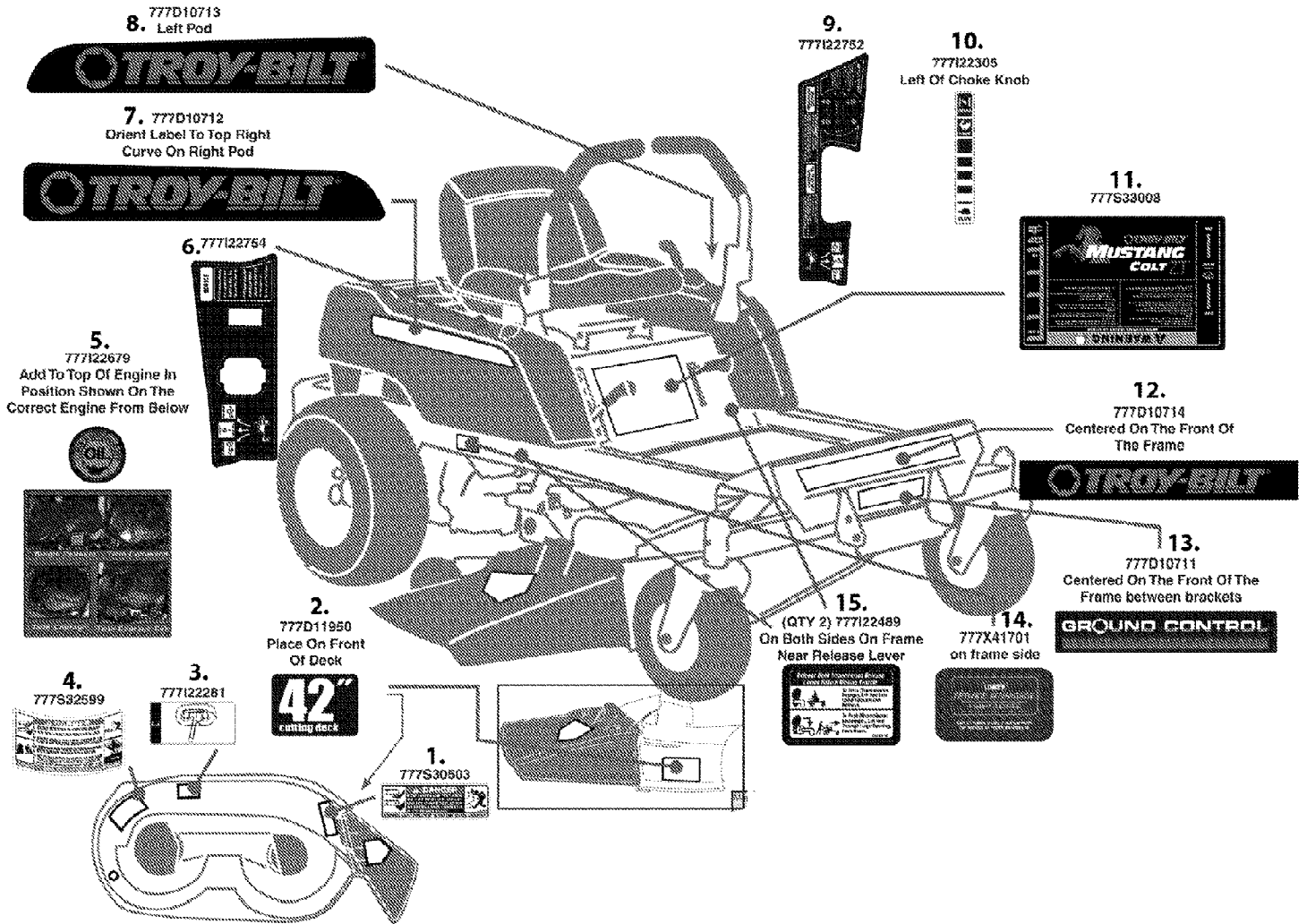
Ref #	Part Number	Qty	S/P/F	Description
1	603-04303E	1		Frame Assembly
2	703-05829	1	/P	Drive Idler Arm
3	710-0520	1	/P	Hex Screw, 3/8 -16 x 1.5
4	710-3005	1	/P	Hex Screw, 3/8-16 x 1.25
5	712-04065	1	/P	Flange Nut, 3/8-16
6	732-0626	1		Extension Spring, .75 x 5.06
7	736-0300	1	S	Flat Washer, .408 x .875 x .059
8	738-04058	1		Shoulder Spacer, .39 x 1.0 x .7
9	738-04162A	1	/P	Shoulder Spacer, .884 x .19
10	756-04129	1	S	Idler Pulley, 4.25 Dia.



17AE2ACG066 MUSTANG COLT RZT 42 (2008)
Front Axle

Page 10 of 22

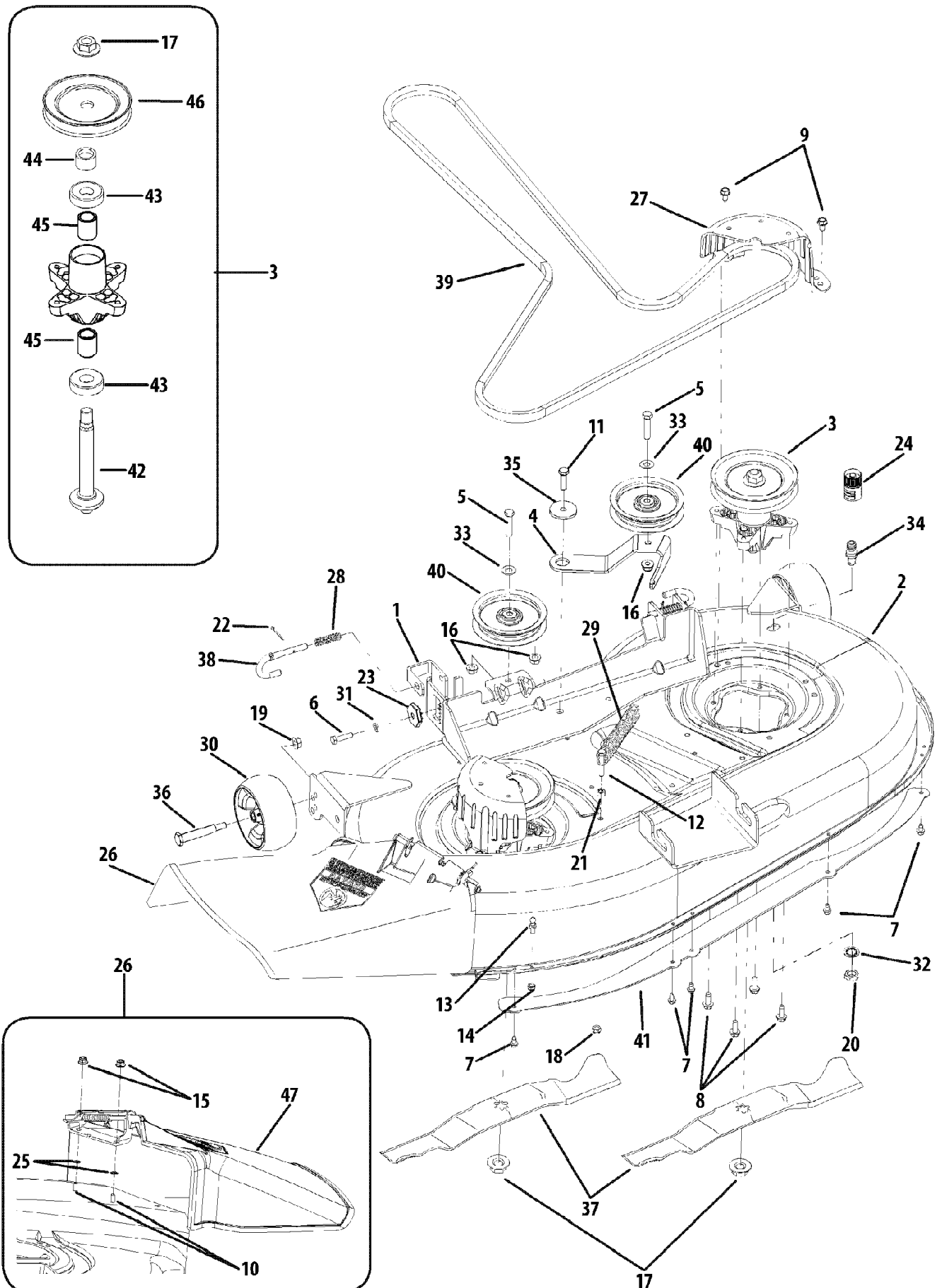
Ref #	Part Number	Qty	S/P/F	Description
1	603-04148C	1		Front Pivot Axle
2	603-04308	1		Castor Wheel Bracket
3	634-04237A	1	S	Wheel Assembly, 11.0 x 4.0 x 5.0
3	734-0255	1	S	Air Valve Not shown
4	710-04186	1	/P	Hex Lock Screw, 1/2-13 x 1.25
5	710-0514	1	/P	Hex Cap Screw, 3/8 -16 x 1.0
6	711-04228	1	S	Axle Shaft
7	712-3022	1	/P	Hex Lock Nut, 1/2-13
8	731-05500	1		Flange Bearing, 1.0 x 1.246
9	736-0169	1	S	Lock Washer, 3/8
10	736-0227	1	S	Flat Washer, .39 x 1.5 x .134
11	736-0250	1	/P	Flat Washer, 1.0 x 1.75 x .107
12	737-3000	1	S	Lube Fitting, 3/16 Drive
13	738-04182A	1	/P	Shoulder Screw, .75 x 4.75 x 7/16-14
14	741-0516B	1	/P	Flange Bearing, .76 x 1.0 x 1.2
15	741-0990B	1	/P	Flange Bearing, .76 ID w/Lube Ftg.



17AE2ACG066 MUSTANG COLT RZT 42 (2008)
Label Map

Page 12 of 22

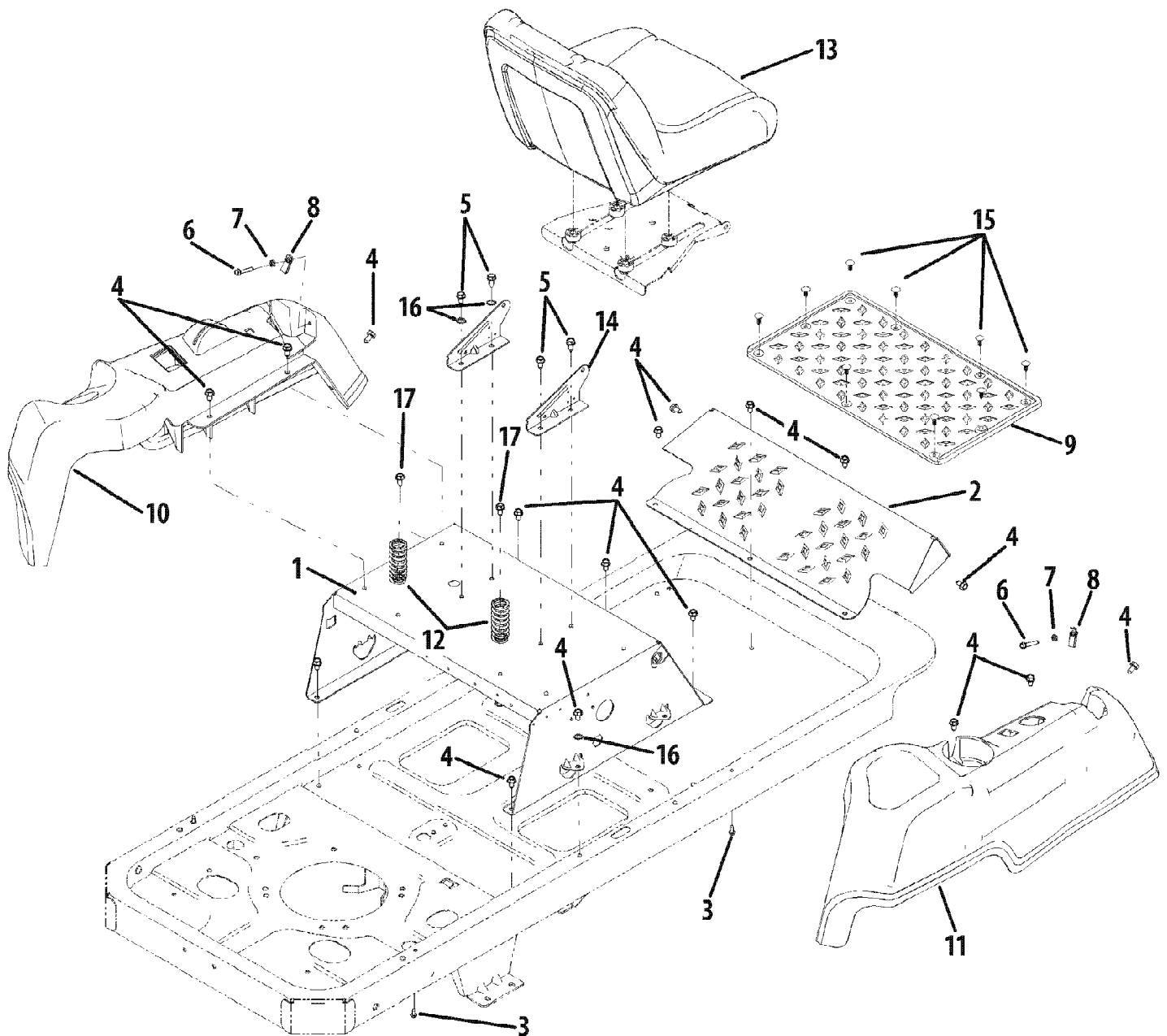
Ref #	Part Number	Qty	S/P/F	Description
1	777S30503	1	/P	LABEL-DANGER CHUTE
2	777D11950	1		LABEL-RIDER DECK TROY 42"
3	777I22281	1	S	LABEL-BELT ROUTE
4	777S32599	1		LABEL-RZT DECK WARNG CURVE
5	777I22679	1		LABEL-CHECK ENG OIL
6	777I22754	1		LABEL-RH CONTROL
7	777D10712	1		LABEL-LH POD
8	777D10713	1		LABEL-LH POD
9	777I22752	1		LABEL-LH CONTROL
10	777I22305	1		LABEL-THROTTLE
11	777S33008	1		LABEL-RZT COLT SAFETY SEAT PLATE
12	777D10714	1		LABEL-FRONT FRAME
13	777D10711	1		LABEL-RZT AXLE PIVOT
14	777X41701	1		LABEL
15	777I22489	1		LABEL-TRNMSN RELEASE



17AE2ACG066 MUSTANG COLT RZT 42 (2008)
Mower Deck

Page 14 of 22

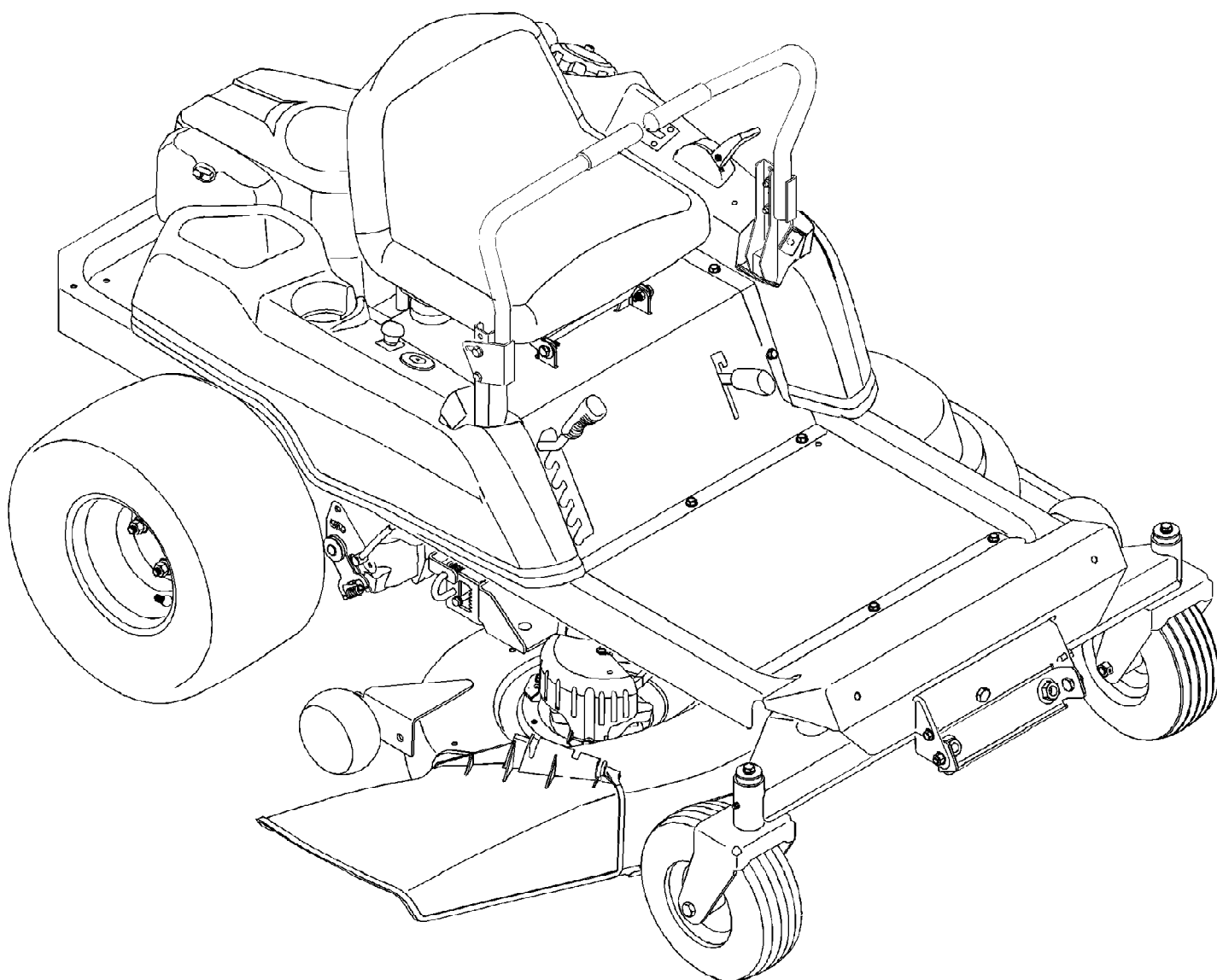
Ref #	Part Number	Qty	S/P/F	Description
1	603-04156	1		Deck Lift Bracket
2	603-04335C	1		Deck Housing
3	618-0624	1	S	Spindle Assembly
4	703-05824B	1	/P	Idler Arm
5	710-0347	1	/P	Hex Cap Screw, 3/8 -16 x 1.75
6	710-0528	1	/P	Hex Cap Screw, 5/16-18 x 1.25
7	710-0599	1	/P	Hex Washer Head Screw, 1/4-20 x .5
8	710-1260A	1	/P	Hex Washer Head Screw, 5/16-18 x .75
9	710-0726	1	/P	Hex Washer Head Screw, 5/16-12 x .75
10	710-0751	1	/P	Hex Cap Screw, 1/4-20 x .62
11	710-3005	1	/P	Hex Cap Screw, 3/8-16 x 1.25
12	710-3180	1	/P	Hex Cap Screw, 5/16-18 x 1.75
13	711-04069	1	S	Grass Catcher Pin, 1/4-20
14	712-0324	1	/P	Hex Insert Lock Nut, 1/4-20
15	712-04064	1	/P	Hex Insert Flange Lock Nut, 1/4-20
16	712-04065	1	/P	Hex Insert Flange Lock Nut, 3/8-16
17	712-0417A	1	/P	Hex Flange Nut, 5/8-18
18	712-0429	1	S	Hex Insert Lock, 5/16-18
19	712-0431	1	S	Hex Flange Lock Nut, 3/8-16
20	712-0641	1	S	Hex Nut, M16-1.5
21	712-3010	1	S	Hex Nut, 5/16-18
22	714-0470	1	S	Cotter Pin, 1/8 x 1.25
23	717-04074	1	S	Deck Adjustment Gear
24	721-04041	1	S	Water Nozzle Adapter
25	726-0233	1	/P	Push Nut, .25 x .5
26	731-1032B	1	S	Discharge Chute Assembly
27	731-2231B	1	/P	Belt Cover
28	732-0306	1	S	Compression Spring
29	732-0459	1	S	Extension Spring, .94 Dia. x 6.74
30	734-04155	1		Deck Ball Wheel, 5.0
31	736-0119	1	S	Lock Washer, 5/16
32	736-0225	1	/P	Lock Washer
33	736-3072	1	/P	Flat Washer, .38 x .93 x .11
34	737-04003C	1	S	Deck Water Nozzle
35	738-04162A	1	/P	Shoulder Spacer, .884 x .19
36	738-3056	1	S	Shoulder Screw, .5 x 2.5 x 3/8 -16
37	942-0616A	1	/P	Blade, 3 in 1, 21.23
38	747-1116	1	/P	Deck Hanger Rod
39	754-04137	1	S	V-Belt Type A Sec x 114.1
40	756-04129	1	S	Idler Pulley, 4.25 Dia
41	783-1146A	1	S	Deck Skirt
42	738-1010A	1	/P	Spindle Shaft, 5.75
43	741-0919	1	S	Ball Bearing
44	748-0433	1		Spacer, .820 x 1.15 x .73
45	750-1000	1		Spacer, .8 x 1.10 x 1.322
46	756-1227	1	S	Deck Pulley, 6.3 Dia
47	N/A	1		Chute Deflector Order Ref. No. 26



17AE2ACG066 MUSTANG COLT RZT 42 (2008)
Operator's Platform

Page 16 of 22

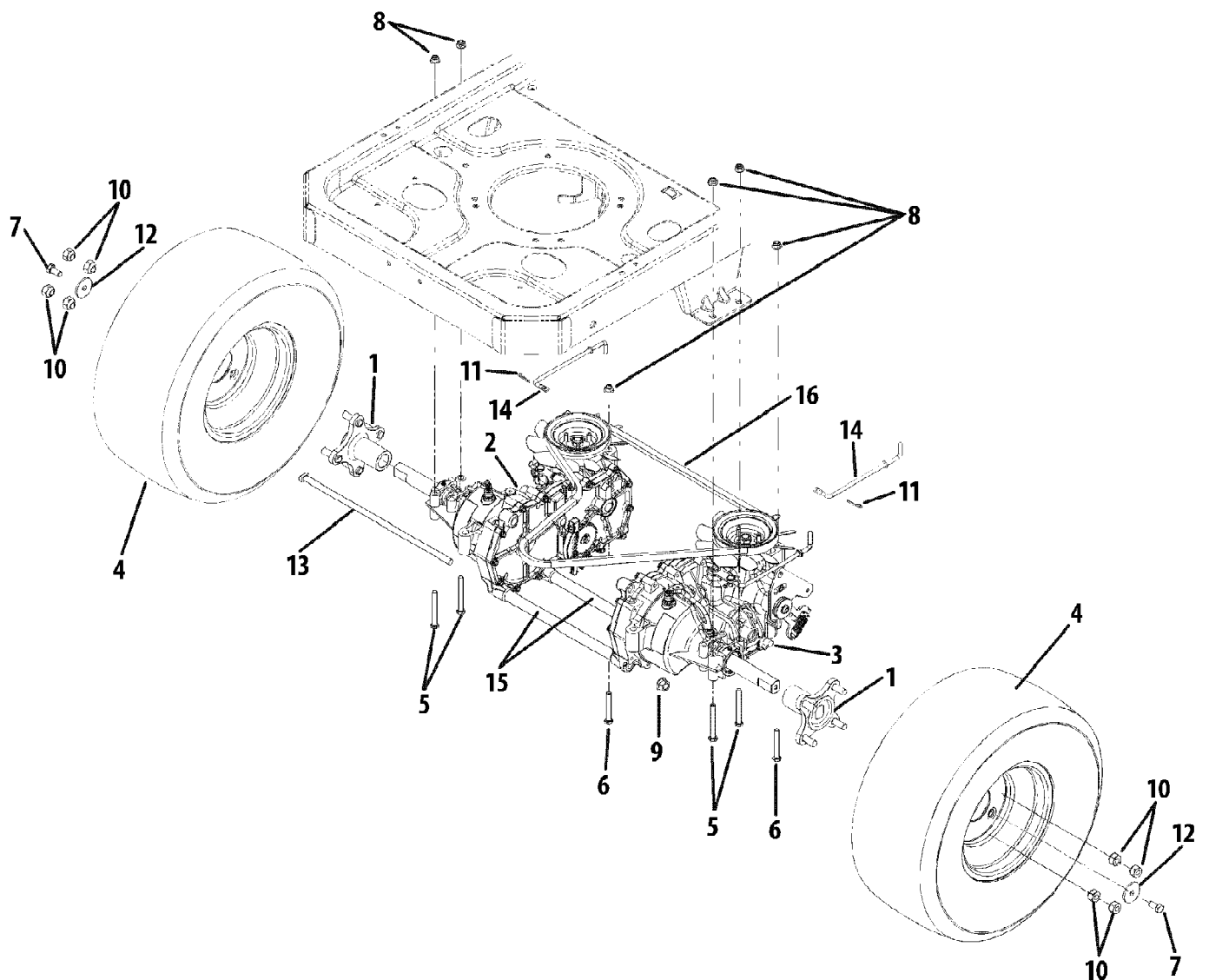
Ref #	Part Number	Qty	S/P/F	Description
1	603-04447A	1		Seat Box Frame
2	703-05373B	1		Foot Rest Bracket
3	710-04261	1		Hex Screw, #12-16 x .50
4	710-0604A	1	/P	Hex Screw, 5/16-18 x .625
5	710-0726	1	/P	Hex Screw, 5/16-12 x .75
6	710-0778	1	/P	Hex Screw, 1/4-20 x 1.5
7	712-0298	1	S	Hex Nut, 1/4-20
8	712-04092	1		U-Type Speed Nut, 1/4-20
9	735-04082	1		Foot Pad
10	731-04662D	1	S	Left Hand Console
11	731-04663C	1	S	Right Hand Console
12	732-04035	1		Compression Spring, 1.28 x 3.125
13	757-04010	1	S	Seat
14	783-1489C	1		Seat Mount Bracket
15	726-3046	1	/P	Ratchet Clip
16	736-0148	1		External Tooth Washer, 3/8
17	710-1260A	1	/P	Hex Screw, 5/16-18 x .75



17AE2ACG066 MUSTANG COLT RZT 42 (2008)
Quick Reference

Page 18 of 22

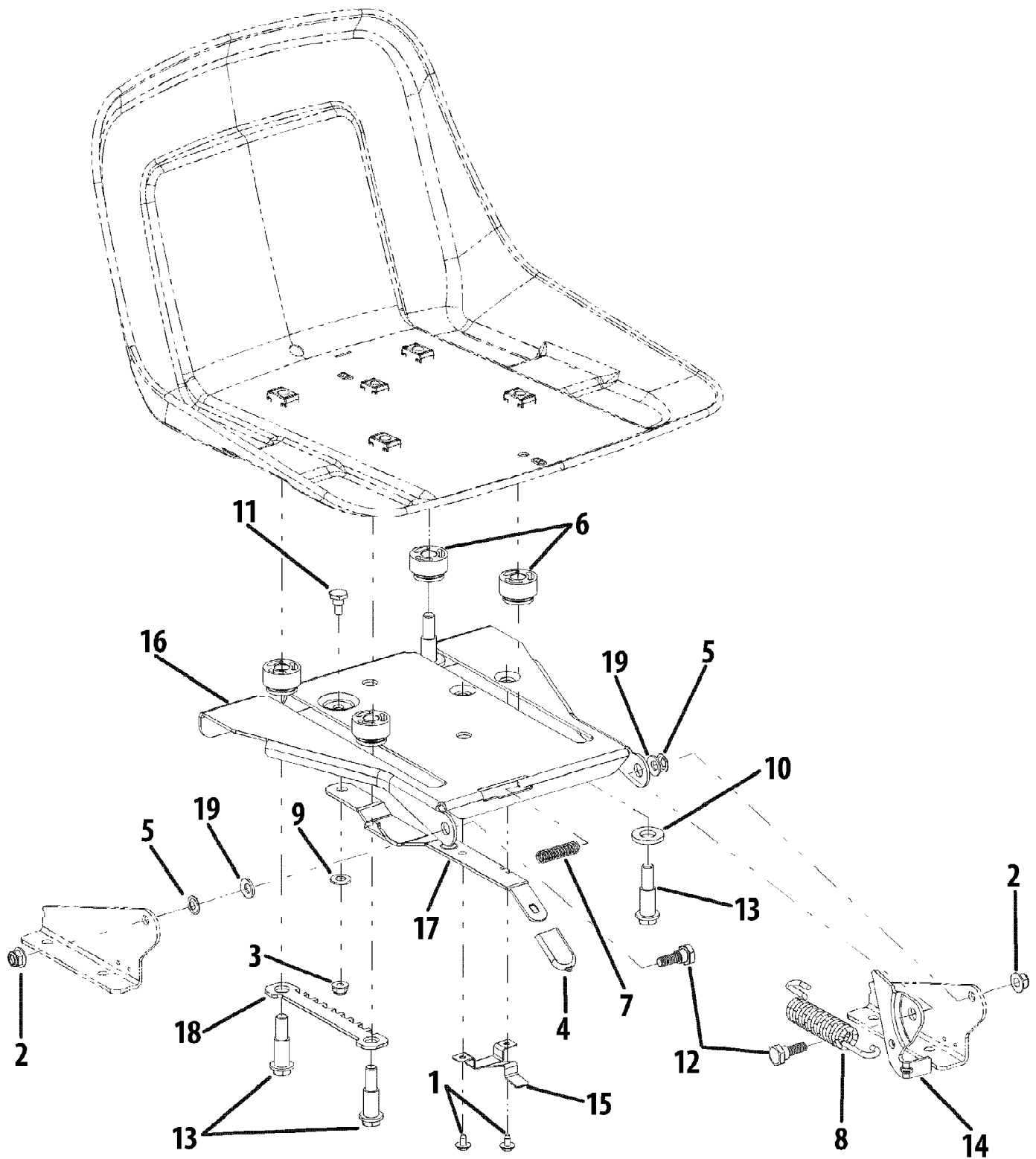
Ref #	Part Number	Qty	S/P/F	Description
	KH-12-050-01-S	1	/P	OIL FILTER
	KH-20-883-02-S1	1	/P	AIR FILTER w/Pre-Cleaner
	NA	1		PRE-CLEANER ELEMENT
	759-3336	1	/P	SPARK PLUG
	KH-25-050-22-S1	1	/P	FUEL FILTER
	942-0616A	2	/P	BLADES
	712-0417A	1	/P	BLADE NUT
	NA	1		UPPER DRIVE BELT
	954-04043A	1	/P	LOWER DRIVE BELT
	954-04137	1	S	DECK SPINDLE BELT
	NA	1		ENGINE TO DECK BELT
	918-0624	2	S	DECK SPINDLES
	925-1745	1	S	IGNITION KEYS
	725-04439	1		SOLENOID
	951-3124D	1	S	FUEL CAP
	734-04155	2		DECK WHEELS
	NA	1		BALL JOINTS
	741-0516B	1	/P	WHEEL BUSHINGS
	741-0990B	1	/P	WHEEL BUSHINGS in board
	725-04363	1		SAFETY SWITCH-DECK
	725-04363	1		SAFETY SWITCH-BRAKE/CLUTCH
	737-04003C	1	S	WATER NOZZLE ADAPTER
	590-302-000	1		Double Bagger Attachments
	190-116-000	1		Mulch Plug Attachments



17AE2ACG066 MUSTANG COLT RZT 42 (2008)
Rear Drive & Wheels

Page 20 of 22

Ref #	Part Number	Qty	S/P/F	Description
1	618-04317	1	S	Wheel Hub, 7/16-14 x 1.6 Double D
1	710-0852	8	/P	Stud, Rib Neck, 7/16-14 x1.6 Not shown
2	618-04431A	1	S	Transmission Assembly, LH
2	732-04448	1	/P	Neutral Return Spring Not shown
3	618-04432A	1	S	Transmission Assembly, RH
3	732-04448	1	/P	Neutral Return Spring Not shown
4	634-04294	1		Wheel Assembly, 18 x 8.5 x 8
4	734-04246	1		Tire, 18 x 8.5 x 8 Not shown
4	603-04173	1		Rim Assembly Not shown
4	734-0255	1	S	Valve Assembly Not shown
5	710-0176	1	/P	Hex Cap Screw, 5/16-18 x 2.75
6	710-0395	1	/P	Hex Cap Screw, 5/16-18 x 2.25
7	710-3119	1	/P	Hex Cap Screw, 3/8-16 x .75
8	712-04063	1	/P	Hex Flange Nut, 5/16-18
9	712-0459	1	/P	Hex Flange Nut, 7/16-20
10	712-3050	1	/P	Lug Nut, 7/16-14
11	714-0507	1	S	Cotter Pin, 3/32 x .75
12	736-0227	1	S	Flat Washer, .39 x 1.5 .134
13	738-04192	1		Rod, .405 x 14.0
14	747-04217C	1	S	Bypass Rod
15	750-04561	1		Tube, .45 x .69 x 10.2
16	754-04043A	1	S	Type A Sec V-Belt, 57.7



17AE2ACG066 MUSTANG COLT RZT 42 (2008)
Seat Adjustment

Page 22 of 22

Ref #	Part Number	Qty	S/P/F	Description
1	710-1268	1	/P	Hex Screw, #10-16 x .375
2	712-04063	1	/P	Hex Insert Flange Lock Nut, 5/16-18
3	712-04064	1	/P	Hex Insert Flange Lock Nut, 1/4-20
4	720-0309A	1	/P	Seat Adjustment Grip
5	726-0201	1		Speed Nut, .3125
6	731-04074	1		Seat Adjustment Spacer
7	732-0499	1		Compression Spring, .41 x 1.5
8	732-1184	1	/P	Extension Spring, .84 Dia. x 4.6
9	736-0204	1	/P	Flat Washer, .344 x .62 x .033
10	736-3019	1		Flat Washer, .531 x 1.062 x .134
11	738-0137A	1	S	Shoulder Screw, .34 x .285 x 1/4-20
12	738-0296	1	S	Shoulder Screw, .437 x .268 x 5/16-18
13	738-0966A	1	/P	Shoulder Screw, .5 x .925 x 3/8 -16
14	783-0209D	1	/P	Seat Lift Bracket
15	783-0611	1		Seat Adjustment Stop
16	783-0738D	1	/P	Seat Pivot Bracket
17	783-0739A	1	S	Seat Adjustment Lever
18	783-0753	1		Seat Adjustment Index Bracket
19	736-0242	1	/P	Belleville Washer, .34 x .872 x .06