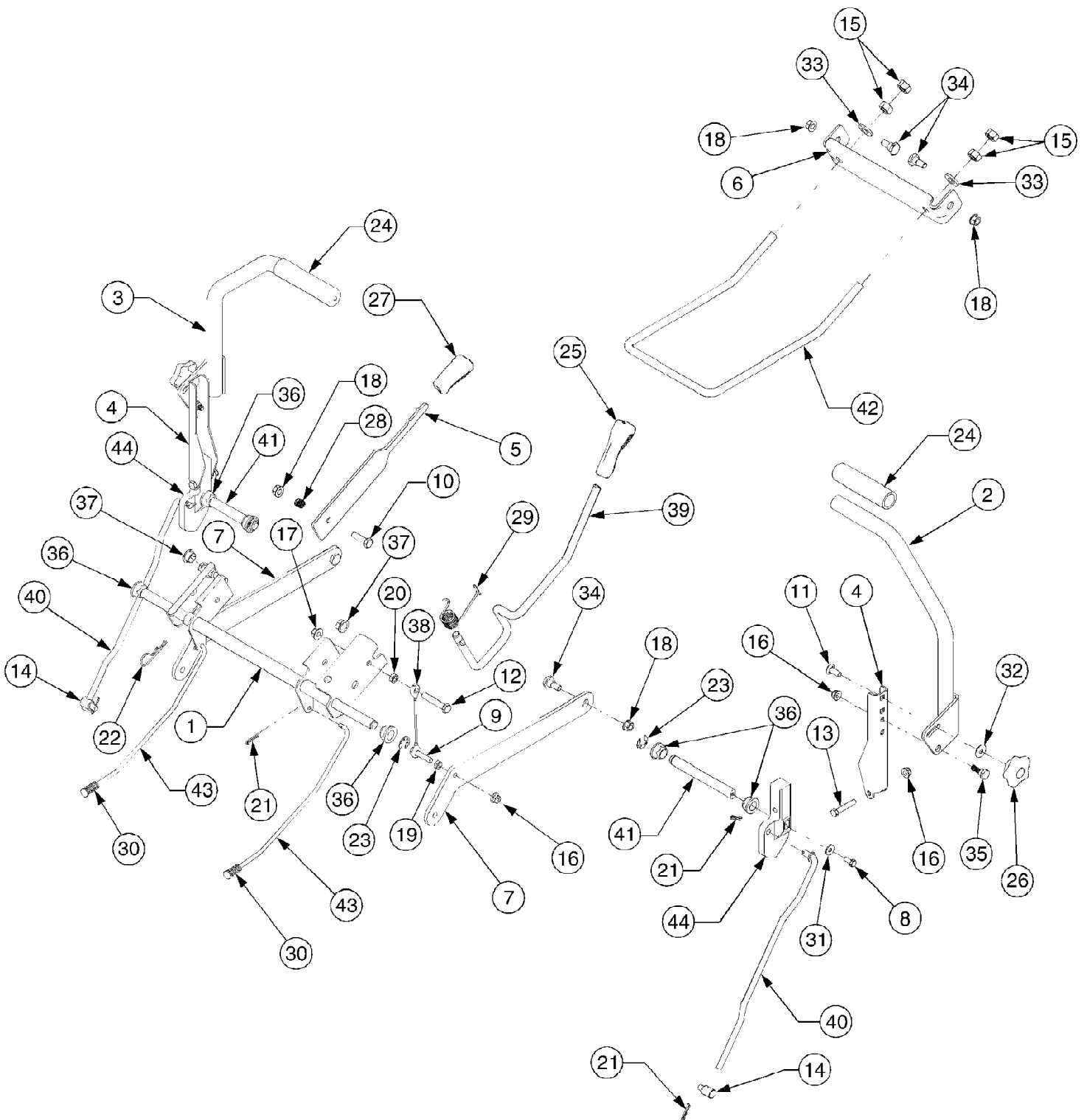


17AA5ABP766 RZT 50 (2006)  
Control Handle

Page 2 of 25

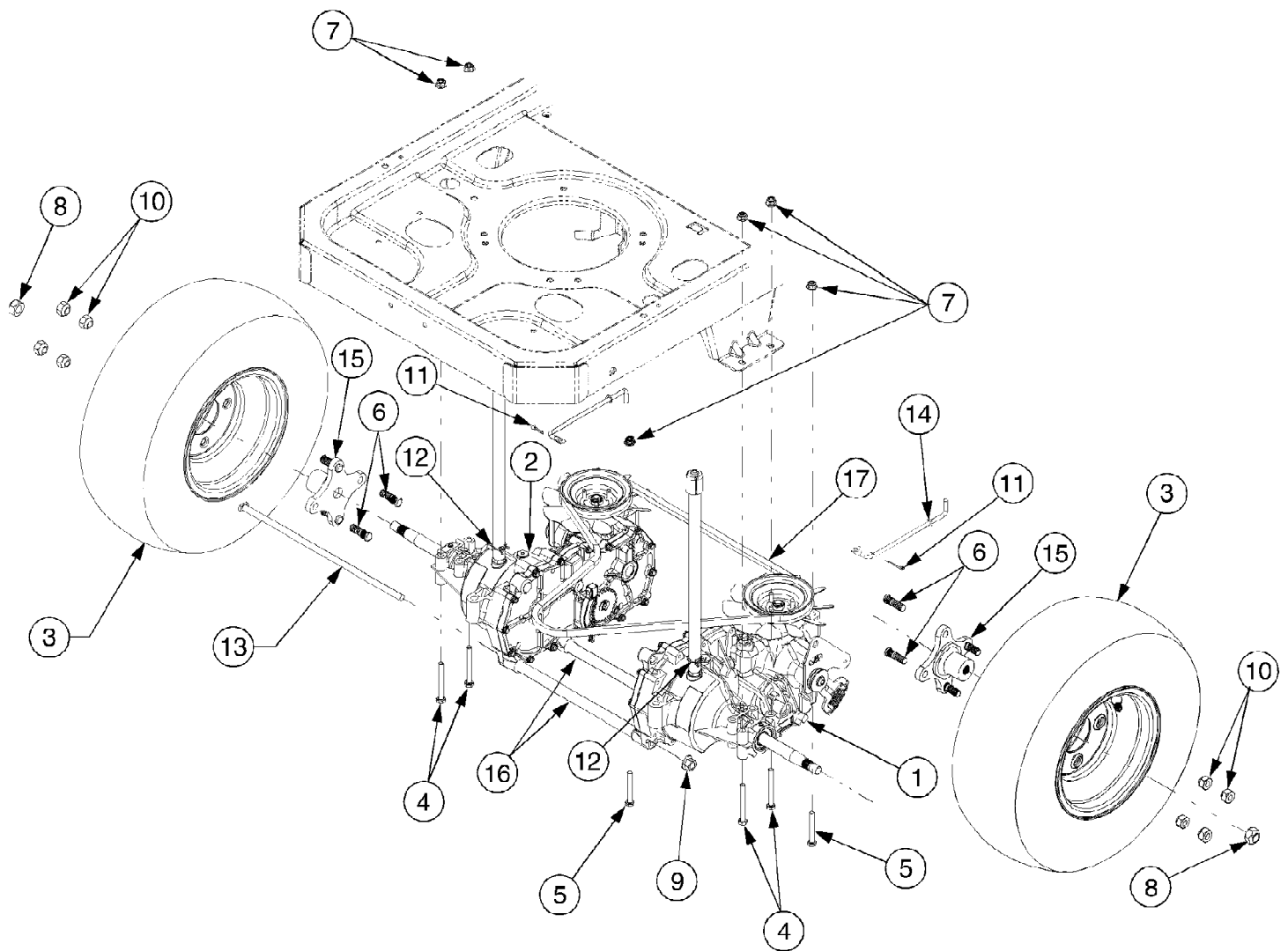
Ref #	Part Number	Qty	S/P/F	Description
2	603-04322	1		Lever, Lapbar, RH
2	603-04324	1		Lever, Lapbar, LH
4	703-05387A	1	S	Bracket, Lapbar Pivot
11	710-3008	1	/P	Screw, Hex Cap, 5/16-18 x .75 GR5
13	710-3180	1	/P	Screw, Hex Cap, 5/16-18 x 1.75 GR5
16	712-04063	1	/P	Nut, Hx Flange Insert Lck, 5/16-18 GrF
24	720-0274	1	/P	Grip, Hand
32	736-0275	1	S	Washer, Flat, .344 x .688 x .065
35	738-0296	1	S	Screw, Shoulder, .437 x .268:5/16-18



17AA5ABP766 RZT 50 (2006)  
Controls and Deck Lift

Page 4 of 25

Ref #	Part Number	Qty	S/P/F	Description
1	603-04160A	1	S	Shaft Assembly, Deck Lift
2	603-04322	1		Lever, Lapbar, RH
3	603-04324	1		Lever, Lapbar, LH
4	703-05387A	2	S	Bracket, Lapbar Pivot
5	703-05396	1	S	Handle, Brake
6	703-05414A	1		Bracket, Front Deck Hanger
7	703-05793	2	/P	Arm, Deck Lift
8	710-0433	2	/P	Screw, Hex Lock, 1/4-20 x .62 GR5
9	710-0805	2	/P	Screw, Hex Cap, 5/16-18 x 1.5 GR5 ...
10	710-3005	1	/P	Screw, Hex Cap, 3/8-16 x 1.25 GR5 ...
11	710-3105	2		Bolt, Carriage, 5/16-18 x .875
12	710-3144	2	/P	Screw, Hex Cap, 3/8-16 x 2.0 GR5
13	710-3180	2	/P	Screw, Hex Cap, 5/16-18 x 1.75 GR5
14	711-0832	2	S	Ferrule, 3/8-24 x .375
15	712-3048	4	S	Nut, Hex Jam, 1/2-13 GR5
16	712-04063	6	/P	Nut, Hx Flange Insert Lck, 5/16-18 GrF
17	712-04065	2	/P	Nut, Hx Flange Insert Lck, 3/8-16GrF
18	712-0431	5	S	Nut, Hex Flange Lock, 3/8-16 GRF
19	712-3007	2	/P	Nut, Hex Jam, 5/16-18 GR5
20	712-3008	2	S	Nut, Hex Jam, 3/8-16 GR5
21	714-0104	6	S	Pin, Internal Cotter
22	714-3020	1	/P	Pin, Internal Cotter
23	716-0106	4	/P	E-Ring , .625 Dia. Shaft
24	720-0274	2	/P	Grip, Hand
25	720-0311	1		Grip, Handle
26	720-04072	2	S	Knob, Nut, 5/16-18 Nylon Lock
27	731-04735	1		Grip, Handle
28	732-0334	1	S	Spring, Compression
29	732-0874	1	/P	Spring, Torsion
30	732-04350	2		Spring, Compression
31	736-0270	2	/P	Washer, Bell, .265 x .75 x .062
32	736-0425	2	S	Washer, Bell, .325 x .93 x .045
33	736-3019	2		Washer, Flat, .531 x 1.062 x .134 HT
34	738-0143	4	/P	Screw, Shoulder, .498 x .340:3/8-16
35	738-0296	2	S	Screw, Shoulder, .437 x .268:5/16-18
36	741-0225	6	S	Bearing, Hex Flange
37	741-3074	2		Bearing, Flange, .626 x .938 x .344
38	746-0970	2		Cable, Deck Lift, 5.05 Long
39	747-04224	1		Rod, Deck Lift Handle
40	747-04225A	2	/P	Rod, Lapbar Control
41	747-04226	2	S	Shaft, Control
42	747-04401A	1		Rod, Deck Front Hanger
43	747-04491	2	S	Rod, Brake
44	748-04052	2		Hub, Control

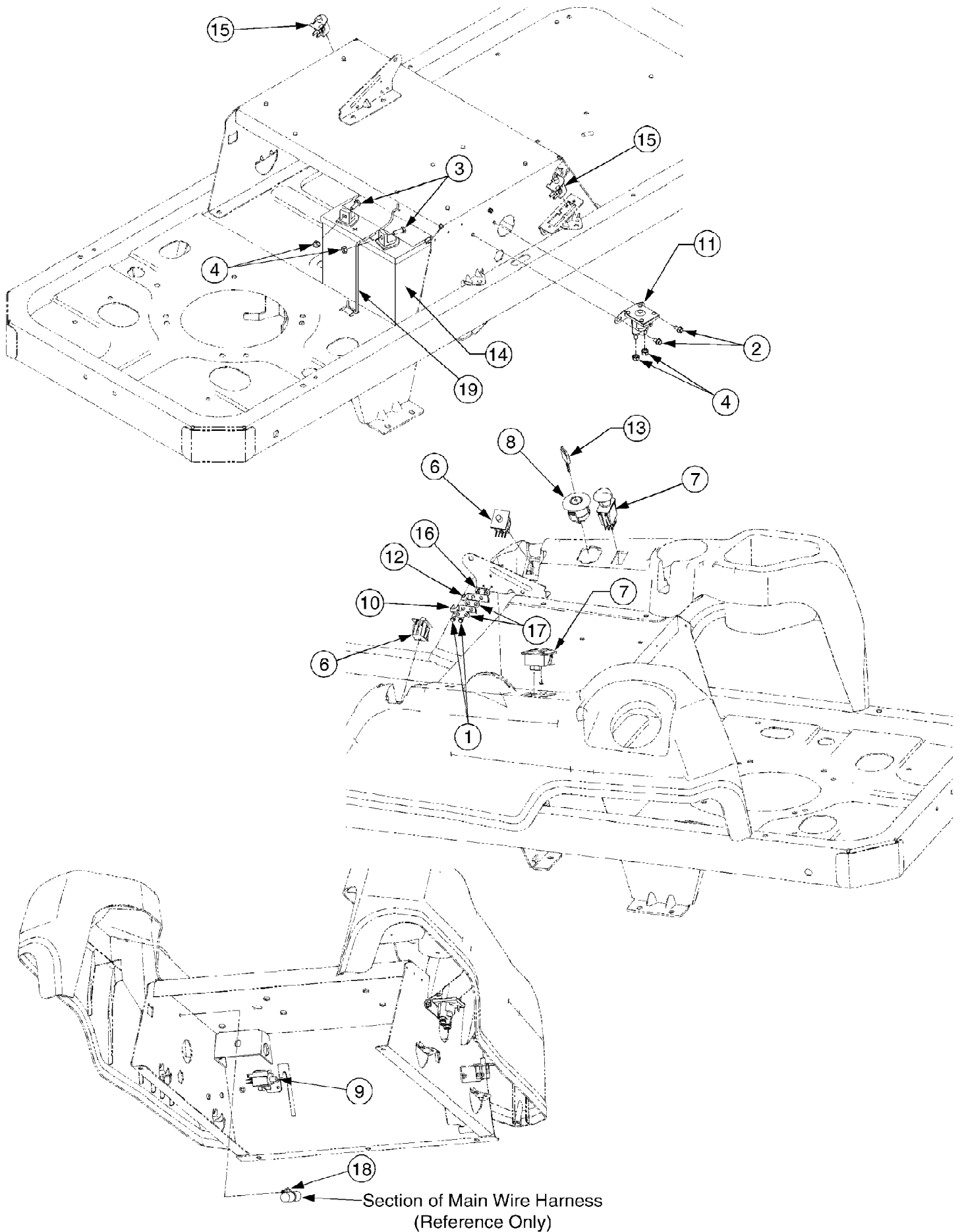


17AA5ABP766 RZT 50 (2006)  
Drive RZT50

Page 6 of 25

Ref #	Part Number	Qty	S/P/F	Description
1	759-04145	1		Transmission Assembly, RH, Service Kit replaces 618-04326 NLA
	732-04448	1	/P	Neutral Return Spring Included in service kit, not shown, must have the same color neutral return spring on RH & LH transmission
	618-04432A	1	S	Transmission, RH Double D axle
2	759-04144	1		Transmission Assembly, LH, Service Kit replaces 618-04327 NLA
	732-04448	1	/P	Neutral Return Spring Included in service kit, not shown, must have the same color neutral return spring on RH & LH transmission
	618-04431A	1	S	Transmission, LH Double D axle
3	634-04171	2	S	Wheel Assembly, 18 x 9.5 x 8, RZT50
3	734-1729	2		Tire, 18 x 9.5 x 8, RZT50 not shown
3	734-0255	2	S	Valve Assembly not shown
4	710-0176	4	/P	Screw, Hex Cap, 5/16-18 x 2.75 GR5
5	710-0395	2	/P	Screw, Hex Cap, 5/16-18 x 2.25 GR5
6	710-0852	8	/P	Stud, Rib Neck, 7/16-14 x 1.6
7	712-04063	6	/P	Nut, Hx Insert Flange Lck, 5/16-18
8	712-04088	2	/P	Nut, Hex Lock, 9/16-18 GRC
9	712-0459	2	/P	Nut, Hex Flange Lock, 7/16-20 GrB
10	712-3050	8	/P	Nut, Lug, 7/16-14
11	714-0507	2	S	Pin, Cotter, 3/32 x .75
12	726-04059	2		Clamp, Hose
13	738-04192	2		Rod, .405 x 14.0
14	747-04217B	2	S	Rod, Bypass
15	748-04055	2	S	Hub, Wheel RZT50, Spline
15	618-04317	2	S	Hub, Wheel RZT50, Double D Included in service kit, not shown
16	750-04561	2		Tube, .45 x .69 x 10.2
17	754-04043	1	S	V-Belt, Type A Sec x 57.7
	710-3119	1	/P	SCREW:3/8"-16 x .750:GR5:LOCK Included in service kit, not shown
	726-04059	1		CLAMP:HOSE: .750 Included in service kit, not shown
	736-0227	1	S	WASHER:FLAT: .390 x 1.50 x .134 Included in service kit, not shown
	751-10474	1		HOSE:BREATHER Included in service kit, not shown
	737-3120	1	/P	Drive System Fluid not shown

17AA5ABP766 RZT 50 (2006)  
Electrical



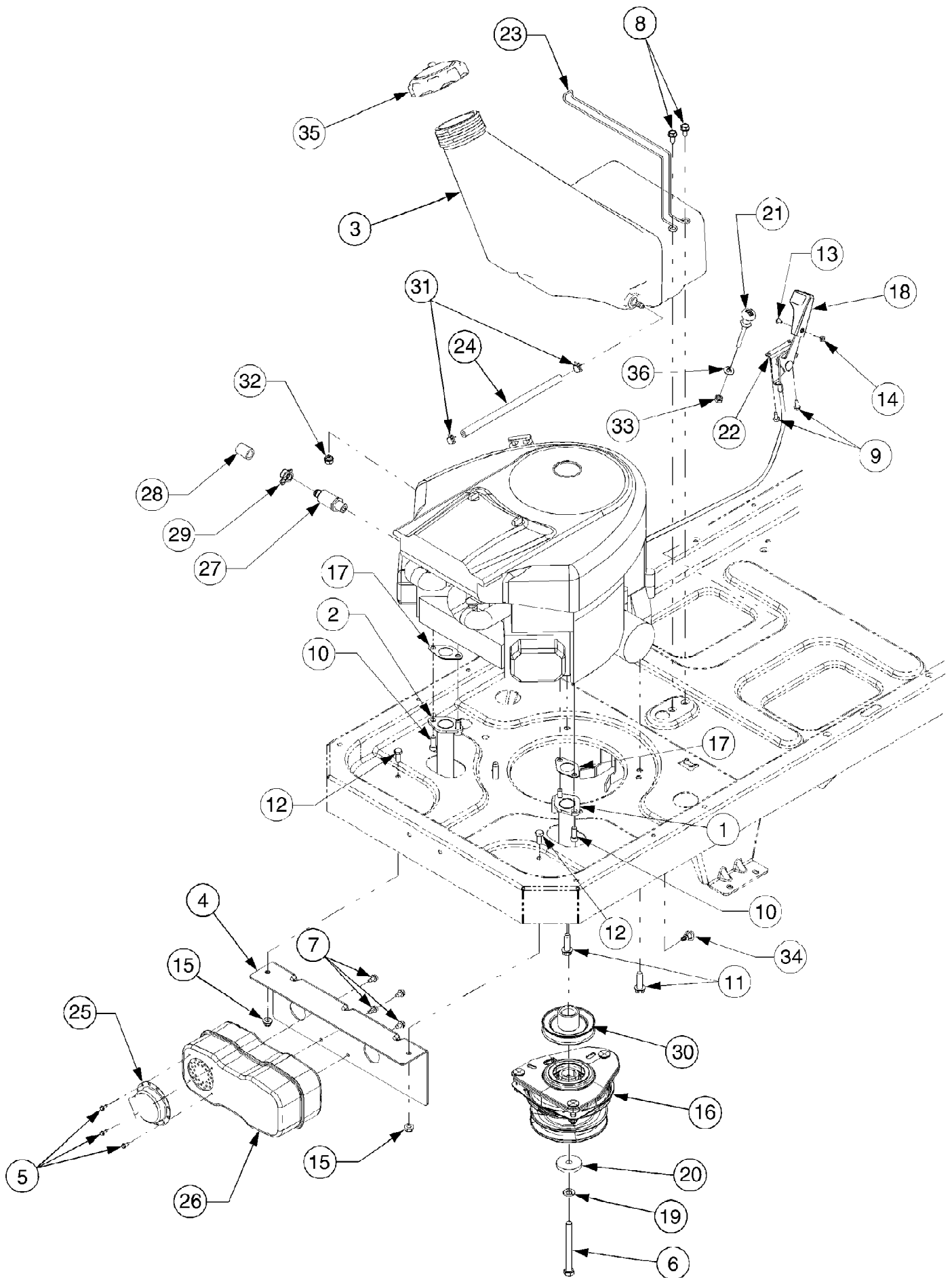
17AA5ABP766 RZT 50 (2006)  
Electrical

Page 8 of 25

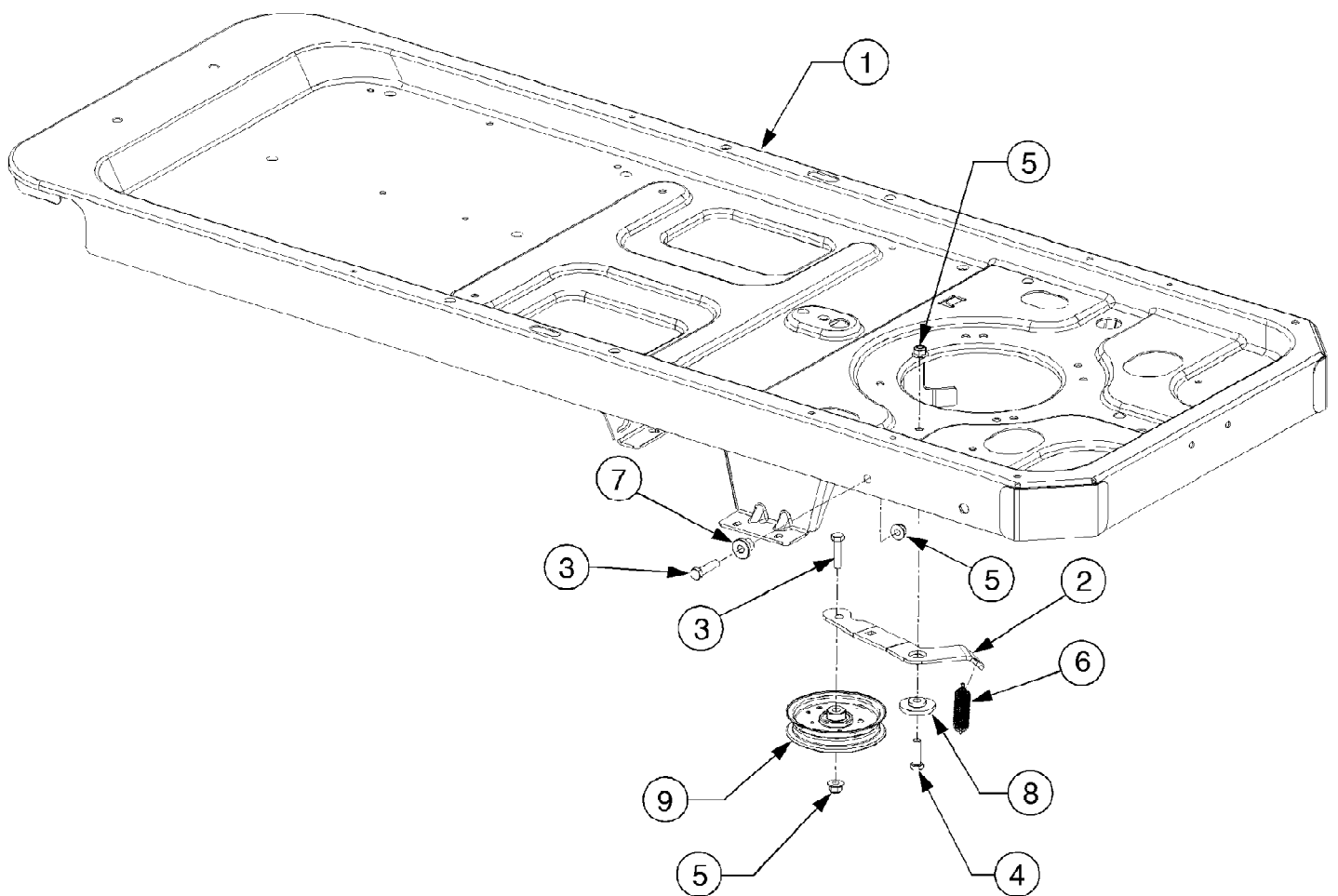
Ref #	Part Number	Qty	S/P/F	Description
1	710-0227	2	/P	Screw, Hex Wash. Hd. Tapp #8-18 x .5
2	710-0599	2	/P	Screw, Hex Wash. Hd. Tapp, 1/4-20 x .5
3	710-3015	2	/P	Screw, Hex Cap, 1/4-20 x .75 GR5 ..
4	712-0271	4	/P	Nut, Hex Sems, 1/4-20
5	725-04022A	1	S	Meter, Hour
6	725-04165	2	S	Switch, Dbl. Pole - Neutral
7	725-04174	1	S	Switch, PTO
8	725-04228	1	S	Switch, Ignition
9	725-04232	1		Switch, 3-Pole, (NC-NO-NO) - Brake
10	725-1303	1	S	Switch, Outer Seat Spring
11	725-1426A	1	S	Solenoid
12	725-1439	1		Switch, Inner Seat Spring
13	925-1745	1	S	Key
14	725-1707D	1	S	Battery, 235 CCA
15	725-3166	2	S	Switch, Snap Mount (N.C.) - Reverse
16	726-0278	1		Plate, Insulator Boss
17	726-0279	2		Plate, Insulator
18	726-0470	2		Tie, Cable
19	747-04425	1		Rod, Battery Holddown
	725-04297	1		Harness Assembly, Wire (not shown)
	725-04188	1		Cable Wire, Black - to Ground (not shown)



17AA5ABP766 RZT 50 (2006)  
Engine Accessories and PTO RZT 50



Ref #	Part Number	Qty	S/P/F	Description
1	603-04162	1		Tube, Exhaust RH
2	603-04163	1		Tube, Exhaust LH
3	751-10057C	1	S	Tank, Fuel, 3.0 Gal.
4	703-05441A	1	/P	Bracket, Muffler Mounting
5	710-0227	3	/P	Screw, Hex Wash. Hd. Tapp #8-18 x .5
6	710-04248	1	/P	Screw, Hex Cap, 7/16-20 x 4.0 GR5
7	710-0599	4	/P	Screw, Hex Wash. Hd. Tapp 1/4-20 x .5
8	710-0726	2	/P	Screw, Hex Wash. Hd. Tapp 5/16-12 x .75
9	710-04261	2		Screw, Hex Wash. Hd. Tapp #12-16 x .5
10	710-1314A	4	/P	Screw, Socket Hd. 5/16-18 x .75
11	710-1315	4	/P	Screw, Hex Wash. Hd. Tapp 3/8-16 x 1.25
12	710-3008	2	/P	Screw, Hex Cap, 5/16-18 x .75 GR5
13	710-3217	1	/P	Screw, Truss Hd. Mach. #8-32 x .375
14	712-0142	1	/P	Nut, Hex, #8-32
15	712-04063	2	/P	Nut, Hex Insert Lock, 5/16-18 GR5
16	717-04183	1	S	Clutch Assembly, Electric PTO
17	721-0460	2		Gasket, Exhaust
18	731-04914	1	/P	Knob, Throttle Control
19	736-0171	1	S	Washer, Lock, 7/16
20	736-04131	1	/P	Washer, Flat, .438 x 1.75 x .25
21	746-04214	1	S	Cable, Choke, 61Lg
22	746-1086	1	S	Cable, Throttle, 39.0 Lg
23	747-04228A	1		Wire, Tank Mounting
24	751-10349	1		Hose, Fuel Line 10 in
25	751-0564B	1	/P	Deflector, Muffler
26	751-0616B	1	/P	Muffler
27	751-3140	1	S	Valve, Oil Drain
28	751-3141	1	S	Hose, Oil Drain Extension
29	751-3142	1		Cap, Oil Drain Valve
30	756-0978A	1	S	Pulley, Drive
31	726-0205	2	/P	Clamp, Hose
32	712-0271	1	/P	Nut, Hex Sems, 1/4-20
33	712-3005	1	S	Nut, Hex Flange Lock, 3/8-16 GR5 ...
34	726-3055	1		Clip, Cable Retainer
35	751-3124B	1	S	Cap, Fuel
36	736-0300	1	S	Washer, Flat, .406 x .875 x .059

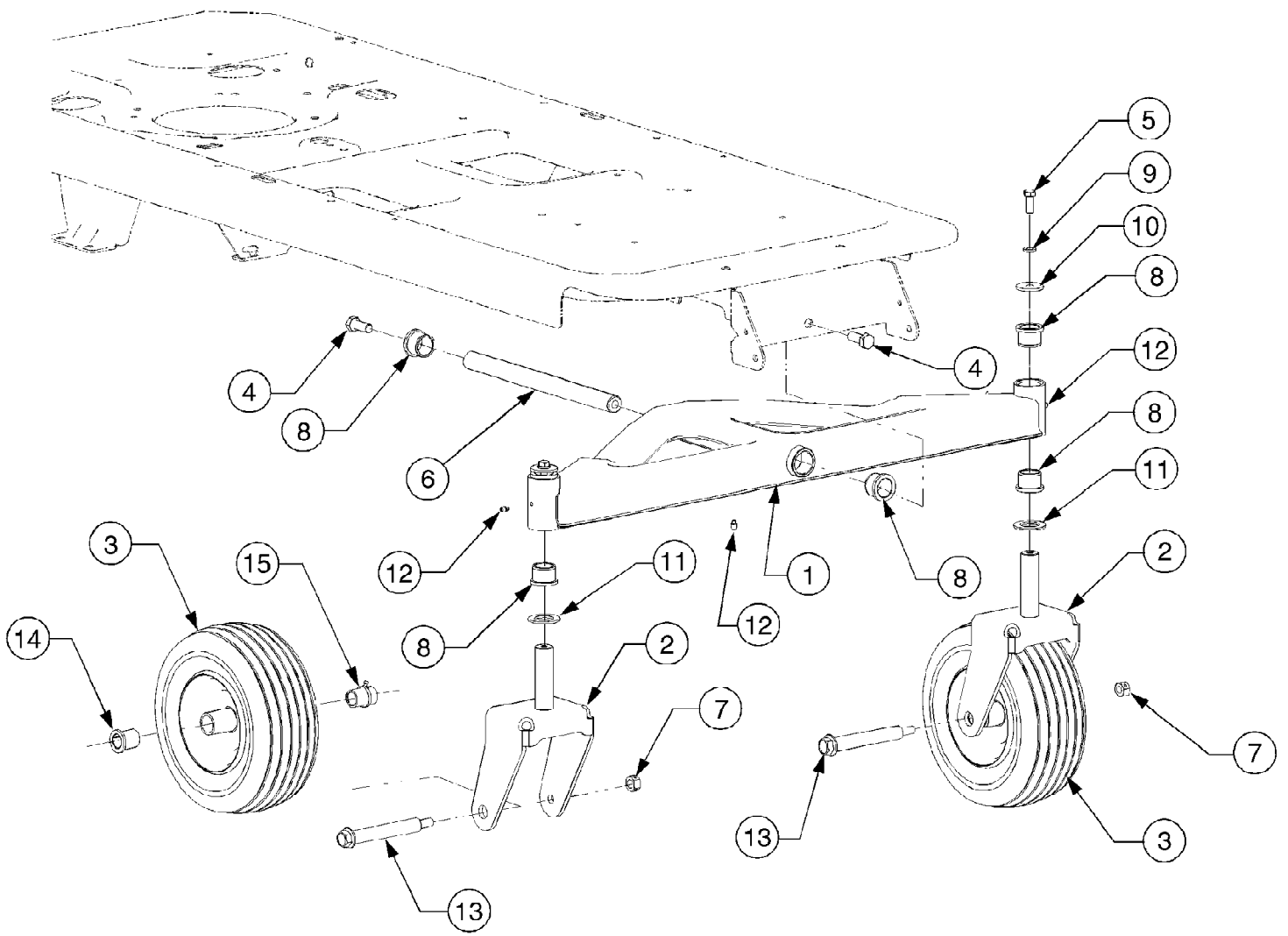


17AA5ABP766 RZT 50 (2006)  
Frame and Drive Idler Assembly

Page 12 of 25

Ref #	Part Number	Qty	S/P/F	Description
1	603-04303B	1	/P	Frame Assembly
1	777D09987	1		Graphic, Troy-Bilt
1	777I22489	2		Graphic, Release Lever
2	703-05829	1	/P	Idler Arm, Drive
3	710-0520	3	/P	Screw, Hex Cap, 3/8-16 x 1.5 GR5
4	710-3005	1	/P	Screw, Hex Cap, 3/8-16 x 1.25 GR5
5	712-04065	4	/P	Nut, Hx Insert Flange Lck, 3/-16 GRF
6	732-0626	1		Spring, Extension, .75 x 5.06
7	738-04058	2		Spacer, Shoulder, .39 x 1.0 x .7
8	738-04162A	1	/P	Screw, Shoulder, .884 x .19
9	756-04129	1	S	Pulley, Idler, 4.25 Dia.

17AA5ABP766 RZT 50 (2006)  
Front Axle

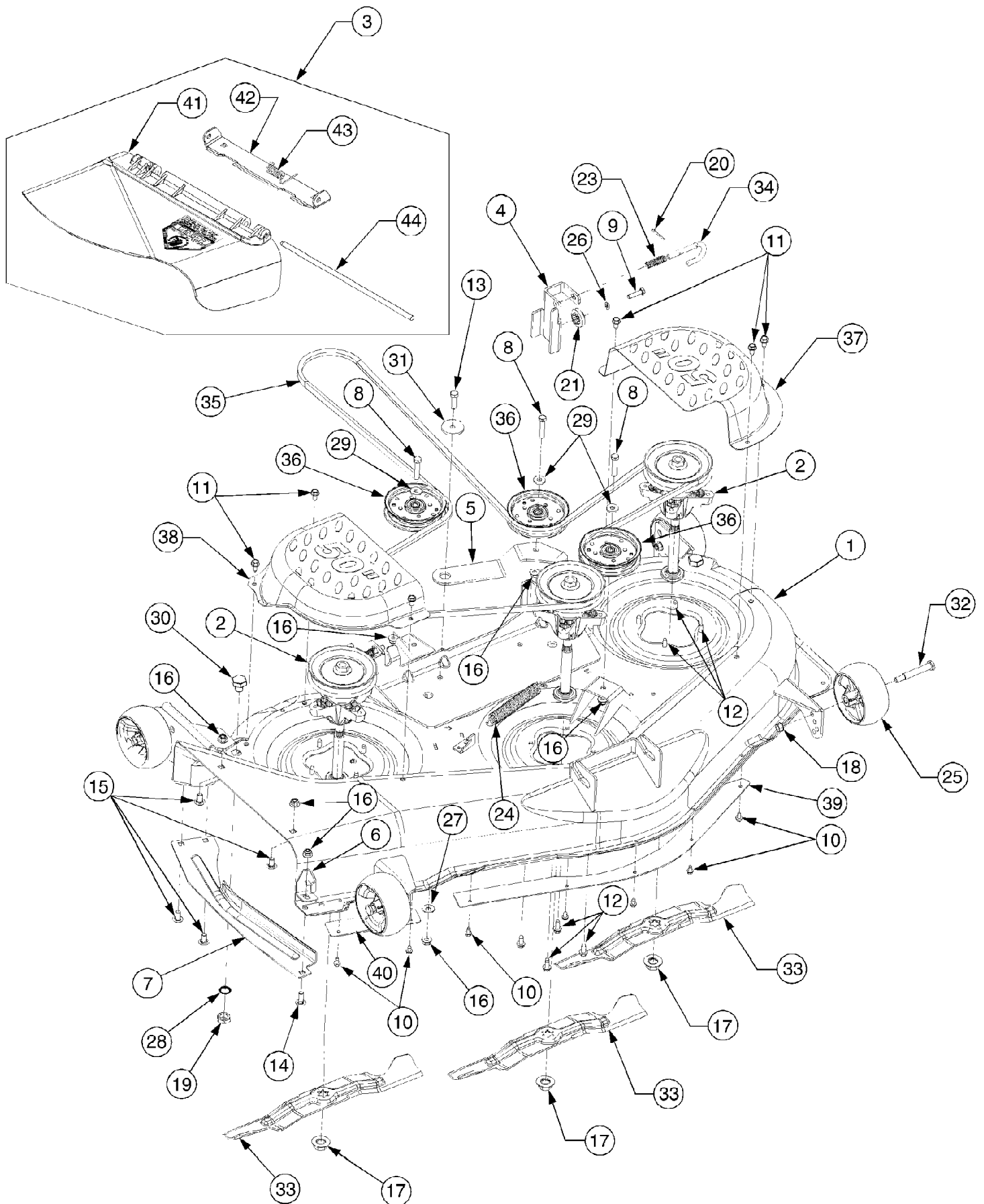


17AA5ABP766 RZT 50 (2006)  
Front Axle

Page 14 of 25

Ref #	Part Number	Qty	S/P/F	Description
1	603-04148A	1		Axle, Front Pivot
2	603-04308	2		Bracket, Castor Wheel
3	634-04237	2	S	Wheel Assembly, 11.0 x 4.0 x 5.0
4	710-04186	2	/P	Screw, Hex Lock, 1/2-13 x 1.25 GR5
5	710-0514	2	/P	Screw, Hex Cap, 3/8-16 x 1.0 GR5
6	711-04228	1	S	Shaft, Axle
7	712-3022	2	/P	Nut, Hex Lock, 1/2-13 GRB
8	731-05500	6		Bearing, Flange, 1.0 x 1.246
9	736-0169	2	S	Washer, Lock, 3/8
10	736-0227	2	S	Washer, Flat, .39 x 1.5 x .134
11	736-0250	2	/P	Washer, Flat, 1.0 x 1.75 x .107
12	737-3000	3	S	Fitting, Lube, 3/16 Drive
13	738-04182	2	S	Screw, Shoulder, .75 x 4.75:7/16-14
14	741-0516B	2	/P	Bearing, Flange, .76 x 1.0 x 1.2
15	741-0990B	2	/P	Bearing, Flange, .76 ID w/Lube Ftg.

17AA5ABP766 RZT 50 (2006)  
Mower Deck 50 inch

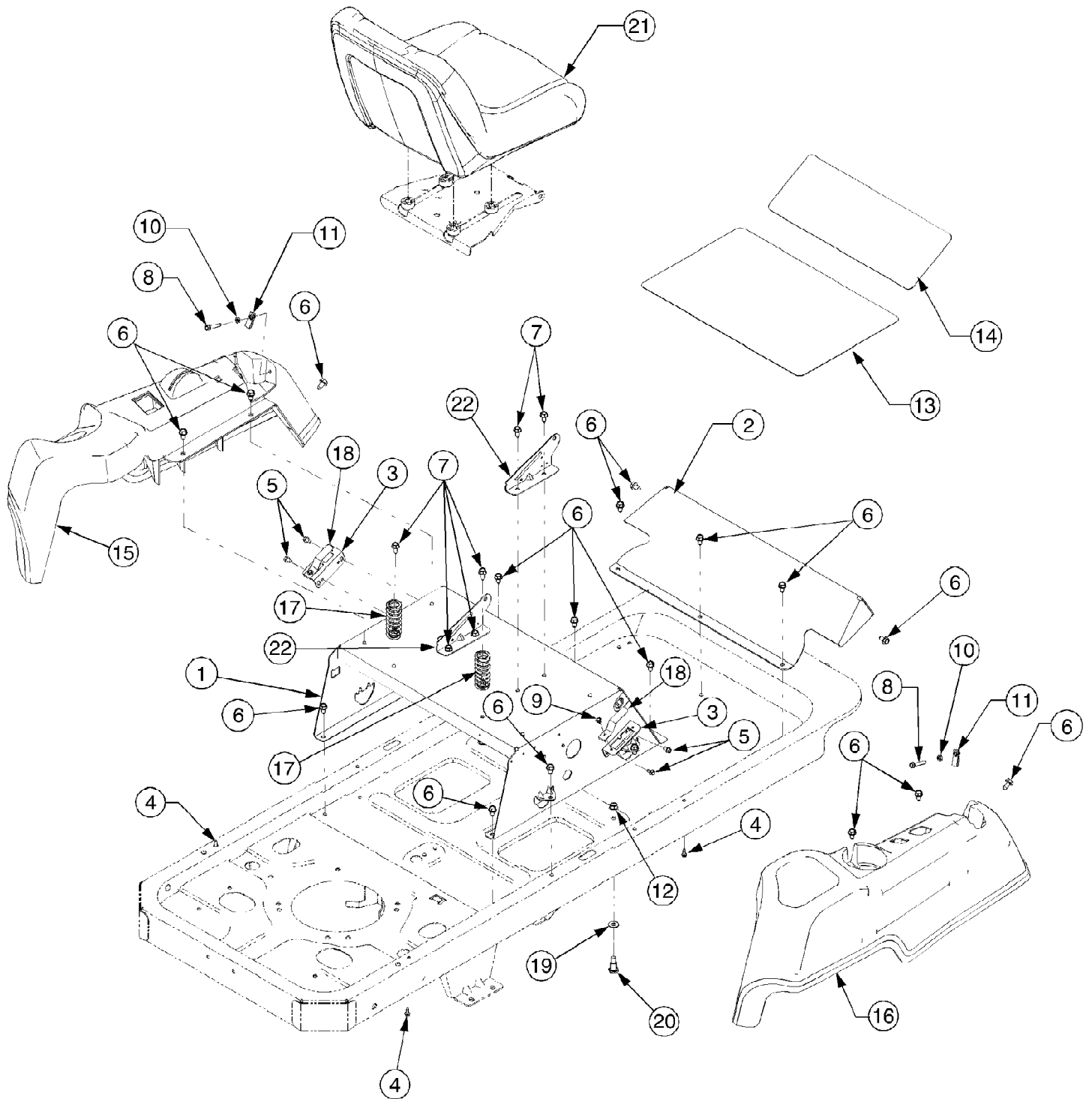


17AA5ABP766 RZT 50 (2006)  
Mower Deck 50 inch

Page 16 of 25

Ref #	Part Number	Qty	S/P/F	Description
1	603-04328	1	S	Housing, Deck
1	777S32598	1		Graphic, Danger
1	777S30503	1	/P	Graphic, Danger
1	777I22282	1	S	Graphic, Instruction
2	618-04126	3	S	Spindle Assembly
2	756-1171	3		Pulley, 5.39 Dia
2	737-3000	3	S	Fitting, Lube, 3/16 Drive
3	631-04070	1	S	Chute Assembly, Discharge
3	777S30284	1	S	Graphic, Danger
4	683-0254	1	S	Bracket, Deck Hanger
5	703-05825	1		Arm, Idler
6	703-3279	1		Bracket, Stop
7	703-3511	1	S	Guard, Finger
8	710-0347	3	/P	Screw, Hex Cap, 3/8-16 x 1.75 GR5 ...
9	710-0528	1	/P	Screw, Hex Cap, 5/16-18 x 1.25 GR5 .
10	710-0599	7	/P	Screw, Hex Wash. Hd. Tapp 1/4-20 x .5
11	710-0726	6	/P	Screw, Hex Wash. Hd. Tapp 5/16-12 x .75
12	710-1260A	12	/P	Screw, Hex Wash. Hd. Tapp 5/16-18 x .75
13	710-3005	1	/P	Screw, Hex Cap, 3/8-16 x 1.25 GR5
14	710-3168	1	/P	Screw, Carriage, 3/8-16 x 1.0
15	710-3178	4	/P	Screw, Carriage, 3/8-16 x .75
16	712-04065	9	/P	Nut, Hx Insert Flange Lck, 3/6-16 GrF
17	712-0417A	3	/P	Nut, Hex Flange, 5/8-18
18	712-0431	4	S	Nut, Hex Flange Lock, 3/8-16 GRF
19	712-0641	2	S	Nut, Hex, M16-1.5
20	714-0470	2	S	Pin, Cotter, 1/8 x 1.25
21	717-1553B	1	S	Gear, Deck Adjustment
23	732-0306A	2	S	Spring, Compression
24	732-0459	1	S	Spring, Extension, .94 Dia. x 6.74
25	734-04155	4		Wheel, Deck Ball, 5.0
26	736-0119	1	S	Washer, Lock, 5/16
27	736-0407	1		Washer, Bell, .45 x 1.0 x .062
28	736-0760	2	S	Washer, Lock
29	736-3072	3	/P	Washer, Flat, .38 x .93 x .110 HT
30	738-04146	2		Plug, Screw, M16 x 1.5
31	738-04162A	1	/P	Spacer, Shoulder, .884 x .190
32	738-3056	4	S	Screw, Shoulder, .5 x 2.5:3/8-16
33	742-04053A	3	S	Blade, 2 in 1, 17.9 Lg
34	747-1116	2	/P	Rod, Deck Hanger
35	754-04044	1	S	Belt V, Type A Sec x 134
36	756-04129	3	S	Pulley, Idler, 4.25 Dia
37	783-04399	1		Cover, Belt LH
38	783-04400	1		Cover, Belt RH
39	783-04414	1	S	Skirt, Center
40	783-04415	1		Skirt, RH
41	731-3131A	1	S	Chute, Deflector
42	783-04470	1	/P	Bracket, Chute Mounting
43	732-3070	1	S	Spring, Torsion
44	711-1762	1		Pin, Hinge



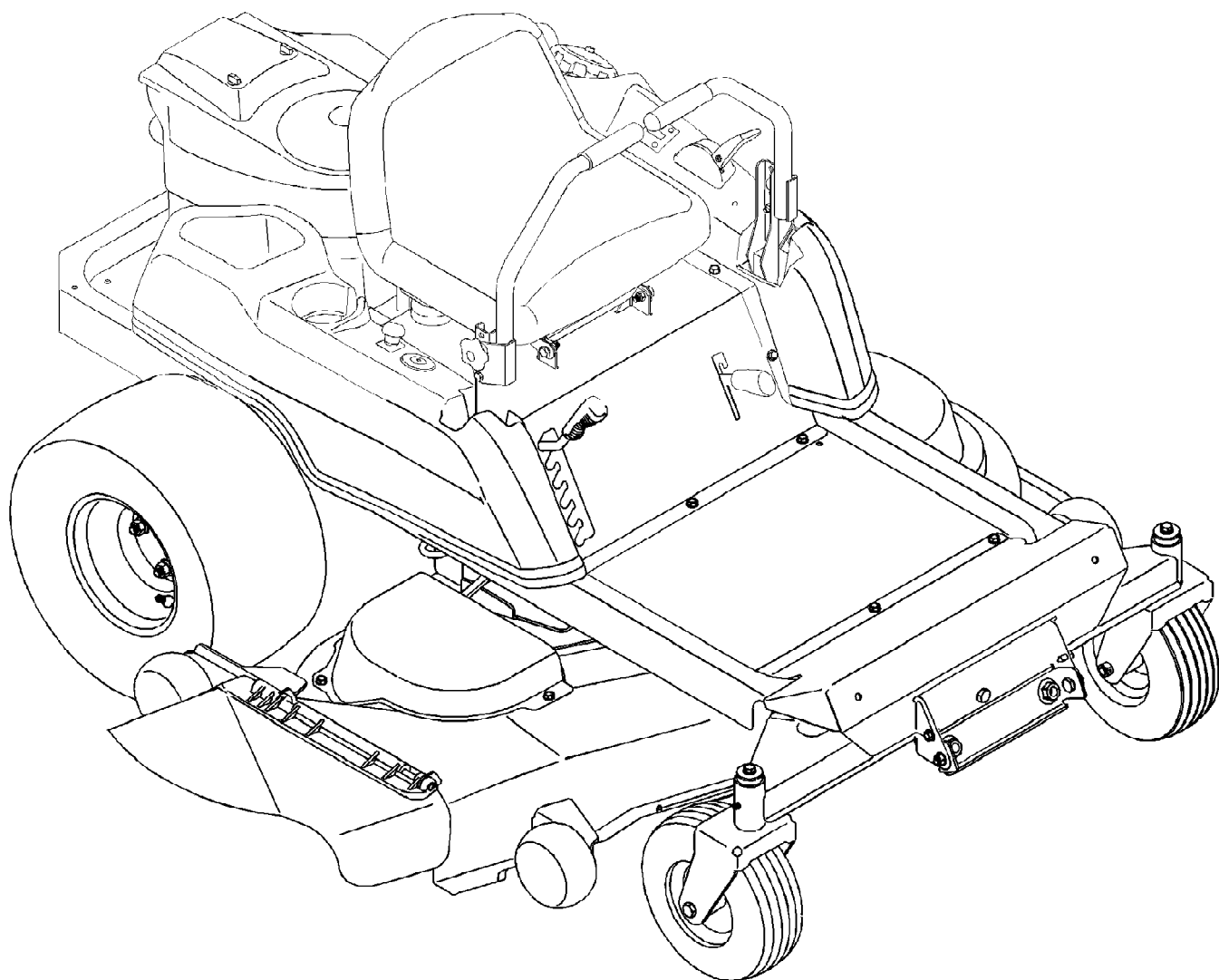


17AA5ABP766 RZT 50 (2006)  
Operator's Platform

Page 18 of 25

Ref #	Part Number	Qty	S/P/F	Description
1	603-04326	1	S	Frame, Seat Box
1	777I22600	1		Graphic, Park Brake
1	777S32354	1	S	Graphic, Warning
1	777I22307	1		Graphic, Deck Height
2	703-05373A	1		Bracket, Foot Rest
2	777D09987	1		Graphic, Troy-Bilt
3	703-05467	2		Bracket, Switch Mounting
4	710-04261	4		Screw, Hex Wash. Hd Tapp #12-16 x .50
5	710-0599	4	/P	Screw, Hex Wash. Hd. Tapp. 1/4-20 x .5
6	710-0604A	20	/P	Screw, Hex Wash. Hd. Tapp 5/16-18 x .625
7	710-0726	6	/P	Screw, Hex Wash. Hd. Tapp 5/16-12 x .75
8	710-0778	2	/P	Screw, Hex Wash. Hd. Tapp. 1/4-20 x 1.5
9	710-1268	2	/P	Screw, Hex Wash. Hd Tapp #10-16 x .375
10	712-0298	2	S	Nut, Hex Jam, 1/4-20 GR2
11	712-04092	2		Nut, U Type Speed, 1/4-20
12	712-0431	2	S	Nut, Hex Flange Lock, 3/8-16 GRF
13	723-04020	1		Pad, Abrasive Foot Plate
14	723-04021	1		Pad, Abrasive Toe Plate
15	731-04662B	1	S	Console, LH
15	777I22608	1		Graphic, Instruction
15	777D09986	1		Graphic, Troy-Bilt
15	777I22305	1		Graphic, Throttle Control 42"
15	777I22309	1		Graphic, Throttle Control 50"
16	731-04663A	1	S	Console, RH
16	777I22609	1		Graphic, Instruction
16	777D09985	1		Graphic, Troy-Bilt
17	732-04035	2		Spring, Compression, 1.28 x 3.125
18	732-04200	2	/P	Spring, Switch Actuator
19	736-0300	2	S	Washer, Flat, .406 x .875 x .059
20	738-0430	2		Screw, Shoulder, .50 x .685:3/8-16 ...
21	757-04010	1	S	Seat
22	783-1489B	2	/P	Bracket, Seat Pivot

17AA5ABP766 RZT 50 (2006)  
Quick Reference 50 Inch

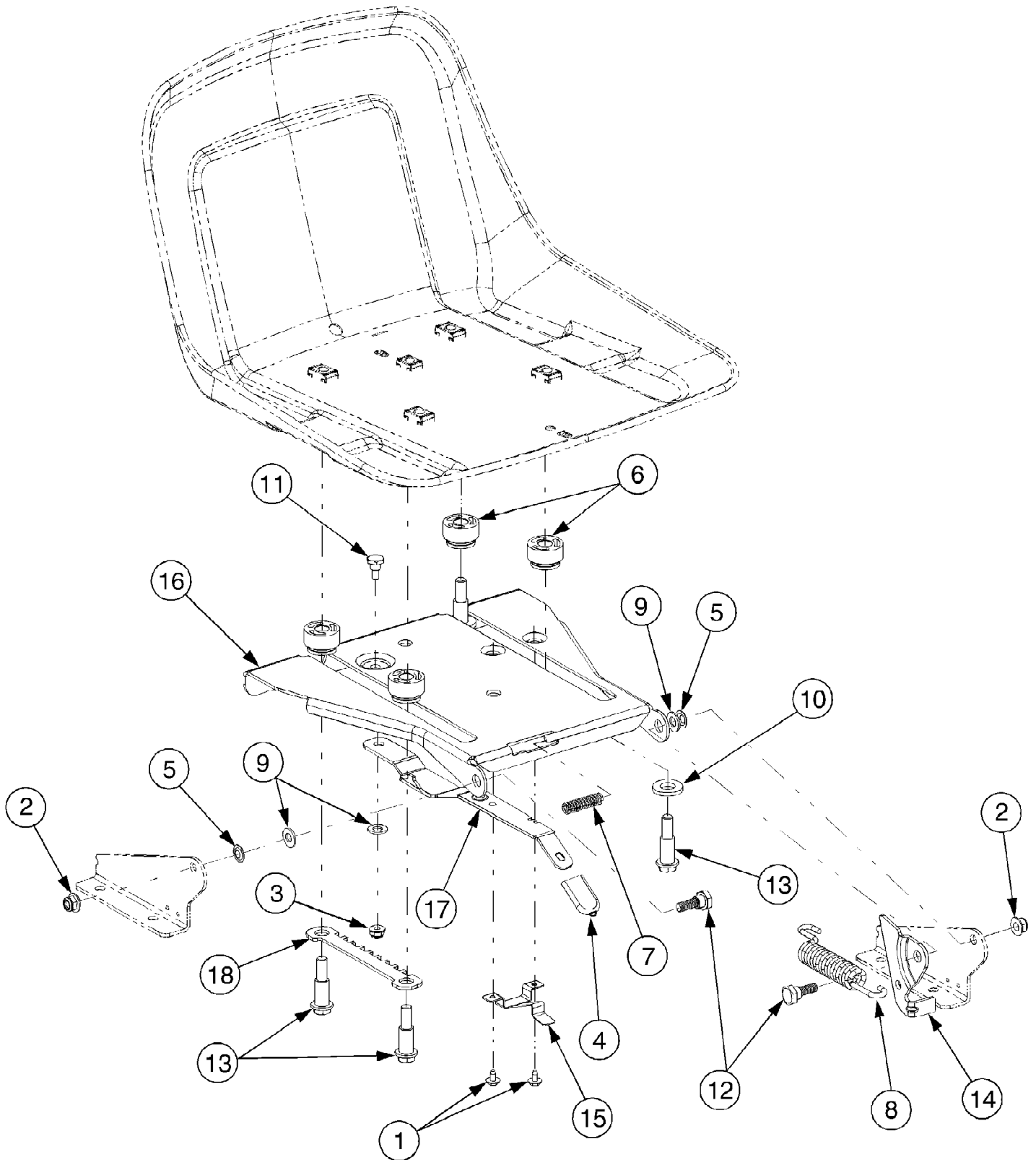


17AA5ABP766 RZT 50 (2006)  
Quick Reference 50 Inch

Page 20 of 25

Ref #	Part Number	Qty	S/P/F	Description
	759-3336	1	/P	Spark Plug
	BS-492932S	1	/P	Oil Filter
	BS-273638S	1	/P	Pre Filter
	BS-499486S	1	/P	Air Filter
	BS-691035	1	/P	Fuel Filter
	751-3124B	1	S	Fuel Cap
	725-1426A	1	S	Solenoid
	618-0427	1	S	Deck Spindles
	942-0616A	1	/P	Blades
	712-0417A	1	/P	Blade Nut
	734-04155	1		Deck Wheels
	N/A	1		Ball Joints
	925-1745	1	S	Ignition Keys
	746-04161	1	S	Throttle Cable
	746-0970	1		Lift Cable
	N/A	1		Upper Drive Belt
	754-04043	1	S	Lower Drive Belt
	754-04045	1	S	Deck Spindle Belt
	N/A	1		PTO Belt
	725-04363	1		Saftey Switch - Brake
	725-04363	1		Saftey Switch - Deck
	731-1032B	1	S	Discharge Chute
	N/A	1		Mulch Plug
	725-1707D	1	S	Battery

17AA5ABP766 RZT 50 (2006)  
Seat Base Assembly



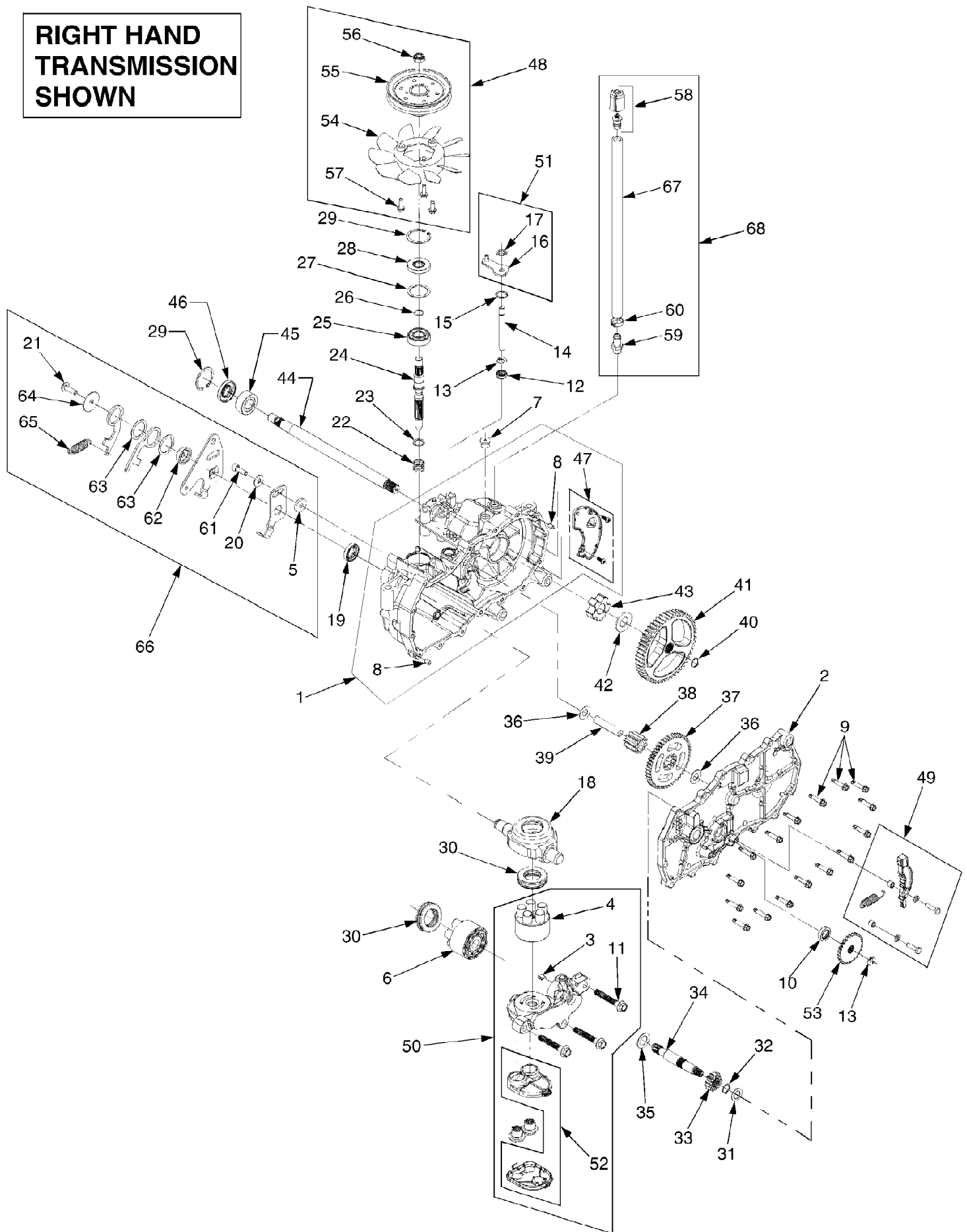
17AA5ABP766 RZT 50 (2006)  
Seat Base Assembly

Page 22 of 25

Ref #	Part Number	Qty	S/P/F	Description
1	710-1268	2	/P	Screw, Hx. Wash. Hd. Tapp #10-16 x .375
2	712-04063	2	/P	Nut, Hx Insert Flange Lck, 5/16-18 GrF
3	712-04064	1	/P	Nut, Hx Insert Flange Lck, 1/4-20 GrF
4	720-0309A	1	/P	Grip, Seat Adjustment
5	726-0201	2		Nut, Speed, .3125
6	731-04074	4		Spacer, Seat Adjustment
7	732-0499	1		Spring, Compression, .41 x 1.5
8	732-1184	1	/P	Spring, Extension, .84 Dia. x 4.6
9	736-0275	3	S	Washer, Flat, .344 x .688 x .065
10	736-3019	2		Washer, Flat, .531 x 1.062 x .134 HT
11	738-0137A	1	S	Screw, Shoulder, .34 x .285:1/4-20
12	738-0296	2	S	Screw, Shoulder, .437 x .268:5/16-18
13	738-0966A	4	/P	Screw, Shoulder, .5 x .925:3/8-16
14	783-0209D	1	/P	Bracket, Seat Lift
15	783-0611	1		Stop, Seat Adjustment
16	783-0738C	1	S	Bracket, Seat Pivot
17	783-0739A	1	S	Lever, Seat Adjustment
18	783-0753	1		Index Bracket, Seat Adjustment

17AA5ABP766 RZT 50 (2006)  
Transmission

**RIGHT HAND  
TRANSMISSION  
SHOWN**



17AA5ABP766 RZT 50 (2006)  
Transmission

Page 24 of 25

Ref #	Part Number	Qty	S/P/F	Description
1	HG-70862R	1	/P	Housing Assembly, Main RH
1	HG-70862L	1	/P	Housing Assembly, Main LH
2	HG-70863R	1	/P	Side Assembly, RH
2	HG-70863L	1	/P	Side Assembly, LH
3	HG-51448	1		Plate, Bypass
4	HG-70723	1	/P	Pump Block Assembly
5	HG-51949	1		Spacer, .32 x 1.005
6	HG-70331	1	/P	Motor Block Assembly
7	HG-9005110-5600	1	/P	Plug, SAE #6
8	HG-9004800-2506	2		Pin, Stainless
9	HG-51190	16	/P	Screw, Hex Self Tapping, 1/4-20 x 1.25
10	HG-70719	1	/P	Seal, Brake, RH Trans.
10	HG-50442	1	S	Seal, Lip, LH Trans.
11	HG-50016	3		Bolt, Hex Flange, 3/8-24 x 2.5
12	HG-51626	1		Seal, Lip, .375 x .75 x .25
13	HG-51628	2	/P	Ring, Retaining, .375 Ext.
14	HG-51625	1		Rod, Bypass
15	HG-51627	1		Ring, Retaining, .75 Int.
16	HG-52370	1		Arm, Bypass RH Trans.
16	HG-51910	1		Arm, Bypass LH Trans.
17	HG-51630	1	/P	Ring, Retaining, .375 Push ...
18	HG-51048	1	/P	Swashplate, Trunnion
19	HG-51140	1	/P	Seal, Lip, 18 x 32 x 7
20	HG-44130	1	S	Washer, Flat, 11/32 x 7/8 x 1/16
21	HG-51812	1	/P	Screw, 5/16-24 x 1.0
22	HG-2003014	1	/P	Spring, Compression
23	HG-2003017	1	/P	Washer, .591 x .787 x .04
24	HG-51062	1	/P	Shaft, Input
25	HG-50315	1		Bearing, Ball, 17mm x 40 x 12
26	HG-2000022	1	/P	Ring, Wire Retaining, .561
27	HG-50951	1	/P	Spacer
28	HG-51161	1	/P	Seal, Lip, 17 x 40 x 7
29	HG-50329	2	/P	Ring, Retaining
30	HG-50551	2	S	Bearing, Thrust, 30 x 52 x 13
31	HG-44371	1	/P	Washer, Flat, 5/8 x 1.0 x .05
32	HG-44145	1		Ring, Retaining
33	HG-51130	1		Gear, Pinion, 13T
34	HG-51632	1		Shaft, Motor RH Trans.
34	HG-51845	1		Shaft, Motor LH Trans.
35	HG-51069	1		Washer, .71 x 1.16 x .04
36	HG-50132	2	/P	Washer, HT, .5 x 1.0 x .032 ..
37	HG-51129	1		Gear, 10T/48T
38	HG-51043	1	/P	Gear, Jackshaft, 10T
39	HG-51083	1		Pin, Jackshaft
40	HG-44871	1	/P	Ring, Spiral Retaining
41	HG-51633	1	S	Gear, Bull, 52T
42	HG-44875	1	/P	Washer, 3/4 x 1.5 x .13
43	HG-51088	1	/P	Bearing, Sleeve
44	HG-51954	1	S	Axle
45	HG-51089	1	/P	Bushing, .752 x 1.571 x .625
46	HG-51066	1	/P	Seal, Lip, .75 x 1.577 x .25
47	HG-70868R	1		Kit, Expansion Plate, RH Trans
47	HG-70868L	1		Kit, Expansion Plate, LH Trans



17AA5ABP766 RZT 50 (2006)  
Transmission

Page 25 of 25

Ref #	Part Number	Qty	S/P/F	Description
48	N/A	1		Kit, Fan-Pulley, order individual parts
49	HG-71365	1		Kit, Brake Arm RH Trans.
49	HG-71356	1		Kit, Brake Arm LH Trans.
50	HG-71143	1		Kit, Center Section-Filter RH Trans.
50	HG-71142	1		Kit, Center Section-Filter LH Trans
51	N/A	1		Kit, Bypass Arm, order individual parts
52	HG-70911	1	S	Kit, Filter
53	HG-51635	1	/P	Disc, Brake Cog
54	HG-52315	1		Fan, 7" 10 Blade
55	HG-50302	1	/P	Pulley, 4.5
56	HG-51244	1	S	Nut, Hex Insert Lock, 1/2-20
57	HG-50752	3	/P	Screw, Hex Wash. Hd. Tapp 1/4-20
58	HG-70921	1	/P	Cap, Vent Assembly
59	HG-50591	1	/P	Fitting, Sraight, 9/6-18
60	HG-50590	1		Clamp, Pinch
61	HG-51616	1	S	Screw, Hx Patch, 5/16-24 x 1.0
62	HG-51947	1		Bushing, Pilot, 1.125
63	HG-51948	2		Washer, Plastic
64	HG-51950	1		Washer, 1.5 x .34 x .062
65	HG-51399	1	S	Spring, Extension
66	HG-71095	1		Kit, Return Assembly RH
67	N/A	1		Hose, .5 x 15.0, order kit
68	HG-71308	1	/P	Kit, Breather Assembly
	HG-70853	1	/P	Kit, Seal
	HG-50928	1	/P	Sealant Tube, 10.3 oz