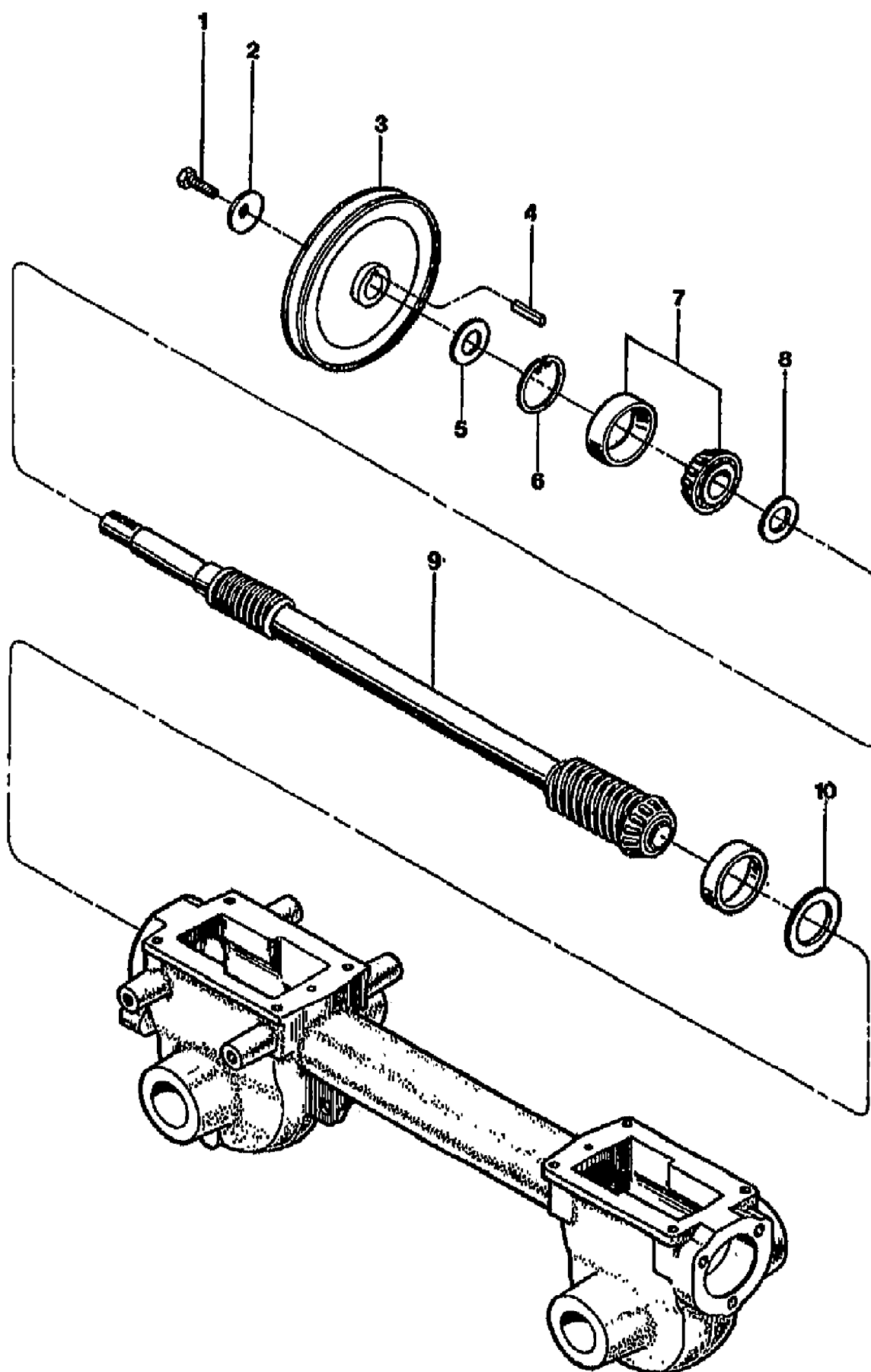


5225 3HP STD. ROTO-TILLER (S/N X0001000-X0012159)  
DRIVE SHAFT ASSEMBLY

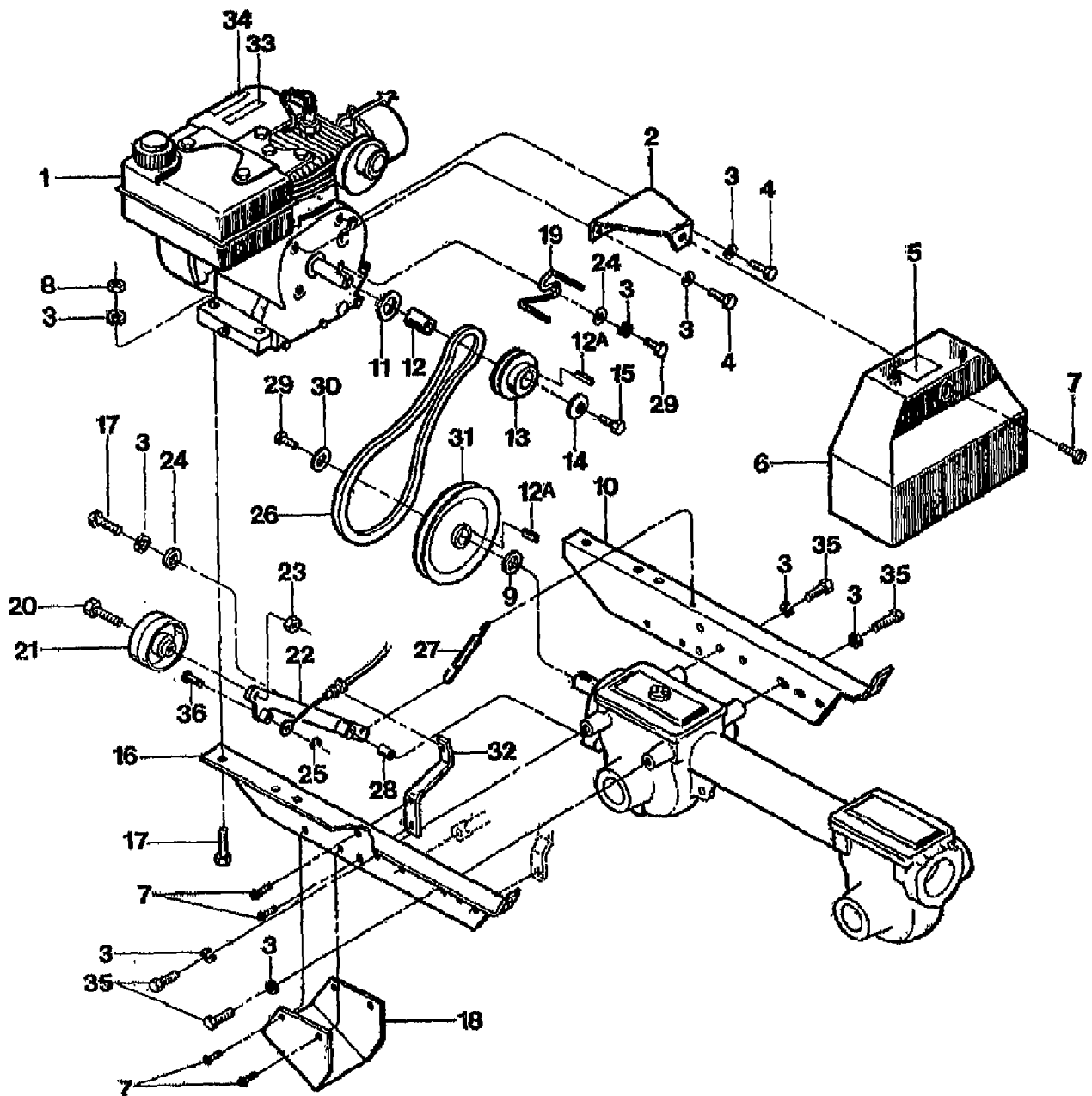


5225 3HP STD. ROTO-TILLER (S/N X0001000-X0012159)  
DRIVE SHAFT ASSEMBLY

Page 2 of 14

| Ref # | Part Number | Qty | S/P/F | Description   |
|-------|-------------|-----|-------|---|
| 1     | 9655        | 0   | S     | SCR-HH 5/16-24X.75 G5 ZP  |
| 2     | 9944        | 0   | S     | WASHER-.827X.331X.098   |
| 3     | 55031       | 0   | S     | PULLEY-TRANSMISSION   |
| 4     | 9301        | 0   | S     | KEY-.188 SQX1.0   |
| 5     | 50027       | 0   | S     | WASHER-SHLDR HARDENED   |
| 6     | 9517        | 0   | S     | RING-RETAINING 5000-181   |
| 7     | 1714        | 0   | S     | KIT-BRG CONE&RACE-DRIVESHAFT  |
| 8     | 50043       | 0   | S     | WASHER-#1.25X.75X.06  |
| 9     | 55001       | 0   |       | DRIVESHAFT-MACH   |
| 10    | 1224-1      | 0   | S     | SHIM-1.75X1.5X.01   |
| 10    | 1224-2      | 0   | S     | SHIM-1.75X1.5X.03   |
| 10    | 1224-3      | 0   | S     | SHIM-1.75X1.5X.005  |
| 10    | 1224-4      | 0   | S     | SHIM-1.75X1.5X.062  |
| 10    | 1325C       | 0   | S     | SHIM SET-DRIVESHAFT-HORSE (INCL. 2<br>#1224-1, 2 #1224-2, 1 #1224-3, 1 #1224-4) |
|       | 1360A       | 0   |       | OIL (1901964)   |
|       | 1901964     | 0   |       | OIL-GEAR 1 QT 140WT   |

5225 3HP STD. ROTO-TILLER (S/N X0001000-X0012159)  
ENGINE, BRACKETS & FORWARD DRIVE

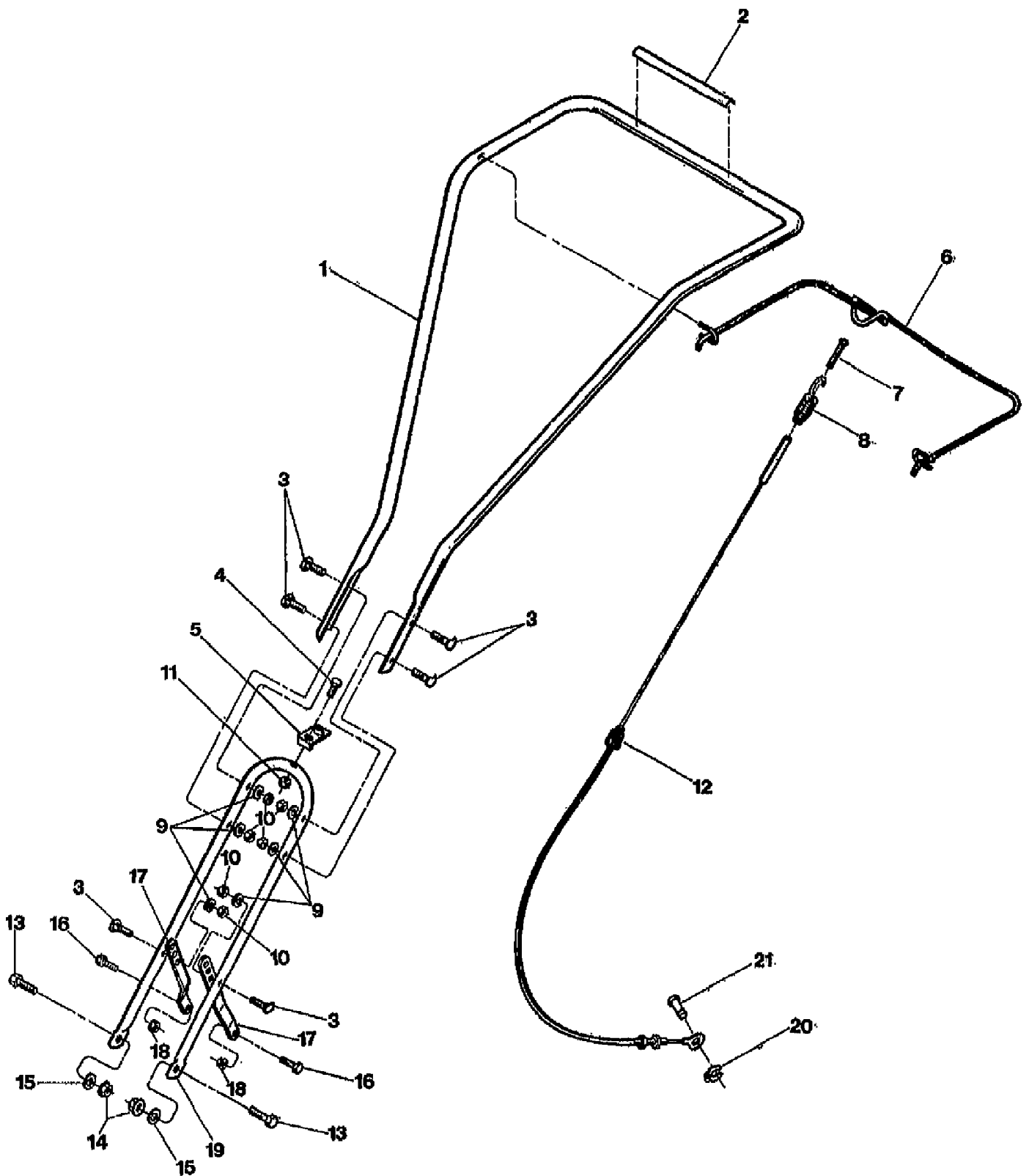


5225 3HP STD. ROTO-TILLER (S/N X0001000-X0012159)  
ENGINE, BRACKETS & FORWARD DRIVE

Page 4 of 14

| Ref # | Part Number | Qty | S/P/F | Description                      |
|-------|-------------|-----|-------|----------------------------------|
| 1     | 0           | 0   |       | ENGINE, TECUMSEH 3HP(H30-35387S) |
| 2     | 55079       | 0   | S     | BRKT-BELT COVER PNT              |
| 3     | 1100242     | 0   | S     | WASHER-LK .312 ZP                |
| 4     | 1111696     | 0   |       | SCR-HH 5/16-24X.50               |
| 5     | 55053       | 0   |       | DECAL-HOT SURFACE                |
| 6     | 55086       | 0   |       | COVER-BELT W/DECAL               |
| 7     | 9552        | 0   | S     | SCR-HWH 1/4-20 X .5 STH          |
| 8     | 1186230     | 0   | S     | NUT-HEX 5/16-18 ZP               |
| 9     | 50027       | 0   | S     | WASHER-SHLDR HARDENED            |
| 10    | 55077-2     | 0   |       | BRKT-ENGINE PNT                  |
| 11    | 1138-2      | 0   | S     | SHIM-1.0X.7656X.031              |
| 12    | 55036       | 0   | S     | SPACER                           |
| 12A   | 9301        | 0   | S     | KEY-.188 SQX1.0                  |
| 13    | 55035       | 0   | S     | PULLEY-ENGINE                    |
| 14    | 9925        | 0   |       | WASHER-.994X.413X.145            |
| 15    | 1100009     | 0   | S     | SCR-HH 3/8-24X1.0 G5 ZP          |
| 16    | 55077-1     | 0   | S     | BRKT-ENGINE LEFT PNT             |
| 17    | 1100799     | 0   | S     | SCR-HH 5/16-18X1.5 G5 ZP         |
| 18    | 55080       | 0   | S     | GUARD-BELT/PULLEY PNT            |
| 19    | 55039       | 0   | S     | BELT STOP                        |
| 20    | 9558        | 0   |       | BOLT-HH 3/8-16X1.5 FTH ZP        |
| 21    | 9090        | 0   | S     | PULLEY-IDLER FORWARD             |
| 22    | 55078       | 0   | S     | ARM-IDLER PNT                    |
| 23    | 1110108     | 0   | S     | NUT-H/LK 3/8-16                  |
| 24    | 1100255     | 0   | S     | WASHER-FLAT 5/16 SAE             |
| 25    | 9386        | 0   |       | RING-KLIP .188 DIA               |
| 26    | 55037       | 0   | S     | BELT-V TUFFY                     |
| 27    | 55034       | 0   | S     | SPRING-RETURN                    |
| 28    | 55033       | 0   |       | BUSHING-IDLER LEVER PM           |
| 29    | 1100004     | 0   | S     | SCR-HH 5/16-24X.75 G5 ZP         |
| 30    | 9944        | 0   | S     | WASHER-.827X.331X.098            |
| 31    | 55031       | 0   | S     | PULLEY-TRANSMISSION              |
| 32    | 55084       | 0   | S     | BRKT-CABLE MTG PNT               |
| 33    | 1900766     | 0   |       | DECAL-STARTING STABIL            |
| 34    | 55055       | 0   |       | DECAL-LOGO ENG.TUFFY             |
| 35    | 1103195     | 0   |       | SCR-HH 5/16-18X.63 G5            |
| 36    | 9856        | 0   | S     | PIN-CLEVIS CABLE                 |

5225 3HP STD. ROTO-TILLER (S/N X0001000-X0012159)  
HANDLE BARS & CLUTCH CABLE

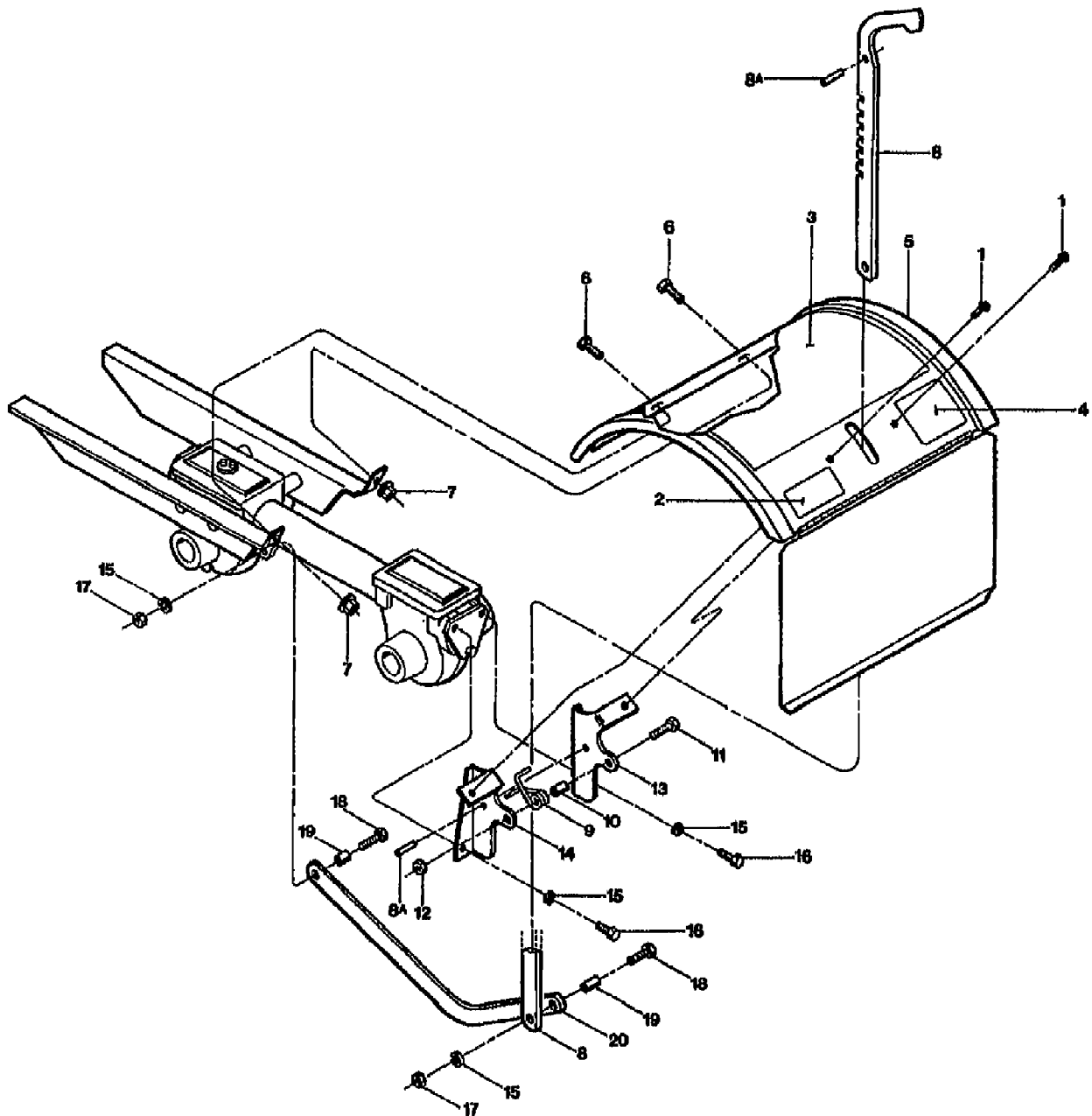


5225 3HP STD. ROTO-TILLER (S/N X0001000-X0012159)  
HANDLE BARS & CLUTCH CABLE

Page 6 of 14

| Ref # | Part Number | Qty | S/P/F | Description              |
|-------|-------------|-----|-------|--------------------------|
| 1     | 55104       | 0   | S     | HANDLEBAR-UPR W/DECAL    |
| 2     | 55052       | 0   |       | DECAL-FWD.CLUTCH LEVER   |
| 3     | 9854        | 0   | S     | SCR-CUR.H.5/16X1 1/2     |
| 4     | 1100806     | 0   | S     | SCR-HH 1/4-20X1.25       |
| 5     | 55044       | 0   | S     | TAB-CONDUIT MOUNT        |
| 6     | 55046       | 0   |       | BAIL-FWD. DRIVE PNT      |
| 7     | 9855        | 0   | S     | SCR-SLOT.H.10-24X2       |
| 8     | 55047       | 0   | S     | ASSM-SPRING CABLE        |
| 9     | 1100242     | 0   | S     | WASHER-LK .312 ZP        |
| 10    | 1186230     | 0   | S     | NUT-HEX 5/16-18 ZP       |
| 11    | 1817146     | 0   | S     | NUT-LK 1/4-20            |
| 12    | 55048       | 0   | S     | ASSM-CONTROL CABLE       |
| 13    | 1100068     | 0   | S     | SCR-HH 3/8-16X.75 G5 ZP  |
| 14    | 9837        | 0   | S     | NUT-LOCK 3/8-16 NYLON ZP |
| 15    | 9904        | 0   | S     | WASHER-FLAT 3/8 SAE      |
| 16    | 1103195     | 0   |       | SCR-HH 5/16-18X.63 G5    |
| 17    | 55081       | 0   | S     | LINK-H/BAR PNT           |
| 18    | 1110107     | 0   | S     | NUT-H/LK 5/16-18         |
| 19    | 55082       | 0   |       | HANDLEBAR-LWR PNT        |
| 20    | 9386        | 0   |       | RING-KLIP .188 DIA       |
| 21    | 9856        | 0   | S     | PIN-CLEVIS CABLE         |

5225 3HP STD. ROTO-TILLER (S/N X0001000-X0012159)  
HOOD, DEPTH REGULATOR & DRAG BAR

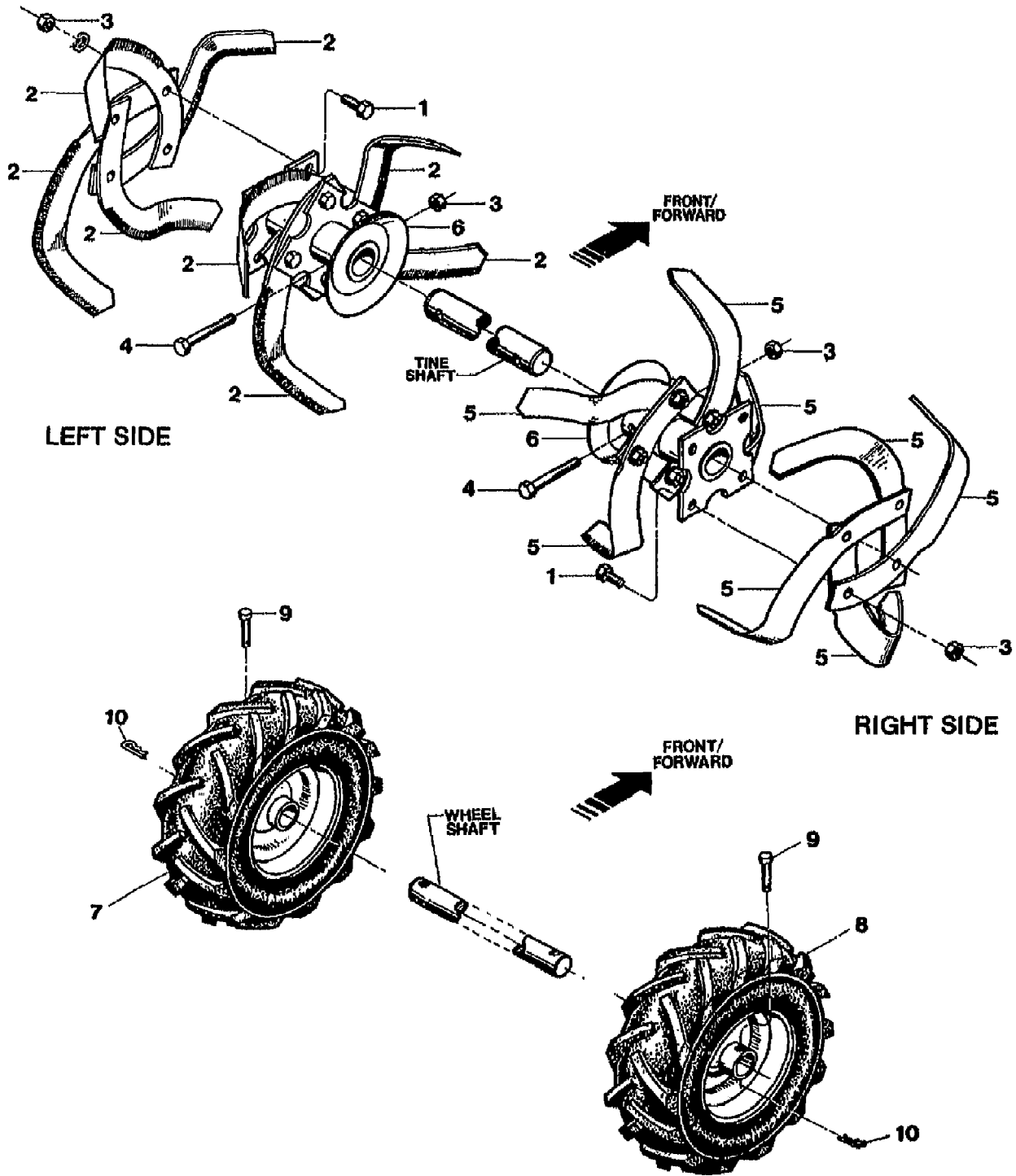


5225 3HP STD. ROTO-TILLER (S/N X0001000-X0012159)  
HOOD, DEPTH REGULATOR & DRAG BAR

Page 8 of 14

| Ref # | Part Number | Qty | S/P/F | Description  |
|-------|-------------|-----|-------|--|
| 1     | 9552        | 0   | S     | SCR-HWH 1/4-20 X .5 STH                                    |
| 2     | 55054       | 0   |       | DECAL-LOGO TUFFY HOOD                                      |
| 3     | 55051       | 0   |       | DECAL-HOOD TUFFY (OPERATING & SAFETY INSTRUCTIONS)         |
| 4     | 20814       | 0   |       | DECAL-TINE WARN SM FRAME                                   |
| 5     | 55076       | 0   | S     | HOOD W/DECALS PNT (INCL. TINE FLAP, 55054, 55051, & 20814) |
| 6     | 1100088     | 0   |       | SCR-HH 5/16-18X.5 GD5 YEL                                  |
| 7     | 1186391     | 0   | S     | NUT-HFLK 5/16-18 ZP  |
| 8     | 55074       | 0   | S     | DEPTH REG-W/PIN PNT  |
| 8A    | 9308        | 0   | S     | PIN-ROLL .25 X 1   |
| 9     | 9384        | 0   | S     | SPRING-TORSION   |
| 10    | 9534        | 0   | S     | SPACER-.250X.343X.375                                      |
| 11    | 1100069     | 0   | S     | SCR-HH 1/4-20X1.0  |
| 12    | 1817146     | 0   | S     | NUT-LK 1/4-20  |
| 13    | 55072-2     | 0   |       | BRKT-HOOD RIGHT PNT  |
| 14    | 55072-1     | 0   | S     | BRKT-HOOD LEFT PNT   |
| 15    | 1100242     | 0   | S     | WASHER-LK .312 ZP  |
| 16    | 1100045     | 0   | S     | SCR-HH 5/16-18X1.0 G5 ZP                                   |
| 17    | 1186230     | 0   | S     | NUT-HEX 5/16-18 ZP   |
| 18    | 1100808     | 0   |       | SCR-HH 5/16-18X1.25 G5ZP                                   |
| 19    | 55088       | 0   | S     | BUSHING-.438X.323X.4                                       |
| 20    | 55073       | 0   | S     | DRAG BAR-TUFFY PNT   |

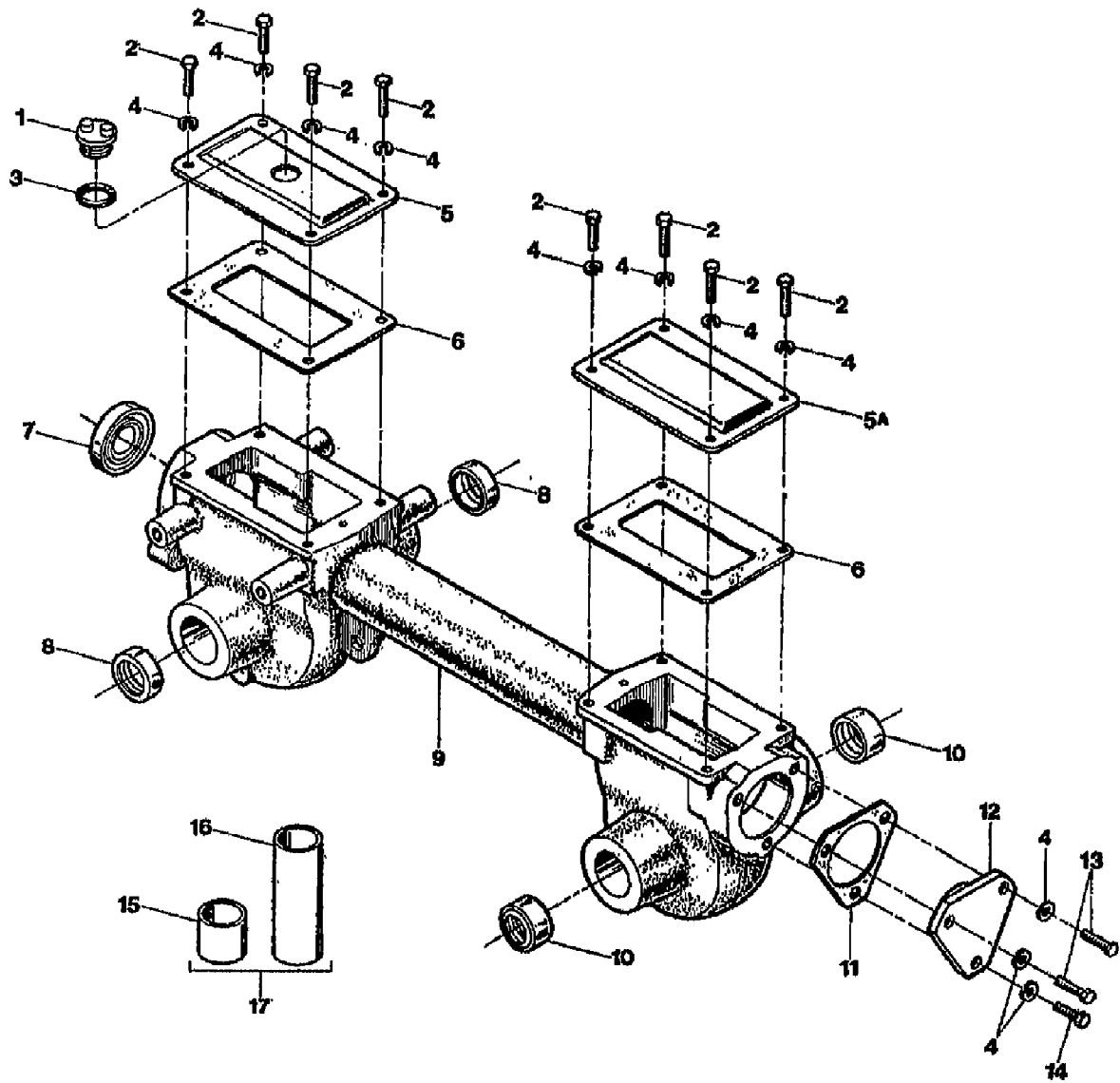




5225 3HP STD. ROTO-TILLER (S/N X0001000-X0012159)  
TINES & WHEELS

Page 10 of 14

| Ref # | Part Number | Qty | S/P/F | Description  |
|-------|-------------|-----|-------|--|
| 1     | 9711        | 0   |       | SCR-HH 3/8-16X1.0 G5 ZP  |
| 2     | 50049-01    | 0   | S     | TINE-BOLO RIGHT  |
| 3     | 9807        | 0   |       | NUT-H/LK 3/8-16  |
| 4     | 9555        | 0   |       | BOLT-HH 3/8-16X1.75 G8 ZP (TINE<br>HOLDER TO TILLER SHAFT)                           |
| 5     | 50049-02    | 0   | S     | TINE-BOLO LEFT   |
| 6     | 55089       | 0   |       | HOLDER-TINE PNT  |
|       | 1901        | 0   | S     | TINES-BOLO JUNIOR/TUFFY (INCL. 8 RH<br>TINES 8 LH TINES, & ALL REQUIRED<br>HARDWARE) |
| 7     | 55045-01    | 0   |       | ASSM-TIRE&WHL LH GRAY  |
| 8     | 55045-02    | 0   |       | ASSM-TIRE&WHL RH GRAY  |
| 9     | 9380        | 0   | S     | PIN-CLEVIS   |
| 10    | 9338        | 0   | S     | PIN-CLIP .08   |

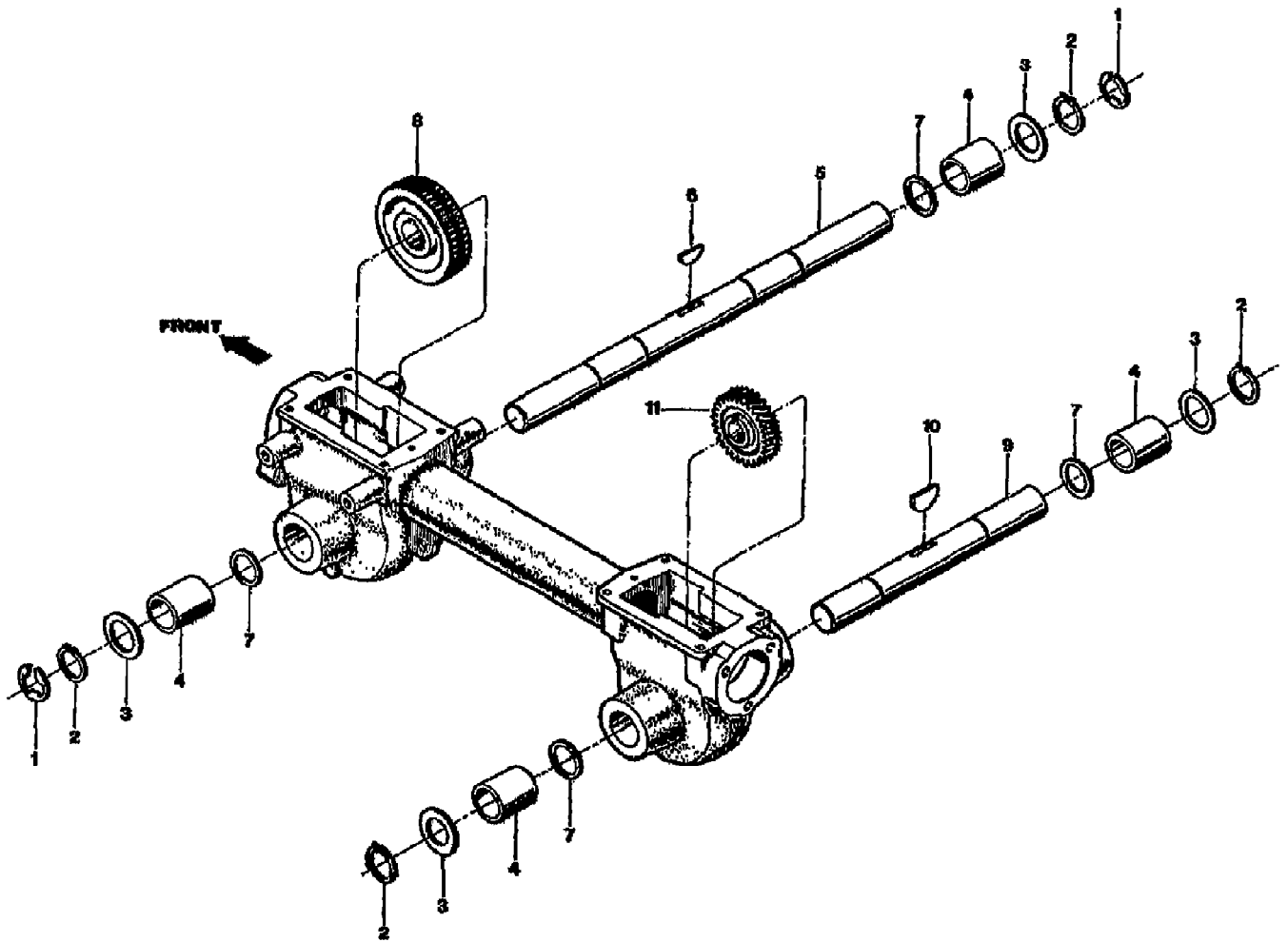


5225 3HP STD. ROTO-TILLER (S/N X0001000-X0012159)  
TRANSMISSION HSG. & SEALS/GASKETS

Page 12 of 14

| Ref # | Part Number | Qty | S/P/F | Description                 |
|-------|-------------|-----|-------|-----------------------------|
| 1     | 9467        | 0   | S     | PLUG-OIL FILL 3/4-10        |
| 2     | 1100088     | 0   |       | SCR-HH 5/16-18X.5 GD5 YEL   |
| 3     | 97037       | 0   | S     | GASKET-O RING .674 I.D.     |
| 4     | 1100242     | 0   | S     | WASHER-LK .312 ZP           |
| 5     | 55090       | 0   |       | COVER-TRANS FRNT PNT        |
| 5A    | 55091       | 0   | S     | CVR-TRANS REAR PNT          |
| 6     | 50032       | 0   | S     | GASKET-GEAR HSG             |
| 7     | 9617        | 0   | S     | SEAL-OIL DRIVESHAFT         |
| 8     | 9621        | 0   | S     | SEAL-OIL WHEELSHAFT         |
| 9     | 55000       | 0   |       | TRANSMISSION-MACH           |
| 10    | 1915308     | 0   | /P    | KIT-OIL SEAL TUFFY          |
| 11    | 55011-1     | 0   | S     | GASKET-BEARING CAP .010     |
| 11    | 55011-2     | 0   |       | GASKET-BEARING CAP .030     |
| 12    | 55010       | 0   | S     | CAP-REAR BEARING-PM         |
| 13    | 1100045     | 0   | S     | SCR-HH 5/16-18X1.0 G5 ZP    |
| 14    | 1100044     | 0   | S     | SCR-HHC 5/16-18X.75 GR 5 ZP |
| 15    | 4921-2      | 0   |       | SEAL-DRIVER PILOT           |
| 16    | 4921-1      | 0   |       | DRIVER-PLASTIC              |
| 17    | 4921        | 0   |       | KIT-DRIVER                  |
|       | 1360A       | 0   |       | OIL (1901964)               |
|       | 1901964     | 0   |       | OIL-GEAR 1 QT 140WT         |

5225 3HP STD. ROTO-TILLER (S/N X0001000-X0012159)  
WHEEL & TILLER SHAFT ASSEMBLIES



5225 3HP STD. ROTO-TILLER (S/N X0001000-X0012159)  
WHEEL & TILLER SHAFT ASSEMBLIES

Page 14 of 14

| Ref # | Part Number | Qty | S/P/F | Description             |
|-------|-------------|-----|-------|-------------------------|
| 1     | 9512        | 0   | S     | RING-RETAINING 5133-989 |
| 2     | 9511        | 0   | S     | RING-HEAVY EXT .906 ID  |
| 3     | 1166-1      | 0   | S     | SHIM-1.375X1.015X.062   |
| 3     | 1166-2      | 0   | S     | SHIM-1.375X1.015X.03    |
| 3     | 1166-3      | 0   | S     | SHIM-1.375X1.015X.015   |
| 3     | 1166-4      | 0   | S     | SHIM-1.375X1.015X.01    |
| 3     | 1166-5      | 0   | S     | SHIM-1.375X1.015X.005   |
| 4     | 1086        | 0   | S     | BUSHING-1.25X1.005X1.5  |
| 5     | 55004       | 0   | S     | SHAFT-WHEEL MACH        |
| 6     | 9305        | 0   | S     | KEY-HI PRO .25X1.062    |
| 7     | 1132-2      | 0   | S     | SHIM-1.234X1.015X.062   |
| 8     | 50041       | 0   |       | GEAR-WORM 61 TEETH MACH |
| 9     | 55006       | 0   |       | SHAFT-TILLER MACH       |
| 10    | 1104        | 0   | S     | KEY-WOODRUFF .25X1.12   |
| 11    | 50042       | 0   | S     | GEAR-WORM BRONZE MACH   |
|       | 1360A       | 0   |       | OIL (1901964)           |
|       | 1901964     | 0   |       | OIL-GEAR 1 QT 140WT     |