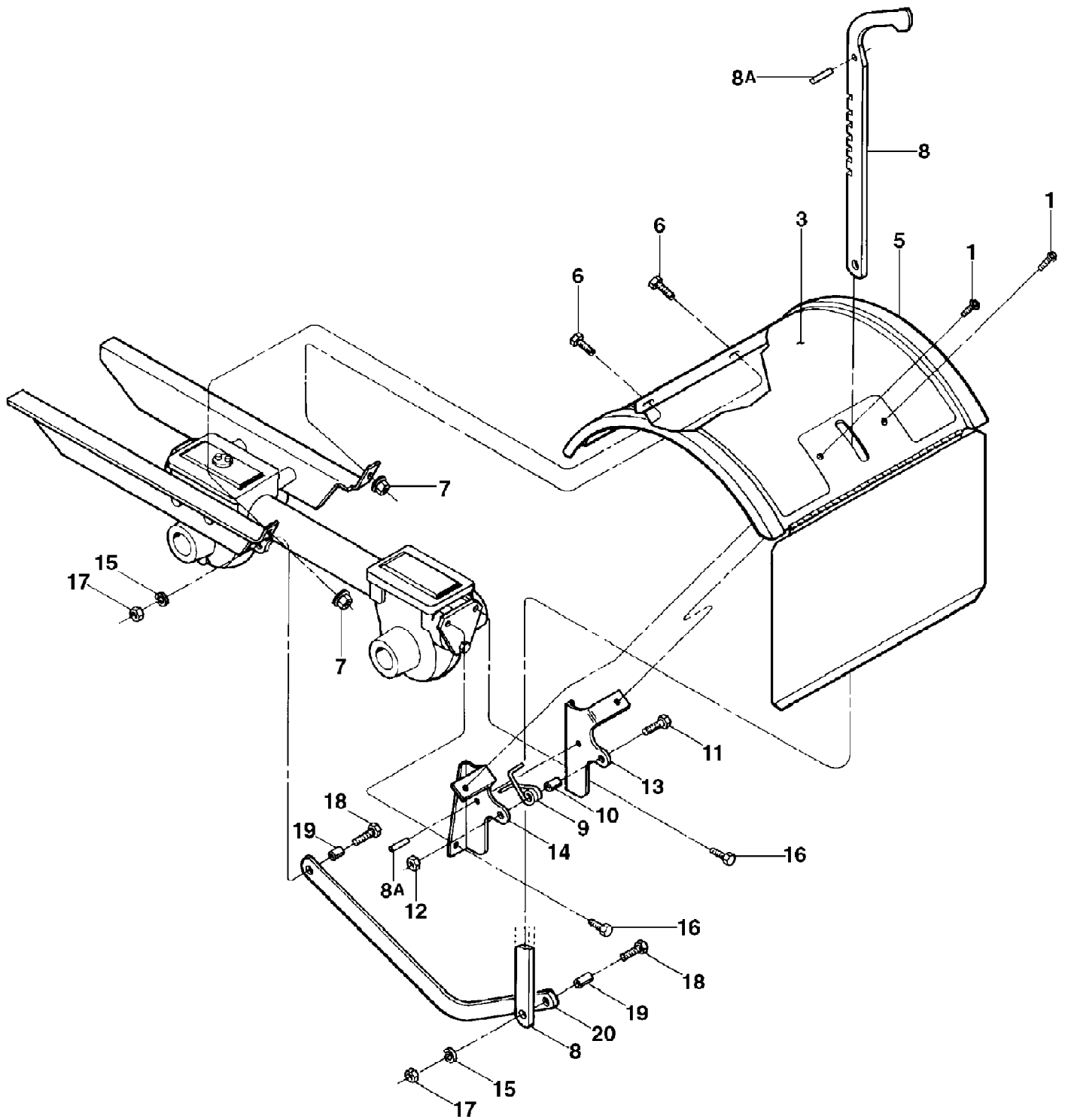


21A-630B063 3.75HP Roto-Tiller (2002)  
Drag Bar

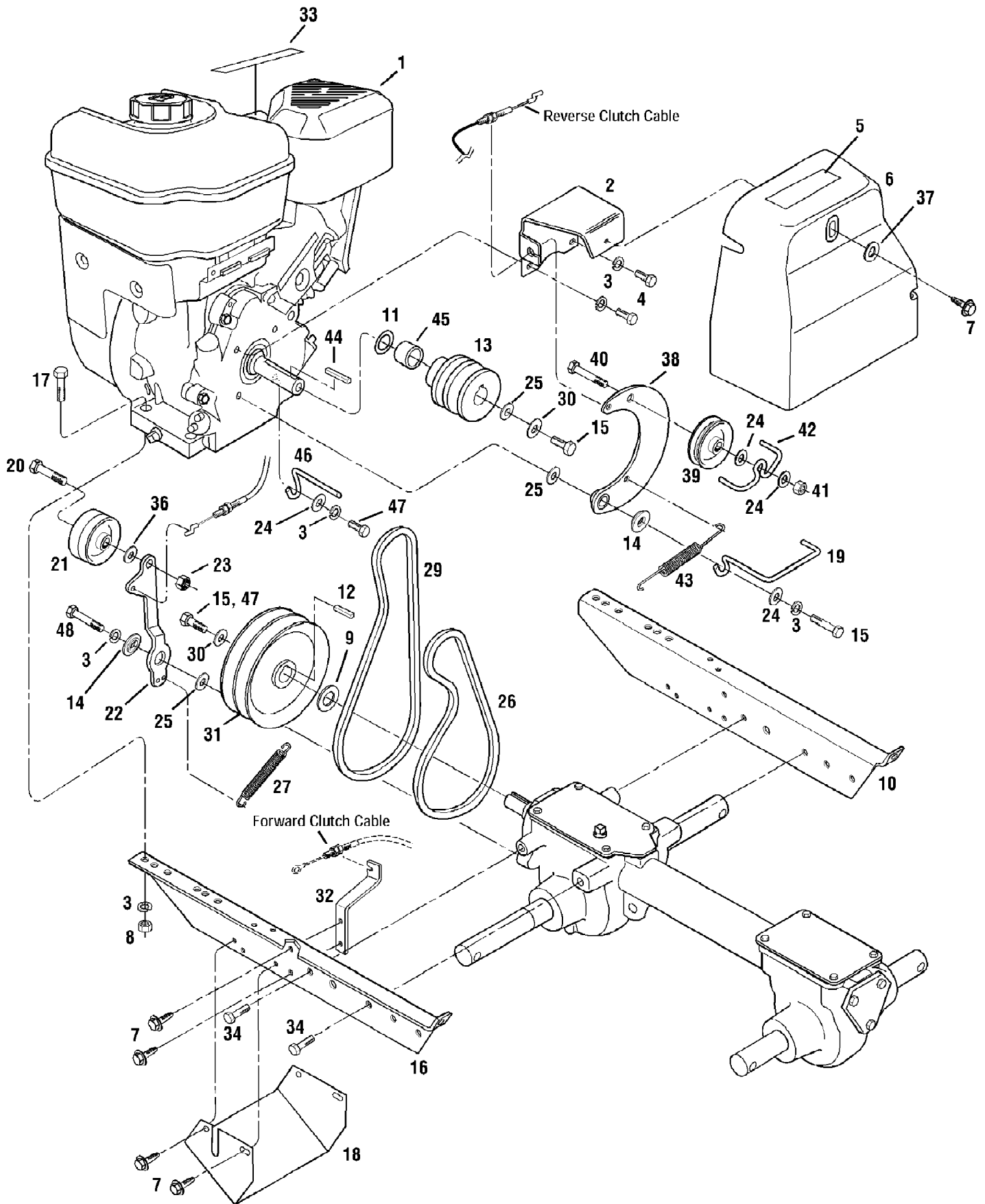


21A-630B063 3.75HP Roto-Tiller (2002)  
Drag Bar

Page 2 of 15

Ref #	Part Number	Qty	S/P/F	Description
1	710-0599	2	/P	Hex Hd. Flange Screw, Self-Tapping, 1/4-20 x 1/2
3	777S30649	1	/P	Decal, Hood
5	1904572	1	S	Tine Hood (Incl. tine flap and Ref. 3); (For Model 630B)
	1917594	1	S	Tine Hood (Incl. tine flap and Ref. 3); (For Model 634B and 634F)
6	710-3039	2	/P	Hex Hd. Screw, 5/16-18 x 1/2
7	712-3004A	2	/P	Hex Flange Lock Nut, 5/16-18
8	1916118001	1	S	Depth Regulator Lever
8A	1185469	2	S	Spirol Pin
9	GW-9384	1	S	Spring, Depth Regulator
10	GW-9534	1	/P	Spacer
11	710-0597	1	/P	Hex Hd. Screw, 1/4-20 x 1
12	712-0291	1	S	Hex Lock Nut, 1/4-20
13	1916119001	1	S	Hood Bracket, Right Hand
14	1916120001	1	S	Hood Bracket, Left Hand
15	736-0119	2	S	Lock washer, 5/16
16	1186331	2	S	Hex Hd. Flange Screw, 5/16-18 x 1
17	712-3009	2	S	Hex Nut, 5/16-18
18	710-0874	2	/P	Hex Hd. Screw, 5/16-18 x 1-1/4
19	GW-55088	2	/P	Bushing
20	1916121001	1	S	Drag Bar

21A-630B063 3.75HP Roto-Tiller (2002)  
Drive



21A-630B063 3.75HP Roto-Tiller (2002)  
Drive

Page 4 of 15

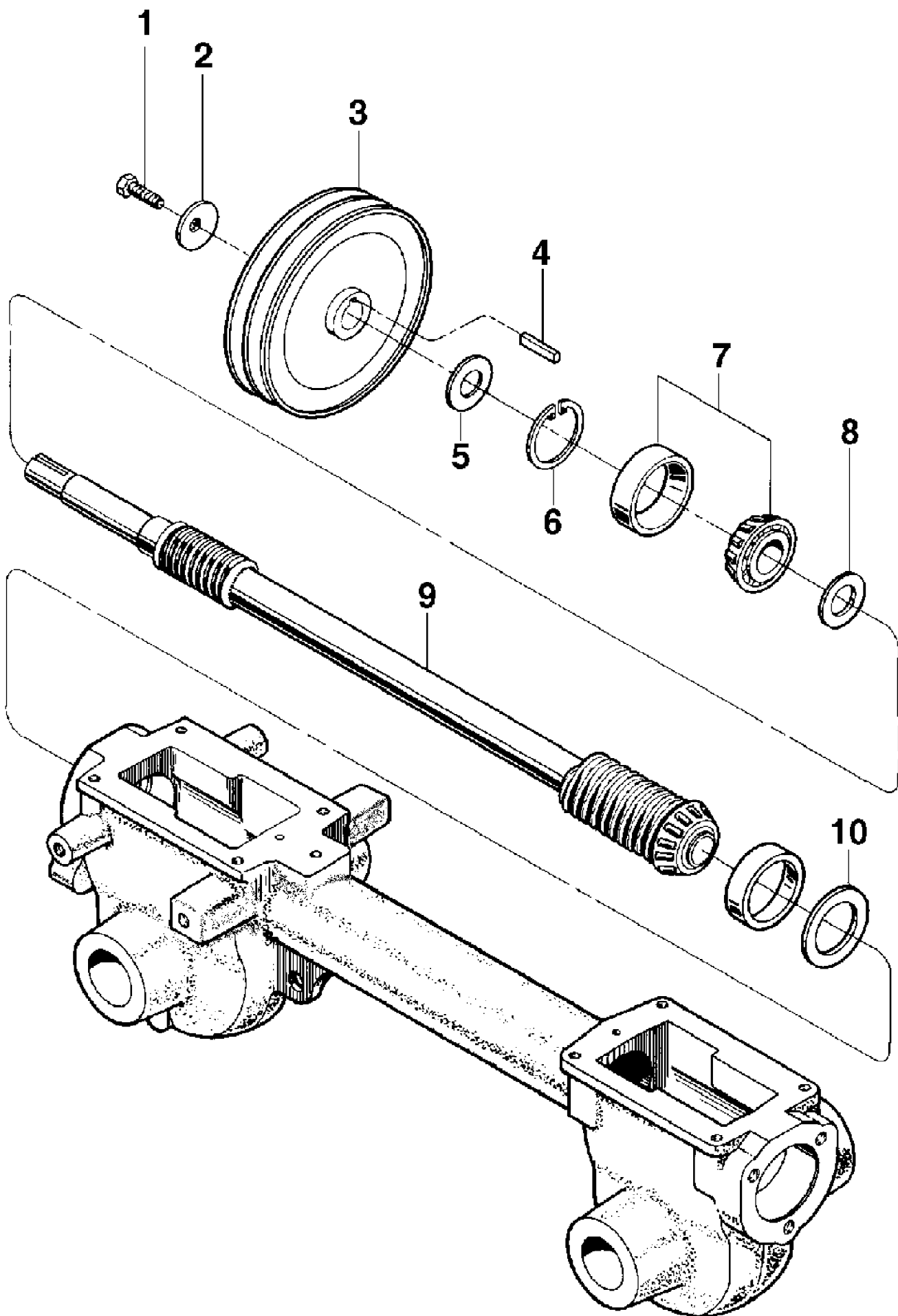
Ref #	Part Number	Qty	S/P/F	Description
1		1		Engine, Recoil Start Contact your local authorized engine service dealer for engine parts and service. Refer to your engine nameplate for engine model/type number.
2	1917326001	1	S	Bracket, Belt Cover
3	736-0119	8	S	Lock Washer, 5/16
		7		Lock Washer, 5/16 (For Model 634B and 634F)
4	710-0237	2	/P	Hex Hd. Screw, 5/16-24 x 5/8
5	777S30653	1		Decal, Hot Surfaces Warning
6	1917128	1	/P	Belt Cover (Incl. Ref. 5)
7	710-0599	7	/P	Hex Hd. Flange Screw, Self-Tapping, 1/4-20 x 1/2
8	712-3010	4	S	Hex Nut, 5/16-18
9	GW-50027	1	/P	Support Washer
10	1916795001	1	/P	Engine Bracket, Right
11	GW-1138-2	A/R	S	Shim
12	GW-9301	1	S	Key, 3/16" x 1"
13	GW-55035	1	/P	Pulley, Engine Drive (For Model 630B)
	1916531	1	S	Pulley, Engine Drive (For Model 634B and 634F)
14	1917746	2	S	Shoulder Washer
15	710-0117	3	S	Hex Hd. Screw, 5/16-24 x 1 (For Model 634B and 634F)
16	1916794001	1	S	Engine Bracket, Left
17	710-0805	4	/P	Hex Hd. Screw, 5/16-18 x 1-1/2
18	1916652001	1	S	Guard, Belts/Pulleys
19	1916726	1	/P	Forward Belt Guide (For Model 634B and 634F)
20	710-0520	1	/P	Hex Hd. Screw, 3/8-16 x 1-1/2
21	GW-9090	1	S	Forward Idler Pulley
22	1918744	1	S	Forward Idler Lever
23	712-3000	1	S	Lock Nut, 3/8-16
24	1107382	2	/P	Flat Washer
25	GW-9929	3	/P	Flat Washer
26	GW-55037	1	/P	Forward Drive Belt (For Model 630B)
	1916657	1	/P	Forward Drive Belt (For Model 634B and 634F)
27	GW-55034	1	S	Forward Return Spring
29	1916658	1	/P	Reverse Drive Belt (For Model 634B and 634F)
30	GW-9944	2	S	Belleville Washer
31	GW-55031	1	S	Transmission Pulley (For Model 630B)
	1916532	1	S	Transmission Pulley (For Model 634B and 634F)
32	1916117001	1	/P	Bracket, Cable Mounting
33	777I20943	1		Decal, Stabilization
34	1186328	4	S	Hex Hd. Screw, 5/16-18 x 5/8
?35	710-3008	1	/P	Hex Hd. Screw, 5/16-18 x 3/4

21A-630B063 3.75HP Roto-Tiller (2002)  
Drive

Page 5 of 15

Ref #	Part Number	Qty	S/P/F	Description
36	736-3050	1	/P	Flat Washer, 3/8
37	736-3090	1	/P	Flat Washer
38	1918731	1	S	Reverse Idler Arm (For Model 634B and 634F)
39	1916535	1	/P	Pulley, Reverse Idler (For Model 634B and 634F)
40	710-3103	1	/P	Hex Hd. Screw, 5/16-18 x 2 (For Model 634B and 634F)
41	712-3009	2	S	Lock Nut, 5/16-18 (For Model 634B and 634F)
42	1916725	1	S	Belt Guide (For Model 634B and 634F)
43	1916724	1	/P	Reverse Return Spring (For Model 634B and 634F)
44	914-0133	1	/P	Key, 3/16" x 1-1/2"
45	GW-55036	1	/P	Spacer (For Model 630B)
46	GW-55039	1	/P	Forward Belt Guide (For Model 630B)
47	710-0157	2	/P	Hex Hd. Screw, 5/16-24 x 3/4 (For Model 630B)
48	710-0376	1	/P	Hex Hd. Screw, 5/16-18 x 1

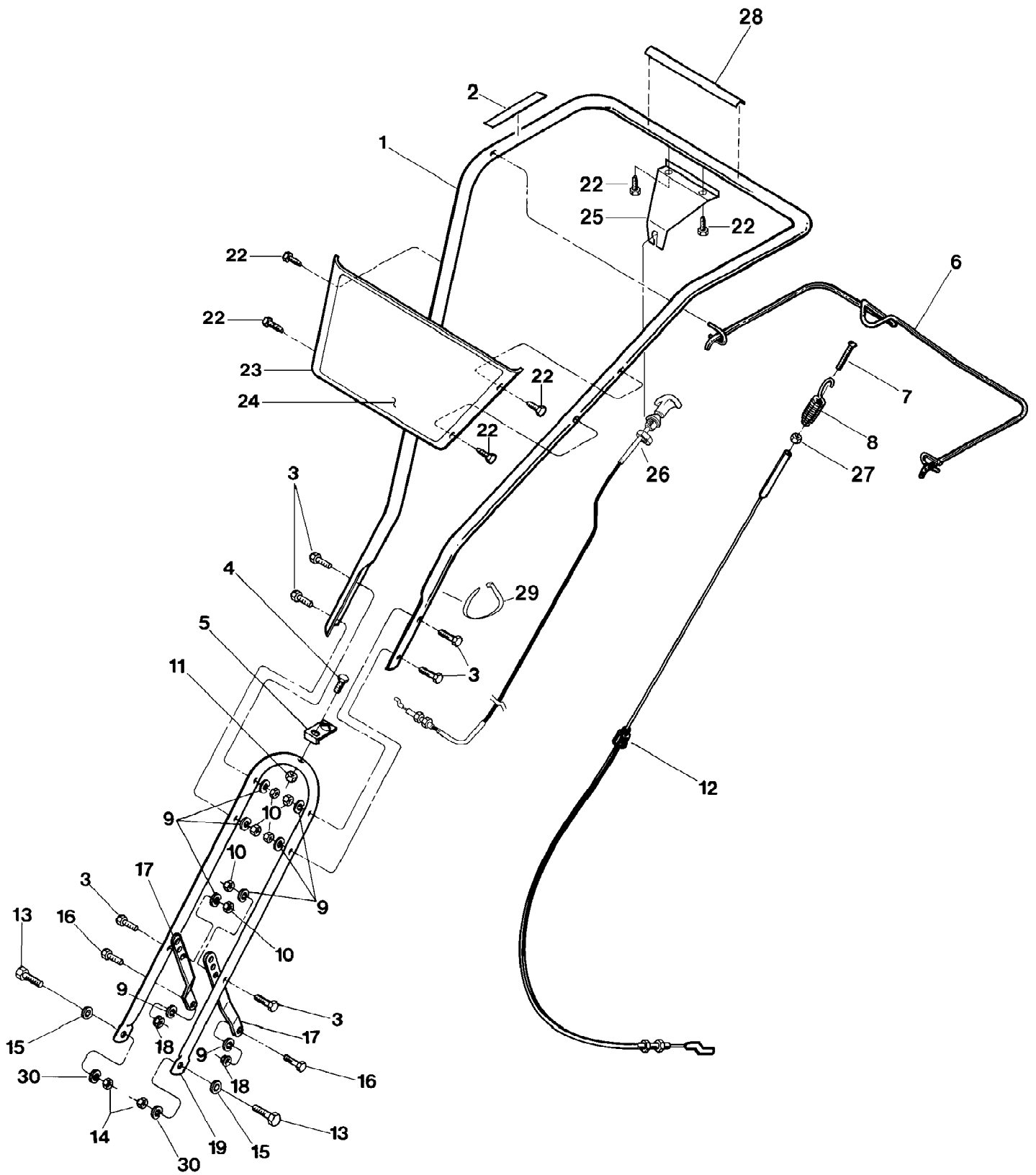
21A-630B063 3.75HP Roto-Tiller (2002)  
Drive Shaft



21A-630B063 3.75HP Roto-Tiller (2002)  
Drive Shaft

Page 7 of 15

Ref #	Part Number	Qty	S/P/F	Description
1	710-0157	1	/P	Hex Screw, 5/16-24 x 3/4, Grade 5 (For Model 630B)
	910-0888	1	S	Hex Screw, 5/16-24 x 1, Grade 5 (For Model 634B and 634F)
2	GW-9944	1	S	Belleville Washer
3	GW-55031	1	S	Transmission Pulley (For Model 630B)
	1916532	1	S	Transmission Pulley (For Model 634B and 634F)
4	GW-9301	1	S	Key, Transmission Pulley, 3/16 x 1
5	GW-50027	1	/P	Support Washer, Front
6	GW-9517	1	S	Snap Ring
7	941-0107	2	/P	Bearing, Tapered Roller (with race)
8	GW-50043	1	S	Support Washer, Rear
9	1904281	1	/P	Drive Shaft Ass'y
10	GW-1224-1	A/R	S	Shim, Rear Bearing Cap, .010" thick
	GW-1224-2	A/R	S	Shim, same as above, except .030" thick
	GW-1224-3	A/R	S	Shim, same as above, except .005" thick
	GW-1224-4	A/R	S	Shim, same as above, except .062" thick
	GW-1325C	A/R	/P	Shim Set (Incl. the following shims: two #1224-1, two 1224-2, one 1224-3, and one #1224-4)



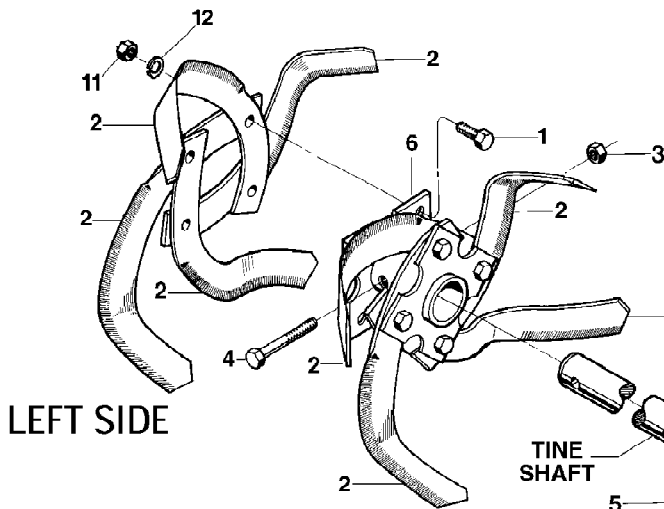
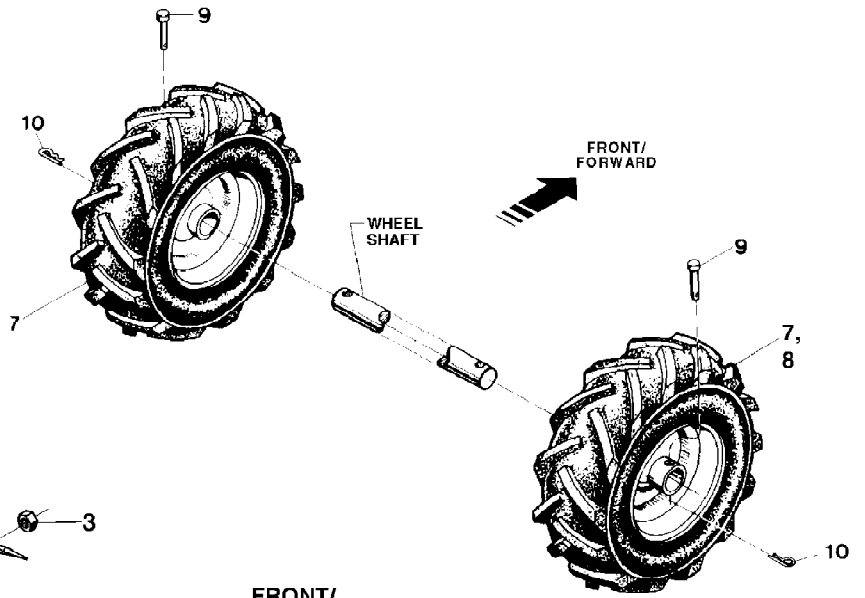


21A-630B063 3.75HP Roto-Tiller (2002)  
Handle

Page 9 of 15

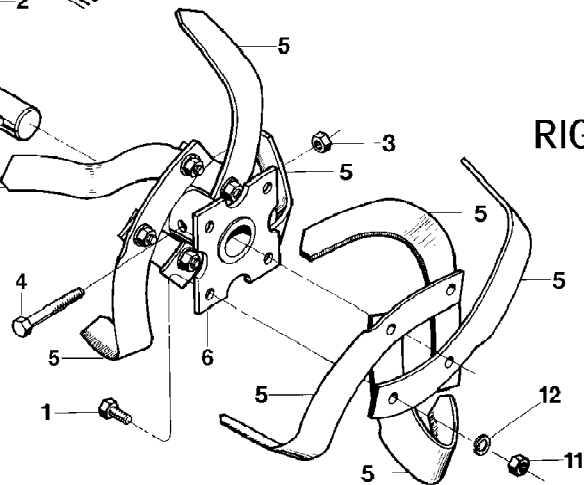
Ref #	Part Number	Qty	S/P/F	Description
1	GW-55104	1	S	Upper Handlebar (Incl. Ref. 2); (For Model 630B)
	1916996	1	S	Upper Handlebar (Incl. Refs. 2 & 28); (For Model 634B and 634F)
2	777I20937	1		Decal, Forward Clutch Bail
3	710-0805	6	/P	Hex Hd. Screw, 5/16-18 x 1-1/2
4	710-0106	1	/P	Hex Hd. Screw, 1/4-20 x 1-1/4
5	GW-55044	1	/P	Bracket, Forward Clutch Cable
6	1916106001	1	/P	Bail, Forward Clutch
7	GW-9855	1	S	Screw, #10-24 x 2
8	1916712	1	/P	Spring, Forward Clutch
9	736-0119	6	S	Lock Washer, 5/16
10	712-3010	6	S	Hex Nut, 5/16-18
11	712-0291	1	S	Hex Lock Nut, 1/4-20
12	1918745	1	S	Cable Assembly, Forward Clutch
13	710-0514	2	/P	Hex Hd. Screw, 3/8-16 x 3/4
14	712-3017	2	S	Hex Lock Nut, 3/8-16
15	736-3050	2	/P	Flat Washer, 3/8
16	710-0376	2	/P	Hex Hd. Screw, 5/16-18 x 3/4
17	GW-55042	2	S	Handlebar Support
18	712-3010	2	S	Hex Lock Nut, 5/16-18
19	GW-55043	1	S	Lower Handlebar
22	710-0599	4	/P	Hex Screw, 1/4-20 x 1/2, Self-Tap (For Model 630B)
	710-0599	6	/P	Hex Screw, 1/4-20 x 1/2, Self-Tap (For Model 634B and 634F)
23	1901273010	1		Panel
24	777D05556	1		Decal, Model Name/Logo (For Model 630B)
	777D05551	1		Decal, Model Name/Logo (For Model 634B)
	777D05555	1		Decal, Model Name/Logo (For Model 634F)
25	1916674001	1	S	Bracket, Reverse Clutch Cable (For Model 634B and 634F)
26	1916719	1	S	Cable Ass'y, Reverse Clutch (For Model 634B and 634F)
27	712-0121	1	S	Hex Nut, #10-24
28	777I20941	1		Decal, Reverse Drive Control (For Model 634B and 634F)
29	725-0157	1	/P	Cable Tie (For Model 634B and 634F)
30	736-0169	2	S	Lock Washer, 3/8

21A-630B063 3.75HP Roto-Tiller (2002)  
Tines & Wheels



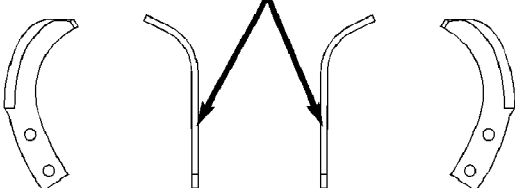
LEFT SIDE

TINE  
SHAFT



RIGHT SIDE

Hold Tine With Blunt End Toward You



Left Hand Tine

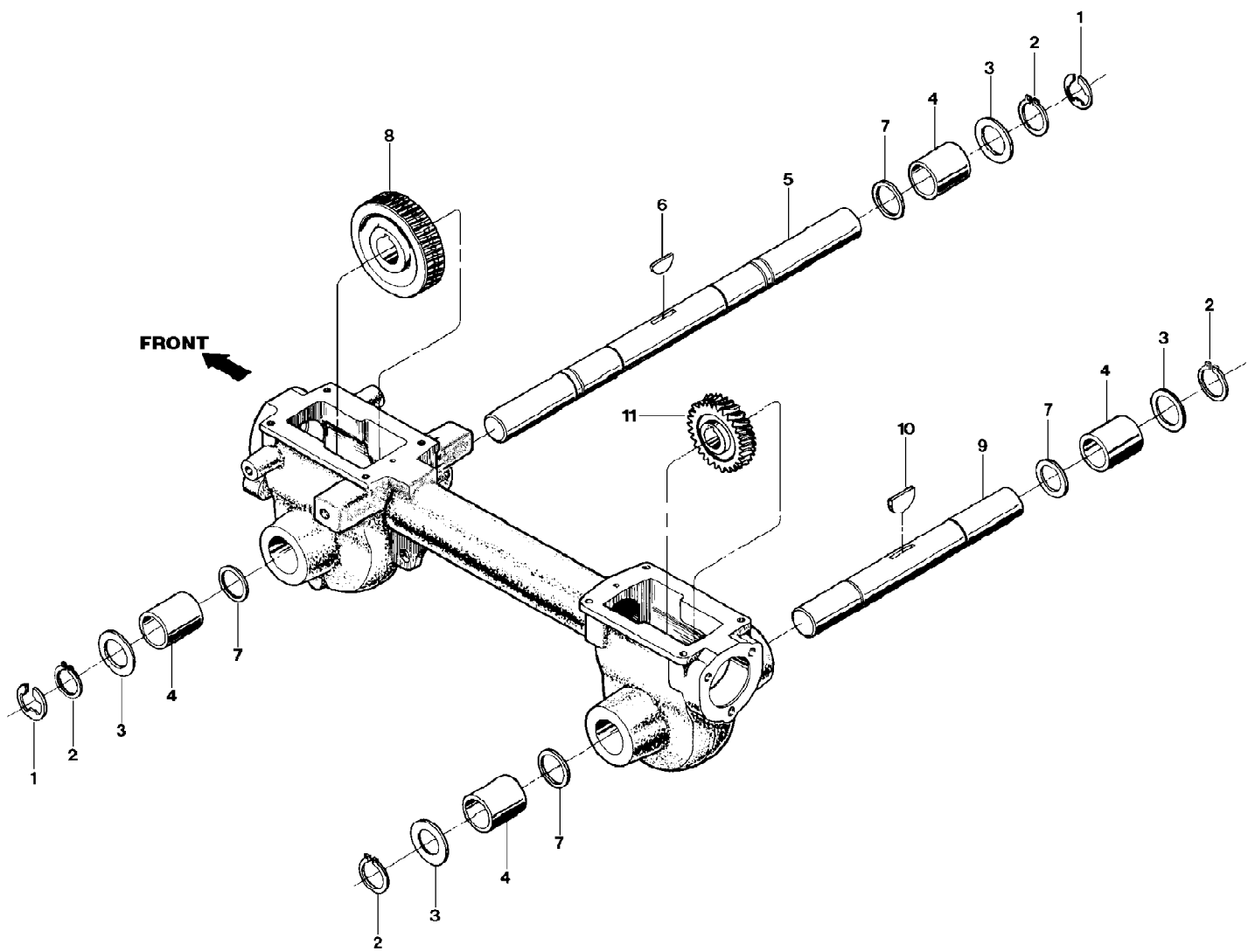
Right Hand Tine

NOTE: Identify Left and Right sides of tiller by standing in operator position and facing direction of forward travel.

21A-630B063 3.75HP Roto-Tiller (2002)  
Tines & Wheels

Page 11 of 15

Ref #	Part Number	Qty	S/P/F	Description
1	710-3005	16	/P	Hex Hd. Screw, 3/8-16 x 1-1/4, Grade 5
2	GW-50049-01	8	S	Bolo Tine - Right Hand. Single tine used on left side of tiller.
3	712-3000	2	S	Hex Lock Nut, 3/8-16
4	710-0347	2	/P	Hex Hd. Screw, 3/8-16 x 1-3/4
	GW-1901	1	/P	Bolo Tine Replacement Set (Incl. eight right hand tines, eight left hand tines and required hardware
5	GW-50049-02	8	S	Bolo Tine - Left Hand. Single tine used on right side of tiller.
6	1916747001	2	S	Tine Holder For Model 634F and 634B
	1915075001	2	S	Tine Holder For Model 630B
7	1917486	2	/P	Wheel & Tire Ass'y. For Model 634F
	1917487	2	S	Wheel & Tire Ass'y. For Model 634B
	GW-55095-01	1	S	Wheel & Tire Ass'y. - Left Side For Model 630B
8	GW-55095-02	1	S	Wheel & Tire Ass'y. - Right Side For Model 630B
9	GW-9380	2	S	Clevis Pin, .312" x 1-3/4"
10	GW-9338	2	S	Hair Pin Cotter
11	712-3017	16	S	Hex Nut, 3/8-16
12	736-0169	16	S	Lock Washer, 3/8

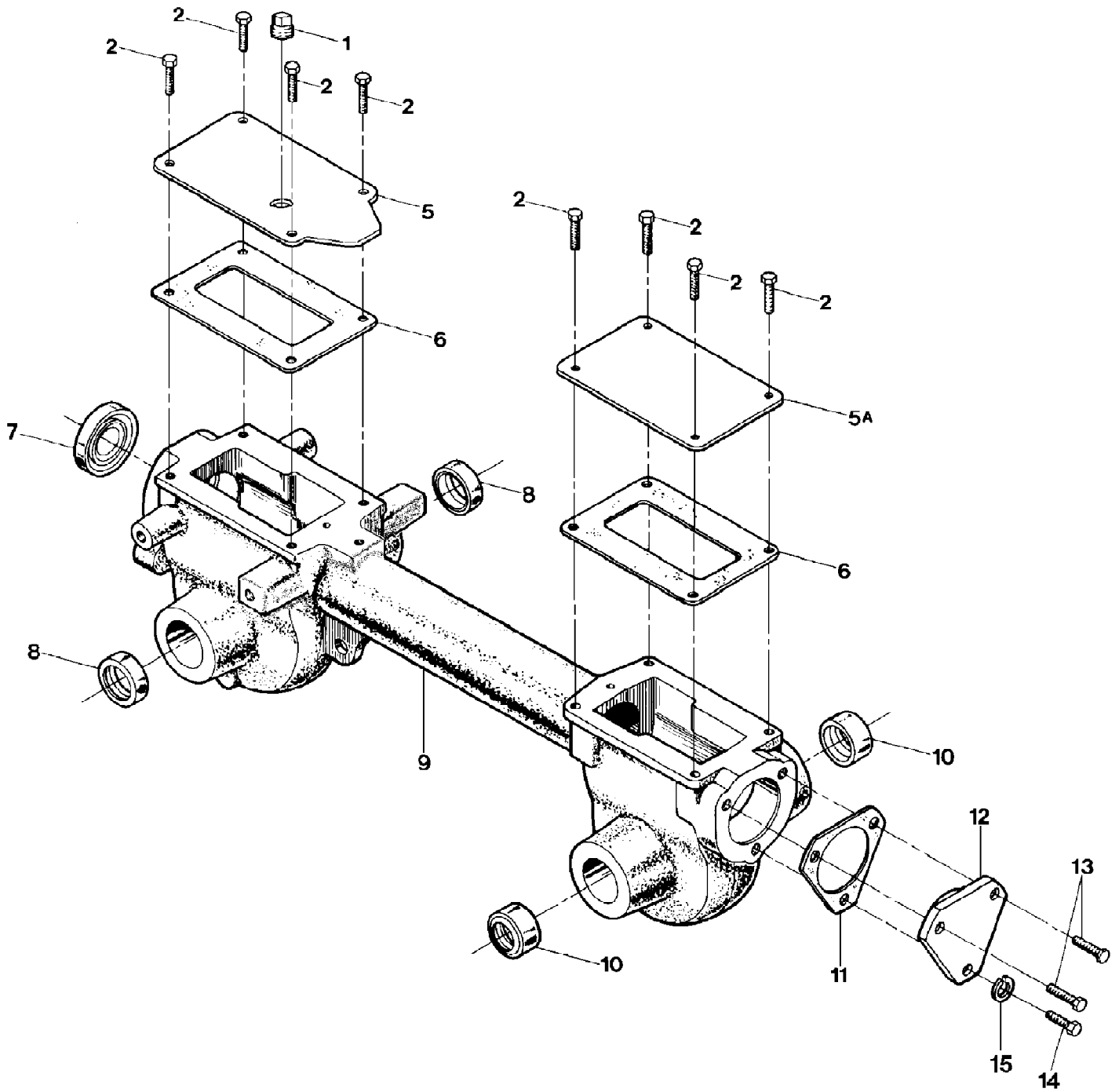


21A-630B063 3.75HP Roto-Tiller (2002)  
Transmission

Page 13 of 15

Ref #	Part Number	Qty	S/P/F	Description
1	GW-9512	2	/P	Retainer, Snap Ring, "E" Type
2	1909950	4	S	Retainer, Snap Ring
3	GW-1166-1	A/R	S	Shim, 0.062" thick
	GW-1166-2	A/R	/P	Shim, 0.030" thick
	GW-1166-3	A/R	/P	Shim, 0.015" thick
	GW-1166-4	A/R	S	Shim, 0.010" thick
	GW-1166-5	A/R	S	Shim, 0.005" thick
4	GW-1086	4	S	Bronze Bushing
5	GW-55004	1	S	Wheel Shaft (For Model 630B)
	1916741	1	S	Wheel Shaft (For Model 634B and 634F)
6	714-0134	1	S	Key, Hi-Pro, 1/4 x 1
7	GW-1132-2	4	/P	Spacer
8	1904278	1	S	Worm Gear, Wheel Shaft
9	1915074	1	S	Tiller Shaft
10	GW-1104	1	/P	Woodruff Key
11	1904279	1	S	Worm Gear, Tiller Shaft
	918-04000	1	S	Transmission complete Bronco
	918-04001	1	/P	Transmission complete Tuffy

21A-630B063 3.75HP Roto-Tiller (2002)  
Transmission Housing



21A-630B063 3.75HP Roto-Tiller (2002)  
Transmission Housing

Page 15 of 15

Ref #	Part Number	Qty	S/P/F	Description
1	GW-9727	1	S	Plug, Transmission Oil Fill
2	1186328	8	S	Hex Hd. Flange Screw, 5/16-18 x 5/8, Grade 5
5	1916641001	1	/P	Front Cover, Transmission
5A	1916109001	1	/P	Rear Cover, Transmission
6	GW-50032	2	S	Gasket, Housing Cover
7	GW-9617	1	S	Oil Seal, Drive Shaft
8	GW-9621	2	S	Oil Seal, Wheel Shaft
9	1916975001	1	S	Transmission Housing Ass'y
10	1909374	2	S	Oil Seal, Tine Shaft
11	GW-55011-1	1	/P	Bearing Cap Gasket, .010" thick
	GW-55011-2	1		Bearing Cap Gasket, .030" thick
12	GW-55010	1	S	Rear Bearing Cap
13	1186331	2	S	Hex Hd. Flange Screw, 5/16-18 x 1
14	710-3008	1	/P	Hex Hd. Flange Screw, 5/16-18 x 3/4
15	736-0119	1	S	Lock Washer, 5/16