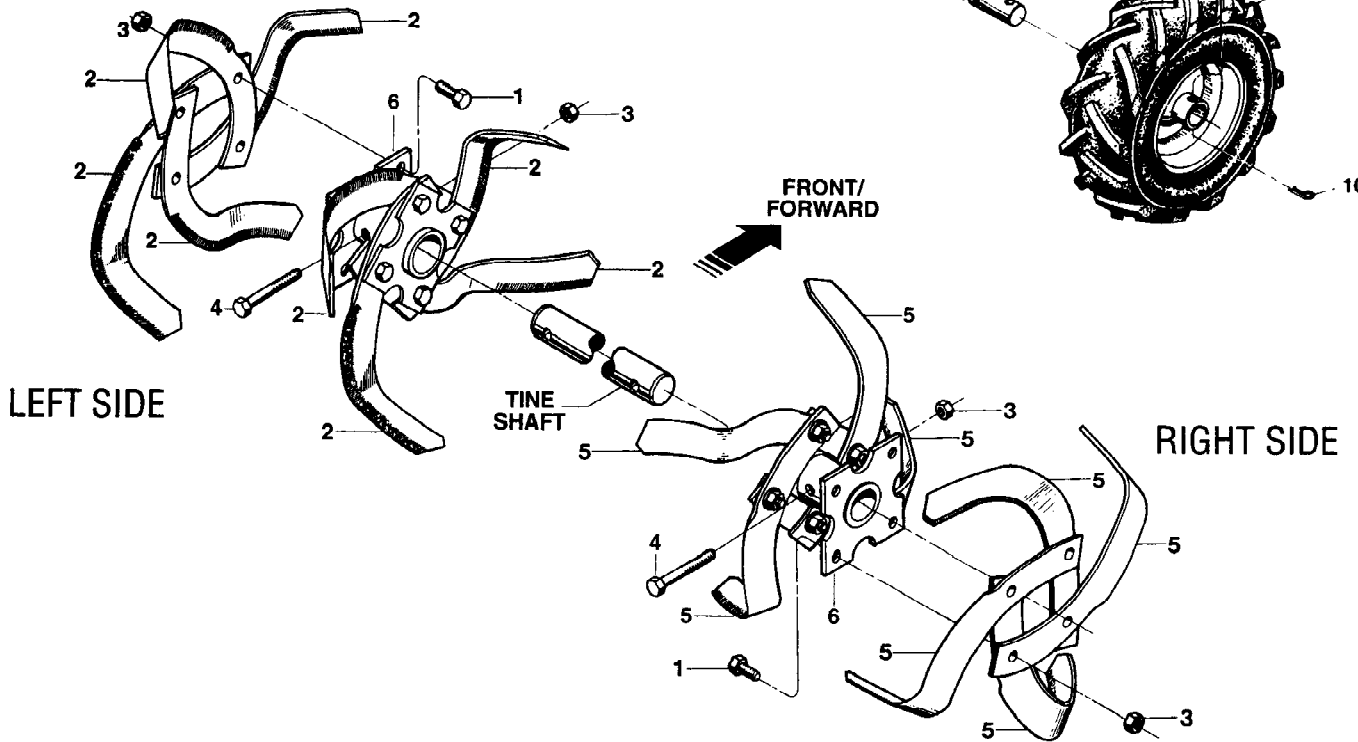
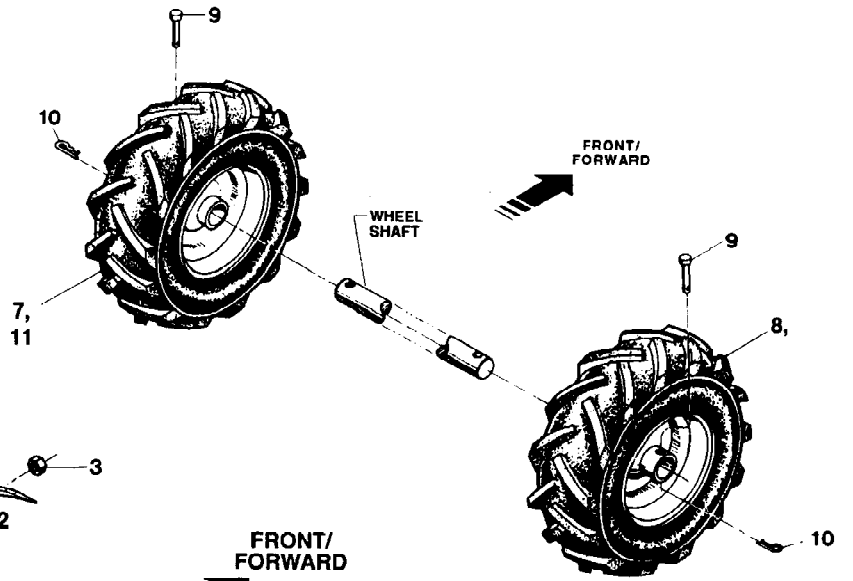
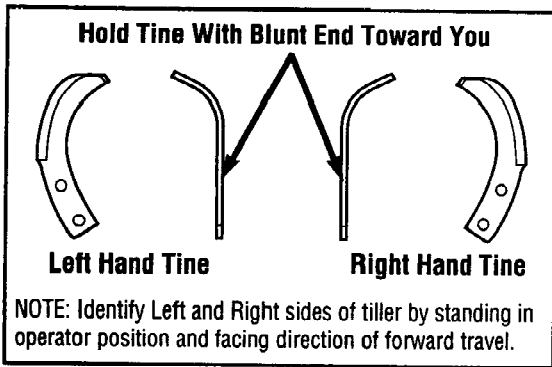


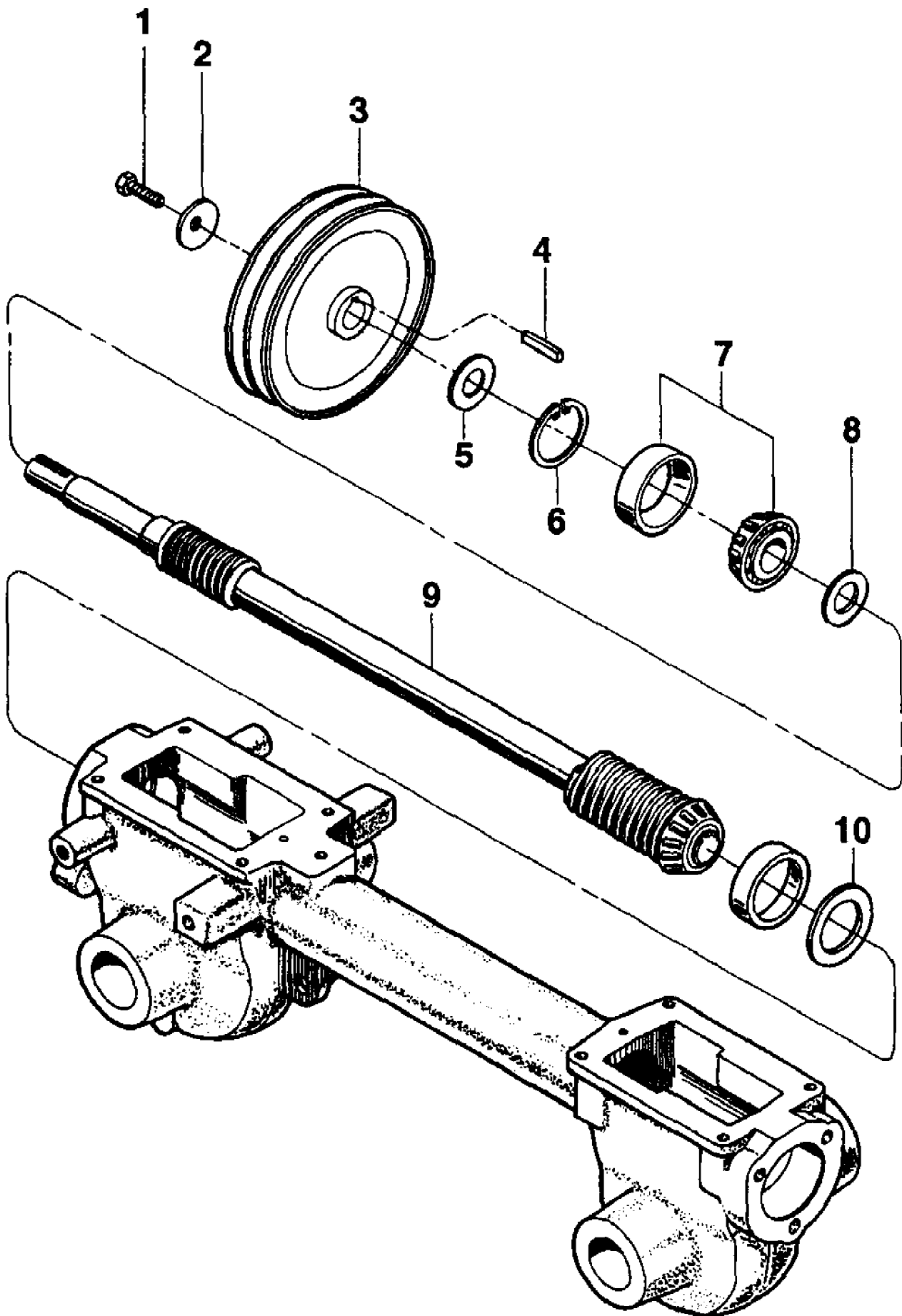
21A-511-081 Tuffy Tiller 12217
Bolo Tines And Wheels



21A-511-081 Tuffy Tiller 12217
Bolo Tines And Wheels

Page 2 of 16

| Ref # | Part Number | Qty | S/P/F | Description |
|-------|-------------|-----|-------|---|
| 1 | 9711 | 16 | | Hex Screw, 3/8-16 x 1, Grade 5 |
| 2 | 50049-01 | 8 | S | Bolo Tine - Right Hand Single tine used on left side of tiller. (Incl. two each Refs. 1 & 3) |
| 3 | 1733398 | 18 | S | Hex Locknut, 3/8-16 |
| 4 | 9555 | 2 | | Hex Screw, 3/8-16 x 1-3/4 |
| | 1901 | 1 | S | Bolo Tine Replacement Set (Incl. eight right hand tines, eight left hand tines and required hardware) |
| 5 | 50049-02 | 8 | S | Bolo Tine - Left Hand Single tine used on right side of tiller.(Incl. two each Refs. 1 & 3) |
| 6 | 1916747001 | 2 | S | Tine Holder For Model 12209 - S/N 122091100101-122091199999 |
| | 1915075001 | 2 | S | Tine Holder For Model 12217 - S/N 122171100101-122171199999 |
| 7 | 20918-01 | 1 | S | Wheel & Tire Assy-Left Side For Model 12209 - S/N 122091100101-122091199999 |
| | 55095-01 | 1 | S | Wheel & Tire Assy-Left Side For Model 12217 - S/N 122171100101-122171199999 |
| 8 | 20918-02 | 1 | S | Wheel & Tire Assy-Right Side For Model 12209 - S/N 122091100101-122091199999 |
| | 55095-02 | 1 | S | Wheel & Tire Assy-Right Side For Model 12217 - S/N 122171100101-122171199999 |
| 9 | 9380 | 2 | S | Clevis Pin, .312" x 1-3/4" |
| 10 | 9338 | 2 | S | Hair Pin Cotter |

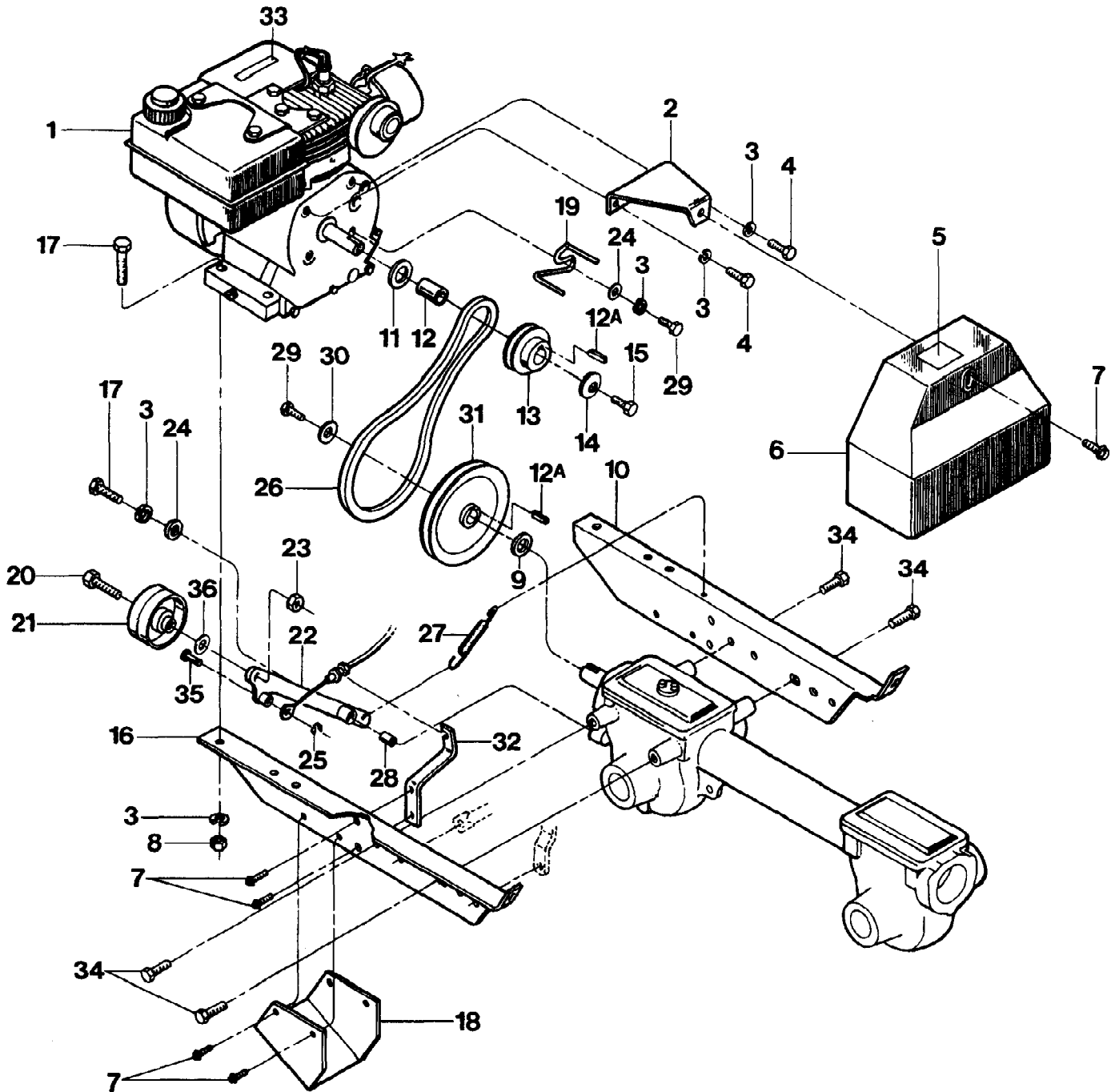


21A-511-081 Tuffy Tiller 12217
Drive Shaft Assembly

Page 4 of 16

| Ref # | Part Number | Qty | S/P/F | Description |
|-------|-------------|-----|-------|--|
| 1 | 1100004 | 1 | S | Hex Screw, 5/16-24 x 3/4, Grade 5 For Model 12217 |
| | 1100005 | 1 | | Hex Screw, 5/16-24 x 1, Grade 5 For Model 12209 |
| 2 | 9944 | 1 | S | Belleville Washer |
| 3 | 1916532 | 1 | S | Transmission Pulley For Model 12209 |
| | 55031 | 1 | S | Transmission Pulley For Model 12217 |
| 4 | 9301 | 1 | S | Key, Transmission Pulley, 3/16 x 1 |
| 5 | 50027 | 1 | S | Support Washer, Front |
| 6 | 9517 | 1 | S | Snap Ring |
| 7 | 1714 | 2 | S | Bearing, Tapered Roller (with race) |
| 8 | 50043 | 1 | S | Support Washer, Rear |
| 9 | 1904281 | 1 | /P | Drive Shaft Assy. |
| 10 | 1224-1 | A/R | S | Shim, Rear Bearing Cap, .010" thick As Required |
| | 1224-2 | A/R | S | Shim, same as above, except .030" thick As Required |
| | 1224-3 | A/R | S | Shim, same as above, except .005" thick As Required |
| | 1224-4 | A/R | S | Shim, same as above, except .062" thick As Required |
| | 1325C | A/R | S | Shim Set (Incl. the following shims: two #1224-1, two 1224-2, one 1224-3, and one #1224-4) |

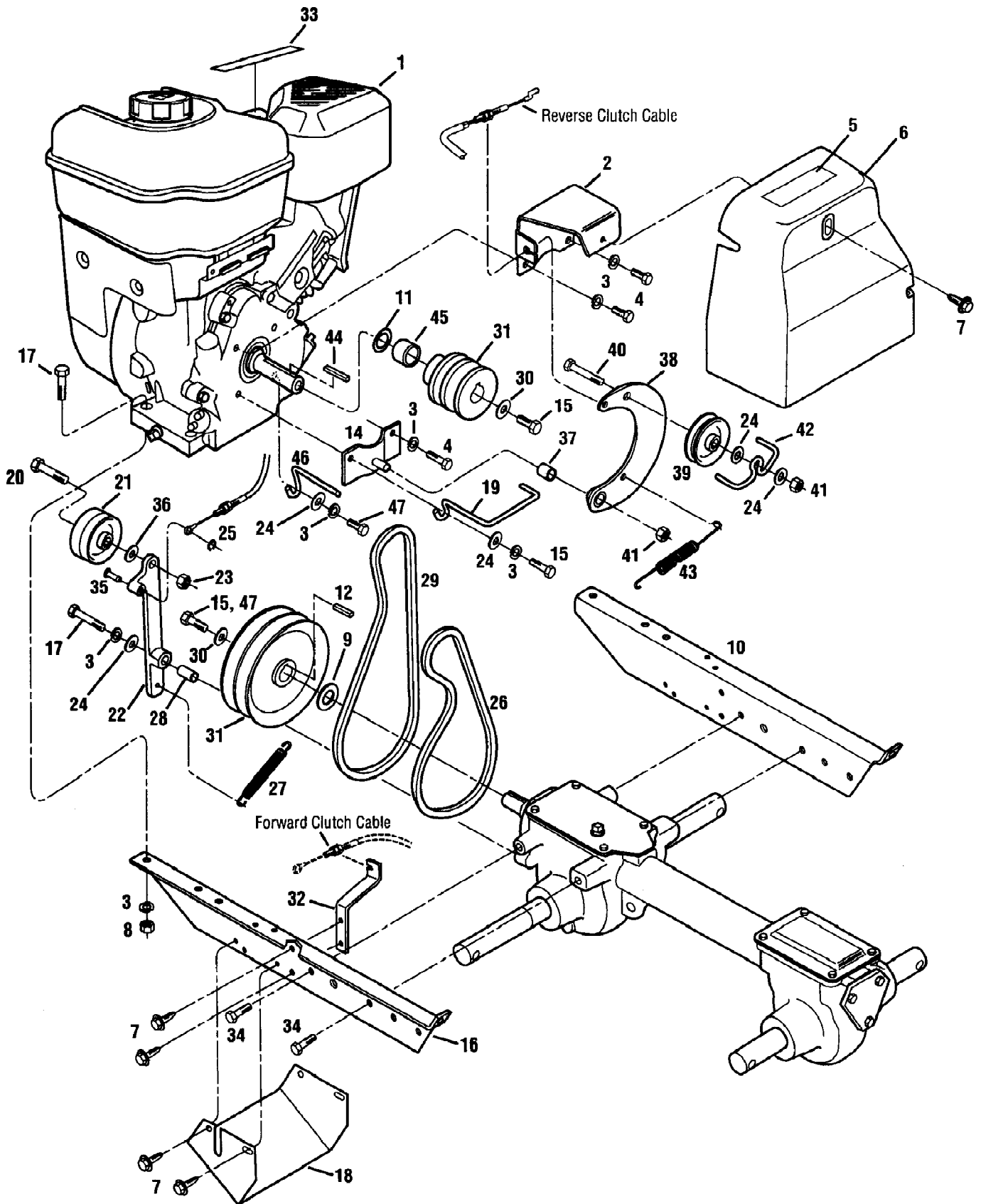
21A-511-081 Tuffy Tiller 12217
Engine, Engine Brackets And Belt Drive System



21A-511-081 Tuffy Tiller 12217
 Engine, Engine Brackets And Belt Drive System

Page 6 of 16

| Ref # | Part Number | Qty | S/P/F | Description |
|-------|-------------|-----|-------|---|
| 1 | | 1 | | Engine, Recoil Start Contact your local authorized engine service dealer for engine parts and service. Refer to your engine nameplate for engine model/type number. |
| 2 | 1916112001 | 1 | /P | Bracket, Belt Cover |
| 3 | 1100242 | 8 | S | Lockwasher, 5/16 |
| 4 | 1111696 | 2 | | Hex Hd. Screw, 5/16-24 x 1/2 |
| 5 | 1904549 | 1 | | Decal, Hot Surfaces Warning |
| 6 | 1904573 | 1 | | Belt Cover (Incl. Ref. 5) |
| 7 | 9552 | 7 | S | Flange Screw, Self-Tapping, 1/4-20 x 1/2 |
| 8 | 1186230 | 4 | S | Hex Nut, 5/16-18 |
| 9 | 50027 | 1 | S | Support Washer |
| 10 | 1916795001 | 1 | /P | Engine Bracket, Right |
| 11 | 1138-2 | A/R | S | Shim As Required |
| 12 | 55036 | 1 | S | Spacer |
| 12A | 9301 | 2 | S | Key, 3/16 x 1 |
| 13 | 55035 | 1 | S | Pulley, Engine Drive |
| 14 | 9925 | 1 | | Belleville Washer |
| 15 | 1100009 | 1 | S | Hex Hd. Screw, 3/8-24 x 1, Grade 5 |
| 16 | 1916794001 | 1 | S | Engine Bracket, Left |
| 17 | 1100799 | 5 | S | Hex Hd. Screw, 5/16-18 x 1-1/2, Grade 5 |
| 18 | 1916652001 | 1 | S | Guard, Belt/Pulley |
| 19 | 55039 | 1 | S | Belt Guide |
| 20 | 9558 | 1 | | Hex Hd. Screw, 3/8-16 x 1-1/2 |
| 21 | 9090 | 1 | S | Idler Pulley |
| 22 | 1916116001 | 1 | /P | Idler Lever |
| 23 | 1110108 | 1 | S | Locknut, 3/8-16 |
| 24 | 1107382 | 2 | /P | Flat Washer |
| 25 | 9386 | 1 | | Klip Ring |
| 26 | 55037 | 1 | S | V-Belt |
| 27 | 55034 | 1 | S | Return Spring |
| 28 | 55033 | 1 | | Bushing, Idler Lever |
| 29 | 1100004 | 2 | S | Hex Hd. Screw, 5/16-24 x 3/4, Grade 5 |
| 30 | 9944 | 1 | S | Belleville Washer, Belleville |
| 31 | 55031 | 1 | S | Transmission Pulley |
| 32 | 1916117001 | 1 | /P | Bracket, Cable Mount |
| 33 | 1900766 | 1 | | Decal, Stabilization |
| 34 | 1186328 | 4 | S | Hex Hd. Screw, 5/16-18 x 5/8 |
| 35 | 9856 | 1 | S | Clevis Pin |
| 36 | 1107383 | 1 | S | Flat Washer, 3/8 |



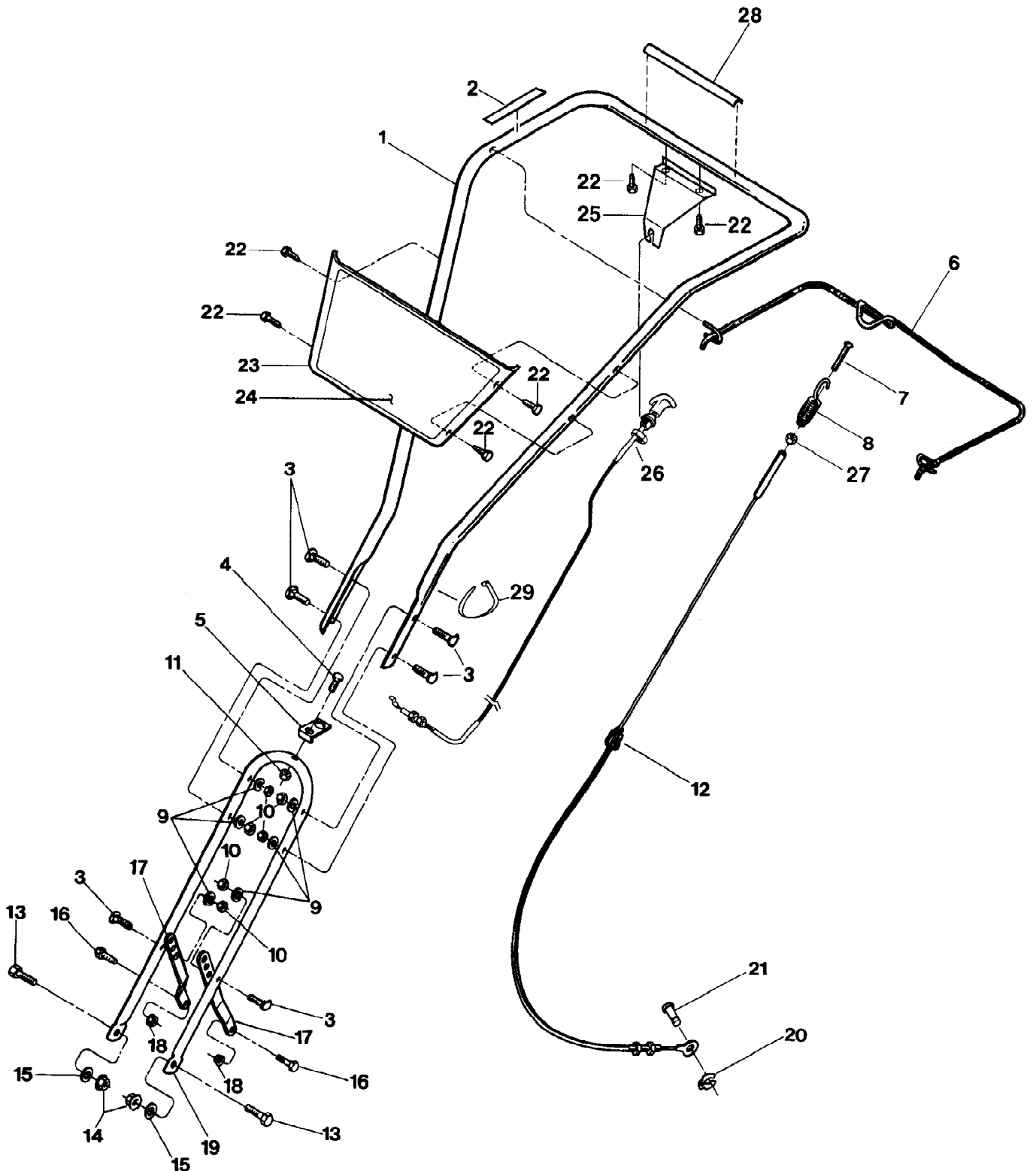
21A-511-081 Tuffy Tiller 12217
 Engine, Engine Brackets And Belt Drive Systems

Page 8 of 16

| Ref # | Part Number | Qty | S/P/F | Description |
|-------|-------------|-----|-------|---|
| 1 | | 1 | | Engine, Recoil Start Contact your local authorized engine service dealer for engine parts and service. Refer to your engine nameplate for engine model/type number. |
| 2 | 1917326001 | 1 | S | Bracket, Belt Cover |
| 3 | 1100242 | 9 | S | Lockwasher, 5/16 For Model 12209 |
| 4 | 1111696 | 3 | | Hex Hd. Screw, 5/16-24 x 1/2 For Model 12209 |
| 5 | 1904557 | 1 | | Decal, Hot Surfaces Warning |
| 6 | 1917128 | 1 | /P | Belt Cover (Incl. Ref. 5) |
| 7 | 9552 | 7 | S | Flange Screw, Self-Tapping, 1/4-20 x 1/2 |
| 8 | 1186230 | 4 | S | Hex Nut, 5/16-18 |
| 9 | 50027 | 1 | S | Support Washer |
| 10 | 1916795001 | 1 | /P | Engine Bracket, Right |
| 11 | 1138-2 | A/R | S | Shim As required |
| 12 | 9301 | 1 | S | Key, 3/16" x 1" |
| ?13 | 1916531 | 1 | S | Pulley, Engine Drive For Model 12209 |
| 14 | 1916559001 | 1 | | Reverse Idler Bracket For Model 12209 |
| 15 | 1100005 | 3 | | Hex Screw, 5/16-24 x 1 |
| 16 | 1916794001 | 1 | S | Engine Bracket, Left |
| 17 | 1100799 | 5 | S | Hex Screw, 5/16-18 x 1-1/2 |
| 18 | 1916652001 | 1 | S | Guard, Belts/Pulleys |
| 19 | 1916726 | 1 | /P | Forward Belt Guide For Model 12209 |
| 20 | 9558 | 1 | | Hex Screw, 3/8-16 x 1-1/2 |
| 21 | 9090 | 1 | S | Forward Idler Pulley |
| 22 | 1916116001 | 1 | /P | Forward Idler Lever |
| 23 | 1110108 | 1 | S | Locknut, 3/8-16 |
| 24 | 1107382 | 2 | /P | Flat Washer |
| 25 | 9386 | 1 | | Klip Ring |
| 26 | 1916657 | 1 | /P | Forward Drive Belt |
| 27 | 55034 | 1 | S | Forward Return Spring |
| 28 | 55033 | 1 | | Bushing, Forward Idler Lever |
| 29 | 1916658 | 1 | /P | Reverse Drive Belt For Model 12209 |
| 30 | 9944 | 1 | S | Belleville Washer |
| 31 | 1916532 | 1 | S | Transmission Pulley For Model 12209 |
| 32 | 1916117001 | 1 | /P | Bracket, Cable Mounting |
| 33 | 1900766 | 1 | | Decal, Stabilization |
| 34 | 1186328 | 4 | S | Hex Screw, 5/16-18 x 5/8 |
| 35 | 9856 | 1 | S | Clevis Pin |
| 36 | 1107383 | 1 | S | Flat Washer, 3/8 |
| 37 | 1916536 | 1 | | Bushing For Model 12209 |
| 38 | 1916578001 | 1 | | Reverse Idler Arm For Model 12209 |
| 39 | 1916535 | 1 | /P | Pulley, Reverse Idler For Model 12209 |
| 40 | 1111606 | 1 | | Hex Screw, 5/16-18 x 2 For Model 12209 |
| 41 | 1110107 | 2 | S | Locknut, 5/16-18 For Model 12209 |
| 42 | 1916725 | 1 | S | Belt Guide For Model 12209 |
| 43 | 1916724 | 1 | /P | Reverse Return Spring For Model 12209 |
| 44 | 1108841 | 1 | S | Key, 3/16 x 1-1/2 |

21A-511-081 Tuffy Tiller 12217

Handlebars, Clutch Cables And Handlebar Mounting Hardware

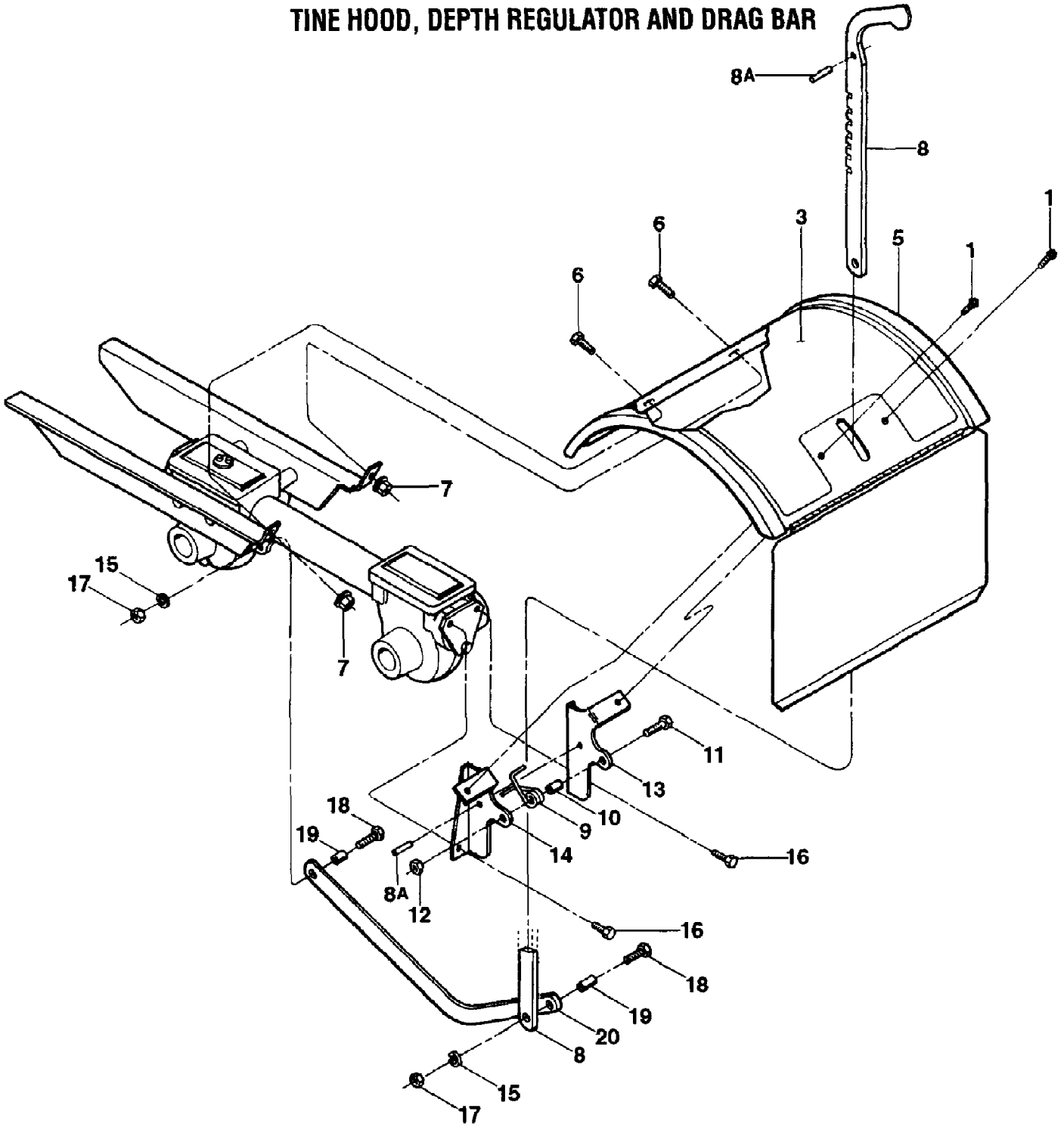


Handlebars, Clutch Cables And Handlebar Mounting Hardware

| Ref # | Part Number | Qty | S/P/F | Description |
|-------|-------------|-----|-------|---|
| 1 | 55104 | 1 | S | Upper Handlebar (Incl. Ref. 2); For Model 12217 |
| | 1916996 | 1 | S | Upper Handlebar (Incl. Refs. 2 & 28); For Model 12209 |
| 2 | 1916928 | 1 | | Decal, Forward Clutch Bail |
| 3 | 1100799 | 6 | S | Hex Hd. Screw, 5/16-18 x 1-1/2 |
| 4 | 1100806 | 1 | S | Hex Screw, 1/4-20 x 1-1/4 |
| 5 | 55044 | 1 | S | Bracket, Forward Clutch Cable |
| 6 | 1916106001 | 1 | /P | Bail, Forward Clutch |
| 7 | 9855 | 1 | S | Screw, #10-24 x 2 |
| 8 | 1916712 | 1 | /P | Spring, Forward Clutch |
| 9 | 1100242 | 6 | S | Lockwasher, 5/16 |
| 10 | 1186230 | 6 | S | Hex Locknut, 5/16-18 |
| 11 | 9811 | 1 | | Hex Locknut, 1/4-20 |
| 12 | 55048 | 1 | S | Cable Assy, Forward Clutch |
| 13 | 1100068 | 2 | S | Hex Screw, 3/8-16 x 3/4 |
| 14 | 9837 | 2 | S | Hex Locknut, 3/8-16 |
| 15 | 1107383 | 2 | S | Flat Washer, 3/8 |
| 16 | 1100044 | 2 | S | Hex Screw, 5/16-18 x 3/4 |
| 17 | 1916107001 | 2 | /P | Handlebar Support |
| 18 | 1110107 | 2 | S | Hex Locknut, 5/16-18 |
| 19 | 1916108001 | 1 | /P | Lower Handlebar |
| 20 | 9386 | 1 | | Klip Ring , |
| 21 | 9856 | 1 | S | Clevis Pin |
| 22 | 9552 | 6 | S | Hex Screw, 1/4-20 x 1/2, Self-Tap For Model 12209 |
| | 9552 | 4 | S | Hex Screw, 1/4-20 x 1/2, Self-Tap For Model 12217 |
| 23 | 1901273010 | 1 | | Panel |
| 24 | 1916818 | 1 | | Decal, Model Name/Logo For Model 12209 |
| | 55097 | 1 | | Decal, Model Name/Logo For Model 12217 |
| 25 | 1916674001 | 1 | S | Bracket, Reverse Clutch Cable For Model 12209 |
| 26 | 1916719 | 1 | S | Cable Assy, Reverse Clutch For Model 12209 |
| 27 | 1186227 | 1 | S | Hex Nut, #10-24 |
| 28 | 1916929 | 1 | S | Decal, Reverse Drive Control For Model 12209 |
| 29 | 1735531 | 1 | S | Cable Tie For Model 12209 |

21A-511-081 Tuffy Tiller 12217
Tine Hood, Depth Regulator And Drag Bar

TINE HOOD, DEPTH REGULATOR AND DRAG BAR



21A-511-081 Tuffy Tiller 12217
Tine Hood, Depth Regulator And Drag Bar

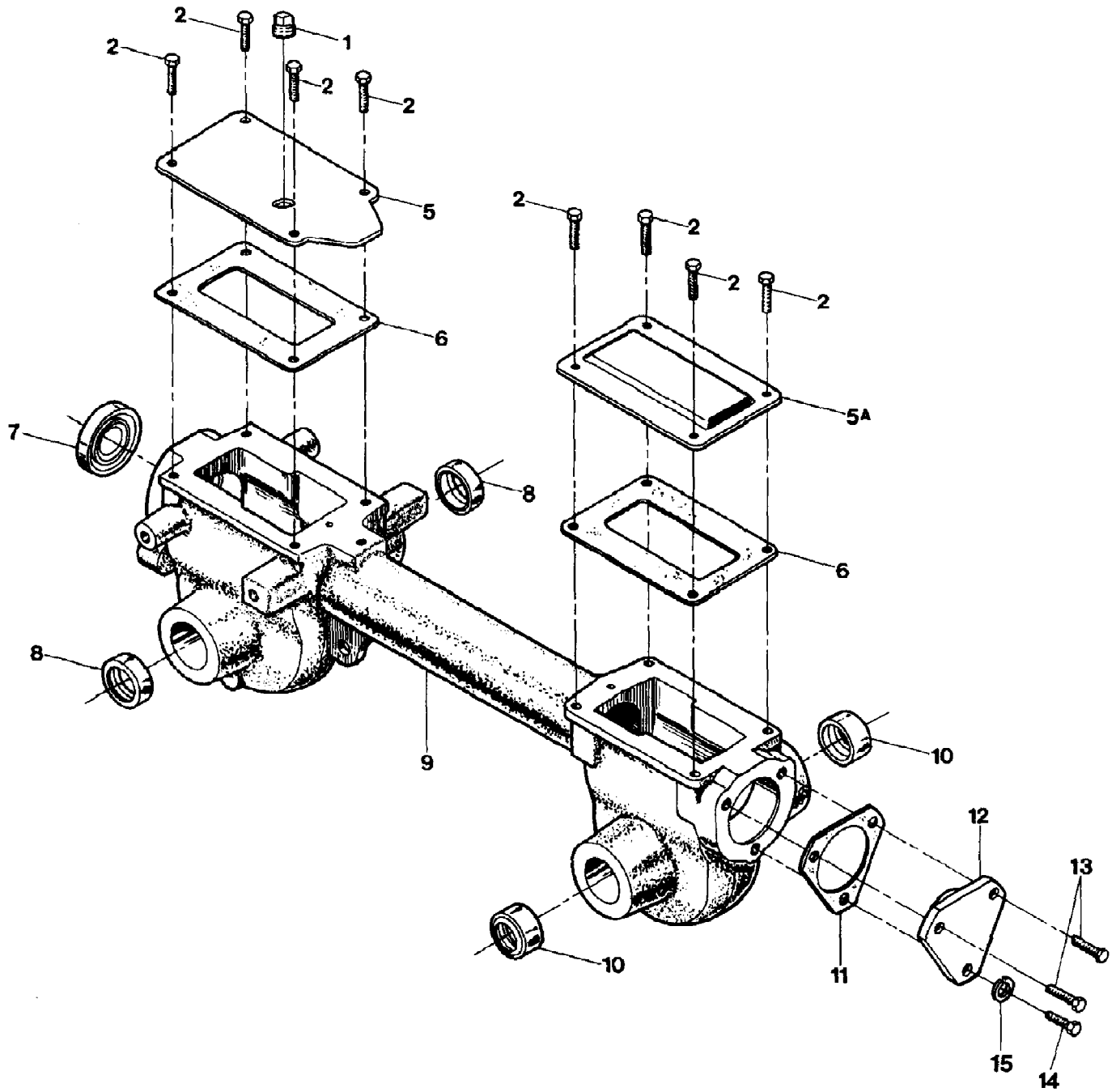
Page 12 of 16

| Ref # | Part Number | Qty | S/P/F | Description |
|-------|-------------|-----|-------|---|
| 1 | 9552 | 2 | S | Flange Screw, Self-Tapping, 1/4-20 x 1/2 |
| 3 | 1917536 | 1 | /P | Decal, Hood |
| 5 | 1917594 | 1 | S | Tine Hood (Incl. tine flap and Ref. 3); For Model 12209 |
| | 1904572 | 1 | S | Tine Hood (Incl. tine flap and Ref. 3); For Model 12217 |
| 6 | 1100088 | 2 | | Hex Screw, 5/16-18 x 1/2 |
| 7 | 1186391 | 2 | S | Flange Lock Nut, 5/16-18 |
| 8 | 1916118001 | 1 | S | Depth Regulator Lever |
| 8A | 9308 | 2 | S | Spirol Pin |
| 9 | 9384 | 1 | S | Spring, Depth Regulator |
| 10 | 9534 | 1 | S | Spacer |
| 11 | 1100069 | 1 | S | Hex Screw, 1/4-20 x 1 |
| 12 | 9811 | 1 | | Locknut, 1/4-20 |
| 13 | 1916119001 | 1 | S | Hood Bracket, Right Hand |
| 14 | 1916120001 | 1 | S | Hood Bracket, Left Hand |
| 15 | 11000242 | 2 | | Lockwasher, 5/16 |
| 16 | 1186331 | 2 | S | Flange Screw, 5/16-18 x 1 |
| 17 | 1186230 | 2 | S | Hex Nut, 5/16-18 |
| 18 | 1100808 | 2 | | Hex Hd. Screw, 5/16-18 x 1-1/4 |
| 19 | 55088 | 2 | S | Bushing |
| 20 | 1916121001 | 1 | S | Drag Bar |

21A-511-081 Tuffy Tiller 12217

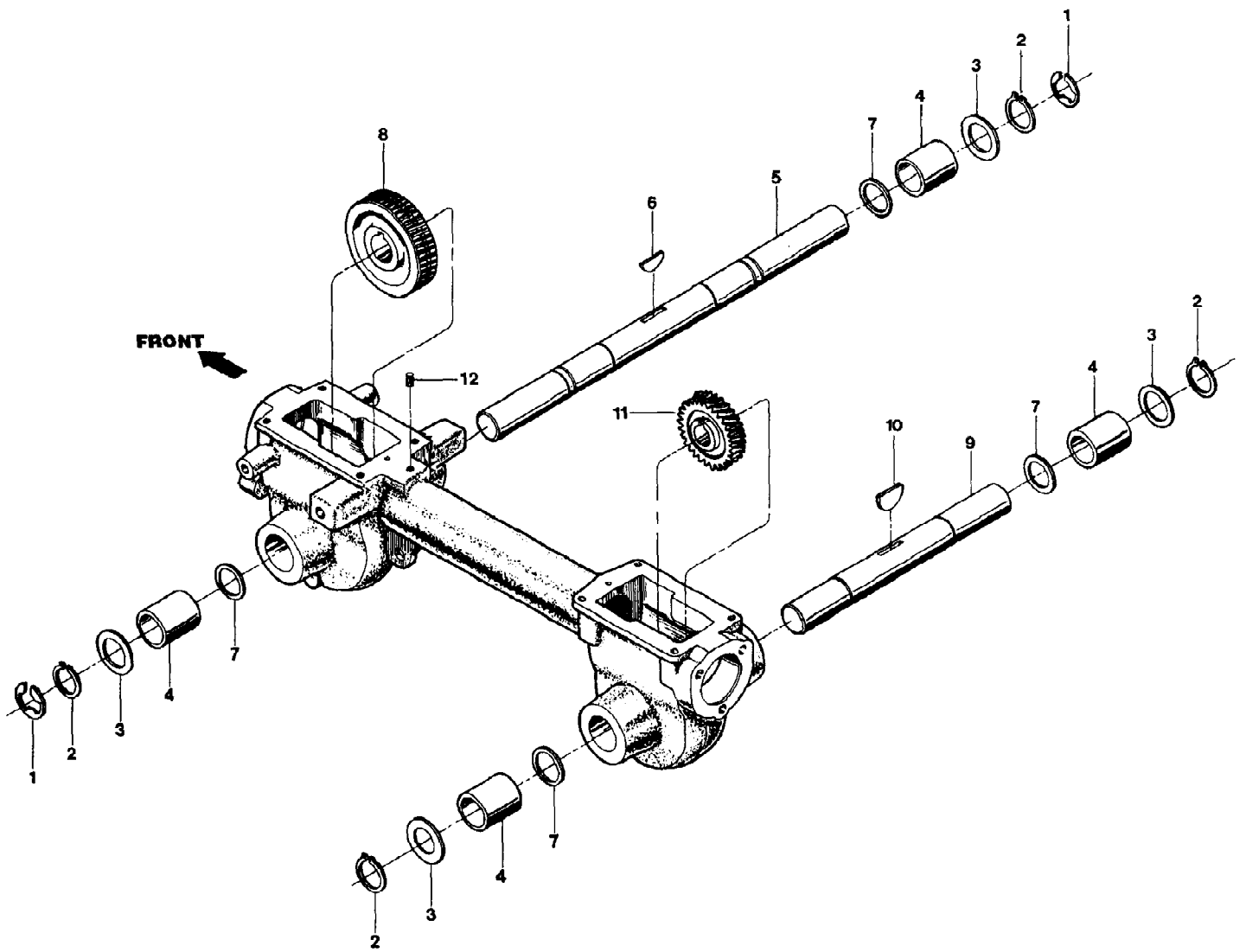
Page 13 of 16

Transmission Housing, Covers, Seals, Gaskets And Plug



Transmission Housing, Covers, Seals, Gaskets And Plug

| Ref # | Part Number | Qty | S/P/F | Description |
|-------|-------------|-----|-------|--------------------------------------|
| 1 | 9727 | 1 | S | Plug, Transmission Oil Fill |
| 2 | 1186328 | 8 | S | Flange Screw, 5/16-18 x 5/8, Grade 5 |
| 5 | 1916641001 | 1 | /P | Front Cover, Transmission |
| 5A | 50074 | 1 | S | Rear Cover, Transmission |
| 6 | 50032 | 2 | S | Gasket, Housing Cover |
| 7 | 9617 | 1 | S | Oil Seal, Drive Shaft |
| 8 | 9621 | 2 | S | Oil Seal, Wheel Shaft |
| 9 | 1915084010 | 1 | S | Transmission Housing Assy. |
| 10 | 1909374 | 2 | S | Oil Seal, Tine Shaft |
| 11 | 55011-1 | 1 | S | Bearing Cap Gasket, .010" thick |
| | 55011-2 | 1 | | Bearing Cap Gasket, .030" thick |
| 12 | 1916111001 | 1 | S | Rear Bearing Cap |
| 13 | 1186331 | 2 | S | Flange Screw, 5/16-18 x 1 |
| 14 | 1100044 | 1 | S | Flange Screw, 5/16-18 x 3/4 |
| 15 | 1100242 | 1 | S | Lockwasher, 5/16 |



21A-511-081 Tuffy Tiller 12217
Wheel And Tiller Shaft Assemblies

Page 16 of 16

| Ref # | Part Number | Qty | S/P/F | Description |
|-------|-------------|-----|-------|--------------------------------|
| 1 | 9512 | 2 | S | Retainer, Snap Ring, "E" Type |
| 2 | 9511 | 4 | S | Retainer, Snap Ring |
| 3 | 1166-1 | A/R | S | Shim, 0.062" thick As Required |
| | 1166-2 | A/R | S | Shim, 0.030" thick As Required |
| | 1166-3 | A/R | S | Shim, 0.015" thick As Required |
| | 1166-4 | A/R | S | Shim, 0.010" thick As Required |
| | 1166-5 | A/R | S | Shim, 0.005" thick As Required |
| 4 | 1086 | 4 | S | Bronze Bushing |
| 5 | 1916741 | 1 | S | Wheel Shaft For Model 12209 |
| | 55004 | 1 | S | Wheel Shaft For Model 12217 |
| 6 | 9305 | 1 | S | Key, Hi Pro, 1/4 x 1 |
| 7 | 1132-2 | 4 | S | Spacer |
| 8 | 1904278 | 1 | S | Worm Gear, Wheel Shaft |
| 9 | 1915074 | 1 | S | Tiller Shaft |
| 10 | 1104 | 1 | S | Woodruff Key |
| 11 | 1904279 | 1 | S | Worm Gear, Tiller Shaft |
| 12 | | 1 | | UNKNOWN |