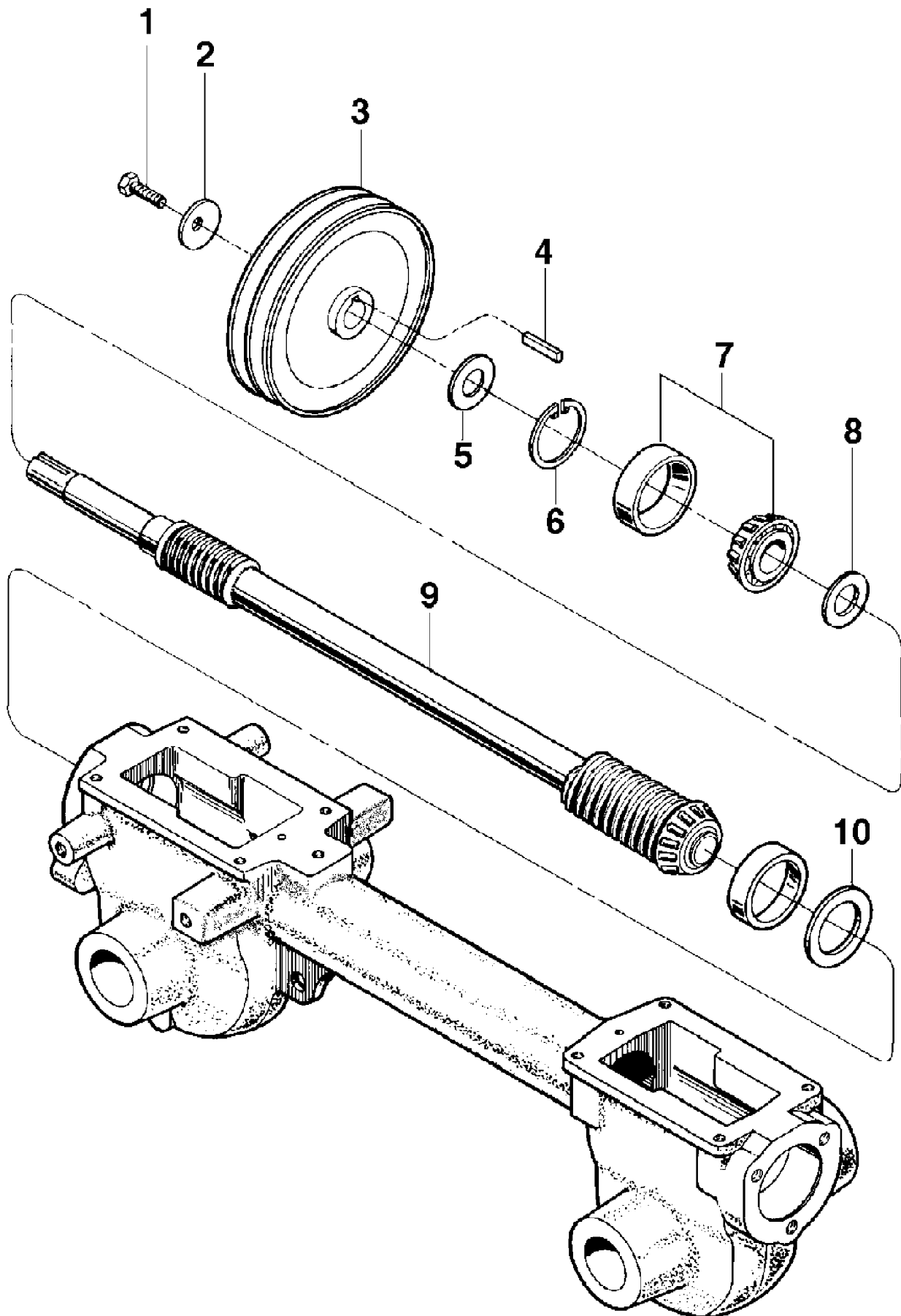


12190 3HP Roto-Tiller (S/N 121901100101-121901199999)  
Drive Shaft Assembly

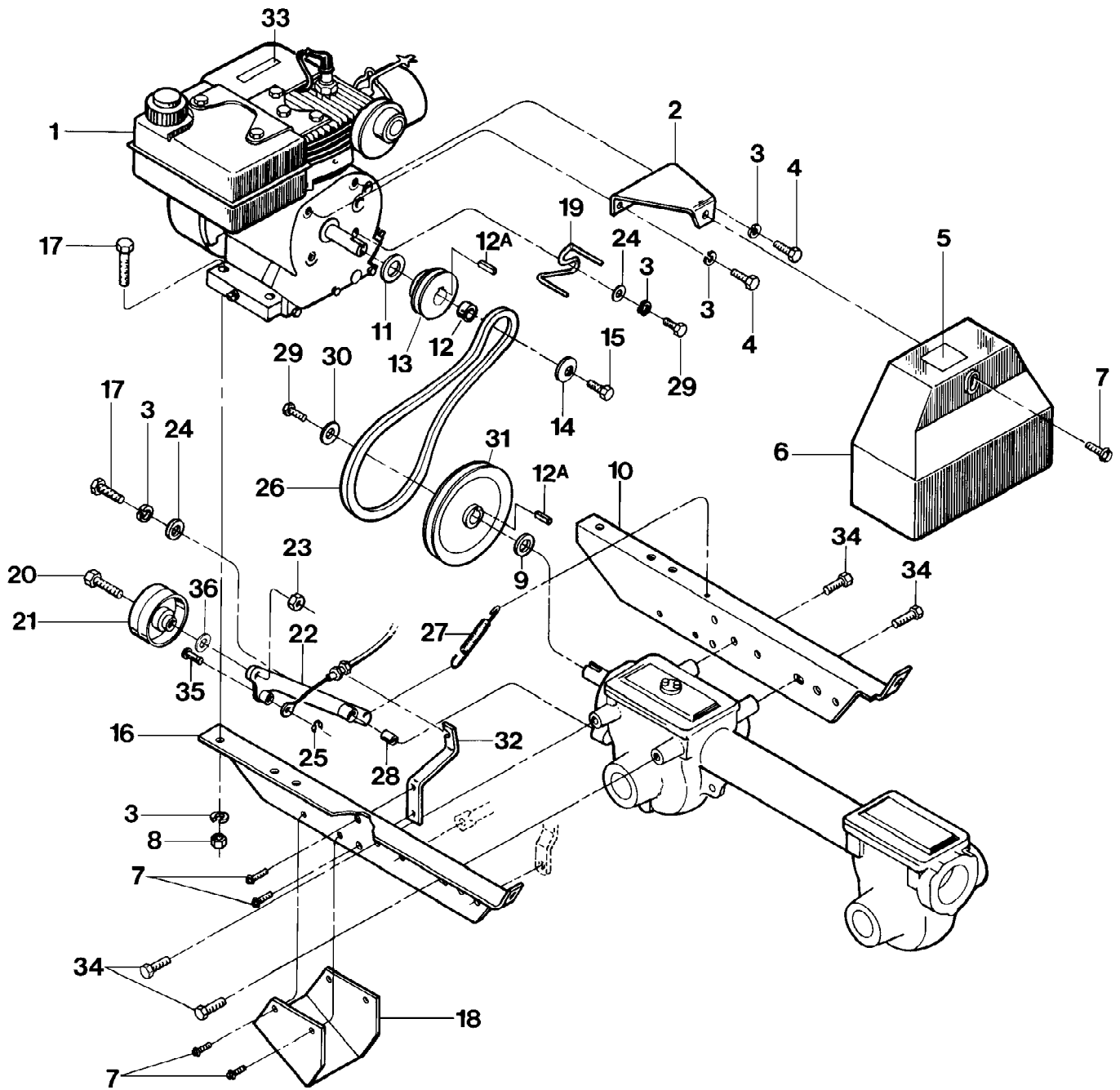


12190 3HP Roto-Tiller (S/N 121901100101-121901199999)  
Drive Shaft Assembly

Page 2 of 16

Ref #	Part Number	Qty	S/P/F	Description
1	1100004	1	S	Hex Screw, 5/16-24 x 3/4 Grade 5 Model 12190 - 3HP
1	1100005	1		Hex Screw, 5/16-24 x 1 Grade 5 Model 12191 - 5HP, Model 12193 - 6.5HP
2	9944	1	S	Washer, Belleville
3	1911321	1	/P	Single Groove Pulley, Transmission Model 12190 - 3HP
3	1916532	1	S	Double Groove Pulley, Transmission Model 12191 - 5HP, Model 12193 - 6.5HP
4	9301	1	S	Key - Transmission Pulley, 3/16 x 1
5	50027	1	S	Support Washer, Front
6	9517	1	S	Snap Ring
7	1714	2	S	Bearing, Tapered Roller (with race)
8	50043	1	S	Support Washer, Rear
9	1916936	1	/P	Drive Shaft Assembly
10	1224-1	A/R	S	Shim, Rear Bearing Cap, .010 thick As Required
	1224-2	A/R	S	Shim, Same as above except .030 thick As Required
	1224-3	A/R	S	Shim, Same as above except .005 thick As Required
	1224-4	A/R	S	Shim, Same as above except .062 thick As Required
	1325C	A/R	S	Shim Set- As Required; Includes the following shims: two #1224-1, two 1224-2, one 1224-3, and one #1224-4

12190 3HP Roto-Tiller (S/N 121901100101-121901199999)  
Engine, Engine Brackets, And Forward Drive Mechanism

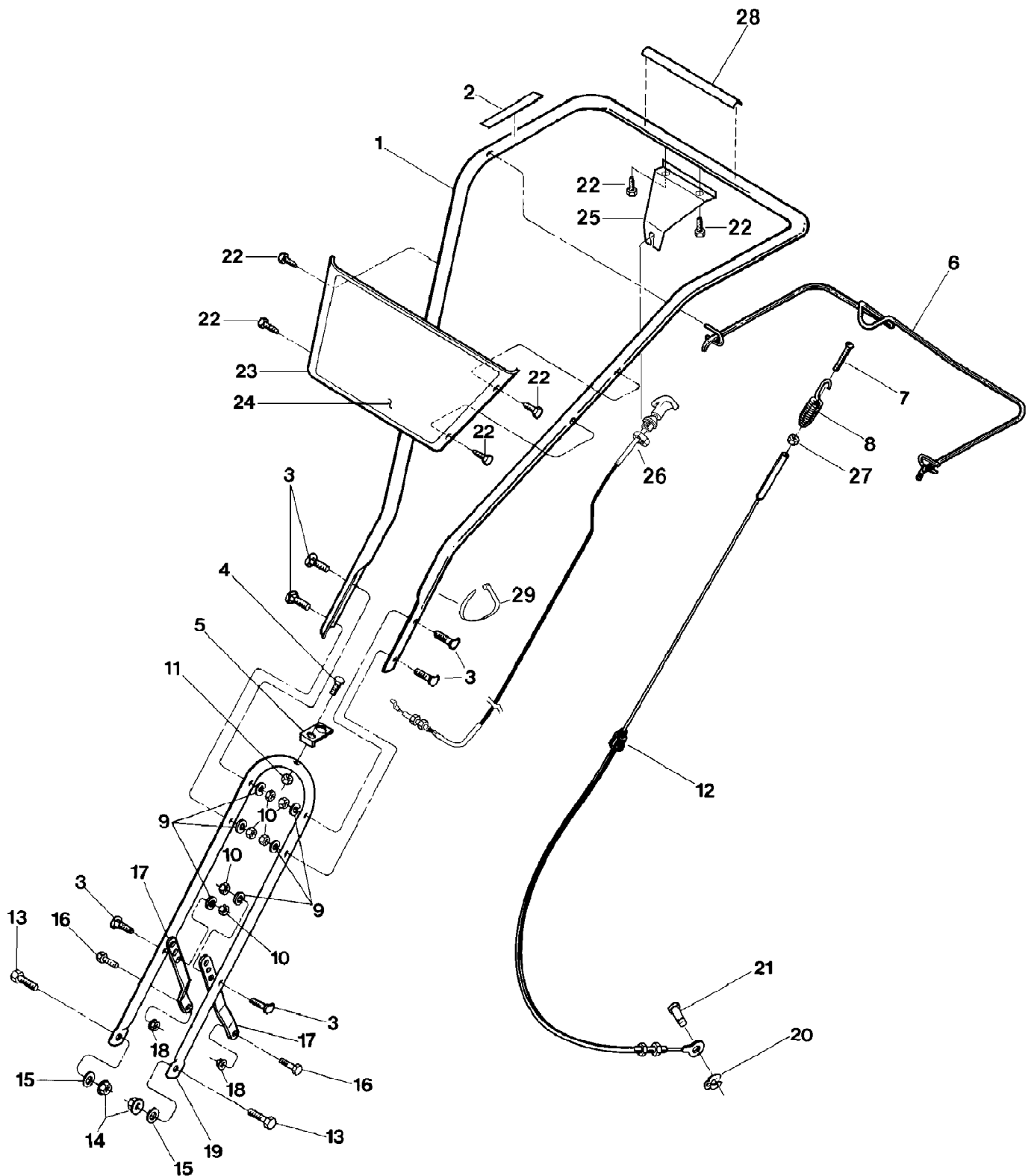


12190 3HP Roto-Tiller (S/N 121901100101-121901199999)  
Engine, Engine Brackets, And Forward Drive Mechanism

Page 4 of 16

Ref #	Part Number	Qty	S/P/F	Description
1		1		Engine 3HP, recoil start See your local authorized engine service dealer for engine parts or service. Refer to the engine nameplate for engine type and code information.
2	1916537001	1	S	Bracket, Belt Cover
3	1100242	8	S	Lockwasher-5/16
4	1111696	2		Bolt-Hex Hd., 5/16-24 x 1/2
5	1904557	1		Decal-Warning, Hot Surfaces
6	1917128	1	/P	Belt Cover- (includes decal 1904557)
7	9552	7	S	Bolt-Flanged Hd., Self-Tapping, 1/4-20 x 1/2
8	1186230	4	S	Nut-Hex Hd., 5/16-18"
9	50027	1	S	Support Washer
10	1916795001	1	/P	Bracket, Engine, Right
11	1138-2	A/R	S	Shim As Required
12	1916574	1		Spacer
12A	9301	2	S	Key-3/16 x 1
13	1911322	1	/P	Pulley, Engine Driven
14	9925	1		Washer, Belleville
15	1100009	1	S	Bolt-Hex Hd., 3/8-24 x 1
16	1916794001	1	S	Bracket, Engine, Left
17	1100799	5	S	Bolt-Hex Hd., 5/16-18 x 1-1/2
18	1916652001	1	S	Belt Pulley Guard
19	1916706	1	/P	Belt Guide
20	9558	1		Bolt-Hex Hd., 3/8-16 x 1-1/2
21	9090	1	S	Idler Pulley
22	1916116001	1	/P	Idler Lever
23	1110108	1	S	Locknut-3/8-16
24	1107382	2	/P	Washer, Flat
25	9386	1		Klip Ring
26	1916657	1	/P	V-Belt
27	55034	1	S	Spring, Return
28	55033	1		Bushing-Idler Lever
29	1100004	2	S	Bolt-Hex Hd., 5/16-24 x 3/4, Grade 5
30	9944	1	S	Washer, Belleville, Transmission Pulley
31	1911321	1	/P	Pulley-Transmission
32	1916117001	1	/P	Bracket-Cable Mount
33	1900766	1		Decal-Stabilization
34	1186328	4	S	Bolt-5/16-18 x 5/8, Engine Bracket to Transmission
35	9856	1	S	Clevis Pin-Control Cable
36	1107383	1	S	Washer-flat, 3/8

12190 3HP Roto-Tiller (S/N 121901100101-121901199999)  
Handlebars, Clutch Cables And Handlebar Mounting Hardware

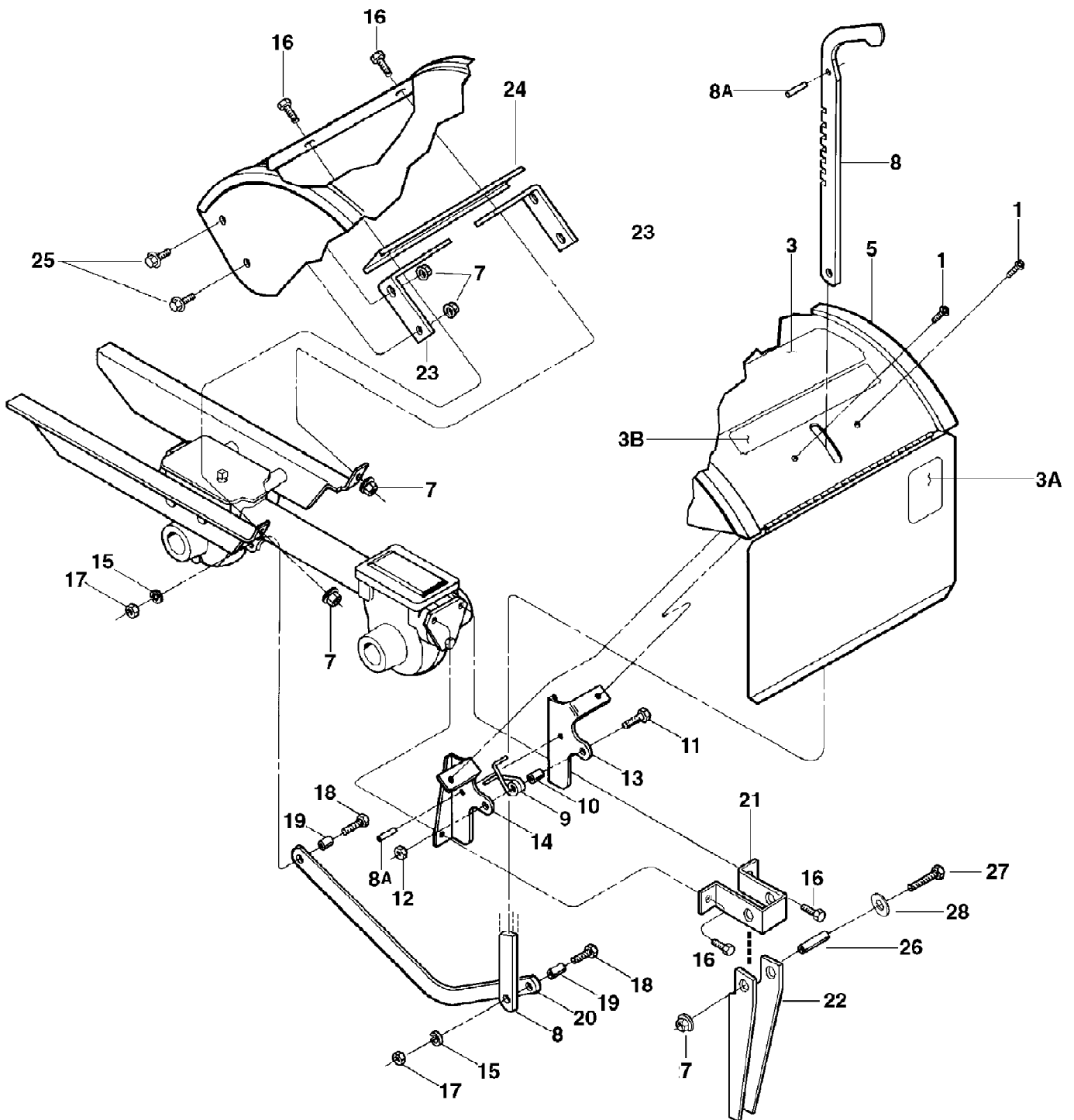


12190 3HP Roto-Tiller (S/N 121901100101-121901199999)  
Handlebars, Clutch Cables And Handlebar Mounting Hardware

Page 6 of 16

Ref #	Part Number	Qty	S/P/F	Description
1	1916909	1		Handlebar, Upper Model 12190-3HP; Incl. Ref. Nos. 2
	1916996	1	S	Handlebar, Upper Model 12191-5HP; Model 12193-6.5HP; Incl. Ref. Nos. 2 and 28
2	1916928	1		Decal-Forward Clutch Bail
3	9854	6	S	Curved Hd. Screw, 5/16-18 x 1-1/2
4	1100806	1	S	Hex Screw, 1/4-20 x 1-1/4
5	55044	1	S	Bracket, Forward Clutch Cable
6	1916106001	1	/P	Bail, Forward Clutch
7	9855	1	S	Screw, #10-24 x 2
8	1916712	1	/P	Spring, Forward Clutch
9	1100242	6	S	Lockwasher, 5/16
10	1186230	6	S	Hex Nut, 5/16-18
11	9811	1		Hex Locknut, 1/4-20
12	55048	1	S	Cable Assembly, Forward Clutch
13	1100068	2	S	Hex Screw, 3/8-16 x 3/4
14	9837	2	S	Hex Locknut, 3/8-16
15	1107383	2	S	Flat Washer, 3/8
16	1100044	2	S	Hex Screw, 5/16-18 x 3/4
17	1902173001	2	S	Support, Handlebar
18	1110107	2	S	Hex Locknut, 5/16-18
19	1902174001	1	S	Handlebar, Lower
20	9386	1		Klip Ring
21	9856	1	S	Clevis Pin
22	9552	4	S	Hex Screw, 1/4-20 x 1/2, Self-Tapping Model 12190-3HP
	9552	6	S	Hex Screw, 1/4-20 x 1/2, Self-Tapping Model 12193-6.5HP; Model 12191-5HP
23	1901273001	1		Panel
24	1916923	1		Decal-Model Name/Logo Model 12190-3HP
	1916924	1		Decal-Model Name/Logo Model 12191-5HP; Model 12191-5HP
	1916925	1		Decal-Model Name/Logo Model 12193-6.5HP
25	1916674001	1	S	Bracket, Reverse Clutch Cable Model 12191-5HP; Model 12193-6.5HP
26	1916719	1	S	Cable Assembly, Reverse Clutch Model 12191-5HP; Model 12193-6.5HP
27	1186227	1	S	Hex Nut, #10-24
28	1916929	1	S	Decal-Reverse Drive Control Model 12191-5HP; Model 12193-6.5HP
29	1735531	2	S	Cable Tie Model 12191-5HP; Model 12193-6.5HP

12190 3HP Roto-Tiller (S/N 121901100101-121901199999)  
Hood, Bracket And Depth Regulator

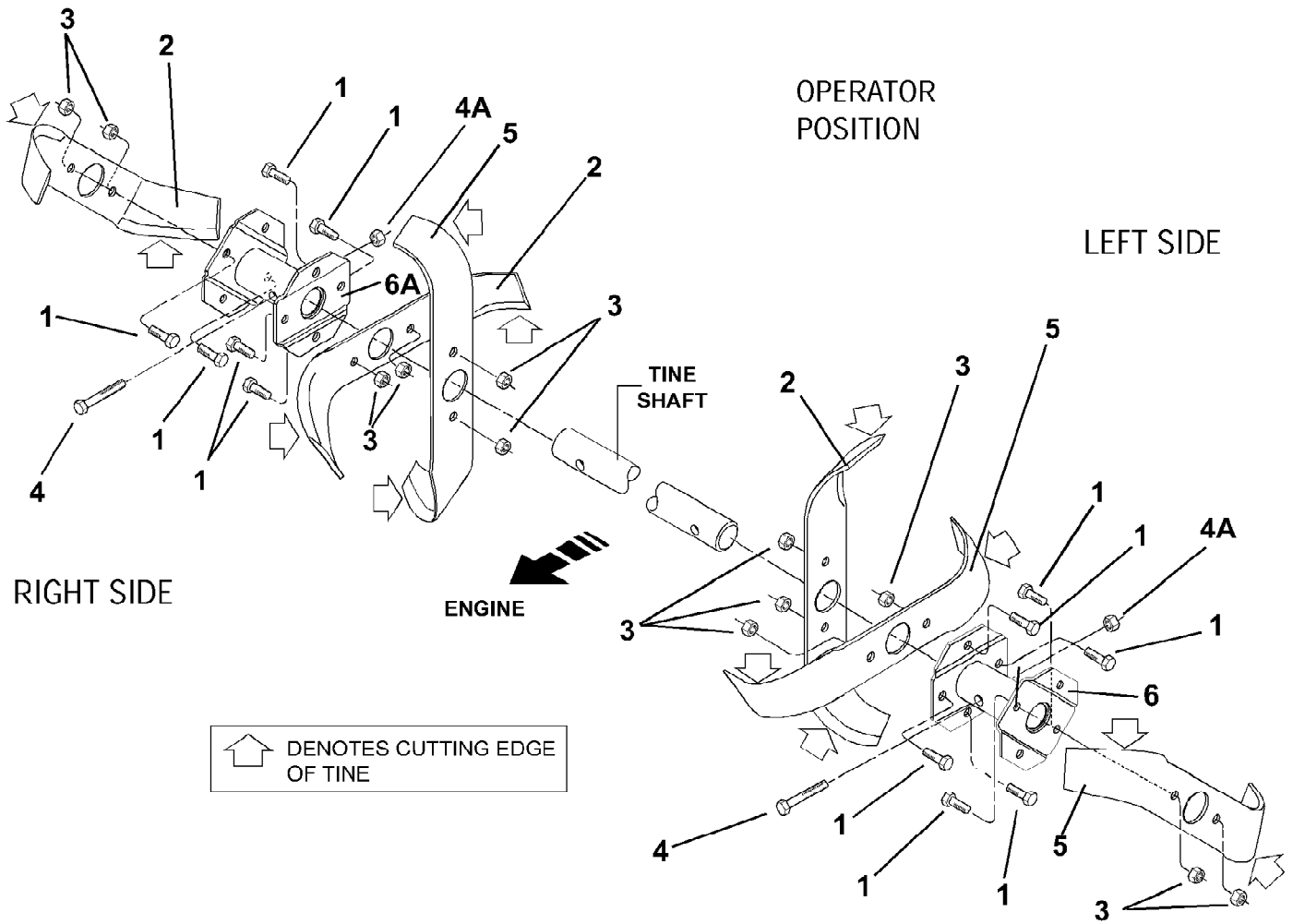


12190 3HP Roto-Tiller (S/N 121901100101-121901199999)  
Hood, Bracket And Depth Regulator

Page 8 of 16

Ref #	Part Number	Qty	S/P/F	Description
1	9552	2	S	Bolt-Fl. Hd., Self-Tap, 1/4-20 x 1/2
3	1916805	1		Decal-Hood
3A	1911361	1		Decal-Warning
3B	1916919	1	/P	Decal-Logo
5	1917121	1		Tine Hood, Model 12190-3HP; Includes tine flap. and Ref. No. 3, 3A, and 3B
	1917120	1	/P	Tine Hood Model 12191-5HP, MModel 12193-6.5HP; Includes tine flap and Ref. No. 3, 3A, and 3B
7	1186391	9	S	Nut-Flange Lock, 5/16-18
8	1916118001	1	S	Depth Regulator Lever
8A	9308	2	S	Spirol Pin
9	9384	1	S	Spring-Depth Regulator
10	9534	1	S	Spacer
11	1100069	1	S	Bolt-Hex Hd., 1/4-20 x 1
12	9811	1		Locknut-Hex Hd., 1/4-20
13	1916119001	1	S	Bracket-Hood, Right Hand
14	1916120001	1	S	Bracket-Hood, Left Hand
15	11000242	2		Lockwasher, 5/16
16	1186331	4	S	Bolt-Flanged Hd., 5/16-18 x 1
17	1186230	2	S	Nut-Hex Hd., 5/16-18
18	1100808	2		Bolt-Hex Hd., 5/16-18 x 1-1/4
19	55088	2	S	Bushing-Drag Bar
20	1916121001	1	S	Drag Bar
21	1916569001	1	S	Bracket-Stop
22	1916570001	1	S	Arm-Reverse (Drag Stake)
23	1916708001	2	S	Bracket-Hood Support
24	1916707001	1	/P	Bracket-Support Channel
25	1186328	6	S	Bolt-Hex Hd. 5/16-18 x 5/8
26	1916771	1	/P	Spacer
27	1111607	1	S	Bolt-Hex Hd. 5/16-18 x 2-1/4
28	1107382	1	/P	Washer-5/16 I.D.





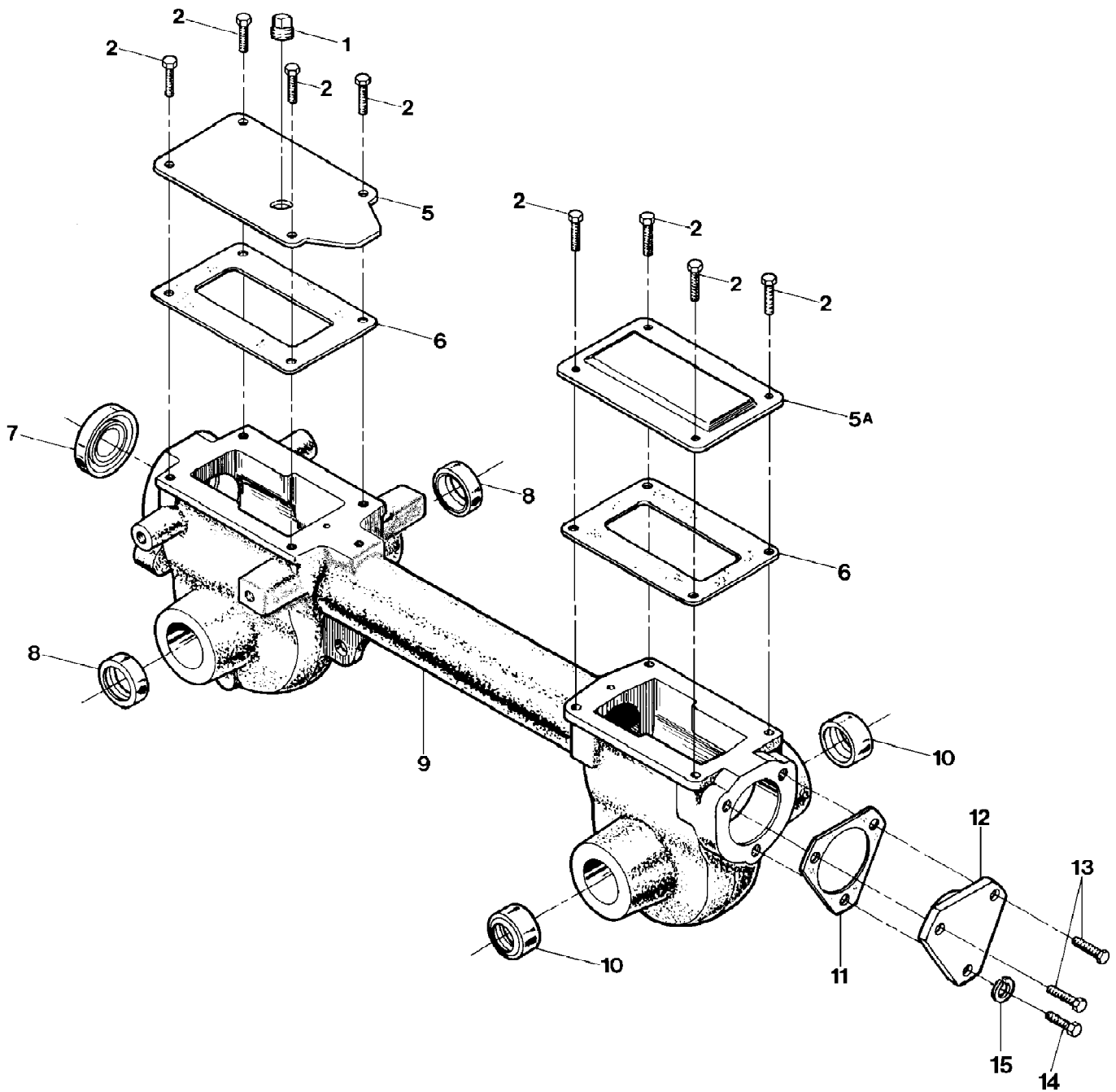
12190 3HP Roto-Tiller (S/N 121901100101-121901199999)

Page 10 of 16

Tines

Ref #	Part Number	Qty	S/P/F	Description
1	1100044	12	S	Bolt-Hex Head, 5/16-18 x 3/4, Grade 5, Tine Mounting
2	1817060	3	S	Tine-Twin-Edged, Left-Facing
3	1732499	12	/P	Locknut-Hex Hd., 5/16-18
4	1982612	2	S	Bolt-Hex Hd., 3/8-16 x 2 (tine holder to tiller shaft)
	1916783	1	/P	Replacement Set of 6 Tines - including three right-facing tines, three left-facing tines; and all required assembly hardware
4A	1733398	2	S	Locknut- Hex Hd., 3/8-16
5	1817059	3	S	Tine-Twin-Edged, Right-Facing
6	1916691001	1	/P	Tine Holder- left side Model 12190 - 3HP
	1916702001	1		Tine Holder- left side Model 12191 - 5HP
	1916704001	1		Tine Holder- left side Model 12193 - 6.5HP
6A	1916692001	1		Tine Holder- right side Model 12190 - 3HP
	1916703001	1		Tine Holder- right side Model 12191 - 5HP
	1916705001	1		Tine Holder- right side Model 12193 - 6.5HP

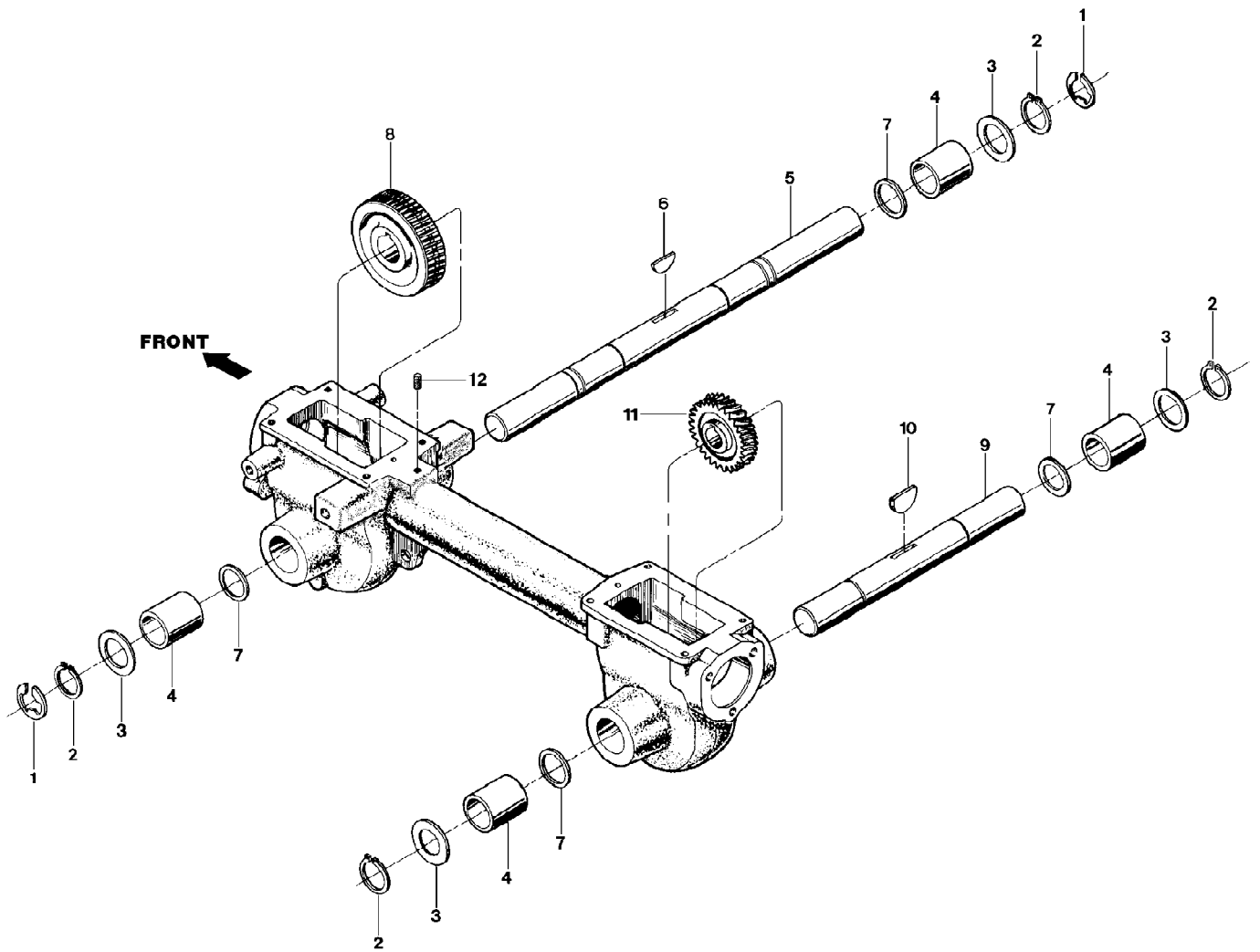
12190 3HP Roto-Tiller (S/N 121901100101-121901199999)  
Transmission Housing, Covers, Seals, Gaskets And Plug



12190 3HP Roto-Tiller (S/N 121901100101-121901199999)  
Transmission Housing, Covers, Seals, Gaskets And Plug

Page 12 of 16

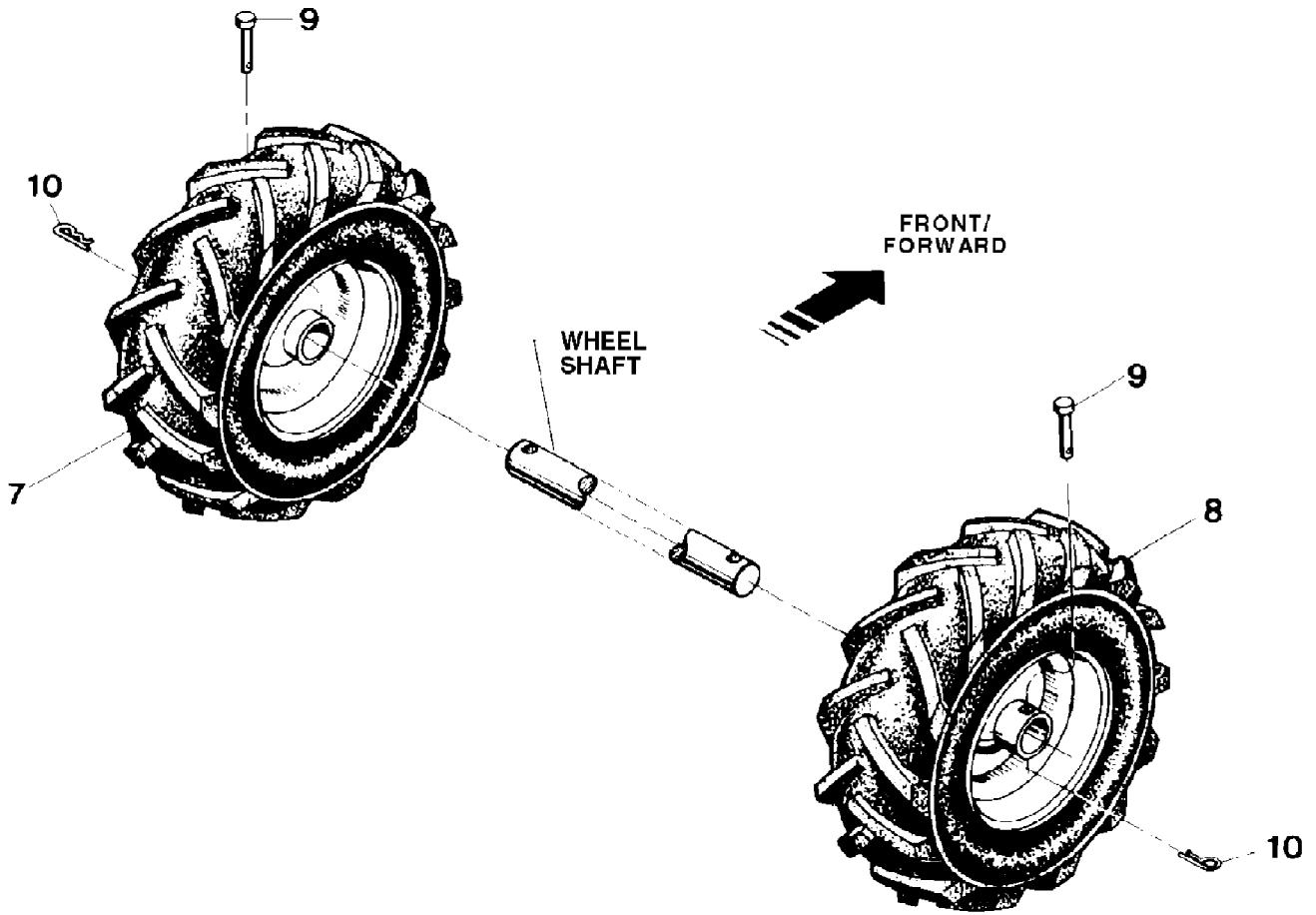
Ref #	Part Number	Qty	S/P/F	Description
1	9727	1	S	Plug, Transmission Oil Fill
2	1186328	8	S	Flange Screw, Grade 5, 5/16-18 x 5/8
5	1916641001	1	/P	Front Cover, Trans. Housing
5A	50074	1	S	Rear Cover, Trans. Housing
6	50032	2	S	Gasket, Trans. Housing Cover (Front and Rear)
7	9617	1	S	Oil Seal, Drive Shaft
8	9621	2	S	Oil Seal, Wheel Shaft
9	1916975001	1	S	Transmission Case, Rear Housing and Tube Assembly
10	1909374	2	S	Oil Seal, Tine Shaft
11	55011-1	1	S	Gasket, Bearing Cap (.010 thick)
	55011-2	1		Gasket, Bearing Cap (.030 thick)
12	1916111001	1	S	Cap, Rear Bearing
13	1186331	2	S	Flange Screw, 5/16-18 x 1
14	1100044	1	S	Flange Screw, 5/16-18 x 3/4
15	1100242	1	S	Lockwasher, 5/16
	737-04040	1	/P	Transmission Gear Oil. quart



12190 3HP Roto-Tiller (S/N 121901100101-121901199999)  
Wheel And Tiller Shaft Assemblies

Page 14 of 16

Ref #	Part Number	Qty	S/P/F	Description
1	9512	2	S	Retainer, Snap Ring, "E" Type
2	9511	4	S	Retainer, Snap Ring
3	1166-1	A/R	S	Shim, 0.062" Thick AS Required
	1166-2	A/R	S	Shim, 0.030" Thick AS Required
	1166-3	A/R	S	Shim, 0.015" Thick AS Required
	1166-4	A/R	S	Shim, 0.010" Thick AS Required
	1166-5	A/R	S	Shim, 0.005" Thick AS Required
4	1086	4	S	Bushing, Bronze
5	1916722	1		Wheel Shaft Model 12190 - 3HP
5	1916741	1	S	Wheel Shaft Model 12191 - 5HP
5	1916739	1		Wheel Shaft Model 12193 - 6.5HP
6	9305	1	S	Key, Hi Pro, 1/4 x 1
7	1132-2	4	S	Spacer
8	1904278	1	S	Worm Gear, Wheel Shaft
9	1915074	1	S	Tiller Shaft
10	1104	1	S	Woodruff Key, Tiller Shaft
11	1916542	1	S	Worm Gear, Tiller Shaft
12		1		UNKNOWN



12190 3HP Roto-Tiller (S/N 121901100101-121901199999)  
Wheels

Page 16 of 16

Ref #	Part Number	Qty	S/P/F	Description
7	55095-01	1	S	Wheel & Tire Assy-Left Side Model 12190 - 3HP
	20918-01	1	S	Wheel & Tire Assy-Left Side Model 12191 - 5HP
	2706-01	1	S	Wheel & Tire Assy-Left Side Model 12193 - 6.5HP
8	55095-02	1	S	Wheel & Tire Assy-Right Side Model 12190 - 3HP
	20918-02	1	S	Wheel & Tire Assy-Right Side Model 12191 - 5HP
	2706-02	1	S	Wheel & Tire Assy-Right Side Model 12193 - 6.5HP
9	9380	2	S	Clevis Pin-.312 x 1-3/4, secures wheel hub to wheel shaft
10	9338	2	S	Hair Pin Cotter