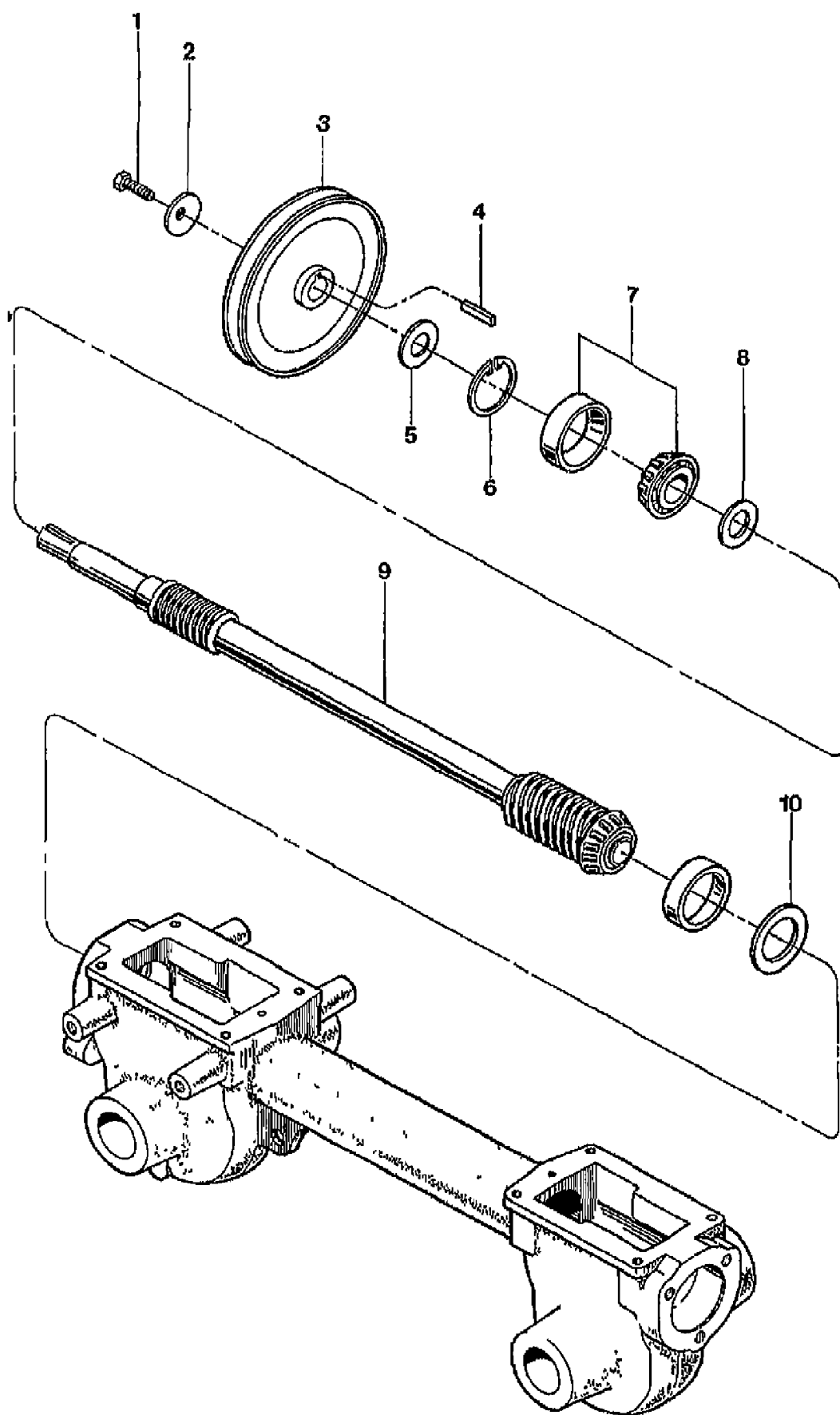


12155 3HP ROTO-TILLER (S/N 121551100101-UP)
DRIVE SHAFT ASSEMBLY

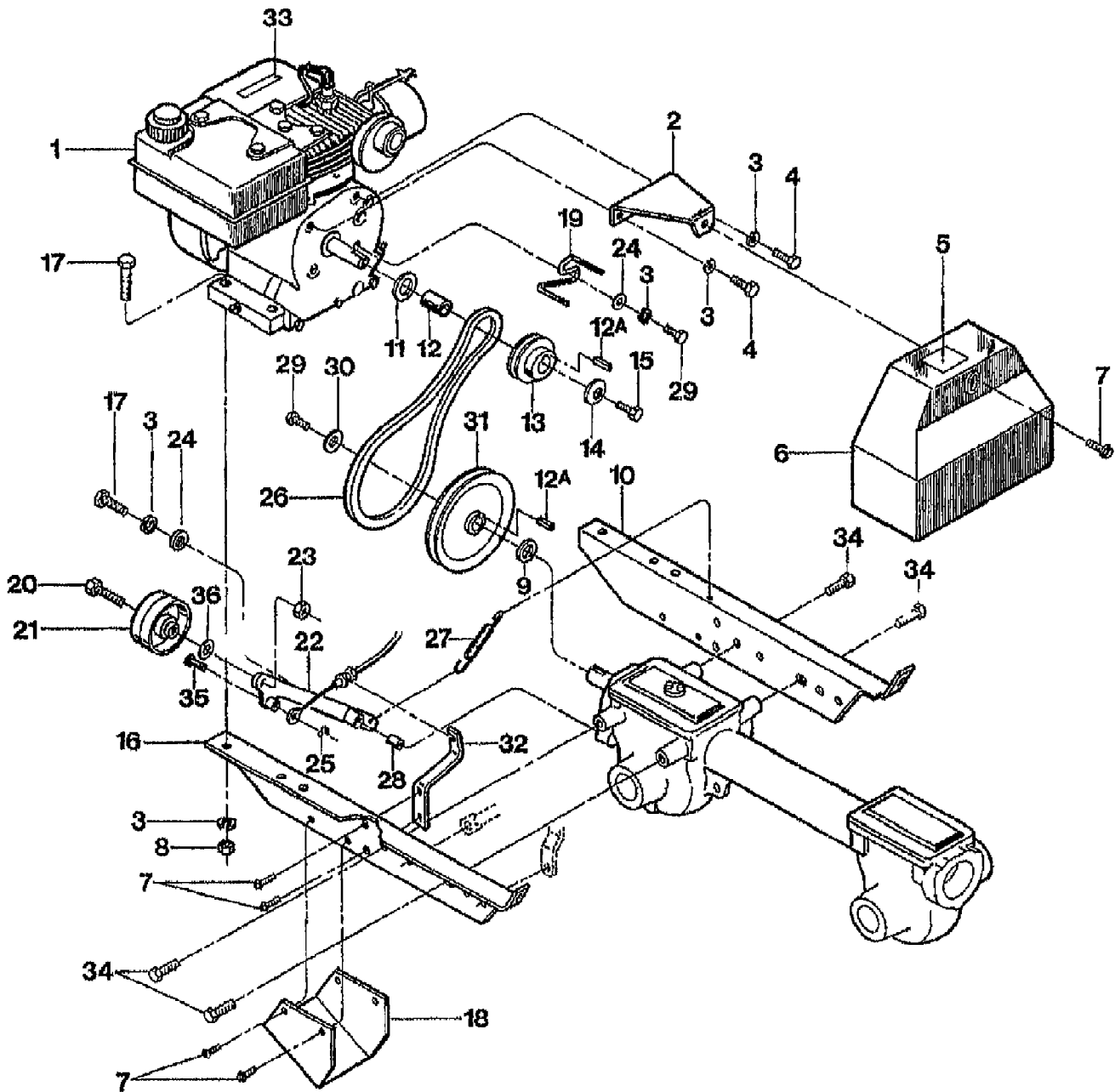


12155 3HP ROTO-TILLER (S/N 121551100101-UP)
DRIVE SHAFT ASSEMBLY

Page 2 of 14

Ref #	Part Number	Qty	S/P/F	Description
1	1100004	0	S	SCR-HH 5/16-24X.75 G5 ZP
2	9944	0	S	WASHER-.827X.331X.098
3	55031	0	S	PULLEY-TRANSMISSION
4	9301	0	S	KEY-.188 SQX1.0
5	50027	0	S	WASHER-SHLDR HARDENED
6	9517	0	S	RING-RETAINING 5000-181
7	1714	0	S	KIT-BRG CONE&RACE-DRIVESHAFT
8	50043	0	S	WASHER-#1.25X.75X.06
9	55001	0		DRIVESHAFT-MACH
9	1904281	0	/P	ASSM-DRIVESHAFT TUFFY {12155}
10	1224-1	0	S	SHIM-1.75X1.5X.01 AS REQ'D
10	1224-2	0	S	SHIM-1.75X1.5X.03 AS REQ'D
10	1224-3	0	S	SHIM-1.75X1.5X.005 AS REQ'D
10	1224-4	0	S	SHIM-1.75X1.5X.062 AS REQ'D
10	1325C	0	S/F	SHIM SET-DRIVESHAFT-HORSE
	1360A	0		OIL (1901964)
	1901964	0		OIL-GEAR 1 QT 140WT

12155 3HP ROTO-TILLER (S/N 121551100101-UP)
ENGINE, BRACKETS & FORWARD DRIVE

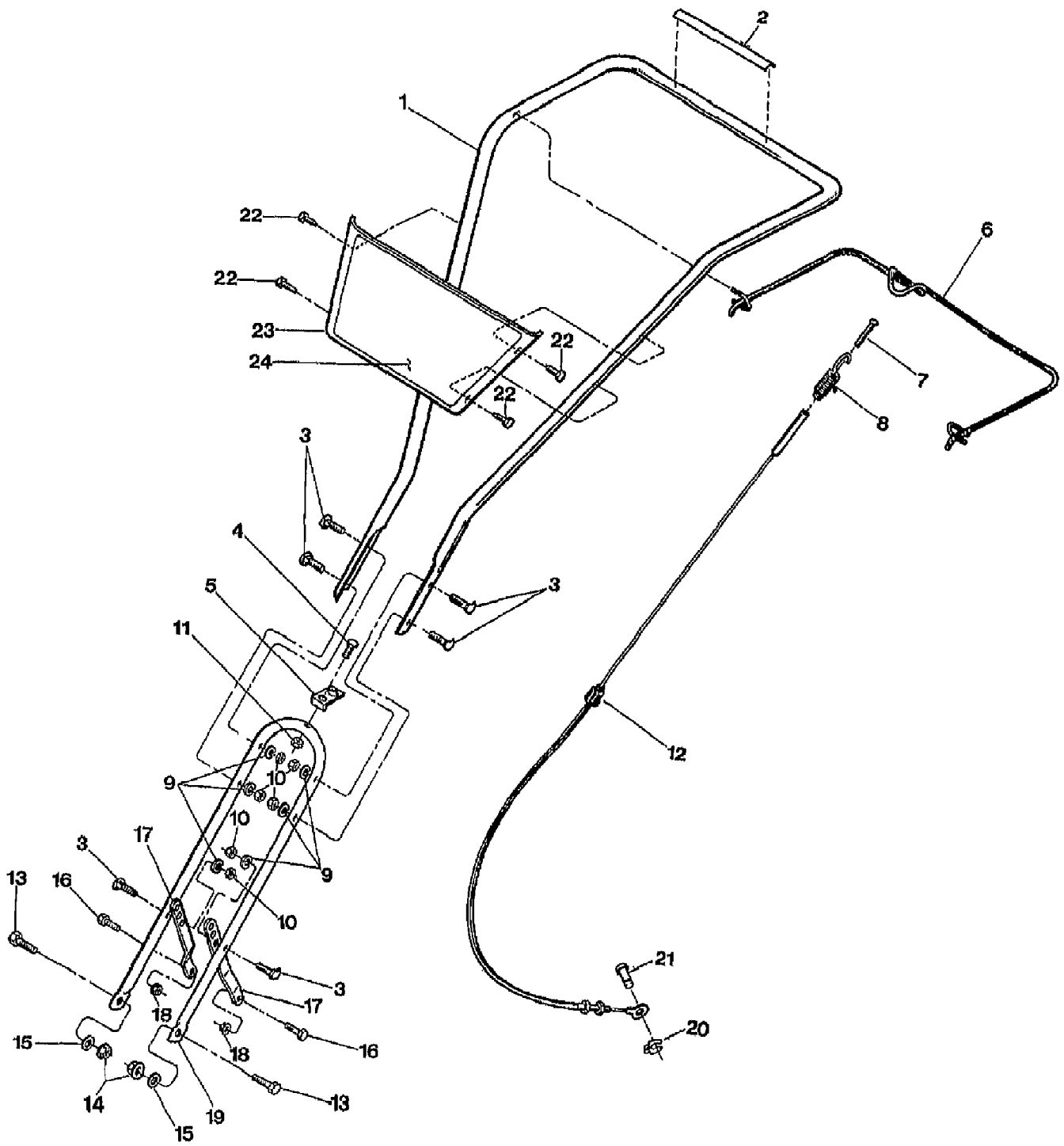


12155 3HP ROTO-TILLER (S/N 121551100101-UP)
ENGINE, BRACKETS & FORWARD DRIVE

Page 4 of 14

Ref #	Part Number	Qty	S/P/F	Description
1	0	0		ENGINE, TECUMSEH 3HP (H30-35387S)
2	55079	0	S	BRKT-BELT COVER PNT
3	1100242	0	S	WASHER-LK .312 ZP
4	1111696	0		SCR-HH 5/16-24X.50
5	55053	0		DECAL-HOT SURFACE
6	55086	0		COVER-BELT W/DECAL 55053
7	9552	0	S	SCR-HWH 1/4-20 X .5 STH
8	1186230	0	S	NUT-HEX 5/16-18 ZP
9	50027	0	S	WASHER-SHLDR HARDENED
10	55077-2	0		BRKT-ENGINE PNT
11	1138-2	0	S	SHIM-1.0X.7656X.031
12	55036	0	S	SPACER
12A	9301	0	S	KEY-.188 SQX1.0
13	55035	0	S	PULLEY-ENGINE
14	9925	0		WASHER-.994X.413X.145
15	1100009	0	S	SCR-HH 3/8-24X1.0 G5 ZP
16	55077-1	0	S	BRKT-ENGINE LEFT PNT
17	1100799	0	S	SCR-HH 5/16-18X1.5 G5 ZP
18	55080	0	S	GUARD-BELT/PULLEY PNT
19	55039	0	S	BELT STOP
20	9558	0		BOLT-HH 3/8-16X1.5 FTH ZP
21	9090	0	S	PULLEY-IDLER FORWARD
22	55078	0	S	ARM-IDLER PNT
23	1110108	0	S	NUT-H/LK 3/8-16
24	1100255	0	S	WASHER-FLAT 5/16 SAE
25	9386	0		RING-KLIP .188 DIA
26	55037	0	S	BELT-V TUFFY
27	55034	0	S	SPRING-RETURN
28	55033	0		BUSHING-IDLER LEVER PM
29	1100004	0	S	SCR-HH 5/16-24X.75 G5 ZP
30	9944	0	S	WASHER-.827X.331X.098
31	55031	0	S	PULLEY-TRANSMISSION
32	55084	0	S	BRKT-CABLE MTG PNT
33	1900766	0		DECAL-STARTING STABIL
34	90038	0		SCR-HFLK 5/16-18X.62 G5ZP
35	9856	0	S	PIN-CLEVIS CABLE
36	9904	0	S	WASHER-FLAT 3/8 SAE

12155 3HP ROTO-TILLER (S/N 121551100101-UP)
HANDLE BARS & CLUTCH CABLE

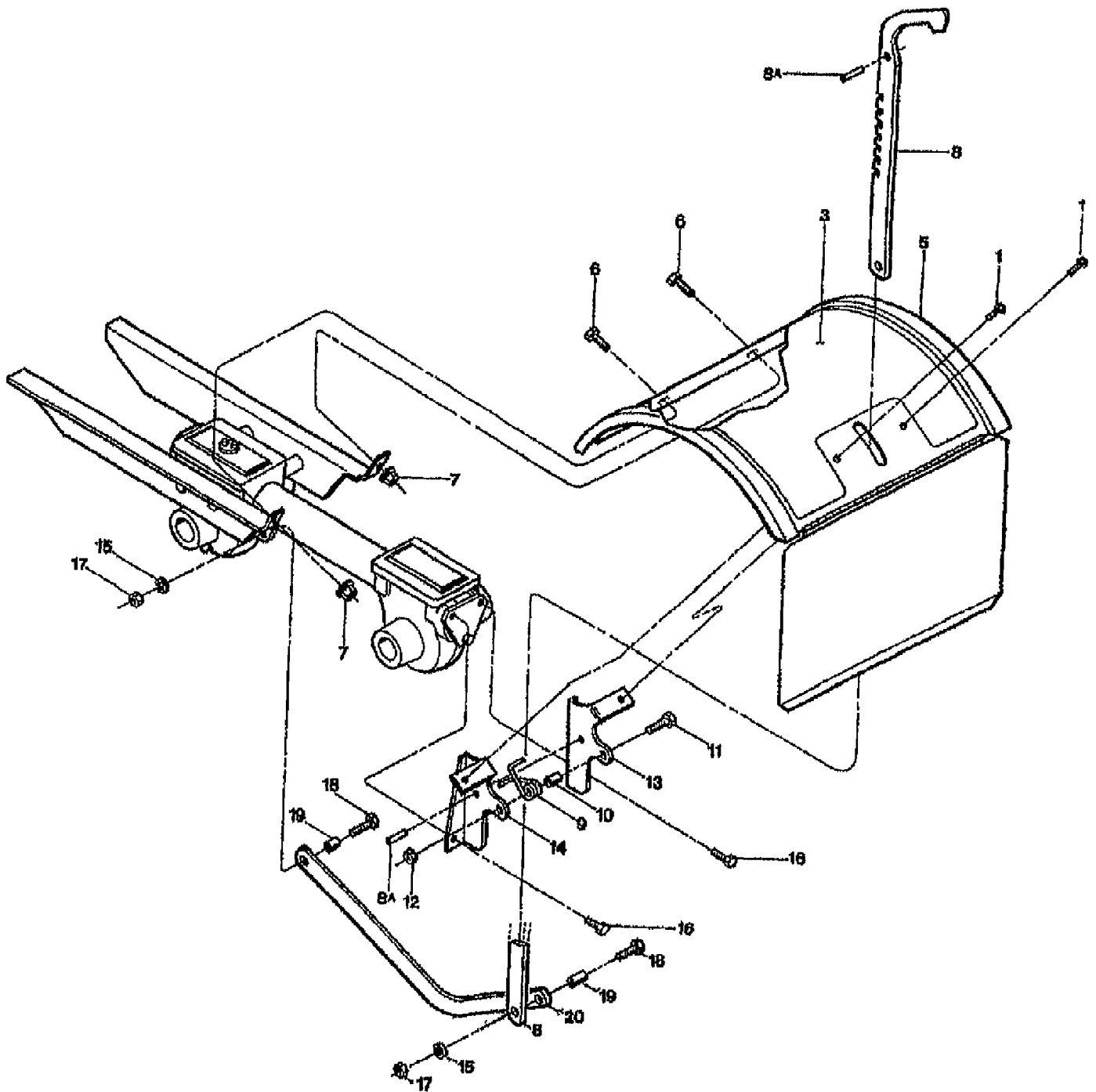


12155 3HP ROTO-TILLER (S/N 121551100101-UP)
HANDLE BARS & CLUTCH CABLE

Page 6 of 14

Ref #	Part Number	Qty	S/P/F	Description
1	55104	0	S	HANDLEBAR-UPR W/DECAL
2	1900765	0		DECAL-55103
3	9854	0	S	SCR-CUR.H.5/16X1 1/2
4	1100806	0	S	SCR-HH 1/4-20X1.25
5	55044	0	S	TAB-CONDUIT MOUNT
6	55046	0		BAIL-FWD. DRIVE PNT
7	9855	0	S	SCR-SLOT.H.10-24X2
8	55047	0	S	ASSM-SPRING CABLE
9	1100242	0	S	WASHER-LK .312 ZP
10	1186230	0	S	NUT-HEX 5/16-18 ZP
11	1817146	0	S	NUT-LK 1/4-20
12	55048	0	S	ASSM-CONTROL CABLE
13	1100068	0	S	SCR-HH 3/8-16X.75 G5 ZP
14	9837	0	S	NUT-LOCK 3/8-16 NYLON ZP
15	9904	0	S	WASHER-FLAT 3/8 SAE
16	1100044	0	S	SCR-HHC 5/16-18X.75 GR 5 ZP
17	55081	0	S	LINK-H/BAR PNT
18	1110107	0	S	NUT-H/LK 5/16-18
19	55082	0		HANDLEBAR-LWR PNT
20	9386	0		RING-KLIP .188 DIA
21	9856	0	S	PIN-CLEVIS CABLE
22	9552	0	S	SCR-HWH 1/4-20 X .5 STH
23	1901273010	0		PANEL-55102 PNT
24	55097	0		DECAL-Graphics PANEL TUFFY (MODEL NAME & LOGO)

12155 3HP ROTO-TILLER (S/N 121551100101-UP)
HOOD DEPTH REDULATOR & DRAG BAR

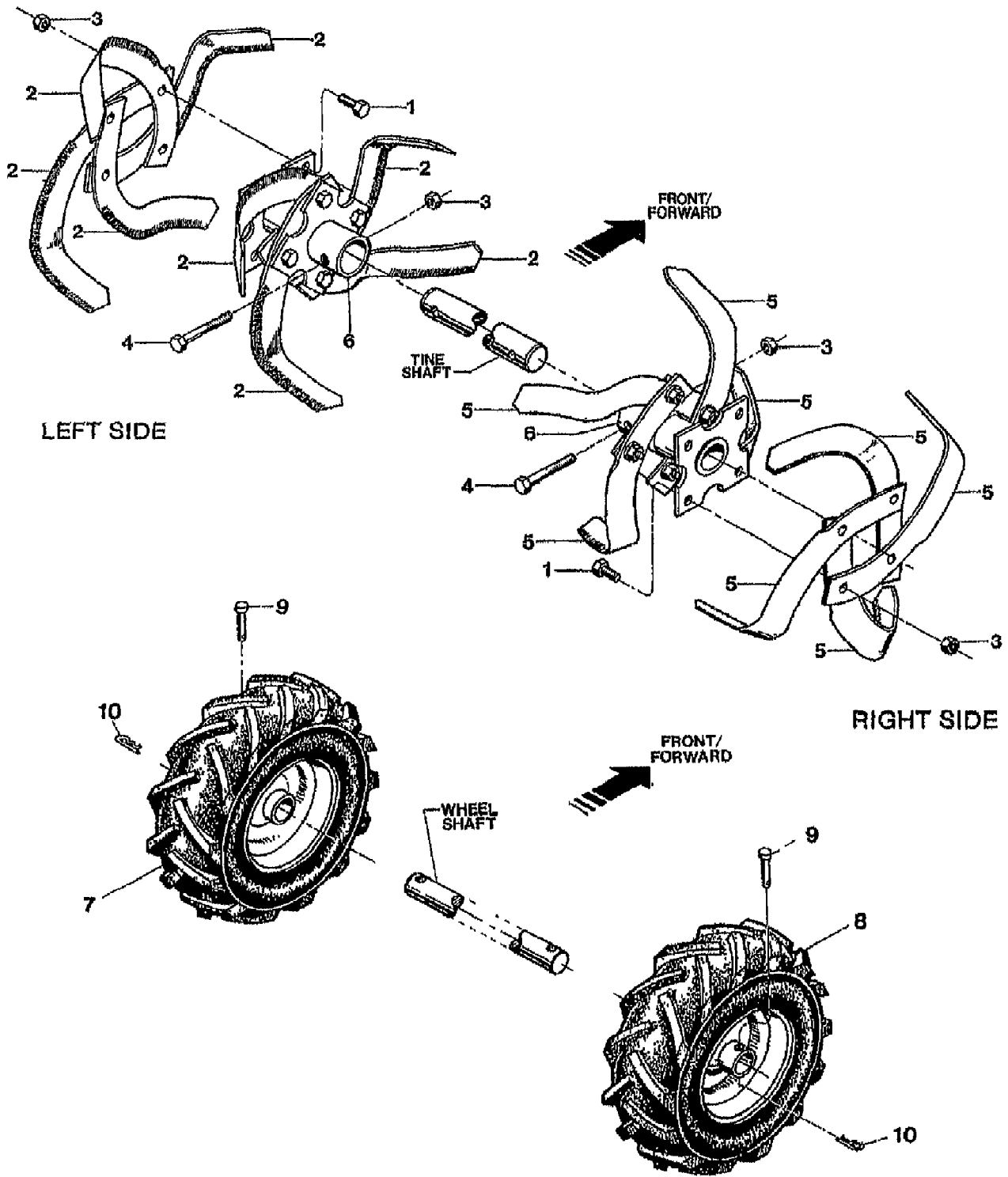


12155 3HP ROTO-TILLER (S/N 121551100101-UP)
HOOD DEPTH REDULATOR & DRAG BAR

Page 8 of 14

Ref #	Part Number	Qty	S/P/F	Description
1	9552	0	S	SCR-HWH 1/4-20 X .5 STH
2	0	0		REF. NO. 2 IS NOT USED
3	55101	0		DECAL-HOOD OPER INST
3	1904547	0		DECAL-HOOD INST TUFFY {12155}
4	0	0		REF. NO. 4 IS NOT USED
5	55076	0	S	HOOD W/DECALS PNT (INCL. TINE FLAP & 55101)
5	1904572	0	S	HOOD W/DECALS TUFFY (INCL. TINE FLAP & 55101)
6	1100088	0		SCR-HH 5/16-18X.5 GD5 YEL
7	1186391	0	S	NUT-HFLK 5/16-18 ZP
8	55074	0	S	DEPTH REG-W/PIN PNT
8A	9308	0	S	PIN-ROLL .25 X 1
9	9384	0	S	SPRING-TORSION
10	9534	0	S	SPACER-.250X.343X.375
11	1100069	0	S	SCR-HH 1/4-20X1.0
12	1817146	0	S	NUT-LK 1/4-20
13	55072-2	0		BRKT-HOOD RIGHT PNT
14	55072-1	0	S	BRKT-HOOD LEFT PNT
15	1100242	0	S	WASHER-LK .312 ZP
16	1186331	0	S	SCR-HFLK 5/16-18X1.00 ZP
17	1186230	0	S	NUT-HEX 5/16-18 ZP
18	1100808	0		SCR-HH 5/16-18X1.25 G5ZP
19	55088	0	S	BUSHING-.438X.323X.4
20	55073	0	S	DRAG BAR-TUFFY PNT

12155 3HP ROTO-TILLER (S/N 121551100101-UP)
TINES & WHEELS

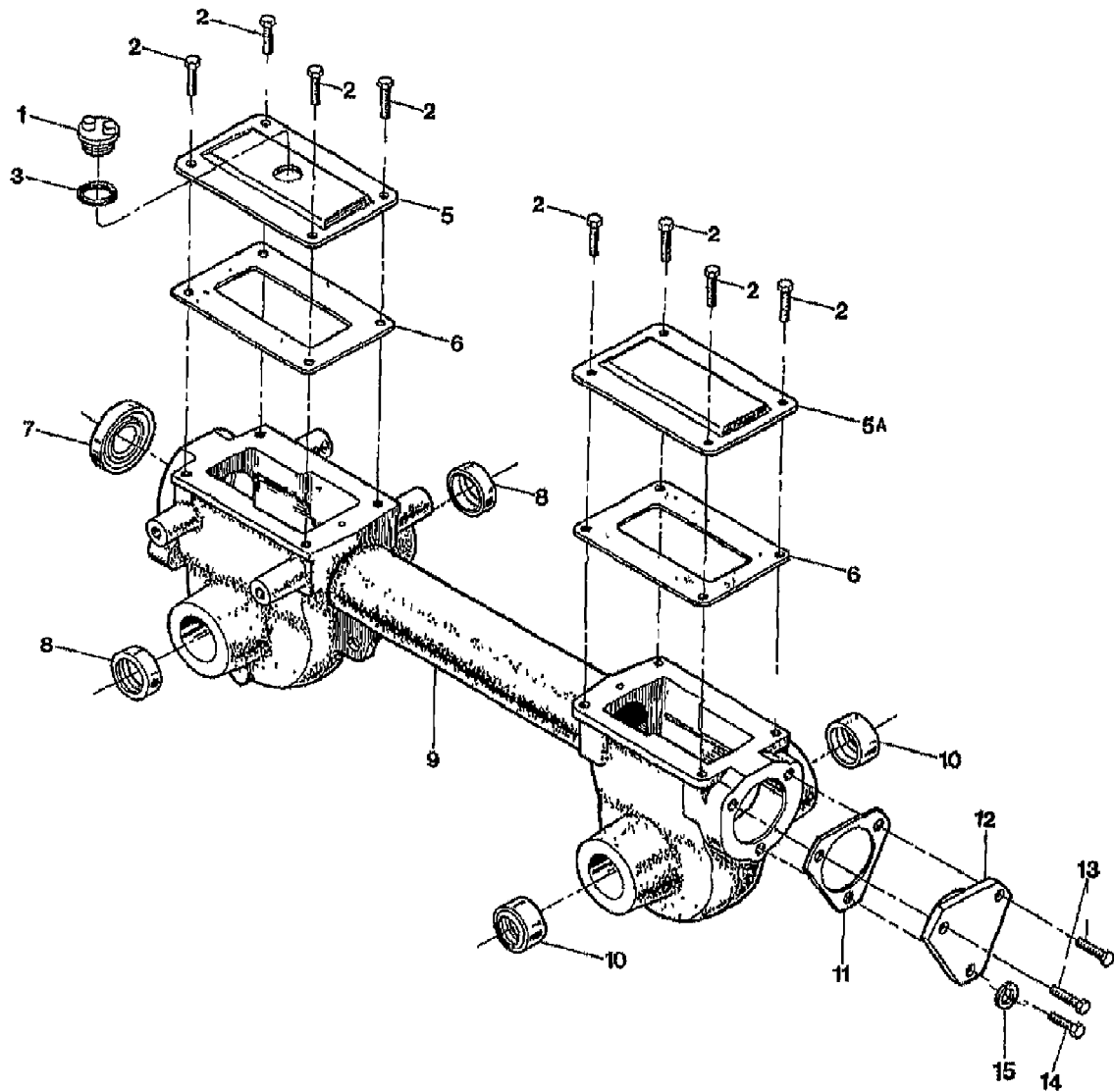


12155 3HP ROTO-TILLER (S/N 121551100101-UP)
TINES & WHEELS

Page 10 of 14

Ref #	Part Number	Qty	S/P/F	Description
1	9711	0		SCR-HH 3/8-16X1.0 G5 ZP
2	50049-01	0	S/F	TINE-BOLO RIGHT
3	1733398	0	S	NUT-LOCK 3/8-16
4	1982612	0	S	SCR-HH 3/8-16X2.00 G8 (TINE HOLDER TO TILLER SHAFT)
	1901	0	S/F	TINES-BOLO JUNIOR/TUFFY
5	50049-02	0	S/F	TINE-BOLO LEFT
6	1902155010	0		HOLDER-TINE JUNIOR
6	1915075010	0	S	HOLDER-TINE T/B TUFFY {12155}
7	55095-01	0	S	ASSM-TIRE&WHL LH GRAY
8	55095-02	0	S	ASSM-TIRE&WHL RH GRAY
9	9380	0	S	PIN-CLEVIS
10	9338	0	S	PIN-CLIP .08

12155 3HP ROTO-TILLER (S/N 121551100101-UP)
TRANSMISSION HSG. & SEALS/GASKETS

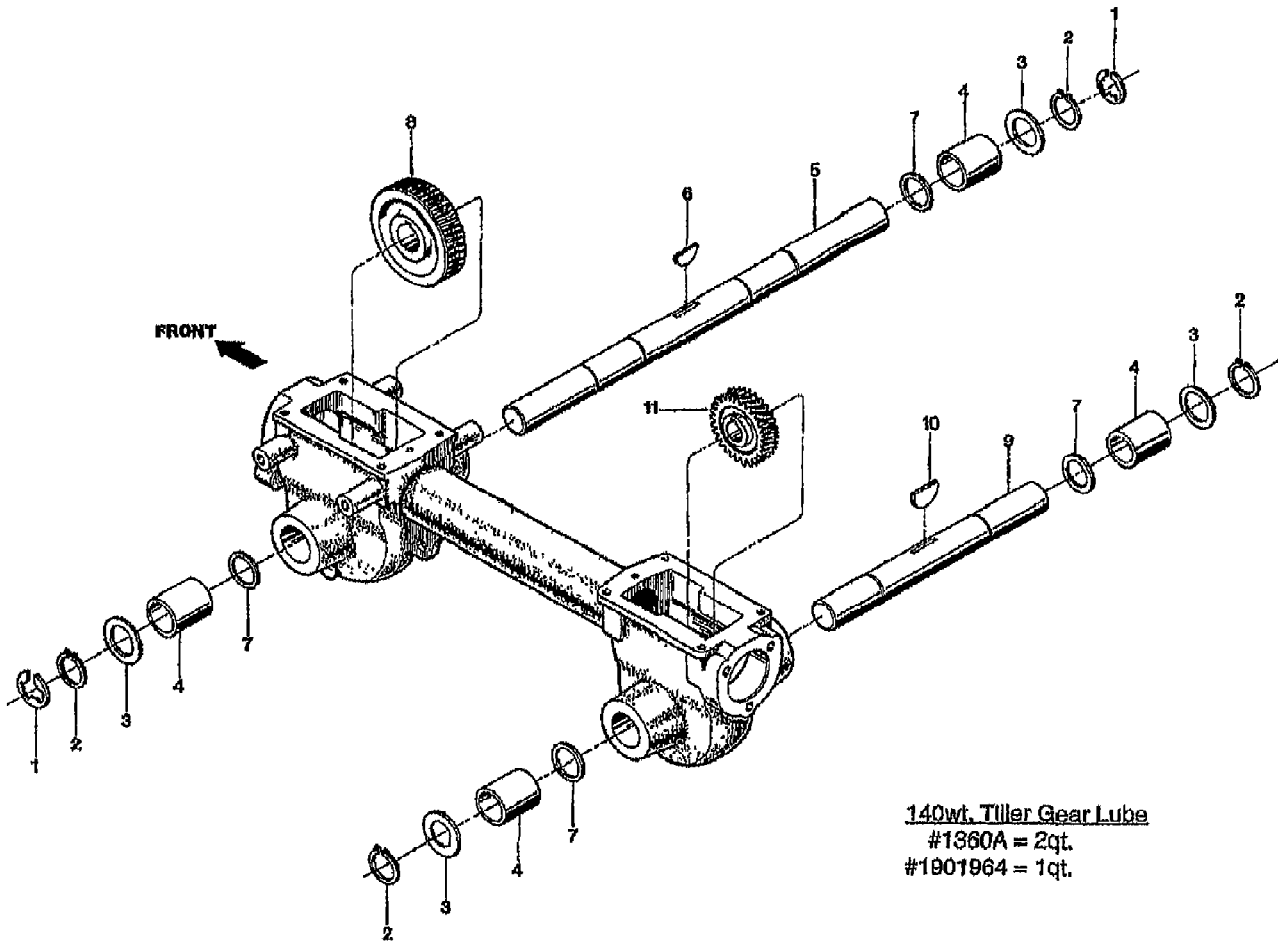


12155 3HP ROTO-TILLER (S/N 121551100101-UP)
TRANSMISSION HSG. & SEALS/GASKETS

Page 12 of 14

Ref #	Part Number	Qty	S/P/F	Description
1	9467	0	S	PLUG-OIL FILL 3/4-10
2	90038	0		SCR-HFLK 5/16-18X.62 G5ZP
3	97037	0	S	GASKET-O RING .674 I.D.
5	55090	0		COVER-TRANS FRNT PNT
5A	55091	0	S	CVR-TRANS REAR PNT
6	50032	0	S	GASKET-GEAR HSG
7	9617	0	S	SEAL-OIL DRIVESHAFT
8	9621	0	S	SEAL-OIL WHEELSHAFT
9	55000	0		TRANSMISSION-MACH
9	1915084010	0	S	HSG-TRANS T/B TUFFY {12155}
10	1915308	0	/P/F	KIT-OIL SEAL TUFFY
11	55011-1	0	S	GASKET-BEARING CAP .010
11	55011-2	0		GASKET-BEARING CAP .030
12	55010	0	S	CAP-REAR BEARING-PM
13	1186331	0	S	SCR-HFLK 5/16-18X1.00 ZP
14	1186329	0	S	SCR-HFLK 5/16-18X.75 ZP
15	1100242	0	S	WASHER-LK .312 ZP
	1360A	0		OIL (1901964)
	1901964	0		OIL-GEAR 1 QT 140WT

12155 3HP ROTO-TILLER (S/N 121551100101-UP)
WHEEL & TILLER SHAFT ASSEMBLY



140wt. Tiller Gear Lube
#1360A = 2qt.
#1901964 = 1qt.

12155 3HP ROTO-TILLER (S/N 121551100101-UP)
WHEEL & TILLER SHAFT ASSEMBLY

Page 14 of 14

Ref #	Part Number	Qty	S/P/F	Description
1	9512	0	S	RING-RETAINING 5133-989
2	9511	0	S	RING-HEAVY EXT .906 ID
3	1166-1	0	S	SHIM-1.375X1.015X.062
3	1166-2	0	S	SHIM-1.375X1.015X.03
3	1166-3	0	S	SHIM-1.375X1.015X.015
3	1166-4	0	S	SHIM-1.375X1.015X.01
3	1166-5	0	S	SHIM-1.375X1.015X.005
4	1086	0	S	BUSHING-1.25X1.005X1.5
5	55004	0	S	SHAFT-WHEEL MACH
6	9305	0	S	KEY-HI PRO .25X1.062
7	1132-2	0	S	SHIM-1.234X1.015X.062
8	50041	0		GEAR-WORM 61 TEETH MACH
9	55006	0		SHAFT-TILLER MACH
9	1915074	0	S	SHAFT-TUFFY TLR MACH {12155}
10	1104	0	S	KEY-WOODRUFF .25X1.12
11	50042	0	S	GEAR-WORM BRONZE MACH
11	1904279	0	S	GEAR-WORM TINE MACH {12155}
	1360A	0		OIL (1901964)
	1901964	0		OIL-GEAR 1 QT 140WT