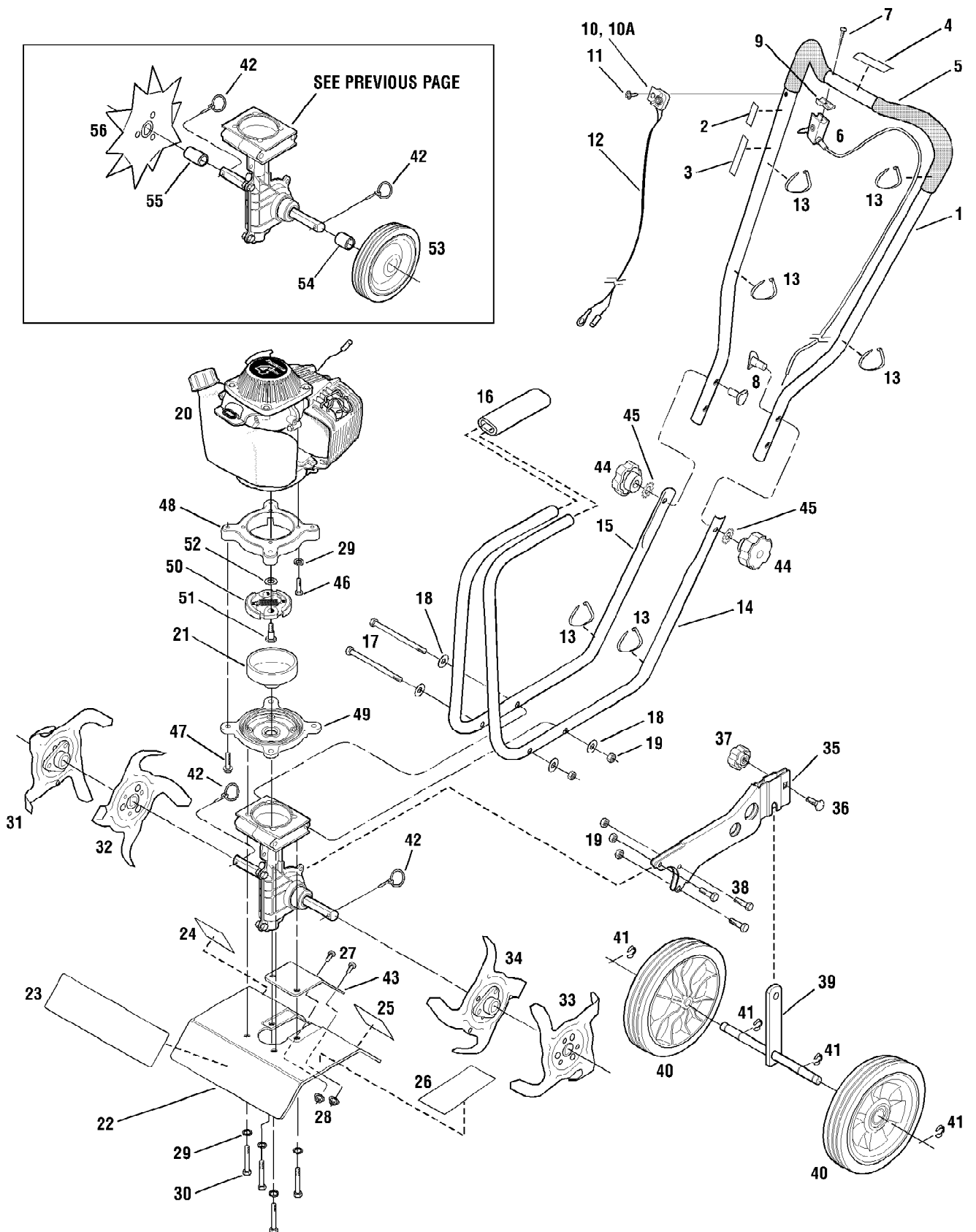


21A-148H063 1.5HP (2002)
General Assembly



Ref #	Part Number	Qty	S/P/F	Description
1	1918087	1	S	Handlebar Assy. (Incl. Refs. 2, 3, 4 & 5)
2	777I00008	1		Decal - On/Off Ignition Switch
3	777I00007	1		Decal - Starting Stabilization
4	777I00009	1		Decal - Throttle/Tines Control Lever Operation
5	1917451	2		Handlebar Grip, PVC
6	1917755	1	S	Throttle Lever and Cable
7	1750608	1	/P	Pan Hd. Screw, #10-16 x 1-1/2
8	1731025	2	/P	Saddle Hd. Screw, 5/16-18 x 2
9	1909775	1	/P	Spacer, Throttle Lever
10	1983718	1	/P	On/Off Ignition Switch
10A	1981012	1	S	Bracket - On/Off Ignition Switch
11	1766503	1		Phillips Hd. Screw, #12-24
12	1918051	1	/P	Wire Assy. - On/Off Ignition Switch.
13	1763682	6	/P	Plastic Wire Tie
14	1917576001	1	/P	Lower Handlebar - Left-Side
15	1917575001	1		Lower Handlebar - Right-Side
16	1909720	1	/P	Foam Sleeve
17	1983663	2	/P	Hex Hd. Screw, 1/4-20 x 5
18	736-0463	2	S	Flat Washer, 1/4-20
19	1110106	5	/P	Hex Locknut, 1/4-20
20		1		Engine Order parts from your local authorized engine dealer. Refer to engine nameplate for model/type number.
21	1917531	1	S	Clutch Drum and Hub
22	1918124	1	/P	Tine Shield (Incl. Refs. 23, 24, 25 & 26)
23	777D06104	1		Decal - Logo
24	777S00012	1		Decal - Warning, Rotating Tines
25	777S30647	1		Decal - Warning, Hot Surfaces
26	777S00013	1		Decal - Caution, Operation Hazards
27	1186292	2		Hex Hd. Screw, #10-24 x 1/2
28	1186387	2	/P	Flange Locknut, #10-24
29	736-0329	8	S	Lock Washer, 1/4-20
30	710-0501	4	/P	Hex Cap Screw, 1/4-20 x 2
31	1909540	1	/P	Outer Tine - Right-Hand Side
32	1909539	1	/P	Inner Tine - Right-Hand Side
33	1909712	1	/P	Outer Tine - Left-Hand Side
34	1909711	1	/P	Inner Tine - Left-Hand Side
35	1909680001	1	/P	Wheel Bracket
36	GW-90077	1	S	Carriage Bolt
37	1909835	1	/P	Knob
38	710-0597	3	/P	Hex Hd. Screw, 1/4-20 x 1
39	1909517001	1		Axle
40	1917754	2	/P	Wheel
41	GW-9532	4	/P	E-Ring
42	1185590	2	/P	Ring Lock Pin
43	1981022010	1	/P	Tine Hood Cover
44	1763767	2		Knob
45	1177038	2	/P	Lock Washer, 5/16
46	GW-90041	4		Hex. Hd. Screw, M6 x 20
47	1186332	4		Hex Flange Screw, 5/16-18 x 1-1/4
48	1917530	1		Adapter Plate - Engine

21A-148H063 1.5HP (2002)
General Assembly

Page 3 of 6

Ref #	Part Number	Qty	S/P/F	Description
49	1917529	1	/P	Adapter Plate - Transmission
50	1918365	1	S	Clutch Assy. (Incl. Refs. 55 and 56)
51		2		Hex Hd. Screw, M8 Not available separately.
52		2		Flat Washer, M8 x M17 Not available separately.
53	1903777	1	/P	Edger Wheel EDGER ATTACHMENT
54	1903778	1	/P	Bushing - Short EDGER ATTACHMENT
55	1983648	2	/P	Bushing - Long EDGER ATTACHMENT
56	1915054	1		Edger Tine EDGER ATTACHMENT
	OEM-290-263	1		Power Lawn Rake Attachment OPTIONAL ATTACHMENTS
	OEM-290-264	1		Lawn Aerator Attachment OPTIONAL ATTACHMENTS

Decals are not shown at full size.



*On top, left-side
tine shield*



On top of handlebar



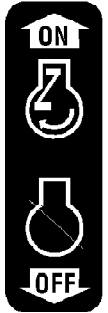
*On rear, right-side
tine shield*



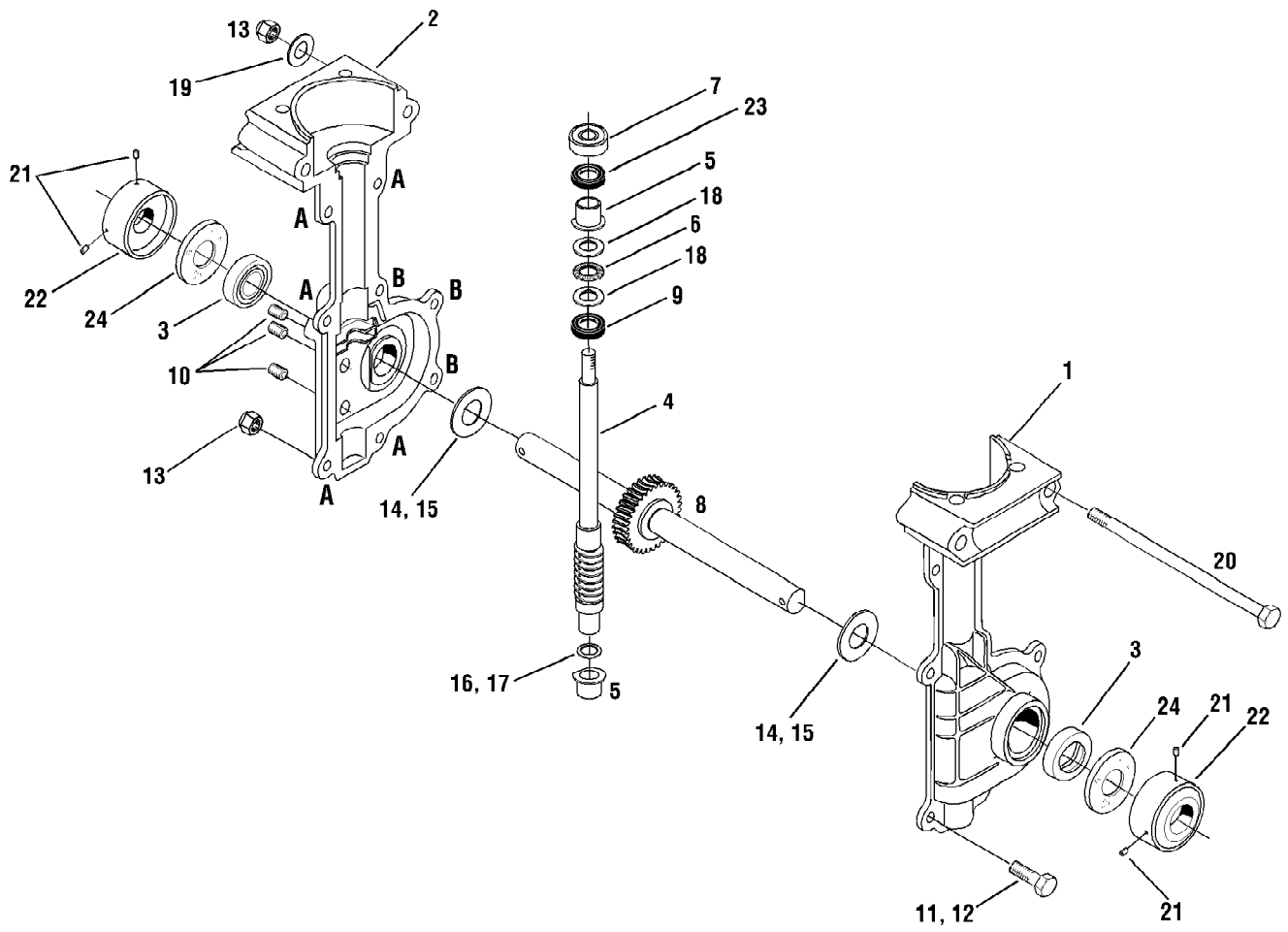
*On rear, left-side
tine shield*



On right-side handlebar



*On right-side
handlebar*



21A-148H063 1.5HP (2002)
Transmission Assembly

Page 6 of 6

Ref #	Part Number	Qty	S/P/F	Description
1	1915039	1	/P	Transmission Case - left-side (Incl. pressed-in bushing)
2	1915040	1	/P	Transmission Case - right-side (Incl. pressed-in bushing)
3	1983632	2	S	Oil Seal
4	1918308	1	/P	Worm Input Shaft Assembly
5	1983731	2	/P	Input Bearing
6	1983636	1	/P	Thrust Bearing
7	1983637	1	/P	Ball Bearing
8	1904416	1	/P	Shaft Assembly (Incl. pressed-on worm gear and two ring lock pins)
9	1909923	1	S	Oil Seal, Input
10	1185741	3	S	Plug, 1/8
11	710-0206	5	/P	Hex Screw, 1/4-20 x 7/8 (five locations, identified as "A" on transmission case)
12	710-0597	3	/P	Hex Screw, 1/4-20 x 1 (three locations, identified as "B" on transmission case)
13	1110106	8	/P	Locknut, Nyloc, 1/4-20
14	1983635	A/R	/P	Thrust Washer, Output (.050")
15	1983640	A/R		Thrust Washer, Output (.040")
16	1983641	A/R	/P	Thrust Washer, Input (.020")
17	1983642	A/R	S	Thrust Washer, Input (.035")
18	1983638	2	/P	Thrust Washer
19	736-0463	2	S	Flat Washer, 1/4
20	1983663	2	/P	Hex Hd. Screw, 1/4-20 x 5
21	1747166	4	/P	Set Screw, 1/4-28 x 3/8
22	1915055	2	/P	Dust Cover
23	1918052	1	S	Oil Seal, Input
24	1983713	2	/P	Felt Washer
	986-04001	1		Gearbox complete