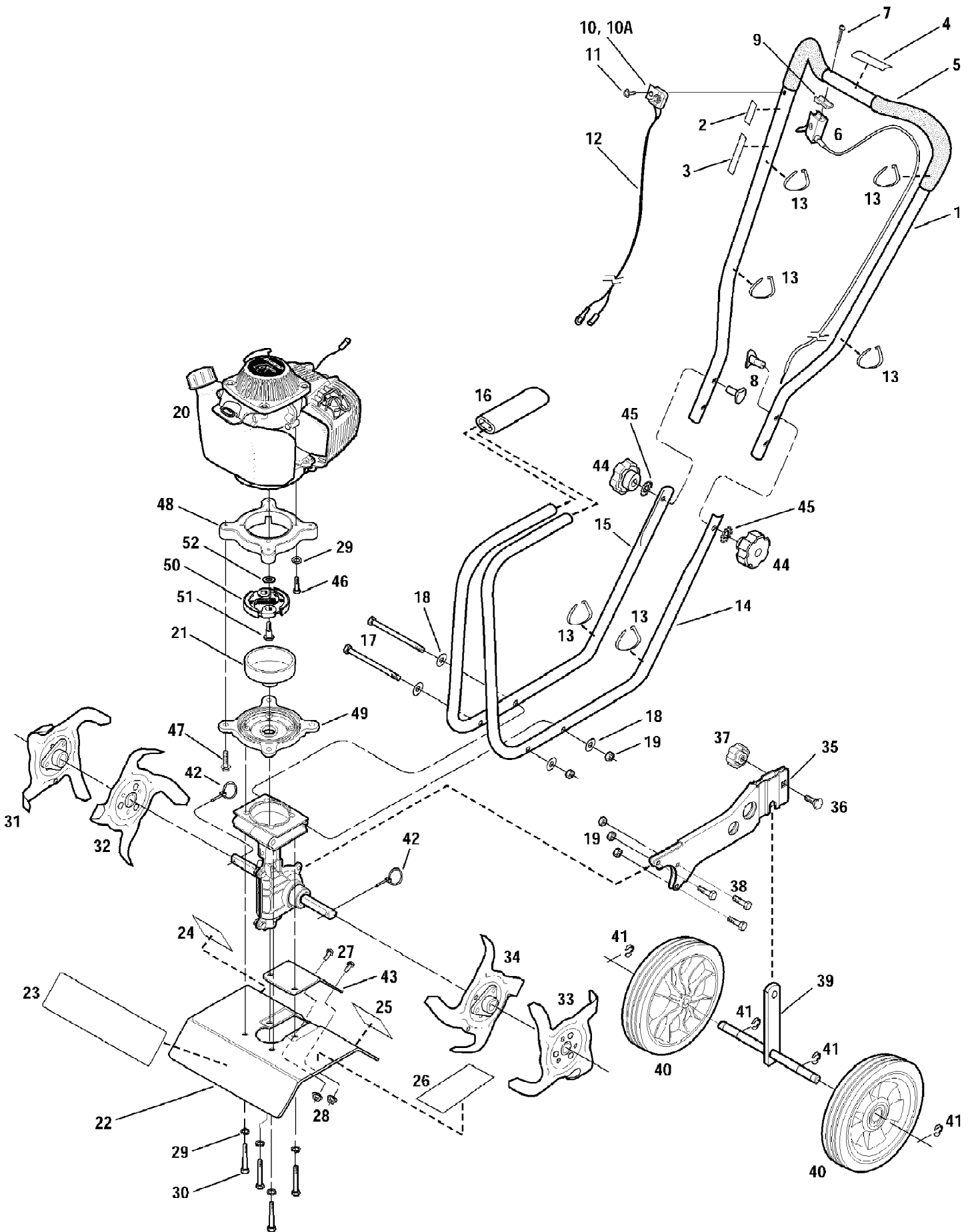


12334 Tiller / Edger
General Assembly



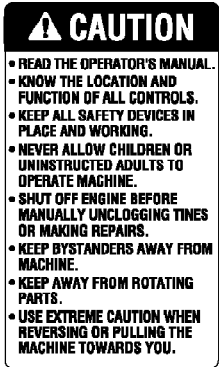
Ref #	Part Number	Qty	S/P/F	Description
1	1918087	1	S	Handlebar Assy. (Incl. Refs. 2, 3, 4 & 5)
2	1909936	1		Decal - On/Off Ignition Switch
3	1909939	1		Decal - Starting Stabilization
4	1918221	1		Decal - Throttle/Tines Control Lever Operation
5	1917451	2		Handlebar Grip, PVC
6	1917755	1	S	Throttle Lever and Cable
7	1750608	1	/P	Pan Hd. Screw, #10-16 x 1-1/2
8	1731025	2	/P	Saddle Hd. Screw, 5/16-18 x 2
9	1909775	1	/P	Spacer, Throttle Lever
10	1983718	1	/P	On/Off Ignition Switch
10A	1981012001	1	/P	Bracket - On/Off Ignition Switch
11	1766503	1		Phillips Hd. Screw, #12-24
12	1918051	1	/P	Wire Assy. - On/Off Ignition Switch
13	1763682	6	/P	Plastic Wire Tie
14	1917576001	1	/P	Lower Handlebar - Left-Side
15	1917575001	1		Lower Handlebar - Right-Side
16	1909720	1	/P	Foam Sleeve
17	1983663	2	/P	Hex Hd. Screw, 1/4-20 x 5
18	1107381	2	S	Flat Washer, 1/4-20
19	1817146	5	S	Hex Locknut, 1/4-20
20		1		Engine Order parts from your local authorized engine dealer. Refer to engine nameplate for model/type number.
21	1917531	1	S	Clutch Drum and Hub
22	1918124	1	/P	Tine Shield (Incl. Refs. 23, 24, 25 & 26)
23	1917773	1		Decal - Logo
24	1904553	1	/P	Decal - Warning, Rotating Tines
25	1904549	1		Decal - Warning, Hot Surfaces
26	1904552	1	/P	Decal - Caution, Operation Hazards
27	1186292	2		Hex Hd. Screw, #10-24 x 1/2
28	1186387	2	/P	Flange Locknut, #10-24
29	1100241	8	S	Lock Washer, 1/4-20
30	1100807	4		Hex Cap Screw, 1/4-20 x 2
31	1909540	1	/P	Outer Tine - Right-Hand Side
32	1909539	1	/P	Inner Tine - Right-Hand Side
33	1909712	1	/P	Outer Tine - Left-Hand Side
34	1909711	1	/P	Inner Tine - Left-Hand Side
35	1909680001	1	/P	Wheel Bracket
36	90077	1		Carriage Bolt
37	1909835	1	/P	Knob
38	1100069	3	S	Hex Hd. Screw, 1/4-20 x 1
39	1909517001	1		Axle
40	1909853	2	/P	Wheel
41	9532	4	S	E-Ring
42	1904321	2	S	Ring Lock Pin
43	1981022010	1	/P	Tine Hood Cover
44	1763767	2		Knob
45	1177038	2	/P	Lock Washer, 5/16
46	90041	4		Hex. Hd. Screw, M6 x 20
47	1186332	4		Hex Flange Screw, 5/16-18 x 1-1/4
48	1917530	1		Adapter Plate - Engine

12334 Tiller / Edger
General Assembly

Page 3 of 7

Ref #	Part Number	Qty	S/P/F	Description
49	1917529	1	/P	Adapter Plate - Transmission
50	1918365	1	S	Clutch Assy. (Incl. Refs. 55 and 56)
51		2		Hex Hd. Screw, M8 Not available separately.
52		2		Flat Washer, M8 x M17 Not available separately.
	1983648	2	/P	Bushing - Long Not shown. In hardware bag provided with unit.
	12575	1		Power Lawn Rake Attachment OPTIONAL ATTACHMENTS
	12574	1		Lawn Aerator Attachment OPTIONAL ATTACHMENTS
	12601	1		Edger Attachment OPTIONAL ATTACHMENTS

Decals are not shown at full size.



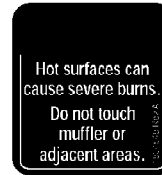
On top, left-side tine shield



On top of handlebar



On rear, right-side tine shield



On rear, left-side tine shield



On right-side handlebar



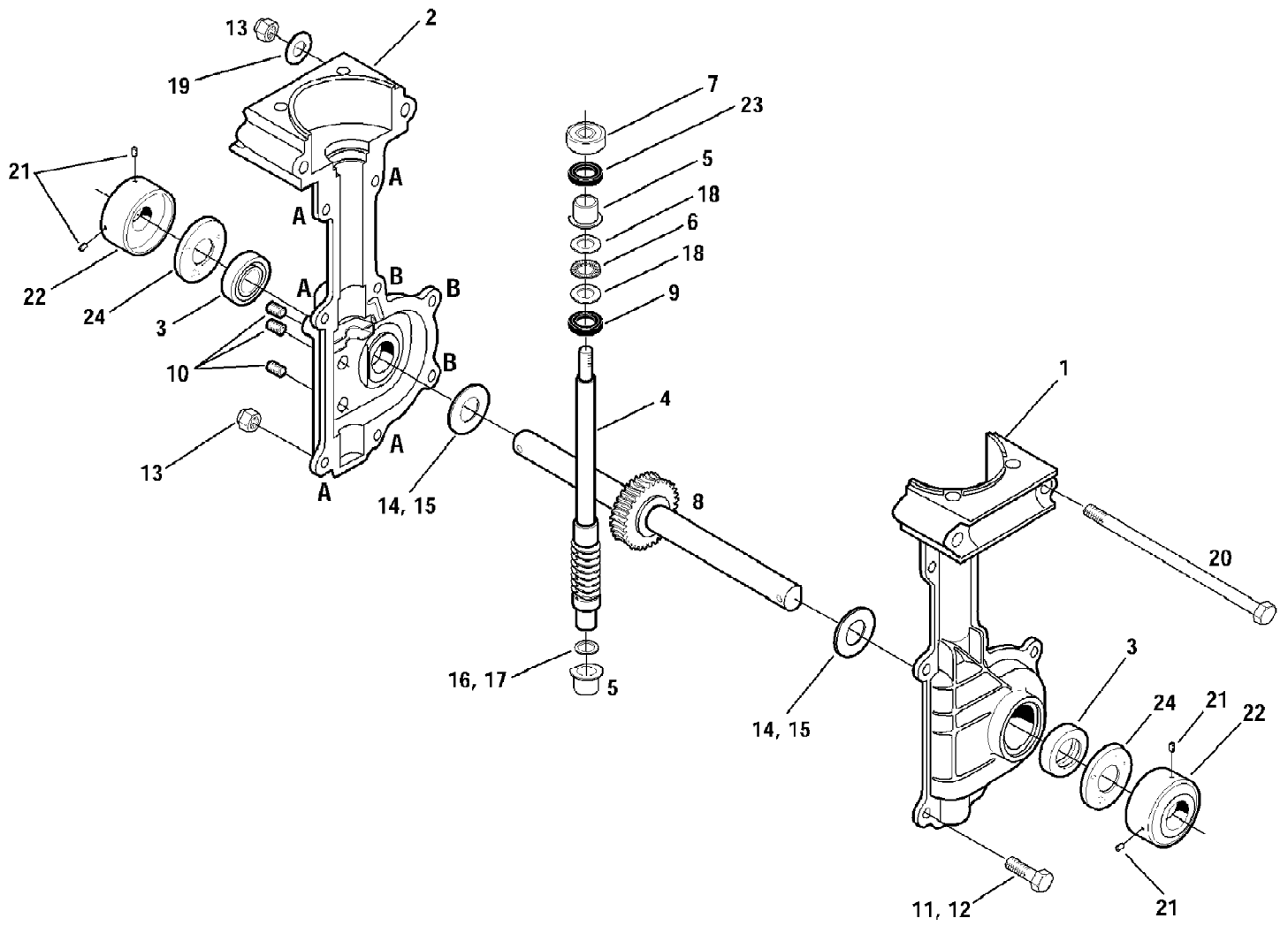
On right-side handlebar

12334 Tiller / Edger
Safety And Operating Decals

Page 5 of 7

Ref #	Part Number	Qty	S/P/F	Description
	1909936	1		Decal - On/Off Ignition Switch
	1909939	1		Decal - Starting Stabilization
	1918221	1		Decal - Throttle/Tines Control Lever Operation
	1917773	1		Decal - Logo
	1904553	1	/P	Decal - Warning, Rotating Tines
	1904549	1		Decal - Warning, Hot Surfaces
	1904552	1	/P	Decal - Caution, Operation Hazards

12334 Tiller / Edger
Transmission Assembly



12334 Tiller / Edger
Transmission Assembly

Page 7 of 7

Ref #	Part Number	Qty	S/P/F	Description
1	1915039	1	/P	Transmission Case - left-side. (Incl. pressed-in bushing)
2	1915040	1	/P	Transmission Case - right-side. (Incl. pressed-in bushing)
3	1983632	2	S	Oil Seal
4	1918308	1	/P	Worm Input Shaft Assembly
5	1983731	2	/P	Input Bearing
6	1983636	1	/P	Thrust Bearing
7	1983637	1	/P	Ball Bearing
8	1904416	1	/P	Shaft Assembly. (Incl. pressed-on worm gear and two ring lock pins)
9	1909923	1	S	Oil Seal, Input
10	1185741	3	S	Plug, 1/8
11	1111600	5	S	Hex Screw, 1/4-20 x 7/8 (five locations, identified as "A" on transmission case)
12	1100069	3	S	Hex Screw, 1/4-20 x 1 (three locations, identified as "B" on transmission case)
13	1817146	8	S	Locknut, Nyloc, 1/4-20
14	1983635	A/R	/P	Thrust Washer, Output (.050")
15	1983640	A/R		Thrust Washer, Output (.040")
16	1983641	A/R	/P	Thrust Washer, Input (.020")
17	1983642	A/R	S	Thrust Washer, Input (.035")
18	1983638	2	/P	Thrust Washer
19	1107381	2	S	Flat Washer, 1/4
20	1983663	2	/P	Hex Hd. Screw, 1/4-20 x 5
21	1747166	4	/P	Set Screw, 1/4-28 x 3/8
22	1915055	2	/P	Dust Cover
23	1918052	1	S	Oil Seal, Input
24	1983713	2	/P	Felt Washer