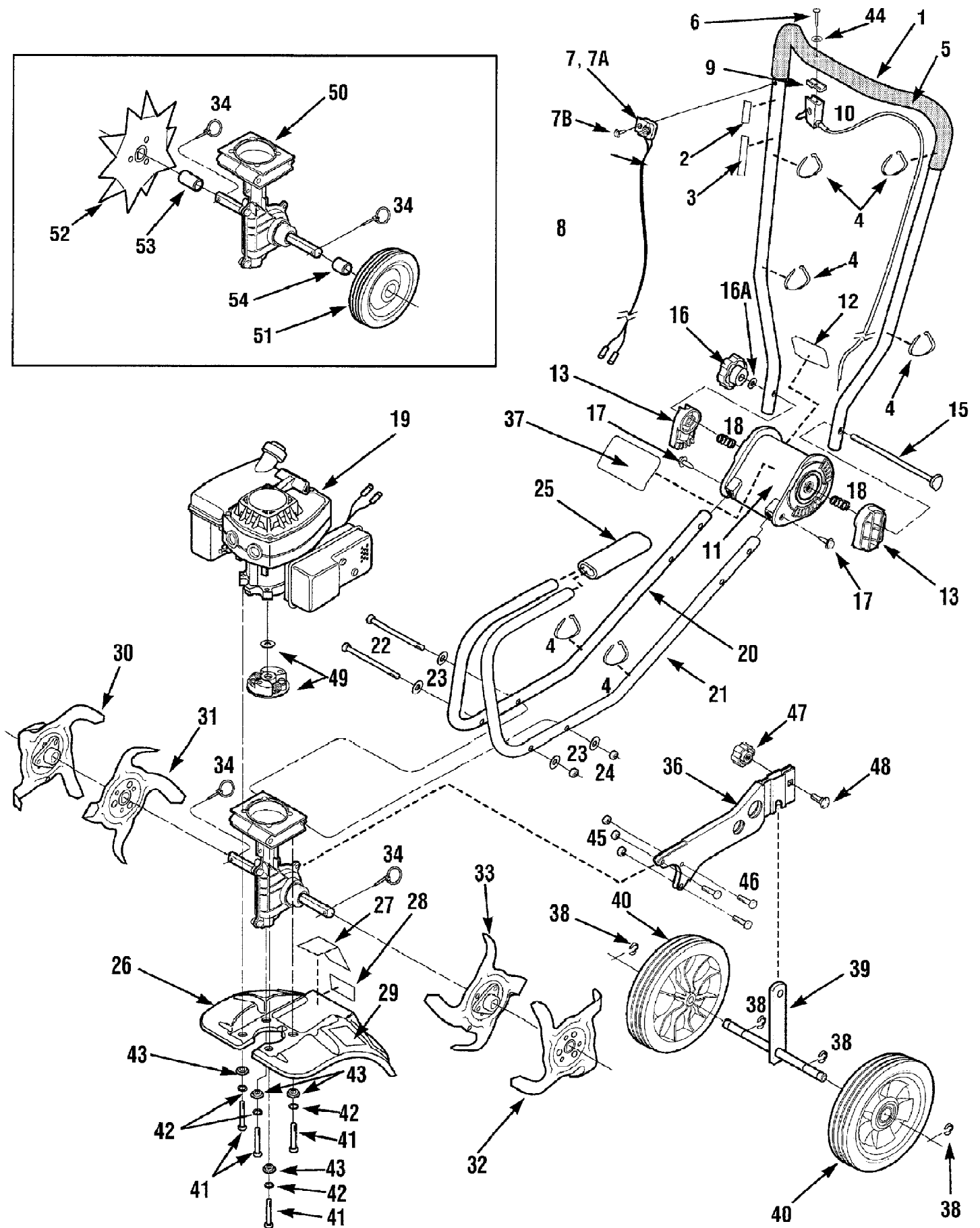
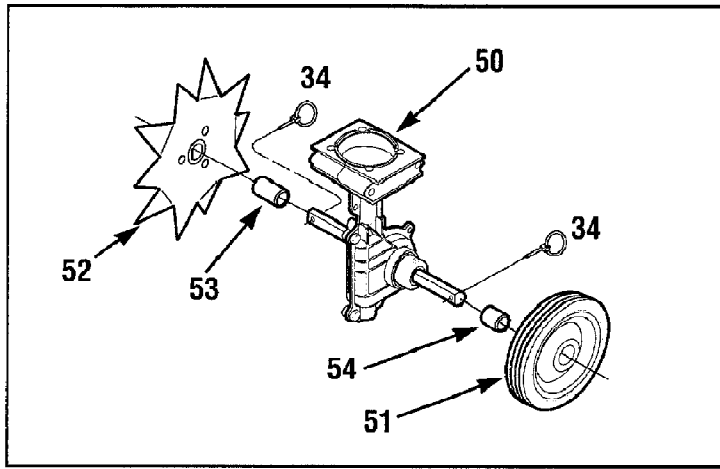


12215 2 HP Tiller / Edger (S/N 122151100101-122151199999)  
General Assembly



Ref #	Part Number	Qty	S/P/F	Description
1	1903775	1		Upper Handlebar Assy Incl Ref. #2, #3, #5
2	1909936	1		Decal, On/Off Ignition Switch
3	1909939	1		Decal, Starting Stabilization
4	1763682	7	/P	Tie, Plastic
5	1917451	2		Handlebar Grip, PVC
6	1750608	1	/P	Screw, #10-16 x 1-1/2"
7	1983718	1	/P	Switch, Engine Ignition
7A	1981012001	1	/P	Bracket Switch
7B	1766503	1		Screw, Phillips Hd., #12-24
8	1909812	1		Wire, Engine Ignition On/Off
9	1909775	1	/P	Spacer, Throttle Control
10	1909794	1		Lever and Cable Assy, Throttle
11	1904129	1	S	Handlebar Pivot Assy. (Incl. Ref. #12 & #37)
12	1909935	1	/P	Decal, Control Lever
13	1909702	2		Ratchet, Handlebar Pivot
15	1909722	1	/P	Bolt, Handlebar Pivot
16	1763767	1		Knurled Knob, Handlebar Pivot
16A	1107382	1	/P	Washer, Flat, 5/16"
17	1904193	2		Screw, Slotted Hex Hd., 1/4"-14 x 3/4"
18	1909766	2		Spring, Handlebar Pivot
19		1		Engine, 2HP Tecumseh (Contact your Authorized Engine Dealer)
20	1909670001	1		Lower Handlebar, Right Side
21	1909669001	1		Lower Handlebar, Left Side
22	1983663	2	/P	Bolt, Hex Hd., 1/4"-20 x 5"
23	1107381	4	S	Flat Washer, 1/4" I.D.
24	1817146	2	S	Locknut, 1/4"-20
25	1909720	1	/P	Foam Sleeve, Lower Handlebar
26	1916443	1		Hood Assy. Incl. Ref, #27, #28 & #29
27	1904552	1	/P	Decal, Warning
28	1904553	1	/P	Decal, Warning
29	1904549	1		Decal, Hot Surface Warning
30	1909540	1	/P	Tine, Outer, Right-Hand Side
31	1909539	1	/P	Tine, Inner, Right-Hand Side
32	1909712	1	/P	Tine, Outer, Left-Hand Side
33	1909711	1	/P	Tine, Inner, Left-Hand Side
34	1904321	2	S	Ring Lock Pin
36	1909680	1		Wheel Bracket
37	1917627	1		Logo Decal
38	1729775	4	S	E-Rings
39	1909517001	1		Axle
40	1909853	2	/P	Wheel
41	1100807	4		Screw, Hex Cap, 1/4"-20 x 2"
42	1100241	4	S	Washer, Lock 1/4"-20
43	1909838	4		Spacer, Engine Mounting
44	94019	1		Washer, Flat
45	1817146	3	S	Locknut, 1/4"-20
46	1100069	3	S	Screw, 1/4"-20 x 1"
47	1949835	1		Knob
48	90077	1		Carriage Bolt
49	1909487	1	S	Clutch Rotor with Washer

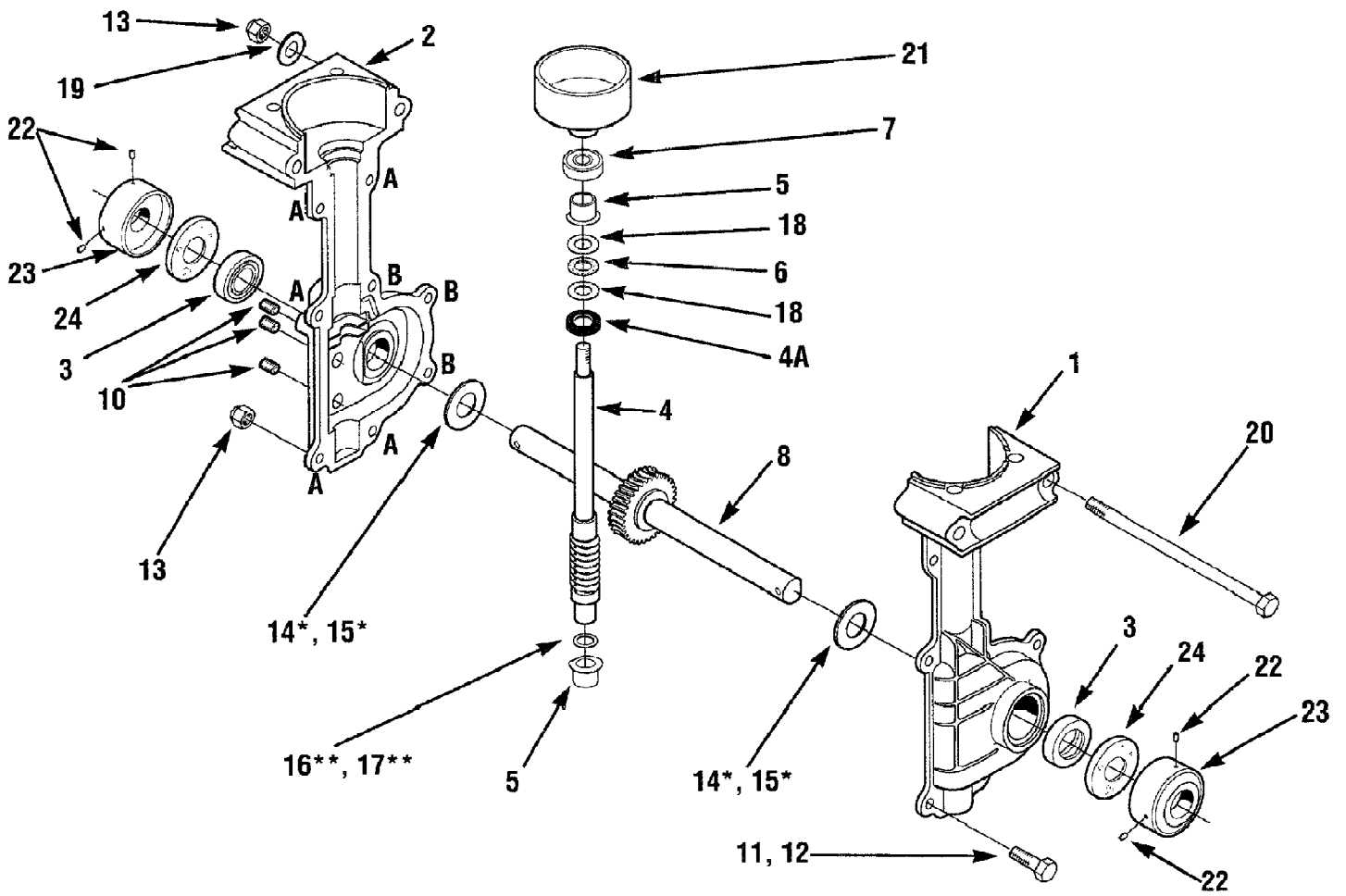
12215 2 HP Tiller / Edger (S/N 122151100101-122151199999)  
General Assembly

Page 3 of 5

Ref #	Part Number	Qty	S/P/F	Description
50	1909803	1	S	Transmission Assembly (See "Transmission Assembly Components")
34	1893445	2	S	Flat Washer EDGER ATTACHMENT COMPONENT
?34A	1177548	2	S	Lockwasher, External Tooth, 5/16" EDGER ATTACHMENT COMPONENT
?35	1909835	2	/P	Knurled Retaining Knob, Tire Shaft EDGER ATTACHMENT COMPONENT
51	1903777	1	/P	Edger Wheel EDGER ATTACHMENT COMPONENT
52	1903781	1		Edger Tine EDGER ATTACHMENT COMPONENT
53	1983648	1	/P	Long Bushing EDGER ATTACHMENT COMPONENT
54	1903778	1	/P	Short Bushing EDGER ATTACHMENT COMPONENT
	12575	1		Power Lawn Rake Attachment ADDITIONAL ATTACHMENT
	12574	1		Lawn Aerator Attachment ADDITIONAL ATTACHMENT

12215 2 HP Tiller / Edger (S/N 122151100101-122151199999)  
Transmission Assembly Components

Page 4 of 5



12215 2 HP Tiller / Edger (S/N 122151100101-122151199999)  
Transmission Assembly Components

Page 5 of 5

Ref #	Part Number	Qty	S/P/F	Description
1	1915039	1	/P	Transmission Case, with pressed-in bushing, left-side
2	1915040	1	/P	Transmission Case, with pressed-in bushing, right-side
3	1983632	2	S	Oil Seal
4	1983634	1	S	Shaft, worm-input
4A	1909923	1	S	Oil Seal, input
5	1983731	2	/P	Bearing, input
6	1983636	1	/P	Bearing, thrust
7	1983637	1	/P	Ball Bearing
8	1904416	1	/P	Shaft Assembly Includes pressed-on worm gear and two ring lock pins
10	1185741	3	S	Plug, 1/8"
11	1111600	5	S	Screw, 1/4"-20 x 7/8" (Five locations, identified as "A" on transmission case)
12	1100069	3	S	Screw, 1/4"-20 x 1" (Three locations, identified as "B" on transmission case)
13	1817146	8	S	Lock Nut, Nyloc, 1/4"-20
14	1983635	As Req'd.	/P	Thrust Washer, output (.050")
15	1983640	As Req'd.		Thrust washer, output (.040")
16	1983641	As Req'd.	/P	Thrust Washer, input (.020")
17	1983642	As Req'd.	S	Thrust Washer, input (.035")
18	1983638	2	/P	Thrust washer
19	1107381	2	S	Flat Washer, 1/4"
20	1983663	2	/P	Screw, Hex Hd., 1/4"-20 x 5"
21	1909486	1	/P	Clutch Drum and Hub
22	1747166	4	/P	Set Screw, 1/4"-28 x 3/8"
23	1915055	2	/P	Dust Cover
24	1983713	2	/P	Felt washer