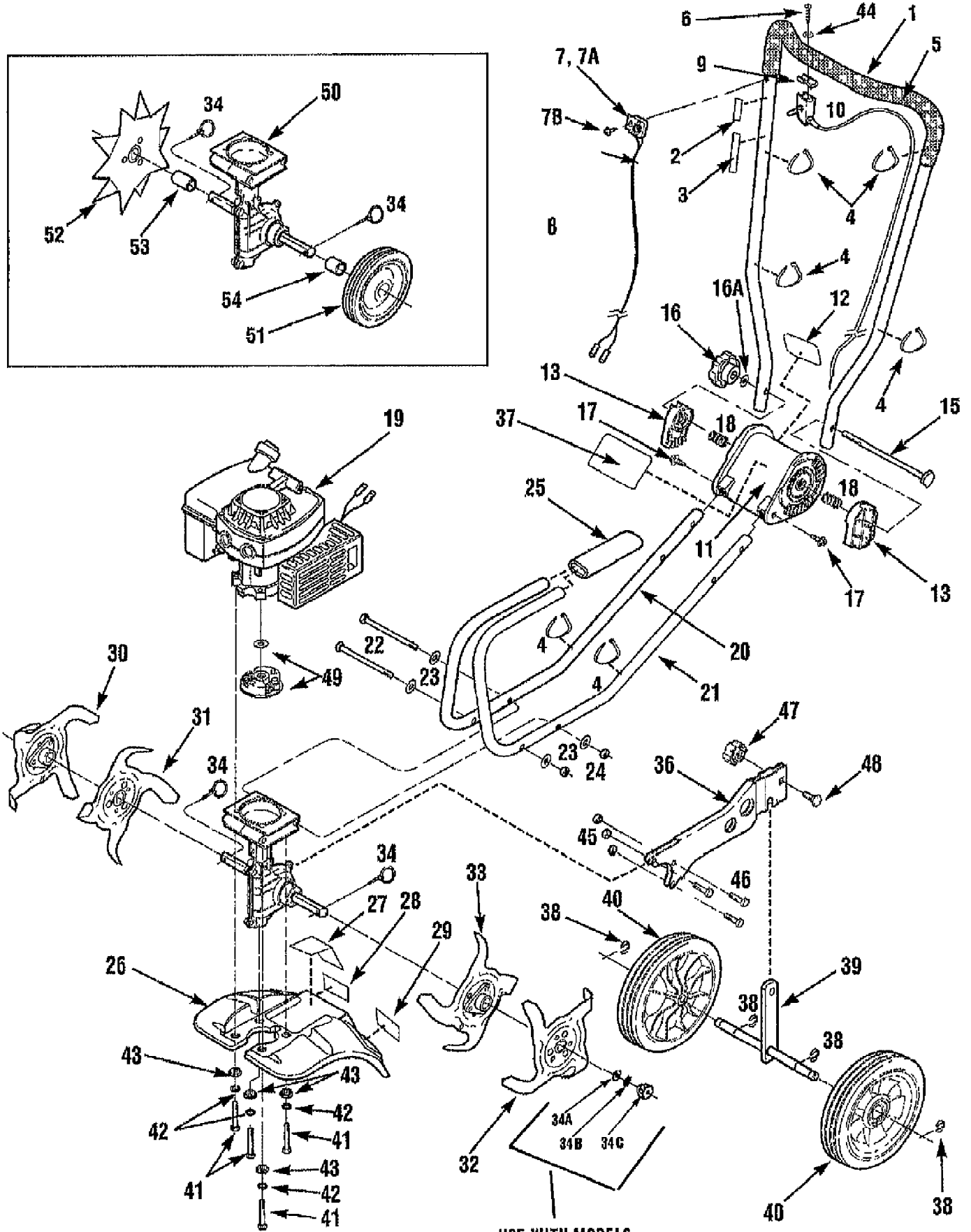
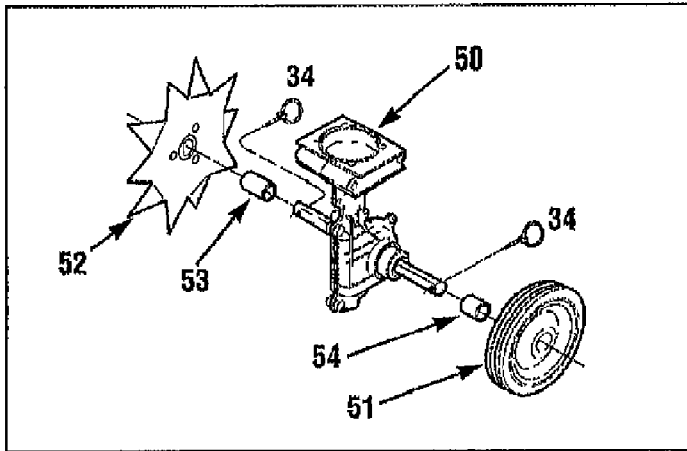


12097 2HP W/EDGER ATTACHMENT (S/N 120970100101-UP)  
MAIN ASSEMBLY



USE WITH MODELS  
120970300100 AND BELOW

12097 2HP W/EDGER ATTACHMENT (S/N 120970100101-UP)  
MAIN ASSEMBLY

Page 2 of 9

Ref #	Part Number	Qty	S/P/F	Description
1	1903775	0		ASSM-H/BAR W/DECALS/GRIP (INC. #2,3,5)
2	1909936	0		DECAL-OFF/ON (SM TLR)
3	1909939	0		DECAL-STABILIZE/STARTING
4	1763682	0	/P	TIE-CABLE
5	1904320	0		SLEEVE-UPPER H/BAR
6	1750608	0	/P	SCR-PHD PHIL #10-16X1.5
7	1983718	0	/P	SWITCH-IGN. 96506
7A	1981012001	0	/P	BRKT-SWITCH PNT
7B	1766503	0		SCR-PH M12-24X.63 THFRM ZP
8	1909812	0		HARNESS-WIRE ASSM
9	1909775	0	/P	SPACER-THROTTLE CONTROL
10	1909794	0		CABLE-THROTTLE CONTROL
11	1904129	0	S	ASSM-H/BAR PIVOT W/DECALS
12	1909935	0	/P	DECAL-CONTROL LEVER
13	1909702	0		QUADRANT-HANDLEBAR
?14	0	0		REF. NUMBER NOT USED
15	1909722	0	/P	SCR-CURV HD 5/16-18X7.88
16	1909250	0		KNOB-HANDLEBAR
16A	1107382	0	/P	WASHER-FLAT 5/16 SAE
17	1904193	0		SCR-SELF TAP 1/4-14X.75
18	1909766	0		SPRING-H/BAR ASSM
19	0	0	F	ENGINE, 2HP TECUMSEH
20	1909670001	0		H/BAR-LWR RT PNT
21	1909669001	0		H/BAR-LWR LT PNT
22	1983663	0	/P	SCR-HH 1/4-20X5
23	1107381	0	S	WASHER-FLAT 1/4 SAE
24	1817146	0	S	NUT-LK 1/4-20
25	1909720	0	/P	GRIP-LWR H/BAR
26	1904203	0	/P	HOOD-W/DECALS T/B SM TLR
27	1904552	0	/P	DECAL-CAUTION ANSI SM TLR
28	1904553	0	/P	DECAL-WARNING ANSI SM TLR
29	0	0		REF. NUMBER NOT USED
30	1909540	0	/P	ASSM-BOLO RT OUTER
31	1909539	0	/P	ASSM-BOLO RT INNER
32	1909712	0	/P	ASSM-BOLO LT OUTER
33	1909711	0	/P	ASSM-BOLO LT INNER
34	1904321	0	S	PIN-.188X.125 LYNCH SM TLR
34A	1893445	0	S	WASHER-FLAT
34B	1177548	0	S	WASHER-LK .312 EXT TOOTH
34C	1909835	0	/P	KNOB 5/16-18 INSERT
?35	0	0		REF. NUMBER NOT USED
36	1909680	0		ASSY-WHEEL BRKT SM/TILLER
37	1909943	0		DECAL-LOGO T/B SM TLR
38	1729775	0	S	RING-RET
39	1909517001	0		AXLE-WHEEL PNT
40	1909853	0	/P	WHEEL-SM TILLER
41	1100807	0		SCR-HH 1/4-20X2.0 G5 ZP
42	1100241	0	S	WASHER-LK .25 ZP
43	1909838	0		SPACER-ENGINE MOUNT
44	94019	0		WASHER-#10 TYPE B PLN ZP
45	1817146	0	S	NUT-LK 1/4-20
46	1100069	0	S	SCR-HH 1/4-20X1.0

12097 2HP W/EDGER ATTACHMENT (S/N 120970100101-UP)  
MAIN ASSEMBLY

Page 3 of 9

Ref #	Part Number	Qty	S/P/F	Description
47	1909835	0	/P	KNOB 5/16-18 INSERT
48	90077	0		SCR-CAR 5/16-18X.75 G5
49	1909487	0	S	ASSM-CLUTCH ROTOR W/WASHER
50	1909803	0	S	ASSM-TRANS (MINI TLR)
34	1893445	0	S	WASHER-FLAT
34A	1177548	0	S	WASHER-LK .312 EXT TOOTH
?35	1909835	0	/P	KNOB 5/16-18 INSERT
51	1903777	0	/P	ASSM-TIRE/WHEEL
52	1903781	0		ASSM-TINE BORDER EDGER
53	1983648	0	/P	SPACER-TINE 1.0X.8X1.31LG
54	1903778	0	/P	SPACER-1.0 X 08X 1.0
	12575	0		RAKE-POWER T/B SM TLR
	12574	0		AERATOR-T/B SM TLR

A.



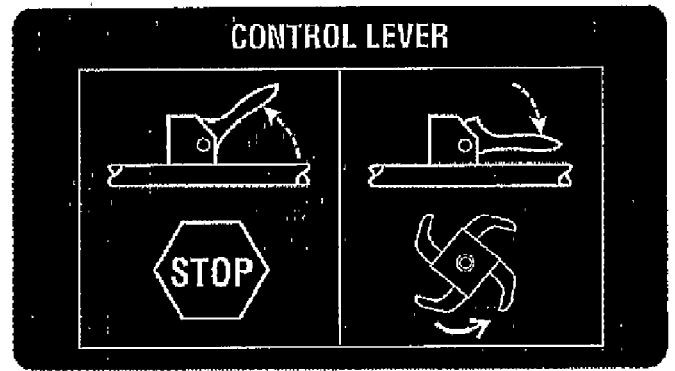
B.



C.



D.



E.

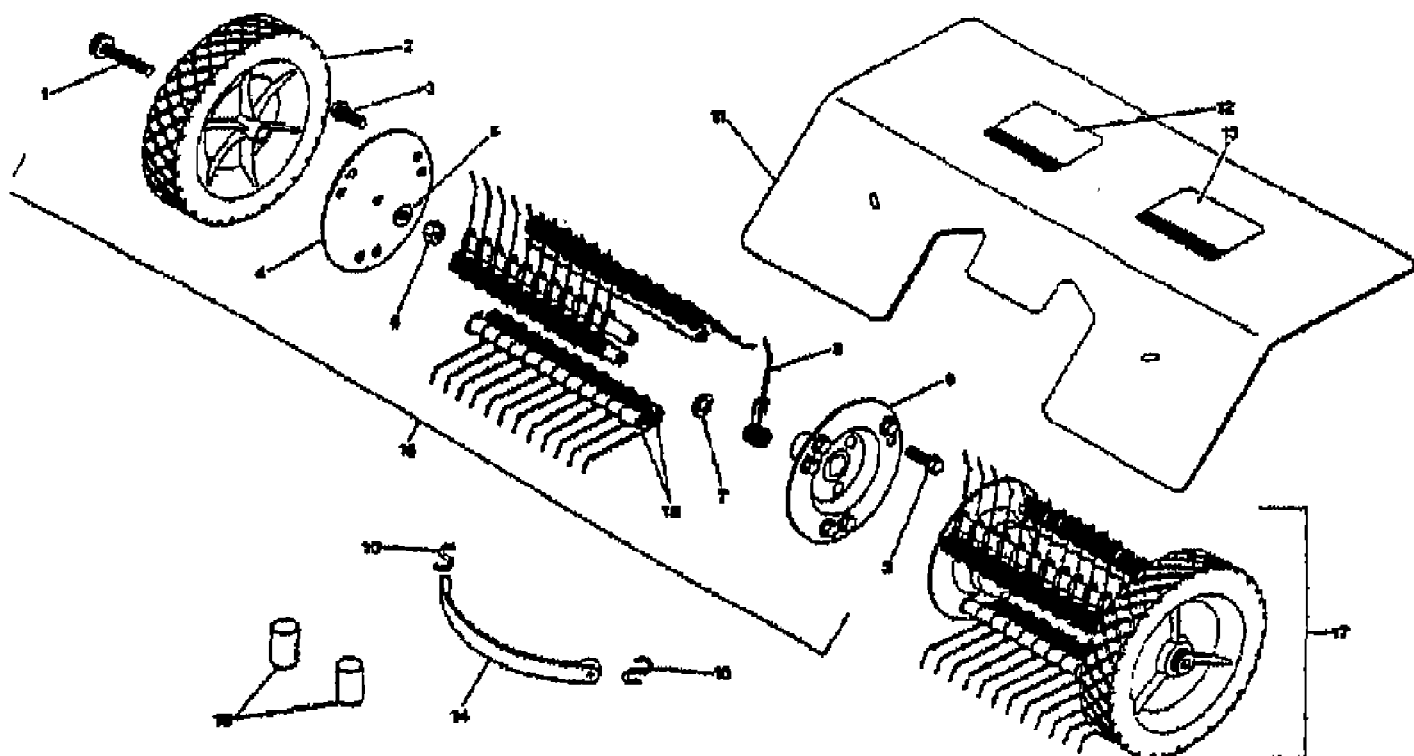


12097 2HP W/EDGER ATTACHMENT (S/N 120970100101-UP)  
OPERATING AND SAFETY DECALS

Page 5 of 9

Ref #	Part Number	Qty	S/P/F	Description
A	1904552	0	/P	DECAL-CAUTION ANSI SM TLR REAR OF HOOD
B	1909936	0		DECAL-OFF/ON (SM TLR) TOP OF HANDLEBARS
C	1909939	0		DECAL-STABILIZE/STARTING TOP OF HANDLEBARS
D	1909935	0	/P	DECAL-CONTROL LEVER HANDLEBAR FOLD
E	1904553	0	/P	DECAL-WARNING ANSI SM TLR REAR OF TINE HOOD

12097 2HP W/EDGER ATTACHMENT (S/N 120970100101-UP)  
POWER RAKE/LAWN AERATOR ATTACHMENTS

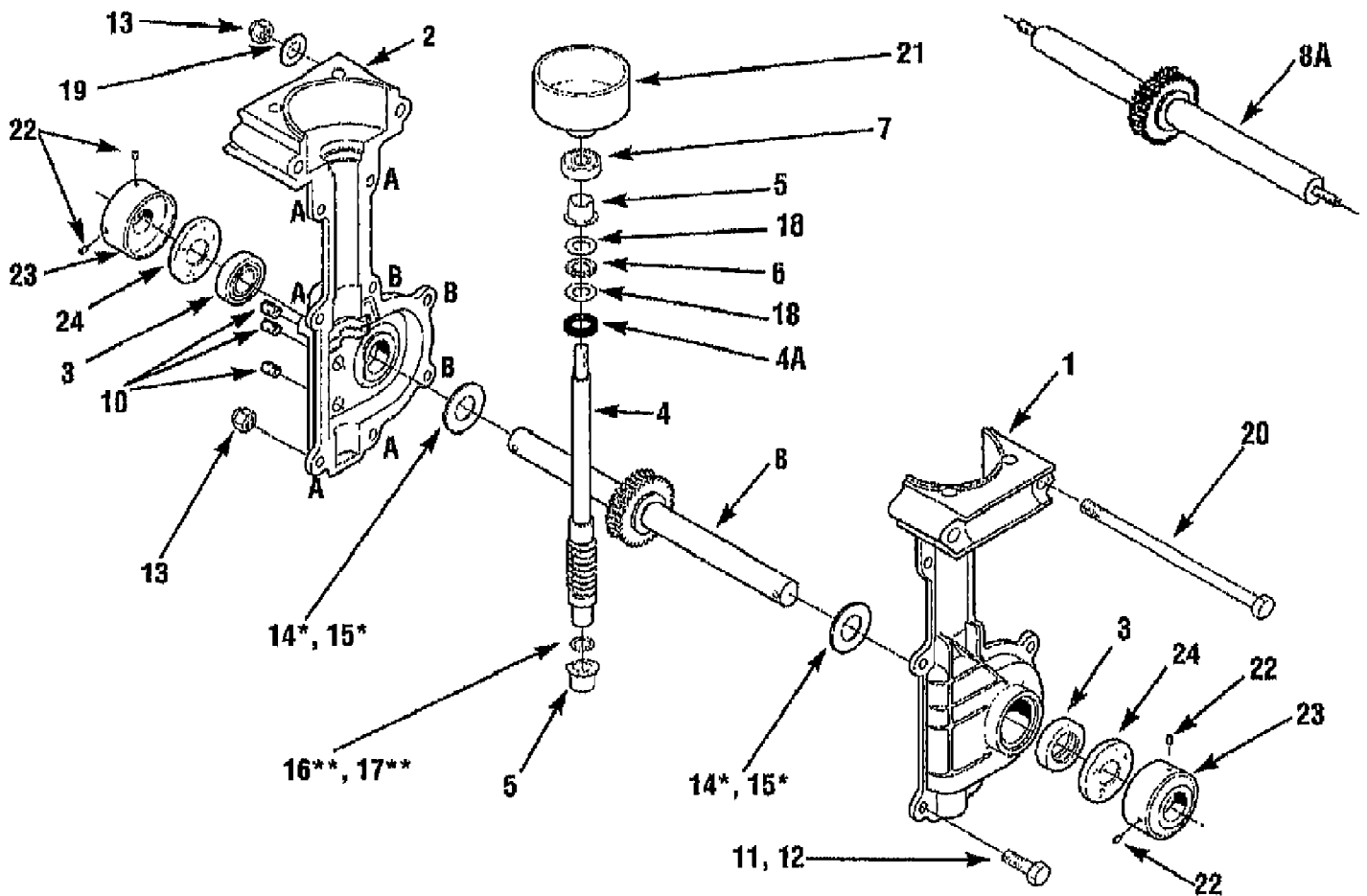


12097 2HP W/EDGER ATTACHMENT (S/N 120970100101-UP)  
POWER RAKE/LAWN AERATOR ATTACHMENTS

Page 7 of 9

Ref #	Part Number	Qty	S/P/F	Description
1	H213909	0		BOLT-SC HD 1/2X1 1/2
2	H213911	0		ASSM-WHEEL & TIRE
3	H213910	0		SCR-WHIZ 5/16-18X3/4 LK
4	H213907	0		END CAP-OUTER
5	1100243	0	S	WASHER-LK .375 @ DEPL
6	1186231	0	S	NUT-HEX 3/8-16 ZP
7	H200830	0		WASHER-FL 1/2 ID-7/8 OD
8	H214174	0		KIT-SPRING TINE (12 SPRING)
8	H214175	0		KIT-SPRING TINE (36 SPRING)
9	H213908	0		END CAP-INNER
10	H214186	0		S-HOOK (DEBRIS SHIELD)
11	1915062	0		ASSM-HOOD W/DECALS
12	1983094	0		DECAL-CAUTION
13	1983095	0		DECAL-WARNING
14	H214187	0		STRAP-DEBRIS SHIELD
15	H213904	0		BAR-SPRING TINE RETAIN
16	H213912	0		ASSM-DETHATCHER RT
17	H213913	0		ASSM-DETHATCHER LT
18	1983648	0	/P	SPACER-TINE 1.0X.8X1.31LG
	1909503	0		Set Screw, Hex Socket

12097 2HP W/EDGER ATTACHMENT (S/N 120970100101-UP)  
TRANSMISSION





12097 2HP W/EDGER ATTACHMENT (S/N 120970100101-UP)  
TRANSMISSION

Page 9 of 9

Ref #	Part Number	Qty	S/P/F	Description
1	1915039	0	/P	ASSM-TRANS CASE LEFT W/PRESSED IN BUSHING
2	1915040	0	/P	ASSM-TRANS CASE RIGHT W/PRESSED IN BUSHING
3	1983632	0	S	SEAL-PINION SHAFT PT/85030/00
4	1983634	0	S	SHAFT-WORM PT/85032/00
4A	1909923	0	S	SEAL-OIL INPUT SHAFT
5	1983731	0	/P	BEARING-INPUT
6	1983636	0	/P	BEARING-THRUST PT/85034/00
7	1983637	0	/P	BEARING-BALL PT/85035/00
?8	1904416	0	/P/F	ASSM-OUTPUT SHAFT
8A	1909482	0	/P/F	ASSM-OUTPUT SHAFT {120970300100 AND BELOW}
?9	0	0		REF. NUMBER NOT USED.
10	1185741	0	S	PLUG-PIPE 1/8 NPT
11	1111600	0	S/F	SCR-HH 1/4-20 X .875
12	1100069	0	S/F	SCR-HH 1/4-20X1.0
13	1817146	0	S	NUT-LK 1/4-20
14	1983635	0	/P	WASHER-THRUST .775X.05 AS REQ'D
15	1983635	0	/P	WASHER-THRUST .775X.05 AS REQ'D
16	1983641	0	/P	WASHER-THRUST .505X.02 AS REQ'D
17	1983642	0	S	WASHER-.76X.5X.04 THRUST AS REQ'D
18	1983638	0	/P	WASHER-THRUST .92X.5X.06
19	1107381	0	S	WASHER-FLAT 1/4 SAE
20	1983663	0	/P	SCR-HH 1/4-20X5
21	1909486	0	/P	ASSM-CLUTCH & DRUM
22	1747166	0	/P	SCR-SET 1/4-28X.38 HXSKT
23	1915055	0	/P	CAP-DUST
24	1983713	0	/P	WASHER-FELT 1.5X.72X.13