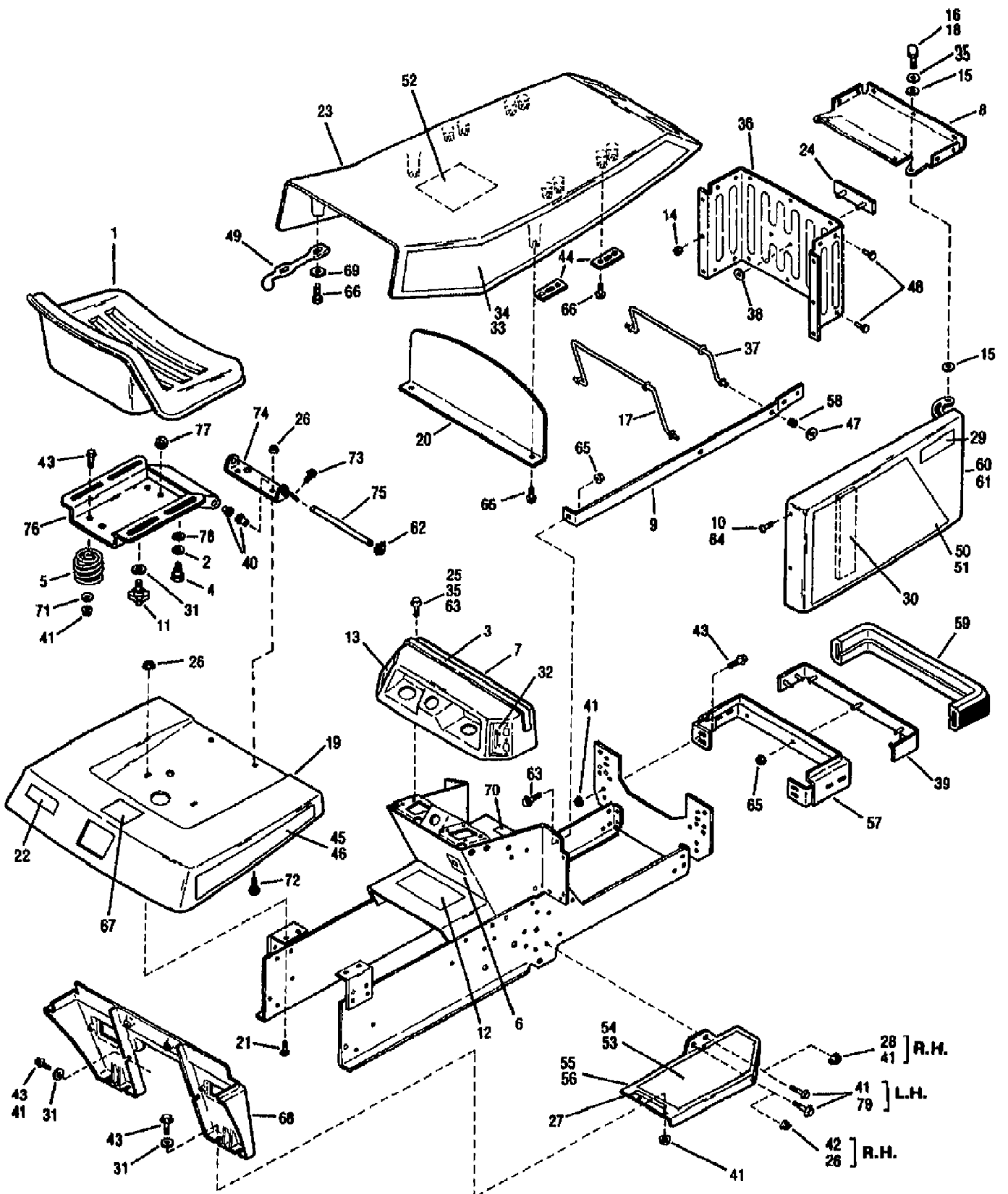


5118HR 1800 (S/N B060100101-B060199999)
BODYWORK & TRIM ASSEMBLY



5118HR 1800 (S/N B060100101-B060199999)
BODYWORK & TRIM ASSEMBLY

Page 2 of 25

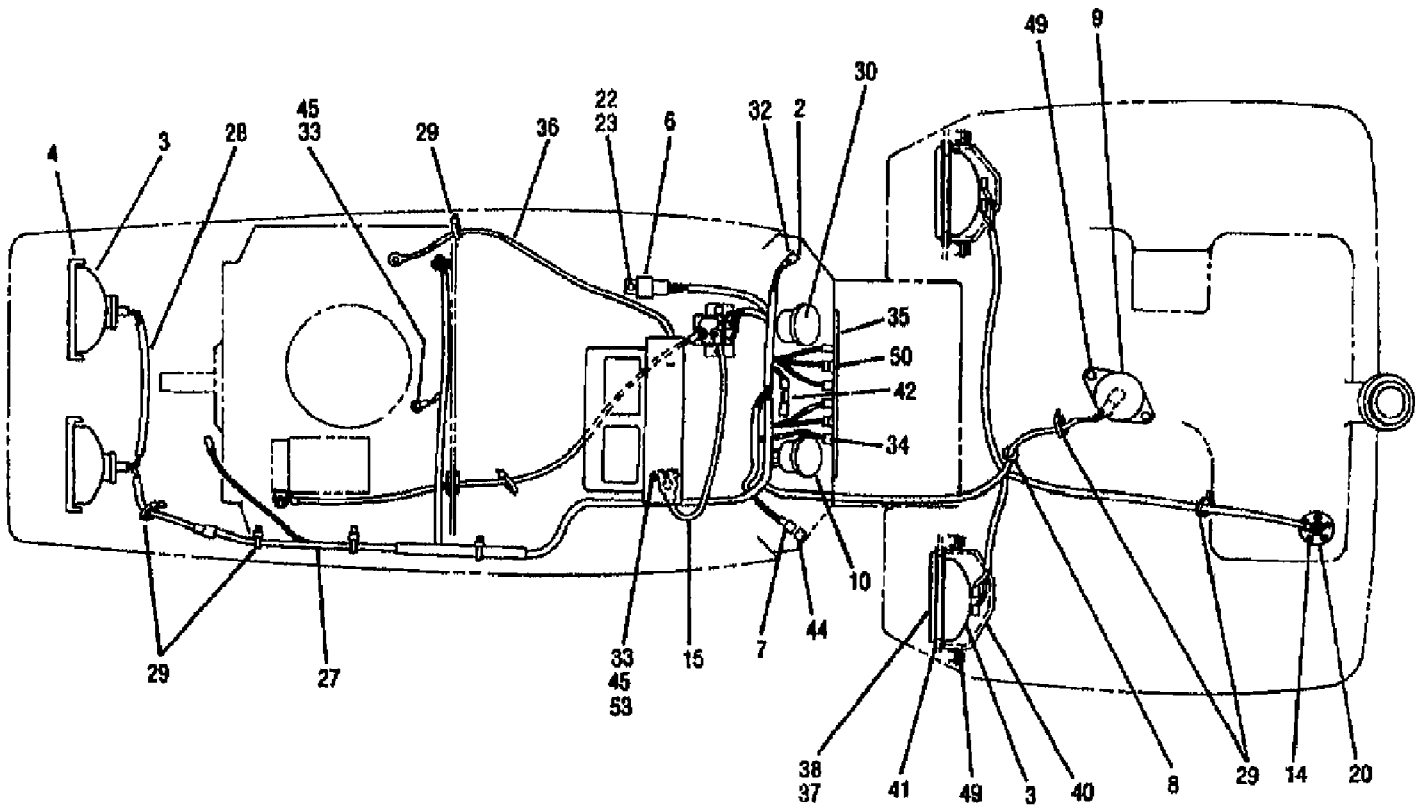
Ref #	Part Number	Qty	S/P/F	Description
1	1757363	0		SEAT
2	1705793	0		WASHER-1.06X.51X.09 NYLON
3	1755516	0		PAD-HOOD
4	1754125	0	/P	SCR-SHLDR 3/8-16X.25 G5ZP
5	1755449	0	/P	SPRING-COMPRESSION
6	1756775	0		DECAL-IGNITION
7	1757362	0		PANEL-INST
8	1755628010	0		CAP-GRILLE
9	1753783010	0		SUPPORT
10	1185986	0	S/F	NUT-SPEED #10
11	1734269	0		KNOB
12	1756773	0		DECAL-INSTRUCTIONS
13	1756777	0		DECAL-CHOKE
14	1185985	0	S/F	NUT W/LKWASHER 10-24 ZP
15	1755714	0		WASHER
16	1100805	0	S/F	SCR-HH 1/4-20X.75 G5 ZP
17	1752901	0		LINK-HINGE
18	1734398	0	S	NUT-HT LK 1/4-20
19	1749821010	0		FENDER
20	1752903	0		BAFFLE-HOOD
21	1186098	0	/P/F	SCR-CARR 5/16-18X.75 G2 ZP
22	1757254	0		DECAL-LOGO
23	1757208	0		HOOD
24	1757361	0	/P	PLATE-LOGO
25	1186389	0	/P	NUT-HF/LK 1/4-20 ZP
26	1186391	0	S	NUT-HFLK 5/16-18 ZP
27	1755522	0		CUSHION
28	1100068	0	S/F	SCR-HH 3/8-16X.75 G5 ZP
29	1757220	0		DECAL-HYDRO
30	1753950	0		BLOCK-SEALING
31	1100256	0	S/F	WASHER-.986X.437X.083 ZP
32	1755931	0		DECAL-THROTTLE
33	1757209	0		DECAL-HOOD LH
34	1757210	0		DECAL-HOOD RH
35	1107381	0	S/F	WASHER-FLAT 1/4 SAE
36	1755515041	0		GRILLE
37	1752900	0		LINK-HINGE
38	1754126	0		NUT-PUSH
39	1755517	0		ASSM-BUMPER STRAP
40	1185779	0		BUSHING
41	1186393	0	/P	NUT-HFLK 3/8-16 ZP
42	1185872	0		SCR-TRUSS HD 5/16-18X.62
43	1186347	0	S	SCR-HFLK 3/8-16X1.00 ZP
44	1752902	0		RETAINER-HINGE LINK
45	1757368	0		DECAL-RH
46	1757367	0		DECAL-LH
47	1753799	0	/P	RETAINER
48	1739918	0		RIVET-POP
49	1727127	0		LATCH-RUBBER
50	1757369	0		DECAL-SIDE COVER LH
51	1757370	0		DECAL-SIDE COVER RH
52	1757206	0		DECAL-SVC INST
53	1757359	0		PAD

5118HR 1800 (S/N B060100101-B060199999)
BODYWORK & TRIM ASSEMBLY

Page 3 of 25

Ref #	Part Number	Qty	S/P/F	Description
54	1757360	0		PAD
55	1752250010	0		FOOTREST-LH
56	1752251010	0		FOOTREST-RH
57	1752181010	0		ASSM-GRILLE SUPT
58	1753792	0		GROMMET
59	1755518	0		BUMPER-EXTRUSION
60	1755496041	0		ASSM-COVER
61	1755498041	0		ASSM-COVER
62	1185257	0	S	RING-RET."E" .300 ID
63	1186309	0	/P	SCR-HH 1/4-20X.625
64	1115815	0	S/F	SCR-TRUSS #10-24 X 5/8
65	1186389	0	/P	NUT-HF/LK 1/4-20 ZP
66	1185130	0	/P	SCR-SEMS MACH
67	1757366	0		DECAL-FUEL
68	1757358	0		SUPT-RUNNING BOARD
?69	1737369	0		WASHER-M10
70	1754143	0		DECAL-WARNING
71	1701055	0	/P/F	WASHER-FLAT 1.25X.406X.179
72	1736098	0	S	BOLT-CARR 5/16-18X.63 ZP
73	1186329	0	S	SCR-HFLK 5/16-18X.75 ZP
74	1755456001	0		BRACKET
75	1755622	0		ROD
76	1755620001	0		ASSM-SEAT SUPPORT
77	1755487	0		GROMMET
?78	1706782	0	/P	WASHER-BOW .74X.52X.01
79	1186345	0	/P	SCR
	1757461	0		PAINT-WHITE 12OZ SPRY CAN
	1754423	0		PAINT-RED SPRAYCAN POWDER

5118HR 1800 (S/N B060100101-B060199999)
ELECTRICAL ASSEMBLY



5118HR 1800 (S/N B060100101-B060199999)
ELECTRICAL ASSEMBLY

Page 5 of 25

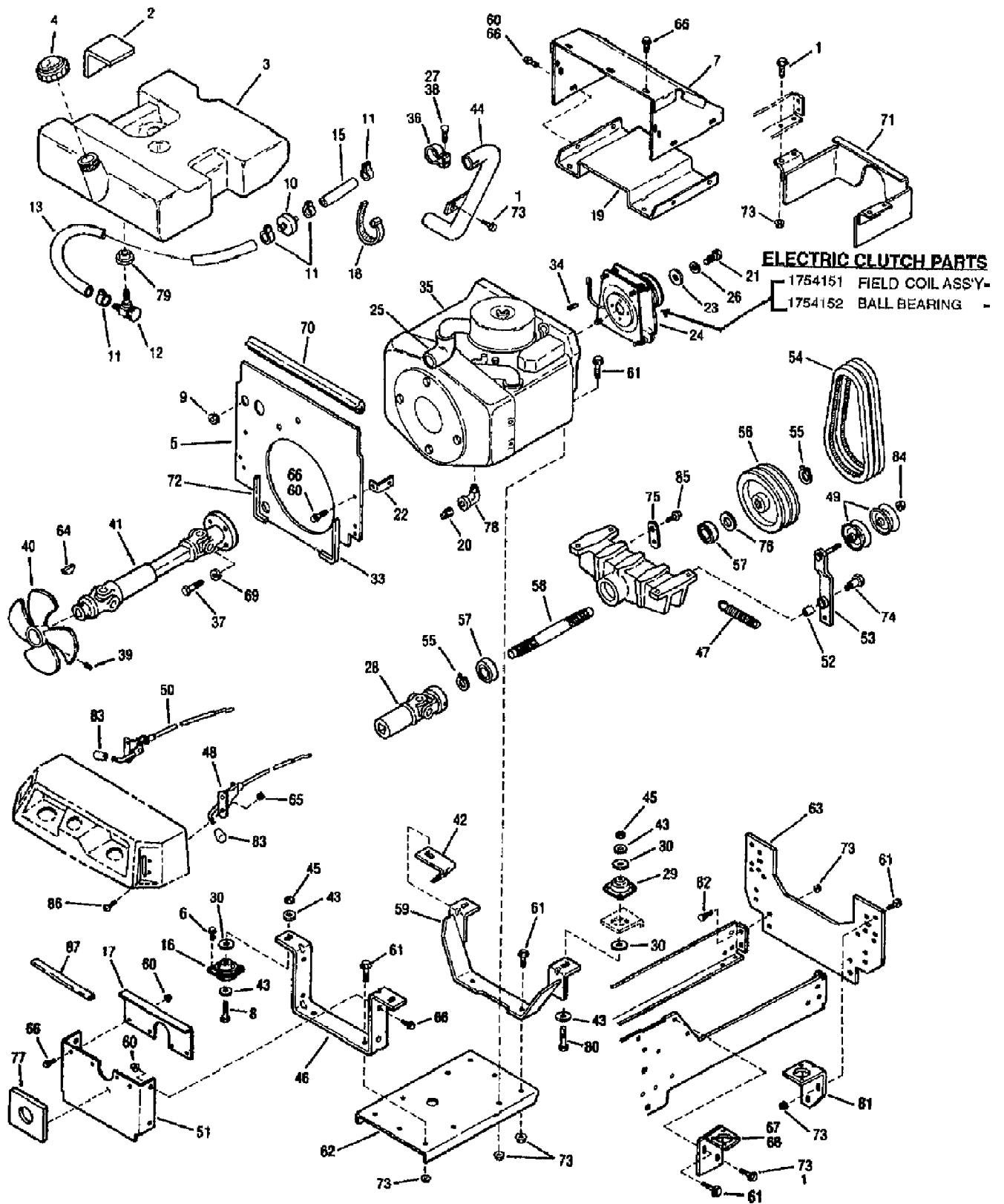
Ref #	Part Number	Qty	S/P/F	Description
?1	1721252	0		CLIP-CLAMP .25 ID
2	1750963	0		SCR-FHP #6-32X.50 ZP
3	1752871	0	/P	ASSM-LIGHT
4	1753788	0		RETAINER
?5	1757207	0		LENSE
6	1749907	0	/P	RELAY-SPEED CONTROL
7	1754189	0		SWITCH-LIGHT
8	1734934	0		GROMMET-RUBBER
9	1752506	0	/P	SWITCH-SEAT
10	1757364	0	S	METER-HOUR
?11	1752840	0		BATTERY
?12	1753782	0		BATTERY-HOLD DOWN
?13	1107381	0	S/F	WASHER-FLAT 1/4 SAE
14	1745778	0		SCR
15	1752841	0		CABLE-BATTERY (+)
?16	1754207	0	S	SWITCH-IGNITION
?17	1753986	0	/P	KEY-IGNITION
?18	1752408	0		TUBING
?19	1756032	0		ASSM-LEAD
20	1755868	0		GAUGE-FUEL SENDER
?21	1753539	0		SOLENOID
22	1115815	0	S/F	SCR-TRUSS #10-24 X 5/8
23	1185985	0	S/F	NUT W/LKWASHER 10-24 ZP
?24	1734398	0	S/F	NUT-HT LK 1/4-20
?25	1755802	0	/P	BATTERY-HOLDDOWN
?26	1732581	0		CABLE-STARTER
27	1755446	0		HARNESS-MAIN
28	1752505	0		HARNESS-HEADLIGHT
29	1735531	0	S	TIE-CABLE NYLON BLACK
30	1755647	0	S	GAUGE-FUEL
?31	1805365	0		WASHER-.44X.189X.05
32	1754608	0	/P	SWITCH-PTO
33	1111599	0	S/F	SCR-HH 1/4-20X.625 G5 ZP
34	1751572	0	S	BULB (MFG NO. GE 73)
35	1757357	0		LENSE
36	1754220	0	/P	CABLE (-)
37	1754241	0		LENSE-LH
38	1754242	0		LENSE-RH
?39	1738462	0	/P	CLUTCH
40	1754259	0		SHIELD-STONE
41	1754191	0		GASKET
42	1752132	0	/P	SENSOR-VOLTAGE
?43	1748723	0	/P	SWITCH
44	1754607	0	S	SWITCH-SPEED CONTROL
45	1100241	0	S/F	WASHER-LK .25 ZP
?46	1751328	0	S	SWITCH
?47	1724492	0		SCR 1/4-20X.5 FL SELF TAP
?48	1729587	0		BUSHING
49	1755349	0		SCR-PHP 1/4-20X.50 ZP
50	1186020	0		SCR-PHP M6-32X.38 ZP
?51	1754194	0		GASKET
?52	1731453	0		SCR-EXHAUST DEFLECTOR
53	1186229	0	S/F	NUT-HEX 1/4-20 ZP

5118HR 1800 (S/N B060100101-B060199999)
ELECTRICAL ASSEMBLY

Page 6 of 25

Ref #	Part Number	Qty	S/P/F	Description
	1743516	0	S	FUSE-30 AMP

5118HR 1800 (S/N B060100101-B060199999)
ENGINE ASSEMBLY



5118HR 1800 (S/N B060100101-B060199999)
ENGINE ASSEMBLY

Page 8 of 25

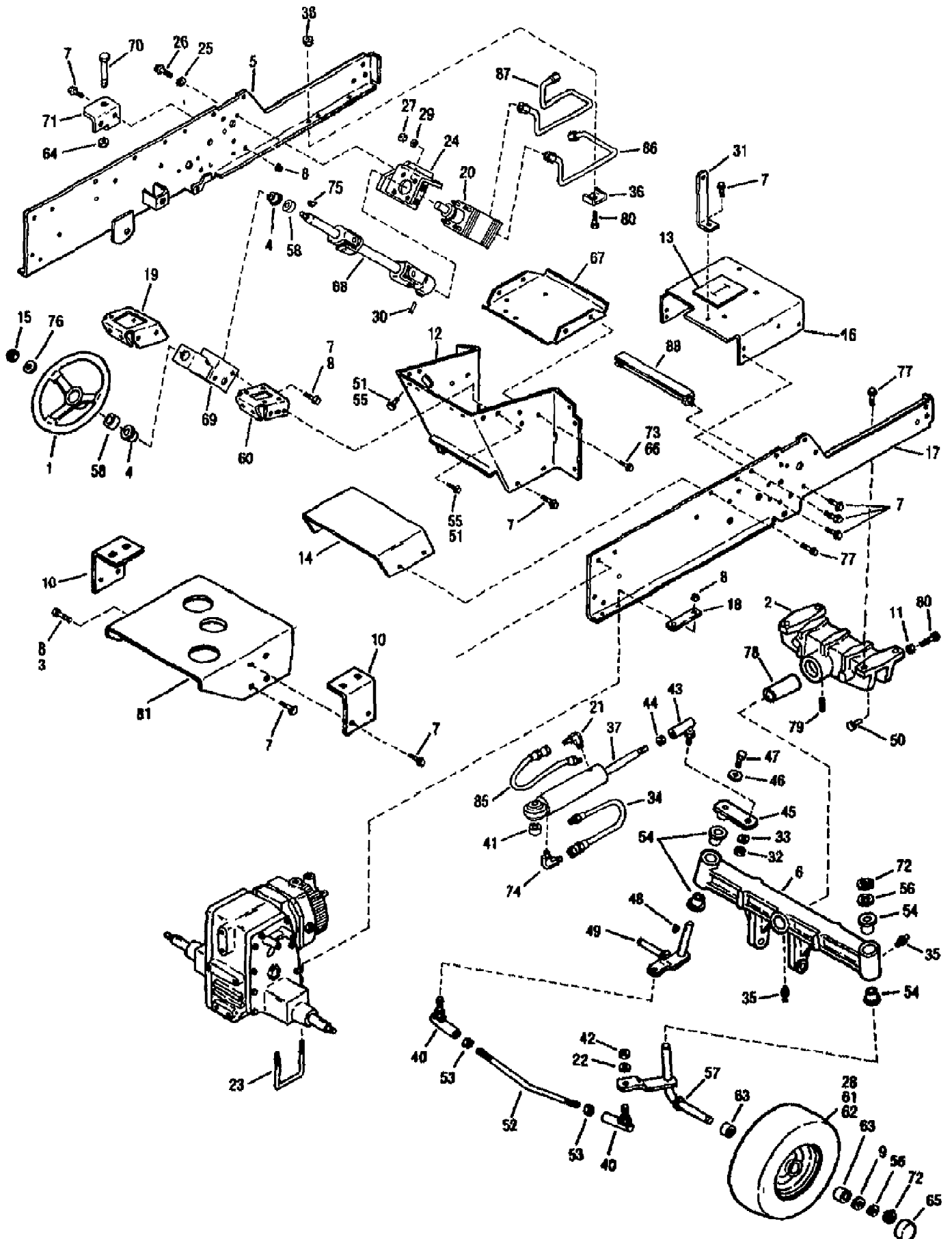
Ref #	Part Number	Qty	S/P/F	Description
1	1186345	0	/P	SCR
2	1749079	0		PAD-FUEL TANK
3	1755888	0		ASSM-FUEL TANK
4	1755726	0		CAP-FUEL
5	1752713010	0		SHIELD-HEAT
6	1185712	0		SCR
7	1753985001	0		ASSM-HEAT SHIELD
8	1100049	0	S/F	SCR-HH 3/8-16X2.25 G5 ZP
9	1729587	0		BUSHING
10	1727491	0	S	FILTER-FUEL
11	1750687	0	S	CLAMP-HOSE
12	1747184	0	S	VALVE-SHUT OFF
13	1735561	0		FUEL LINE
15	1734941	0		LINE-FUEL
16	1725856	0	/P	MOUNT
17	1752725010	0		SHIELD-GRASS
18	1735531	0	S	TIE-CABLE NYLON BLACK
19	1753913001	0		SHIELD-HEAT
20	1105678	0		PLUG-PIPE
21	1736485	0	S	SCR-HH 7/16-20X1.25 G5ZP
22	1752714010	0		BRACKET
23	1741801	0		WASHER-1.7X.453X.25
24	1744401	0		ELEC-CLUTCH/BRAKE
25	1752468	0		HOSE-AIR CLEANER
26	1100244	0	S/F	WASHER-LK .438 ZP
27	1110107	0	S/F	NUT-H/LK 5/16-18
28	1755220010	0		ASSM-U JOINT
29	1738010	0		MOUNT
30	1186047	0	F	WASHER
33	1755535	0		SEAL-RH
34	1708034	0		KEY
35	0	0	F	KOHLER ENGINE 18HP MODEL KT18QS-24599
36	1752790	0		CLAMP
37	1100046	0	S/F	SCR-HH 3/8-16X1.0 G5 ZP
38	1186102	0	F	SCR-CARR 5/16-18X1.25 G2ZP
39	1737419	0		SCR-SQ HD SET 5/16X3/4
40	1746503	0	S	FAN
41	1750338010	0		SHAFT-DRIVE
42	1753915010	0		BRACKET
43	1701055	0	/P	WASHER-FLAT 1.25X.406X.179
44	1753914001	0		PIPE-EXHAUST
45	1733398	0	S/F	NUT-LOCK 3/8-16
46	1750828010	0		SUPPORT-REAR MOUNT
47	1724822	0	S	SPRING
48	1755720	0		THROTTLE-CONTROL
49	1751716	0	/P	SHEAVE-IDLER
50	1755721	0		CHOKE-CONTROL
51	1752726010	0		SHIELD-GRASS
52	1892945	0	/P	BUSHING
53	1751719010	0		ASSM-ARM
54	1742628	0		BELT SET
55	1185689	0		RING-HEAVY EXT HD 1.0 ID

5118HR 1800 (S/N B060100101-B060199999)
ENGINE ASSEMBLY

Page 9 of 25

Ref #	Part Number	Qty	S/P/F	Description
56	1744379010	0		SHEAVE
57	1725087	0	/P	BEARING-BALL
58	1755219	0	/P	SHAFT-PTO
59	1756541010	0		ASSM-SUPPORT
60	1186389	0	/P	NUT-HF/LK 1/4-20 ZP
61	1186347	0	S	SCR-HFLK 3/8-16X1.00 ZP
62	1744408010	0		MOUNT-ENGINE
63	1752665010	0		PLATE
64	1185885	0	/P	KEY-WOODRUFF
65	1185985	0	S	NUT W/LKWASHER 10-24 ZP
66	1186308	0	S	SCR-HFLK 1/4-20X.50 ZP
67	1754089010	0		HANGER ASSY.
68	1750834010	0		ASSM-HANGER LH
69	1100243	0	S	WASHER-LK .375 DEPL
70	1752791	0		GASKET
71	1756157010	0		ASSM-GUARD
72	1755534	0		SEAL-LH
73	1186393	0	/P/F	NUT-HFLK 3/8-16 ZP
74	1754322	0	/P	BOLT
75	1744451010	0		ANCHOR-SPRING
76	1703073	0	/P	WASHER-THRUST
77	1754644	0		SEAL
78	1743683	0		ELBOW-45 DEGREES
79	1738433	0	S	BUSHING-RUBBER
80	1110644	0	S/F	SCR-HHC 3/8-16X3.25
81	1752746010	0		SUPPORT
?82	1739656	0		SCR-CARR 3/8-16X.75 G5 ZP
83	1755412	0	S	KNOB
84	1186259	0		NUT-HEX/JAM 3/8-16
85	1186329	0	S	SCR-HFLK 5/16-18X.75 ZP
86	1750962	0		SCR
87	1755536	0		GASKET-HEAT SHIELD
	1754151	0		COIL-CLUTCH FIELD
	1754152	0		BEARING

5118HR 1800 (S/N B060100101-B060199999)
FRAME, LIFT & STEERING ASSEMBLY



5118HR 1800 (S/N B060100101-B060199999)
FRAME, LIFT & STEERING ASSEMBLY

Page 11 of 25

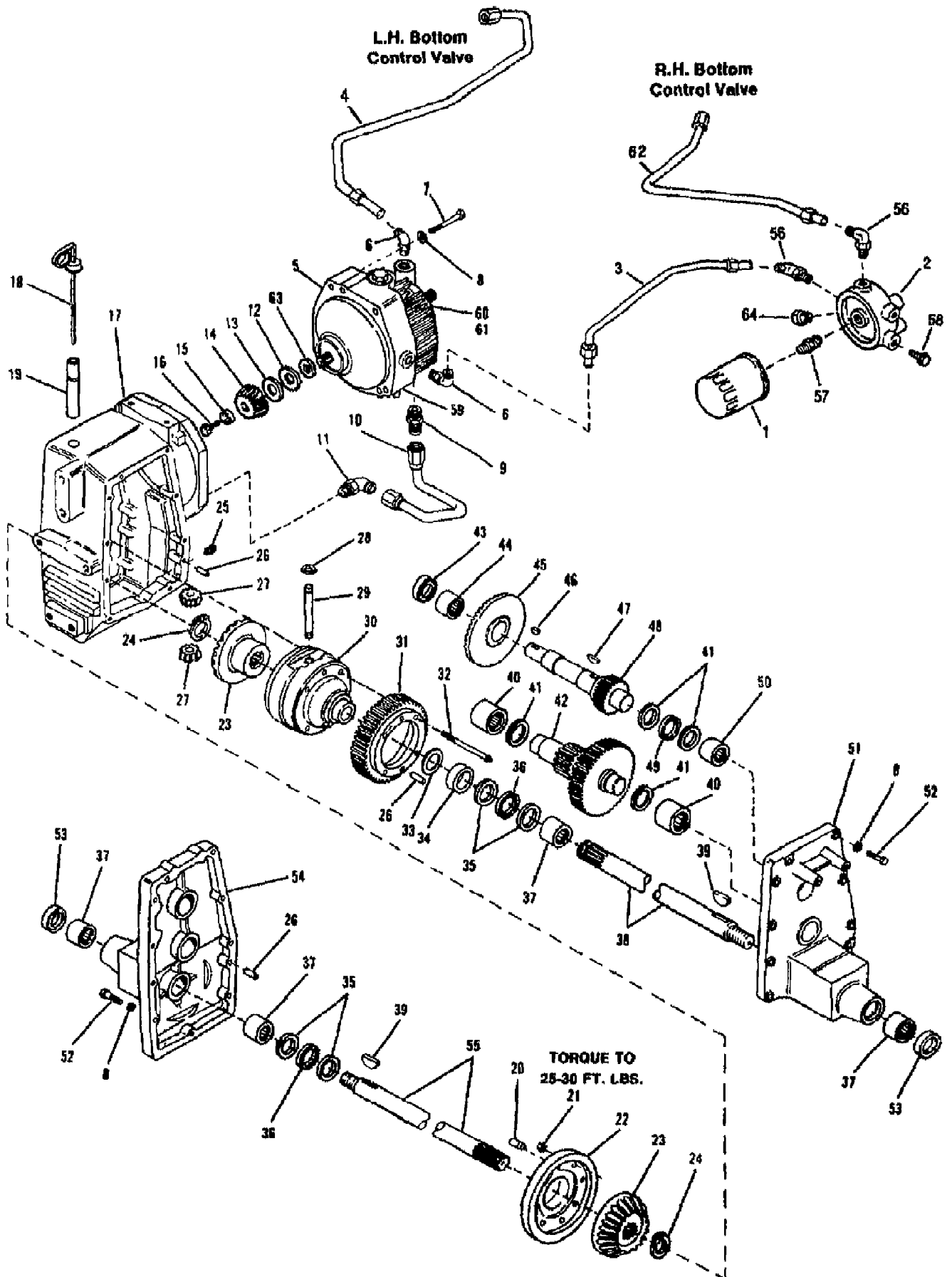
Ref #	Part Number	Qty	S/P/F	Description
1	1754240	0		WHEEL-STEERING
2	1754321010	0		BOLSTER-FRONT AXLE
3	1186347	0	S	SCR-HFLK 3/8-16X1.00 ZP
4	1185632	0		BEARING-FLANGED NYLON
5	1755513010	0		ASSM-FRAME
6	1752521010	0		AXLE-FRONT
7	1186345	0	/P	SCR
8	1186393	0	/P	NUT-HFLK 3/8-16 ZP
9	1715491	0		SPACER-1.75X1.015X.179
10	1756513010	0		SUPPORT
11	1186258	0	S/F	NUT-HEX JAM 5/16-18
12	1755514010	0		SUPPORT
13	1755780	0		SEAL
14	1752732010	0		TUNNEL W/DECAL
15	1110108	0	S/F	NUT-H/LK 3/8-16
16	1752179010	0		ASSM-SUPT
17	1752634010	0		ASSM-FRAME
18	1730692010	0		DOUBLER-REAR
19	1755461	0		BRKT-STEERING
20	1752496	0		KIT-POWER STEERING
21	1756142	0		ELBOW
22	1100245	0	S/F	WASHER-LK .5
23	1727898	0		BOLT-U
24	1752763010	0		SUPT-STEERING PUMP
25	1100244	0	S/F	WASHER-LK .438 ZP
26	1747656	0	S	SCR-HH 1/2-14X1.00
27	1186211	0	/P/F	NUT-HEX 5/16-24
28	1718086	0	S	STEM-VALVE
29	1100242	0	S/F	WASHER-LK .312 ZP
30	1185348	0	S	PIN-ROLL 1/4 X 1-1/4
31	1756150010	0		BRACE
32	1186216	0		NUT-HEX 5/8-18
33	1100247	0	F	WASHER-LK 1.072X.634X.156
34	1754364	0		ASSM-HOSE
35	1185976	0	S	FITTING-GREASE 1/4-28X2.00
36	1722667	0		CLAMP
37	1751627010	0	S	CYLINDER-HYDRAULIC
38	1110107	0	S	NUT-H/LK 5/16-18
40	1713361	0	S	JOINT-BALL
41	1863072	0		SLEEVE
42	1110152	0	S	NUT-H/LK 1/2-20 ZP
43	1719003	0	/P	JOINT-BALL
44	1186249	0	S/F	NUT-HEX/JAM 5/8-18 ZP
45	1752797010	0	S	ARM-STEERING
46	1186033	0		WASHER-1.75X.328X.1345
47	1186329	0	S	SCR-HFLK 5/16-18X.75 ZP
48	1186034	0		KEY-WOODRUFF .25X.875
49	1752518010	0		ASSM-SPINDLE
50	1751219	0		PIN-WELD
51	1185872	0		SCR-TRUSS HD 5/16-18X.62
52	1746138	0		ROD-TIE
53	1186247	0	S/F	NUT-JAM
54	1752556	0		BEARING-FLANGE

5118HR 1800 (S/N B060100101-B060199999)
FRAME, LIFT & STEERING ASSEMBLY

Page 12 of 25

Ref #	Part Number	Qty	S/P/F	Description
55	1186391	0	S	NUT-HFLK 5/16-18 ZP
56	1703073	0	/P	WASHER-THRUST
57	1752520010	0	S	ASSM-SPINDLE WHEEL RH
58	1800417	0		COLLAR
60	1753777010	0		BRACKET
61	1757487	0		ASSM-WHEEL
62	1756840	0		TIRE-16 X 6.50-8
63	1756524	0	/P	BEARING-BALL
64	1100112	0		HEX NUT
65	1744396	0		CAP-DUST
66	1186308	0	S	SCR-HFLK 1/4-20X.50 ZP
67	1752733010	0		CARRIER-BATTERY
68	1752222	0		ASSM-STEERING SHAFT
69	1753773	0		ASSM-SUPPORT
70	1107073	0		SCR-HH 5/8-11X3.0 G5
71	1751629010	0		BRACKET
72	1185689	0		RING-HEAVY EXT HD 1.0 ID
73	1186389	0	/P	NUT-HF/LK 1/4-20 ZP
74	1185739	0		ELBOW
75	1104436	0	S	KEY-WOODRUFF .188X.75
76	1107383	0	S/F	WASHER-FLAT 3/8 SAE
77	1186347	0	S	SCR-HFLK 3/8-16X1.00 ZP
78	1744374	0		TUBE-PIVOT AXLE
79	1733103	0	/P	PIN-.312X.75
80	1100045	0	S	SCR-HH 5/16-18X1.0 G5 ZP
81	1756512010	0	F	ASSM-SUPPORT
85	1752649	0		ASSM-HOSE
86	1752658	0		ASSM-TUBE
87	1752657	0		ASSM-TUBE
88	1735572010	0		ASSM-FRAME SUPT

5118HR 1800 (S/N B060100101-B060199999)
HYDRO TRANSAXLE ASSEMBLY



5118HR 1800 (S/N B060100101-B060199999)
HYDRO TRANSAXLE ASEMBLY

Page 14 of 25

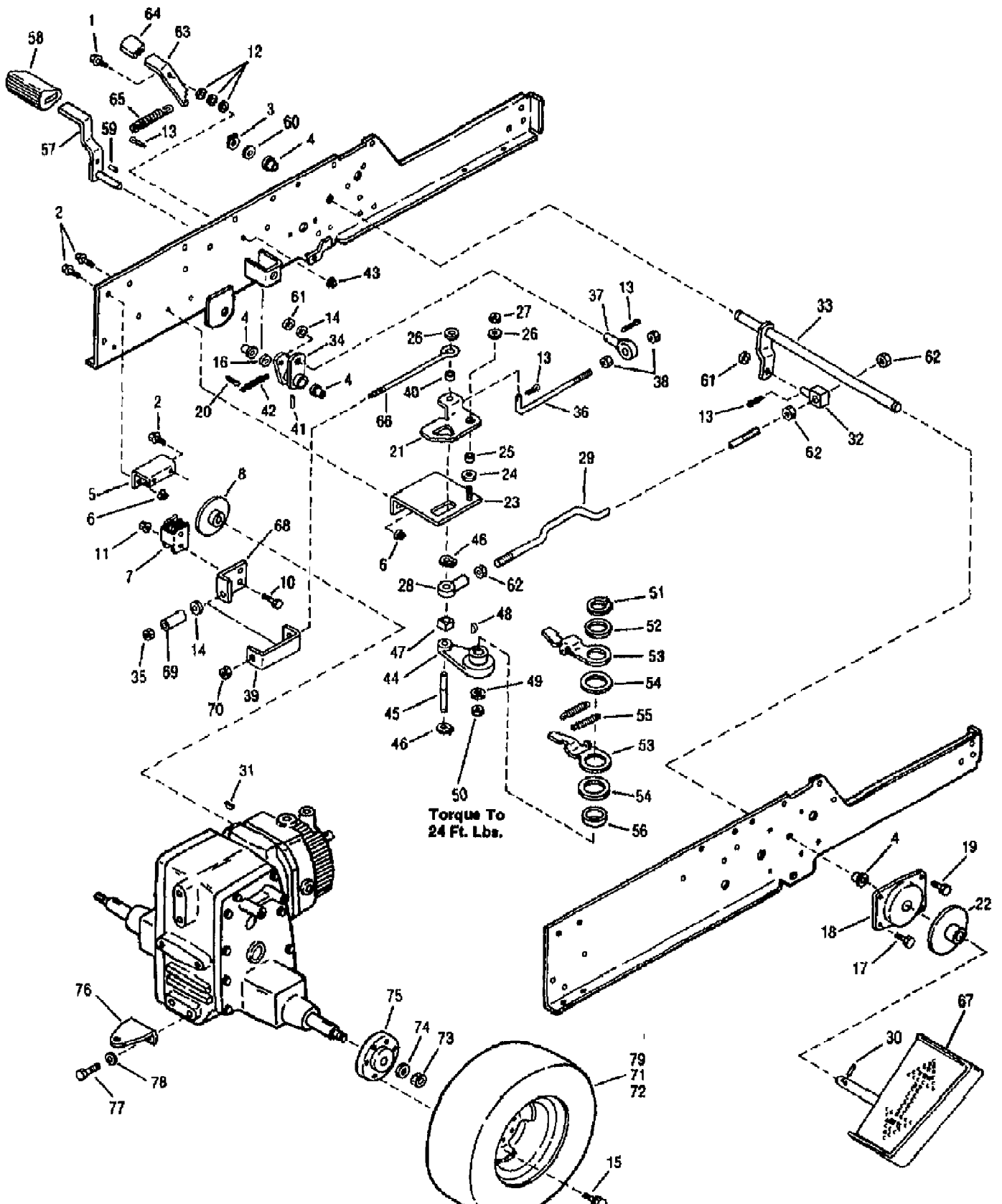
Ref #	Part Number	Qty	S/P/F	Description
1	1726450	0	/P	FILTER-OIL
2	1752734010	0		FILTER
3	1755237	0		ASSM-RETURN TUBE
4	1755236	0		ASSM-TUBE
5	1745147	0		TRANSMISSION-HYDRO
6	1185737	0	S	ELBOW
7	1100770	0	F	SCR-HH 3/8-16X2.75 G5 ZP
8	1100243	0	S/F	WASHER-LK .375 @ DEPL
9	1186464	0		CONNECTOR
10	1729264	0		TUBE
11	1724390	0		ELBOW
12	1730374	0		WASHER-SHIM
13	1730375	0		WASHER-SHIM
14	1729531	0		PINION-BEVEL
15	1729559	0		SPACER-1.0X.25X.25
16	1741832	0	S	SCR-HH 1/4-20X.625 G5 ZP
17	1747086010	0		HOUSING-TRANSAXLE
18	1724093	0		DIPSTICK
19	1724091	0		TUBE
20	1733103	0	/P	PIN-.312X.75
21	1186459	0	/P	NUT-HEX/LK 5/16-18 G5ZP
22	1728645	0		COVER-DIFFERENTIAL
23	1752094	0		GEAR-23T
24	1185689	0		RING-HEAVY EXT HD 1.0 ID
25	1185930	0		PLUG-PIPE
26	1110189	0	/P	PIN-DOWEL .375X1.00 ZP
27	1752095	0		PINION-10T
28	1118808	0	/P	RING-RETAIN .625 ID
29	1727641	0		KIT-PINION SHAFT
30	1729972	0		CARRIER-DIFFERENTIAL
31	1729260	0		GEAR-AXLE 47T
32	1733684	0	/P	SCR-HFLK 5/16-18X4.00 ZP
33	1800338	0	S	SHIM-1.875X1.013X.015
34	1729497	0		SPACER-1.5X1.01X.45
35	1185730	0	/P	RACE-THRUST
36	1185729	0	/P	BEARING-THRUST
37	1727637	0		BEARING-NEEDLE
38	1747062	0		AXLE-RH
39	1100281	0		KEY-WOODRUFF .312X1.12
40	1186010	0		BEARING-NEEDLE
41	1186002	0		RACE-THRUST
42	1729258	0		ASSM-GEAR CLUSTER
43	1185882	0		SEAL-OIL
44	1187731	0		BEARING-NEEDLE
45	1724079	0		GEAR
46	1751775	0		KEY-WOODRUFF .25X.75
47	1100279	0		KEY-WOODRUFF .25X1
48	1751777	0		ASSM-PINION SHAFT
49	1185764	0		BEARING-THRUST
50	1185774	0	/P	BEARING-NEEDLE
51	1747072010	0		COVER-TRANSAXLE RH
52	1100047	0	S/F	SCR-HH 3/8-16X1.5 G5 ZP
53	1185295	0	S	SEAL-OIL

5118HR 1800 (S/N B060100101-B060199999)
HYDRO TRANSAXLE ASEMBLY

Page 15 of 25

Ref #	Part Number	Qty	S/P/F	Description
54	1747070010	0		COVER-TRANSAXLE LH
55	1747061	0		AXLE-LH
56	1185739	0		ELBOW
57	1721921	0		COUPLING
58	1186345	0	/P	SCR
59	1724370	0		SEAL-CONTROL SHAFT
60	1724376	0	S	SEAL-OIL
61	1724377	0	S	SHIELD-GRASS
62	1752662	0		ASSM-TUBE
63	1705093	0	S	WASHER-1.0X.64X.029
64	1105678	0		PLUG-PIPE
	1730118	0		SEALANT-GE RTV (3 OZ)

5118HR 1800 (S/N B060100101-B060199999)
HYDROSTATIC & BRAKE ASSEMBLY



5118HR 1800 (S/N B060100101-B060199999)
HYDROSTATIC & BRAKE ASSEMBLY

Page 17 of 25

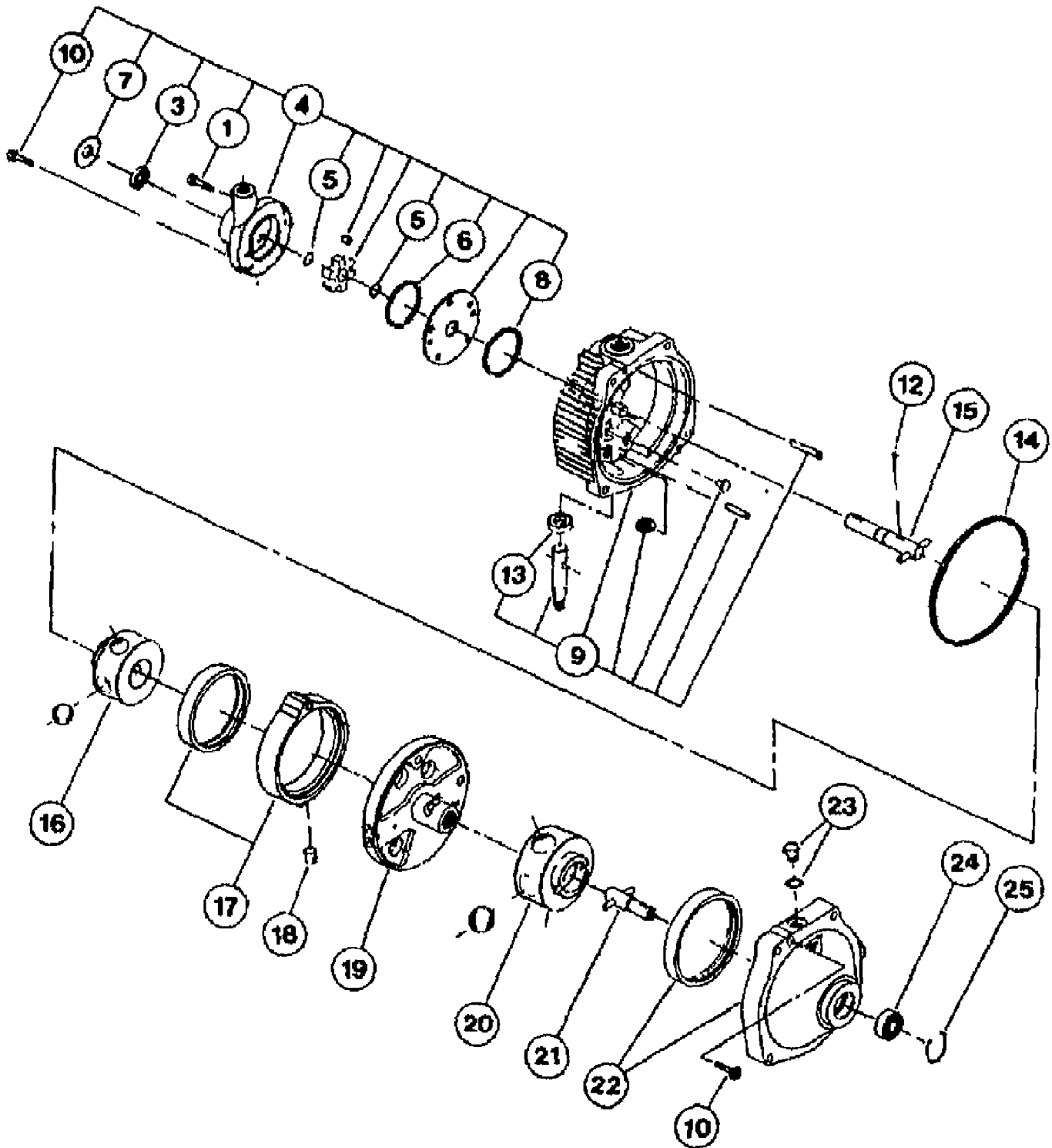
Ref #	Part Number	Qty	S/P/F	Description
1	1186347	0	S	SCR-HFLK 3/8-16X1.00 ZP
2	1186345	0	/P	SCR
3	1118808	0	/P	RING-RETAIN .625 ID
4	1185802	0		BEARING-FLANGE
5	1747060010	0		BRKT-TRANSAXLE
6	1186393	0	/P	NUT-HFLK 3/8-16 ZP
7	1732361	0		KIT-BRAKE
8	1729273	0		BRAKE-DISC
10	1100805	0	S/F	SCR-HH 1/4-20X.75 G5 ZP
11	1186389	0	/P	NUT-HF/LK 1/4-20 ZP
12	1107383	0	S/F	WASHER-FLAT 3/8 SAE
13	1100346	0	S/F	PIN-COTTER .09X.75 ZP
14	1107382	0	/P/F	WASHER-FLAT 5/16 SAE
15	0101085	0	/P	BOLT-HUB
16	1716495	0		SPACER-.875X.626X.221
17	1738463	0		SCR
18	1738462	0	/P	CLUTCH
19	1185130	0	/P	SCR-SEMS MACH
20	1100350	0	S/F	PIN-COTTER .120X1.00 ZP
21	1729213	0		PLATE-NEUTRAL
22	1738447010	0		ASSM-CONTROL DISC
23	1729445010	0		PLATE-NEUTRAL
24	1703052	0		WASHER-1.75X.39X.059
25	1732369	0		SPACER-.625X.4X.2
26	1107383	0	S/F	WASHER-FLAT 3/8 SAE
27	1110108	0	S/F	NUT-H/LK 3/8-16
28	1721612	0	/P	ROD-END
29	1747514010	0		ROD
30	1185232	0	S/F	PIN-ROLL
31	1751775	0		KEY-WOODRUFF .25X.75
32	1734827	0		SWIVEL
33	1754085010	0		ASSM-SHAFT
34	1753139010	0		ASSM-BRAKE ARM
35	1186230	0	S/F	NUT-HEX 5/16-18 ZP
36	1755509010	0		ROD
37	1747507	0		SWIVEL
38	1186259	0	F	NUT-HEX/JAM 3/8-16
39	1748372	0		BRAKE-RETURN
40	1747497	0		SPACER
41	1732147	0	S	PIN-DRIVE .187X1.0
42	1700401	0		SPRING
43	1733398	0	S/F	NUT-LOCK 3/8-16
44	1722151	0		ARM-SPEED CONTROL
45	1734563	0		PIN-CONTROL
46	1118802	0		RING-RET.EXT .437 ID
47	1720699	0		BLOCK
48	1104435	0	S	KEY-WOODRUFF 1/8 X 5/8
49	1107385	0	S/F	WASHER-1.06X.531X.1 ZP
50	1110110	0	S/F	NUT-H/LK 1/2-13
51	1185732	0		RING-RET
52	1720529	0	S	WASHER
53	1720523	0		ARM
54	1720361	0		WASHER-THRUST

5118HR 1800 (S/N B060100101-B060199999)
HYDROSTATIC & BRAKE ASSEMBLY

Page 18 of 25

Ref #	Part Number	Qty	S/P/F	Description
55	1720928	0		SPRING
56	1720706	0		BEARING
57	1755510010	0		ASSM-PEDAL
58	1728694	0	/P	FOOT REST
59	1120209	0		PIN-ROLL .188X.75
60	1715301	0	/P	WASHER-1.115X.637X.06
61	1705108	0	S	WASHER-.632X.39X.0329
62	1186246	0	/P	NUT-HEX/JAM 7/16-20
63	1729683010	0		LOCK-BRAKE
64	1734553	0		GRIP
65	1726640	0		SPRING
66	1747495010	0		ROD-BRAKE
67	1757356010	0		ASSM-PEDAL
68	1747496	0		EXT-BRAKE ARM
69	1747494	0		SLEEVE
70	1110107	0	S/F	NUT-H/LK 5/16-18
71	1757482	0		TIRE
72	1718086	0	S	STEM-VALVE
73	1120390	0		NUT-H/LK 3/4-10
74	1708599	0		SPACER-1.812X.765X.179
75	1747088	0		HUB-WHEEL
76	1724698	0	S	BAR-DRAW
77	1100055	0	S/F	SCR-HH 1/2-13X1.25 G5 ZP
78	1100245	0	S/F	WASHER-LK .5
79	1757212	0		ASSM-WHEEL

5118HR 1800 (S/N B060100101-B060199999)
HYDROSTATIC ASSEMBLY

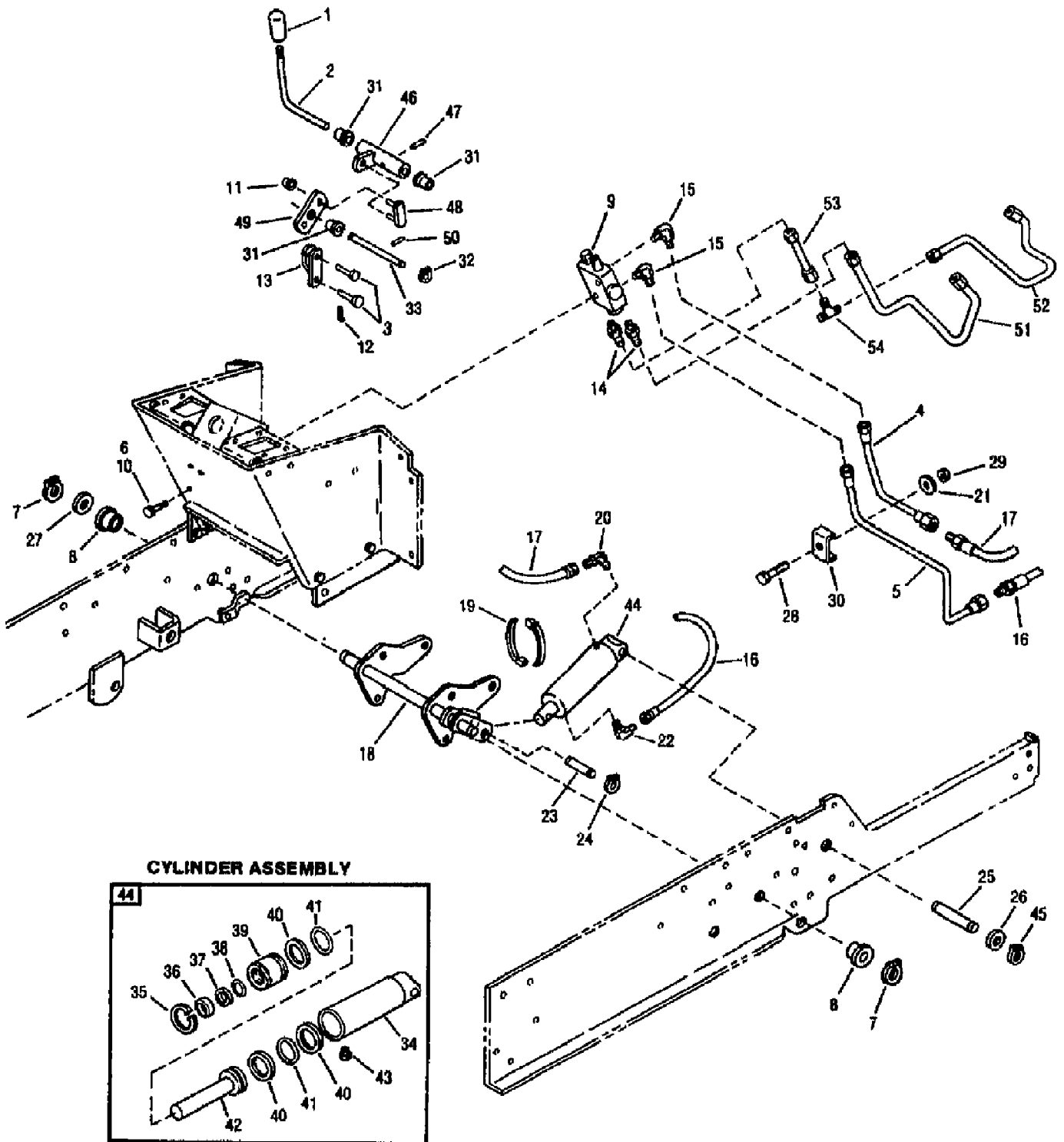


5118HR 1800 (S/N B060100101-B060199999)
HYDROSTATIC ASSEMBLY

Page 20 of 25

Ref #	Part Number	Qty	S/P/F	Description
1	0	0	F	SOCKET HD. CAPSCREW
3	1724376	0	S	SEAL-OIL
4	1744188	0		KIT-CHARGE PUMP
5	1724375	0		RING-SNAP
6	1744155	0		RING-SQ SEAL
7	1724377	0	S	SHIELD-GRASS
8	1744157	0	/P	RING-SQ SEAL
9	1744154	0		ASSM-COVER
10	0	0	F	SOCKET HD. CAPSCREW
12	1744159	0	/P	PIN-DRIVE
13	1724376	0	S	SEAL-OIL
14	1744185	0	S	RING-SQ SEAL
15	1744160	0		SUBASSM-INPUT SHAFT
16	1744164	0	/P	ASSM-PUMP ROTOR & BALL
17	1744184	0		ASSM-RING CAM
18	1744176	0		RING-CAM INSERT
19	1744166	0		ASSM-PINTLE
20	1744177	0		ASSM-MOTOR ROTOR & BALL
21	1744010	0		SUBASSM-OUTPUT SHAFT
22	1744180	0	/P	ASSM-BODY
23	1744179	0		SUBASSM-O RING PLUG
24	1104440	0		BRG-BALL (OUTPUT)
25	1724380	0		RING-RETAIN

5118HR 1800 (S/N B060100101-B060199999)
LIFT ASSEMBLY



5118HR 1800 (S/N B060100101-B060199999)
LIFT ASSEMBLY

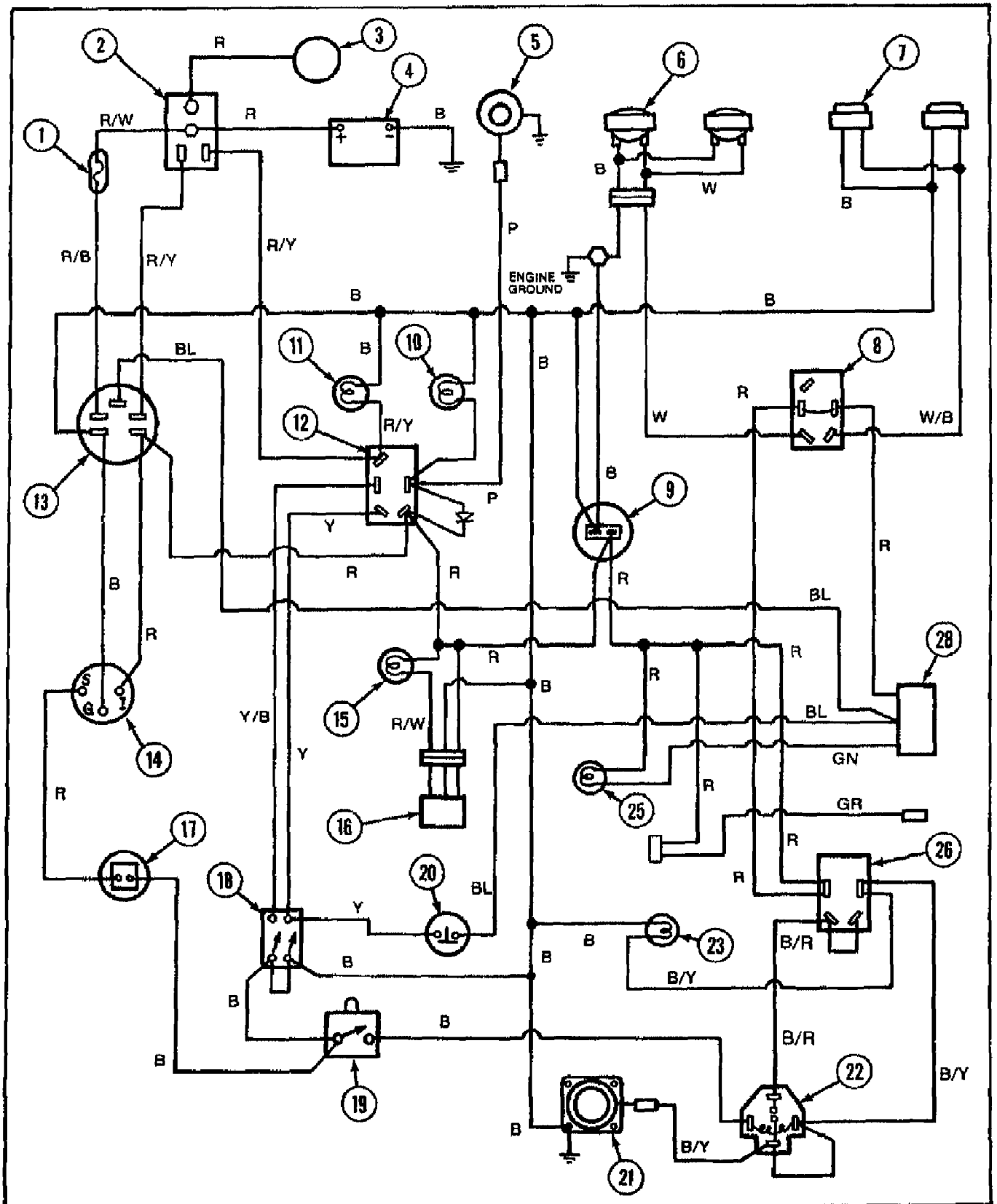
Page 22 of 25

Ref #	Part Number	Qty	S/P/F	Description
1	1756877	0		KNOB
2	1755460	0		LEVER-CONTROL
3	1755559	0		PIN-CLEVIS .25X.81
4	1755232	0		ASSM-TUBE
5	1755233	0		ASSM-TUBE
6	1186316	0	F	SCR-HFLK 1/4-20X2.00 G5ZP
7	1118554	0	S	RING-RETAINING
8	1185728	0	/P	BUSHING-FLANGE
9	1752667010	0		VALVE
	1751209	0		KIT-SEAL REPAIR
10	1186389	0	/P	NUT-HF/LK 1/4-20 ZP
11	1708072	0		PUSH NUT
12	1187385	0	F	PIN-COTTER
13	1755468	0		ASSM-VALVE LINK
14	1752690	0		CONNECTOR
15	1185737	0	S	ELBOW
16	1752648	0	/P	ASSM-HOSE
17	1755198	0		ASSM-HOSE
18	1747510010	0		ASSM-SHAFT
19	1755531	0		TIE-CABLE
20	1185903	0		ELBOW
21	1701055	0	/P	WASHER-FLAT 1.25X.406X.179
22	1185739	0		ELBOW
23	1747512	0		PIN
24	1118808	0	/P	RING-RETAIN .625 ID
25	1724703	0		PIN
26	1708012	0	S	WASHER-1.5X.755X.062
27	1185816	0	/P	WASHER-SPEC
28	1100045	0	S/F	SCR-HH 5/16-18X1.0 G5 ZP
29	1110107	0	S/F	NUT-H/LK 5/16-18
30	1722667	0		CLAMP
31	1737018	0	/P	BRG-FLANGE
32	1185427	0		RING-RETAINING
33	1755458	0		PIN-PIVOT
34	1729388	0	S	ASSM-CYL HYDRAULIC
35	1118735	0	S	RING-RETAIN INT 2.210 DIA
36	1185266	0	S	SEAL-OIL
37	1186019	0		RING-BACK/UP
38	1177395	0		RING-O .984 ID
39	1724511	0		HEAD-CYLINDER
40	1186018	0		RING-BACK/UP
41	1186017	0		RING-O 1.6 ID
42	1747043	0		ASSM-ROD HYDR CYLINDER
43	1186278	0		PLUG-PIPE
44	1747509010	0	S	ASSM-CYL HYDRAULIC
45	1113527	0	S	RING-RETAIN EXT .707 ID
46	1755472	0		ASSM-CONTROL ARM
47	1713457	0	S	PIN-DRIVE
48	1755464	0		ASSM-CONTROL LINK
49	1755469	0		ARM-ROCKER
50	1737015	0	S	PIN-ROLL .125 X .62
51	1755234	0		ASSM-TUBE
52	1755235	0		ASSM-TUBE

5118HR 1800 (S/N B060100101-B060199999)
LIFT ASSEMBLY

Page 23 of 25

Ref #	Part Number	Qty	S/P/F	Description
53	1752664	0		ASSM-TUBE
54	1185904	0		TEE



5118HR 1800 (S/N B060100101-B060199999)
WIRING DIAGRAM

Page 25 of 25

Ref #	Part Number	Qty	S/P/F	Description
	0	0		ILLUSTRATION