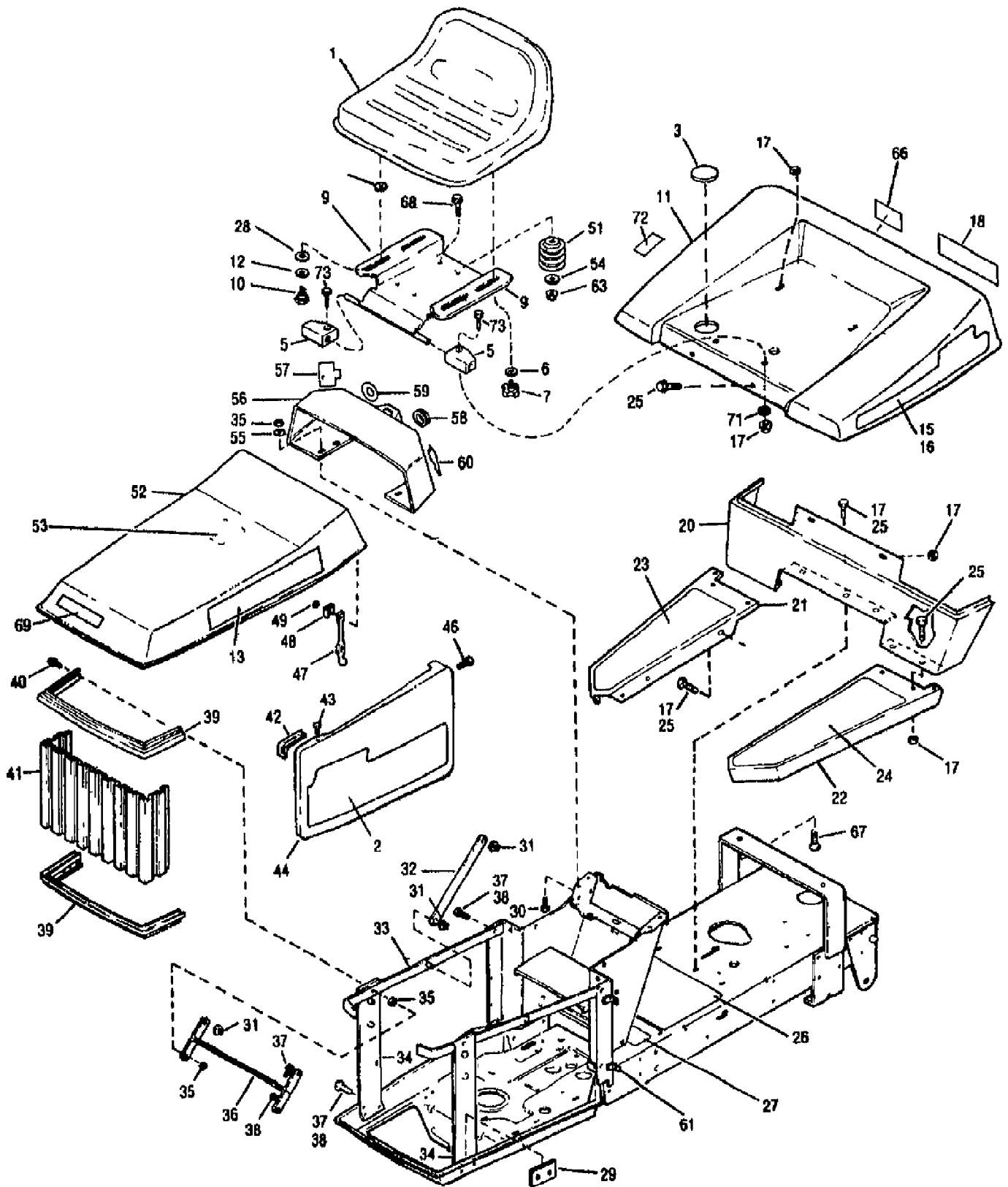


3312HRS ST 120 (S/N B390200101-B390399999)
BODYWORK & TRIM ASSEMBLY



3312HRS ST 120 (S/N B390200101-B390399999)
BODYWORK & TRIM ASSEMBLY

Page 2 of 21

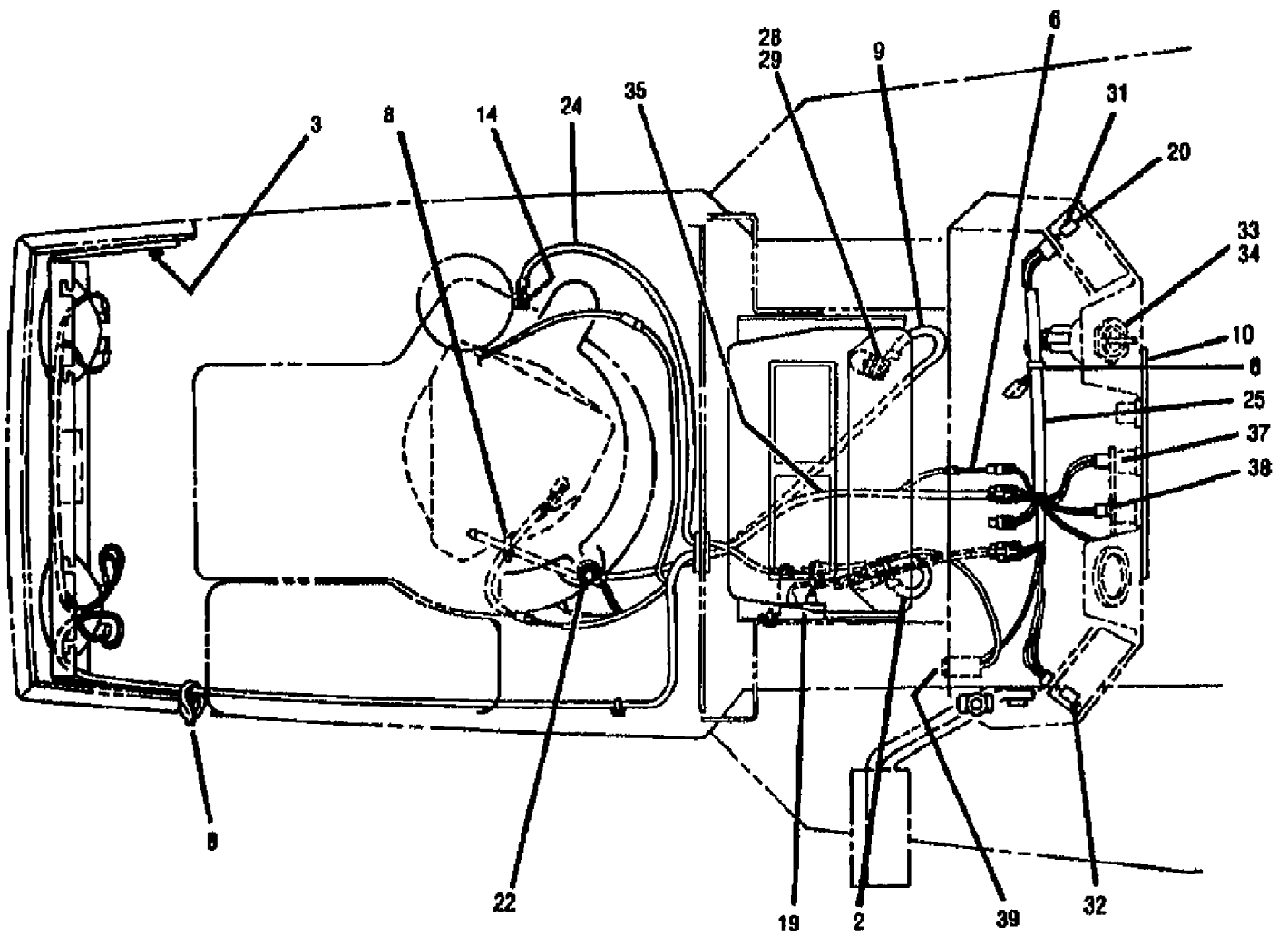
Ref #	Part Number	Qty	S/P/F	Description
1	1756861	0		SEAT
2	1757939	0		DECAL-SIDECVR LH RED
2	1757938	0		DECAL-SIDECVR RH RED
3	1755790	0		PLUG
?4	0	0		N/A
5	1753911	0		BLOCK-PIVOT
6	1107383	0	S/F	WASHER-FLAT 3/8 SAE
7	1734269	0		KNOB
?8	0	0		N/A
9	1760963001	0	S	ASSM-SEAT SUPPORT
10	1754125	0	/P	SCR-SHLDR 3/8-16X.25 G5ZP
11	1761031010	0		FENDER-REAR
12	1705793	0		WASHER-1.06X.51X.09 NYLON
13	1759100	0		DECAL-LOGO
?14	0	0		N/A
15	1757942	0		DECAL-FENDER RH RED
16	1757943	0		DECAL-FENDER LH RED
17	1186391	0	S	NUT-HFLK 5/16-18 ZP
18	1759102	0		DECAL-LOGO FENDER
?19	0	0		N/A
20	1743987010	0		SUPT-RUNNING BOARD
21	1751805010	0		BOARD-RUNNING RH
22	1751803010	0		BOARD-RUNNING LH
23	1762528	0		PAD-FOOT RH
24	1762529	0		PAD-FOOT LH
25	1186330	0	S	SCR-LOCK
26	1762527	0		PAD-FOOT CENTER
27	1755945	0		DECAL-INSTRUCTION
28	1706782	0	/P	WASHER-BOW .74X.52X.01
29	1754415	0		SPACER-PLATE
30	0	0	F	N/A
31	1747836	0	S	RETAINER-PUSH ON .24X.73 ZP
32	1742459010	0		LINK-HINGE
33	1758587010	0		ASSM-HINGE STRAP
34	1752914001	0		ASSM-GRILLE SUPT (RED)
35	1734398	0	S	NUT-HT LK 1/4-20
36	1742458001	0		LINK-HINGE
37	1186309	0	/P	SCR-HH 1/4-20X.625
38	1186389	0	/P	NUT-HF/LK 1/4-20 ZP
39	1742493010	0		CAP-GRILLE
40	0	0	F	N/A
41	1742494001	0		GRILLE-BLACK
42	1753912	0		GUIDE-SIDE CVR (RED)
43	1756629	0		RIVET-POP
44	1743554010	0		COVER-SIDE LH RED
44	1743553010	0		COVER-SIDE RH RED TRACTOR
?45	0	0		N/A
46	0	0	F	N/A
47	1727127	0		LATCH-RUBBER
48	1727126	0	/P	CLIP
49	1185985	0	S	NUT W/LKWASHER 10-24 ZP
?50	0	0		N/A
51	1755449	0	/P	SPRING-COMPRESSION

3312HRS ST 120 (S/N B390200101-B390399999)
BODYWORK & TRIM ASSEMBLY

Page 3 of 21

Ref #	Part Number	Qty	S/P/F	Description
52	1744051010	0		ASSM-HOOD RED
53	1756876	0		DECAL-SVC INST
54	1701055	0	/P	WASHER-FLAT 1.25X.406X.179
55	0	0	F	N/A
56	1753039	0		PANEL-INSTRUCTION
57	1755931	0		DECAL-THROTTLE
58	1756739	0		CAP
59	1755932	0		DECAL-IGNITION
60	1755933	0		DECAL-CHOKE
61	1742934	0		NUT-SPEED
?62	0	0		N/A
63	1186393	0	/P	NUT-HFLK 3/8-16 ZP
?64	0	0		N/A
?65	0	0		N/A
66	1757366	0		DECAL-FUEL
67	1736098	0	S	BOLT-CARR 5/16-18X.63 ZP
68	1186347	0	S	SCR-HFLK 3/8-16X1.00 ZP
69	1759101	0		DECAL-LOGO
?70	1893445	0	S	WASHER-FLAT
71	1723384	0	S	WASHER-1.5X.343X.104
72	1900333	0		DECAL-U.S.A.
73	1100799	0	S/F	SCR-HH 5/16-18X1.5 G5 ZP

3312HRS ST 120 (S/N B390200101-B390399999)
ELECTRICAL ASSEMBLY

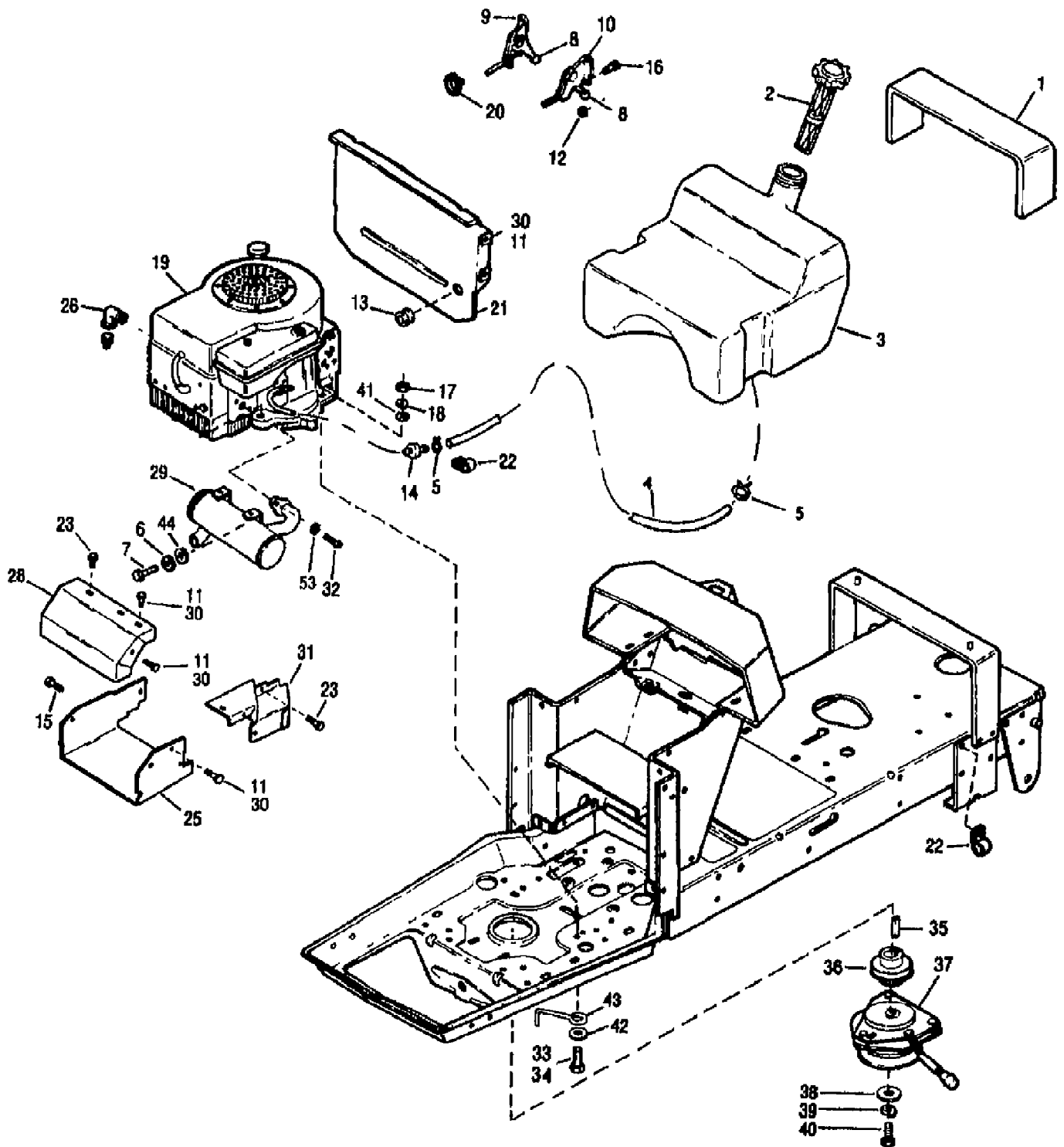


3312HRS ST 120 (S/N B390200101-B390399999)
ELECTRICAL ASSEMBLY

Page 5 of 21

Ref #	Part Number	Qty	S/P/F	Description
?1	0	0		NOT USED
2	1756074	0	/P	CABLE-BATTERY (+)
3	1186389	0	/P/F	NUT-HF/LK 1/4-20 ZP
?4	174401001	0		N/A
?5	1726435	0		HEADLAMP
6	1755616	0		ASSM-DIODE
?7	0	0		NOT USED
8	1735531	0	S	TIE-CABLE NYLON BLACK
9	1756075	0		CABLE-BATTERY (-)
10	1756872	0		LENSE
?11	0	0		NOT USED
?12	0	0	F	N/A
?13	0	0	F	N/A
14	1734398	0	S	NUT-HT LK 1/4-20
?15	1752586	0		BOLT-HOOK
?16	0	0	F	N/A
?17	1185985	0	S	NUT W/LKWASHER 10-24 ZP
?18	1752840	0		BATTERY
19	1752137	0	S	SOLENOID
20	1750963	0		SCR-FHP #6-32X.50 ZP
?21	1744022	0		RETAINER
22	0	0	F	N/A
?23	1748014	0		GROMMET-SPLIT
24	1741506	0		CABLE-STARTER
25	1752134	0		HARNESS-CONSOLE WIRING
?26	1747738	0	/P	CLIP-J
?27	1761006	0		TRAY-BATTERY
28	0	0	F	N/A
29	0	0	F	N/A
?30	1756076	0		HARNESS-INTERLOCK
31	1754608	0	/P	SWITCH-PTO
32	1754856	0		SWITCH-LIGHT
33	1754250	0	S	SWITCH-IGNITION
34	1753986	0	/P	KEY-IGNITION
35	1752908	0		HARNESS-WIRE ENGINE {3312HR,3312HRS}
35	1763712	0		HARNESS-WIRE ENGINE {3312HR,3312HRS}
?36	1755802	0	/P	BATTERY-HOLDDOWN
37	1751572	0	S	BULB (MFG NO. GE 73)
38	1186020	0		SCR-PHP M6-32X.38 ZP
39	1743516	0	S	FUSE-30 AMP
?40	1752809	0		GROMMET
?41	1751328	0	S	SWITCH
?42	0	0		NOT USED
?43	1755349	0		SCR-PHP 1/4-20X.50 ZP
?44	1752506	0	/P	SWITCH-SEAT
?45	1755487	0		GROMMET
?46	1754934	0		DECAL

3312HRS ST 120 (S/N B390200101-B390399999)
ENGINE ASSEMBLY

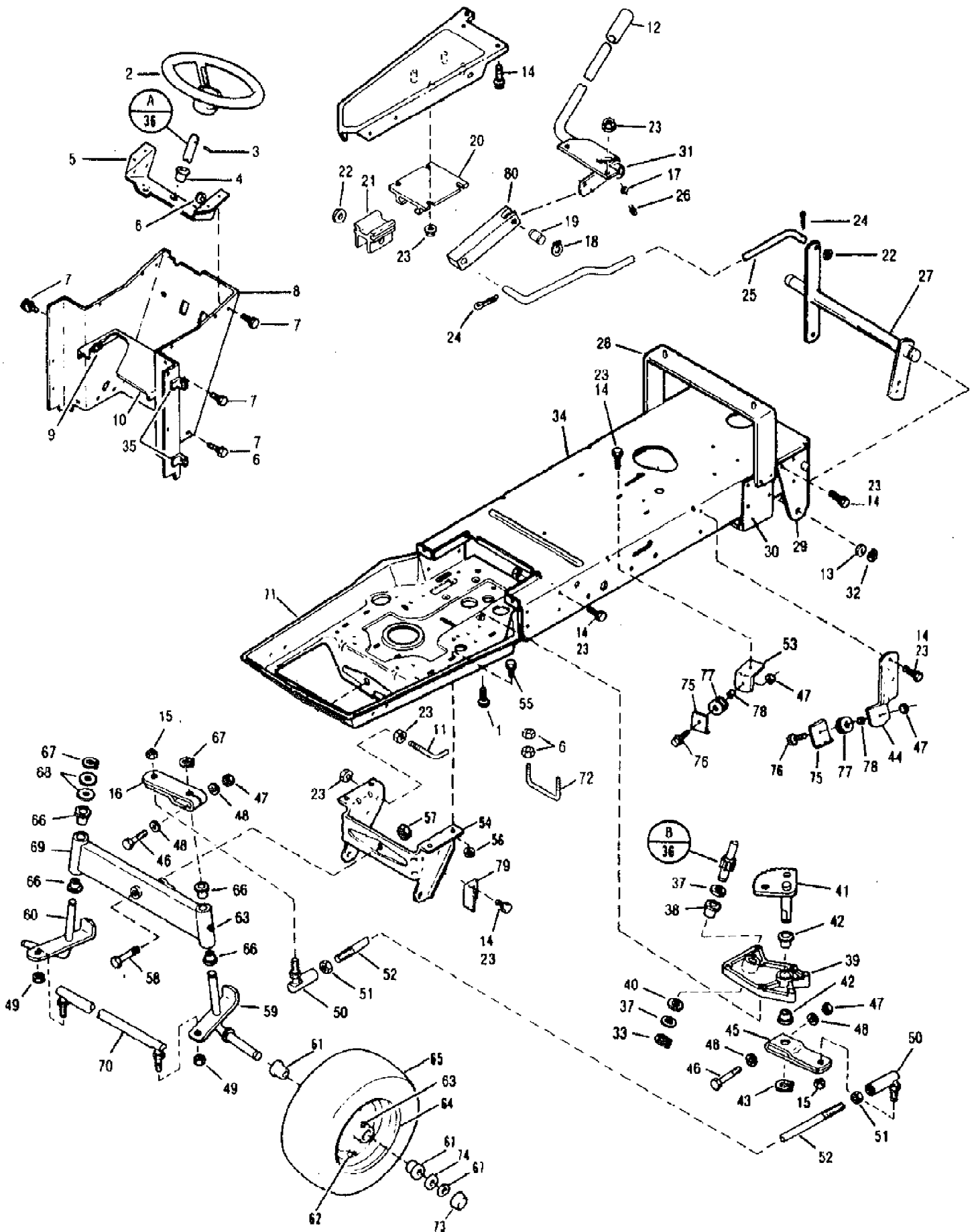


3312HRS ST 120 (S/N B390200101-B390399999)
ENGINE ASSEMBLY

Page 7 of 21

Ref #	Part Number	Qty	S/P/F	Description
1	1744390	0		PAD-FUEL TANK
2	1756044	0	S	CAP-GAS
3	1756460	0		TANK-FUEL
4	1752795	0		LINE-FUEL 52"
5	1750687	0	S	CLAMP-HOSE
6	0	0	F	N/A
7	0	0	F	N/A
8	1737118	0	S	KNOB
9	1755926	0	S	THROTTLE-CONTROL
10	1755927	0		C-CONTROL
11	0	0	F	N/A
12	0	0	F	N/A
13	1748014	0		GROMMET-SPLIT
14	1727491	0	S	FILTER-FUEL
15	1186330	0	S	SCR-LOCK
16	1750962	0		SCR
17	0	0	F	N/A
18	0	0	F	N/A
19	0	0	F	ENGINE, BRIGGS & STRATTON 12HP, MODEL 281707
19	0	0	F	ENGINE, BRIGGS & STRATTON 12HP, MODEL 283707
20	1735531	0	S	TIE-CABLE NYLON BLACK
21	1752883001	0		SHIELD-HEAT (RED)
22	1747738	0	/P	CLIP-J
23	1186309	0	/P	SCR-HH 1/4-20X.625
?24	0	0		N/A
25	1752909001	0		SHIELD-HEAT
26	1752912	0		ELBOW-90 DEGREES
?27	1185140	0	S	WASHER-LOCK
28	1752911001	0		SHIELD-HEAT
29	1752890	0		MUFFLER
30	1185986	0	S	NUT-SPEED #10
31	1752910001	0		SHIELD-HEAT
32	1747993	0	S	SCR-HXSKT 5/16-18X.75 BO
33	0	0	F	N/A
34	0	0	F	N/A
35	1187474	0		KEY-.25 SQ X 1.25
36	1742535	0		SHEAVE
37	1755341	0	S	CLUTCH-ELECTRIC
38	1744455	0	/P	WASHER-SPEC 1.42X.468X.25 ZP
39	0	0	F	N/A
40	1744454	0	S	SCR-HH 7/16-20X3 G5 ZP
41	0	0	F	N/A
42	0	0	F	N/A
43	1754787	0	/P	CLUTCH-RETAINER
44	1755340	0		SPACER-.625X.344X.34
53		0		UNKNOWN

3312HRS ST 120 (S/N B390200101-B390399999)
FRAME, LIFT & STEERING ASSEMBLY



3312HRS ST 120 (S/N B390200101-B390399999)
FRAME, LIFT & STEERING ASSEMBLY

Page 9 of 21

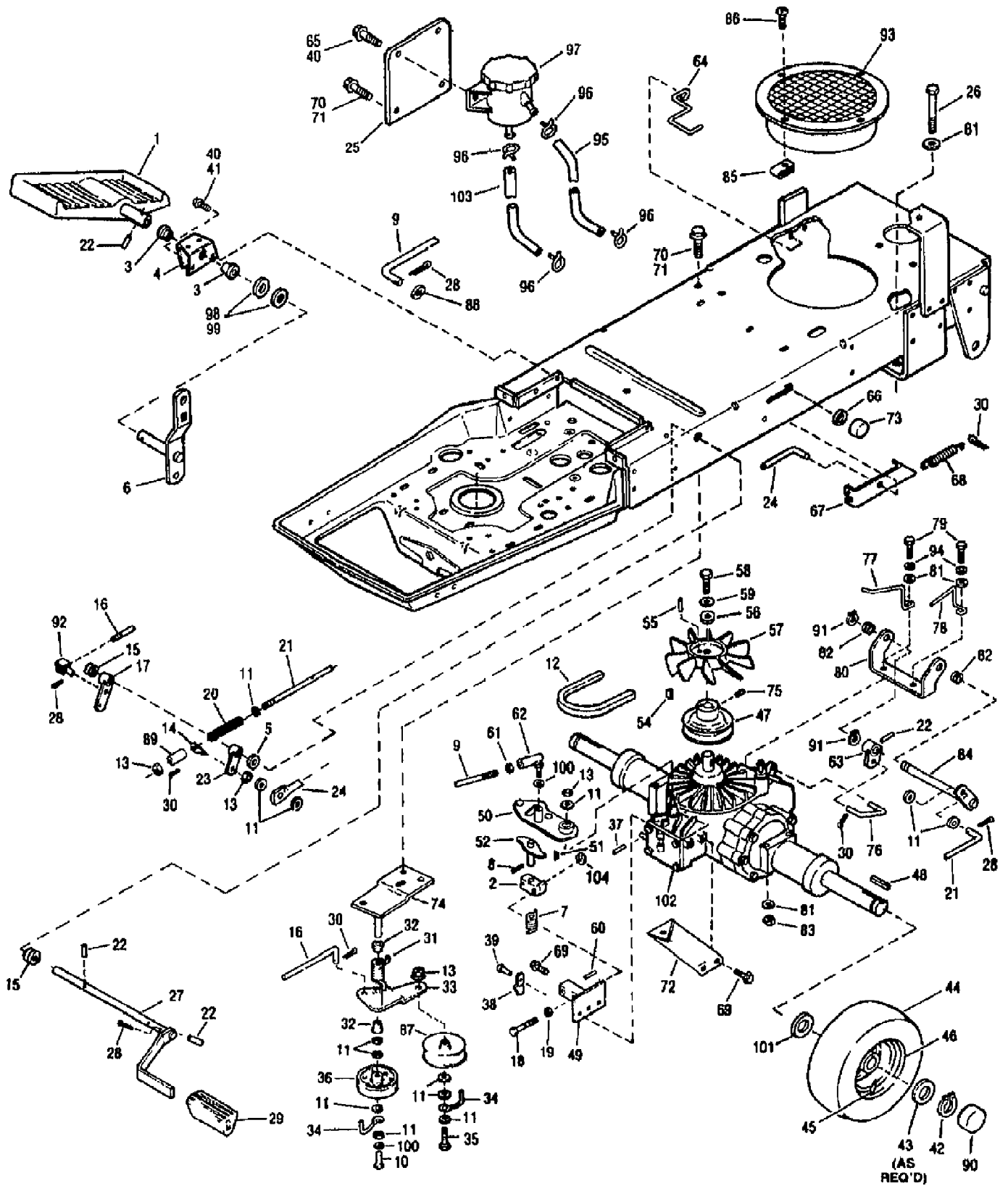
Ref #	Part Number	Qty	S/P/F	Description
1	1724491	4	S	Thread Forming Screw, 5/16-18x3/4
2	1756862	1		Steering Wheel
3	N/A	1		Roll Pin, 1/4x2-1/4 Common Hardware-Purchase Locally. Grade 5 or better where applicable.
4	1185632	1		Flange Bearing
5	1752363	1		Steering Shaft Support
6	1186389	13	/P	Flange Nut, 1/4-20
7	1185309	13		Flange Screw, 1/4-20x5/8
8	1758724010	1		Instrument Panel Support
9	11858456	4		U-Type Speed Nut, 1/4-20
10	1756073001	1		Battery Support
11	1757291	2	/P	Belt Guide
12	1703539	1	S	Handle Grip
13	1185830	4	S	Flat Washer
14	1186330	33	S	Flange Lock Screw, 5/16-18x7/8
15	1750957	2		Jam Lock Nut, 1/2-20
16	1750495	1		Steering Arm
17	1805368	1		Washer
18	1185427	2		Retaining Ring
19	1747189	1		Pin
20	1758272	1		Stationary Guide (Incl. Ref. No. 21)
21	1758272	1		Sliding Guide (Incl. Ref. No. 20)
22	N/A	2		Flat Washer, 1/2" Common Hardware-Purchase Locally. Grade 5 or better where applicable.
23	1186391	42	S	Flange Lock Nut, 5/16-18
24	N/A	2		Cotter Pin, 1/8" x 1" Common Hardware-Purchase Locally. Grade 5 or better where applicable.
25	1751070	1		Lift Rod
26	1185803	1		Grease Fitting
27	1757950001	1		Lift Shaft Assembly
28	1754944001	1		Fender Support Assembly
29	1758842001	1		Rear Panel Assembly
30	1740984001	2		Axle Support
31	1759450001	1		Lift Lever Assembly
32	1185388	2	S	Retaining Ring
33	1177567	1	S	Retaining Ring
34	1755847001	1		Rear Frame
35	1742934	4		Angle Bracket Speed Nut
36	1751284	1		Steering Shaft
37	1730375	A/R		Shim Washer
38	1747303	1		Flange Bearing
39	1750594	1		Steering Support Assembly
40	1715301	1	/P	Thrust Washer
41	1750501	1		Sector Gear Assembly
42	1185386	2	/P	Flange Bearing
43	1113527	1	S	Retaining Ring
44	1747315001	1		Bracket
45	1750581	1		Spindle Arm Assembly

3312HRS ST 120 (S/N B390200101-B390399999)
FRAME, LIFT & STEERING ASSEMBLY

Page 10 of 21

Ref #	Part Number	Qty	S/P/F	Description
46	N/A	2		Hex Head Screw, 3/8-16 x 2-1/4 Common Hardware-Purchase Locally. Grade 5 or better where applicable.
47	1733398	4	S	Hex Lock Nut, 3/8-16 Common Hardware-Purchase Locally. Grade 5 or better where applicable.
48	1708755	4		Flat Washer, 3/8" Common Hardware-Purchase Locally. Grade 5 or better where applicable.
49	1110150	2	S	Lock Nut, 3/8-24
50	1716180	2		Ball Joint
51	1186247	2	S	Jam Hex Nut, 1/2-20
52	1750499001	1		Steering Rod
53	1747316001	1		Bracket
54	1750811001	1		Attachment Bracket
55	1186345	4	/P	Flange Hex Screw, 3/8-16 x 3/4
56	1186393	4	/P	Flange Hex Nut, 3/8-16
57	1758231	1	S	Hex Lock Nut, 5/8-11
58	178232	1		Hex Head Screw, 5/8-11 x 2-1/2 (Grade 5)
59	1750486001	1		Spindle Assembly, LH
60	1750490001	1	/P	Spindle Assembly, RH
61	1720341	4		Flange Bearing
62	1718086	2	S	Valve Stem
63	1185976	4	S	Grease Fitting
64	1757981	2		Wheel (Incl. Refs. 61 & 63)
65	1763072	2	S	Tire, 15 x 6.00-6
66	1742133	4	S	Flange Bearing
67	1185388	4	S	Retaining Ring
68	1701447	A/R	/P	Washer
69	1750494001	1		Front Axle Assembly
70	1750841001	1		Tie Rod
71	1742343001	1		Front Frame
72	1744320	1		Belt Guide
73	1744444	2	/P	Wheel Cap
74	1185830	A/R	S	Special Washer
75	1747320	1		Cable Guide
76	N/A	2		Hex Screw, 3/8-16 x 1-1/4 Common Hardware-Purchase Locally. Grade 5 or better where applicable.
77	1756177	2		Pulley
78	1747322	2		Spacer
79	1751715001	2		Bracket
80	1754179	1	/P	Push Link

3312HRS ST 120 (S/N B390200101-B390399999)
HYDROSTATIC & BRAKE ASSEMBLY



3312HRS ST 120 (S/N B390200101-B390399999)
HYDROSTATIC & BRAKE ASSEMBLY

Page 12 of 21

Ref #	Part Number	Qty	S/P/F	Description
1	1755883001	0		ASSM-PEDAL
2	1753188	0		BLOCK-PIVOT
3	1185802	0		BEARING-FLANGE
4	1756687001	0		SUPT-HYD PEDAL
5	0	0	F	N/A
6	1755880	0		ASSM-CONTROL ARM
7	1753190	0		SPRING-TORSION
8	1120209	0		PIN-ROLL .188X.75
9	1755878	0		ROD-SPEED CONTROL
10	0	0	F	N/A
11	0	0	F	N/A
12	1751597	0	/P	BELT
13	1733398	0	S/F	NUT-LOCK 3/8-16
14	1749904	0		BOLT-EYE
15	1714233	0		BUSHING-.68X.62X.15 FLNG
16	1746942	0		ROD-CLUTCH
17	1751879	0		ASSM-ARM
18	1760321	0		SCR-ADJ
19	1186247	0	S	NUT-JAM
20	1751022	0		SPRING-COMP.
21	1753170	0		ROD-BRAKE
22	0	0	F	N/A
23	1751880	0		ASSM-ARM
24	1751063	0		ROD-BRAKE LOCK
25	1755787001	0		SUPPORT-TANK
26	0	0	F	N/A
27	1756049	0		ASSM-BRAKE PEDAL
28	0	0	F	N/A
29	1728694	0	/P	FOOT REST
30	0	0	F	N/A
31	1751809	0	/P	SPRING-TORSION
32	1715538	0	/P	BUSHING-.5X.5 NYLON FLNG
33	1746941001	0		ASSM-IDLER ARM
34	1760096	0	/P	GUIDE-BELT
35	0	0	F	N/A
36	1756151	0	/P	IDLER
37	0	0	F	N/A
38	1756144	0		LATCH
39	1185879	0	/P	RIVET-POP
40	1186309	0	/P	SCR-HH 1/4-20X.625
41	1186389	0	/P	NUT-HF/LK 1/4-20 ZP
42	1118554	0	S	RING-RETAINING
43	1747872	0		WASHER-1.88X1.015X.06 ZP
44	1756867	0		TIRE
45	1718086	0	S	STEM-VALVE
46	1757984	0		WHEEL-REAR
47	1760193	0		SHEAVE-HYDRO
48	0	0	F	N/A
49	1753186	0		ASSM-ADJUSTOR BLOCK
50	1753199	0		ASSM-SPEED CONT ARM
51	0	0	F	N/A
52	1753193	0		ASSM-PIVOT SHAFT
?53	1118799	0		RING-RET.EXT .375 ID

3312HRS ST 120 (S/N B390200101-B390399999)
HYDROSTATIC & BRAKE ASSEMBLY

Page 13 of 21

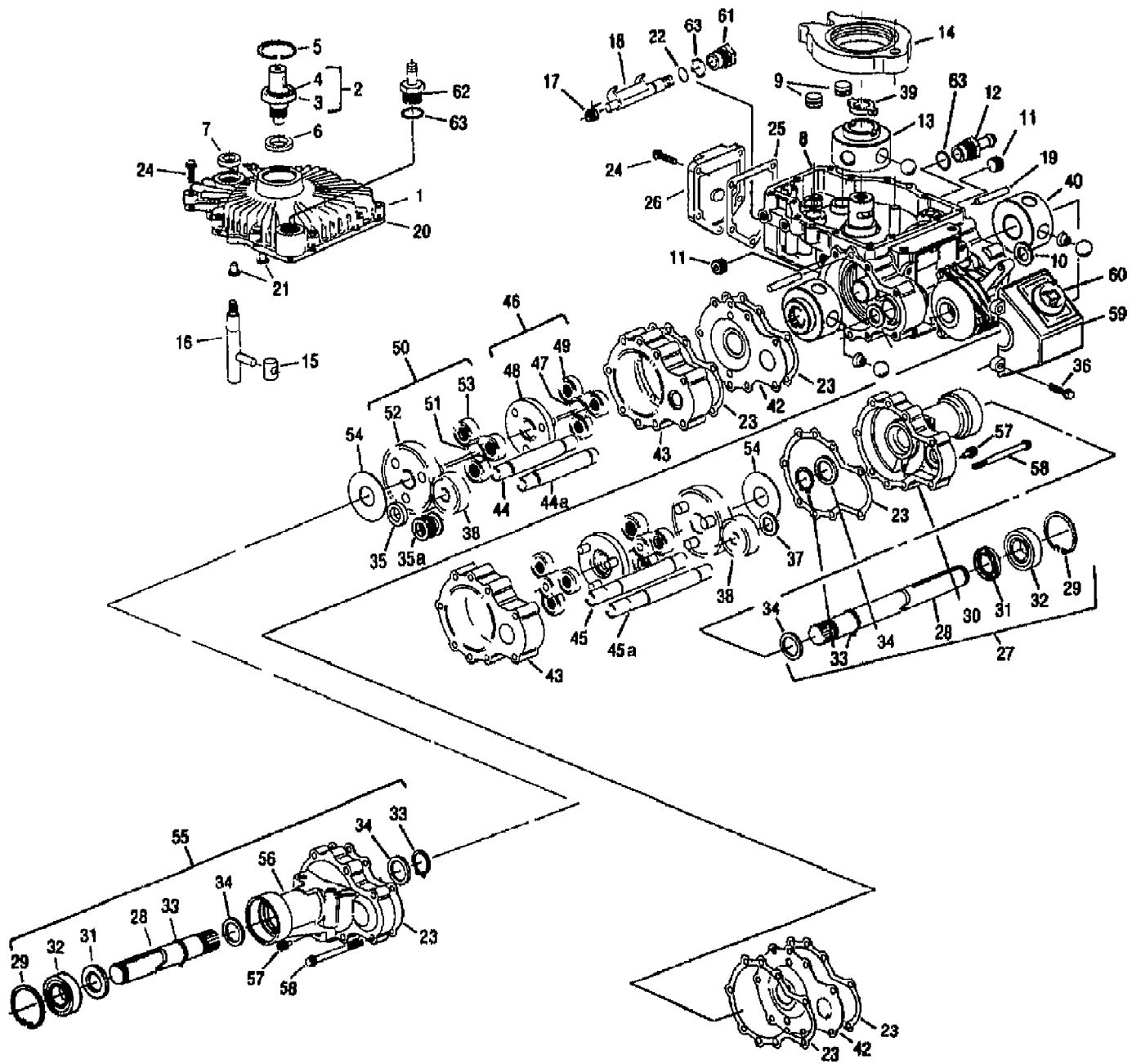
Ref #	Part Number	Qty	S/P/F	Description
54	0	0	F	N/A
55	1120209	0	F	PIN-ROLL .188X.75
56	1756134	0		WASHER-1.0X.281X.179 ZP
57	1760370	0	/P	FAN-HYDRO TRANSMISSION
58	0	0	F	N/A
59	0	0	F	N/A
60	1753189	0		PIN-DOWEL .375 X 2.51
61	0	0	F	N/A
62	1756175	0		JOINT-BALL
63	1754953	0		ASSM-BRAKE ARM {3312HR,3312HRS}
63	1762704	0		ASSM-BRAKE ARM {3312HR,3312HRS}
64	1756627	0		GUIDE
65	1734398	0	S/F	NUT-HT LK 1/4-20
66	1893445	0	S	WASHER-FLAT
67	1755584001	0		BRACKET-INTERLOCK
68	1729482	0		SPRING
69	1186327	0	/P	SCR-HFLK 5/16-18X.50 ZP
70	1186330	0	S	SCR-LOCK
71	1186391	0	S	NUT-HFLK 5/16-18 ZP
72	1754946001	0		BRACE-TRANSAXLE
73	1747186	0		CAP-PUSH ON
74	1751808001	0		ASSM-LEVER SUPP
75	1747166	0	/P	SCR-SET 1/4-28X.38 HXSKT
76	1754951	0		BRAKE-LINK {3312HR,3312HRS}
76	1764131	0		LINK-BRAKE {3312HR,3312HRS}
77	1755929	0		GUIDE-BELT
78	1755930	0		GUIDE-BELT
79	0	0	F	N/A
80	1754947	0		SUPPORT-SHAFT
80	1762599	0		SUPPORT-SHAFT
81	0	0	F	N/A
82	1755928	0		BEARING-FLANGED
83	1732499	0	/P/F	NUT-TOP/LK 5/16-18 ZP
?84	1755939	0		ASSM-JACKSHAFT
85	1739919	0		NUT-SPEED
86	0	0	F	N/A
87	1726660	0	S	PULLEY-IDLER
88	0	0	F	N/A
89	1713783	0		SPACER-.62X.406X.56 ZP
90	1747873	0	/P	CAP-WHEEL
91	1177567	0	S	RING-RETAINING
92	1748491	0		PIVOT
93	1754948	0		SHROUD-FAN
94	0	0	F	N/A
95	1755822	0		HOSE-FUEL 18"
96	1756626	0		CLAMP-HOSE
97	1755088	0		ASSM-OIL RESERVOIR
98	1705093	0	S	WASHER-1.0X.64X.029
99	1705092	0	S	WASHER-1.0X.64X.09
100	0	0	F	N/A
101	1701449	0		SHIM-1.25X1.01X.06
102	1762190	0	F	KIT-CONVERSION W/HYDRO
102	1762791	0	F	TRANS-HYDRO

3312HRS ST 120 (S/N B390200101-B390399999)
HYDROSTATIC & BRAKE ASSEMBLY

Page 14 of 21

Ref #	Part Number	Qty	S/P/F	Description
103	1755823	0		HOSE
104	1761191	0		NUT-HEX/JAM 3/8-24

3312HRS ST 120 (S/N B390200101-B390399999)
HYDROSTATIC DIFFERENTIAL ASSEMBLY 750-024



3312HRS ST 120 (S/N B390200101-B390399999)
HYDROSTATIC DIFFERENTIAL ASSEMBLY 750-024

Page 16 of 21

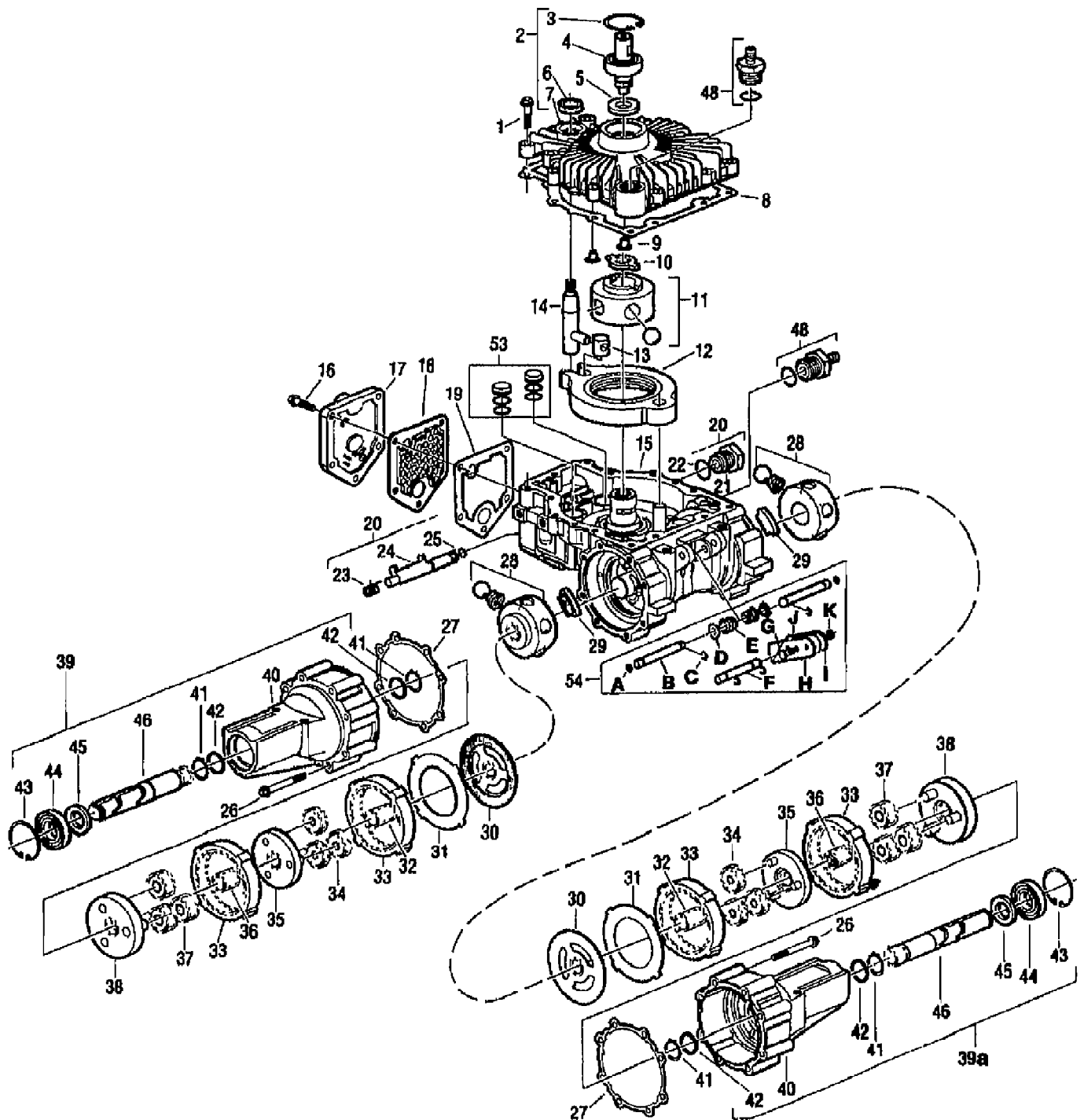
Ref #	Part Number	Qty	S/P/F	Description
1	1761982	0		COVER-TRANS AXLE
2	1761983	0		ASSM-SHAFT & BRG
3	0	0		N/A
4	0	0		N/A
5	1757372	0		RING-RETAINING INTERNAL
6	1761984	0	S	SEAL-OIL
7	1757374	0		SEAL-CONTROL SHAFT
8	1757680	0		HOUSING-S/A CW
9	1757681	0		PISTON-DAMPENING S/A
10	1757682	0		SHAFT-SEAL BRAKE
11	1757683	0		PIPE-PLUG SOCKET
12	1757684	0		TUBE-ADPT RESVR 3/8 ID
13	1757685	0		PUMP-ROTOR BALL S/A
14	1757686	0		RING-CAM S/A
15	1757687	0		INSERT
16	1757688	0		SHAFT-CONTROL S/A
17	1757375	0		SPRING-DUMP VALVE
18	1757376	0	/P	BRACKET
19	1757689	0		DOWEL
20	1757690	0		GASKET-COVER
21	1757691	0		BUTTON
22	1757377	0		RING-O
23	1757692	0		GASKET-AXLE HOUSING
24	1757693	0		SCR-.14-20 HEX FLANGE
25	1757378	0		GASKET
26	1757694	0		COVER-VALVE
27	1757695	0		HOUSING-AXLE S/A-B
28	1757696	0		SHAFT-AXLE
29	1757697	0		RING-RETAINING INTERNAL
30	1757698	0		HOUSING-AXLE B
31	1757699	0	S	SEAL-AXLE AHAFT
32	1757700	0		BEARING
33	1757701	0		RING-RETAIN EXTERNAL
34	1757702	0		WASHER-THRUST
35	1757703	0		SPACER (THICK-PB)
35A	1757704	0		WASHER-THRUST (DL/PB)
?35B	1757705	0		BEARING-THRUST (DL/PB)
36	1757706	0		SCR-1/4-20 SELF TAP
37	1757707	0		SPACER (THIN PB OR DL/PB)
38	1757708	0		GEAR-BRAKE
39	1757709	0		DRIVE
40	1757710	0		MTR RTR-BALL S/A A&B 18T
?41	1757713	0		ASSM-DL/PB
42	1757714	0		PLATE-WEAR
43	1757715	0		RING-GEAR S/A A&B 54T
44	1757716	0		SHAFT-BRAKE A (PB)
44A	1757717	0		SHAFT-BRAKE A (DL/PB)
45	1757718	0		SHAFT-BRAKE B (PB)
45A	1757719	0		SHAFT-BRAKE B (DL/PB)
46	1757720	0		PLANETARY GR 1ST S/A A&B
47	1757721	0		SUN GEAR
48	1757722	0		PRIMARY CARRIER
49	1757723	0		PINT. GEAR

3312HRS ST 120 (S/N B390200101-B390399999)
 HYDROSTATIC DIFFERENTIAL ASSEMBLY 750-024

Page 17 of 21

Ref #	Part Number	Qty	S/P/F	Description
50	1757724	0		PLANETARY GR 2ND S/A A&B
51	1757725	0		SUN GEAR
52	1757726	0		CARRIER-SECONDARY
53	1757727	0		PINT. GEAR
54	1757728	0		WASHER-THRUST
55	1757729	0		HOUSING-AXLE
56	1757732	0		HOUSING-AXLE A
57	1757736	0		PLUG-MAGNETIC
58	1757737	0		SCR-1/4-20 HEX FLANGE
59	1757738	0		COVER (PB OR DL/PB)
60	1757739	0		BOOT-DUST
61	1757740	0		NUT-DUMP VALVE
62	1757741	0		ADPT-RESVR 3/8 ID TUBE
63	1757381	0		RING-O
	1757380	0	F	KIT-GASKET OVERHAUL
83		0		UNKNOWN

3312HRS ST 120 (S/N B390200101-B390399999)
HYDROSTATIC DIFFERENTIAL ASSEMBLY 751-047



Ref #	Part Number	Qty	S/P/F	Description
1		0		UNKNOWN
2		0		UNKNOWN
3		0		UNKNOWN
4	1760892	0		SHAFT-INPUT
5	1760893	0	S	SEAL-OIL
6	1757374	0		SEAL-CONTROL SHAFT
7		0		UNKNOWN
8		0		UNKNOWN
9		0		UNKNOWN
10		0		UNKNOWN
11		0		UNKNOWN
12		0		UNKNOWN
13		0		UNKNOWN
14		0		UNKNOWN
15		0		UNKNOWN
16		0		UNKNOWN
17		0		UNKNOWN
18	1764020	0		FILTER-INTERNAL
19	1764021	0		GASKET-VALVE COVER
20		0		UNKNOWN
21		0		UNKNOWN
22		0		UNKNOWN
23		0		UNKNOWN
24	1757376	0	/P	BRACKET
25	1757377	0		RING-O
26		0		UNKNOWN
27		0		UNKNOWN
28		0		UNKNOWN
29		0		UNKNOWN
30		0		UNKNOWN
31		0		UNKNOWN
32		0		UNKNOWN
33		0		UNKNOWN
34		0		UNKNOWN
35		0		UNKNOWN
36		0		UNKNOWN
37		0		UNKNOWN
38		0		UNKNOWN
39		0		UNKNOWN
39A		0		UNKNOWN
40		0		UNKNOWN
41		0		UNKNOWN
42		0		UNKNOWN
42		0		UNKNOWN
43		0		UNKNOWN
44	1757700	0		BEARING
45		0		UNKNOWN
46		0		UNKNOWN
48		0		UNKNOWN
53		0		UNKNOWN
54		0		UNKNOWN
A		0		UNKNOWN
B		0		UNKNOWN

3312HRS ST 120 (S/N B390200101-B390399999)
HYDROSTATIC DIFFERENTIAL ASSEMBLY 751-047

Ref #	Part Number	Qty	S/P/F	Description
C		0		UNKNOWN
D		0		UNKNOWN
E		0		UNKNOWN
F		0		UNKNOWN
G		0		UNKNOWN
H		0		UNKNOWN
I		0		UNKNOWN
J		0		UNKNOWN
K		0		UNKNOWN

3312HRS ST 120 (S/N B390200101-B390399999)
WIRING DIAGRAM

