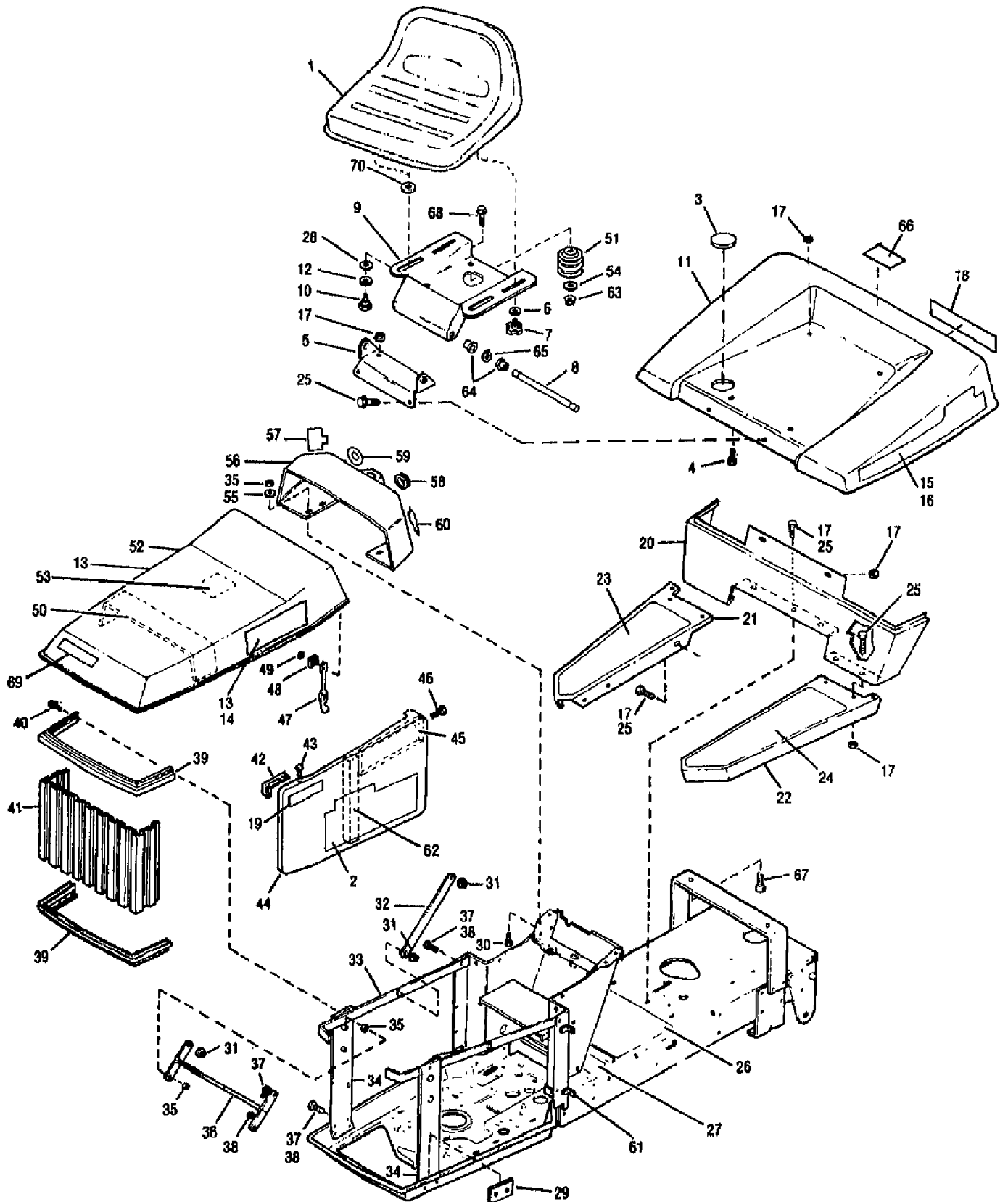


3214HRS ST 140 (S/N B400100101-B400102100)
BODYWORK & TRIM ASSEMBLY



3214HRS ST 140 (S/N B400100101-B400102100)
BODYWORK & TRIM ASSEMBLY

Page 2 of 21

Ref #	Part Number	Qty	S/P/F	Description
1	1756861	0		SEAT {3214HR,3214HRS,3312HR}
1	1759105	0		SEAT {3312HR,3312HRS}
1	1759106	0		SEAT-TRACTOR {3016HR,3016HRS}
2	1757281	0		DECAL-SIDE COVER LH {3212HR,3114HR}
2	1757282	0		DECAL-SIDE COVER RH {3212HR,3114HR}
2	1757939	0		DECAL-SIDECVR LH RED {3312HR,3212HRS,3214HR, 3214HRS,3016HR,3016HRS}
2	1757938	0		DECAL-SIDECVR RH RED {3312HR,3312HRS,3214HR, 3214HRS,3016HR,3016HRS}
3	1755790	0		PLUG
4	1736098	0	S	BOLT-CARR 5/16-18X.63 ZP
5	1756466STB	0		BRACKET-PIVOT
6	0	0		FLAT WASHER 3/8
7	1734269	0		KNOB
8	1755622	0		ROD
9	1755620STB	0		ASSM-SEAT SUPPORT
10	1754125	0	/P	SCR-SHLDR 3/8-16X.25 G5ZP
11	1755848GAR	0		FENDER-REAR
12	1705793	0		WASHER-1.06X.51X.09 NYLON
13	1757280	0		DECAL-HOOD RH {3212HR,3114HR}
13	1757937	0		DECAL-LOGO {3214HR,3214HRS,3312HR}
13	1759100	0		DECAL-LOGO {3312HR,3312HRS,3016HR,3016HRS, 3214HRS}
14	1757279	0		DECAL-HOOD LH {3212HR,3114HR}
14	1757937	0		DECAL-LOGO {3312HR,3214HR}
15	1757286	0		DECAL-FENDER RH {3212HR}
15	1757284	0		DECAL-FENDER RH {3114HR}
15	1757942	0		DECAL-FENDER RH RED {3312HR,3312HRS}
15	1757944	0		DECAL-FENDER RH RED {3214HR,3214HRS}
15	1759104	0		DECAL-FENDER {3016HR,3016HRS}
16	1757285	0		DECAL-FENDER LH {3212HR}
16	1757283	0		DECAL-FENDER LH {3114HR}
16	1757943	0		DECAL-FENDER LH RED {3312HR,3312HRS}
16	1757945	0		DECAL-FENDER LH RED {3214HR,3214HRS}
16	1759103	0		DECAL-FENDER LH {3016HR,3016HRS}
17	1186391	0	S	NUT-HFLK 5/16-18 ZP
18	1757254	0		DECAL-LOGO {3212HR,3114HR}
18	1757936	0		DECAL-LOGO FENDER {3214HR,3214HRS,3312HR}
18	1759102	0		DECAL-LOGO FENDER {3312HR,3312HRS,3016HR, 3016HRS,3214HRS}

3214HRS ST 140 (S/N B400100101-B400102100)
BODYWORK & TRIM ASSEMBLY

Page 3 of 21

Ref #	Part Number	Qty	S/P/F	Description
19	1757277	0		DECAL {3212HR,3114HR}
20	1743987GAR	0		SUPT-RUNNING BOARD
21	1751805GAR	0		BOARD-RUNNING RH
22	1751803GAR	0		BOARD-RUNNING LH
23	1756888	0		PAD-FOOT RH {3212HR,3016HR,3016HRS,3312HR, 3312HRS}
23	1757915	0		PAD-FOOT RH {3114HR,3214HR,3214HRS}
24	1756890	0		PAD-FOOT LH
25	1186330	0	S	SCR-LOCK
26	1756889	0		PAD-FOOT
27	1755945	0		DECAL-INSTRUCTION
28	1706782	0	/P	WASHER-BOW .74X.52X.01
29	1754415	0		SPACER-PLATE
30	0	0		HEX HD. SCREW
31	1747836	0	S	RETAINER-PUSH ON .24X.73 ZP
32	1742459GAR	0		LINK-HINGE
33	1758587GAR	0		ASSM-HINGE STRAP
34	1752914GAW	0		ASSM-GRILLE SUPPORT {3212HR,3114HR}
34	1752914STB	0		ASSM-GRILLE SUPT (RED)
35	1734398	0	S	NUT-HT LK 1/4-20
36	1742458GAR	0		LINK-HINGE
37	1186309	0	/P	SCR-HH 1/4-20X.625
38	1186389	0	/P	NUT-HF/LK 1/4-20 ZP
39	1742493GAW	0		CAP-GRILLE {3212HR,3114HR}
39	1742493GAR	0		CAP-GRILLE {3312HR,3312HRS,3214HR,3214HRS, 3016HR,3016HRS}
40	0	0		HEX HD. SCREW
41	1742494GAW	0		GRILLE-BLACK {3212HR,3114HR}
41	1742494STB	0		GRILLE-BLACK {3312HR,3214HR}
42	1743566	0		GUIDE-SIDECOVER {3212HR,3114HR}
42	1753912	0		GUIDE-SIDE CVR (RED) {3312HR,3312HRS,3214HR, 3214HRS}
43	1186059	0		RIVET-POP .125 {3212HR,3114HR}
43	1756629	0		RIVET-POP {3312HR,3312HRS,3214HR,3214HRS}
44	1743554GAW	0		COVER-SIDE LH {3212HR,3114HR}
44	1743554GAR	0		COVER-SIDE LH RED {3312HR,3312HRS,3214HR, 3214HRS,3016HR,3016HRS}
44	1743553GAW	0		COVER-SIDE RH {3212HR,3114HR}
44	1743553GAR	0		COVER-SIDE RH RED TRACTOR {3312HR,3312HRS, 3214HR,3214HRS,3016HR,3016HRS}
45	1744065	0		BLOCK-SEALING {3114HR,3214HR,3214HRS,3016HR, 3016HRS}
46	0	0		SCREW
47	1727127	0		LATCH-RUBBER

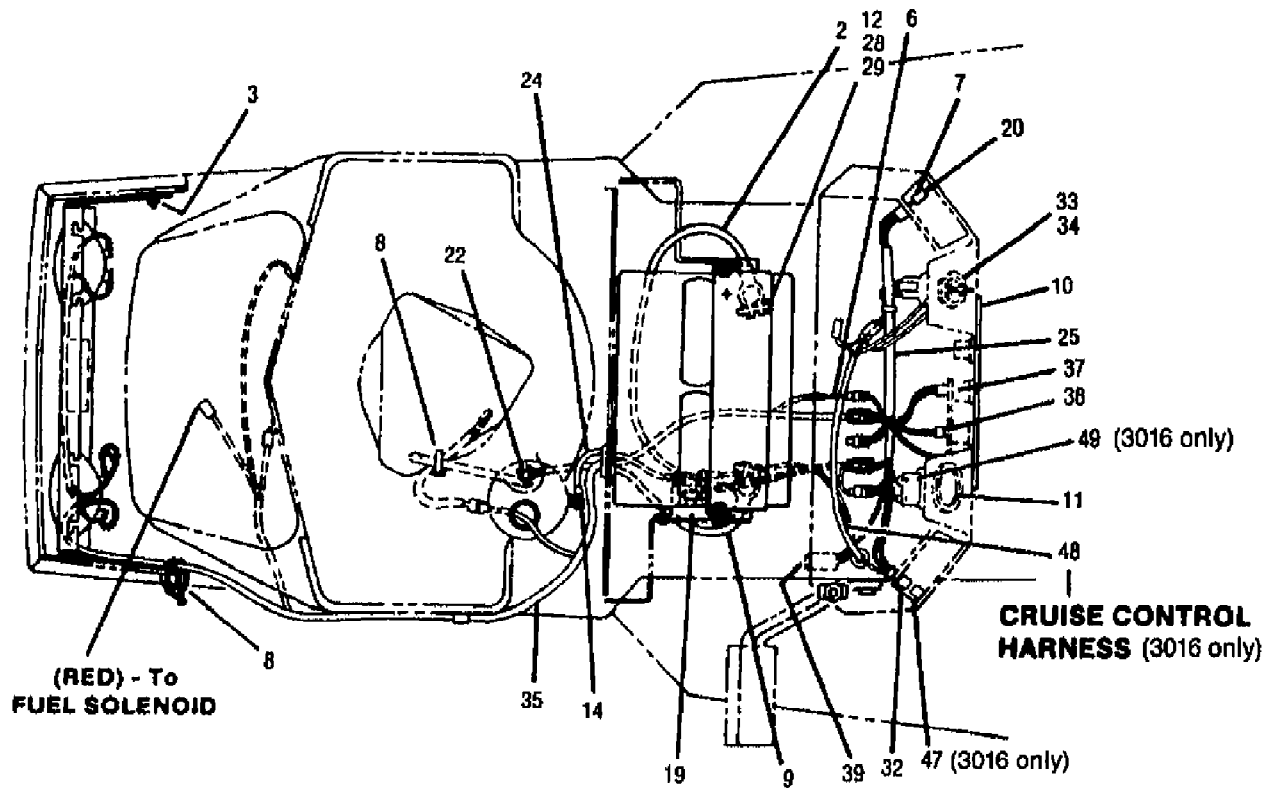
3214HRS ST 140 (S/N B400100101-B400102100)
BODYWORK & TRIM ASSEMBLY

Page 4 of 21

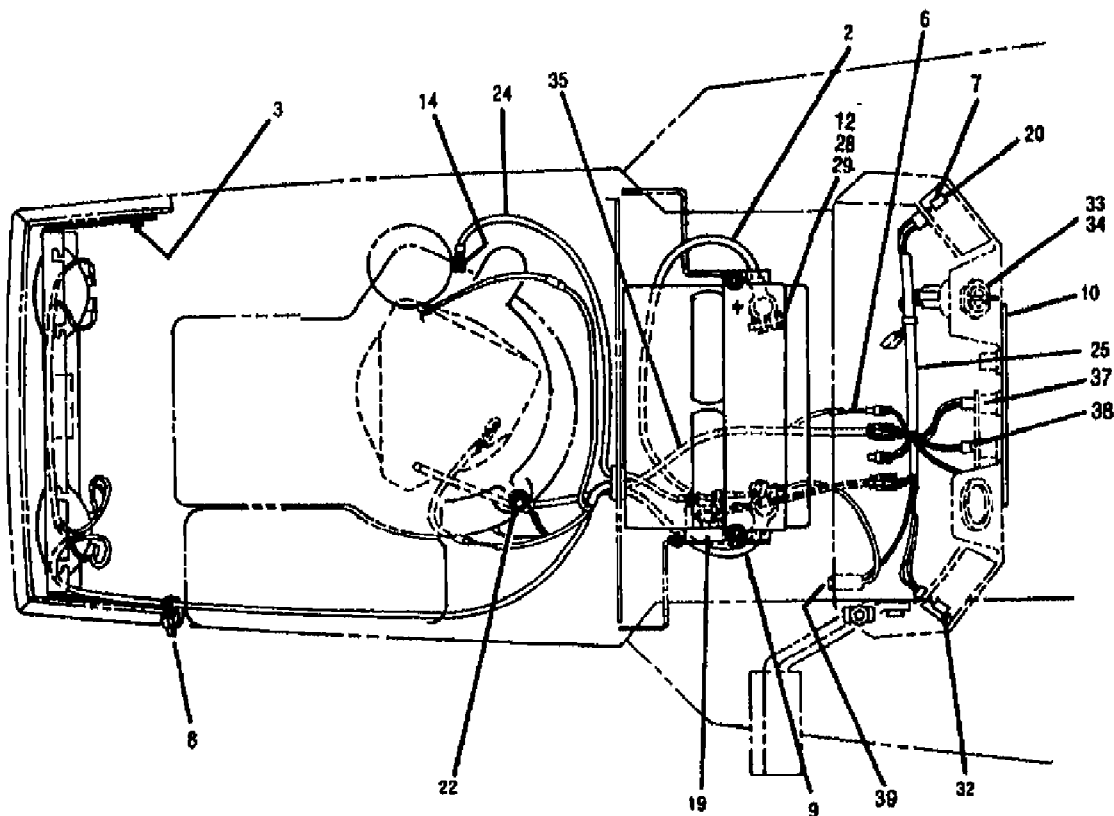
Ref #	Part Number	Qty	S/P/F	Description
48	1727126	0	/P	CLIP
49	1185985	0	S	NUT W/LKWASHER 10-24 ZP
50	1744067	0		STRIP-SEALING {3114HR,3214HR,3214HRS,3016HR, 3016HRS}
51	1755449	0	/P	SPRING-COMPRESSION
52	1744051GAW	0		ASSM-HOOD {3212HR,3114HR}
52	1744051GAR	0		ASSM-HOOD RED {3312HR,3312HRS,3214HR, 3214HRS,3016HR,3016HRS}
53	1756876	0		DECAL-SVC INST
54	1701055	0	/P	WASHER-FLAT 1.25X.406X.179
55	0	0		FLAT WASHER
56	1753039	0		PANEL-INSTRUCTION
57	1756871	0	/P	DECAL-THROTTLE {3114HR,3214HR,3214HRS}
57	1755931	0		DECAL-THROTTLE {3212HR,3312HR,3312HRS}
58	1756739	0		CAP
59	1755932	0		DECAL-IGNITION
60	1755933	0		DECAL-CHOKE
61	1742934	0		NUT-SPEED
62	1754614	0		STRIP-SEALING {3114HR,3016HR,3016HRS,3312HR, 3214HRS}
63	1186393	0	/P	NUT-HFLK 3/8-16 ZP
64	1755779	0	/P	BEARING-FLANGE
65	1185257	0	S	RING-RET."E" .300 ID
66	1757366	0		DECAL-FUEL
67	1736098	0	S	BOLT-CARR 5/16-18X.63 ZP
68	1186347	0	S	SCR-HFLK 3/8-16X1.00 ZP
69	1757276	0		DECAL-MODEL {3212HR,3114HR}
69	1757935	0		DECAL-LOGO {3312HR,3314HR}
69	1759101	0		DECAL-LOGO {3312HR,3312HRS,3016HR,3016HRS, 3214HRS}
70	1893445	0	S	WASHER-FLAT

3214HRS ST 140 (S/N B400100101-B400102100)
ELECTRICAL ASSEMBLY

MODELS 3214HR, 3214HRS, 3114HR, 3016HR & 3016HRS



MODELS 3312HR, 3312HRS & 3212HR



3214HRS ST 140 (S/N B400100101-B400102100)
ELECTRICAL ASSEMBLY

Page 6 of 21

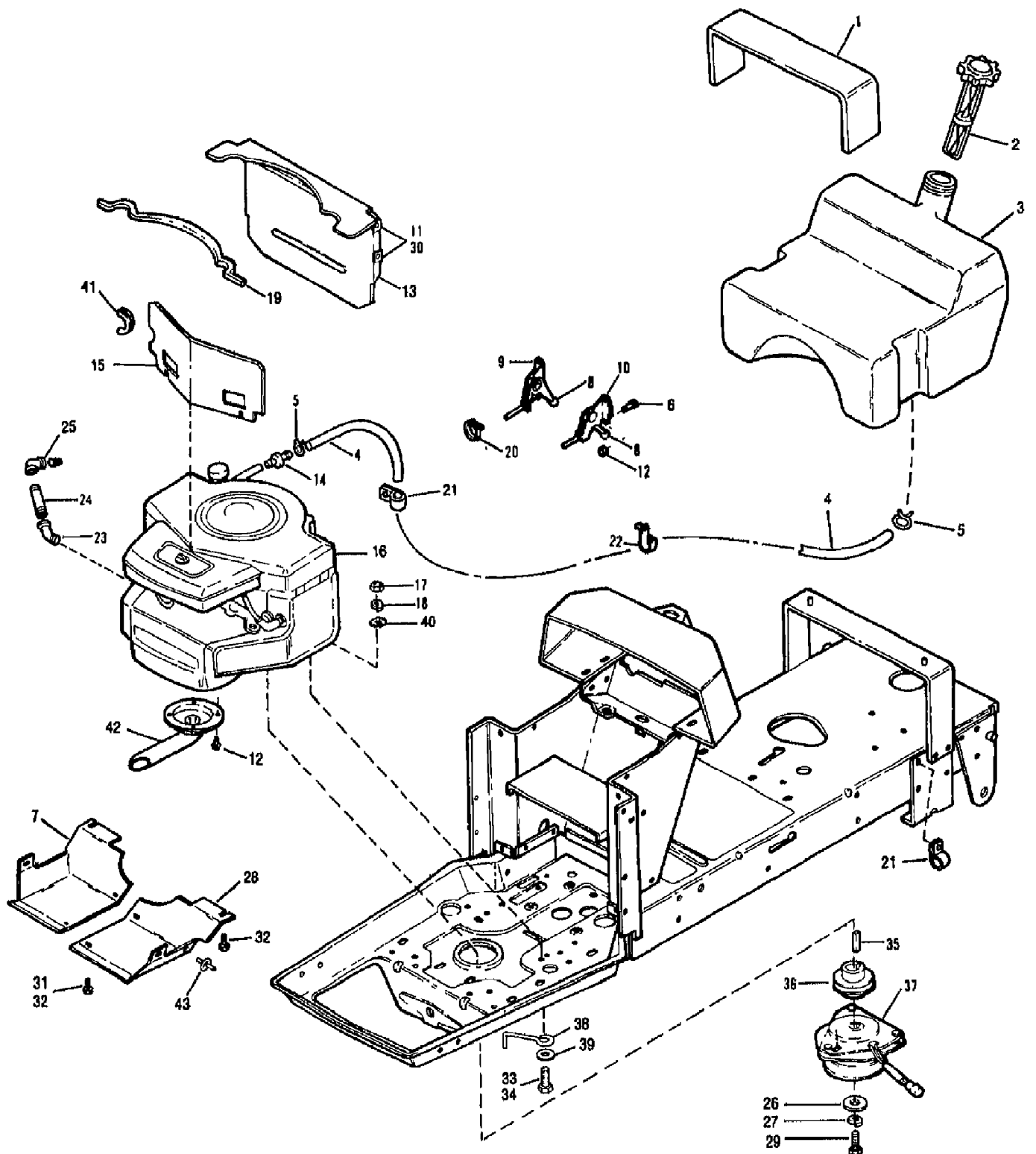
Ref #	Part Number	Qty	S/P/F	Description
?1	1751088	0		HARNESS-ACTUATOR {3214HR,3114HR}
2	1756074	0	/P	CABLE-BATTERY (+)
3	1186389	0	/P	NUT-HF/LK 1/4-20 ZP
?4	1744021STB	0		SUPPORT-LIGHT
?5	1726435	0		HEADLAMP
6	1755616	0		ASSM-DIODE {3214HR,3114HR,3312HR,3212HR}
7	1750978	0	/P	SWITCH-ELEC LIFT {3214HR,3114HR}
8	1735531	0	S	TIE-CABLE NYLON BLACK
9	1756075	0		CABLE-BATTERY (-)
10	1756872	0		LENSE
10	1759139	0		LENSE-INST PANEL TRACTOR {3016HR,3016HRS}
11	1754550	0		METER-HOUR (TRACTOR)
12	0	0	F	N/A
?13	0	0	F	N/A
14	1734398	0	S	NUT-HT LK 1/4-20
?15	1752586	0		BOLT-HOOK
?16	0	0	F	N/A
?17	1185985	0	S	NUT W/LKWASHER 10-24 ZP
?18	1752840	0		BATTERY
19	1752137	0	S	SOLENOID
20	1750963	0		SCR-FHP #6-32X.50 ZP
?21	1744022	0		RETAINER
22	0	0	F	N/A
?23	1748014	0		GROMMET-SPLIT
24	1722081	0		CABLE-STARTER {3214HR,3114HR,3016HR,3016HRS}
24	1741506	0		CABLE-STARTER {3312HR,3212HR}
25	1752134	0		HARNESS-CONSOLE WIRING
?26	1747738	0	/P	CLIP-J
?27	1756630	0		PAD-RUBBER
28	0	0	F	N/A
29	0	0	F	N/A
?30	1756076	0		HARNESS-INTERLOCK {3214HR,3114HR,3312HR, 3212HR}
?30	1756180	0		HARNESS-INTERLOCK {3016HR,3016HRS}
?31	1754608	0	/P	SWITCH-PTO
32	1754856	0		SWITCH-LIGHT
33	1754250	0	S	SWITCH-IGNITION
34	1753986	0	/P	KEY-IGNITION
35	1752136	0		HARNESS-ENGINE {3214HR,3114HR}
35	1752908	0		HARNESS-WIRE ENGINE {3312HR,3212HR}
35	1754676	0		HARNESS {3016HR,3016HRS}
?36	1755802	0	/P	BATTERY-HOLDDOWN
37	1751572	0	S	BULB (MFG NO. GE 73)
38	1186020	0		SCR-PHP M6-32X.38 ZP
39	1743516	0	S	FUSE-30 AMP
?40	1752809	0		GROMMET
?41	1751328	0	S	SWITCH

3214HRS ST 140 (S/N B400100101-B400102100)
ELECTRICAL ASSEMBLY

Page 7 of 21

Ref #	Part Number	Qty	S/P/F	Description
?42	1747353	0		HARNESS-ELEC LIFT {3214HR,3114HR}
?43	1755349	0		SCR-PHP 1/4-20X.50 ZP
?44	1752506	0	/P	SWITCH-SEAT
?45	1755487	0		GROMMET
?46	1754934	0		DECAL
47	1754607	0	S	SWITCH-SPEED CONTROL {3016HR,3016HRS}
48	1744678	0		HARNESS, CRUISE
49	1749907	0	/P	RELAY-SPEED CONTROL {3016HR,3016HRS}
?50	1756182	0		BLOCK {3016HR,3016HRS}
?51	1758070	0	S	SCR-HHS 10-24X.625 ZP {3016HR,3016HRS}
?52	1751340	0	/P	SWITCH {3016HR,3016HRS}

3214HRS ST 140 (S/N B400100101-B400102100)
ENGINE ASSEMBLY

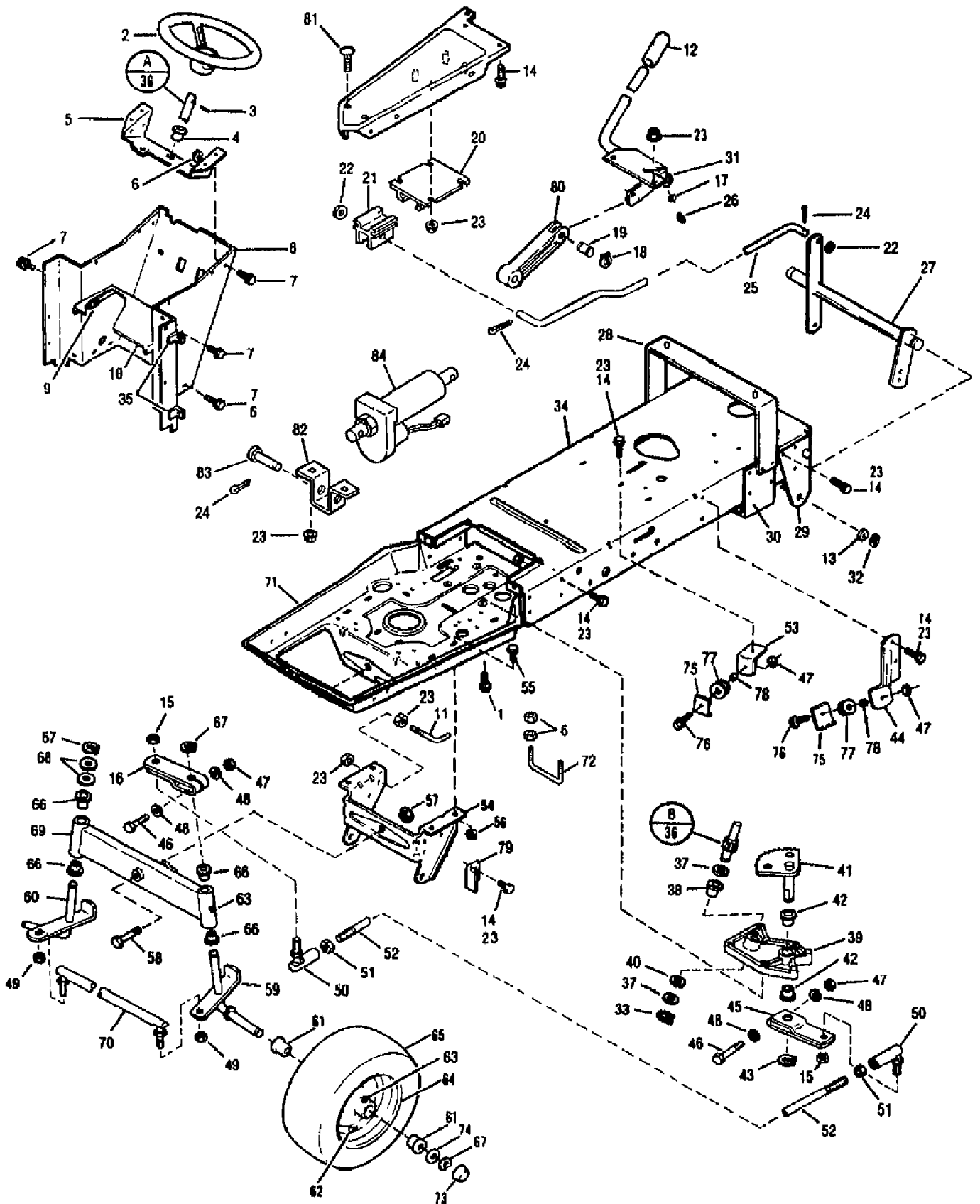


3214HRS ST 140 (S/N B400100101-B400102100)
ENGINE ASSEMBLY

Page 9 of 21

Ref #	Part Number	Qty	S/P/F	Description
1	1744390	0		PAD-FUEL TANK
2	1756044	0	S	CAP-GAS
3	1756460	0		TANK-FUEL
4	1752795	0		LINE-FUEL 52"
5	1750687	0	S	CLAMP-HOSE
6	1750962	0		SCR
7	1754564STB	0		SHIELD-HEAT RH
8	1737118	0	S	KNOB
9	1755904	0		THROTTLE-CONTROL
10	1755903	0		CHOKE-CONTROL
11	0	0		N/A
12	1185712	0		SCR
13	1752882GAR	0		SHIELD-HEAT {3114HR}
13	1752882STB	0		SHIELD-HEAT (RED) {3016HR,3016HRS,3214HR, 3214HRS}
14	1727491	0	S	FILTER-FUEL
15	1754578GAR	0		SHIELD-HEAT {3214HRS}
15	1754578STB	0		SHIELD-HEAT (RED) {3016HR,3016HRS,3214HR, 3214HRS}
16	0	0	F	ENGINE, B&S 14 HP MODEL 400707 {3214HR, 3114HR,3214HR}
16	0	0	F	ENGINE, B&S 16 HP MODEL 402707 {3016HR, 3016HRS}
17	0	0		N/A
18	0	0		N/A
19	1732137	0		SEALING-STRIP
20	1735531	0	S	TIE-CABLE NYLON BLACK
21	1747738	0	/P	CLIP-J
22	1745366	0		HANGER-CABLE
23	1743683	0		ELBOW-45 DEGREES
24	1743685	0		NIPPLE-PIPE
25	1743684	0		ELBOW-90 DEGREES
26	1744455	0	/P	WASHER-SPEC 1.42X.468X.25 ZP
27	0	0		N/A
28	1754563STB	0		SHIELD-HEAT LH
29	1744454	0	S	SCR-HH 7/16-20X3 G5 ZP
30	1185986	0	S	NUT-SPEED #10
31	1186389	0	/P	NUT-HF/LK 1/4-20 ZP
32	1186307	0	S	SCR
33	0	0		N/A
34	0	0		N/A
35	1187474	0		KEY-.25 SQ X 1.25
36	1742535	0		SHEAVE
37	1755341	0	S	CLUTCH-ELECTRIC
38	1754787	0	/P	CLUTCH-RETAINER
39	0	0		N/A
40	0	0		N/A
41	1754612	0		TRIM
42	1754887STB	0		PIPE-EXHAUST
43	1740752	0		RIVET-POP .125

3214HRS ST 140 (S/N B400100101-B400102100)
FRAME, LIFT & STEERING ASSEMBLY



3214HRS ST 140 (S/N B400100101-B400102100)
FRAME, LIFT & STEERING ASSEMBLY

Page 11 of 21

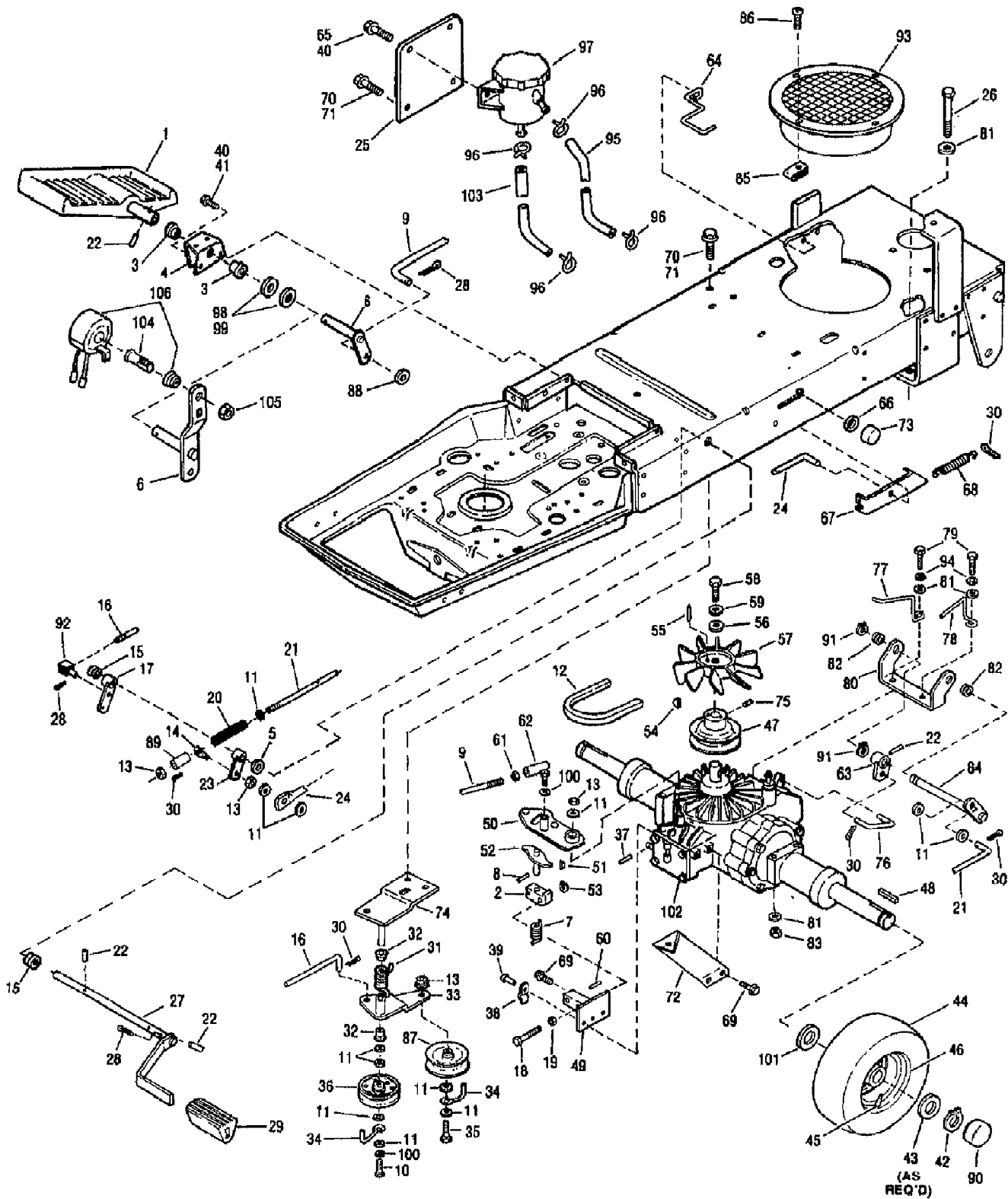
Ref #	Part Number	Qty	S/P/F	Description
1	1724491	0	S	SCR-HFLK 5/16-18X.75
2	1756862	0		WHEEL-STEERING
2	1757804	0		STEERING WHEEL {3016HR,3016HRS}
3	0	0		N/A
4	1185632	0		BEARING-FLANGED NYLON
5	1756608	0		SUPPORT-STEERING SHAFT
6	1186389	0	/P	NUT-HF/LK 1/4-20 ZP
7	1186309	0	/P	SCR-HH 1/4-20X.625
8	1758724GAR	0		INSTR. PANEL SUPPORT
8	1758797GAR	0		SUPT-INSTRUMENT PANEL {3016HR,3016HRS}
9	1185456	0		NUT-SPEED
10	1756073GAR	0		SUPPORT-BATTERY
11	1757291	0	/P	GUIDE-BELT
12	1703539	0	S	GRIP-FLEX {3212HR,3312HR,3016HR,3016HRS}
13	1185830	0	S	WASHER-1.38 X.765X .06 ZP
14	1186330	0	S	SCR-LOCK
15	1750957	0		NUT-HEX/JAM 1/2-20 ZP
16	1750495	0		ARM-STEERING
17	1805368	0		WASHER {3212HR,3312HR,3016HR,3016HRS}
18	1185427	0		RING-RETAINING {3212HR,3312HR,3016HR,3016HRS}
19	1747189	0		PIN {3212HR,3312HR,3016HR,3016HRS}
20	1758272	0		KIT-GUIDE (TRACTOR)
21	1758272	0		KIT-GUIDE (TRACTOR)
22	0	0		N/A
23	1186391	0	S	NUT-HFLK 5/16-18 ZP
24	0	0		N/A
25	1751070	0		ROD-LIFT
26	1185803	0		FITTING-GREASE {3212HR,3312HR,3016HR,3016HRS}
27	1754950GAR	0		ASSM-LIFT SHAFT
28	1754944GAR	0		ASSM-FENDER SUPPORT
29	1749801GAR	0		ASSM-PANEL REAR
30	1740984GAR	0		SUPT-AXLE
31	1749028GAR	0		ASSM-LIFT LEVER {3212HR,3312HR,3016HR, 3016HRS}
32	1185388	0	S	RING-RET."E".577 ID
33	1177567	0	S	RING-RETAINING
34	1755847GAR	0		FRAME-REAR
35	1742934	0		NUT-SPEED
36	1751284	0		SHIFT-STEER
37	1730375	0		WASHER-SHIM
38	1747303	0		BEARING
39	1750594	0		ASSM-STEER SUPT
40	1715301	0	/P	WASHER-1.115X.637X.06
41	1750501	0		ASSM-SECTOR GEAR
42	1185386	0	/P	BEARING-FLANGE

3214HRS ST 140 (S/N B400100101-B400102100)
FRAME, LIFT & STEERING ASSEMBLY

Page 12 of 21

Ref #	Part Number	Qty	S/P/F	Description
43	1113527	0	S	RING-RETAIN EXT .707 ID
44	1747315GAR	0		BRACKET
45	1750581	0		ASSM-ARM SPINDLE
46	0	0		N/A
47	1733398	0	S	NUT-LOCK 3/8-16
48	1708755	0		WASHER-.875X.390X.134
49	1110150	0	S	NUT-LOCK
50	1716180	0		JOINT-BALL
51	1186247	0	S	NUT-JAM
52	1750499GAR	0		ROD-STEER
53	1747316GAR	0		BRACKET
54	1750811GAR	0		BRKT-ATTACHMENT
55	1186345	0	/P	SCR
56	1186393	0	/P	NUT-HFLK 3/8-16 ZP
57	1758231	0	S	NUT-H/LK 5/8-11
58	1758232	0		SCR-HH 5/8-11X2.25 G5 ZP
59	1750486GAR	0		ASSM-SPINDLE LH
60	1750490GAR	0	S	ASSM-SPINDLE RH
61	1720327	0	S	BUSHING
62	1718086	0	S	STEM-VALVE
63	1185976	0	S	FITTING-GREASE 1/4-28X2.00
64	1757420GAW	0		WHEEL
64	1757981	0		WHEEL-RED {3312HR,3214HR}
65	1756864	0	S	TIRE
66	1742133	0	S	BUSHING
67	1185388	0	S	RING-RET."E".577 ID
68	1701447	0	/P	WASHER-1.25X.765X.049
69	1750494GAR	0		ASSM-FRONT AXLE
70	1750841GAR	0		ROD-TIE
71	1742343GAR	0		FRAME-FRONT
72	1744320	0		GUIDE-BELT
73	1744444	0	/P	CAP-WHEEL
74	1185830	0	S	WASHER-1.38 X.765X .06 ZP
75	1747320	0		GUIDE-CABLE
76	0	0		N/A
77	1756177	0		PULLEY-CABLE
78	1747322	0		SPACER-.75X.40X.51 P/M
79	1751715GAR	0		BRACKET
80	1754179	0	/P	LINK-PUSH
81	1736098	0	S	BOLT-CARR 5/16-18X.63 ZP {3114HR,3214HR}
82	1750307	0		BRACKET-LIFT {3114HR,3214HR}
83	1706419	0	S	PIN-CLEVIS .5X2.0 ZP {3114HR,3214HR}
84	1750450	0		ACTUATOR {3114HR,3214HR}

3214HRS ST 140 (S/N B400100101-B400102100)
HYDROSTATIC & BRAKE ASSEMBLY



3214HRS ST 140 (S/N B400100101-B400102100)
HYDROSTATIC & BRAKE ASSEMBLY

Page 14 of 21

Ref #	Part Number	Qty	S/P/F	Description
1	1757290GAR	0		ASSM-PEDAL
2	1753188	0		BLOCK-PIVOT
3	1185802	0		BEARING-FLANGE
4	1756687GAR	0		SUPT-HYD PEDAL
5	0	0		N/A
6	1755880	0		ASSM-CONTROL ARM
6	1756166	0		ASSM-CONT {3016HR,3016HRS}
7	1753190	0		SPRING-TORSION
8	1120209	0		PIN-ROLL .188X.75
9	1755878	0		ROD-SPEED CONTROL
10	0	0		N/A
11	0	0		N/A
12	1751597	0	/P	BELT
13	1733398	0	S	NUT-LOCK 3/8-16
14	1749904	0		BOLT-EYE
15	1714233	0		BUSHING-.68X.62X.15 FLNG
16	1746942	0		ROD-CLUTCH
17	1751879	0		ASSM-ARM
18	1753187	0		SCR-ADJUSTING
19	1186247	0	S	NUT-JAM
20	1751022	0		SPRING-COMP.
21	1753170	0		ROD-BRAKE
22	0	0		N/A
23	1751880	0		ASSM-ARM
24	1751063	0		ROD-BRAKE LOCK
25	1755787GAR	0		SUPT-TANK
26	0	0		N/A
27	1756049	0		ASSM-BRAKE PEDAL
28	0	0		N/A
29	1728694	0	/P	FOOT REST
30	0	0		N/A
31	1751809	0	/P	SPRING-TORSION
32	1755538	0	S	BELT-V
33	1746941GAR	0		ASSM-IDLER ARM
34	1725555	0	S	GUIDE-BELT
35	0	0		N/A
36	1756151	0	/P	IDLER
37	0	0		N/A
38	1756144	0		LATCH
39	1185879	0	/P	RIVET-POP
40	1186309	0	/P	SCR-HH 1/4-20X.625
41	1186389	0	/P	NUT-HF/LK 1/4-20 ZP
42	1118554	0	S	RING-RETAINING
43	1747872	0		WASHER-1.88X1.015X.06 ZP
44	1756867	0		TIRE
45	1718086	0	S	STEM-VALVE
46	1757421GAW	0		WHEEL DISC
46	1757984	0		WHEEL-REAR
47	1751586	0		SHEAVE-HYDRO
48	0	0		N/A
49	1753186	0		ASSM-ADJUSTOR BLOCK
50	1753199	0		ASSM-SPEED CONT ARM
51	0	0		N/A

3214HRS ST 140 (S/N B400100101-B400102100)
HYDROSTATIC & BRAKE ASSEMBLY

Page 15 of 21

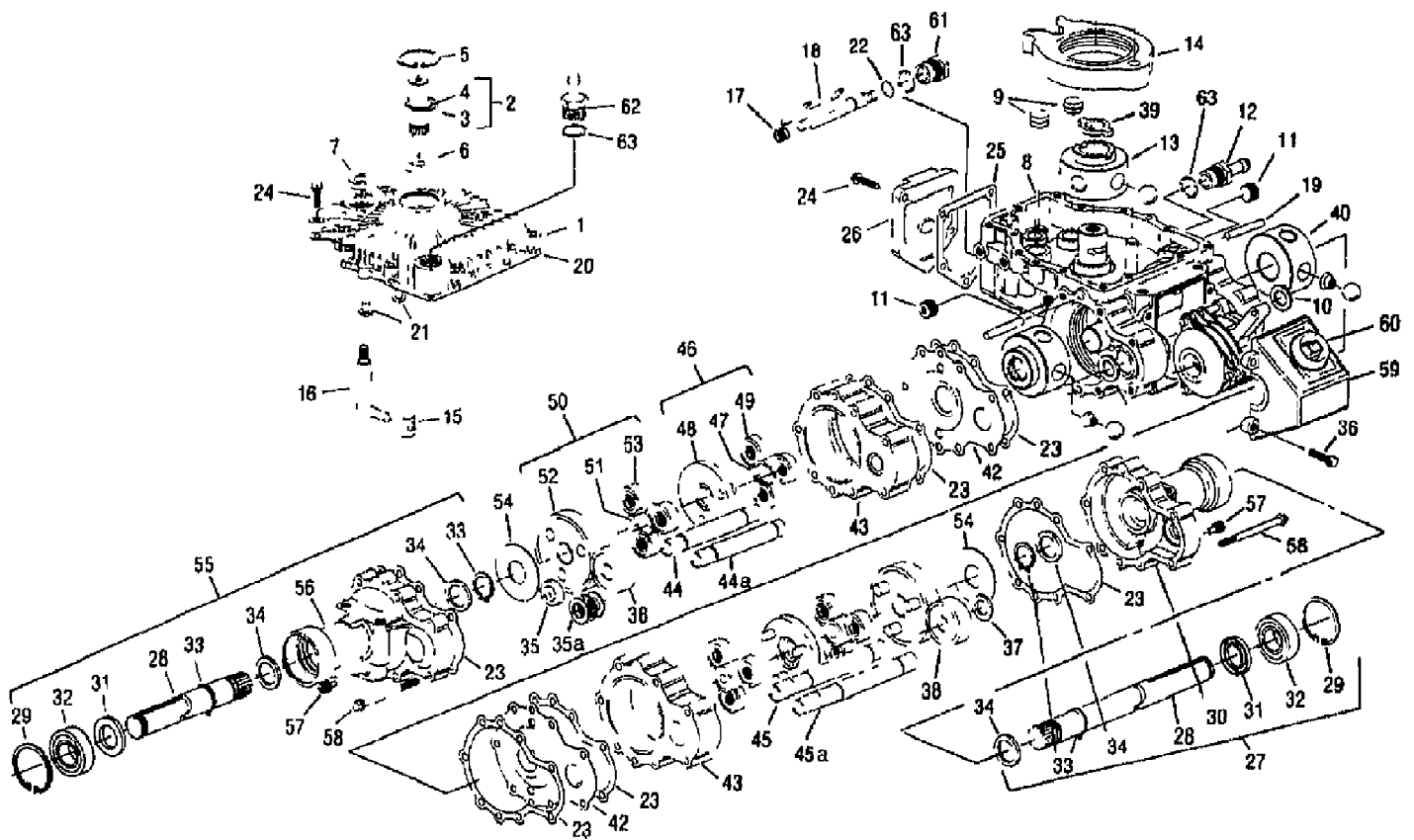
Ref #	Part Number	Qty	S/P/F	Description
52	1753193	0		ASSM-PIVOT SHAFT
53	1118799	0		RING-RET.EXT .375 ID
54	0	0		N/A
55	0	0		N/A
56	1756134	0		WASHER-1.0X.281X.179 ZP
57	1753203	0	S	FAN-HYDRO TRANSMISSION
58	0	0		N/A
59	0	0		N/A
60	1753189	0		PIN-DOWEL .375 X 2.51
61	0	0		N/A
62	1756175	0		JOINT-BALL
63	1754953	0		ASSM-BRAKE ARM
64	1756627	0		GUIDE
65	1734398	0	S	NUT-HT LK 1/4-20
66	1893445	0	S	WASHER-FLAT
67	1755584GAR	0		BRACKET-INTERLOCK
67	1756181GAR	0		BRKT {3016HR,3016HRS}
68	1729482	0		SPRING
69	1186327	0	/P	SCR-HFLK 5/16-18X.50 ZP
70	1186330	0	S	SCR-LOCK
71	1186391	0	S	NUT-HFLK 5/16-18 ZP
72	1754946GAR	0		BRACE-TRANSAXLE
73	1747186	0		CAP-PUSH ON
74	1751808GAR	0		ASSM-LEVER SUPP
75	1747166	0	/P	SCR-SET 1/4-28X.38 HXSMT
76	1754951	0		BRAKE-LINK
77	1755929	0		GUIDE-BELT
78	1755930	0		GUIDE-BELT
79	0	0		N/A
80	1754947	0		SUPPORT-SHAFT
81	0	0		N/A
82	1755928	0		BEARING-FLANGED
83	1732499	0	/P	NUT-TOP/LK 5/16-18 ZP
84	1755939	0		ASSM-JACKSHAFT
85	1739919	0		NUT-SPEED
86	0	0		N/A
87	1726660	0	S	PULLEY-IDLER
88	0	0		N/A
89	1713783	0		SPACER-.62X.406X.56 ZP
90	1747873	0	/P	CAP-WHEEL
91	1177567	0	S	RING-RETAINING
92	1748491	0		PIVOT
93	1754948	0		SHROUD-FAN
94	0	0		N/A
95	1755822	0		HOSE-FUEL 18"
96	1756626	0		CLAMP-HOSE
97	1755088	0		ASSM-OIL RESERVOIR
98	1705093	0	S	WASHER-1.0X.64X.029
99	1705092	0	S	WASHER-1.0X.64X.09
100	0	0		N/A
101	1701449	0		SHIM-1.25X1.01X.06
102	1756053	0		KIT-CONVERSION W/HYDRO
102	0	0		N/A

3214HRS ST 140 (S/N B400100101-B400102100)
HYDROSTATIC & BRAKE ASSEMBLY

Page 16 of 21

Ref #	Part Number	Qty	S/P/F	Description
103	1755823	0		HOSE
104	1750736	0	/P	SCR-SPECIAL
105	1186396	0		NUT-WHIZ LOCK {3016HR,3016HRS}
106	1754675	0	S	ASSM-MAGNET {3016HR,3016HRS}

3214HRS ST 140 (S/N B400100101-B400102100)
HYDROSTATIC DIFFERENTIAL ASSEMBLY



3214HRS ST 140 (S/N B400100101-B400102100)
HYDROSTATIC DIFFERENTIAL ASSEMBLY

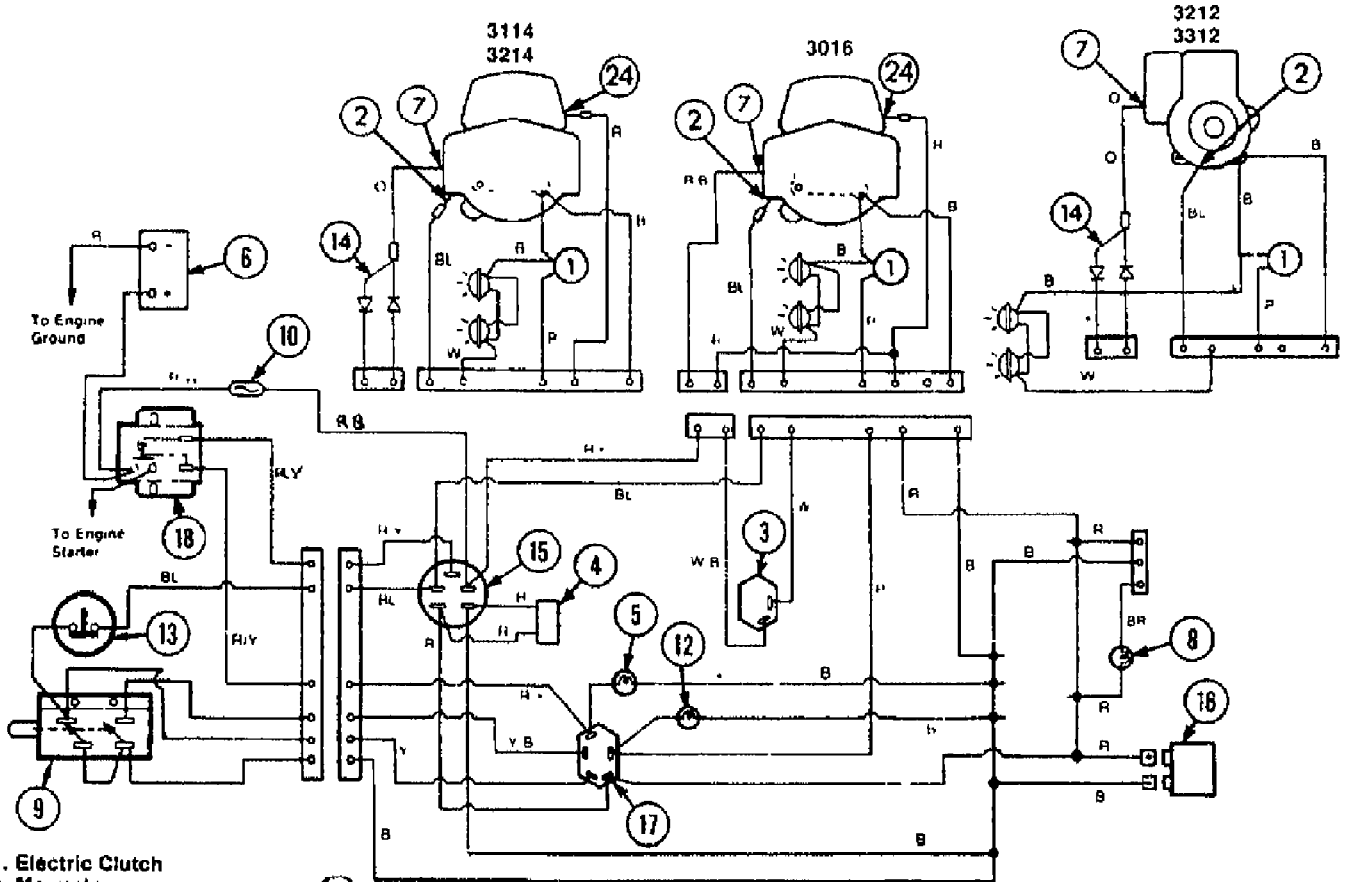
Page 18 of 21

Ref #	Part Number	Qty	S/P/F	Description
1		1		Cover, Subassembly (S/A)
2		1		Shaft, Input, S/A
3		1		Bearing Input Shaft
4		1		Ring, Retaining, External
5	1757372	1		Ring, Retaining, Internal
6	1757373	1		Seal, Input Shaft
7	1757374	1		Seal Control Shaft
8		1		Housing, S/A CW
9		2		Piston, Dampening, S/A
10		2		Seal, Brake Shaft
11		2		Plug. Socket Pipe
12		1		Adapter Reservoir, 3/8 I D Tube
13		1		Pump Rotor-Ball, S/A
14		1		Cam Ring, S/A
15		1		Insert
16		1		Control Shaft S/A
17	1757375	1		Spring, Dump Valve
18	1757376	1	/P	Bracket, Dump Valve
19		4		Dowel
20		1		Gasket, Cover
21		2		Button
22	1757377	1		O-Ring Dump Valve Bracket
23		6		Gasket, Axle Housing
24		18		Screw, 1/4-20 Hex Flange
25	1757378	1		Gasket, Valve Cover
26		1		Cover, Valve
27		1		Axle Housing, S/A-B
28		1		Shaft, Axle
29		1		Retaining Ring, Internal
30		1		Housing, Axle-B
31		1		Seal, Axle Shaft
32		1		Bearing, Axle Shaft
33		2		Retaining Ring External
34		2		Washer, Thrust
35		1		Spacer (Thick-PB)
35A		2		Washer, Thrust (DUPE)
35A		1		Bearing, Thrust (DL/PB)
36		4		Screw, 1/4-20 Self Tap
37		1		Spacer (Thin-PB or DUPE)
38		2		Brake Gear
39		1		Drive
40		2		Motor Rotor-Ball, A & B S/A, 1 BT
?41		1		Differential Lock/Parking Brake Assembly
42		2		Plate, Wear
43		2		Ring Gear, A & B S/A, 54T
44		1		Brake Shaft-A (PB)
44A		1		Brake Shaft-A (DUPE)
45		1		Brake Shaft - B (PS)
45A		1		Brake Shaft - B (DUPE)
46		2		Planetary Gear, First A & B S/A
47		2		Sun Gear, First, 18T
48		2		Primary Carrier, A & B S/A 18T
49		6		Pint Gear, A & B S/A, First, 1ST

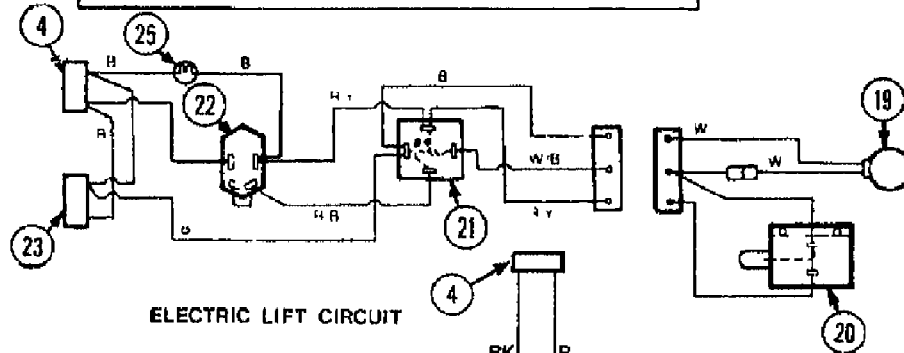
3214HRS ST 140 (S/N B400100101-B400102100)
HYDROSTATIC DIFFERENTIAL ASSEMBLY

Page 19 of 21

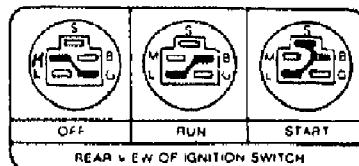
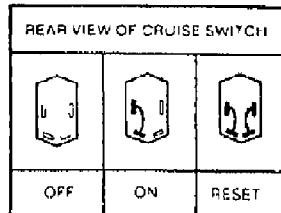
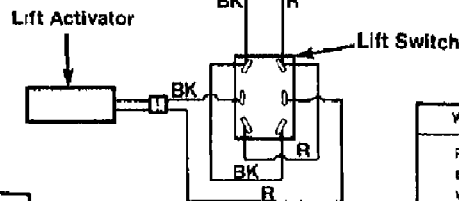
Ref #	Part Number	Qty	S/P/F	Description
50		2		Planetary Gear, Second, A & B S/A
51		2		Sun Gear, Second 18T
52		2		Secondary Carrier, A & B S/A
53		6		Pint Gear, A & sc B S/A, Second, 18T
54		2		Washer, Thrust
55		1		Axle Housing, S/A-A
56		1		Housing, Axle-A
57		2		Plug, Magnetic
58		14		Screw, 1/4-20 Hex Flange
59		1		Cover, (PB or DUPE)
60		1		Boot, Dust
61		1		Nut, Dump Valve
62		1		Adapter, Reservoir, 3/8 I D Tube
63	1757381	3		O-Ring
	1757380	1		Gasket Overhaul Kit Includes items 20, 23 & 25



- 1. Electric Clutch
- 2. Magneto
- 3. Light Switch
- 4. Accessory Plug (Cruise or Ele. Lift)
- 5. Starter Light
- 6. Battery
- 7. Alternator
- 8. Battery Light
- 9. Brake Switch
- 10. Fuse 30A
- 12. PTO Light
- 13. Seat Interlock Switch
- 14. Diode Assembly
- 15. Ignition Switch
- 16. Hour Meter (3016)
- 17. PTO Switch
- 18. Solenoid
- 19. Cruise Magnet (3016)
- 20. Switch (3016)
- 21. Cruise Relay (3016)
- 22. Cruise Switch (3016)
- 23. Accessory Plug (Ele. Lift) (3016)
- 24. Fuel Solenoid
- 25. Cruise Light (3016)



ELECTRIC LIFT CIRCUIT



WIRE COLOR CODE	
R	RED
B	BLACK
W	WHITE
O	ORANGE
Y	YELLOW
P	PURPLE
BL	BLUE
R W	RED WHITE
Y B	YELLOW BLACK
R B	RED BLACK
W BL	WHITE BLUE
R Y	RED YELLOW
BR	BROWN

3214HRS ST 140 (S/N B400100101-B400102100)
WIRING DIAGRAM

Page 21 of 21

Ref #	Part Number	Qty	S/P/F	Description
	0	0		ILLUSTRATION ONLY