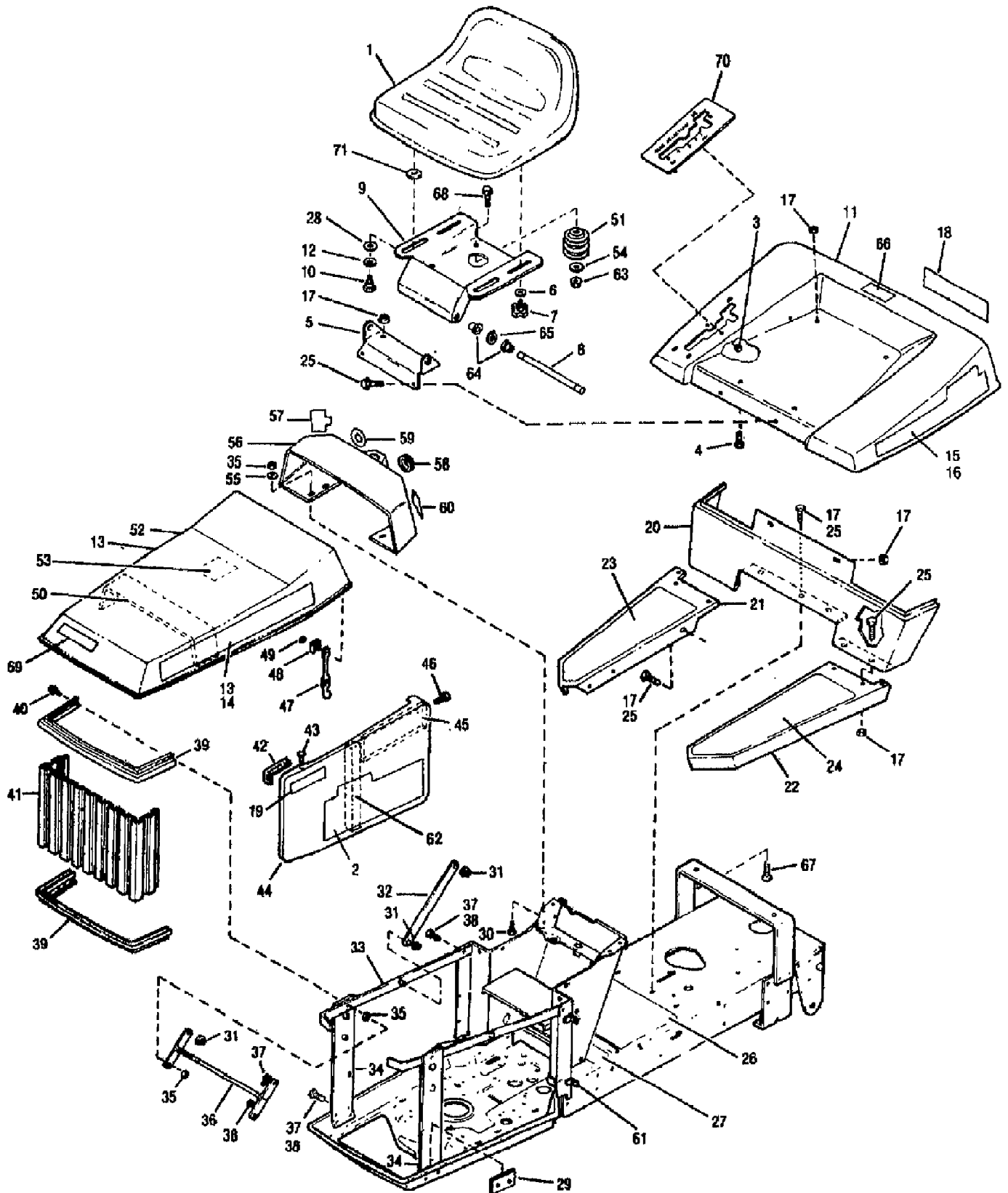


3214GR ST 140 (S/N B030100101-B030199999)  
BODYWORK & TRIM ASSEMBLY



3214GR ST 140 (S/N B030100101-B030199999)  
BODYWORK & TRIM ASSEMBLY

Page 2 of 20

| Ref # | Part Number | Qty | S/P/F | Description                             |
|-------|-------------|-----|-------|---|
| 1     | 1756861     | 0   |       | SEAT {3114GR,3214GR}                    |
| 1     | 1759105     | 0   |       | SEAT {3312GR,3312GRS}                   |
| 2     | 1757281     | 0   |       | DECAL-SIDE COVER LH {3212GR,3114GR}     |
| 2     | 1757282     | 0   |       | DECAL-SIDE COVER RH {3212GR,3114GR}     |
| 2     | 1757941     | 0   |       | DECAL-SIDECVR LH RED<br>{3312GR,3214GR} |
| 2     | 1757940     | 0   |       | DECAL-SIDECVR RH RED<br>{3312GR,3214GR} |
| 3     | 1750532     | 0   | S     | NUT-SELF THREADING                      |
| 4     | 1736098     | 0   | S     | BOLT-CARR 5/16-18X.63 ZP                |
| 5     | 1756466STB  | 0   |       | BRACKET-PIVOT                           |
| 6     | 0           | 0   | F     | N/A                                     |
| 7     | 1734269     | 0   |       | KNOB                                    |
| 8     | 1755622     | 0   |       | ROD                                     |
| 9     | 1755620STB  | 0   |       | ASSM-SEAT SUPPORT                       |
| 10    | 1754125     | 0   | /P    | SCR-SHLDR 3/8-16X.25 G5ZP               |
| 11    | 1756154GAR  | 0   |       | FENDER-REAR                             |
| 12    | 1705793     | 0   |       | WASHER-1.06X.51X.09 NYLON               |
| 13    | 1757280     | 0   |       | DECAL-HOOD RH {3212GR,3114GR}           |
| 13    | 1757937     | 0   |       | DECAL-LOGO {3312GR,3214GR}              |
| 13    | 1759100     | 0   |       | DECAL-LOGO {3312GR,3312GRS}             |
| ?14   | 1757279     | 0   |       | DECAL-HOOD LH {3212GR,3114GR}           |
| ?14   | 1757937     | 0   |       | DECAL-LOGO {3312GR,3214GR}              |
| 15    | 1757286     | 0   |       | DECAL-FENDER RH {3212GR}                |
| 15    | 1757284     | 0   |       | DECAL-FENDER RH {3114GR}                |
| 15    | 1757942     | 0   |       | DECAL-FENDER RH RED<br>{3312GR,3312GRS} |
| 15    | 1757944     | 0   |       | DECAL-FENDER RH RED {3214GR}            |
| ?16   | 1757285     | 0   |       | DECAL-FENDER LH {3212GR}                |
| ?16   | 1757283     | 0   |       | DECAL-FENDER LH {3114GR}                |
| ?16   | 1757943     | 0   |       | DECAL-FENDER LH RED<br>{3312GR,3312GRS} |
| ?16   | 1757945     | 0   |       | DECAL-FENDER LH RED {3214GR}            |
| 17    | 1186391     | 0   | S     | NUT-HFLK 5/16-18 ZP                     |
| 18    | 1757254     | 0   |       | DECAL-LOGO {3212GR,3114GR}              |
| 18    | 1757936     | 0   |       | DECAL-LOGO FENDER {3312GR,3214GR}       |
| 18    | 1759102     | 0   |       | DECAL-LOGO FENDER {3312GR,3312GRS}      |
| 19    | 1757278     | 0   |       | DECAL-SIDE COVER {3212GR,3114GR}        |
| 20    | 1743987GAR  | 0   |       | SUPT-RUNNING BOARD                      |
| 21    | 1751805GAR  | 0   |       | BOARD-RUNNING RH                        |
| 22    | 1751803GAR  | 0   |       | BOARD-RUNNING LH                        |
| 23    | 1756888     | 0   |       | PAD-FOOT RH {3212GR,3312GR,3312GRS}     |
| 23    | 1757915     | 0   |       | PAD-FOOT RH {3114GR,3214GR}             |
| 24    | 1756890     | 0   |       | PAD-FOOT LH                             |
| 25    | 1186330     | 0   | S     | SCR-LOCK                                |
| 26    | 1756889     | 0   |       | PAD-FOOT                                |
| 27    | 1755946     | 0   |       | DECAL-INSTRUCTION                       |
| 28    | 1706782     | 0   | /P    | WASHER-BOW .74X.52X.01                  |
| 29    | 1754415     | 0   |       | SPACER-PLATE                            |
| 30    | 0           | 0   | F     | N/A                                     |
| 31    | 1747836     | 0   | S     | RETAINER-PUSH ON .24X.73 ZP             |

3214GR ST 140 (S/N B030100101-B030199999)  
BODYWORK & TRIM ASSEMBLY

Page 3 of 20

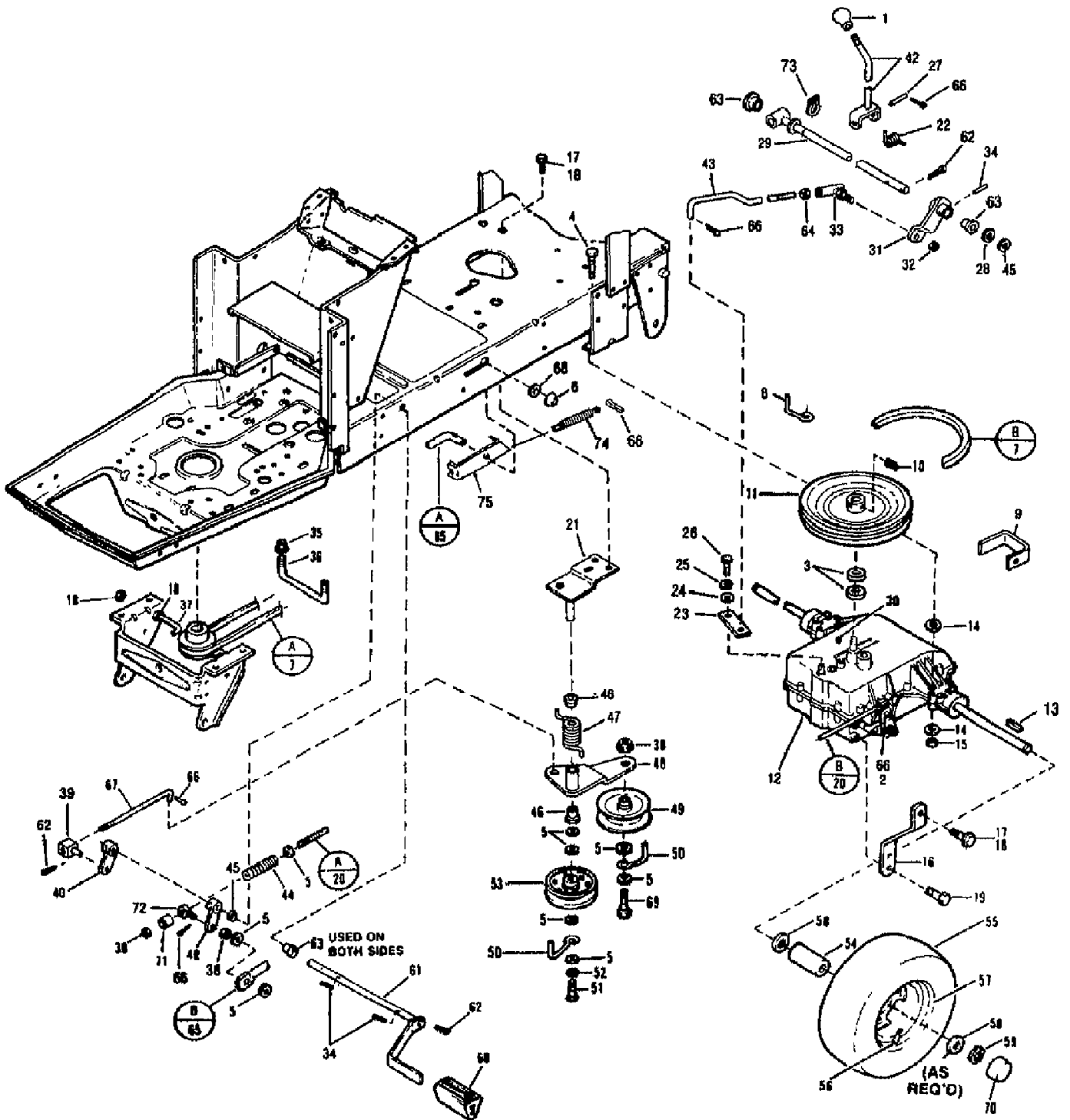
| Ref # | Part Number | Qty | S/P/F | Description                                  |
|-------|-------------|-----|-------|--|
| 32    | 1742459GAR  | 0   |       | LINK-HINGE                                   |
| 33    | 1758587GAR  | 0   |       | ASSM-HINGE STRAP                             |
| 34    | 1752914GAW  | 0   |       | ASSM-GRILLE SUPPORT<br>{3212GR,3114GR}       |
| 34    | 1752914STB  | 0   |       | ASSM-GRILLE SUPT (RED)<br>{3312GR,3214GR}    |
| 35    | 1734398     | 0   | S     | NUT-HT LK 1/4-20                             |
| 36    | 1742458GAR  | 0   |       | LINK-HINGE                                   |
| 37    | 1186309     | 0   | /P    | SCR-HH 1/4-20X.625                           |
| 38    | 1186389     | 0   | /P    | NUT-HF/LK 1/4-20 ZP                          |
| 39    | 1742493GAW  | 0   |       | CAP-GRILLE {3212GR,3114GR}                   |
| 39    | 1742493GAR  | 0   |       | CAP-GRILLE {3312GR,3214GR}                   |
| 40    | 0           | 0   | F     | N/A  |
| 41    | 1742494GAW  | 0   |       | GRILLE-BLACK {3212GR,3114GR}                 |
| 41    | 1742494STB  | 0   |       | GRILLE-BLACK {3312GR,3214GR}                 |
| 42    | 1743566     | 0   |       | GUIDE-SIDECOVER {3114GR}                     |
| 42    | 1753912     | 0   | F     | GUIDE-SIDE CVR (RED)                         |
| 43    | 1186059     | 0   |       | RIVET-POP .125 {3114GR}                      |
| 43    | 1756629     | 0   |       | RIVET-POP<br>{3212GR,3312GR,3312GRS,3214GR}  |
| 44    | 1743554GAW  | 0   |       | COVER-SIDE LH {3212GR,3114GR}                |
| 44    | 1743554GAR  | 0   |       | COVER-SIDE LH RED {3312GR,3214GR}            |
| 44    | 1743553GAW  | 0   |       | COVER-SIDE RH {3212GR,3114GR}                |
| 44    | 1743553GAR  | 0   |       | COVER-SIDE RH RED TRACTOR<br>{3312GR,3214GR} |
| 45    | 1744065     | 0   |       | BLOCK-SEALING {3114GR,3214GR}                |
| 46    | 0           | 0   | F     | N/A  |
| 47    | 1727127     | 0   |       | LATCH-RUBBER                                 |
| 48    | 1727126     | 0   | /P    | CLIP   |
| 49    | 1185985     | 0   | S     | NUT W/LKWASHER 10-24 ZP                      |
| 50    | 1744067     | 0   |       | STRIP-SEALING {3114GR,3214GR}                |
| 51    | 1755449     | 0   | /P    | SPRING-COMPRESSION                           |
| 52    | 1744051GAW  | 0   |       | ASSM-HOOD {3212GR,3114GR}                    |
| 52    | 1744051GAR  | 0   |       | ASSM-HOOD RED {3312GR,3214GR}                |
| 53    | 1756876     | 0   |       | DECAL-SVC INST                               |
| 54    | 1701055     | 0   | /P    | WASHER-FLAT 1.25X.406X.179                   |
| 55    | 0           | 0   | F     | N/A  |
| 56    | 1753039     | 0   |       | PANEL-INSTRUCTION                            |
| 57    | 1756871     | 0   | /P    | DECAL-THROTTLE {3114GR,3214GR}               |
| 57    | 1755931     | 0   |       | DECAL-THROTTLE<br>{3212GR,3312GR,3312GRS}    |
| 58    | 1756739     | 0   |       | CAP  |
| 59    | 1755932     | 0   |       | DECAL-IGNITION                               |
| 60    | 1755933     | 0   |       | DECAL-CHOKE                                  |
| 61    | 1742934     | 0   |       | NUT-SPEED                                    |
| 62    | 1754614     | 0   |       | STRIP-SEALING {3114GR,3214GR}                |
| 63    | 1186393     | 0   | /P    | NUT-HFLK 3/8-16 ZP                           |
| 64    | 1755779     | 0   | /P    | BEARING-FLANGE                               |
| 65    | 1185257     | 0   | S     | RING-RET."E" .300 ID                         |
| 66    | 1757366     | 0   |       | DECAL-FUEL                                   |
| 67    | 1736098     | 0   | S     | BOLT-CARR 5/16-18X.63 ZP                     |

3214GR ST 140 (S/N B030100101-B030199999)  
BODYWORK & TRIM ASSEMBLY

Page 4 of 20

| Ref # | Part Number | Qty | S/P/F | Description                        |
|-------|-------------|-----|-------|------------------------------------|
| 68    | 1186347     | 0   | S     | SCR-HFLK 3/8-16X1.00 ZP            |
| 69    | 1757276     | 0   |       | DECAL-MODEL {3212GR,3114GR}        |
| 69    | 1759101     | 0   |       | DECAL-LOGO {3312GR,3214GR,3312GRS} |
| 70    | 1756740     | 0   |       | QUADRANT-SHIFT                     |
| 71    | 1893445     | 0   | S     | WASHER-FLAT                        |

3214GR ST 140 (S/N B030100101-B030199999)  
BRAKE & CLUTCH ASSEMBLY



3214GR ST 140 (S/N B030100101-B030199999)  
BRAKE & CLUTCH ASSEMBLY

Page 6 of 20

| Ref # | Part Number | Qty | S/P/F | Description                                      |
|-------|-------------|-----|-------|--|
| 1     | 1756877     | 0   |       | KNOB   |
| 2     | 0           | 0   | F     | N/A  |
| 3     | 1705092     | 0   | S     | WASHER-1.0X.64X.09                               |
| 4     | 0           | 0   | F     | N/A  |
| 5     | 0           | 0   | F     | N/A  |
| ?6    | 1747186     | 0   |       | CAP-PUSH ON                                      |
| 7     | 1747188     | 0   | /P    | BELT-V   |
| ?8    | 1752798     | 0   |       | ROD-BELT GUIDE                                   |
| 9     | 1750297     | 0   |       | GUIDE-BELT                                       |
| 10    | 1185596     | 0   |       | SCR-SET 5/16-18 X 5/16                           |
| 11    | 1743640     | 0   |       | SHEAVE-TRANSMISSION                              |
| 12    | 0           | 0   | F     | TRANSMISSION, PEERLESS 5-SPEED,<br>MODEL 801-046 |
| 12    | 0           | 0   | F     | TRANSMISSION, PEERLESS 5-SPEED,<br>MODEL 920-011 |
| 13    | B1104335    | 0   |       | KEY  |
| 14    | 0           | 0   | F     | N/A  |
| 15    | 1732499     | 0   | /P    | NUT-TOP/LK 5/16-18 ZP                            |
| 16    | 1742103GAR  | 0   |       | TRANS-SUPPORT                                    |
| 17    | 1186330     | 0   | S     | SCR-LOCK   |
| 18    | 1186391     | 0   | S     | NUT-HFLK 5/16-18 ZP                              |
| 19    | 1724491     | 0   | S     | SCR-HFLK 5/16-18X.75                             |
| 20    | 1746943     | 0   | /P    | ROD-BRAKE  |
| 21    | 1751808GAR  | 0   |       | ASSM-LEVER SUPP                                  |
| 22    | 1750526     | 0   |       | SPRING-TORSION                                   |
| 23    | 1743606     | 0   |       | ARM-TRANS {3114GR,3214GR}                        |
| 23    | 1754661     | 0   |       | ARM-TRANSMISSION<br>{3212GR,3312GR,3312GRS}      |
| 24    | 0           | 0   | F     | N/A  |
| 25    | 0           | 0   | F     | N/A  |
| 26    | 0           | 0   | F     | N/A  |
| 27    | 1750946     | 0   |       | PIN-.375 X 2.42 ZP                               |
| 28    | 1705093     | 0   | S     | WASHER-1.0X.64X.029                              |
| 29    | 1750539     | 0   |       | ASSM-SHAFT                                       |
| 30    | 0           | 0   | F     | N/A  |
| 31    | 1750299     | 0   |       | ASSM-SHIFT ARM {3114GR,3214GR}                   |
| 31    | 1754663     | 0   |       | ASSM-ARM SHIFT<br>{3212GR,3312GR,3312GRS}        |
| 32    | 0           | 0   | F     | N/A  |
| 33    | 1752524     | 0   |       | JOINT-BALL                                       |
| 34    | 1120210     | 0   |       | PIN-ROLL .188X1.0                                |
| 35    | 1186389     | 0   | /P    | NUT-HF/LK 1/4-20 ZP                              |
| 36    | 1744320     | 0   |       | GUIDE-BELT                                       |
| 37    | 1757291     | 0   | /P    | GUIDE-BELT                                       |
| ?38   | 1733398     | 0   | S     | NUT-LOCK 3/8-16                                  |
| 39    | 1748491     | 0   |       | PIVOT  |
| 40    | 1751880     | 0   |       | ASSM-ARM   |
| 42    | 1756047     | 0   |       | ASSM-SHIFT LEVER                                 |
| 43    | 1752523     | 0   |       | ROD-SHIFT {3114GR,3214GR}                        |
| 43    | 1754660     | 0   |       | ROD-SHIFT {3212GR,3312GR,3312GRS}                |
| 44    | 1728908     | 0   |       | SPRING   |

3214GR ST 140 (S/N B030100101-B030199999)  
BRAKE & CLUTCH ASSEMBLY

Page 7 of 20

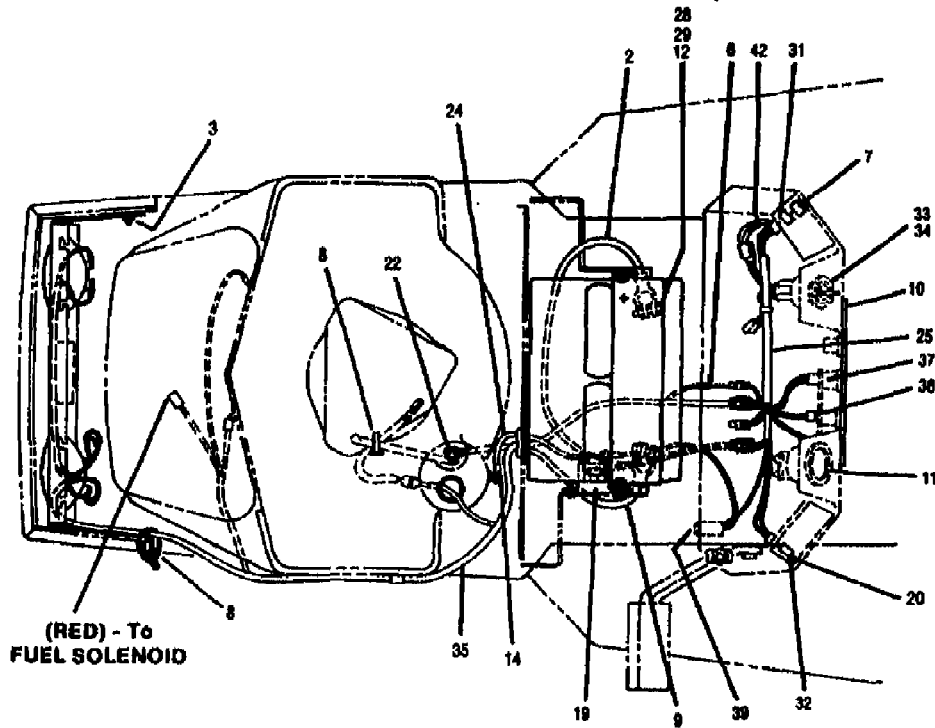
| Ref # | Part Number | Qty | S/P/F | Description                  |
|-------|-------------|-----|-------|------------------------------|
| 45    | 0           | 0   | F     | N/A                          |
| 46    | 1715538     | 0   | /P    | BUSHING-.5X.5 NYLON FLNG     |
| 47    | 1751809     | 0   | /P    | SPRING-TORSION               |
| 48    | 1746941GAR  | 0   |       | ASSM-IDLER ARM               |
| 49    | 1726660     | 0   | S     | PULLEY-IDLER                 |
| 50    | 1725555     | 0   | S     | GUIDE-BELT                   |
| 51    | 0           | 0   | F     | N/A                          |
| 52    | 0           | 0   | F     | N/A                          |
| 53    | 1756151     | 0   | /P    | IDLER                        |
| 54    | 1742054     | 0   |       | SPACER-1.0X.798X1.38 ZP      |
| 55    | 1756867     | 0   |       | TIRE                         |
| 56    | 1718086     | 0   | S     | STEM-VALVE                   |
| 57    | 1757422GAW  | 0   |       | WHEEL DISC                   |
| 57    | 1757986     | 0   | S     | WHEEL-REAR {3312GR,3214GR}   |
| 58    | 1747998     | 0   |       | WASHER-1.87X.765X.06 SPECIAL |
| 59    | 1185388     | 0   | S     | RING-RET."E".577 ID          |
| 60    | 1728694     | 0   | /P    | FOOT REST                    |
| 61    | 1756049     | 0   |       | ASSM-BRAKE PEDAL             |
| 62    | 0           | 0   | F     | N/A                          |
| 63    | 1714233     | 0   |       | BUSHING-.68X.62X.15 FLNG     |
| 64    | 0           | 0   | F     | N/A                          |
| ?65   | 1751063     | 0   |       | ROD-BRAKE LOCK               |
| 66    | 0           | 0   | F     | N/A                          |
| 67    | 1746942     | 0   |       | ROD-CLUTCH                   |
| 68    | 1893445     | 0   | S     | WASHER-FLAT                  |
| 69    | 0           | 0   | F     | N/A                          |
| 70    | 1747873     | 0   | /P    | CAP-WHEEL                    |
| 71    | 1713783     | 0   |       | SPACER-.62X.406X.56 ZP       |
| 72    | 1749904     | 0   |       | BOLT-EYE                     |
| 73    | 1177567     | 0   | S     | RING-RETAINING               |
| 74    | 1729482     | 0   |       | SPRING                       |
| 75    | 1755584GAR  | 0   |       | BRACKET-INTERLOCK            |

3214GR ST 140 (S/N B030100101-B030199999)  
ELECTRICAL ASSEMBLY

**MODELS 3214GR & 3114GR**

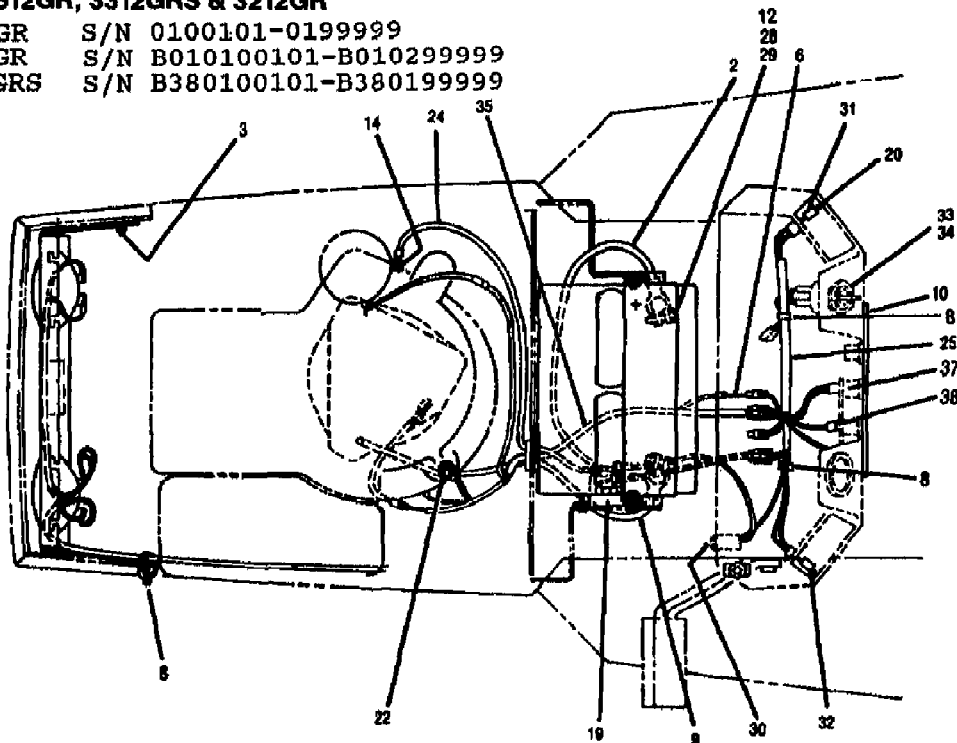
MODEL 3114GR  
MODEL 3214GR

S/N 0100101-0199999  
S/N B030100101-B030199999



**MODELS 3312GR, 3312GRS & 3212GR**

MODEL 3212GR S/N 0100101-0199999  
MODEL 3312GR S/N B010100101-B010299999  
MODEL 3312GRS S/N B380100101-B380199999





3214GR ST 140 (S/N B030100101-B030199999)  
ELECTRICAL ASSEMBLY

Page 9 of 20

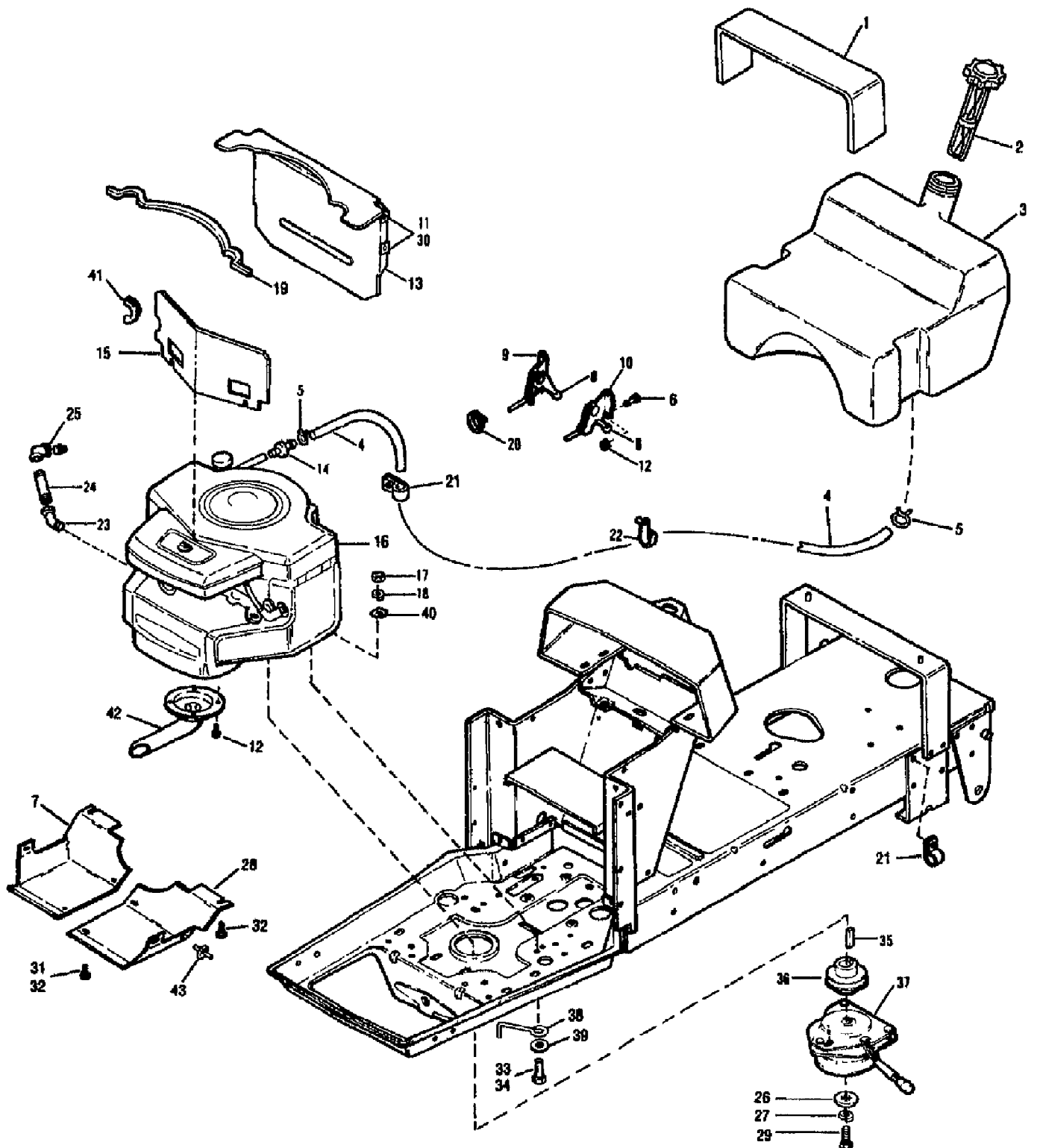
| Ref # | Part Number | Qty | S/P/F | Description   |
|-------|-------------|-----|-------|---|
| ?1    | 1751088     | 0   |       | HARNESS-ACTUATOR<br>{3114GR,3214GR,3214GR}              |
| 2     | 1756074     | 0   | /P    | CABLE-BATTERY (+)                                       |
| 3     | 1186389     | 0   | /P    | NUT-HF/LK 1/4-20 ZP                                     |
| ?4    | 1744021STB  | 0   |       | SUPPORT-LIGHT   |
| 5     | 1726435     | 0   |       | HEADLAMP  |
| 6     | 1755616     | 0   |       | ASSM-DIODE  |
| 7     | 1753874     | 0   | S     | SWITCH-ELEC LIFT<br>{3114GR,3214GR,3214GR}              |
| 8     | 1735531     | 0   | S     | TIE-CABLE NYLON BLACK                                   |
| 9     | 1756075     | 0   |       | CABLE-BATTERY (-)<br>{3114GR,3312GR,3312GRS, 3214GR,321 |
| 9     | 1754220     | 0   | /P    | CABLE (-) {3214GR}                                      |
| 10    | 1756872     | 0   |       | LENSE   |
| 11    | 1754550     | 0   |       | METER-HOUR (TRACTOR)                                    |
| 12    | 0           | 0   | F     | N/A   |
| ?13   | 0           | 0   | F     | N/A   |
| 14    | 1734398     | 0   | S     | NUT-HT LK 1/4-20  |
| ?15   | 1752586     | 0   |       | BOLT-HOOK   |
| 16    | 0           | 0   | F     | N/A   |
| ?17   | 1185985     | 0   | S     | NUT W/LKWASHER 10-24 ZP                                 |
| ?18   | 1752840     | 0   |       | BATTERY   |
| 19    | 1752137     | 0   | S     | SOLENOID  |
| 20    | 1750963     | 0   |       | SCR-FHP #6-32X.50 ZP                                    |
| ?21   | 1744022     | 0   |       | RETAINER  |
| 22    | 0           | 0   | F     | N/A   |
| ?23   | 1748014     | 0   |       | GROMMET-SPLIT   |
| 24    | 1722081     | 0   |       | CABLE-STARTER {3114GR,3214GR}                           |
| 24    | 1741506     | 0   |       | CABLE-STARTER<br>{3312GR,3312GRS,3212GR}                |
| 24    | 1752841     | 0   |       | CABLE-BATTERY (+) {3214GR}                              |
| 25    | 1752134     | 0   |       | HARNESS-CONSOLE WIRING                                  |
| ?26   | 1747738     | 0   | /P    | CLIP-J  |
| ?27   | 1756630     | 0   |       | PAD-RUBBER  |
| 28    | 0           | 0   | F     | N/A   |
| 29    | 0           | 0   | F     | N/A   |
| 30    | 1756076     | 0   |       | HARNESS-INTERLOCK                                       |
| 31    | 1754608     | 0   | /P    | SWITCH-PTO  |
| 32    | 1754856     | 0   |       | SWITCH-LIGHT  |
| 33    | 1754250     | 0   | S     | SWITCH-IGNITION   |
| 34    | 1753986     | 0   | /P    | KEY-IGNITION  |
| 35    | 1752136     | 0   |       | HARNESS-ENGINE {3114GR,3214GR}                          |
| 35    | 1752908     | 0   |       | HARNESS-WIRE ENGINE<br>{3312GR,3312GRS,3212GR}          |
| 35    | 1758466     | 0   |       | HARNESS-ENGINE {3214GR}                                 |
| ?36   | 1755802     | 0   | /P    | BATTERY-HOLDDOWN  |
| 37    | 1751572     | 0   | S     | BULB (MFG NO. GE 73)                                    |
| 38    | 1186020     | 0   |       | SCR-PHP M6-32X.38 ZP                                    |
| 39    | 1743516     | 0   | S     | FUSE-30 AMP   |
| ?40   | 1752809     | 0   |       | GROMMET   |
| ?41   | 1751328     | 0   | S     | SWITCH  |

3214GR ST 140 (S/N B030100101-B030199999)  
ELECTRICAL ASSEMBLY

Page 10 of 20

| Ref # | Part Number | Qty | S/P/F | Description                                 |
|-------|-------------|-----|-------|---|
| 42    | 1747353     | 0   |       | HARNESS-ELEC LIFT<br>{3114GR,3214GR,3214GR} |
| ?43   | 1755349     | 0   |       | SCR-PHP 1/4-20X.50 ZP                       |
| ?44   | 1752506     | 0   | /P    | SWITCH-SEAT                                 |
| ?45   | 1755487     | 0   |       | GROMMET                                     |
| ?46   | 1754934     | 0   |       | DECAL                                       |

3214GR ST 140 (S/N B030100101-B030199999)  
ENGINE ASSEMBLY

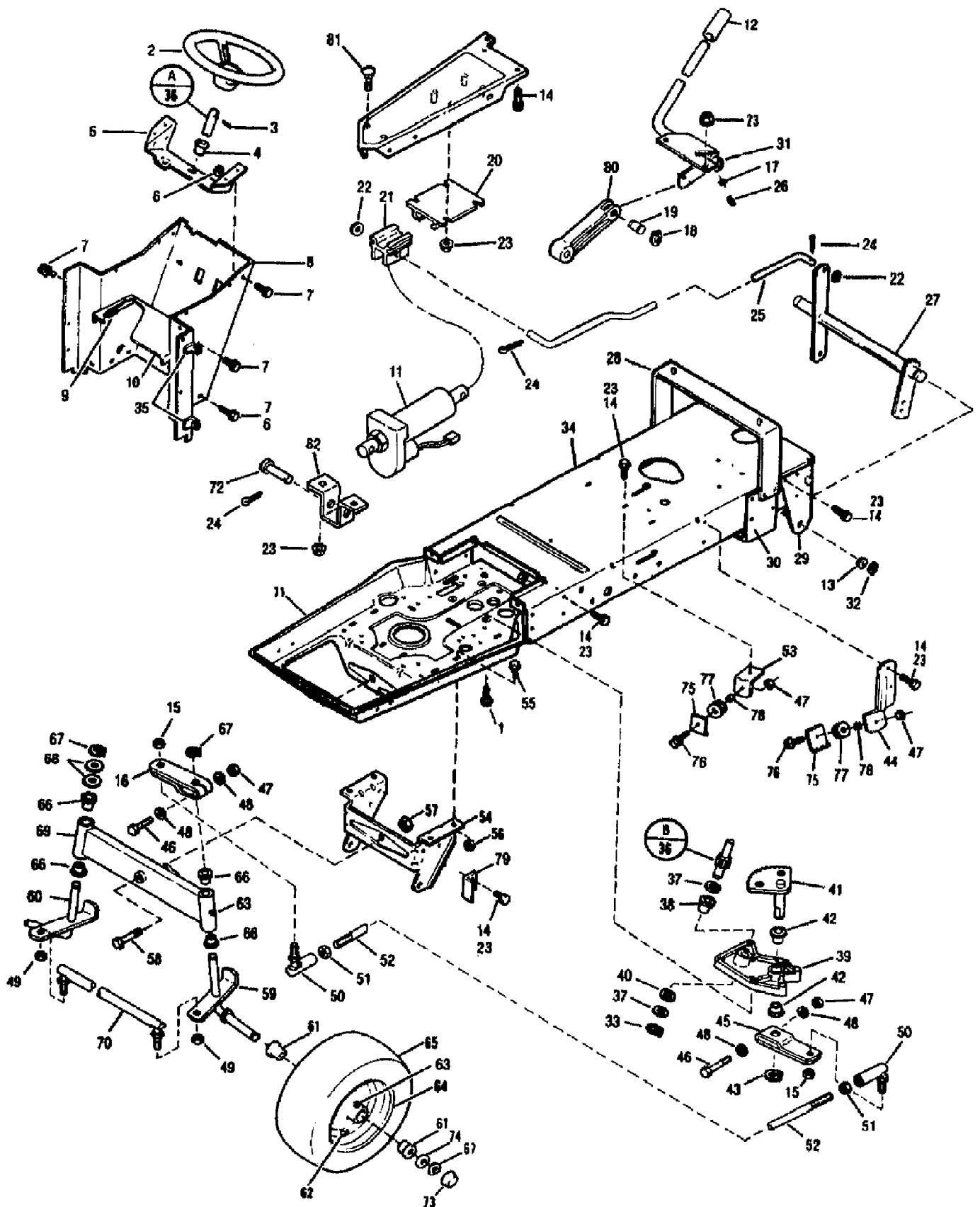


3214GR ST 140 (S/N B030100101-B030199999)  
ENGINE ASSEMBLY

Page 12 of 20

| Ref # | Part Number | Qty | S/P/F | Description                    |
|-------|-------------|-----|-------|--------------------------------|
| 1     | 1744390     | 0   |       | PAD-FUEL TANK                  |
| 2     | 1756044     | 0   | S     | CAP-GAS                        |
| 3     | 1756460     | 0   |       | TANK-FUEL                      |
| 4     | 1752795     | 0   |       | LINE-FUEL 52"                  |
| 5     | 1750687     | 0   | S     | CLAMP-HOSE                     |
| 6     | 1750962     | 0   |       | SCR                            |
| 7     | 1754564STB  | 0   |       | SHIELD-HEAT RH                 |
| 8     | 1737118     | 0   | S     | KNOB                           |
| 9     | 1755904     | 0   |       | THROTTLE-CONTROL               |
| 10    | 1755903     | 0   |       | CHOKE-CONTROL                  |
| 11    | 0           | 0   | F     | N/A                            |
| 12    | 1185712     | 0   |       | SCR                            |
| 13    | 1752882GAR  | 0   |       | SHIELD-HEAT {3114GR}           |
| 13    | 1752882STB  | 0   |       | SHIELD-HEAT (RED) {3214GR}     |
| 14    | 1727491     | 0   | S     | FILTER-FUEL                    |
| 15    | 1754578GAR  | 0   |       | SHIELD-HEAT {3114GR}           |
| 15    | 1754578STB  | 0   |       | SHIELD-HEAT (RED) {3214GR}     |
| 16    | 0           | 0   | F     | ENGINE, B&S 14HP, MODEL 400707 |
| 17    | 0           | 0   | F     | N/A                            |
| 18    | 0           | 0   | F     | N/A                            |
| 19    | 1732137     | 0   |       | SEALING-STRIP                  |
| ?20   | 1735531     | 0   | S     | TIE-CABLE NYLON BLACK          |
| 21    | 1747738     | 0   | /P    | CLIP-J                         |
| 22    | 1745366     | 0   |       | HANGER-CABLE                   |
| 23    | 1743683     | 0   |       | ELBOW-45 DEGREES               |
| 24    | 1743685     | 0   |       | NIPPLE-PIPE                    |
| 25    | 1743684     | 0   |       | ELBOW-90 DEGREES               |
| 26    | 1744455     | 0   | /P    | WASHER-SPEC 1.42X.468X.25 ZP   |
| 27    | 0           | 0   | F     | N/A                            |
| 28    | 1754563STB  | 0   |       | SHIELD-HEAT LH                 |
| 29    | 1744454     | 0   | S     | SCR-HH 7/16-20X3 G5 ZP         |
| 30    | 1185986     | 0   | S     | NUT-SPEED #10                  |
| 31    | 1186389     | 0   | /P    | NUT-HF/LK 1/4-20 ZP            |
| 32    | 1186307     | 0   | S     | SCR                            |
| 33    | 0           | 0   | F     | N/A                            |
| 34    | 0           | 0   | F     | N/A                            |
| 35    | 1187474     | 0   |       | KEY-.25 SQ X 1.25              |
| 36    | 1747148     | 0   |       | SHEAVE                         |
| 37    | 1755341     | 0   | S     | CLUTCH-ELECTRIC                |
| 38    | 1754787     | 0   | /P    | CLUTCH-RETAINER                |
| 39    | 0           | 0   | F     | N/A                            |
| 40    | 0           | 0   | F     | N/A                            |
| 41    | 1754612     | 0   |       | TRIM                           |
| 42    | 1754887STB  | 0   |       | PIPE-EXHAUST                   |
| 43    | 1740752     | 0   |       | RIVET-POP .125                 |

3214GR ST 140 (S/N B030100101-B030199999)  
FRAME, LIFT & STEERING ASSEMBLY



3214GR ST 140 (S/N B030100101-B030199999)  
FRAME, LIFT & STEERING ASSEMBLY

Page 14 of 20

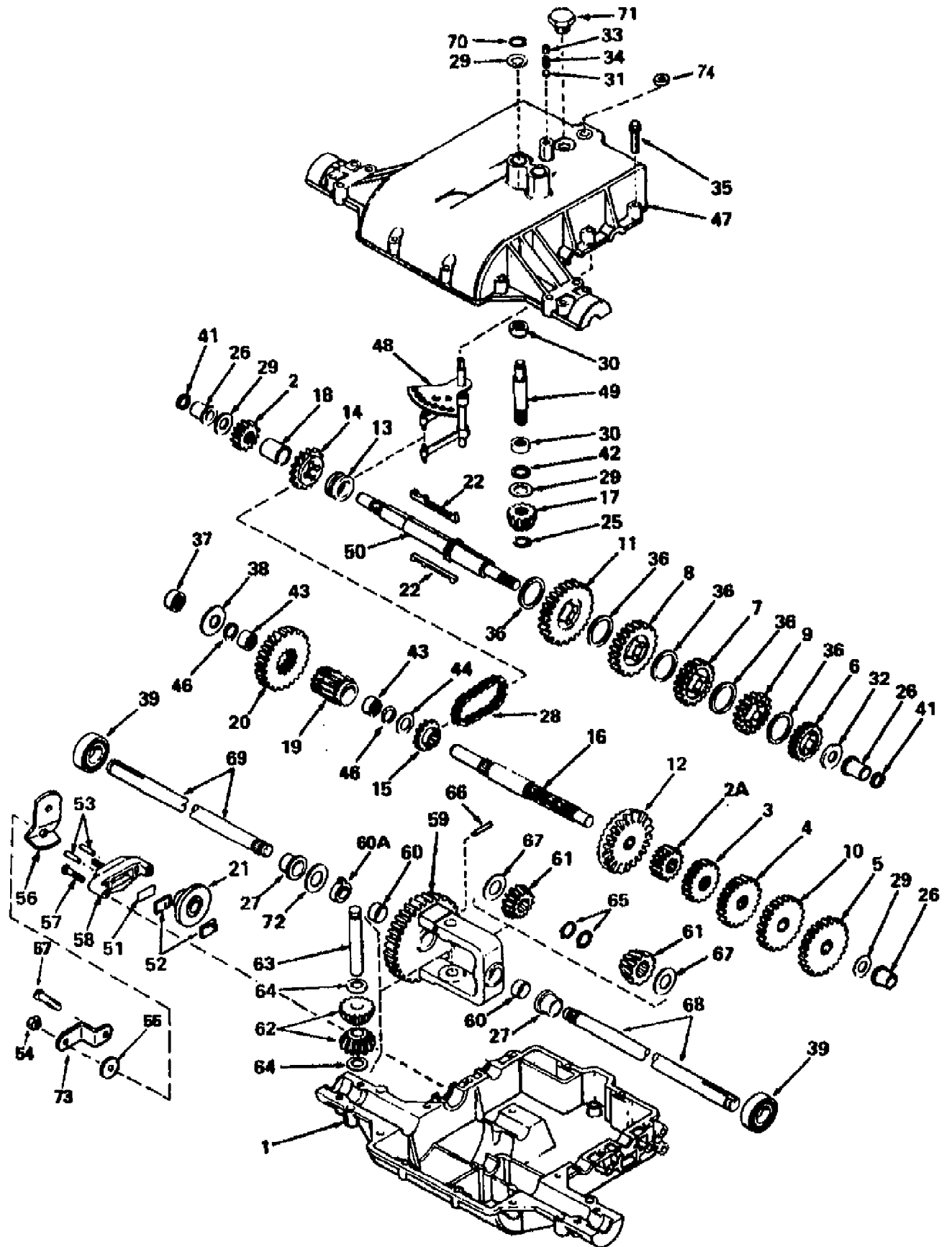
| Ref # | Part Number | Qty | S/P/F | Description                                |
|-------|-------------|-----|-------|--|
| 1     | 1724491     | 0   | S     | SCR-HFLK 5/16-18X.75                       |
| 2     | 1756862     | 0   |       | WHEEL-STEERING                             |
| 3     | 0           | 0   | F     | N/A  |
| 4     | 1185632     | 0   |       | BEARING-FLANGED NYLON                      |
| 5     | 1756608     | 0   |       | SUPPORT-STEERING SHAFT                     |
| 6     | 1186389     | 0   | /P    | NUT-HF/LK 1/4-20 ZP                        |
| 7     | 1186309     | 0   | /P    | SCR-HH 1/4-20X.625                         |
| 8     | 1758724GAR  | 0   |       | INSTR. PANEL SUPPORT                       |
| 9     | 1185456     | 0   |       | NUT-SPEED                                  |
| 10    | 1756073GAR  | 0   |       | SUPPORT-BATTERY                            |
| 11    | 1750450     | 0   |       | ACTUATOR {3114GR,3214GR}                   |
| 12    | 1753539     | 0   |       | SOLENOID {3212GR,3312GR,3312GRS}           |
| 13    | 1185830     | 0   | S     | WASHER-1.38 X.765X .06 ZP                  |
| 14    | 1186330     | 0   | S     | SCR-LOCK                                   |
| 15    | 1750957     | 0   |       | NUT-HEX/JAM 1/2-20 ZP                      |
| 16    | 1750495     | 0   |       | ARM-STEERING                               |
| 17    | 1805368     | 0   |       | WASHER {3212GR,3312GR,3312GRS}             |
| 18    | 1185427     | 0   |       | RING-RETAINING<br>{3212GR,3312GR,3312GRS}  |
| 19    | 1747189     | 0   |       | PIN {3212GR,3312GR,3312GRS}                |
| 20    | 1758272     | 0   |       | KIT-GUIDE (TRACTOR)                        |
| 21    | 1758272     | 0   |       | KIT-GUIDE (TRACTOR)                        |
| 22    | 0           | 0   | F     | N/A  |
| 23    | 1186391     | 0   | S     | NUT-HFLK 5/16-18 ZP                        |
| 24    | 0           | 0   | F     | N/A  |
| 25    | 1751070     | 0   |       | ROD-LIFT                                   |
| 26    | 1185803     | 0   |       | FITTING-GREASE<br>{3212GR,3312GR,3312GRS}  |
| 27    | 1754950GAR  | 0   |       | ASSM-LIFT SHAFT                            |
| 28    | 1754944GAR  | 0   |       | ASSM-FENDER SUPPORT                        |
| 29    | 1749801GAR  | 0   |       | ASSM-PANEL REAR                            |
| 30    | 1740984GAR  | 0   |       | SUPT-AXLE                                  |
| 31    | 1749028GAR  | 0   |       | ASSM-LIFT LEVER<br>{3212GR,3312GR,3312GRS} |
| 32    | 1185388     | 0   | S     | RING-RET."E".577 ID                        |
| 33    | 1177567     | 0   | S     | RING-RETAINING                             |
| 34    | 1755847GAR  | 0   |       | FRAME-REAR                                 |
| 35    | 1742934     | 0   |       | NUT-SPEED                                  |
| 36    | 1758726     | 0   |       | SHIFT-STEER                                |
| 37    | 1730375     | 0   |       | WASHER-SHIM                                |
| 38    | 1747303     | 0   |       | BEARING                                    |
| 39    | 1750594     | 0   |       | ASSM-STEER SUPT                            |
| 40    | 1715301     | 0   | /P    | WASHER-1.115X.637X.06                      |
| 41    | 1750501     | 0   |       | ASSM-SECTOR GEAR                           |
| 42    | 1185386     | 0   | /P    | BEARING-FLANGE                             |
| 43    | 1113527     | 0   | S     | RING-RETAIN EXT .707 ID                    |
| 44    | 1747315GAR  | 0   |       | BRACKET                                    |
| 45    | 1750581     | 0   |       | ASSM-ARM SPINDLE                           |
| 46    | 0           | 0   | F     | N/A  |
| 47    | 1733398     | 0   | S     | NUT-LOCK 3/8-16                            |
| 48    | 1708755     | 0   |       | WASHER-.875X.390X.134                      |
| 49    | 1110150     | 0   | S     | NUT-LOCK                                   |

3214GR ST 140 (S/N B030100101-B030199999)  
FRAME, LIFT & STEERING ASSEMBLY

Page 15 of 20

| Ref # | Part Number | Qty | S/P/F | Description                                 |
|-------|-------------|-----|-------|---|
| 50    | 1716180     | 0   |       | JOINT-BALL                                  |
| 51    | 1186247     | 0   | S     | NUT-JAM                                     |
| 52    | 1750499GAR  | 0   |       | ROD-STEER                                   |
| 53    | 1747316GAR  | 0   |       | BRACKET                                     |
| 54    | 1750811GAR  | 0   |       | BRKT-ATTACHMENT                             |
| 55    | 1186345     | 0   | /P    | SCR   |
| ?56   | 1186393     | 0   | /P    | NUT-HFLK 3/8-16 ZP                          |
| 57    | 1758231     | 0   | S     | NUT-H/LK 5/8-11                             |
| 58    | 1758232     | 0   |       | SCR-HH 5/8-11X2.25 G5 ZP                    |
| 59    | 1750486GAR  | 0   |       | ASSM-SPINDLE LH                             |
| 60    | 1750490GAR  | 0   | S     | ASSM-SPINDLE RH                             |
| 61    | 1720327     | 0   | S     | BUSHING                                     |
| 62    | 1718086     | 0   | S     | STEM-VALVE                                  |
| 63    | 1185976     | 0   | S     | FITTING-GREASE 1/4-28X2.00                  |
| 64    | 1757420GAW  | 0   |       | WHEEL                                       |
| 64    | 1757981     | 0   |       | WHEEL-RED {3312GR,3214GR}                   |
| 65    | 1756864     | 0   | S     | TIRE  |
| 66    | 1742133     | 0   | S     | BUSHING                                     |
| 67    | 1185388     | 0   | S     | RING-RET."E".577 ID                         |
| 68    | 1701447     | 0   | /P    | WASHER-1.25X.765X.049                       |
| 69    | 1750494GAR  | 0   |       | ASSM-FRONT AXLE                             |
| 70    | 1750841GAR  | 0   |       | ROD-TIE                                     |
| ?71   | 1742343GAR  | 0   |       | FRAME-FRONT                                 |
| 72    | 1706419     | 0   | S     | PIN-CLEVIS .5X2.0 ZP {3114GR,3214GR}        |
| 73    | 1744444     | 0   | /P    | CAP-WHEEL                                   |
| 74    | 1185830     | 0   | S     | WASHER-1.38 X.765X .06 ZP                   |
| 75    | 1747320     | 0   |       | GUIDE-CABLE                                 |
| 76    | 0           | 0   | F     | N/A   |
| 77    | 1756177     | 0   |       | PULLEY-CABLE                                |
| 78    | 1747322     | 0   |       | SPACER-.75X.40X.51 P/M                      |
| 79    | 1751715GAR  | 0   |       | BRACKET                                     |
| 80    | 1754179     | 0   | /P    | LINK-PUSH                                   |
| ?81   | 1736098     | 0   | S     | BOLT-CARR 5/16-18X.63 ZP<br>{3114GR,3214GR} |
| ?82   | 1750307     | 0   |       | BRACKET-LIFT {3114GR,3214GR}                |

3214GR ST 140 (S/N B030100101-B030199999)  
PEERLESS TRANSAXLE ASSEMBLY





3214GR ST 140 (S/N B030100101-B030199999)  
PEERLESS TRANSAXLE ASSEMBLY

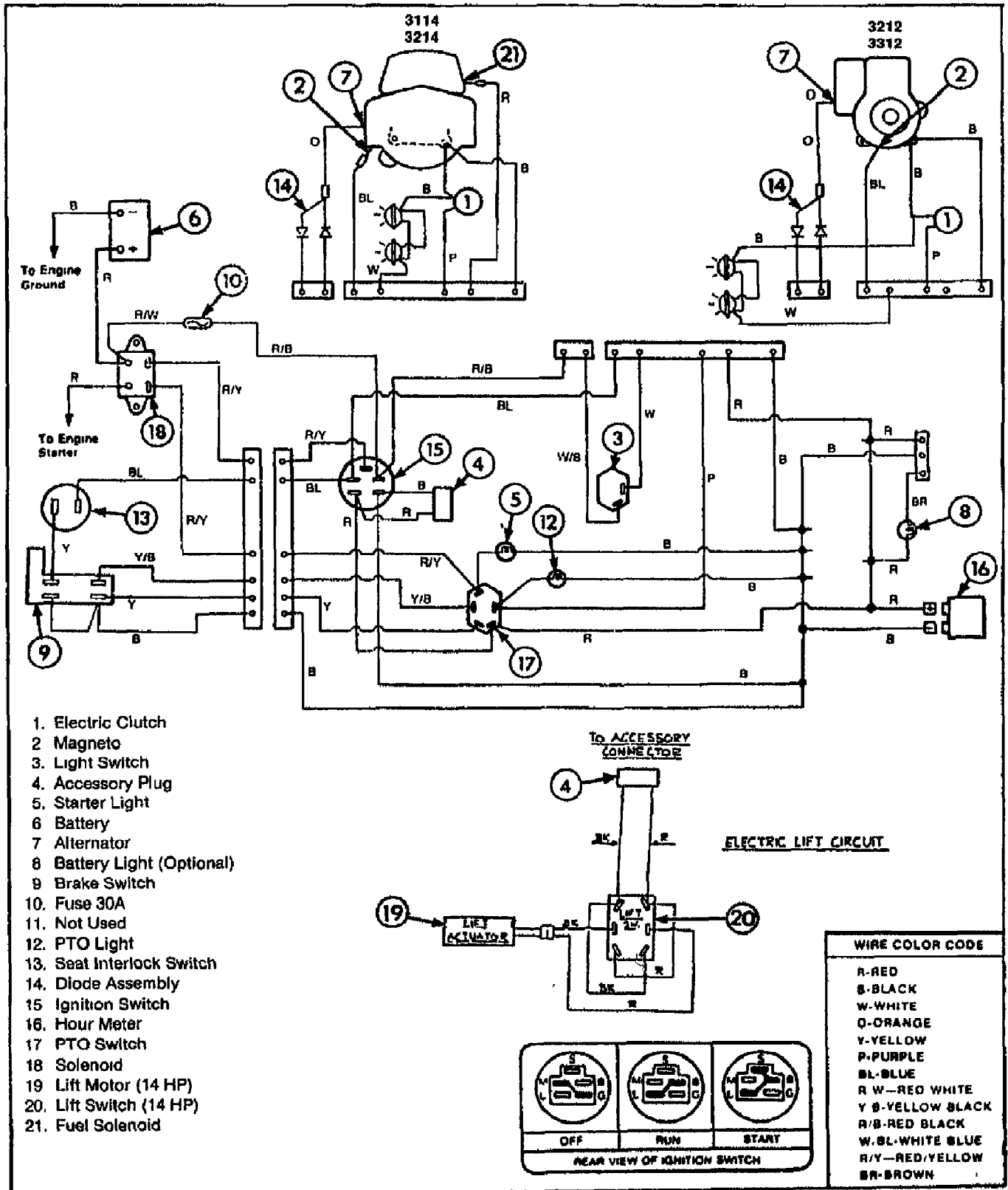
Page 17 of 20

| Ref # | Part Number | Qty | S/P/F | Description     |
|-------|-------------|-----|-------|-----------------|
| 1     | 770071A     | 0   |       | TRANSAXLE CASE  |
| 2     | 778136      | 0   |       | SPUR GEAR       |
| 2A    | 778145      | 0   |       | SPUR GEAR       |
| 3     | 778126A     | 0   |       | SPUR GEAR       |
| 4     | 778127A     | 0   |       | SPUR GEAR       |
| 5     | 778163      | 0   |       | SPUR GEAR       |
| 6     | 778162      | 0   |       | SPUR GEAR       |
| 7     | 778123A     | 0   | S     | SPUR GEAR       |
| 8     | 778124A     | 0   | S     | SPUR GEAR       |
| 9     | 778122A     | 0   |       | SPUR GEAR       |
| 10    | 778128A     | 0   |       | SPUR GEAR       |
| 11    | 778146A     | 0   |       | SPUR GEAR       |
| 12    | 778154      | 0   |       | BEVEL GEAR      |
| 13    | 784266      | 0   |       | COLLAR          |
| 14    | 786060      | 0   |       | SPROCKET        |
| 15    | 786061      | 0   |       | SPROCKET        |
| 16    | 776204      | 0   |       | COUNTERSHAFT    |
| 17    | 778153      | 0   |       | INPUT PINION    |
| 18    | 786074      | 0   |       | SPACER          |
| 19    | 778138      | 0   |       | OUTPUT GEAR     |
| 20    | 778139      | 0   |       | OUTPUT GEAR     |
| 21    | 790003      | 0   |       | BRAKE DISK      |
| 22    | 792089A     | 0   |       | SHIFT KEY       |
| 25    | 788040      | 0   |       | RET RING        |
| 26    | 780105A     | 0   | S     | BUSHING         |
| 27    | 780118A     | 0   |       | BUSHING         |
| 28    | 786062A     | 0   |       | ROLLER CHAIN    |
| 29    | 780072      | 0   | S     | WASHER          |
| 30    | 780122      | 0   |       | NEEDLE BEARING  |
| 31    | 792077      | 0   |       | BALL            |
| 32    | 780109      | 0   |       | WASHER          |
| 33    | 792078      | 0   |       | SCREW           |
| 34    | 792079      | 0   | S     | SPRING          |
| 35    | 792073      | 0   |       | SCREW           |
| 36    | 780108      | 0   | S     | WASHER          |
| 37    | 780121      | 0   |       | BALL BEARING    |
| 38    | 780113      | 0   |       | WASHER          |
| 39    | 780119      | 0   |       | BALL BEARING    |
| 41    | 788051      | 0   |       | SEAL            |
| 42    | 788057      | 0   |       | O RING          |
| 43    | 780112      | 0   |       | NEEDLE BEARING  |
| 44    | 780114      | 0   |       | WASHER          |
| 46    | 788053      | 0   |       | SQUARE CUT RING |
| 47    | 772082      | 0   |       | COVER           |
| 48    | 784290      | 0   |       | ROD & FORK      |
| 49    | 776226      | 0   |       | INPUT SHAFT     |
| 50    | 776183A     | 0   |       | BRAKE SHAFT     |
| 51    | 790007      | 0   | S     | BRAKE PAD PLATE |
| 52    | 790006      | 0   |       | BRAKE PAD       |
| 53    | 786026      | 0   | S     | DOWEL PIN       |
| 54    | 792075      | 0   |       | NUT             |
| 55    | 792076      | 0   |       | WASHER          |
| 56    | 790031      | 0   |       | BRAKE LEVER     |

3214GR ST 140 (S/N B030100101-B030199999)  
PEERLESS TRANSAXLE ASSEMBLY

Page 18 of 20

| Ref # | Part Number | Qty | S/P/F | Description    |
|-------|-------------|-----|-------|----------------|
| 57    | 792073      | 0   |       | SCREW          |
| 58    | 790025      | 0   |       | HOLDER         |
| 59    | 778053A     | 0   |       | DIFF GEAR ASSY |
| 60    | 780064      | 0   |       | BUSHING        |
| 60A   | 780120      | 0   |       | BUSHING        |
| 61    | 778166      | 0   |       | BEVEL GEAR     |
| 62    | 778131      | 0   | S     | BEVEL GEAR     |
| 63    | 786034      | 0   |       | DRIVE PIN      |
| 64    | 780065      | 0   |       | WASHER         |
| 65    | 792018      | 0   |       | RET RING       |
| 66    | 792040      | 0   |       | ROLL PIN       |
| 67    | 780001      | 0   |       | WASHER         |
| 68    | 774670      | 0   |       | AXLE           |
| 69    | 774669      | 0   |       | AXLE           |
| 70    | 792035      | 0   | S     | RET RING       |
| 71    | 792074      | 0   |       | PLUG           |
| 72    |             | 1   |       | UNKNOWN        |
| 73    | 786086      | 0   |       | BRACKET        |
| 74    | 788069      | 0   |       | SEAL           |



3214GR ST 140 (S/N B030100101-B030199999)  
WIRING DIAGRAM

Page 20 of 20

| Ref # | Part Number | Qty | S/P/F | Description       |
|-------|-------------|-----|-------|-------------------|
|       | 0           | 0   |       | ILLUSTRATION ONLY |