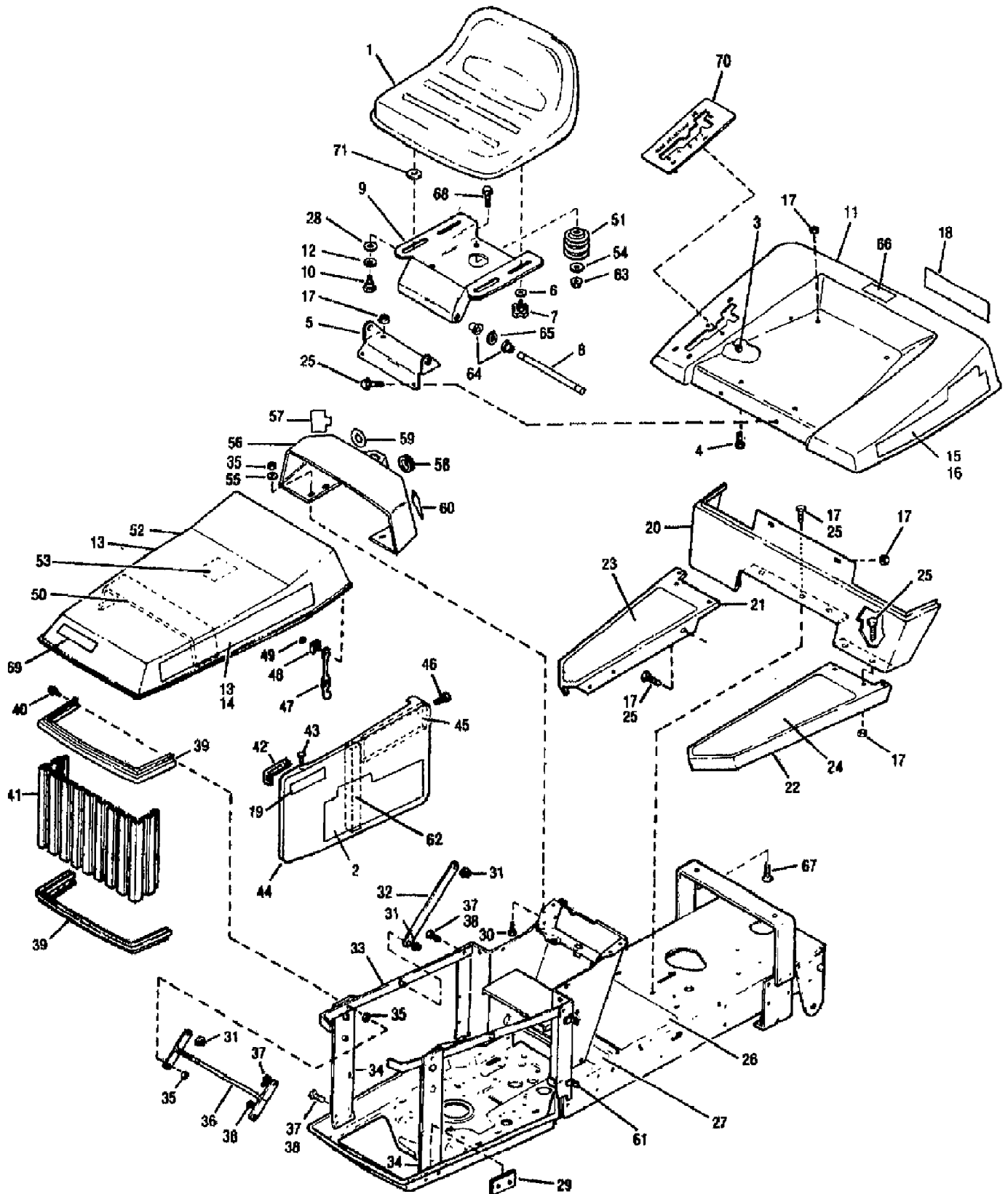


3212GR ST 120 (S/N 0100101-0199999)
BODYWORK & TRIM ASSEMBLY



3212GR ST 120 (S/N 0100101-0199999)
BODYWORK & TRIM ASSEMBLY

Page 2 of 20

Ref #	Part Number	Qty	S/P/F	Description
1	1756861	0		SEAT {3114GR,3214GR}
1	1759105	0		SEAT {3312GR,3312GRS}
2	1757281	0		DECAL-SIDE COVER LH {3212GR,3114GR}
2	1757282	0		DECAL-SIDE COVER RH {3212GR,3114GR}
2	1757941	0		DECAL-SIDECVR LH RED {3312GR,3214GR}
2	1757940	0		DECAL-SIDECVR RH RED {3312GR,3214GR}
3	1750532	0	S	NUT-SELF THREADING
4	1736098	0	S	BOLT-CARR 5/16-18X.63 ZP
5	1756466STB	0		BRACKET-PIVOT
6	0	0	F	N/A
7	1734269	0		KNOB
8	1755622	0		ROD
9	1755620STB	0		ASSM-SEAT SUPPORT
10	1754125	0	/P	SCR-SHLDR 3/8-16X.25 G5ZP
11	1756154GAR	0		FENDER-REAR
12	1705793	0		WASHER-1.06X.51X.09 NYLON
13	1757280	0		DECAL-HOOD RH {3212GR,3114GR}
13	1757937	0		DECAL-LOGO {3312GR,3214GR}
13	1759100	0		DECAL-LOGO {3312GR,3312GRS}
14	1757279	0		DECAL-HOOD LH {3212GR,3114GR}
14	1757937	0		DECAL-LOGO {3312GR,3214GR}
15	1757286	0		DECAL-FENDER RH {3212GR}
15	1757284	0		DECAL-FENDER RH {3114GR}
15	1757942	0		DECAL-FENDER RH RED {3312GR,3312GRS}
15	1757944	0		DECAL-FENDER RH RED {3214GR}
16	1757285	0		DECAL-FENDER LH {3212GR}
16	1757283	0		DECAL-FENDER LH {3114GR}
16	1757943	0		DECAL-FENDER LH RED {3312GR,3312GRS}
16	1757945	0		DECAL-FENDER LH RED {3214GR}
17	1186391	0	S	NUT-HFLK 5/16-18 ZP
18	1757254	0		DECAL-LOGO {3212GR,3114GR}
18	1757936	0		DECAL-LOGO FENDER {3312GR,3214GR}
18	1759102	0		DECAL-LOGO FENDER {3312GR,3312GRS}
19	1757278	0		DECAL-SIDE COVER {3212GR,3114GR}
20	1743987GAR	0		SUPT-RUNNING BOARD
21	1751805GAR	0		BOARD-RUNNING RH
22	1751803GAR	0		BOARD-RUNNING LH
23	1756888	0		PAD-FOOT RH {3212GR,3312GR,3312GRS}
23	1757915	0		PAD-FOOT RH {3114GR,3214GR}
24	1756890	0		PAD-FOOT LH
25	1186330	0	S	SCR-LOCK
26	1756889	0		PAD-FOOT
27	1755946	0		DECAL-INSTRUCTION
28	1706782	0	/P	WASHER-BOW .74X.52X.01
29	1754415	0		SPACER-PLATE
30	0	0	F	N/A
31	1747836	0	S	RETAINER-PUSH ON .24X.73 ZP

3212GR ST 120 (S/N 0100101-0199999)
BODYWORK & TRIM ASSEMBLY

Page 3 of 20

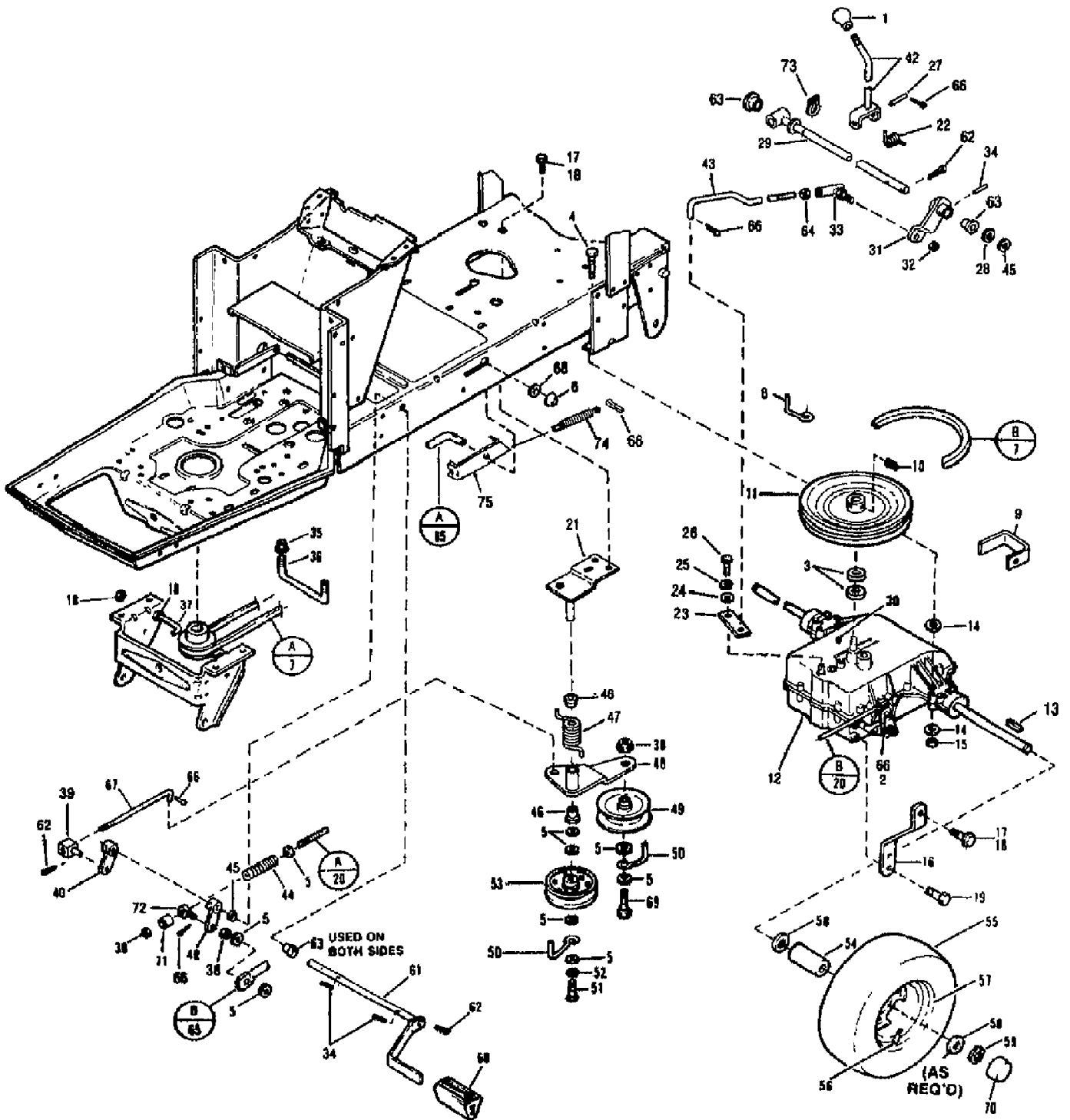
Ref #	Part Number	Qty	S/P/F	Description
32	1742459GAR	0		LINK-HINGE
33	1758587GAR	0		ASSM-HINGE STRAP
34	1752914GAW	0		ASSM-GRILLE SUPPORT {3212GR,3114GR}
34	1752914STB	0		ASSM-GRILLE SUPT (RED) {3312GR,3214GR}
35	1734398	0	S	NUT-HT LK 1/4-20
36	1742458GAR	0		LINK-HINGE
37	1186309	0	/P	SCR-HH 1/4-20X.625
38	1186389	0	/P	NUT-HF/LK 1/4-20 ZP
39	1742493GAW	0		CAP-GRILLE {3212GR,3114GR}
39	1742493GAR	0		CAP-GRILLE {3312GR,3214GR}
40	0	0	F	N/A
41	1742494GAW	0		GRILLE-BLACK {3212GR,3114GR}
41	1742494STB	0		GRILLE-BLACK {3312GR,3214GR}
42	1743566	0		GUIDE-SIDECOVER {3114GR}
42	1753912	0	F	GUIDE-SIDE CVR (RED)
43	1186059	0		RIVET-POP .125 {3114GR}
43	1756629	0		RIVET-POP {3212GR,3312GR,3312GRS,3214GR}
44	1743554GAW	0		COVER-SIDE LH {3212GR,3114GR}
44	1743554GAR	0		COVER-SIDE LH RED {3312GR,3214GR}
44	1743553GAW	0		COVER-SIDE RH {3212GR,3114GR}
44	1743553GAR	0		COVER-SIDE RH RED TRACTOR {3312GR,3214GR}
45	1744065	0		BLOCK-SEALING {3114GR,3214GR}
46	0	0	F	N/A
47	1727127	0		LATCH-RUBBER
48	1727126	0	/P	CLIP
49	1185985	0	S	NUT W/LKWASHER 10-24 ZP
50	1744067	0		STRIP-SEALING {3114GR,3214GR}
51	1755449	0	/P	SPRING-COMPRESSION
52	1744051GAW	0		ASSM-HOOD {3212GR,3114GR}
52	1744051GAR	0		ASSM-HOOD RED {3312GR,3214GR}
53	1756876	0		DECAL-SVC INST
54	1701055	0	/P	WASHER-FLAT 1.25X.406X.179
55	0	0	F	N/A
56	1753039	0		PANEL-INSTRUCTION
57	1756871	0	/P	DECAL-THROTTLE {3114GR,3214GR}
57	1755931	0		DECAL-THROTTLE {3212GR,3312GR,3312GRS}
58	1756739	0		CAP
59	1755932	0		DECAL-IGNITION
60	1755933	0		DECAL-CHOKE
61	1742934	0		NUT-SPEED
62	1754614	0		STRIP-SEALING {3114GR,3214GR}
63	1186393	0	/P	NUT-HFLK 3/8-16 ZP
64	1755779	0	/P	BEARING-FLANGE
65	1185257	0	S	RING-RET."E" .300 ID
66	1757366	0		DECAL-FUEL
67	1736098	0	S	BOLT-CARR 5/16-18X.63 ZP

3212GR ST 120 (S/N 0100101-0199999)
BODYWORK & TRIM ASSEMBLY

Page 4 of 20

Ref #	Part Number	Qty	S/P/F	Description
68	1186347	0	S	SCR-HFLK 3/8-16X1.00 ZP
69	1757276	0		DECAL-MODEL {3212GR,3114GR}
69	1759101	0		DECAL-LOGO {3312GR,3214GR,3312GRS}
70	1756740	0		QUADRANT-SHIFT
71	1893445	0	S	WASHER-FLAT

3212GR ST 120 (S/N 0100101-0199999)
BRAKE & CLUTCH ASSEMBLY



3212GR ST 120 (S/N 0100101-0199999)
BRAKE & CLUTCH ASSEMBLY

Page 6 of 20

Ref #	Part Number	Qty	S/P/F	Description
1	1756877	0		KNOB
2	0	0	F	N/A
3	1705092	0	S	WASHER-1.0X.64X.09
4	0	0	F	N/A
5	0	0	F	N/A
6	1747186	0		CAP-PUSH ON
7	1747188	0	/P	BELT-V
?8	1752798	0		ROD-BELT GUIDE
9	1750297	0		GUIDE-BELT
10	1185596	0		SCR-SET 5/16-18 X 5/16
11	1743640	0		SHEAVE-TRANSMISSION
12	0	0	F	TRANSMISSION, PEERLESS 5-SPEED, MODEL 801-046
12	0	0	F	TRANSMISSION, PEERLESS 5-SPEED, MODEL 920-011
13	B1104335	0		KEY
14	0	0	F	N/A
15	1732499	0	/P	NUT-TOP/LK 5/16-18 ZP
16	1742103GAR	0		TRANS-SUPPORT
17	1186330	0	S	SCR-LOCK
18	1186391	0	S	NUT-HFLK 5/16-18 ZP
19	1724491	0	S	SCR-HFLK 5/16-18X.75
20	1746943	0	/P	ROD-BRAKE
21	1751808GAR	0		ASSM-LEVER SUPP
22	1750526	0		SPRING-TORSION
23	1743606	0		ARM-TRANS {3114GR,3214GR}
23	1754661	0		ARM-TRANSMISSION {3212GR,3312GR,3312GRS}
24	0	0	F	N/A
25	0	0	F	N/A
26	0	0	F	N/A
27	1750946	0		PIN-.375 X 2.42 ZP
28	1705093	0	S	WASHER-1.0X.64X.029
29	1750539	0		ASSM-SHAFT
30	0	0	F	N/A
31	1750299	0		ASSM-SHIFT ARM {3114GR,3214GR}
31	1754663	0		ASSM-ARM SHIFT {3212GR,3312GR,3312GRS}
32	0	0	F	N/A
33	1752524	0		JOINT-BALL
34	1120210	0		PIN-ROLL .188X1.0
35	1186389	0	/P	NUT-HF/LK 1/4-20 ZP
36	1744320	0		GUIDE-BELT
37	1757291	0	/P	GUIDE-BELT
38	1733398	0	S	NUT-LOCK 3/8-16
39	1748491	0		PIVOT
40	1751880	0		ASSM-ARM
42	1756047	0		ASSM-SHIFT LEVER
43	1752523	0		ROD-SHIFT {3114GR,3214GR}
43	1754660	0		ROD-SHIFT {3212GR,3312GR,3312GRS}
44	1728908	0		SPRING

3212GR ST 120 (S/N 0100101-0199999)
BRAKE & CLUTCH ASSEMBLY

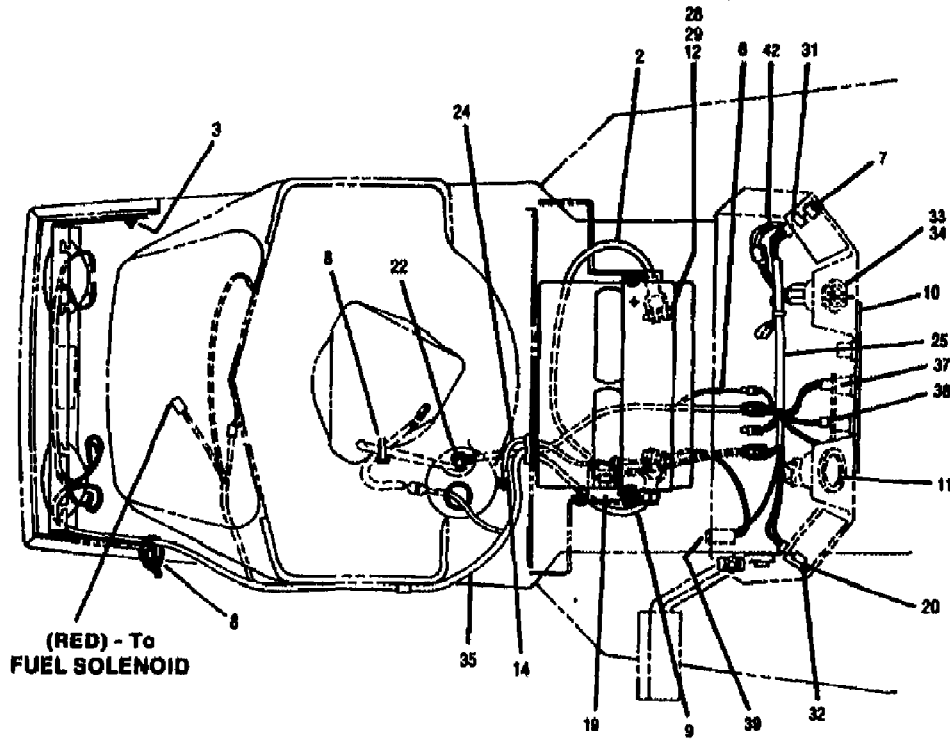
Page 7 of 20

Ref #	Part Number	Qty	S/P/F	Description
45	0	0	F	N/A
46	1715538	0	/P	BUSHING-.5X.5 NYLON FLNG
47	1751809	0	/P	SPRING-TORSION
?48	1746941GAR	0		ASSM-IDLER ARM
49	1726660	0	S	PULLEY-IDLER
50	1725555	0	S	GUIDE-BELT
51	0	0	F	N/A
52	0	0	F	N/A
53	1756151	0	/P	IDLER
54	1742054	0		SPACER-1.0X.798X1.38 ZP
55	1756867	0		TIRE
56	1718086	0	S	STEM-VALVE
57	1757422GAW	0		WHEEL DISC
57	1757986	0	S	WHEEL-REAR {3312GR,3214GR}
58	1747998	0		WASHER-1.87X.765X.06 SPECIAL
59	1185388	0	S	RING-RET."E".577 ID
60	1728694	0	/P	FOOT REST
61	1756049	0		ASSM-BRAKE PEDAL
62	0	0	F	N/A
63	1714233	0		BUSHING-.68X.62X.15 FLNG
64	0	0	F	N/A
?65	1751063	0		ROD-BRAKE LOCK
66	0	0	F	N/A
67	1746942	0		ROD-CLUTCH
68	1893445	0	S	WASHER-FLAT
69	0	0	F	N/A
70	1747873	0	/P	CAP-WHEEL
71	1713783	0		SPACER-.62X.406X.56 ZP
72	1749904	0		BOLT-EYE
73	1177567	0	S	RING-RETAINING
74	1729482	0		SPRING
75	1755584GAR	0		BRACKET-INTERLOCK

3212GR ST 120 (S/N 0100101-0199999)
ELECTRICAL ASSEMBLY

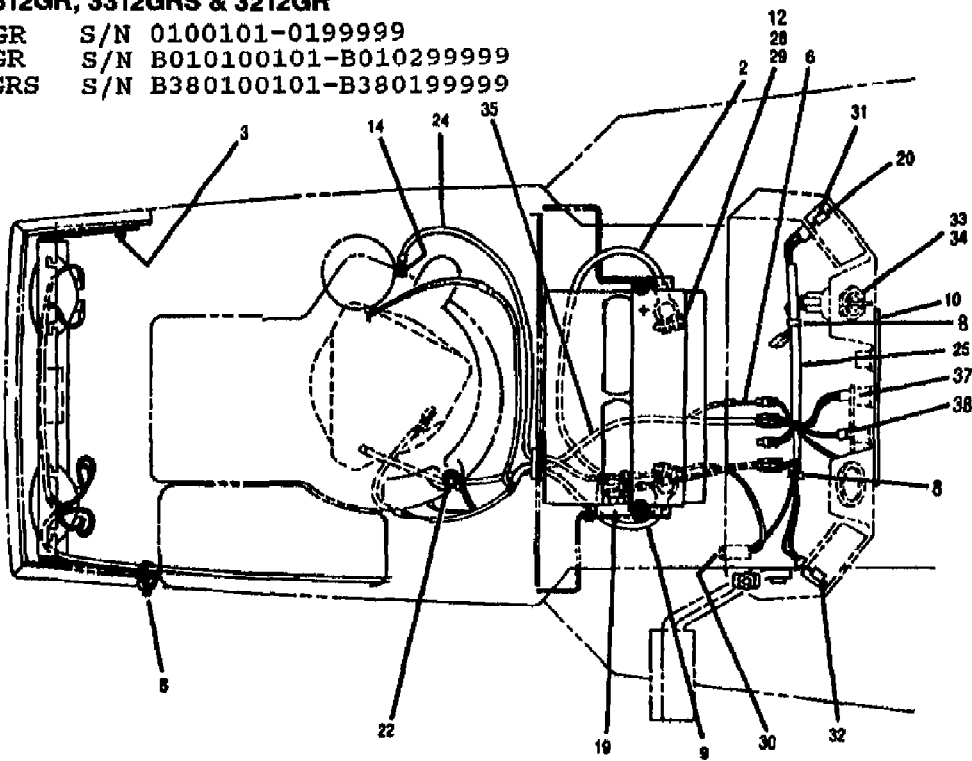
MODELS 3214GR & 3114GR

MODEL 3114GR S/N 0100101-0199999
MODEL 3214GR S/N B030100101-B030199999



MODELS 3312GR, 3312GRS & 3212GR

MODEL 3212GR S/N 0100101-0199999
MODEL 3312GR S/N B010100101-B010299999
MODEL 3312GRS S/N B380100101-B380199999



3212GR ST 120 (S/N 0100101-0199999)
ELECTRICAL ASSEMBLY

Page 9 of 20

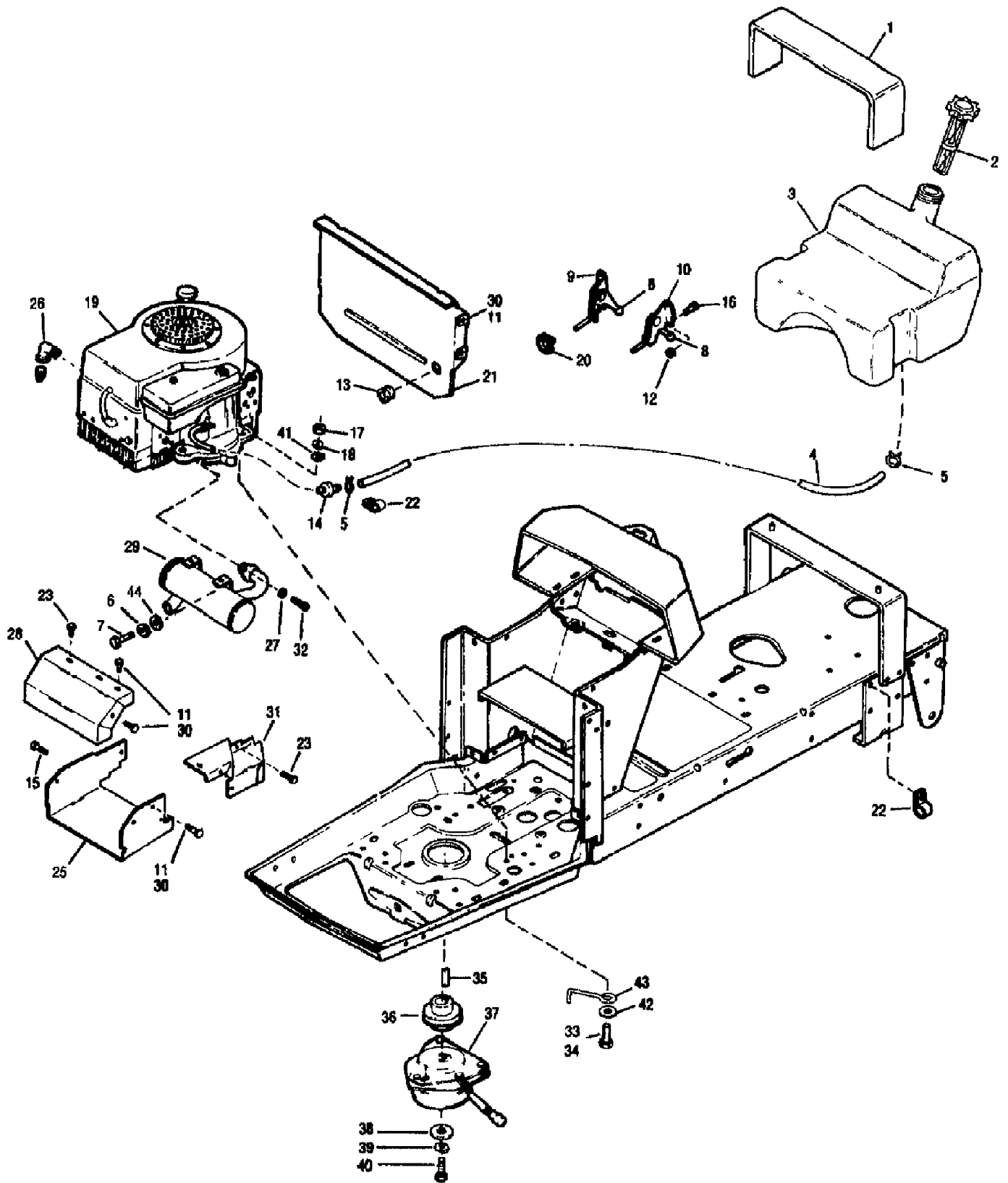
Ref #	Part Number	Qty	S/P/F	Description
?1	1751088	0		HARNESS-ACTUATOR {3114GR,3214GR,3214GR}
2	1756074	0	/P	CABLE-BATTERY (+)
3	1186389	0	/P	NUT-HF/LK 1/4-20 ZP
?4	1744021STB	0		SUPPORT-LIGHT
5	1726435	0		HEADLAMP
6	1755616	0		ASSM-DIODE
7	1753874	0	S	SWITCH-ELEC LIFT {3114GR,3214GR,3214GR}
8	1735531	0	S	TIE-CABLE NYLON BLACK
9	1756075	0		CABLE-BATTERY (-) {3114GR,3312GR,3312GRS, 3214GR,321
9	1754220	0	/P	CABLE (-) {3214GR}
10	1756872	0		LENSE
11	1754550	0		METER-HOUR (TRACTOR)
12	0	0	F	N/A
?13	0	0	F	N/A
14	1734398	0	S	NUT-HT LK 1/4-20
?15	1752586	0		BOLT-HOOK
?16	0	0	F	N/A
?17	1185985	0	S	NUT W/LKWASHER 10-24 ZP
?18	1752840	0		BATTERY
19	1752137	0	S	SOLENOID
20	1750963	0		SCR-FHP #6-32X.50 ZP
?21	1744022	0		RETAINER
22	0	0	F	N/A
?23	1748014	0		GROMMET-SPLIT
24	1722081	0		CABLE-STARTER {3114GR,3214GR}
24	1741506	0		CABLE-STARTER {3312GR,3312GRS,3212GR}
24	1752841	0		CABLE-BATTERY (+) {3214GR}
25	1752134	0		HARNESS-CONSOLE WIRING
?26	1747738	0	/P	CLIP-J
?27	1756630	0		PAD-RUBBER
28	0	0	F	N/A
29	0	0	F	N/A
30	1756076	0		HARNESS-INTERLOCK
31	1754608	0	/P	SWITCH-PTO
32	1754856	0		SWITCH-LIGHT
33	1754250	0	S	SWITCH-IGNITION
34	1753986	0	/P	KEY-IGNITION
35	1752136	0		HARNESS-ENGINE {3114GR,3214GR}
35	1752908	0		HARNESS-WIRE ENGINE {3312GR,3312GRS,3212GR}
35	1758466	0		HARNESS-ENGINE {3214GR}
?36	1755802	0	/P	BATTERY-HOLDDOWN
37	1751572	0	S	BULB (MFG NO. GE 73)
38	1186020	0		SCR-PHP M6-32X.38 ZP
39	1743516	0	S	FUSE-30 AMP
?40	1752809	0		GROMMET
?41	1751328	0	S	SWITCH

3212GR ST 120 (S/N 0100101-0199999)
ELECTRICAL ASSEMBLY

Page 10 of 20

Ref #	Part Number	Qty	S/P/F	Description
42	1747353	0		HARNESS-ELEC LIFT {3114GR,3214GR,3214GR}
?43	1755349	0		SCR-PHP 1/4-20X.50 ZP
?44	1752506	0	/P	SWITCH-SEAT
?45	1755487	0		GROMMET
?46	1754934	0		DECAL

3212GR ST 120 (S/N 0100101-0199999)
ENGINE ASSEMBLY

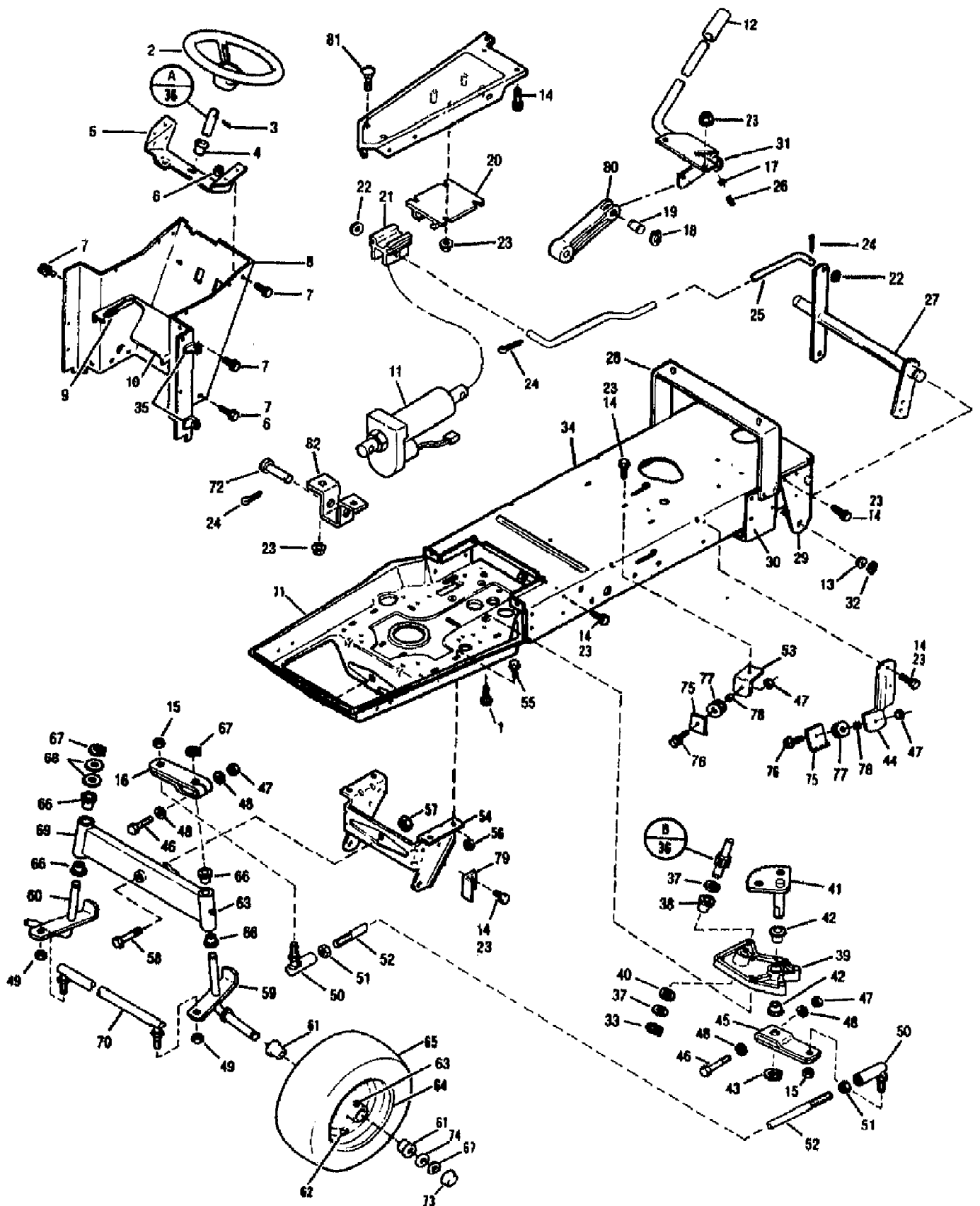


3212GR ST 120 (S/N 0100101-0199999)
ENGINE ASSEMBLY

Page 12 of 20

Ref #	Part Number	Qty	S/P/F	Description
1	1744390	0		PAD-FUEL TANK
2	1756044	0	S	CAP-GAS
3	1756460	0		TANK-FUEL
4	1752795	0		LINE-FUEL 52"
5	1750687	0	S	CLAMP-HOSE
6	0	0	F	N/A
7	0	0	F	N/A
8	1737118	0	S	KNOB
9	1755926	0	S	THROTTLE-CONTROL
10	1755927	0		C-CONTROL
11	0	0	F	N/A
12	0	0	F	N/A
13	1748014	0		GROMMET-SPLIT
14	1727491	0	S	FILTER-FUEL
15	1186330	0	S	SCR-LOCK
16	1750962	0		SCR
17	0	0	F	N/A
18	0	0	F	N/A
19	0	0	F	ENGINE, BRIGGS & STRATTON 12HP, MODEL 281707
20	1735531	0	S	TIE-CABLE NYLON BLACK
21	1752883GAR	0		SHIELD-HEAT (RED) {3212GR}
21	1752883STB	0		SHIELD-HEAT (RED) {3312GR}
22	1747738	0	/P	CLIP-J
23	1186309	0	/P	SCR-HH 1/4-20X.625
25	1752909STB	0		SHIELD-HEAT
26	1752912	0		ELBOW-90 DEGREES
27	1185140	0	S	WASHER-LOCK
28	1752911STB	0		SHIELD-HEAT
29	1752890	0		MUFFLER
30	1185986	0	S	NUT-SPEED #10
31	1752910STB	0		SHIELD-HEAT
32	1747993	0	S	SCR-HXSKT 5/16-18X.75 BO
33	0	0	F	N/A
34	0	0	F	N/A
35	1187474	0		KEY-.25 SQ X 1.25
36	1747148	0		SHEAVE
37	1755341	0	S	CLUTCH-ELECTRIC
38	1744455	0	/P	WASHER-SPEC 1.42X.468X.25 ZP
39	0	0	F	N/A
40	1744454	0	S	SCR-HH 7/16-20X3 G5 ZP
41	0	0	F	N/A
42	0	0	F	N/A
43	1754787	0	/P	CLUTCH-RETAINER
44	1755340	0		SPACER-.625X.344X.34

3212GR ST 120 (S/N 0100101-0199999)
FRAME, LIFT & STEERING ASSEMBLY



3212GR ST 120 (S/N 0100101-0199999)
FRAME, LIFT & STEERING ASSEMBLY

Page 14 of 20

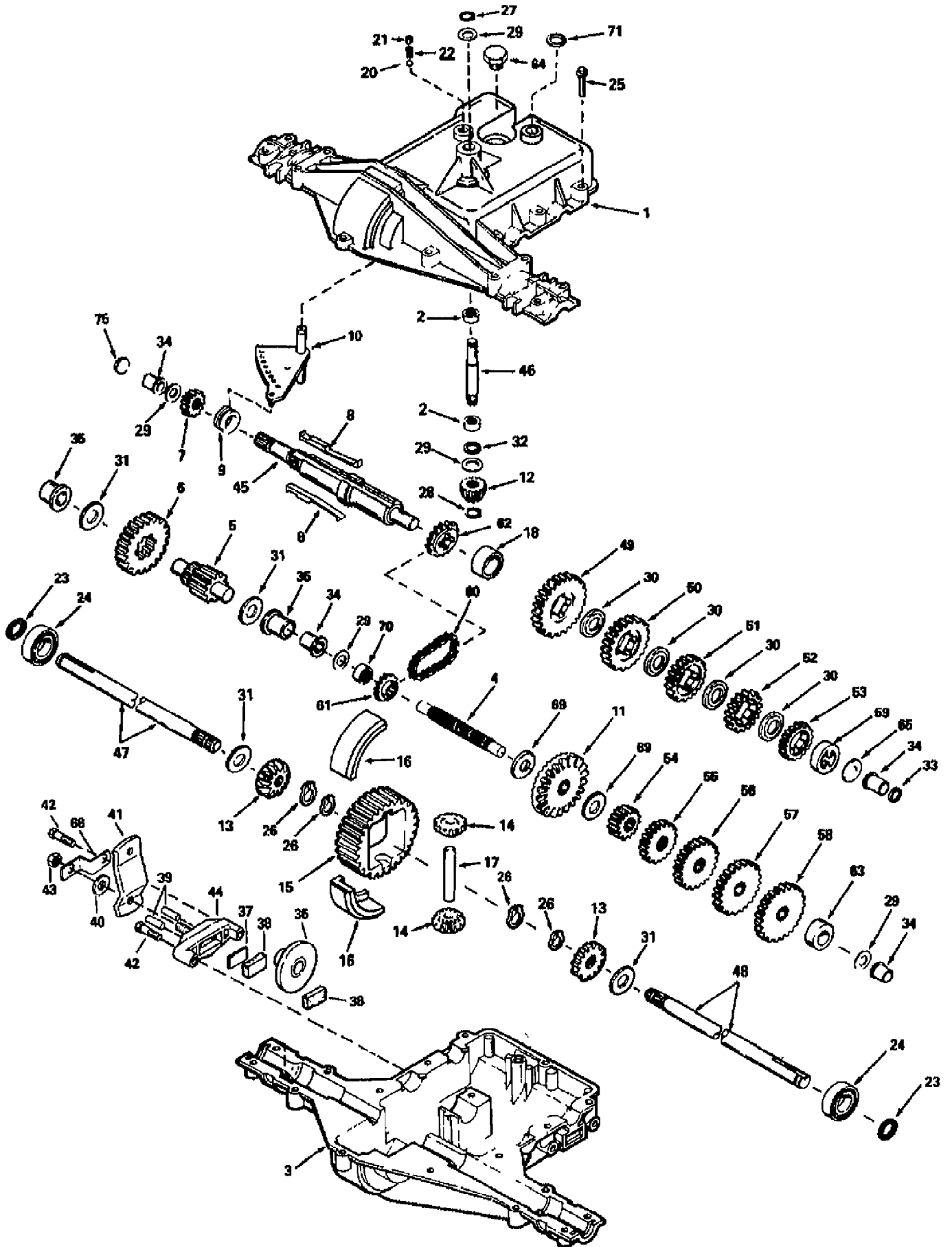
Ref #	Part Number	Qty	S/P/F	Description
1	1724491	0	S	SCR-HFLK 5/16-18X.75
2	1756862	0		WHEEL-STEERING
3	0	0	F	N/A
4	1185632	0		BEARING-FLANGED NYLON
5	1756608	0		SUPPORT-STEERING SHAFT
6	1186389	0	/P	NUT-HF/LK 1/4-20 ZP
7	1186309	0	/P	SCR-HH 1/4-20X.625
8	1758724GAR	0		INSTR. PANEL SUPPORT
9	1185456	0		NUT-SPEED
10	1756073GAR	0		SUPPORT-BATTERY
11	1750450	0		ACTUATOR {3114GR,3214GR}
12	1753539	0		SOLENOID {3212GR,3312GR,3312GRS}
13	1185830	0	S	WASHER-1.38 X.765X .06 ZP
14	1186330	0	S	SCR-LOCK
15	1750957	0		NUT-HEX/JAM 1/2-20 ZP
16	1750495	0		ARM-STEERING
17	1805368	0		WASHER {3212GR,3312GR,3312GRS}
18	1185427	0		RING-RETAINING {3212GR,3312GR,3312GRS}
19	1747189	0		PIN {3212GR,3312GR,3312GRS}
20	1758272	0		KIT-GUIDE (TRACTOR)
21	1758272	0		KIT-GUIDE (TRACTOR)
22	0	0	F	N/A
23	1186391	0	S	NUT-HFLK 5/16-18 ZP
24	0	0	F	N/A
25	1751070	0		ROD-LIFT
26	1185803	0		FITTING-GREASE {3212GR,3312GR,3312GRS}
27	1754950GAR	0		ASSM-LIFT SHAFT
28	1754944GAR	0		ASSM-FENDER SUPPORT
29	1749801GAR	0		ASSM-PANEL REAR
30	1740984GAR	0		SUPT-AXLE
31	1749028GAR	0		ASSM-LIFT LEVER {3212GR,3312GR,3312GRS}
32	1185388	0	S	RING-RET."E".577 ID
33	1177567	0	S	RING-RETAINING
34	1755847GAR	0		FRAME-REAR
35	1742934	0		NUT-SPEED
36	1758726	0		SHIFT-STEER
37	1730375	0		WASHER-SHIM
38	1747303	0		BEARING
39	1750594	0		ASSM-STEER SUPT
40	1715301	0	/P	WASHER-1.115X.637X.06
41	1750501	0		ASSM-SECTOR GEAR
42	1185386	0	/P	BEARING-FLANGE
43	1113527	0	S	RING-RETAIN EXT .707 ID
44	1747315GAR	0		BRACKET
45	1750581	0		ASSM-ARM SPINDLE
46	0	0	F	N/A
47	1733398	0	S	NUT-LOCK 3/8-16
48	1708755	0		WASHER-.875X.390X.134
49	1110150	0	S	NUT-LOCK

3212GR ST 120 (S/N 0100101-0199999)
FRAME, LIFT & STEERING ASSEMBLY

Page 15 of 20

Ref #	Part Number	Qty	S/P/F	Description
50	1716180	0		JOINT-BALL
51	1186247	0	S	NUT-JAM
52	1750499GAR	0		ROD-STEER
53	1747316GAR	0		BRACKET
54	1750811GAR	0		BRKT-ATTACHMENT
55	1186345	0	/P	SCR
56	1186393	0	/P	NUT-HFLK 3/8-16 ZP
57	1758231	0	S	NUT-H/LK 5/8-11
58	1758232	0		SCR-HH 5/8-11X2.25 G5 ZP
59	1750486GAR	0		ASSM-SPINDLE LH
60	1750490GAR	0	S	ASSM-SPINDLE RH
61	1720327	0	S	BUSHING
62	1718086	0	S	STEM-VALVE
63	1185976	0	S	FITTING-GREASE 1/4-28X2.00
64	1757420GAW	0		WHEEL
64	1757981	0		WHEEL-RED {3312GR,3214GR}
65	1756864	0	S	TIRE
66	1742133	0	S	BUSHING
67	1185388	0	S	RING-RET."E".577 ID
68	1701447	0	/P	WASHER-1.25X.765X.049
69	1750494GAR	0		ASSM-FRONT AXLE
70	1750841GAR	0		ROD-TIE
?71	1742343GAR	0		FRAME-FRONT
72	1706419	0	S	PIN-CLEVIS .5X2.0 ZP {3114GR,3214GR}
73	1744444	0	/P	CAP-WHEEL
74	1185830	0	S	WASHER-1.38 X.765X .06 ZP
75	1747320	0		GUIDE-CABLE
76	0	0	F	N/A
77	1756177	0		PULLEY-CABLE
78	1747322	0		SPACER-.75X.40X.51 P/M
79	1751715GAR	0		BRACKET
80	1754179	0	/P	LINK-PUSH
81	1736098	0	S	BOLT-CARR 5/16-18X.63 ZP {3114GR,3214GR}
?82	1750307	0		BRACKET-LIFT {3114GR,3214GR}

3212GR ST 120 (S/N 0100101-0199999)
PEERLESS TRANSAXLE ASSEMBLY



3212GR ST 120 (S/N 0100101-0199999)
PEERLESS TRANSAXLE ASSEMBLY

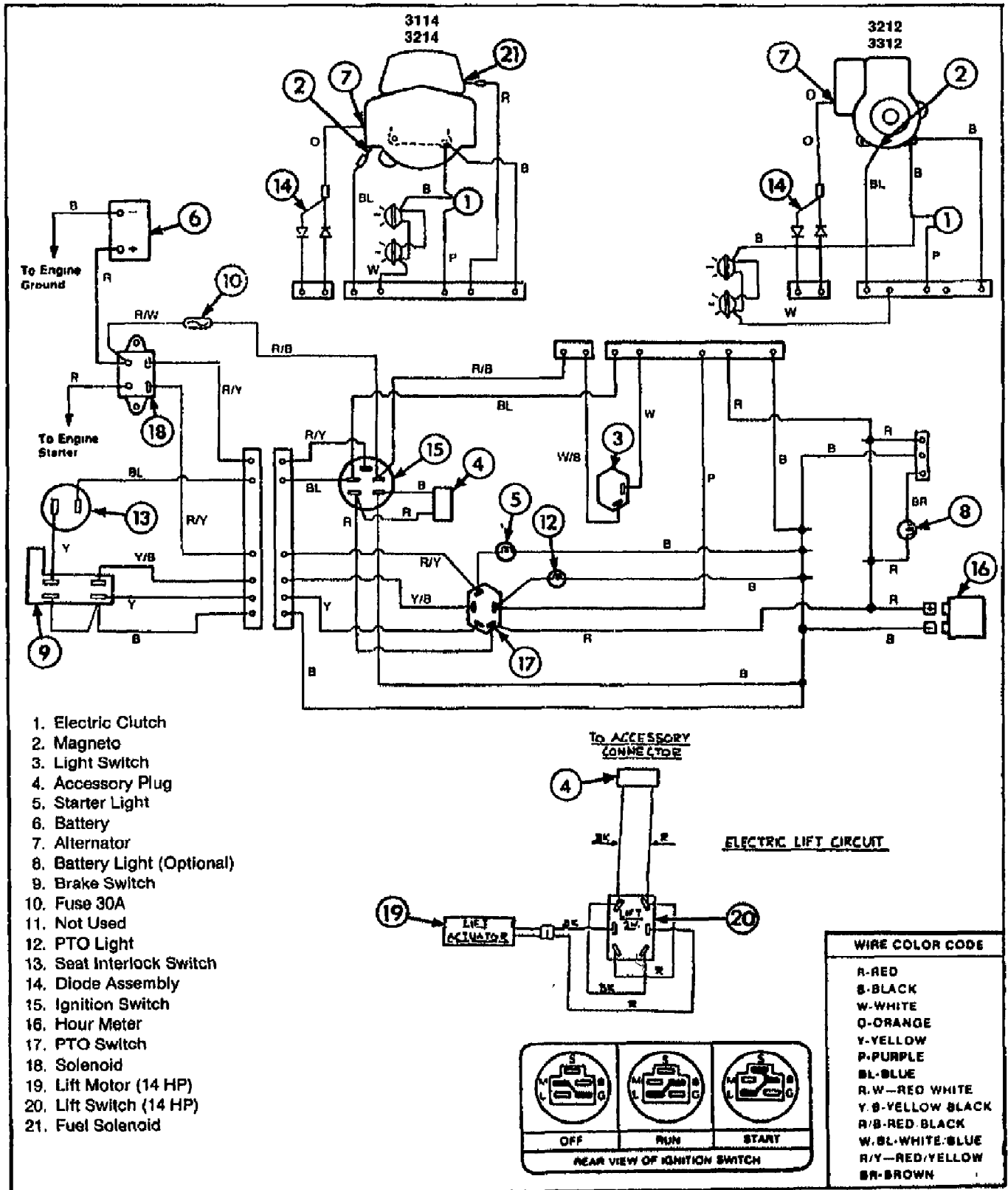
Page 17 of 20

Ref #	Part Number	Qty	S/P/F	Description
1	772094	0		COVER
2	780086	0		NEEDLE BEARING
3	1100821	0		CASE
4	776260	0		COUNTERSHAFT
5	776219	0		SHAFT & GEAR
6	778139	0		OUTPUT GEAR
7	778136	0		SPUR GEAR
8	792123A	0		SHIFT KEY
9	784216	0		COLLAR
10	784337A	0		ROD & FORK
11	778229	0		BEVEL GEAR
12	778113A	0	S	INPUT PINION
13	778221	0		BEVEL GEAR
14	778068	0		BEVEL GEAR
15	778165	0		RING GEAR
16	786101	0		BEARING BLOCK
17	786040	0		DRIVE PIN
18	786102	0		SPACER
20	792077	0		BALL
21	792078	0		SCREW
22	792079	0	S	SPRING
23	788061	0	S	SEAL
24	780119	0		BALL BEARING
25	792073	0		SCREW
26	792125	0		RET RING
27	792035	0	S	RET RING
28	788040	0		RET RING
29	780072	0	S	WASHER
30	780108	0	S	WASHER
31	780001	0		WASHER
32	792001	0	S	O RING
33	788051	0		SEAL
34	780105A	0	S	BUSHING
35	780118A	0		BUSHING
36	790003	0		BRAKE DISK
37	790007	0	S	BRAKE PAD PLATE
38	790006	0		BRAKE PAD
39	786026	0	S	DOWEL PIN
40	792076	0		WASHER
41	790031	0		BRAKE LEVER
42	792073	0		SCREW
43	792075	0		NUT
44	790025	0		HOLDER
45	776267	0		BRAKE SHAFT
46	776226	0		INPUT SHAFT
47	774697	0		AXLE
48	774738	0		AXLE
49	778191	0		SPUR GEAR
50	778124A	0	S	SPUR GEAR
51	778123A	0	S	SPUR GEAR
52	778122A	0		SPUR GEAR
53	778209	0		SPUR GEAR
54	778230	0		SPUR GEAR

3212GR ST 120 (S/N 0100101-0199999)
PEERLESS TRANSAXLE ASSEMBLY

Page 18 of 20

Ref #	Part Number	Qty	S/P/F	Description
55	778126A	0		SPUR GEAR
56	778127A	0		SPUR GEAR
57	778128A	0		SPUR GEAR
58	778163	0		SPUR GEAR
59	786072	0		SPACER
60	786062A	0		ROLLER CHAIN
61	786061	0		SPROCKET
62	786124	0		SPROCKET
63	786071	0		SPACER
64	792074	0		PLUG
65	780109	0		WASHER
68	786086	0		BRACKET
69	780051	0		WASHER
70	786118	0		SPACER
71	788069	0		SEAL
75	786116	0		DISK



3212GR ST 120 (S/N 0100101-0199999)
WIRING DIAGRAM

Page 20 of 20

Ref #	Part Number	Qty	S/P/F	Description
	0	0		ILLUSTRATION ONLY