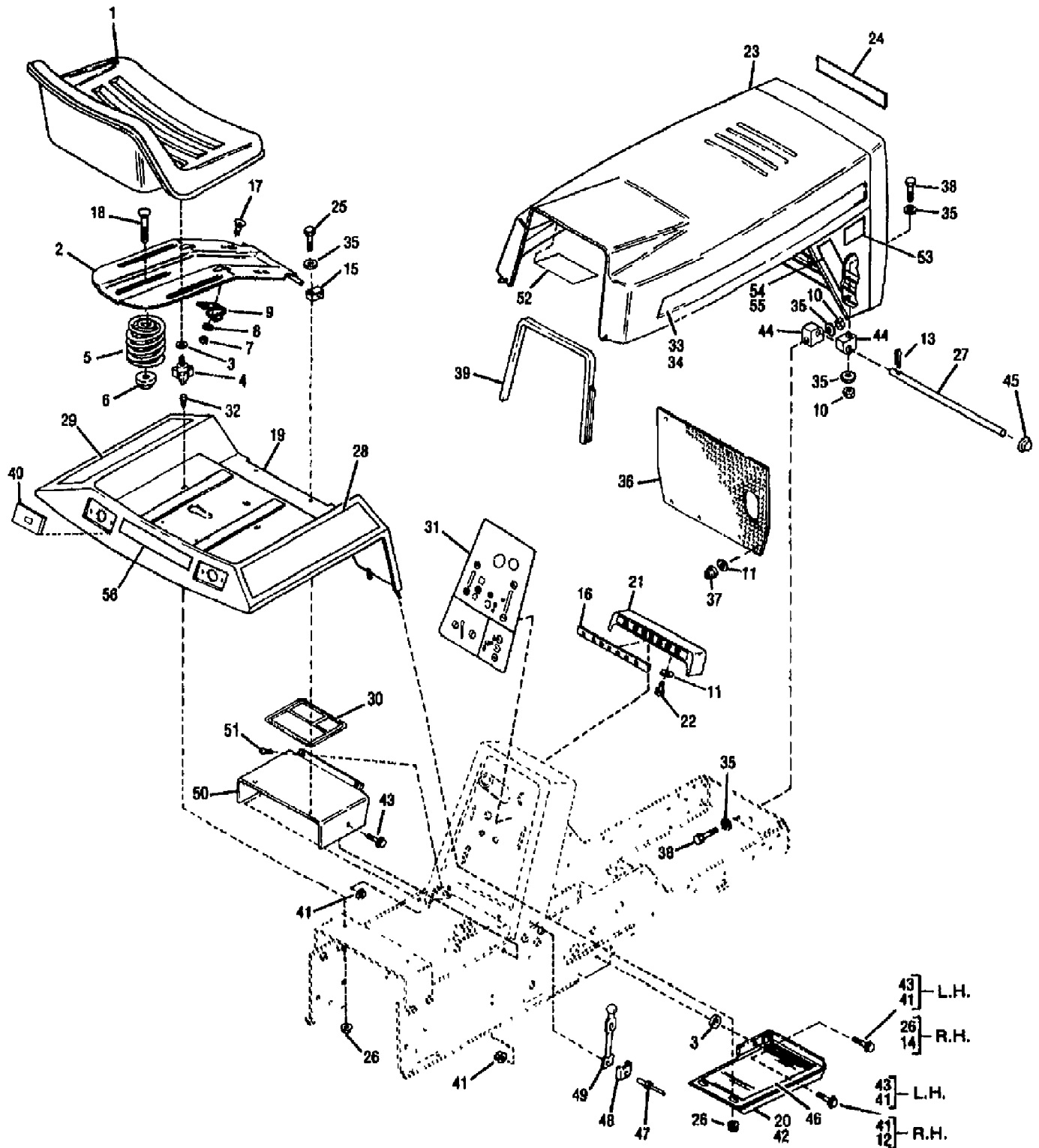


1668R 1600H (S/N B050100101-B050199999)
BODYWORK & TRIM ASSEMBLY



1668R 1600H (S/N B050100101-B050199999)
BODYWORK & TRIM ASSEMBLY

Page 2 of 21

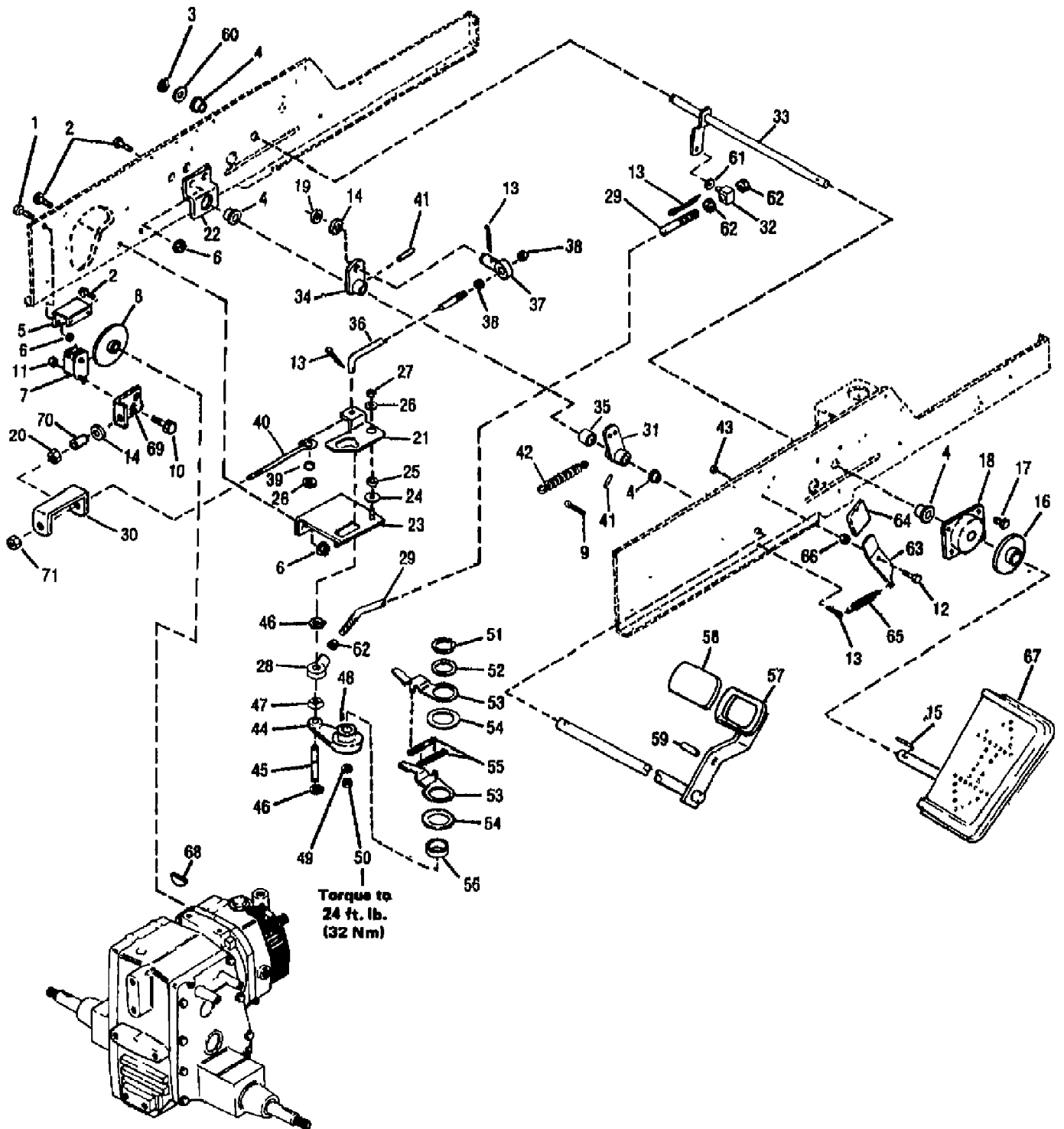
Ref #	Part Number	Qty	S/P/F	Description
1	1756846	0		SEAT
2	1734115010	0		SUPPORT-SEAT
3	1100256	0	S/F	WASHER-.986X.437X.083 ZP
4	1734269	0		KNOB
5	1753022	0		SPRING
6	1735125	0		NUT & WASHER
7	1186229	0	S/F	NUT-HEX 1/4-20 ZP
8	1100241	0	S/F	WASHER-LK .25 ZP
9	1734515	0		BRACKET-ACTUATOR
10	1110107	0	S/F	NUT-H/LK 5/16-18
11	1185418	0	/P/F	WASHER-.219 ZP
12	1100046	0	S/F	SCR-HH 3/8-16X1.0 G5 ZP
13	1100362	0	F	PIN-COTTER .093X.50 ZP
14	1734214	0		SCR-5/16-18X1.00
15	1735265	0	/P	BLOCK-SWIVEL
16	1748081	0		LENSE
17	1186067	0	F	BOLT-CARR 1/4-20X1/2
18	1186130	0	F	BOLT-CARR .375-16X1.25
19	1748574010	0		ASSM-FENDER
20	1736566010	0		FOOTREST-RH
21	1748080	0		HSG-LIGHT CLUSTER
22	1748572	0		SCR-SELF THD 10-16X1/2
23	1749566041	0		HOOD AND GRILLE
24	1757223	0		DECAL-GRILLE
25	1186332	0		SCR-HFLK 5/16-18X1.25 ZP
26	1186391	0	S	NUT-HFLK 5/16-18 ZP
27	1736341	0		ROD-PIVOT
28	1757243	0		DECAL-FENDER RH
29	1757242	0		DECAL-FENDER LH
30	1750290	0		DECAL-INSTR
31	1756722	0		DECAL-INSTRUCTION
32	1186329	0	S	SCR-HFLK 5/16-18X.75 ZP
33	1757240	0		DECAL-HOOD LH
34	1757241	0		DECAL-HOOD RH
35	1107382	0	/P/F	WASHER-FLAT 5/16 SAE
36	1742100041	0		SCREEN-GRILLE
37	1736399	0		NUT-HFLK
38	1100799	0	S/F	SCR-HH 5/16-18X1.5 G5 ZP
39	1726932	0		TRIM
40	1753901	0	S	REFLECTOR
41	1186393	0	/P	NUT-HFLK 3/8-16 ZP
42	1736565010	0		FOOTREST-LH
43	1186345	0	/P	SCR
44	1736340	0	/P	PIVOT
45	1728072	0	/P	NUT-PUSH
46	1757224	0		PAD-FOOT REST
47	1728772	0		RIVET-POP 3/16X1/2
48	1727126	0	/P	CLIP
49	1727127	0		LATCH-RUBBER
50	1744524010	0		TUNNEL ASSY.
51	1739688	0		SCR-THRD FRM 5/16-18X5/8
52	1757206	0		DECAL-SVC INST
53	1757220	0		DECAL-HYDRO

1668R 1600H (S/N B050100101-B050199999)
BODYWORK & TRIM ASSEMBLY

Page 3 of 21

Ref #	Part Number	Qty	S/P/F	Description
54	1757221	0		DECAL-SIDE PANEL RH
55	1757222	0		DECAL-SIDE PANEL LH
56	1757219	0		DECAL-LOGO
	1757461	0	F	PAINT-WHITE 12OZ SPRY CAN
	1754423	0	F	PAINT-RED SPRAYCAN POWDER

1668R 1600H (S/N B050100101-B050199999)
BRAKE & HYDRO CONTROL ASSEMBLY



1668R 1600H (S/N B050100101-B050199999)
BRAKE & HYDRO CONTROL ASSEMBLY

Page 5 of 21

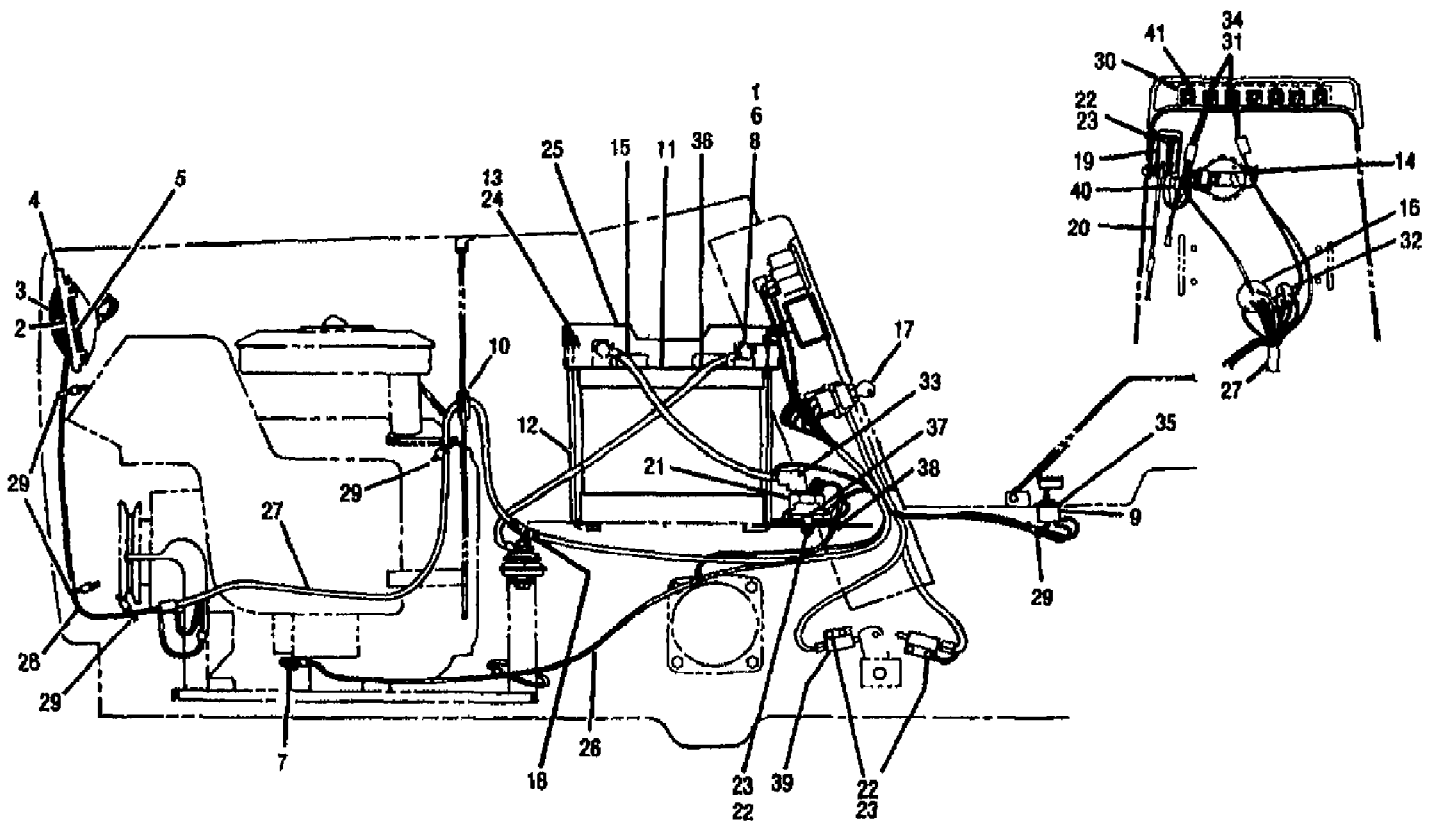
Ref #	Part Number	Qty	S/P/F	Description
1	1186347	0	S/F	SCR-HFLK 3/8-16X1.00 ZP
2	1186345	0	/P/F	SCR
3	1118808	0	/P	RING-RETAIN .625 ID
4	1185802	0		BEARING-FLANGE
5	1747060	0		BRKT-TRANSAXLE
6	1186393	0	/P/F	NUT-HFLK 3/8-16 ZP
7	1732361	0		KIT-BRAKE
8	1729273	0		BRAKE-DISC
9	1100350	0	S/F	PIN-COTTER .120X1.00 ZP
10	1100805	0	S/F	SCR-HH 1/4-20X.75 G5 ZP
11	1186389	0	/P	NUT-HF/LK 1/4-20 ZP
12	1186348	0	/P	SCR-HFLK 3/8-16X1.25 ZP
13	1100346	0	S/F	PIN-COTTER .09X.75 ZP
14	1107382	0	/P/F	WASHER-FLAT 5/16 SAE
15	1185232	0	S	PIN-ROLL
16	1738447	0		ASSM-CONTROL DISC
17	1738463	0		SCR
18	1738462	0	/P	CLUTCH
19	1705108	0	S	WASHER-.632X.39X.0329
20	1186230	0	S	NUT-HEX 5/16-18 ZP
21	1729213	0		PLATE-NEUTRAL
22	1737019	0		BRKT-BRAKE SHAFT
23	1729445	0		PLATE-NEUTRAL
24	1703052	0		WASHER-1.75X.39X.059
25	1732369	0		SPACER-.625X.4X.2
26	1107383	0	S/F	WASHER-FLAT 3/8 SAE
27	1110108	0	S/F	NUT-H/LK 3/8-16
28	1721612	0	/P	ROD-END
29	1749966	0		ROD-SPEED CONTROL
30	1748372	0		BRAKE-RETURN
31	1748584	0		ASSM-BRAKE ARM
32	1734827	0		SWIVEL
33	1744856	0		ASSM-SHAFT SPEED CONTROL
34	1747508	0		ASSM-ARM
35	1722957	0		SPACER-.875X.685X.25
36	1747513	0		ROD-BRAKE CONTROL
37	1747507	0		SWIVEL
38	1186259	0	F	NUT-HEX/JAM 3/8-16
39	1747497	0		SPACER
40	1747495	0		ROD-BRAKE
41	1732147	0	S	PIN-DRIVE .187X1.0
42	1720612	0		SPRING-EXTENSION
43	1733398	0	S/F	NUT-LOCK 3/8-16
44	1722151	0		ARM-SPEED CONTROL
45	1734563	0		PIN-CONTROL
46	1118802	0		RING-RET.EXT .437 ID
47	1720699	0		BLOCK
48	1104435	0	S	KEY-WOODRUFF 1/8 X 5/8
49	1107385	0	S/F	WASHER-1.06X.531X.1 ZP
50	1110110	0	S/F	NUT-H/LK 1/2-13
51	1185732	0		RING-RET
52	1720529	0	S	WASHER
53	1720523	0		ARM

1668R 1600H (S/N B050100101-B050199999)
BRAKE & HYDRO CONTROL ASSEMBLY

Page 6 of 21

Ref #	Part Number	Qty	S/P/F	Description
54	1720361	0		WASHER-THRUST
55	1720928	0		SPRING
56	1720706	0		BEARING
57	1746136010	0		ASSM-BRAKE PEDAL
58	1725518	0		PAD-PEDAL
59	1120209	0		PIN-ROLL .188X.75
60	1715301	0	/P	WASHER-1.115X.637X.06
61	1705108	0	S	WASHER-.632X.39X.0329
62	1186246	0	/P	NUT-HEX/JAM 7/16-20
63	1726352	0		LOCK-BRAKE
64	1734553	0		GRIP
65	1726640	0		SPRING
66	1186247	0	S/F	NUT-JAM
67	1729147010	0		PEDAL-FOOT
68	1751775	0		KEY-WOODRUFF .25X.75
69	1747496	0		EXT-BRAKE ARM
70	1747494	0		SLEEVE
71	1110107	0	S/F	NUT-H/LK 5/16-18

1668R 1600H (S/N B050100101-B050199999)
ELECTRICAL SYSTEM

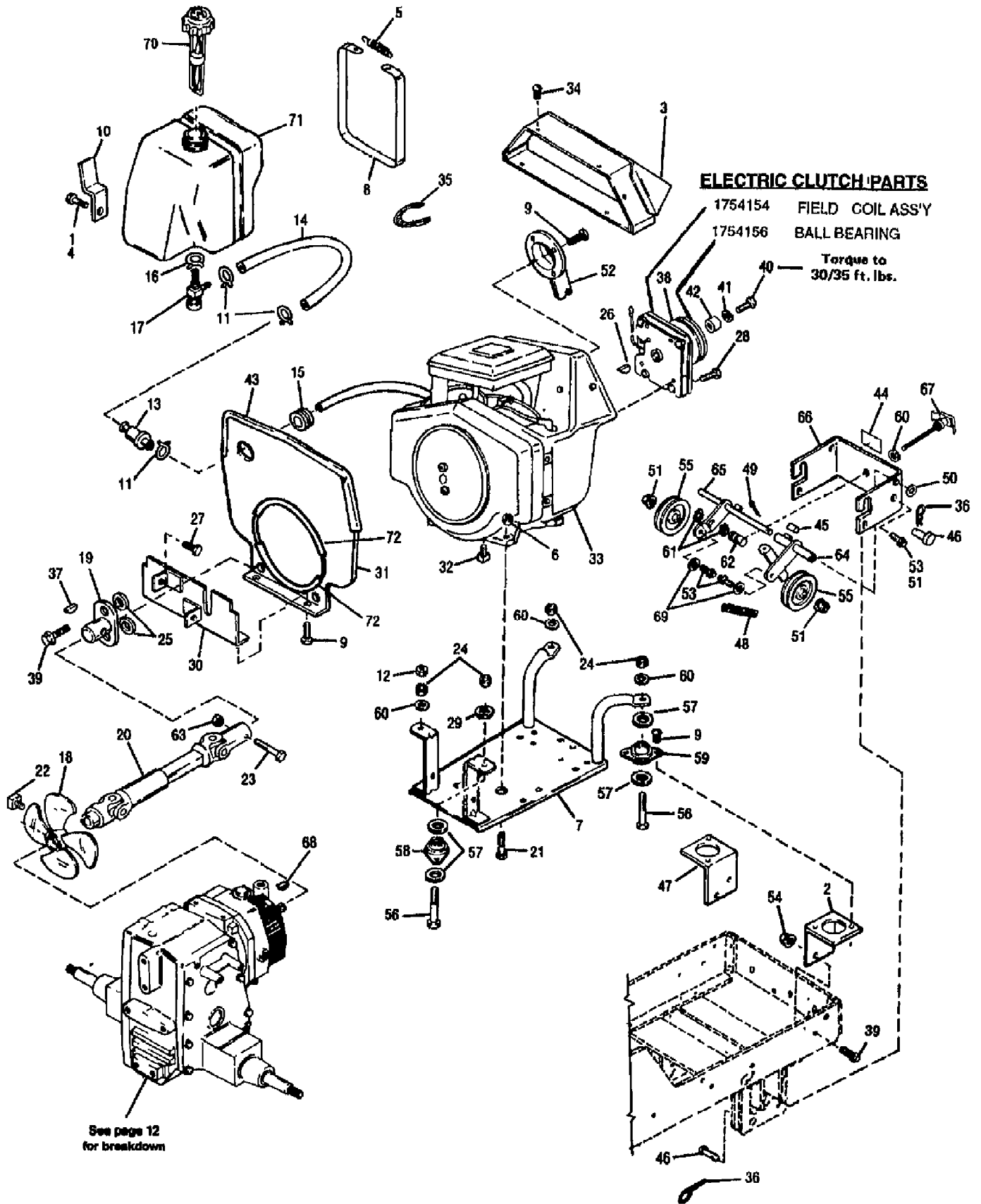


1668R 1600H (S/N B050100101-B050199999)
ELECTRICAL SYSTEM

Page 8 of 21

Ref #	Part Number	Qty	S/P/F	Description
1	1186229	0	S/F	NUT-HEX 1/4-20 ZP
2	1727379	0	/P	RIVET-POP 3/16 X 5/8
3	1726435	0		HEADLAMP
4	1806805	0		PLATE-RETAINER
5	1806808	0		RETAINER
6	1100241	0	S/F	WASHER-LK .25 ZP
7	1186389	0	/P/F	NUT-HF/LK 1/4-20 ZP
8	1111599	0	S/F	SCR-HH 1/4-20X.625 G5 ZP
9	1734366	0	/P	SWITCH
10	1729587	0		BUSHING
11	1752840	0		BATTERY
12	1752586	0		BOLT-HOOK
13	1107381	0	S/F	WASHER-FLAT 1/4 SAE
14	1739205	0		AMMETER 20-0-20
15	1756074	0	/P	CABLE-BATTERY (+)
16	1754183	0	S	SWITCH-IGN
17	1753986	0	/P	KEY-IGNITION
18	1752408	0		TUBING
19	1745666	0		RELAY
20	1749492	0		HARNESS-CRUISE
21	1740056	0	S	SOLENOID
22	1115815	0	S/F	SCR-TRUSS #10-24 X 5/8
23	1185985	0	S/F	NUT W/LKWASHER 10-24 ZP
24	1734398	0	S	NUT-HT LK 1/4-20
25	1755802	0	/P	BATTERY-HOLDDOWN
26	1732581	0		CABLE-STARTER
27	1750846	0		HARNESS-MAIN
28	1727169	0		HARNESS-HEADLIGHT
29	1805345	0	S	TIE-CABLE NYLON BLACK
30	1749487	0		STRIP-SEALING
31	1748085	0		ASSM-LAMP
32	1734356	0	S	SWITCH-PTO
33	1715012	0		NIPPLE-ELECTRICAL
34	1735285	0	/P	BULB (MFG NO. GE 73)
35	1734472	0		SEAL-SWITCH
36	1756377	0		CABLE-BAT (-) TO ENG MNT
37	1742113	0		CONDENSOR
38	1749835	0		GROMMET-FLIP
39	1748723	0	/P	SWITCH
40	1732374	0		SWITCH-CRUISE
41	1186020	0		SCR-PHP M6-32X.38 ZP

1668R 1600H (S/N B050100101-B050199999)
ENGINE & DRIVE ASSEMBLY



1668R 1600H (S/N B050100101-B050199999)
ENGINE & DRIVE ASSEMBLY

Page 10 of 21

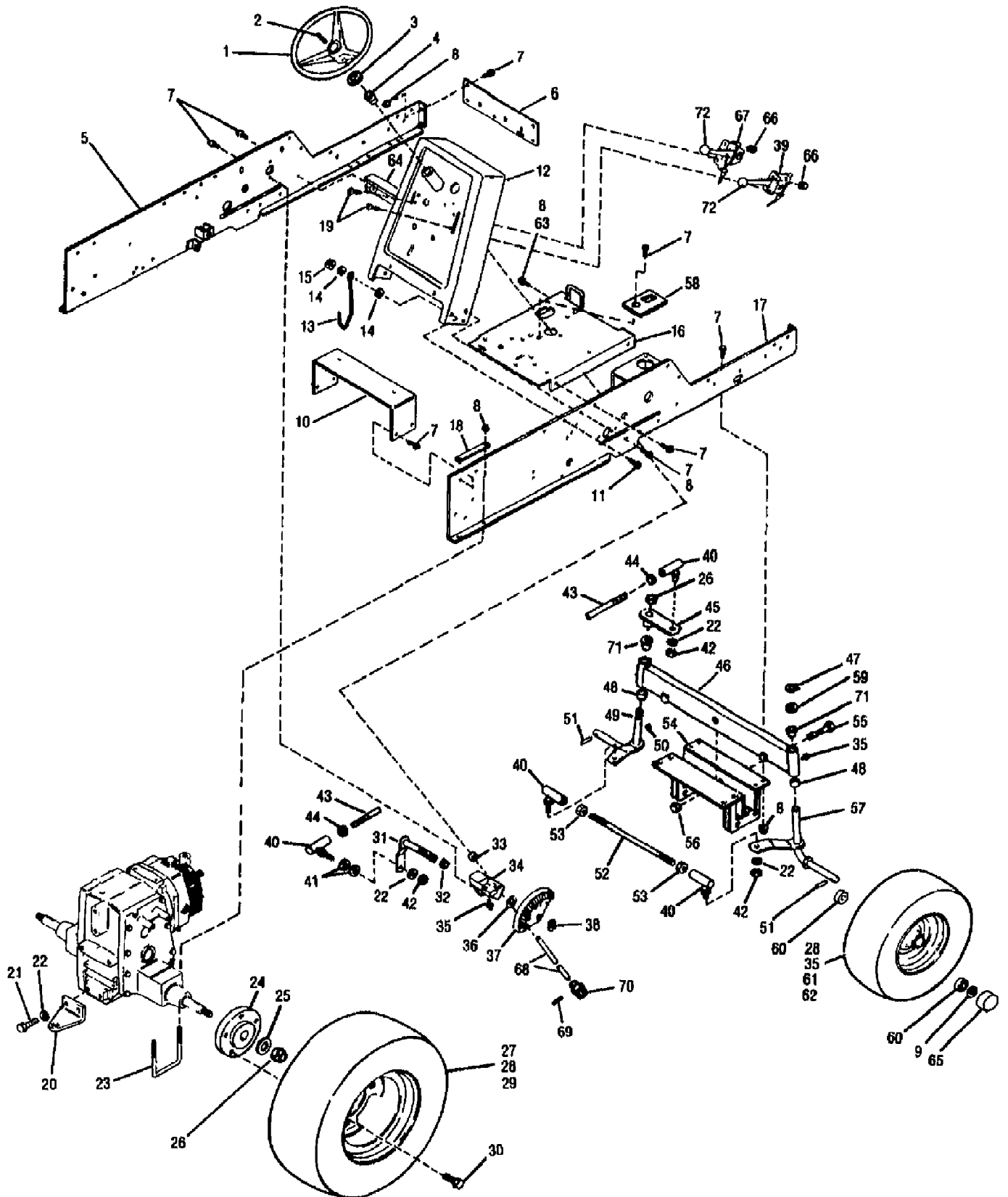
Ref #	Part Number	Qty	S/P/F	Description
1	1186310	0	/P	SCR-HFLK 1/4-20X.75 G5 ZP
2	1741653010	0		SUPT-ENG RH FRONT
3	1741664010	0		DEFL-HEAT SHIELD
4	1186389	0	/P	NUT-HF/LK 1/4-20 ZP
5	1806648	0		SPRING-EXTENSION
6	1186391	0	S	NUT-HFLK 5/16-18 ZP
7	1756470010	0		SUPPORT-ENGINE
8	1727918010	0		STRAP
9	1185712	0	F	SCR
10	1757213	0	F	RETAINER-TANK
11	1718185	0		CLAMP-HOSE
12	1185506	0	S	NUT-HEX/JAM 3/8-16 ZP
13	1727491	0	S	FILTER-FUEL
14	1724708	0	S	LINE-FUEL
15	1729587	0		BUSHING
16	1723474	0		CLAMP-HOSE
17	1718029	0		VALVE-SHUT OFF
18	1746503	0	S	FAN
19	1741654	0		EXTENSION-ENGINE
20	1743862	0		ASSM-DRIVESHAFT
21	1186332	0		SCR-HFLK 5/16-18X1.25 ZP
22	1737419	0		SCR-SQ HD SET 5/16X3/4
23	1100807	0	F	SCR-HH 1/4-20X2.0 G5 ZP
24	1733398	0	S/F	NUT-LOCK 3/8-16
25	1107383	0	S/F	WASHER-FLAT 3/8 SAE
26	1108842	0	S	KEY-.25 SQ X.75
27	1186327	0	/P	SCR-HFLK 5/16-18X.50 ZP
28	1185798	0		SCR-HH 3/8-16X.50
29	1185715	0	/P	WASHER-LK .375 PYRAMIDAL
30	1742344010	0		SHIELD-GRASS
31	1741669010	0		SHIELD-HEAT
32	1105620	0	/P	PLUG-SQ HEAD 1/4-18 NPT
33	0	0	F	ENGINE, 16HP, BRIGGS & STRATTON 402447
34	1724492	0		SCR-FL SELF TAP
35	1735531	0	S	CABLE TIE
36	1723478	0	/P	PIN-HITCH .125X2.56 ZP
37	1100276	0	/P	KEY-WOODRUFF .25X.875
38	1741572	0	S	CLUTCH/BRAKE ELEC
39	1186345	0	/P	SCR
40	1100009	0	S/F	SCR-HH 3/8-24X1.0 G5 ZP
41	1100243	0	S/F	WASHER-LK .375 @ DEPL
42	1734790	0		CLUTCH-RETAINER
43	1740344	0		GASKET-HEAT SHIELD 32"
44	1756843	0		DECAL-BELT ADJUSTMENT
45	1734935	0		CAP-INDICATOR
46	1708125	0	/P	PIN-CLEVIS .5X1.06 ZP
47	1733134010	0		SUPPORT-ENGINE
48	1726661	0		SPRING
49	1100350	0	S/F	PIN-COTTER .120X1.00 ZP
50	1107386	0	S/F	WASHER-1.305X.649X.098 ZP
51	1186393	0	/P	NUT-HFLK 3/8-16 ZP
52	1741964	0		ASSM-EXHAUST

1668R 1600H (S/N B050100101-B050199999)
ENGINE & DRIVE ASSEMBLY

Page 11 of 21

Ref #	Part Number	Qty	S/P/F	Description
53	1186350	0		SCR-HFLK 3/8-16X1.75 G5ZP
54	1186393	0	/P	NUT-HFLK 3/8-16 ZP
55	1726660	0	S	PULLEY-IDLER
56	1100049	0	S/F	SCR-HH 3/8-16X2.25 G5 ZP
57	1186047	0		WASHER
58	1726510	0		MOUNT-REAR
59	1724896	0		MOUNT-FRONT
60	1107383	0	S/F	WASHER-FLAT 3/8 SAE
61	1113527	0	S	RING-RETAIN EXT .707 ID
62	1742723	0		PIVOT
63	1734398	0	S/F	NUT-HT LK 1/4-20
64	1738569010	0		ASSM-IDLER ARM
65	1742725010	0		ASSM-IDLER ARM
66	1736481010	0		SUPPORT-IDLER
67	1735112	0		KNOB-ADJUSTING
68	1185885	0	/P	KEY-WOODRUFF
69	1100256	0	S/F	WASHER-.986X.437X.083 ZP
70	1748758	0	S	CAP-GAS
71	1749484	0		TANK-FUEL
72	1755364	0		SEAL-HEAT SHIELD
	1754154	0		ASSM-FIELD COIL
	1754156	0	/P	BEARING-CLUTCH LOWER

1668R 1600H (S/N B050100101-B050199999)
FRAME, STEERING & AXLE ASSEMBLY



1668R 1600H (S/N B050100101-B050199999)
FRAME, STEERING & AXLE ASSEMBLY

Page 13 of 21

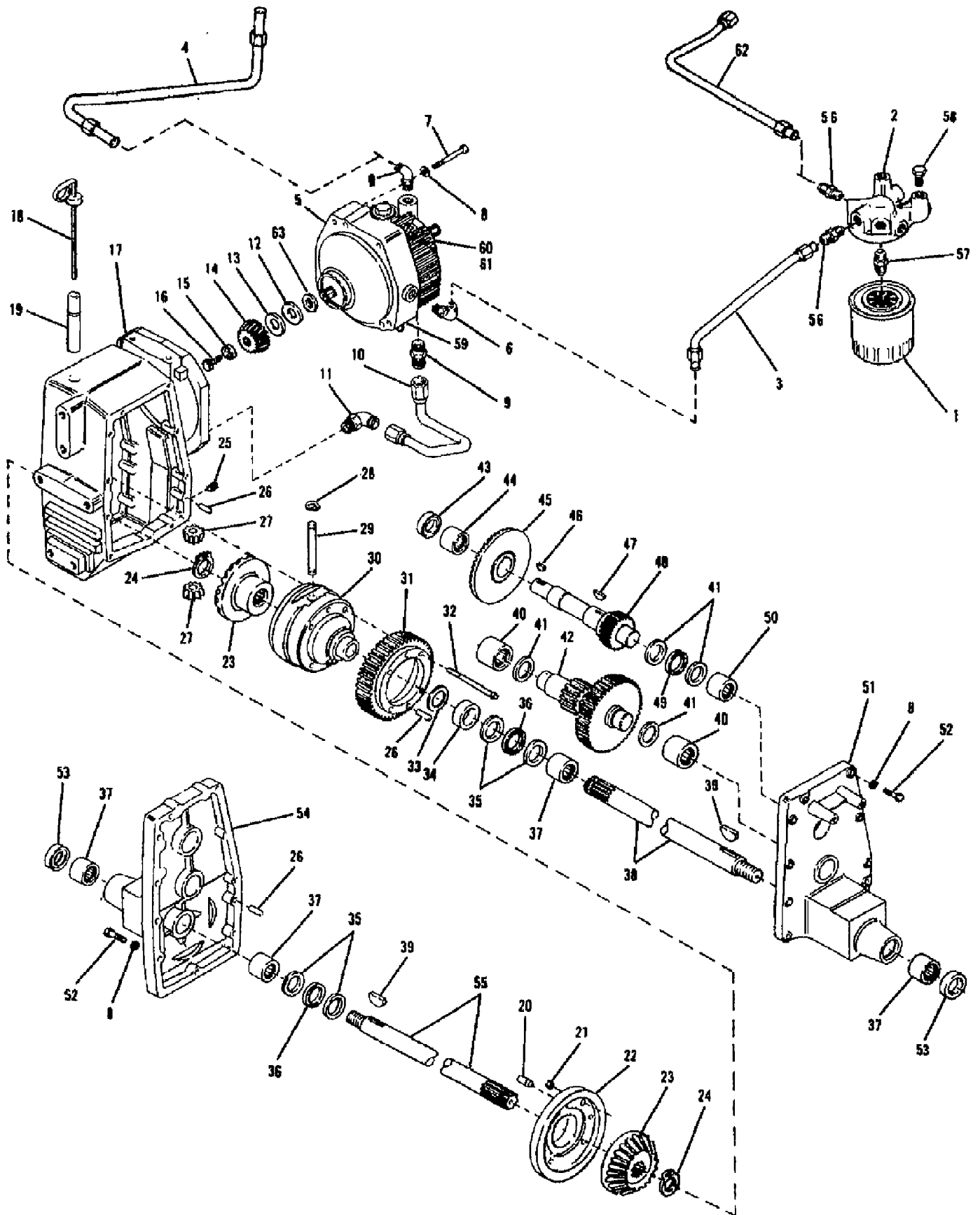
Ref #	Part Number	Qty	S/P/F	Description
1	1747804	0		WHEEL-STEERING
2	1185279	0	/P	PIN-ROLL .25X2.25
3	1708012	0	S	WASHER-1.5X.755X.062
4	1723994	0	/P	BEARING-STEERING
5	1748778010	0		ASSM-FRAME LH
6	1742085010	0		BRACE
7	1186345	0	/P	SCR
8	1186393	0	/P/F	NUT-HFLK 3/8-16 ZP
9	0121898	0		WASHER-THRUST
10	1734555010	0		SUPPORT-SEAT
11	1186347	0	S	SCR-HFLK 3/8-16X1.00 ZP
12	1748704010	0		ASSM-INST PANEL
13	1731956	0	/P	GUIDE-CABLE
14	1100256	0	S/F	WASHER-.986X.437X.083 ZP
15	1110108	0	S/F	NUT-H/LK 3/8-16
16	1756443010	0		ASSM-SUPT BATTERY&GAS TANK
17	1748826010	0		ASSM-FRAME RH
18	1730692010	0		DOUBLER-REAR
19	1115815	0	S/F	SCR-TRUSS #10-24 X 5/8
20	1724698010	0		BAR-DRAW
21	1100055	0	S/F	SCR-HH 1/2-13X1.25 G5 ZP
22	1100245	0	S/F	WASHER-LK .5
23	1727898	0		BOLT-U
24	1726679	0		HUB-WHEEL
25	1708599	0		SPACER-1.812X.765X.179
26	1120390	0	F	NUT-H/LK 3/4-10
27	1757212	0		ASSM-WHEEL
28	1718086	0	S	STEM-VALVE
29	1756845	0		TIRE-23X8.50-12
30	0101085	0	/P	BOLT-HUB
31	1749895	0		ASSM-STEERING A
32	1733707	0	/P	SPACER-.938X.767X.562
33	1185846	0	/P	BUSHING-FLANGE
34	1740753	0		BRKT-STEERING SUPT
35	1185976	0	S	FITTING-GREASE 1/4-28X2.00
36	1733442	0		WASHER-SHIM
37	1733441	0		GEAR-STEERING
38	1185649	0	/P	RING-RETAINING EXT .694 ID
39	1736464	0	/P	CONTROL-THROTTLE
40	1713361	0	S	JOINT-BALL
41	1738490	0	/P	SPACER
42	1110152	0	S/F	NUT-H/LK 1/2-20 ZP
43	1726496	0		ROD-STEERING
44	1186247	0	S/F	NUT-JAM
45	1731689010	0		ARM-STEERING
46	1743946010	0		ASSM-FRONT AXLE
47	1113527	0	S	RING-RETAIN EXT .707 ID
48	1185319	0	/P	BEARING-BRONZE
49	1736206010	0		ASSM-SPINDLE LH
50	1110547	0	F	KEY-WOODRUFF 3/16X1-1/8
51	1186460	0		PIN-ROLL .312X1.25
52	1726495010	0		ROD-TIE
53	1186247	0	S/F	NUT-JAM

1668R 1600H (S/N B050100101-B050199999)
FRAME, STEERING & AXLE ASSEMBLY

Page 14 of 21

Ref #	Part Number	Qty	S/P/F	Description
54	1738561010	0		ASSM-AXLE SUPT
55	1732078	0	F	SCR-HH 5/8-11 G8 ZP
56	1110112	0	S/F	NUT-LOCK
57	1739738010	0		ASSM-SPINDLE RH WHEEL
58	1746622010	0		COVER
59	1708550	0	/P	WASHER-THRUST
60	1185616	0	S	BEARING-BALL W/SEAL
61	1757211	0		ASSM-WHEEL
62	1756840	0		TIRE-16 X 6.50-8
63	1185615	0	S	BEARING-BALL W/SEAL
64	1735572	0		ASSM-FRAME SUPT
65	1744444	0	/P	CAP-WHEEL
66	1185985	0	S	NUT W/LKWASHER 10-24 ZP
67	1732620	0		CHOKE-CONTROL
68	1738414	0	S	SHAFT-STEERING
69	1738413	0		PIN-ROLL .25X.937 ZP
70	1736159	0		GEAR-BEVEL PINION
71	1185035	0		BEARING-FLANGE
72	1737118	0	S	KNOB

1668R 1600H (S/N B050100101-B050199999)
HYDRO & TRANSAXLE ASSEMBLY



1668R 1600H (S/N B050100101-B050199999)
HYDRO & TRANSAXLE ASSEMBLY

Page 16 of 21

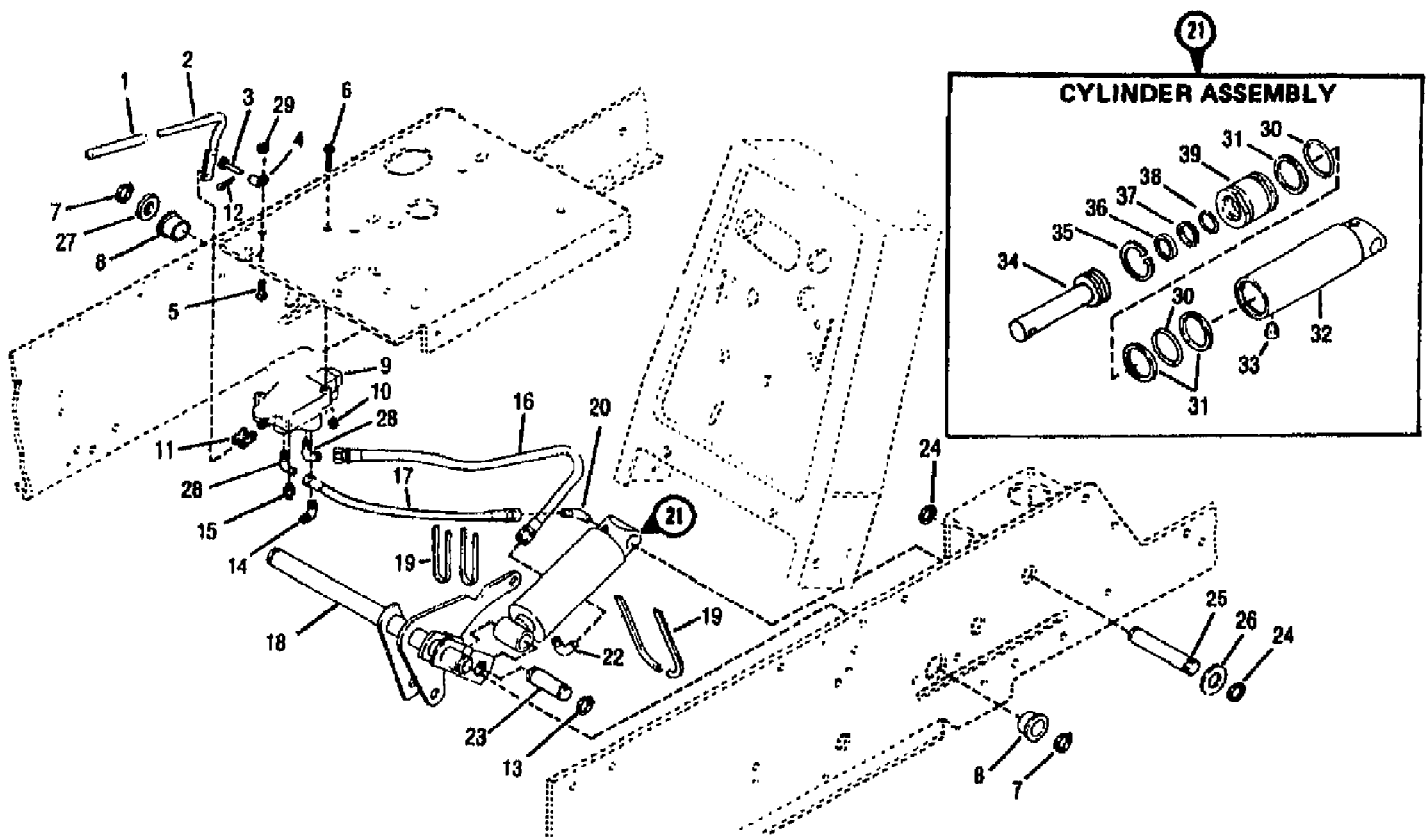
Ref #	Part Number	Qty	S/P/F	Description
1	1726450	0	/P	FILTER-OIL
2	1734345	0		FILTER-MANIFOLD
3	1734354	0		ASSM-TUBE RETURN
4	1751198	0		ASSM-TUBE PUMP TO VALVE
5	1743861	0		TRANSMISSION-HYDRO
6	1185737	0	S	ELBOW
7	1100770	0		SCR-HH 3/8-16X2.75 G5 ZP
8	1100243	0	S	WASHER-LK .375 @ DEPL
9	1186464	0		CONNECTOR
10	1729264	0		TUBE
11	1724390	0		ELBOW
12	1730374	0		WASHER-SHIM
13	1730375	0		WASHER-SHIM
14	1729531	0		PINION-BEVEL
15	1729559	0		SPACER-1.0X.25X.25
16	1741832	0	S	SCR-HH 1/4-20X.625 G5 ZP
17	1747086	0		HOUSING-TRANSAXLE
18	1724092	0		DIPSTICK
19	1724090	0		TUBE
20	1733103	0	/P	PIN-.312X.75
21	1186459	0	/P	NUT-HEX/LK 5/16-18 G5ZP
22	1728645	0		COVER-DIFFERENTIAL
23	1752094	0		GEAR-23T
24	1185689	0		RING-HEAVY EXT HD 1.0 ID
25	1185930	0		PLUG-PIPE
26	1110189	0	/P	PIN-DOWEL .375X1.00 ZP
27	1752095	0		PINION-10T
28	1185668	0		RING-HEAVY EXT .625 ID
29	1756741	0		PINION-SHAFT
30	1729972	0		CARRIER-DIFFERENTIAL
31	1729260	0		GEAR-AXLE 47T
32	1733684	0	/P	SCR-HFLK 5/16-18X4.00 ZP
33	1800338	0	S	SHIM-1.875X1.013X.015
34	1729497	0		SPACER-1.5X1.01X.45
35	1185730	0	/P	RACE-THRUST
36	1185729	0	/P	BEARING-THRUST
37	1727637	0		BEARING-NEEDLE
38	1747062	0		AXLE-RH
39	1100281	0		KEY-WOODRUFF .312X1.12
40	1186010	0		BEARING-NEEDLE
41	1186002	0		RACE-THRUST
42	1729258	0		ASSM-GEAR CLUSTER
43	1185882	0		SEAL-OIL
44	1187731	0		BEARING-NEEDLE
45	1724079	0		GEAR
46	1100276	0	/P	KEY-WOODRUFF .25X.875
47	1100279	0		KEY-WOODRUFF .25X1
48	1757777	0		SHAFT ASSY., PINION
49	1185764	0		BEARING-THRUST
50	1185774	0	/P	BEARING-NEEDLE
51	1747074	0		COVER-TRANSAXLE RH
52	1100047	0	S	SCR-HH 3/8-16X1.5 G5 ZP
53	1185295	0	S	SEAL-OIL

1668R 1600H (S/N B050100101-B050199999)
HYDRO & TRANSAXLE ASSEMBLY

Page 17 of 21

Ref #	Part Number	Qty	S/P/F	Description
54	1747064	0		COVER-TRANSAXLE LH
55	1747061	0		AXLE-LH
56	1721989	0		CONNECTOR
57	1721921	0		COUPLING
58	1186345	0	/P	SCR
59	1724370	0		SEAL-CONTROL SHAFT
60	1724376	0	S	SEAL-OIL
61	1724377	0	S	SHIELD-GRASS
62	1749654	0		ASSM-TUBE FILTER TO VALVE
63	1705093	0	S	WASHER-1.0X.64X.029
	1728407	0		SEALNT

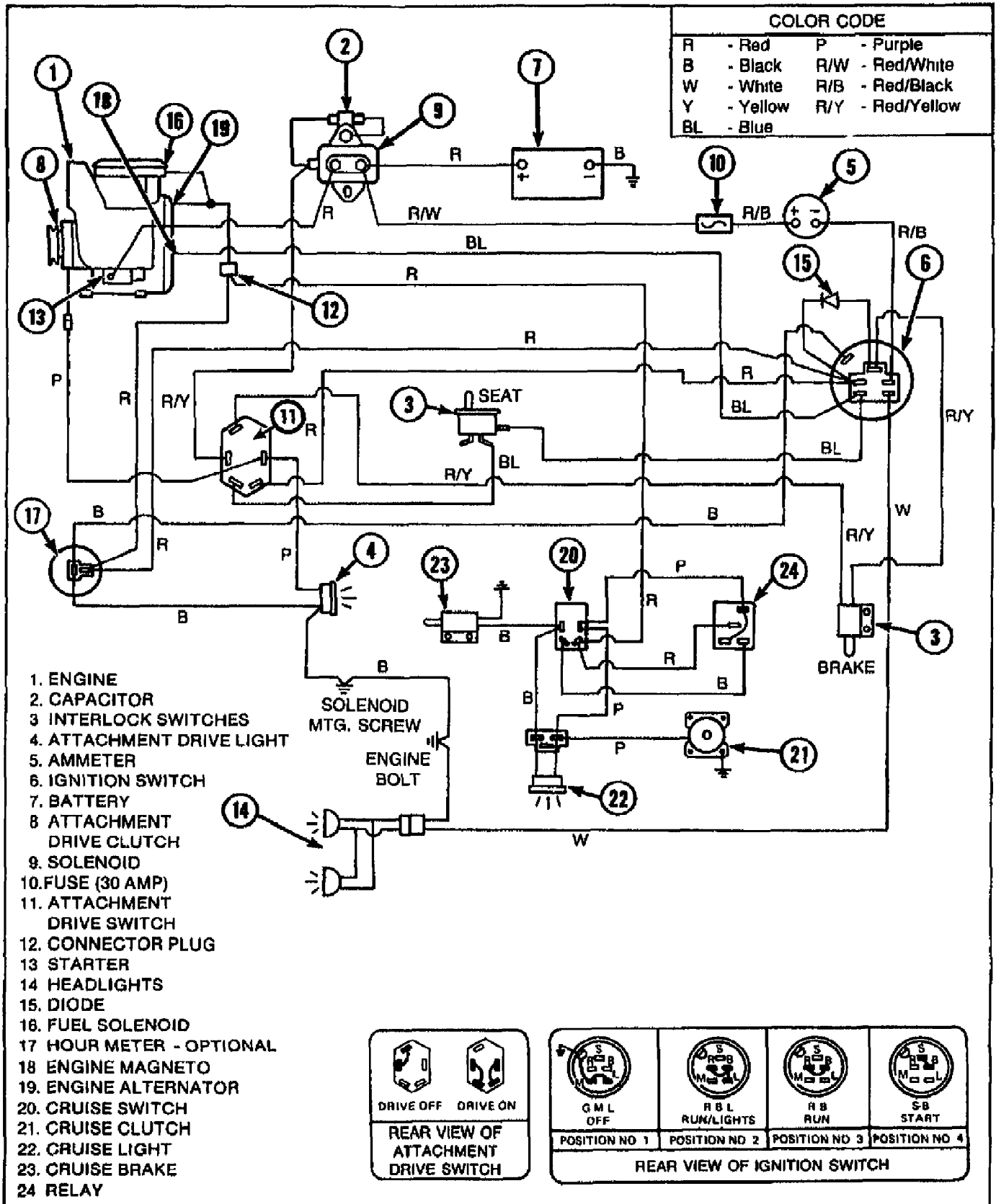
1668R 1600H (S/N B050100101-B050199999)
LIFT ASSEMBLY



1668R 1600H (S/N B050100101-B050199999)
LIFT ASSEMBLY

Page 19 of 21

Ref #	Part Number	Qty	S/P/F	Description
1	1734624	0		GRIP
2	1749014	0		LEVER-LIFT
3	1749653	0		PIN-CLEVIS .25X1.5
4	1732471	0	/P	CLAMP
5	1115815	0	S/F	SCR-TRUSS #10-24 X 5/8
6	1186313	0		SCR-HFLK 1/4-20X1.25 G5ZP
7	1118554	0	S	RING-RETAINING
8	1185728	0	/P	BUSHING-FLANGE
9	1751199	0		VALVE
	1751209	0		KIT-SEAL REPAIR
10	1186389	0	/P	NUT-HF/LK 1/4-20 ZP
11	1185018	0		LEVER-LINK
12	1185850	0	F	PIN-COTTER .078X.75 ZP
13	1118808	0	/P	RING-RETAIN .625 ID
14	1185737	0	S	ELBOW
15	1717563	0		CONNECTOR
16	1733692	0		ASSM-HOSE
17	1719179	0		ASSM-HOSE CYLINDER
18	1751197010	0		ASSM-SHAFT LIFT
19	1735531	0	S	TIE-CABLE NYLON BLACK
20	1185903	0		ELBOW
21	1747509010	0	S	ASSM-CYL HYDRAULIC
22	1185739	0		ELBOW
23	1747512	0		PIN
24	1113527	0	S	RING-RETAIN EXT .707 ID
25	1724703	0		PIN
26	1708012	0	S	WASHER-1.5X.755X.062
27	1185816	0	/P	WASHER-SPEC
28	1185902	0		ELBOW-45 DEGREES
29	1185985	0	S	NUT W/LKWASHER 10-24 ZP
30	1186017	0		RING-O 1.6 ID
31	1186018	0		RING-BACK/UP
32	1729388	0	S	ASSM-CYL HYDRAULIC
33	1105620	0	/P	PLUG-SQ HEAD 1/4-18 NPT
34	1747043	0		ASSM-ROD HYDR CYLINDER
35	1118735	0	S	RING-RETAIN INT 2.210 DIA
36	1185266	0	S	SEAL-OIL
37	1186019	0		RING-BACK/UP
38	1177395	0		RING-O .984 ID
39	1724511	0		HEAD-CYLINDER



1668R 1600H (S/N B050100101-B050199999)
WIRING DIAGRAM

Ref #	Part Number	Qty	S/P/F	Description
	0	0		ILLUSTRATION ONLY