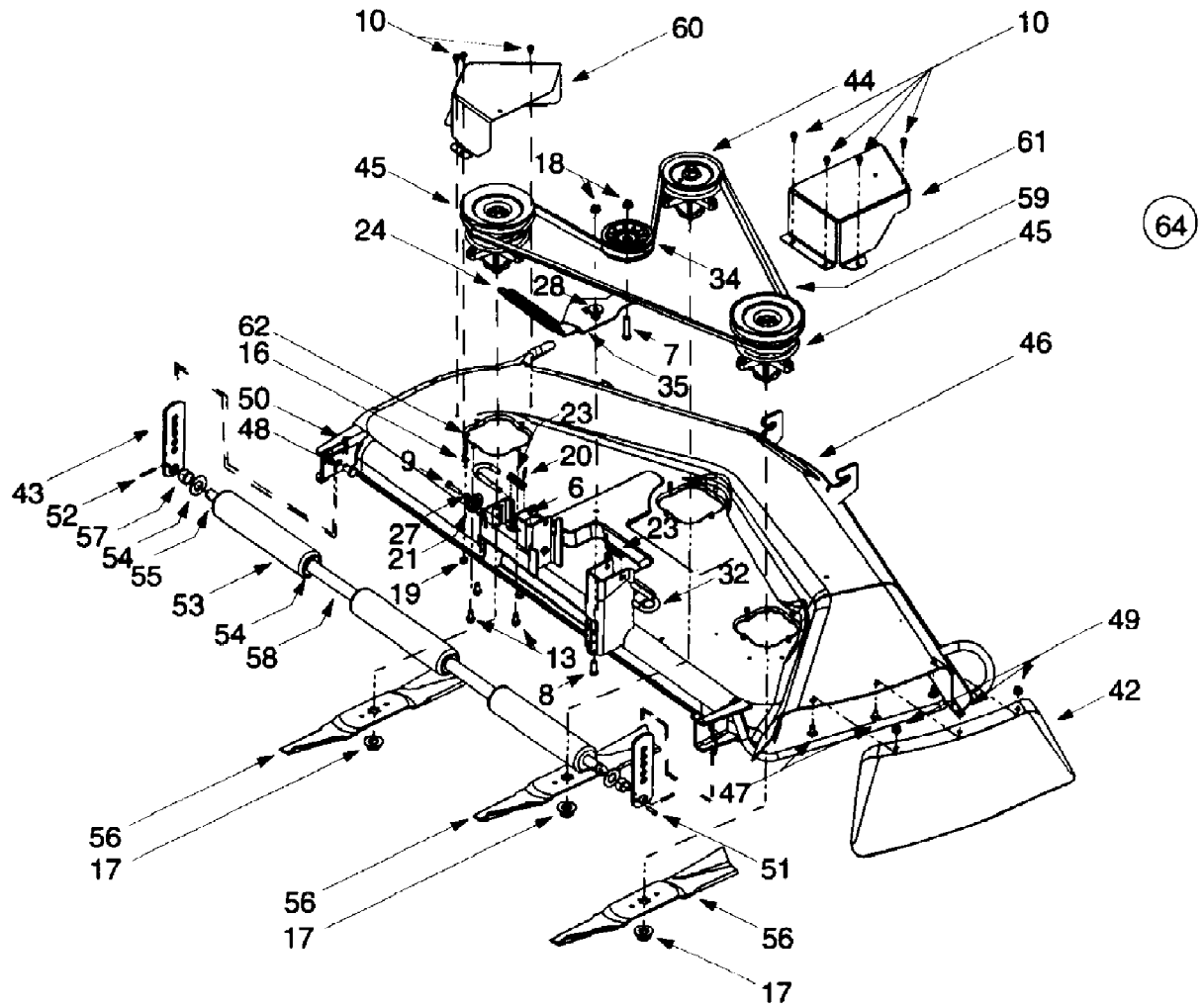


14AY809P063 (2000)
50-Inch Deck Assembly "P"

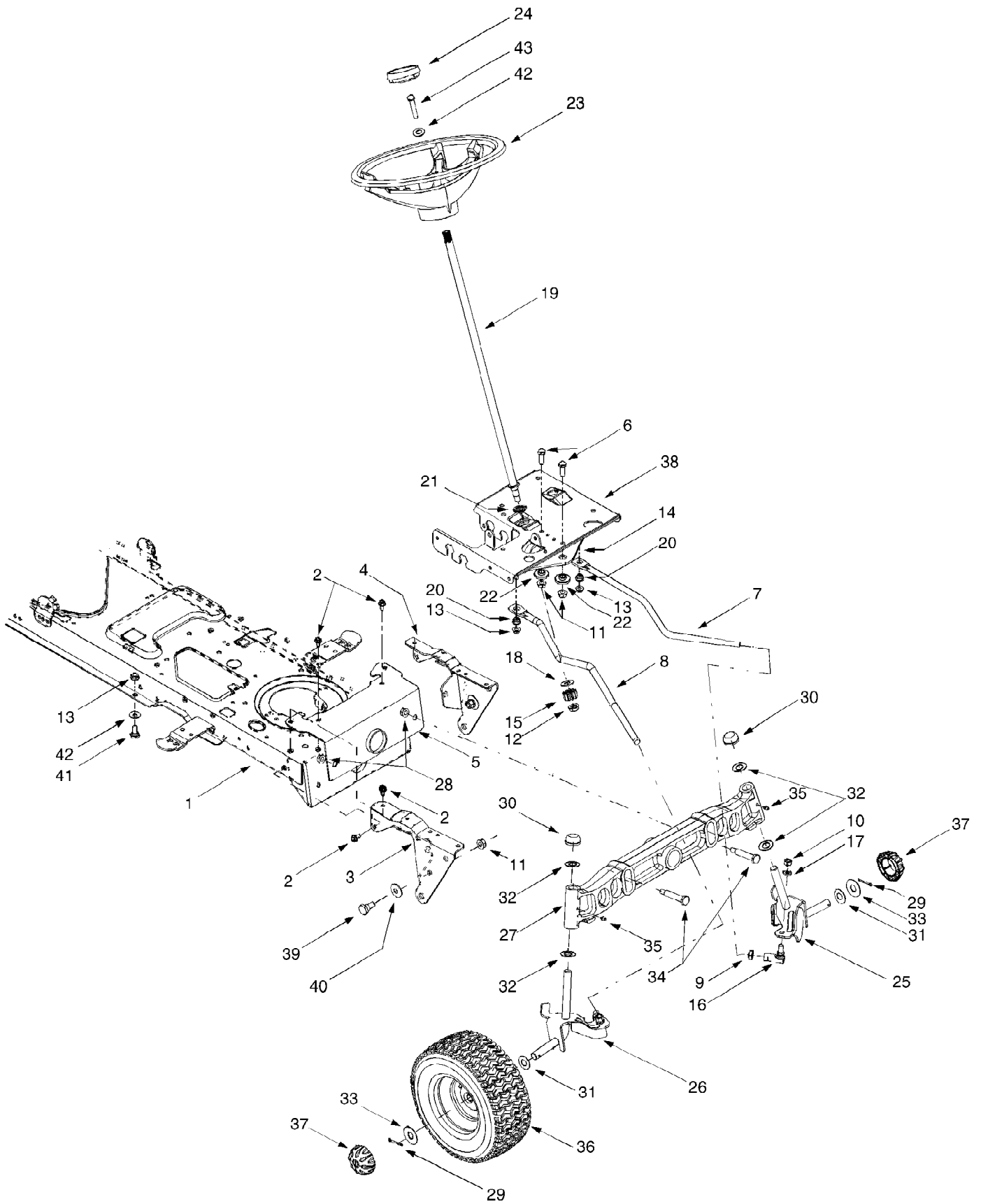


14AY809P063 (2000)
50-Inch Deck Assembly "P"

Page 2 of 23

Ref #	Part Number	Qty	S/P/F	Description
6	710-0167	1	/P	Carriage Screw, 1/4-20 x .5
7	710-0347	1	/P	Hex Cap Screw, 3/8-16 x 1.75
8	710-0514	1	/P	Hex Cap Screw, 3/8-16 x 1.0
9	710-0528	1	/P	Hex Cap Screw, 5/16-18 x 1.25
10	710-0599	1	/P	Self Tapping Screw, 1/4-20 x .5
13	710-1260A	1	/P	Self Tapping Screw, 5/16-18 x .75
16	712-0291	1	S	Center Lock Nut, 1/4-20
17	712-0417A	1	/P	Hex Flange Nut, 5/8-18
18	712-0431	1	S	Flange Lock Nut, 3/8-16
19	712-3027	1	S	Hex Flange Lock Nut, 1/4-20
20	714-0104	1	S	Internal Cotter Pin, .072 x 1.12
21	717-1553A	1	S	Deck Adjustment Gear
23	732-0306	1	S	Compression Spring, .406 x .531 x 1.75
24	732-0594A	1	S	Extension Spring, .91 x 7.33
27	736-0119	1	S	Lock Washer, 5/16
28	738-0347	1	S	Shoulder Spacer, .625 x .169
32	747-1116	1	/P	Deck Release Pin
34	756-0627	1	S	Flat Idler Pulley, 3.5 OD
35	783-0139	1	S	Idler Bracket
42	12649	1		Chute Guard
43	12650	1		Height Adjustment Bracket
44	618-0268	1	S	Center Spindle Assembly, 5 Dia.
45	618-0269	1	S	Double Pulley Spindle Assembly
46	683-0196	1	S	50-inch Deck Shell
47	710-0260	1	S	Carriage Bolt, 5/16-18 x .62
48	711-0332	1	S	Clevis Pin, .50 Dia. x .78
49	712-3004A	1	/P	Hex Flange Lock Nut, 5/16-18 (Grade 5)
50	714-0145	1	S	Click Pin, .092 x 1.64
51	715-0108	1	/P	Spring Pin, 1/4 Dia. x 1
52	715-0246	1	S	Spring Pin, 3/16 x 1.25
53	731-0335	1		Deck Roller
54	736-0316	1	S	Flat Washer, .78 x 1.59 x .06
55	738-0295	1		Deck Roller Shaft, .75 Dia. x 47.12
56	742-0623	1	S	Blade, Star Center, 17.3
57	750-0212	1	S	Spacer, .752 x 1.0 x .53
58	750-0288	1	S	Spacer, .82 x 1.0 x 5.75
59	754-0291A	1	S	Deck Belt
60	783-0746	1		Belt Cover, L.H.
61	783-0793	1		Belt Cover, R.H.
62	710-3288	1		Hex Cap Screw, 1/4-20 x 1.62
64	753-0877	1		50-inch Deck Assembly Complete

14AY809P063 (2000)
Axle, Front, Steering, Frame, Wheels, Front



14AY809P063 (2000)

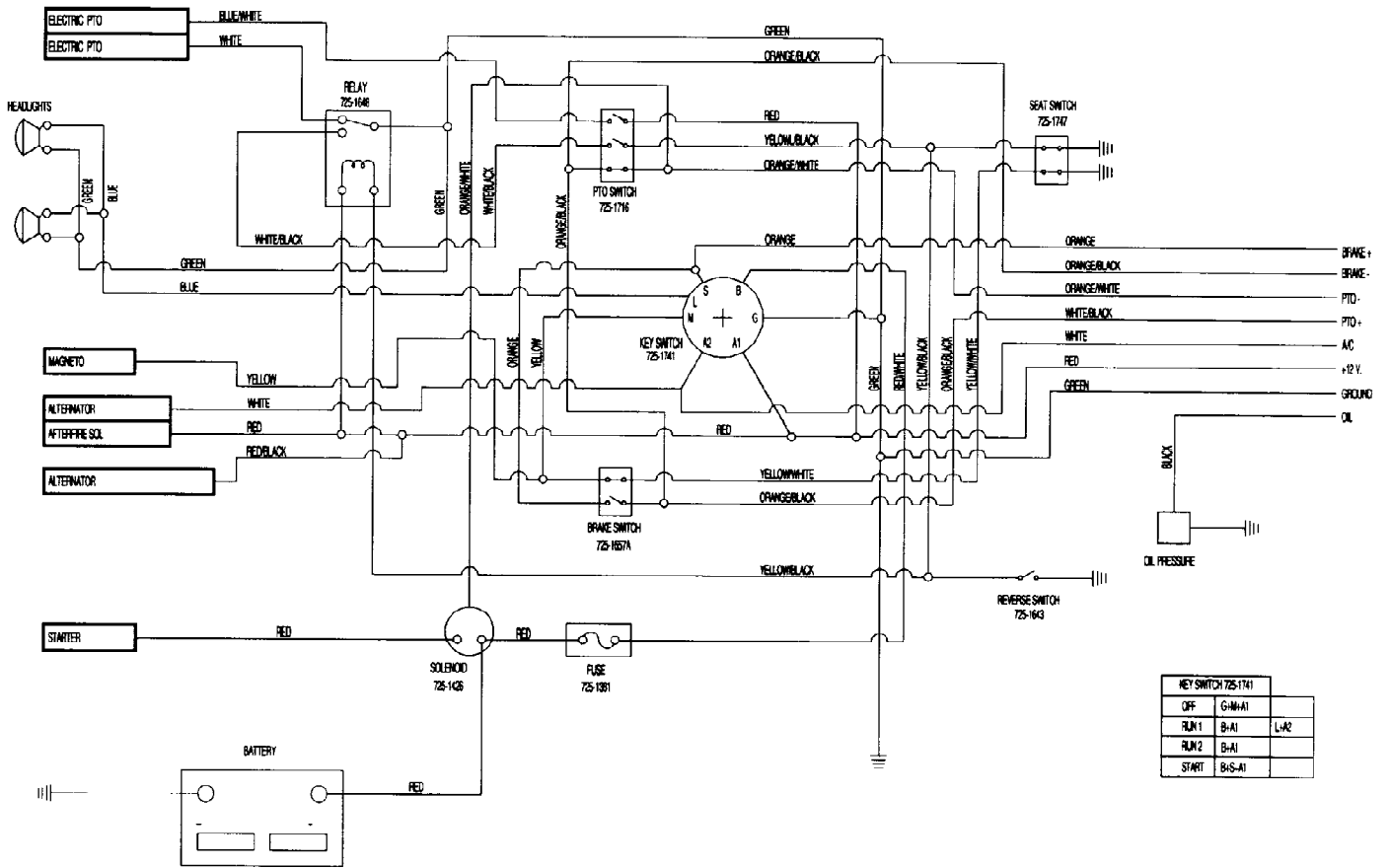
Page 4 of 23

Axle, Front, Steering, Frame, Wheels, Front

Ref #	Part Number	Qty	S/P/F	Description
1	683-0304	1	S	Lower Frame Assembly
2	710-0604A	1	/P	Self-Tapping Screw, 16-18 x .625
3	783-0726A	1	S	RH Pivot Support Bracket
4	783-0727	1	S	LH Pivot Support Bracket
5	783-0728	1		Pivot Bar Bracket
6	710-0514	1	/P	Hex Cap Screw, 3/8-16 x 1 (Grade 5)
7	711-1409	1	S	LH Drag Link
8	711-1408	1		RH Drag Link
9	712-0240	1	S	Jam Nut, 7/16-20 (Grade 2)
10	712-0241	1	/P	Hex Nut, 3/8-24 (Grade 2)
11	712-0431	1	S	Flange Lock Nut, 3/8-16
12	712-0459	1	/P	Flange Lock Nut, 7/16-20
13	712-3004A	1	/P	Flange Lock Nut, 5/16-18
14	717-1550A	1	S	Steering Gear, 11/90 Ratio
15	717-1554	1		Steering Pinion Gear
16	723-0448A	1	S	Ball Joint, 7/16-20
17	736-0169	1	S	Lock Washer, 3/8
18	736-3084	1	/P	Flat Washer, .51 x 1.12 x .06
19	738-1001A	1	/P	Steering Shaft, .625 OD x 24.4
20	741-0475	1	S	Plastic Bushing, .38 ID
21	741-0656	1	S	Hex Flange Bearing, 5/8
22	738-0372	1	S	Shoulder Spacer, .38 ID
23	631-0027	1	S	Steering Wheel
24	731-0220	1	S	Steering Wheel Cap
25	638-0017	1	S	LH Axle Assembly, .750 Diameter
26	638-0018	1	S	RH Axle Assembly, .750 Diameter
27	719-0525B	1	S	Cast Iron Pivot Bar
28	712-0431	1	S	Flange Lock Nut, 3/8-16
29	714-0470	1	S	Cotter Pin
30	726-0341	1	/P	Push Cap, .750
31	736-0316	1	S	Flat Washer, .78 x 1.59 x .06
32	736-0316	1	S	Flat Washer, .78 x 1.59 x .06
33	736-0316	1	S	Flat Washer, .78 x 1.59 x .06
34	738-1011	1	S	Shoulder Screw, .5 x 2.2, 3/8-16
35	737-3000	1	S	Lube Fitting, 3/16
36	634-0183	1		Wheel Assembly, 16 x 6.5 x 8
	634-0182	1	S	Rim Only
	734-0255	1	S	Air Valve (Not Shown)
	734-1727	1	/P	Tire Only, Square Shoulder
37	731-2290	1	S	Hub Cap
38	783-0653A	1	S	Steering Support Bracket
39	738-0143	1	/P	Shoulder Screw, 3/8-16
40	736-0331	1	/P	Bell Washer, .39 x 1.13 x .062
41	738-0140	1	S	Shoulder Screw, .435 x .178, 5/16 x .56
42	736-0242	1	/P	Bell Washer, .34 x .872
43	710-0643	1	/P	Hex Bolt, 5/16-18 X 1

14AY809P063 (2000)
Electrical

RELAY 725-1716	
C81	GREEN
C82	YELLOW/BLACK
C83	RED
C84	WHITE/BLACK
C85	WHITE

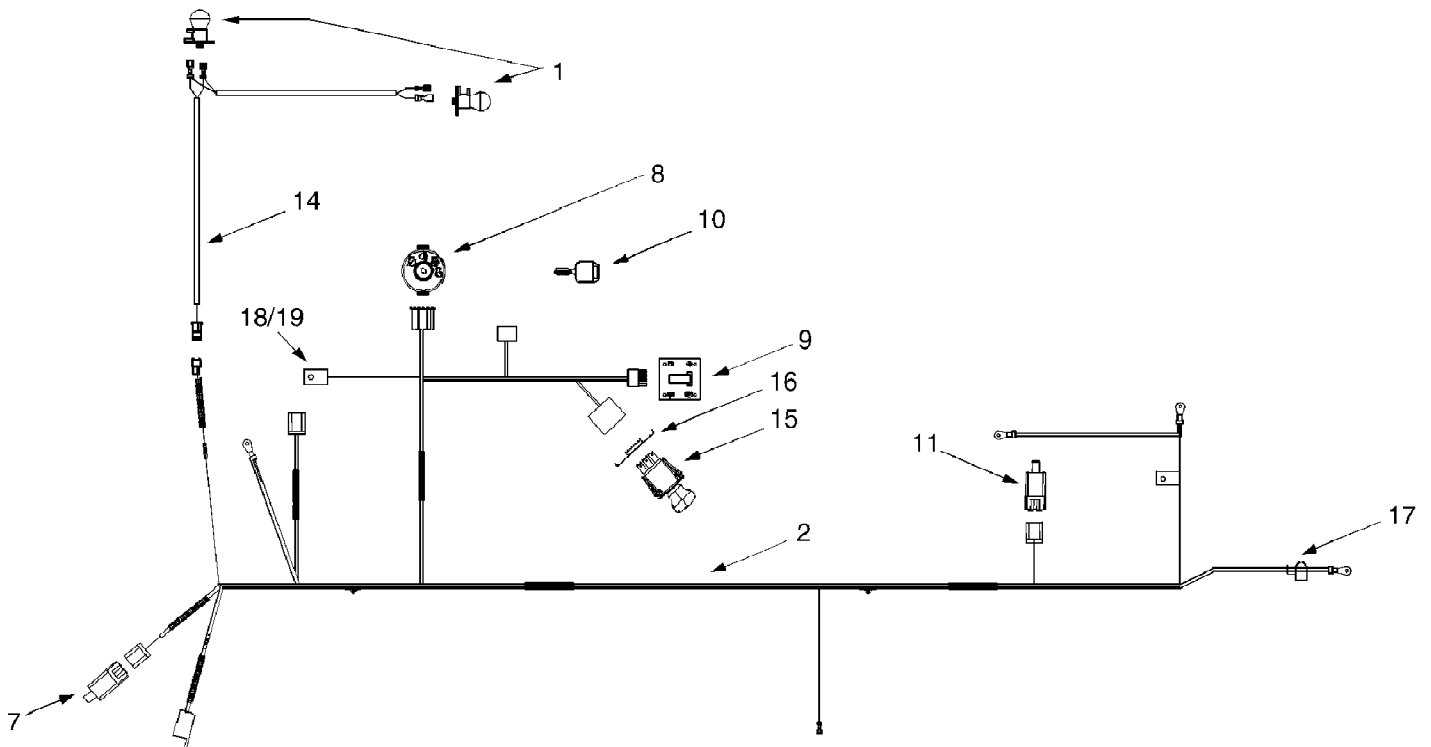


KEY SWITCH 725-1741		
OFF	G-WH-A1	
RUN 1	B-A1	L-H2
RUN 2	B-A1	
START	B-S-A1	

14AY809P063 (2000)
Electrical

Page 6 of 23

Ref #	Part Number	Qty	S/P/F	Description
7251648	725-1648	1	S	Relay
7251426	725-1426	1	S	Solenoid
7251716	725-1716	1	S	PTO Switch
7251741	725-1741	1	S	Key Switch
7251657A	725-1657A	1	S	Brake Switch
7251381	725-1381	1	S	Fuse
7251747	725-1747	1	S	Seat Switch
7251643	725-1643	1		Reverse Switch

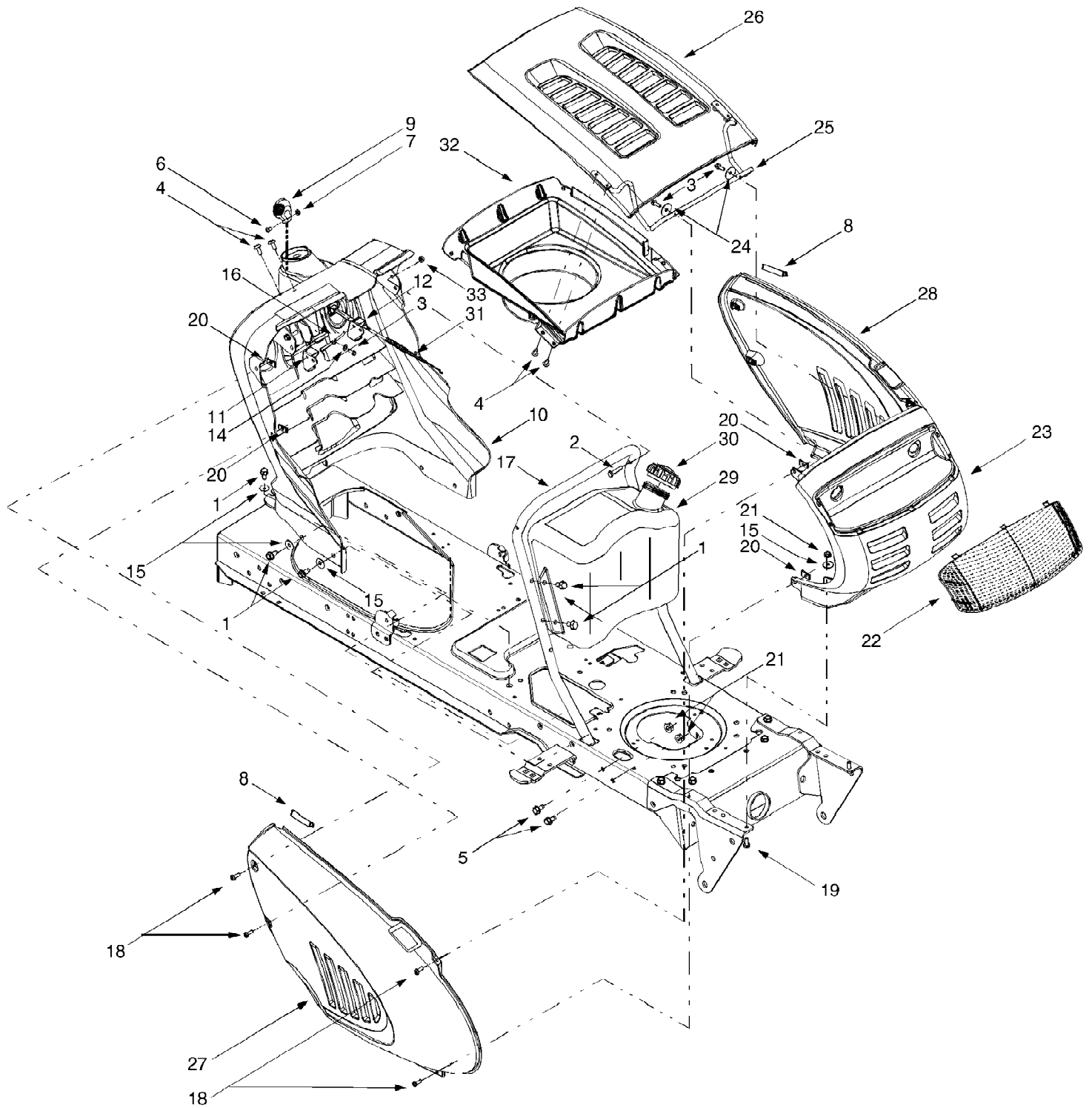


14AY809P063 (2000)
Electrical Wiring Kohler Twin

Page 8 of 23

Ref #	Part Number	Qty	S/P/F	Description
1	625-0051	1	S	Bulb/Socket Headlight Assembly
2	629-0941	1		Wiring Harness w/o Ref. 14 (units w/Kohler Twin)
7	725-1657A	1	S	Snap Mount Safety Interlock Switch (Brake)
8	725-1741	1	S	Ignition Switch
9	725-1743	1	S	Indicator Monitor / Hour Meter
10	725-1745	1	S	Ignition Key
11	725-1747	1	S	Safety Plunger Switch (Seat)
?12	736-0222	1	S	External Lock Washer, 1/4
14	629-0309	1	S	Headlight Harness
15	725-1752	1	S	Electric PTO Switch
16	783-0462	1	/P	Retainer Bracket
17	725-3007A	1	/P	Positive Terminal Cover (Boot)
18	729-0357	1		Fuse Holder
19	725-1381	1	S	20-amp Fuse

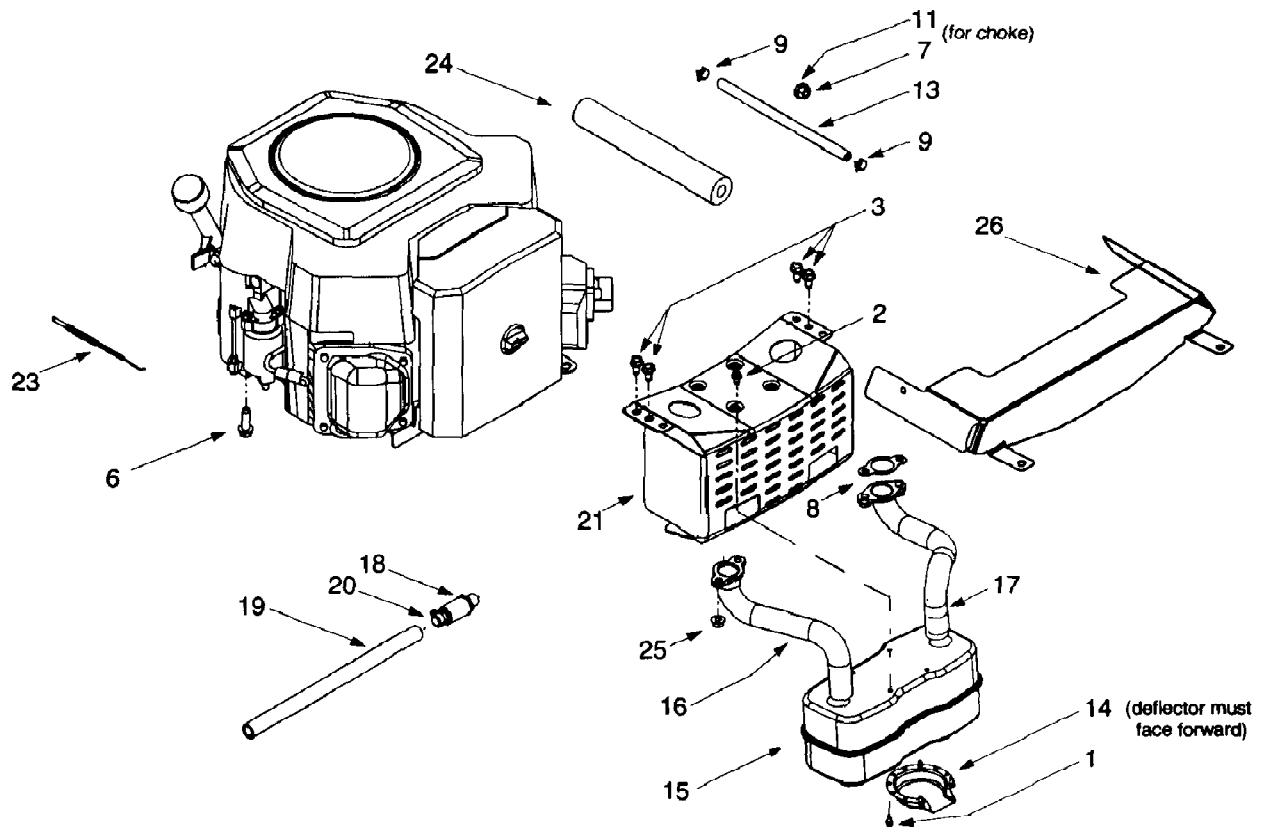
14AY809P063 (2000)
Hood Style 9



14AY809P063 (2000)
Hood Style 9

Page 10 of 23

Ref #	Part Number	Qty	S/P/F	Description
1	710-0604A	1	/P	Self-tapping Screw, 5/16-18 x .625
2	710-0788	1	/P	Self-tapping Screw, 1/4-20 x 1.0
3	710-0895	1		Self-tapping Screw, 1/4-15 x .75
4	710-1017	1	/P	Torx Self-tapping Screw, 5/16-18 x .625
5	710-1238	1	/P	Screw, 5/16-18 x .875
6	710-3217	1	/P	Torx Screw, #8-32 x .375
7	712-0142	1	/P	Hex Nut, 8-32
8	731-0511-5	1		Five-Inch Trim Strip
9	731-1857	1		Throttle Control Lever
10	731-2225	1	S	Dash Panel
11	731-2226	1		Cruise Control Button
12	731-2227	1		Parking Brake Button
?13	736-0119	1	S	Lock Washer, 5/16
14	736-0142	1	S	Flat Washer, .281 x .5 x .063
15	736-3078	1	/P	Flat Washer, .349 x 1.0 x .063
16	747-1196	1		Pivot Rod
17	749-1087	1	S	Dash Support Tube
18	710-0924	1	/P	Pan Phillips Screw, 1/4-20 x .75
19	710-3008	1	/P	Hex Cap Screw, 5/16-18 x .75
20	712-0292	1	/P	U-type Speed Nut, 1/4-20
21	712-3004A	1	/P	Flange Lock Nut, 5/16-18
22	731-2118	1	S	Lens, 9-style
23	731-2119	1	S	Grille, 9-style
24	736-0211	1	S	Flat Washer, .285 x 1.25 x .08
25	747-1162	1		Hood Hinge Rod
26	783-0783	1	S	Hood, 9-style
27	783-0784	1		RH Side Pane, 9-style
28	783-0785	1		LH Side Panel, 9-style
29	751-0658A	1		Three-gallon Fuel Tank
30	751-0603	1	S	Fuel Cap
31	746-1085	1	S	Choke Knob/Cable Assembly
32	731-2270	1	S	Hood Plenum (Units w/ B&S Intek Twin)
	731-2271	1	S	Hood Plenum (Units w/ Kohler Twin)
33	712-3027	1	S	Hex Flange Lock Nut, 1/4-20

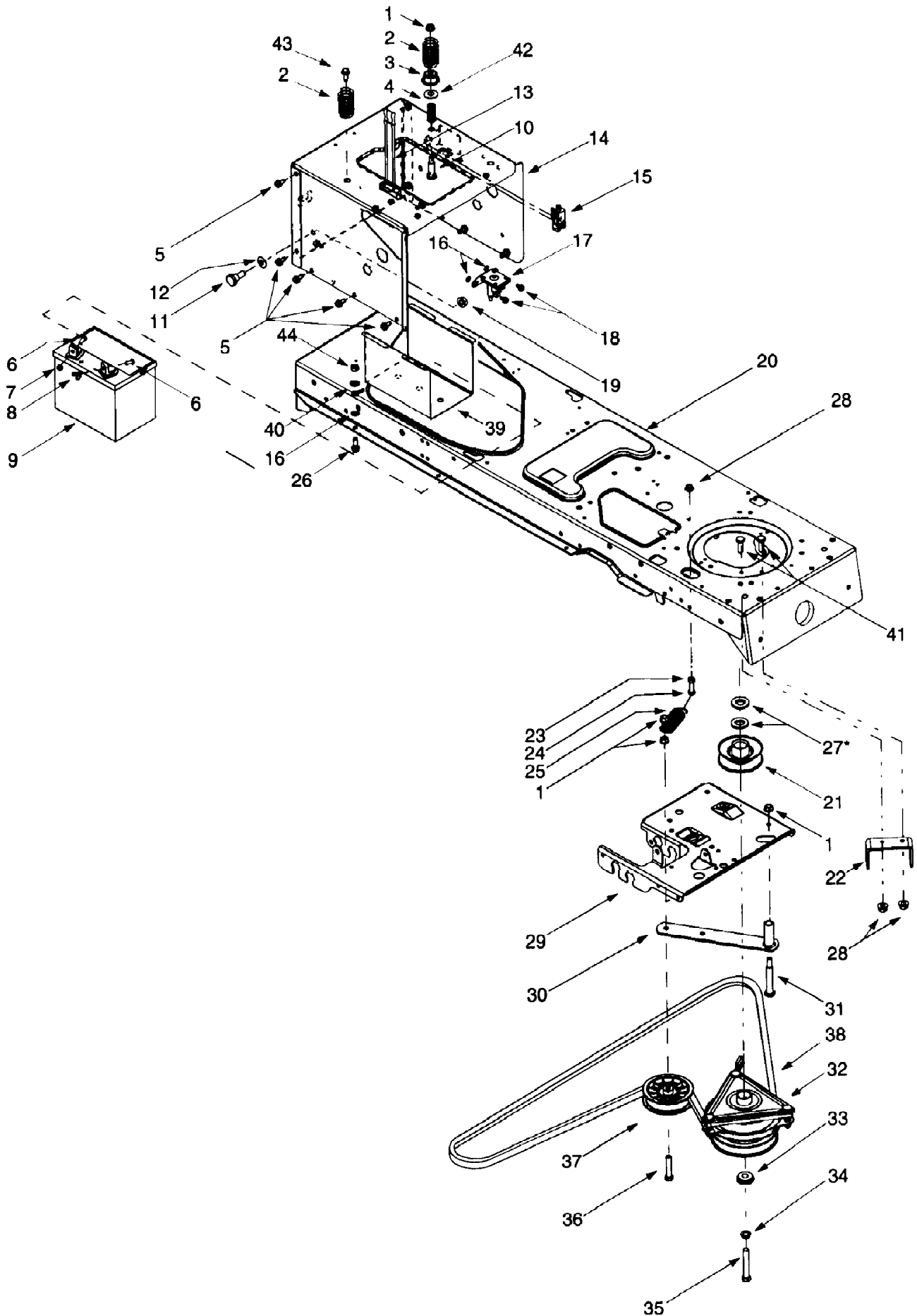


14AY809P063 (2000)

Page 12 of 23

Muffler & Engine Accessories Kohler Twin-Cylinder

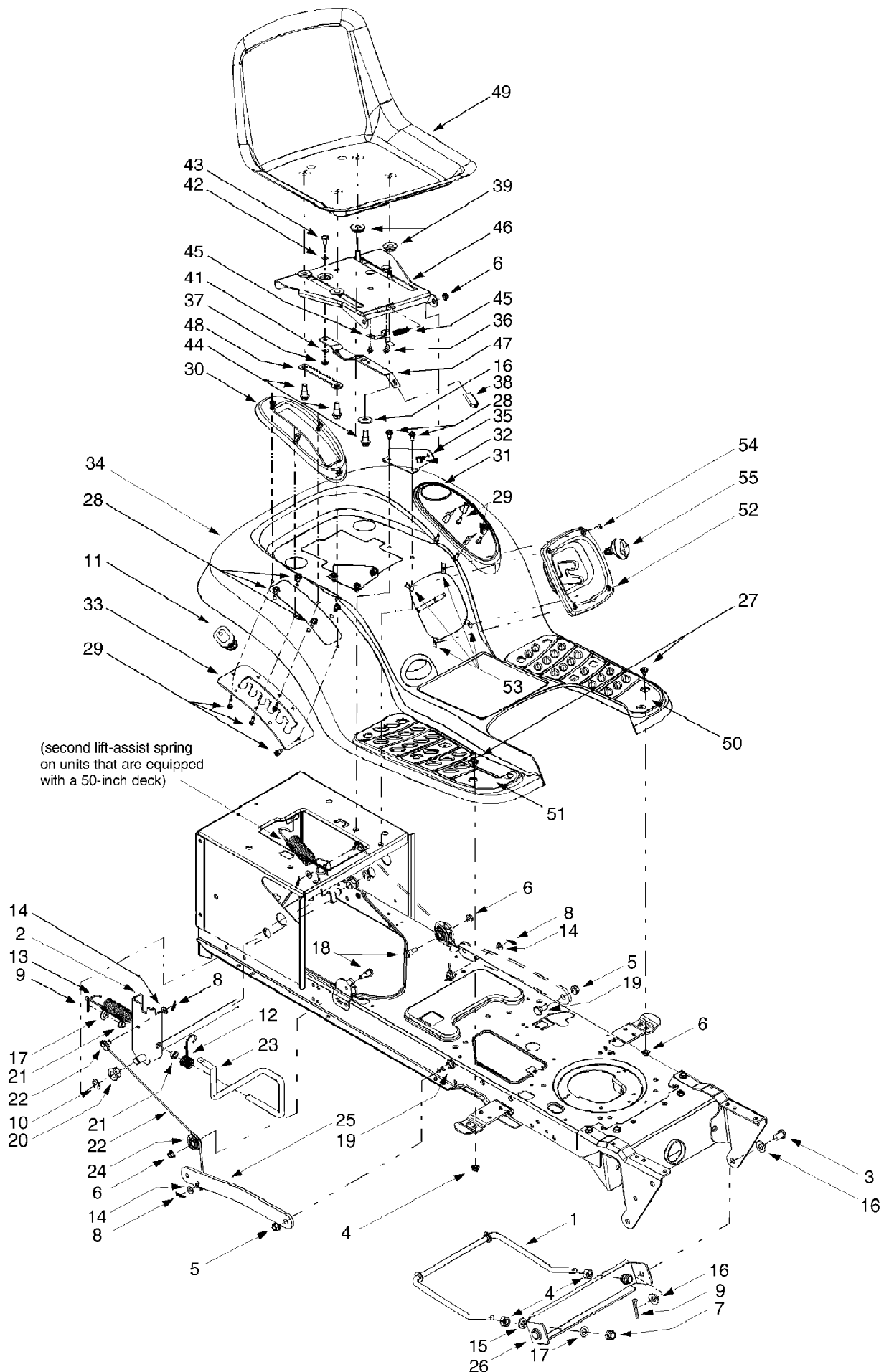
Ref #	Part Number	Qty	S/P/F	Description
1	710-0148	1	/P	Self Tapping Screw, #8-32 x .375
2	710-0599	1	/P	Self Tapping Screw, 1/4-20 x .5
3	710-0604A	1	/P	Self Tapping Screw, 5/16-18 x .625
6	710-1315	1	/P	Self Tapping Screw, 3/8-16 x 1.25
7	712-3017	1	S	Hex Nut, 3/8-16
8	721-0377	1	S	Exhaust Gasket (Kohler Twin)
9	726-0205	1	/P	Hose Clamp
11	736-0300	1	S	Flat Washer, .406 x .875 x .059
13	751-0535	1		Fuel Line Hose
14	751-0564	1	S	Muffler Deflector
15	751-0805	1	S	Muffler (Kohler Twin)
16	751-0645	1	S	RH Exhaust Pipe (Kohler Twin)
17	751-0644A	1	S	LH Exhaust Pipe (Kohler Twin)
18	751-3140	1	S	Oil Drain Valve
19	751-3141-12	1	S	Oil Drain Hose
20	751-3142	1		Oil Drain Cap
21	783-0615	1	S	Muffler Heat Shield
23	746-1086	1	S	Throttle Cable (Intek Twin & Kohler Twin)
24	722-0263	1	S	Foam (Fits over fuel line)
25	712-3086	1	/P	Flange Nut, M8 x 1.25-6
26	783-0881	1		Heat Shield (Kohler Twin); (Mounts to Grille Front)



14AY809P063 (2000)
PTO Drive, Battery, Frame Components

Page 14 of 23

Ref #	Part Number	Qty	S/P/F	Description
1	712-0431	1	S	Flange Lock Nut, 3/8-16
2	732-0735	1	/P	Compression Spring, 1.318 x 2.37
3	783-0733	1		Spacer Cup, 1.5 OD
4	732-0956	1		Compression Spring, .66 OD x 1.5
5	710-0604A	1	/P	Self-tapping Screw, 5/16-18 x .625
6	710-0751	1	/P	Hex Cap Screw, 1/4-20 x .62
7	712-0271	1	/P	Hex Sems Nut, 1/4-20
8	712-3044	1		Wing Nut, 1/4-20
9	725-1706	1	S	12-volt Battery, 270 CCA
10	738-1014	1	/P	Shoulder Screw, .5 x 1.25, 3/8-16
11	738-1020	1		Shoulder Screw, .625 x .5, 7/16-20
12	736-0407	1		Bell Washer, .45 x 1.0 x .062
13	723-0444	1		Battery Strap
14	783-1033	1	S	Hitch Plate
15	725-1747	1	S	Safety Interlock Plunger Switch
16	736-0222	1	S	Lock Washer, 1/4
17	725-1426	1	S	Solenoid, 12-Volt, 100 Amp
18	710-0599	1	/P	Self-tapping Screw, 1/4-20 x .5
19	712-0459	1	/P	Flange Lock Nut, 7/16-20
20	683-0304	1	S	Lower Frame Assembly
21	756-0639A	1	/P	Engine Pulley, 3.56 OD
22	783-1003	1	S	Electric Clutch Anti-rotation bracket
23	712-3010	1	S	Hex Nut, 5/16-18
24	710-3180	1	/P	Hex Cap Screw, 5/16-18 x 1.75 (Grade 5)
25	732-0978	1		Extension Spring, 1.2 OD x 3.638
26	710-0642	1	/P	Self-tapping Screw, 1/4-20 x .750
27	736-0277	1	F	Flat Washer, 1.031 x 1.62 x .095
28	712-3004A	1	/P	Flange Lock Nut, 5/16-18
29	783-0653B	1	S	Steering Support Bracket
30	683-0294	1	S	Idler Bracket Assembly
31	738-3056	1	S	Shoulder Screw, 1/2 Diameter x 2.5
32	717-1709	1	S	Electric PTO Clutch
33	738-0785	1	S	Shoulder Spacer, 1.38 x .445 x .36
34	736-0171	1	S	Lock Washer, 7/16
35	710-3157	1	S	Hex Cap Screw, 7/16-20 x 3.25 (Grade 5)
	710-0561	1	F	Hex Cap Screw, 7/16-20 x 2.5 (Grade 5)
36	710-3011	1	/P	Hex Cap Screw, 3/8-16 x 2.25 (Grade 5)
37	756-0627	1	S	Flat Idler Pulley, 3.5 OD
38	754-0476	1	S	PTO Belt (46-inch Decks)
	754-0475	1	S	PTO Belt (50-inch Decks)
39	783-0349	1		Battery Tray
40	736-0119	1	S	Lock Washer, 5/16
41	710-3025	1	/P	Hex Cap Screw, 5/16-18 x .625
42	736-0105	1	/P	Bell Washer, .401 x .870 x .063
43	710-0650	1	/P	Self-tapping Screw, 5/16-18 x .875
44	712-3006	1	/P	Hex Nut, 1/4-20



14AY809P063 (2000)
Seat, Fender, Frame Components

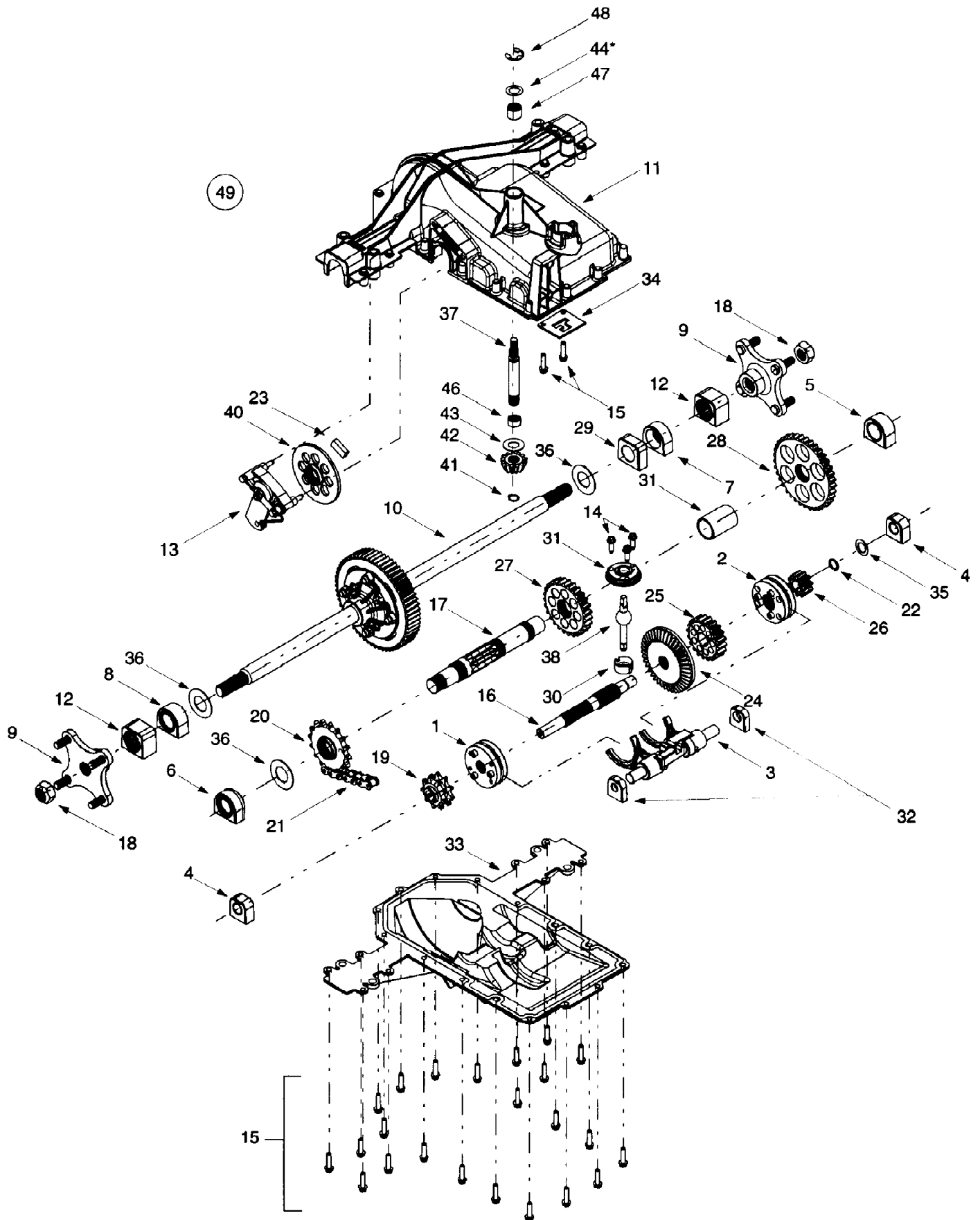
Page 16 of 23

Ref #	Part Number	Qty	S/P/F	Description
1	747-1130	1	S	Deck Stabilizer Rod
2	683-0197	1	S	Lift Shaft Assembly
3	711-0332	1	S	Clevis Pin, .5 x .78
4	712-0206	1	S	Hex Nut, 1/2-13
5	712-0431	1	S	Flange Lock Nut, 3/8-16
6	712-3004A	1	/P	Flange Lock Nut, 5/16-18
7	712-3083	1	/P	Hex Nut, 1/2-13
8	714-0104	1	S	Internal Cotter Pin
9	714-0111	1	S	Cotter Pin
10	716-0106	1	/P	E-ring
11	720-0311	1		Handle Grip
12	732-0874	1	/P	Torsion Spring
13	732-0934	1		Lift-assist Spring, 1.15 x 5.99
14	736-0275	1	S	Flat Washer, 5/16
15	736-0921	1	S	Lock Washer, 1/2
16	736-3019	1		Flat Washer, .31 x 1.062 x .134
17	736-3084	1	/P	Flat Washer, .51 x 1.12 x .06
18	738-0138	1	S	Hex Cap Screw, 5/16-18 x .62
19	738-0380	1	S	Shoulder Screw, .5 x .27, 3/8-16
20	741-0225	1	S	Hex Flange Bearing
21	741-0715	1	S	Snap Flange Bearing
22	746-0968	1		Lift Cable, 16.16
23	747-1111	1	S	Lift Handle
24	756-1154	1		Roller Pulley
25	783-0678	1	S	Arm Lift
26	783-0720A	1	S	Deck Stabilizer Bracket
27	710-0260	1	S	Carriage Bolt, 5/16 x .62
28	710-0604	1	S	Self Tapping Screw, 5/16-18 x .625
29	710-0895	1		Self Tapping Screw, 1/4-15 x .75
30	731-1990	1		Lift Lever Cover
31	731-1993	1		Cover w/ Cup Holder
32	738-0155	1	S	Shoulder Screw, .437 x 1.62
33	783-0677	1	S	Lift Adjustment Bracket
34	783-0763A	1		Fender
35	783-0715	1	S	Seat Mounting Bracket
36	710-1268	1	/P	Screw, #10-16 x .375
37	712-3027	1	S	Hex Flange Lock Nut, 1/4-20
38	720-0309A	1	/P	Seat Adjuster Grip
39	731-1989	1		Spacer
?40	732-0499	1		Compression Spring, .41 x 1.5
41	736-0175	1	S	Spring Washer, .265 x .562 x .025
42	736-0204	1	/P	Flat Washer, .344 x .62 x .03
43	738-0137A	1	S	Shoulder Screw, .340 x .285, 1/4-20
44	738-1007	1		Shoulder Screw, .50 x .50, 3/8-16
45	783-0611	1		Seat Stop
46	783-0738	1	S	Seat Pivot Bracket
47	783-0739	1		Seat Adjustment Lever
48	783-0753	1		Seat Adjustment Selector
49	757-0372	1	S	Seat, Radiant Yellow w/ Drain Holes
50	735-0657	1		LH Foot Pad
51	735-0656	1		RH Foot Pad
	726-3046	1	/P	Foot Pad Clips (Not Shown)
52	731-2107	1		Shift Cover

14AY809P063 (2000)
Seat, Fender, Frame Components

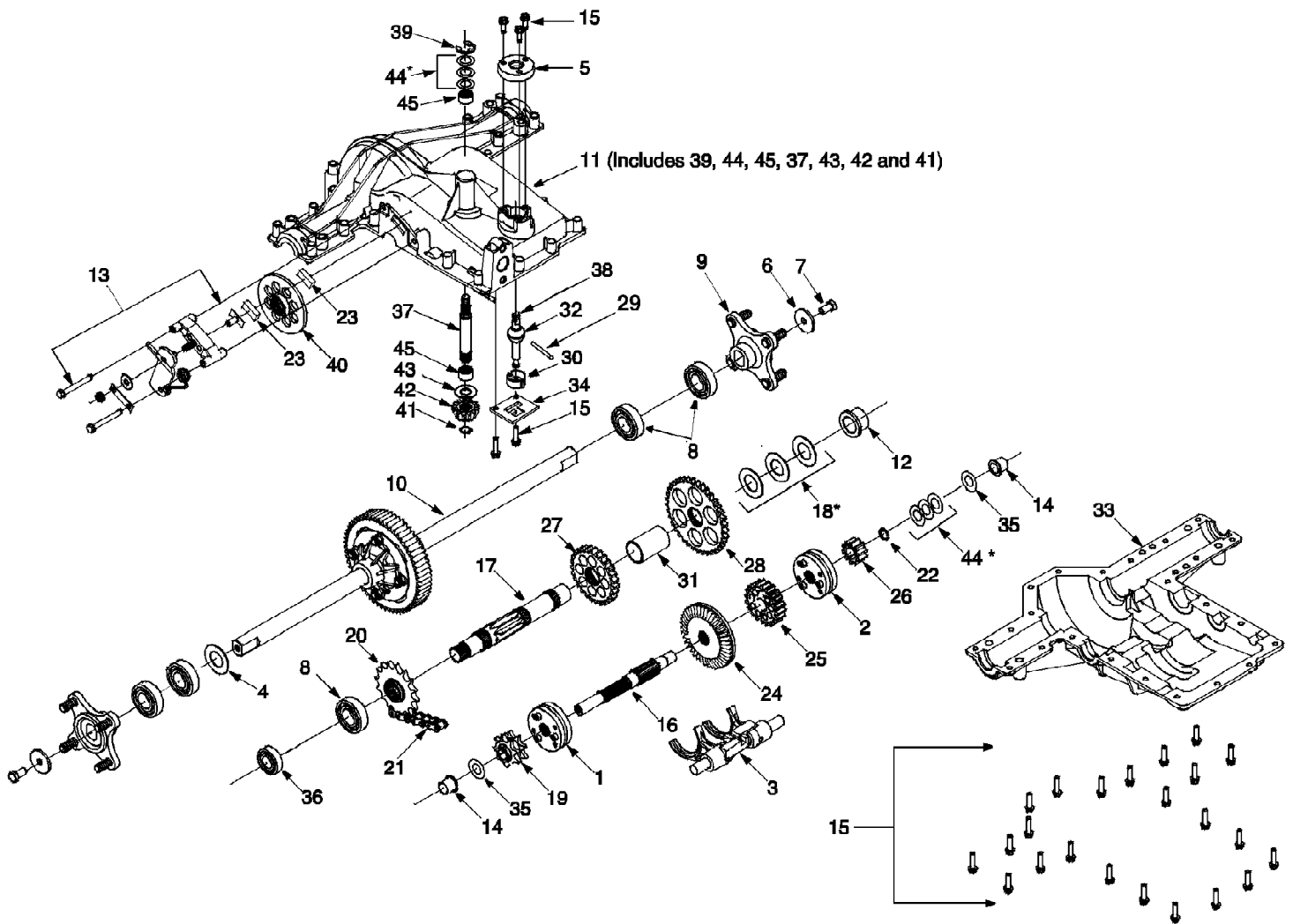
Page 17 of 23

Ref #	Part Number	Qty	S/P/F	Description
53	712-0292	1	/P	Speed Nut, 1/4-20
54	710-0924	1	/P	Phillips Screw, 1/4-20 x .75
55	631-0009	1	S	Shift Knob



Ref #	Part Number	Qty	S/P/F	Description
1	618-0225	1		Reverse Collar Assembly
2	618-0226	1		Hi-Lo Collar Assembly
3	618-0227A	1		Shift Fork Assembly
4	618-0284	1		Detent Block Assembly
5	618-0285	1		Output Bearing Block Assembly
6	618-0286	1		Output Seal Bearing Block Assembly
7	618-0287	1		Inboard Sealed Axle Block Assembly
8	618-0302	1		Inboard Sealed Axle Block Assembly
9	618-0365	1	S	Wheel Hub Assembly
10	618-0368	1	S	Differential Axle Assembly
11	719-0379A	1	S	Upper Housing
12	641-0002A	1	/P	Axle Bearing Block Assembly
13	661-0012	1	S	Brake Assembly
14	710-0642	1	/P	Self-tapping Screw, 1/4-20 x .75
15	710-0788	1	/P	Self-tapping Screw, 1/4-20 x 1.0
16	711-1051A	1	/P	Drive Shaft
17	711-1216	1		Output Shaft
18	712-1329	1	/P	Nut, 3/4-16
19	713-0446	1	S	S-tooth Sprocket
20	713-0447	1	S	16-tooth Sprocket
21	713-0448	1	S	22-link Chain, .625
22	716-0131	1	S	External Snap Ring
23	717-0678	1	S	Brake Pad
24	717-1438	1	S	41-tooth Bevel Gear
25	717-1439	1	S	20-tooth Spur Gear
26	717-1440	1		10-tooth Spur Gear
27	717-1441	1		27-tooth Spur Gear
28	717-1442	1		37-tooth Spur Gear
29	718-0500	1		Inner Axle Bearing Block
30	718-0504	1		Shifter Insert
31	718-0505	1		Shifter Cover
32	718-0537	1		Shifter Bearing Block
33	719-0385	1		Lower Housing
34	718-0540	1		Lockout Plate
35	736-0337	1	S	Flat Washer, 5/8 x 1.0
36	736-3046A	1		Flat Washer, 1.01 x 1.86 x .060
37	711-1235	1		Input Shaft
38	747-1140	1	/P	Shift Lever
?39	750-1033A	1		Spacer, 1.13 x 1.38 x 1.968
40	761-0215	1		Disc Brake
41	716-0114	1	S	Retaining Ring, .56
42	717-1463	1	S	13-tooth Bevel Gear
43	736-0335	1	S	Flat Washer
44	736-0336	1	S/F	Flat Washer, 5/8 x 1.0 x .030
	736-0337	1	S/F	Flat Washer, 5/8 x 1.0 x .040
	736-0349	1	S/F	Flat Washer, 5/8 x 1.0 x .020
46	741-0335	1	S	Needle Bearing
47	741-0696	1	/P	Needle Bearing
48	716-0231	1	S	E-ring, .75
49	618-0376	1	S	Transmission Assembly Complete
	737-0148	1	S	Grease

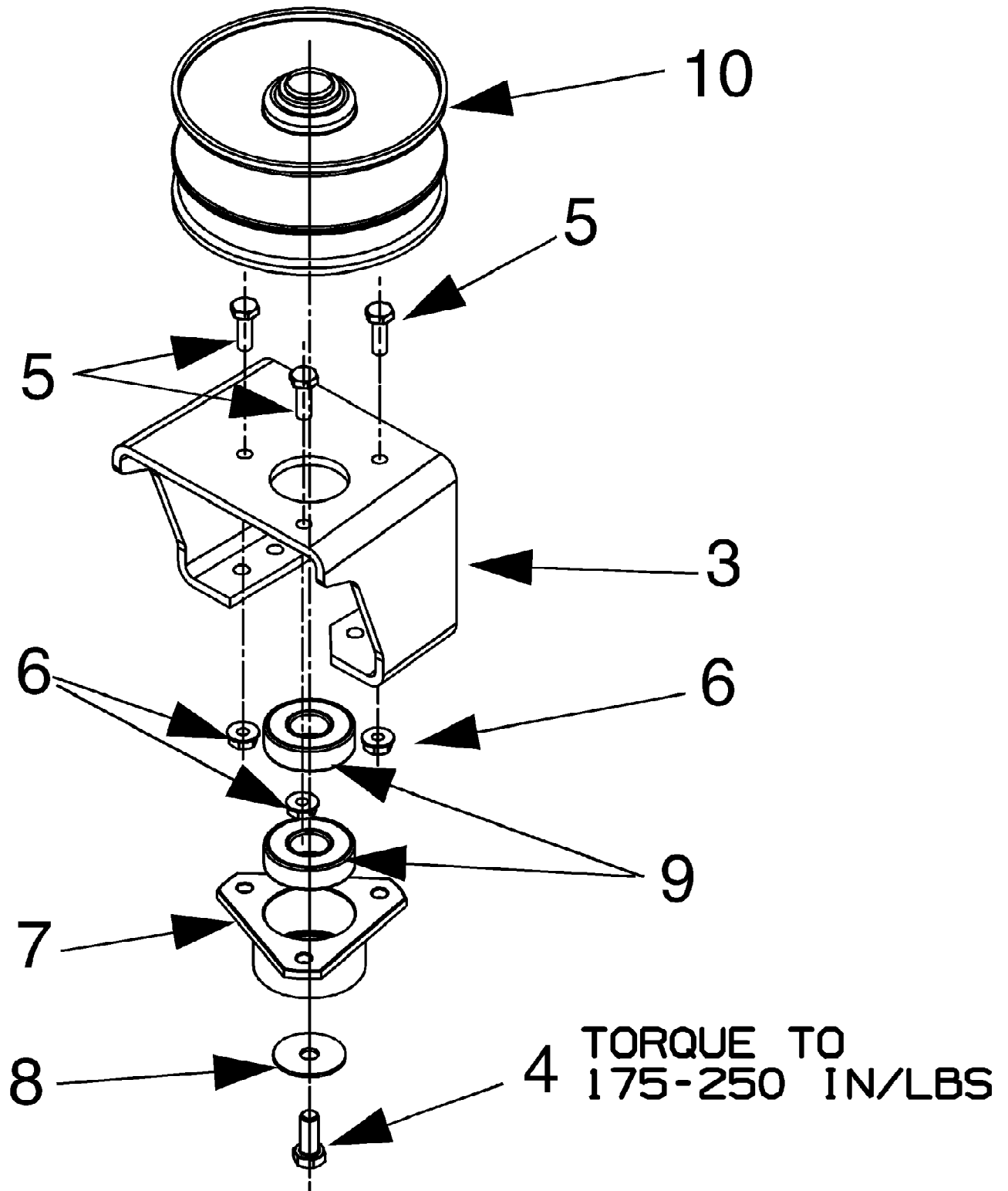
14AY809P063 (2000)
Transmission 618-0376A



14AY809P063 (2000)
Transmission 618-0376A

Page 21 of 23

Ref #	Part Number	Qty	S/P/F	Description
1	618-0225	1		Reverse Collar Assembly
2	618-0226	1		Hi-Lo Collar Assembly
3	618-04156	1	S	Shift Fork Assembly
4	736-0745	1	/P	Flat Washer, 1.01" x 1.56" x .060"
5	718-04053	1	S	Shifter Cover
6	736-0227	1	S	Flat Washer
7	710-3119	1	/P	Lock Bolt, 3/8"-16 x 0.75"
8	741-0681	1		Ball Bearing
9	618-04115	1		Wheel Hub Assembly, Double D
10	618-04142	1		Differential Axle Assembly
11	619-04081	1	S	Upper Housing Assembly
12	741-04086	1		Flanged Bearing
13	661-0012	1	S	Brake Assembly
14	741-04085	1		Flanged Bearing
15	710-0788	1	/P	Self Tapping Screw, 1/4"-20 x 1.00"
16	711-1051A	1	/P	Drive Shaft
17	711-1216	1		Output Shaft
18	736-0715	1	F	Flat Washer, 1.12" x 1.75" x .03"
19	713-0446	1	S	9-Tooth Sprocket
20	713-0447	1	S	16-Tooth Sprocket
21	713-0448	1	S	22 Link Chain, .625 P
22	716-0131	1	S	External Snp Ring
23	717-0678	1	S	Brake Pad
24	717-1438A	1	S	41-Tooth Bevel Gear
25	717-1439A	1	S	20-Tooth Spur Gear
26	717-1440	1		10-Tooth Spur Gear
27	717-04109	1		27-Tooth Spur Gear
28	717-04110	1		37 Tooth Spur Gear
29	715-04017A	1	S	Dowel Pin
30	718-0504	1		Shifter Insert
31	750-04244	1		Spacer
32	718-04066	1	S	Spherical Bearing, 1.00"
33	719-04083	1	S	Lower Housing
34	718-0540	1		Lockout Plate
35	736-0167	1	S	Flat Washer, .656" x 1.25" x .02"
36	721-04031	1	S	Oil Seal, 1.00" Shaft x 1.499" Bore
37	711-1235	1		Input Shaft
38	711-04215	1	S	Shift Lever
39	716-0231	1	S	E-Ring, .75"
40	761-0215	1		Disc Brake
41	716-0114	1	S	Retaining Ring, .56" Dia. Shaft
42	717-1463A	1	/P	13-Tooth Bevel Gear
43	736-0335	1	S	Flat Washer,
44	736-0336	1	S/F	Flat Washer, 5/8" x 1.0" x .030"
	736-0337	1	S/F	Flat Washer, 5/8" x 1.0" x .040"
	736-0349	1	S/F	Flat Washer, 5/8" x 1.0" x .020"
	736-0494	1	F	Flat Washer, 5/8" x 1.0" x .035"
	736-0495	1	S/F	Flat Washer, 5/8" x 1.0" x .025"
45	741-0335	1	S	Needle Bearing



14AY809P063 (2000)
Variable Speed Pulley

Page 23 of 23

Ref #	Part Number	Qty	S/P/F	Description
2	710-0726	4	/P	AB SCREW: 5/16-12 x 0.75 (Self-Tap)
3	618-04200	1		VARIABLE SPEED BRACKET
4	710-0627	1	/P	LOCK BOLT, 5/16"-24 x 0.75"
5	710-3015	3	/P	HEX BOLT, 1/4"-20 x 0.75"
6	712-3027	3	S	FLANGED LOCK NUT
7	718-04012	1	/P	BEARING CUP
8	736-0362	1	/P	FLAT WASHER
9	741-0600	2	S	BALL BEARING
10	656-04015	1	S	VARIABLE SPEED PULLEY