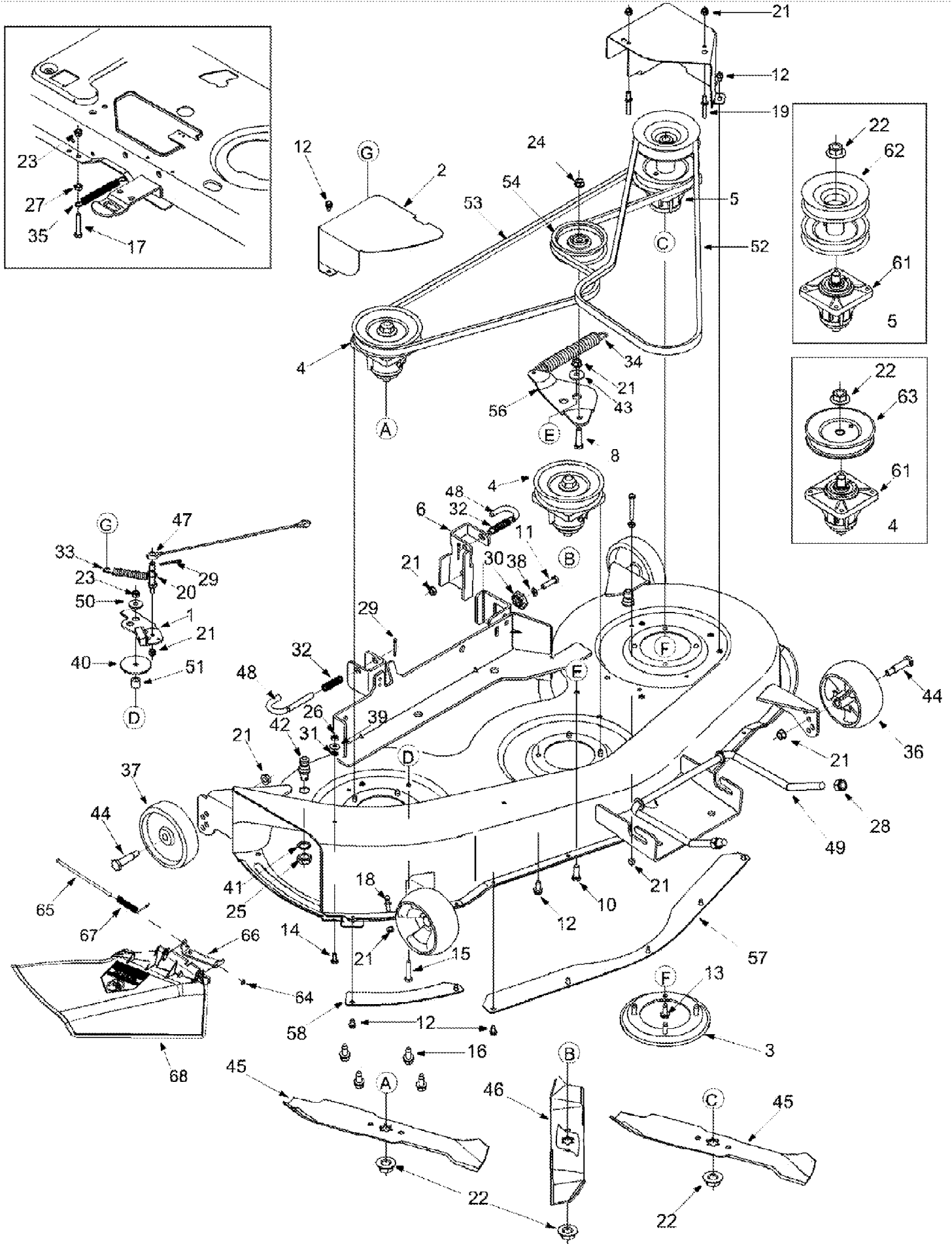


14AT809H766 Horse (2004)
Axle, Front Wheel, Steering

Page 2 of 21

Ref #	Part Number	Qty	S/P/F	Description
1	710-1260A	1	/P	Self-tapping Screw, 5/16-18 x .75
2	710-0604A	1	/P	Self-tapping Screw, 16-18 x .625
3	783-0726B	1	S	RH Pivot Support Bracket
4	783-0727A	1	S	LH Pivot Support Bracket
5	783-0728	1		Pivot Bar Bracket
6	710-0514	1	/P	Hex Cap Screw, 3/8-16 x 1
7	711-1408	1		RH Drag Link
8	711-1409A	1	/P	LH Drag Link
9	712-0240	1	S	Jam Nut, 7/16-20
10	712-0214	1	S	Hex Nut, 3/8-24
11	712-0130	1	/P	Lock Nut, 3/8-16
12	712-0459	1	/P	Flange Lock Nut, 7/16-20
13	712-3004A	1	/P	Flange Lock Nut, 5/16-18
14	717-1550E	1	S	Steering Gear, 11/90 Ratio
15	717-1554	1		Steering Pinion Gear
16	723-0448A	1	S	Ball Joint, 7/16-20
17	736-0169	1	S	Lock Washer, 3/8
18	736-3084	1	/P	Flat Washer, .51 x 1.12 x .06
19	738-1001A	1	/P	Steering Shaft, .625 OD x 24.4
20	741-0475	1	S	Plastic Bushing, .38 ID
21	741-0656	1	S	Hex Flange Bearing, 5/8
22	738-0372B	1	/P	Shoulder Spacer, .38 ID
23	731-04008	1		Steering Wheel, Soft Grip, Three Spoke
24	731-04066	1	S	Steering Wheel Cap, Round
25	638-04003	1	S	LH Axle Assembly, .75 Diameter
26	638-04004	1	S	RH Axle Assembly, .75 Diameter
27	719-0525C	1	S	Cast Iron Pivot Bar w/ Fittings, .75
29	714-0162	1	/P	Cotter Pin
30	726-0341	1	/P	Push Cap, .750
31	736-0242	1	/P	Bell Washer, .34 x .872
32	736-0316	1	S	Flat Washer, .78 x 1.59 x .06
33	736-0285	1	/P	Flat Washer, .635 x 1.589 x .06
34	738-1011	1	S	Shoulder Screw, .5 x 2.2, 3/8-16
35	710-0643	1	/P	Hex Bolt, 5/16-18 X 1
36	634-04088	1	S	Wheel Assembly Complete, 16 x 6.5 x 8
	634-04082	1	S	Rim Only w/ Plastic Bearing
	734-0255	1	S	Air Valve (Not Shown)
	734-1727	1	/P	Tire Only, Square Shoulder
	741-0516A	1	S	Flange Bearing
	741-0990A	1	S	Flange Bearing w/ Grease Fitting
37	731-2290A	1	/P	Hub Cap
38	783-0653E	1	S	Steering Support Bracket
39	738-0143	1	/P	Shoulder Screw, 3/8-16
40	736-0331	1	/P	Bell Washer, .39 x 1.13 x .062
41	710-04095	1		Hex Bolt 3/8-16 x 1.0 Special



14AT809H766 Horse (2004)
Deck Assembly

Page 4 of 21

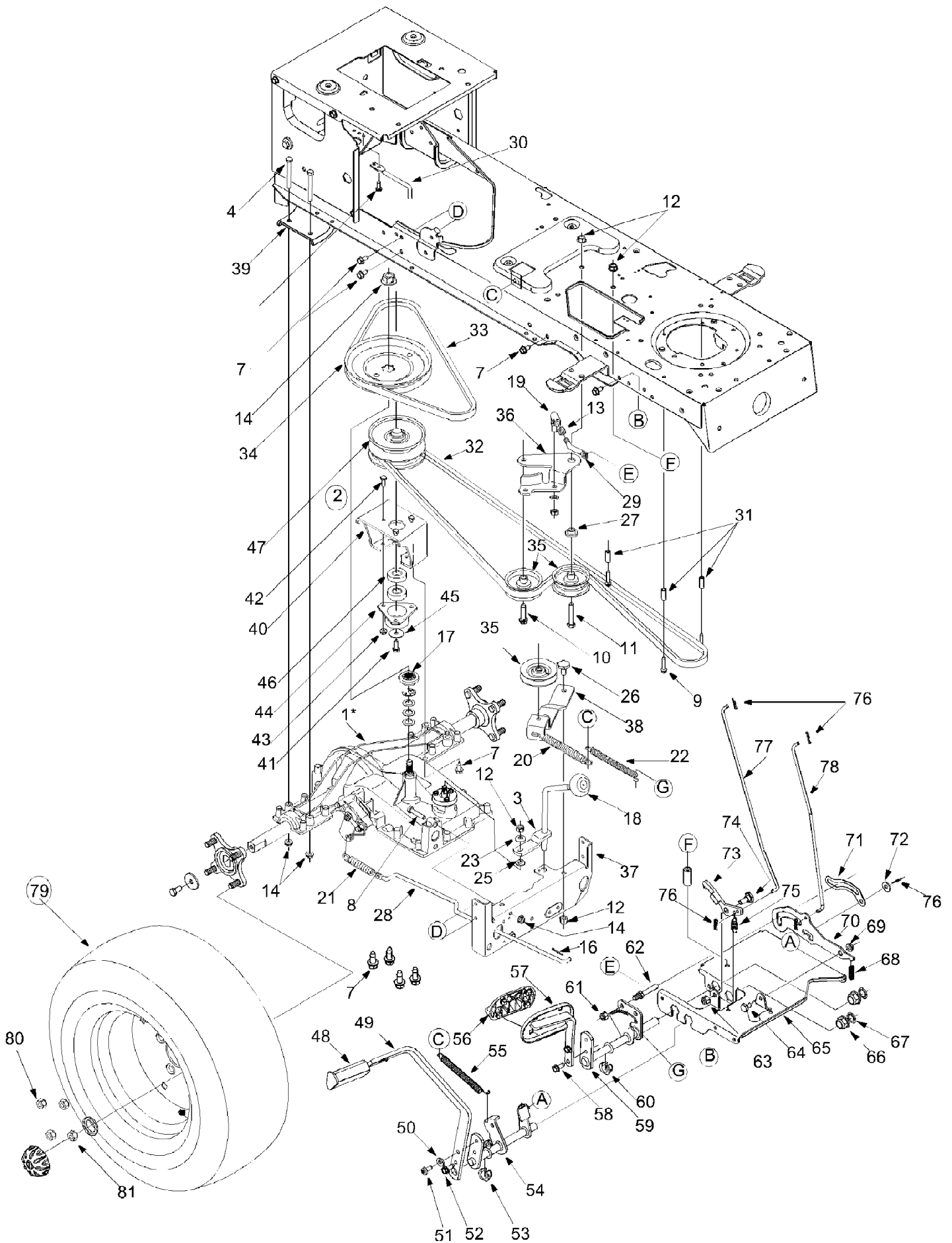
Ref #	Part Number	Qty	S/P/F	Description
1	17116	1	S	Deck Brake Assembly
2	17258D	1	/P	Belt Cover
3	17982	1	S	Spindle Plate
4	618-0430A	1	S	Spindle Assembly: Pulley w/ftg.
5	618-0595	1	S	Spindle Assembly: Double Pulley
6	683-0254	1	S	Bracket Assembly: Deck Hanger LH
7	683-04121	1		Deck Assembly 46" SD w/Nozzle
8	710-0344	1	/P	Hex Bolt 3/8-16 x 1.5
9	710-0501	1	/P	Hex Bolt 1/4-20 x 2.0
10	710-0514	1	/P	Hex Bolt 3/8-16 x 1.0
11	710-0528	1	/P	Hex Bolt 5/16-18 x 1.25
12	710-0599	1	/P	TT Screw 1/4-20 x 0.5
13	710-0650	1	/P	TT Screw 5/16-18 x 0.875
14	710-0751	1	/P	Hex Bolt 1/4-20 x 0.620
15	710-0805	1	/P	Hex Bolt 5/16-18 x 1.5
16	710-1260A	1	/P	LD Screw 5/16-18 x 0.75
17	710-3180	1	/P	Hex Bolt 5/16-18 x 1.75
18	711-04069	1	S	Grass Catcher Pin
19	711-0993	1	S	Belt Guard Pin
20	711-1554	1		Pin 1/4-20
21	712-0324	1	/P	Hex Lock Nut 1/4-20
22	712-0417A	1	/P	Flange Nut
23	712-0429	1	S	Lock Nut 5/16-18
24	712-0431	1	S	Flanged Lock Nut 3/8-16
25	712-0641	1	S	Hex Nut M16
26	712-3006	1	/P	Hex Nut 1/4-20
27	712-3010	1	S	Hex Nut 5/16-18
28	712-3083	1	/P	Lock Nut 1/2-13
29	714-0470	1	S	Cotter Pin
30	717-04074	1	S	Gear: Deck Adjustment
31	726-0233	1	/P	Push Nut
32	732-0306A	1	S	Compression Spring
33	732-0429A	1	S	Extension Spring
34	732-0594A	1	S	Extension Spring
35	732-1165	1	S	Extension Spring
36	734-04039	1	S	Deck Wheel 5.0 dia. Ball
37	734-0973	1	/P	Deck Wheel 5.0 x 1.38
38	736-0119	1	S	Lock Washer
39	736-0270	1	/P	Bell Washer
40	736-0418A	1	/P	Flat Washer
41	736-0760	1	S	Lock Washer
42	737-04003B	1	S	Water Nozzle
43	738-0347	1	S	Shoulder Spacer
44	738-0373	1	S	Shoulder Screw 3/8-16
45	742-0611A	1	S	Blade: 16.28" Three in One
46	742-0612A	1	S	Blade: 14.88" Three in One
47	746-1107	1		Cable: Bracket
48	747-1116	1	/P	Rod: Deck Release Handle
49	747-1130B	1	/P	Rod: Front Adjustment
50	748-0234	1	/P	Shoulder Spacer
51	750-1291	1		Spacer
52	754-0228	1	S	Belt: V Type
53	754-0349	1	S	Belt: V Type

14AT809H766 Horse (2004)
Deck Assembly

Page 5 of 21

Ref #	Part Number	Qty	S/P/F	Description
54	756-0627B	1	S	Idler Pulley
56	783-0139A	1	S	Idler Bracket
57	783-0141	1		Deck Skirt: Center
58	783-0142	1	S	Deck Skirt RH
60	783-1347B	1		Belt Cover
61		1		Spindle Housing Order Assembly
62	756-1214	1		Deck Pulley: Double
63	756-1187	1		Deck Pulley
64	726-0106	1	S	Speed Nut
65	711-0792	1	S	Hinge Pin
66	703-1693A	1	/P	Mounting Bracket
67	732-0602	1	S	Torsion Spring
68	731-1032B	1	S	Chute Deflector: Side Discharge

14AT809H766 Horse (2004)
Drive, Controls, Rear Wheels



14AT809H766 Horse (2004)
Drive, Controls, Rear Wheels

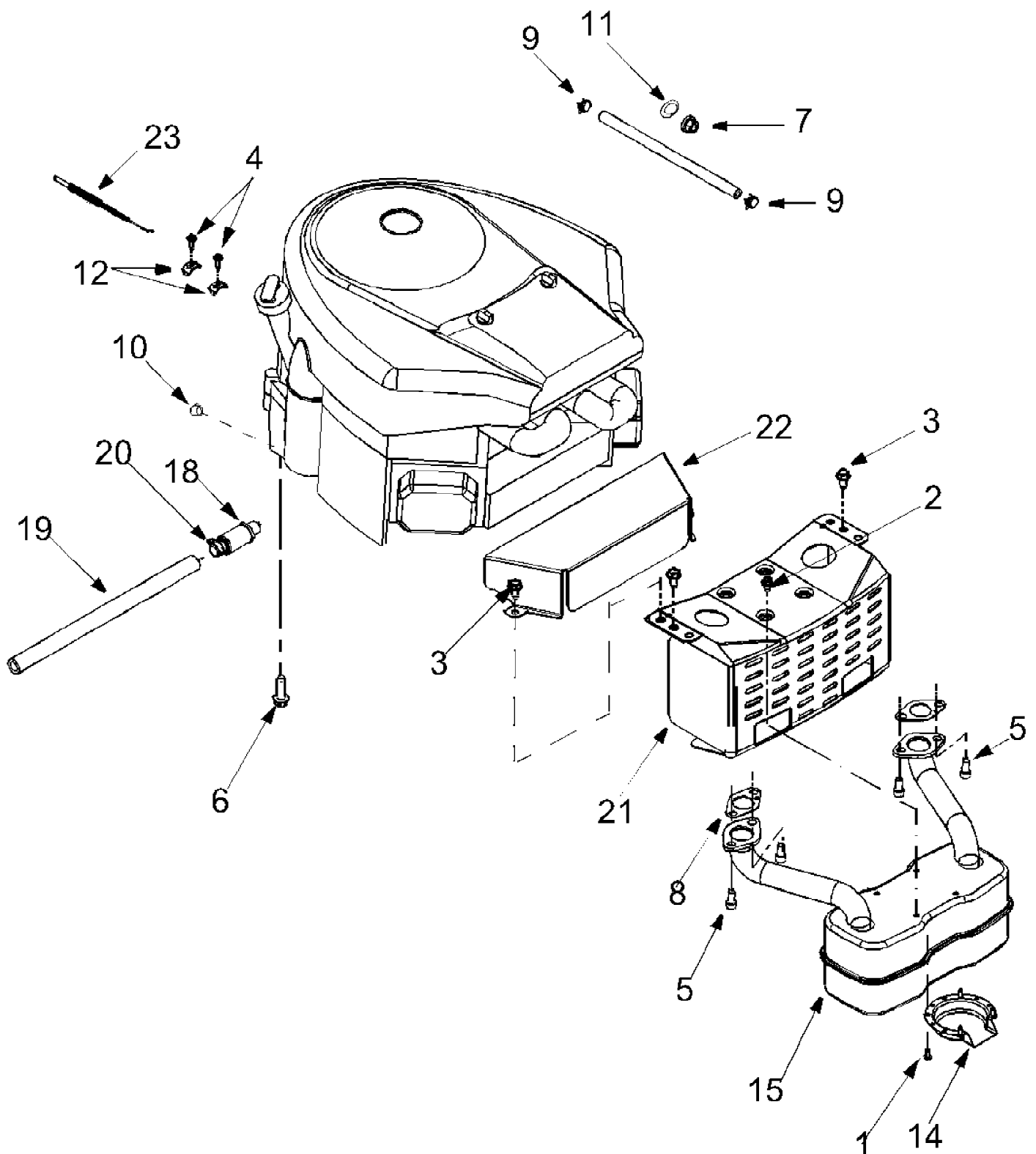
Page 7 of 21

Ref #	Part Number	Qty	S/P/F	Description
1	618-0376A	1	S	Transmission Assembly Refer to "Transmission 618-0376A"
2	618-04148	1	S	Variable Speed Pulley Assembly
3	647-04023	1	S	Shift Rod Assembly
4	710-0176	1	/P	Hex Bolt 5/16-18 x 2.75
5	710-0347	1	/P	Hex Bolt 3/8-16 x 1.75
6	710-0642	1	/P	TT Screw 1/4-20 x 0.75
7	710-0726	1	/P	AB Screw 5/16-12 x 0.75
8	710-0805	1	/P	Hex Bolt 5/16-18 x 1.5
9	710-0809	1		TT Screw 1/4-20 x 1.25
10	710-1007	1	/P	TT Sems Screw 3/8-16 x 1.5
11	710-3011	1	/P	Hex Bolt 3/8-16 x 2.25
12	712-0130	1	/P	Lock Nut 3/8-16
13	712-0241	1	/P	Hex Nut 3/8-24
14	712-0702	1	S	Flanged Nut
15	712-3004A	1	/P	Flanged Lock Nut
16	714-0111	1	S	Cotter Pin
17	718-0771A	1	S	Pulley Hub
18	720-04028	1		Shift Knob
19	723-3018	1	S	Ball Joint
20	732-0478	1	S	Extension Spring
21	732-0716	1	S	Extension Spring
22	732-0963	1		Extension Spring
23	736-0105	1	/P	Bell Washer
24	736-0169	1	S	Lock Washer 3/8
25	736-0642	1		Flat Washer
26	738-0322	1	S	Shoulder Screw
27	738-0372B	1	/P	Shoulder Spacer
28	747-04136	1		Brake Rod
29	747-1127	1		Rod: Idler Adjustment
30	747-1185	1		Rod: Belt Guard
31	750-0566A	1	/P	Spacer
32	754-0467	1	S	Belt: V Type
33	754-0468	1	S	Belt: V Type
34	756-0665	1	S	Pulley
35	756-0981A	1	S	Idler Pulley: Flat
36	783-04442	1		Idler Bracket: Center Double
37	783-0667B	1		Torque Bracket
38	783-0669	1	S	Idler Bracket
39	783-0693	1		Axle Bracket
40	618-04152	1	S	Bracket: Variable Speed
41	710-0627	1	/P	Lock Bolt 5/16-24 x 0.75
42	710-3015	1	/P	Hex Bolt 1/4-20 x 0.75
43	712-3027	1	S	Flanged Lock Nut
44	718-04012	1	/P	Cup: Bearing
45	736-0362	1	/P	Flat Washer
46	741-0600	1	S	Ball Bearing
47	656-0059A	1	S	Variable Speed Pulley
48	735-3049	1	S	Brake Pad
49	783-0773A	1		Brake Pedal
50	736-3008	1	S	Flat Washer
51	710-1611B	1	/P	TT Screw 5/16-18 x 0.75
52	710-0650	1	/P	TT Screw 5/16-18 x 0.875

14AT809H766 Horse (2004)
Drive, Controls, Rear Wheels

Page 8 of 21

Ref #	Part Number	Qty	S/P/F	Description
53	741-3065B	1	/P	Hex Flange Bearing: Split
54	647-0031C	1	S	Brake Control Assembly
55	732-0963	1		Extension Spring
56	735-0662	1		Control Pad
57	683-0266	1		Drive Pedal Assembly
58	710-1260A	1	/P	LD Screw 5/16-18 x 0.75
59	647-0032A	1	S	Speed Control Assembly
61	712-0130	1	/P	Hex Lock Nut 3/8-16
62	711-04159	1	S	Pin
64	738-0155	1	S	Shoulder Screw
65	783-0653F	1	S	Steering Support Bracket
66	741-0225	1	S	Hex Flange Bearing
67	726-04028	1		Push Nut
68	732-0335	1		Compression Spring
69	712-3004A	1	/P	Flange Lock Nut
70	783-0732	1	S	Lock-Out Bracket
71	783-0780B	1	/P	Neutral Return Bracket
72	736-0262	1	/P	Flat Washer
73	748-04039	1	S	Cruise Latch
74	738-0380	1	S	Shoulder Screw
75	732-0955	1		Extension Spring
76	714-0104	1	S	Cotter Pin
77	747-04093	1		Brake Lock Rod
78	747-04096	1		Cruise Control Rod
79	634-0104	1		Wheel Assembly
79	634-0070	1	/P	Rim Assembly Not shown
79	734-0255	1	S	Air Valve Not shown
79	734-1730	1		Tire Not shown
79	731-2290A	1	/P	Hub Cap Not shown
79	736-0430	1	/P	Flat Washer Not shown
79	618-04317	1	S	Wheel Hub Assembly, Double D Not shown
80	712-3050	1	/P	Lug Nut 7/16-14
81	712-3026	1	S	Jam Nut

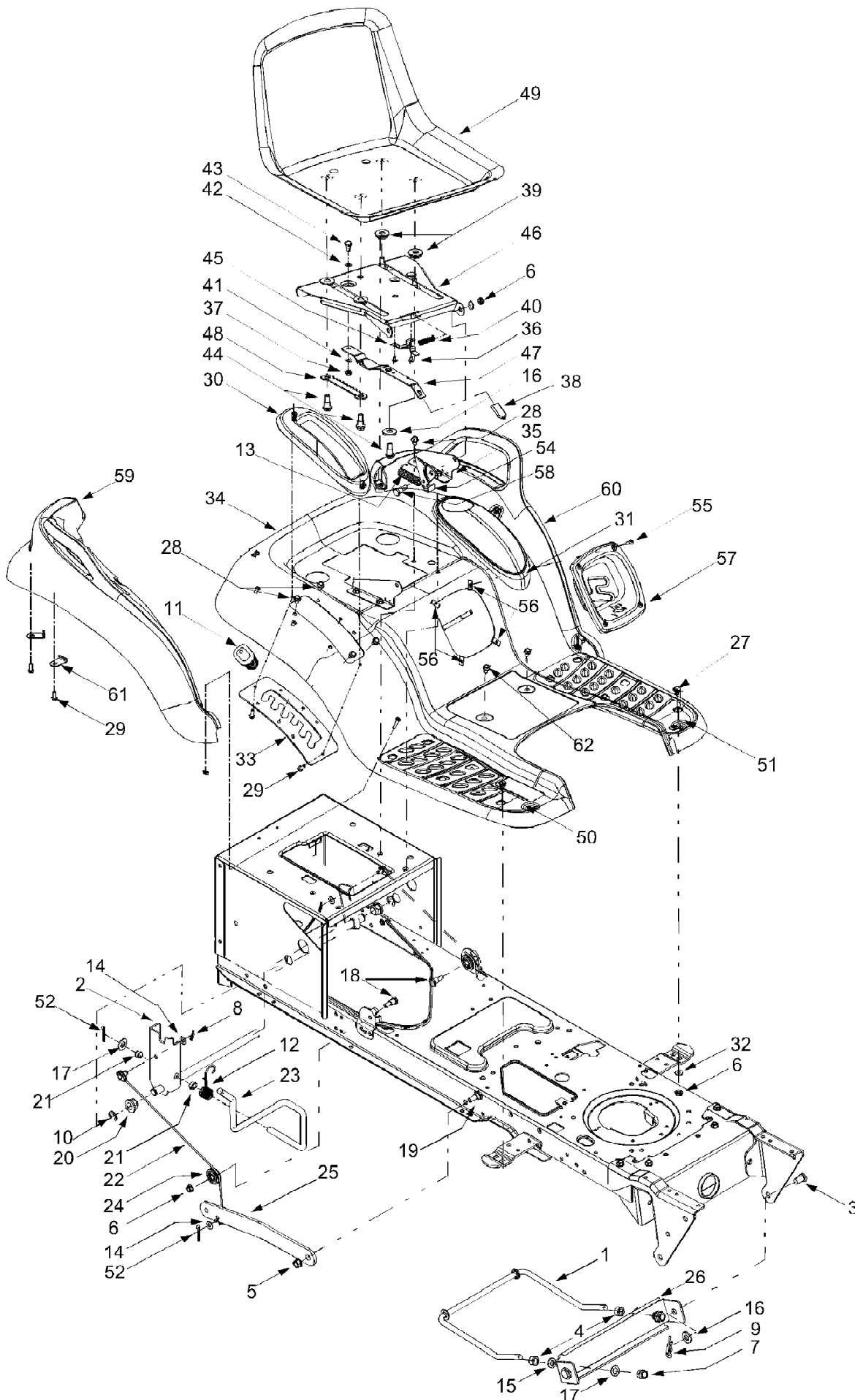


14AT809H766 Horse (2004)
Engine Accessories

Page 10 of 21

Ref #	Part Number	Qty	S/P/F	Description
1	710-0227	1	/P	Self-tapping Screw, #8-18 x .5
2	710-0599	1	/P	Self-tapping Screw, 1/4-20 x .5
3	710-0726	1	/P	AB Screw, 5/16-12 x .75
4	710-1237	1		Screw, #10-32 x .625
5	710-1314A	1	/P	Socket Cap Screw, 5/16-18 x .625
6	710-1315	1	/P	Self-tapping Screw, 3/8-16 x 1.25
7	712-3017	1	S	Hex Nut, 3/8-16
8	721-0460	1		Exhaust Gasket
9	726-0205	1	/P	Hose Clamp
10	712-0271	1	/P	Sems Nut
11	736-0300	1	S	Flat Washer
12	751B221535	1	/P	Casing Clamp
13	751-0535	1		Fuel Line Hose
14	751-0564A	1	S	Muffler Deflector
15	751-0616A	1	S	Muffler, Twin Inlet
16	751-0650A	1	S	RH Exhaust Pipe
17	751-0651A	1	S	LH Exhaust Pipe
18	751-3140	1	S	Oil Drain Valve
19	751-3141	1	S	Oil Drain Hose
20	751-3142	1		Oil Drain Cap
21	783-0615C	1	S	Muffler Heat Shield
22	783-0625C	1	/P	Engine Heat Shield
23	746-1086	1	S	Throttle Cable
24	725-0157	1	/P	Cable Tie (not shown)

14AT809H766 Horse (2004)
Fender & Seat



14AT809H766 Horse (2004)
Fender & Seat

Page 12 of 21

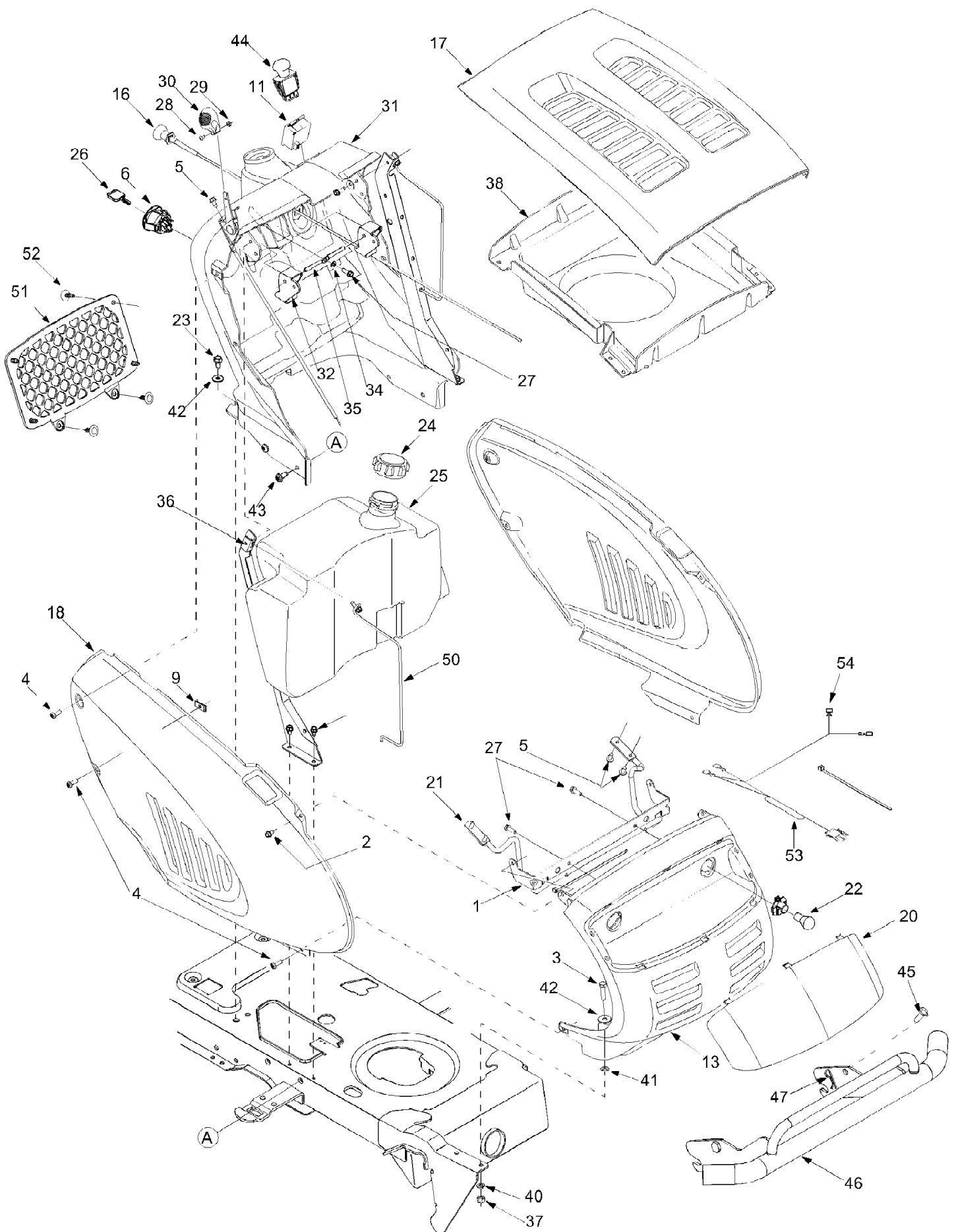
Ref #	Part Number	Qty	S/P/F	Description
1	747-1130B	1	/P	Deck Stabilizer Rod (Model T809H)
	747-1324	1		Deck Stabilizer Rod (Model Z809K)
2	683-0197B	1	S	Lift Shaft Assembly (Model T809H)
	683-0462	1	S	Lift Shaft Assembly (Model Z809K)
3	711-0332	1	S	Clevis Pin, .5 x .78
4	712-0206	1	S	Hex Nut, 1/2-13
5	712-0431	1	S	Flange Lock Nut, 3/8-16
6	712-0429	1	S	Lock Nut, 5/16-18
7	712-3083	1	/P	Hex Nut, 1/2-13
8	714-0104	1	S	Internal Cotter Pin
9	714-0145	1	S	Internal Cotter Pin
10	716-0106A	1		E-Ring
11	720-0311	1		Handle Grip
12	732-0874	1	/P	Torsion Spring
13	732-1184	1	/P	Extension Spring, .84 x 4.6
14	736-0275	1	S	Flat Washer, 5/16
15	736-0921	1	S	Lock Washer, 1/2
16	736-3019	1		Flat Washer, .31 x 1.062 x .134
17	736-3084	1	/P	Flat Washer, .51 x 1.12 x .06
18	738-0138A	1	/P	Hex Cap Screw, 5/16-18 x .62
19	738-0143	1	/P	Shoulder Screw, 3/8-16
20	741-0225	1	S	Hex Flange Bearing
21	741-0715	1	S	Snap Flange Bearing
22	746-0968	1		Lift Cable, 16.16
23	747-1111A	1	/P	Lift Handle
24	756-1154	1		Roller Pulley
25	783-0678A	1	S	Arm Lift
26	783-0720A	1	S	Deck Stabilizer Bracket
27	710-0260A	1	/P	Carriage Bolt, 5/16 x .62
28	710-0726	1	/P	AB Screw, 5/16-12 x .75
29	710-0895	1		Self-tapping Screw, 1/4-15 x .75
30	731-1990	1		Lift Lever Cover
31	731-1993	1		Cover w/ Cup Holder
32	736-3078	1	/P	Flat Washer, .349 x 1.0 x .063
33	783-0677	1	S	Lift Adjustment Bracket
34	783-04331	1		Fender
35	783-1489	1	S	Seat Mounting Bracket
36	710-1268	1	/P	Screw, #10-16 x .375
37	712-3027	1	S	Hex Flange Lock Nut, 1/4-20
38	720-0309A	1	/P	Seat Adjuster Grip
39	731-04074	1		Spacer
40	732-0499	1		Compression Spring, .41 x 1.5
41	736-0275	1	S	Spring Washer, .265 x .562 x .025
42	736-0204	1	/P	Flat Washer, .344 x .62 x .03
43	738-0137A	1	S	Shoulder Screw, .340 x .285, 1/4-20
44	738-1007	1		Shoulder Screw, .50 x .50, 3/8-16
45	783-0611	1		Seat Stop
46	783-0738	1	S	Seat Pivot Bracket
47	783-0739	1		Seat Adjustment Lever
48	783-0753	1		Seat Adjustment Selector
49	757-04010	1	S	High Back Seat, Black
50	735-0656	1		RH Foot Pad
51	735-0657	1		LH Foot Pad

14AT809H766 Horse (2004)
Fender & Seat

Page 13 of 21

Ref #	Part Number	Qty	S/P/F	Description
	726-3046	1	/P	Foot Pad Clips
52	714-0111	1	S	Cotter Pin
54	783-0209C	1	S	Seat Lift Bracket
55	710-0924	1	/P	Phillips Pan Screw, 1/4-20 x .75
56	712-0292	1	/P	U-type Speed Nut, 1/4-20
57	731-2480	1	S	Shift Lever Cover
58	738-0296	1	S	Shoulder Screw, .437 x .286
59	731-2618	1		RH Fender Flare
60	731-2619	1		LH Fender Flare
61	783-1478	1		Fender Clips
62	710-0599	1	/P	TT Screw 1/4-20 x 0.5

14AT809H766 Horse (2004)
Hood & Electrical



14AT809H766 Horse (2004)
Hood & Electrical

Page 15 of 21

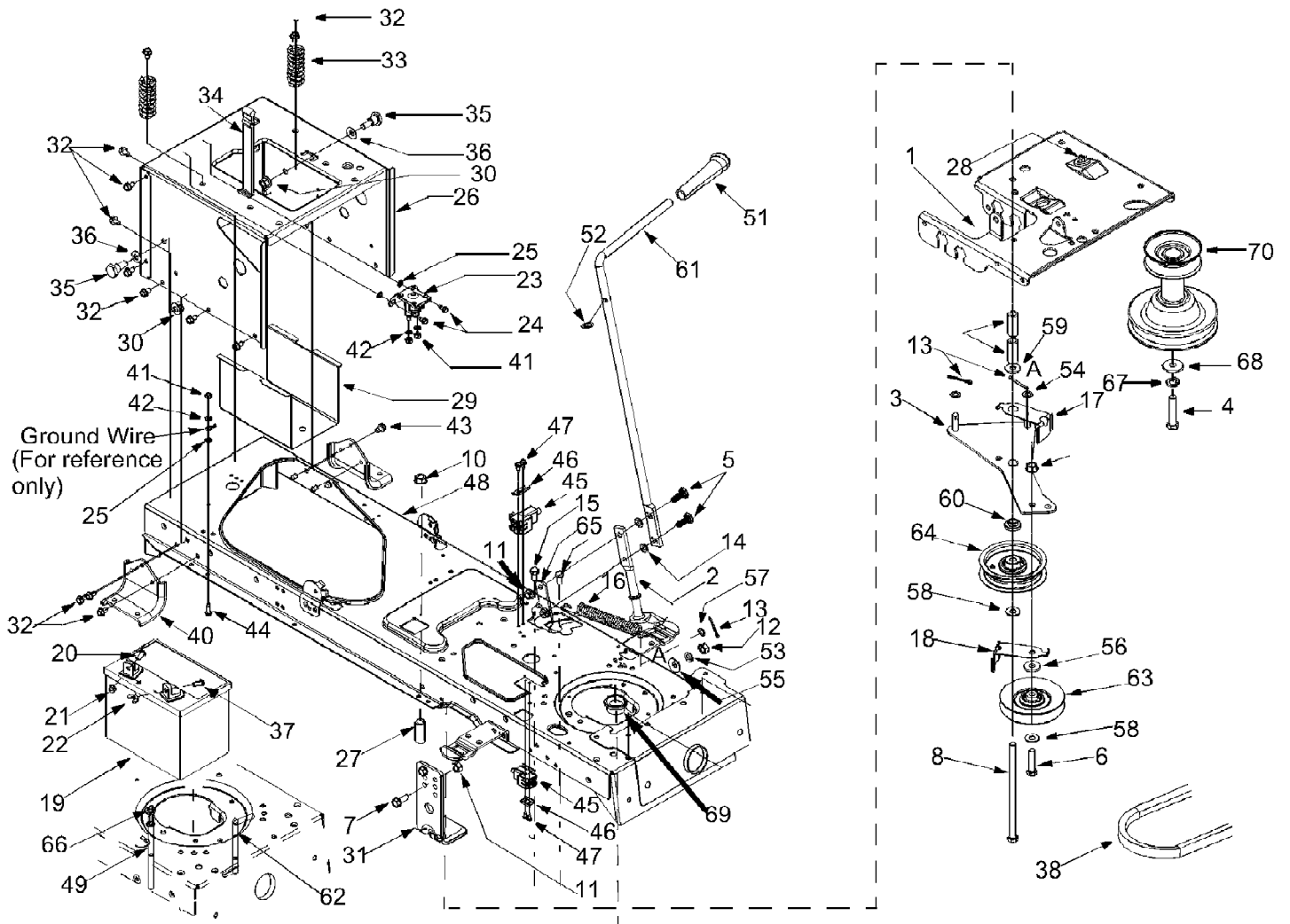
Ref #	Part Number	Qty	S/P/F	Description
1	783-1346	1	S	Grill Support Bracket (9-style)
2	710-0599	1	/P	Self-tapping Screw, 1/4-20 x .5
3	710-0528	1	/P	Hex Cap Screw, 5/16-18 x 1.25
4	710-0924	1	/P	Phillips Pan Screw, 1/4-20 x .75
5	710-1017	1	/P	Truss Phillips Screw, 1/4-20 x .625
6	725-1741	1	S	Ignition Switch
7	726-0272	1	/P	Clamp, 9/16
8	710-0642	1	/P	Self-tapping Screw, 1/4-20 x .75
9	712-0292	1	/P	U-type Speed Nut, 1/4-20
10	736-0270	1	/P	Bell Washer, .265 x .75 x .062
11	725-1976	1	S	Systems Indicator Monitor
	725-04036A	1	S	Hour Meter
12	712-3004A	1	/P	Hex Nut, 5/16-18
13	731-2119A	1	S	Grille (9-style)
15	725-0175	1		Cable Tie, 3/16 x .05 x 7.4
16	746-1085A	1	S	Choke Knob/Cable
17	783-0783	1	S	Hood (9-style)
18	783-0784	1		RH Side Panel
19	783-04200	1		LH Side Panel
20	731-2637	1	S	Headlight Lens
21	747-2138	1	/P	Hood Hinge Rod
22	625-0051	1	S	Headlight Assembly
23	710-0726	1	/P	AB Screw, 5/16-12 x .75
24	751-0603	1	S	Fuel Cap
25	751-3213A	1	S	Fuel Tank, 3 gallon
26	725-1745	1	S	Ignition Key w/ plastic cover
	725-1744	1	S	Ignition Key w/o plastic cover
27	710-0895	1		Self-tapping Screw, 1/4-15 x .75
28	710-3217	1	/P	Truss Phillips Screw, #8-32 x .375
29	712-0142	1	/P	Hex Nut, #8-32
30	731-1857	1		Throttle Control Knob
31	731-2225C	1	S	Dash Panel, 8/9-style, Electric PTO
32	731-04215	1	S	Cruise Control Button
33	731-04217	1	S	Parking Brake Button
34	736-0142	1	S	Flat Washer, 9/32 x 1/2 x 1/16
35	747-1196	1		Brake/Cruise Pivot Rod
36	783-04285	1	S	Dash Support Plate RH
	783-04383	1		Dash Support Plate LH
37	712-3010	1	S	Hex Nut, 5/16-18
38	731-2270	1	S	Hood Plenum Not standard on all tractors.
39	726-3046	1	/P	Ratchet Clip
40	736-0119	1	S	Lock Washer, 5/16
41	726-0201	1		Speed Nut, .3125
42	736-3078	1	/P	Flat Washer, .349 x 1.0 x .063
43	710-0650	1	/P	TT Screw, 5/16-18 x .875
44	725-1752	1	S	Electric PTO Switch
45	711-0332	1	S	Clevis Pin, .50 x .78
46	768-0010	1	S	Bumper Assembly
47	714-0145	1	S	Click Pin
48	710-1611B	1	/P	TT Screw 5/16-18 x 0.75
49	735-04019	1	S	Seal: Panel
50	747-04132	1	S	Tank Support Rod
51	735-04023	1		Cargo Net

14AT809H766 Horse (2004)
Hood & Electrical

Page 16 of 21

Ref #	Part Number	Qty	S/P/F	Description
52	726-3046	1	/P	Ratchet Clip
53	629-04083	1	S	Headlight Wire Harness
54	629-04073	1	S	Tractor Wire Harness

14AT809H766 Horse (2004)
PTO, Battery, Frame



14AT809H766 Horse (2004)
PTO, Battery, Frame

Page 18 of 21

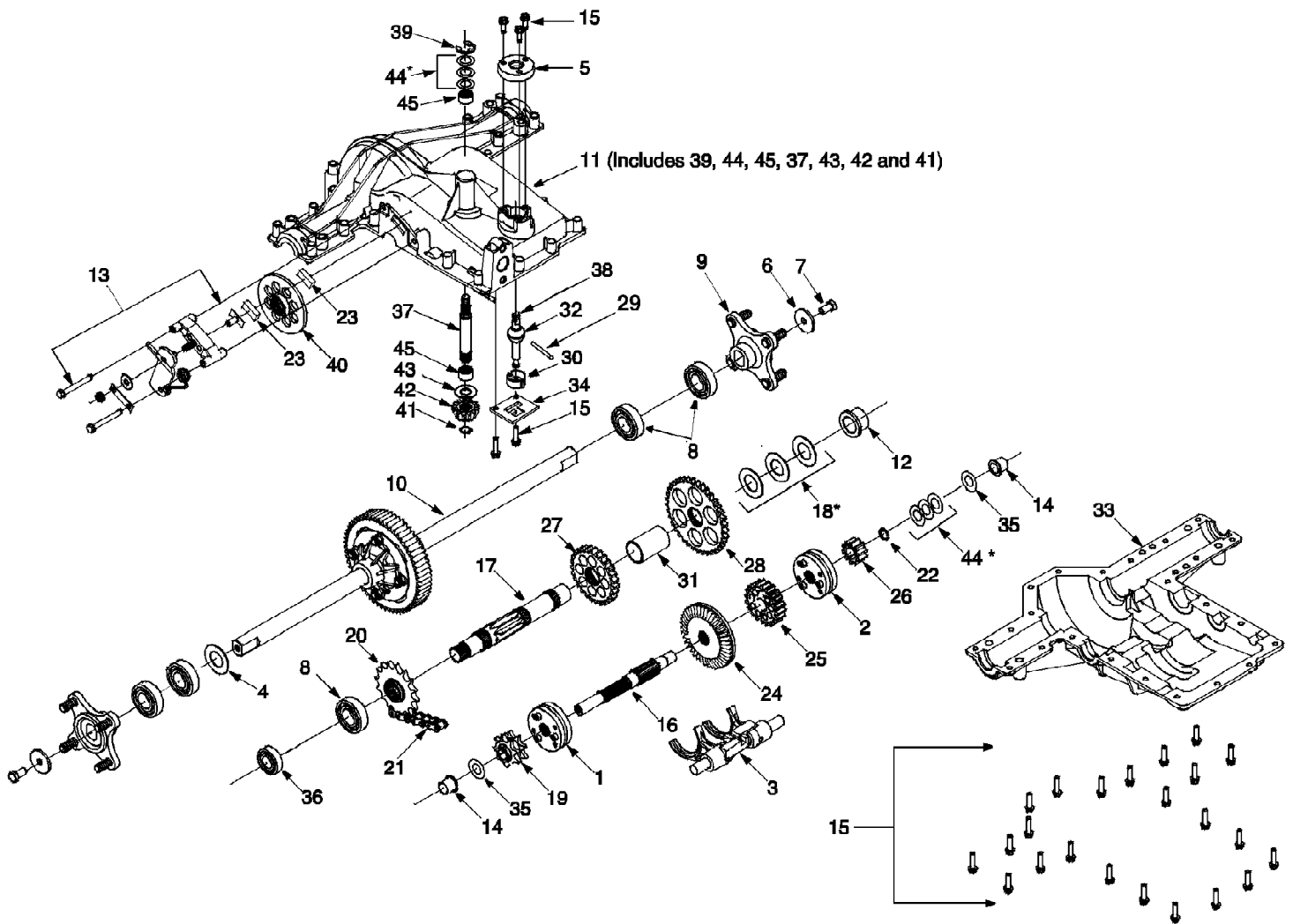
Ref #	Part Number	Qty	S/P/F	Description
1	783-0653E	1	S	Steering Support Bracket
2	647-0064	1	/P	PTO Lever Engagement Assembly
3	683-04060	1	S	Engagement Plate Assembly
4	710-1002	1	/P	Hex Bolt 7/16-20 x 2.0
5	710-0276	1	/P	Carriage Screw 5/16-18 x 1.0
6	710-0344	1	/P	Hex Screw 3/8-16 x 1.5
7	710-0726	1	/P	AB Screw, 5/16-12 x .75
8	710-3261	1		Hex Screw 3/8-16 x 7.0
10	712-0431	1	S	Flange Lock Nut
11	712-3004A	1	/P	Flange Lock Nut
12	712-3010	1	S	Hex Nut
13	714-0470	1	S	Cotter Pin
14	726-0201	1		Speed Nut
15	710-3025	1	/P	Hex Cap Screw 5/16-18 x .625
16	732-0944	1		Extension Spring
17	732-0991A	1	/P	Belt Guard
18	732-1013	1		Belt Guard
19	725-1706	1	S	12 V Battery
20	710-0751	1	/P	Hex Cap Screw, 1/4-20 x .62
21	712-0271	1	/P	Hex Sems Nut, 1/4-20
22	712-3087	1	/P	Wing Nut, 1/4-20
23	725-1426	1	S	Solenoid, 12-Volt, 100 Amp
24	710-0599	1	/P	Self Tapping Screw, 1/4-20 x .5
25	736-0222	1	S	Lock Washer, 1/4
26	783-1033A	1	/P	Hitch Plate
27	748-0415B	1	/P	Spacer
28	741-0708	1		Hex Split Flange Bearing
29	783-0349	1		Battery Tray
30	712-0459	1	/P	Flange Lock Nut, 7/16-20
31	783-04467	1		Deck Stop
32	710-0604A	1	/P	Self Tapping Screw, 5/16-18 x .625
33	732-3080	1	S	Compression Spring, 1.28 x 3.5
34	723-0444	1		Battery Strap
35	738-1020	1		Shoulder Screw, .625 x .5, 7/16-20
36	736-0407	1		Bell Washer, .45 x 1.0 x .062
37	738-1132	1		Shoulder Screw
38	754-0228	1	S	PTO Belt
40	783-0693	1		Axle Bracket
41	712-3006	1	/P	Hex Nut 1/4-20
42	736-0329	1	S	Lock Washer
43	710-0607	1	/P	TT Screw 5/16-18 x 0.5
44	710-0642	1	/P	TT Screw 1/4-20 x 0.75
45	725-1657A	1	S	Switch
46	17962	1		Switch Plate
47	710-0224	1	S	AB Screw #10-16 x 0.5
48	683-0304C	1		Lower Frame Assembly
49	711-1428	1	S	Belt Guard Pin
50	712-0229	1		Push Nut Retainer
51	731-2111A	1	S	PTO Knob
52	736-0108	1	S	Flat Washer
53	736-0119	1	S	Lock Washer
54	736-0140	1	S	Flat Washer
55	736-0242	1	/P	Bell Washer

14AT809H766 Horse (2004)
PTO, Battery, Frame

Page 19 of 21

Ref #	Part Number	Qty	S/P/F	Description
56	736-0258	1	/P	Flat Washer
57	736-0275	1	S	Flat Washer
58	736-0300	1	S	Flat Washer
59	736-3072	1	/P	Flat Washer
60	738-0372B	1	/P	Shoulder Spacer
61	747-1112D	1	S	Deck Engagement Handle
62	747-1243	1	/P	Belt Keeper Rod
63	756-0487	1	/P	Idler Pulley
64	756-0627B	1	S	Idler Pulley
65	783-0744A	1		Bracket
66	736-0119	1	S	Lock Washer
67	736-0171	1	S	Lock Washer
68	736-0322	1	/P	Flat Washer
69	750-0956	1		Spacer
70	756-1182A	1	/P	Engine Pulley

14AT809H766 Horse (2004)
Transmission 618-0376A



14AT809H766 Horse (2004)
Transmission 618-0376A

Page 21 of 21

Ref #	Part Number	Qty	S/P/F	Description
1	618-0225	1		Reverse Collar Assembly
2	618-0226	1		Hi-Lo Collar Assembly
3	618-04156	1	S	Shift Fork Assembly
4	736-0745	1	/P	Flat Washer, 1.01" x 1.56" x .060"
5	718-04053	1	S	Shifter Cover
6	736-0227	1	S	Flat Washer
7	710-3119	1	/P	Lock Bolt, 3/8"-16 x 0.75"
8	741-0681	1		Ball Bearing
9	618-04317	1	S	Wheel Hub Assembly, Double D
10	618-04142	1		Differential Axle Assembly
11	619-04081	1	S	Upper Housing Assembly
12	741-04086	1		Flanged Bearing
13	661-0012	1	S	Brake Assembly
14	741-04085	1		Flanged Bearing
15	710-0788	1	/P	Self Tapping Screw, 1/4"-20 x 1.00"
16	711-1051A	1	/P	Drive Shaft
17	711-1216	1		Output Shaft
18	736-0715	1		Flat Washer, 1.12" x 1.75" x .03"
19	713-0446	1	S	9-Tooth Sprocket
20	713-0447	1	S	16-Tooth Sprocket
21	713-0448	1	S	22 Link Chain, .625 P
22	716-0131	1	S	External Snp Ring
23	717-0678	1	S	Brake Pad
24	717-1438A	1	S	41-Tooth Bevel Gear
25	717-1439A	1	S	20-Tooth Spur Gear
26	717-1440	1		10-Tooth Spur Gear
27	717-04109	1		27-Tooth Spur Gear
28	717-04110	1		37 Tooth Spur Gear
29	715-04017A	1	S	Dowel Pin
30	718-0504	1		Shifter Insert
31	750-04244	1		Spacer
32	718-04066	1	S	Spherical Bearing, 1.00"
33	719-04083	1	S	Lower Housing
34	718-0540	1		Lockout Plate
35	736-0167	1	S	Flat Washer, .656" x 1.25" x .02"
36	721-04031	1	S	Oil Seal, 1.00" Shaft x 1.499" Bore
37	711-1235	1		Input Shaft
38	711-04215	1	S	Shift Lever
39	716-0231	1	S	E-Ring, .75"
40	761-0215	1		Disc Brake
41	716-0114	1	S	Retaining Ring, .56" Dia. Shaft
42	717-1463A	1	/P	13-Tooth Bevel Gear
43	736-0335	1	S	Flat Washer,
44	736-0336	1	S	Flat Washer, 5/8" x 1.0" x .030"
44	736-0337	1	S	Flat Washer, 5/8" x 1.0" x .040"
44	736-0349	1	S	Flat Washer, 5/8" x 1.0" x .020"
44	736-0494	1		Flat Washer, 5/8" x 1.0" x .035"
44	736-0495	1	S	Flat Washer, 5/8" x 1.0" x .025"
45	741-0335	1	S	Needle Bearing
	618-0376A	1	S	Transmission Complete Not shown
	737-0148	1	S	Grease, "O" Not shown